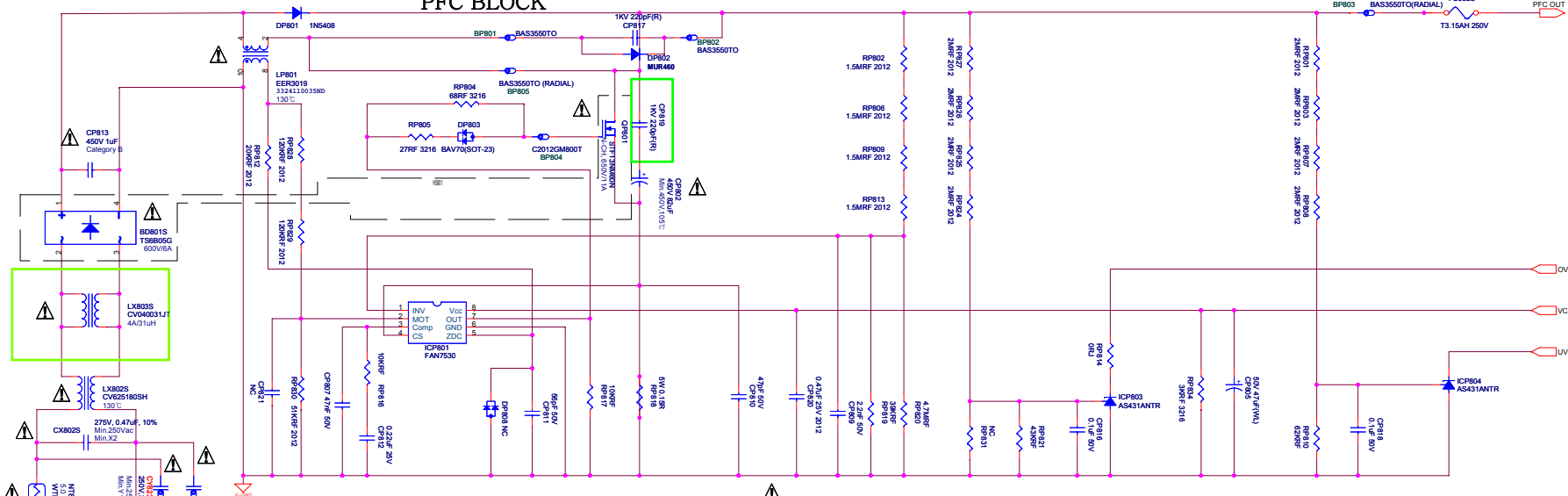
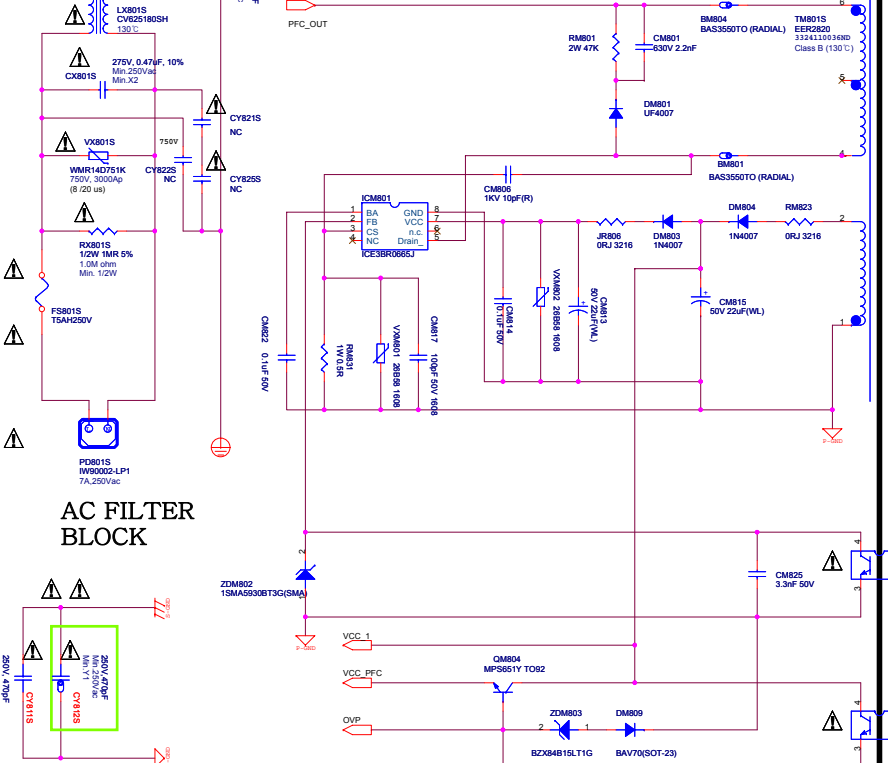


# I26HD\_AHS 1.1 R.B

## PFC BLOCK

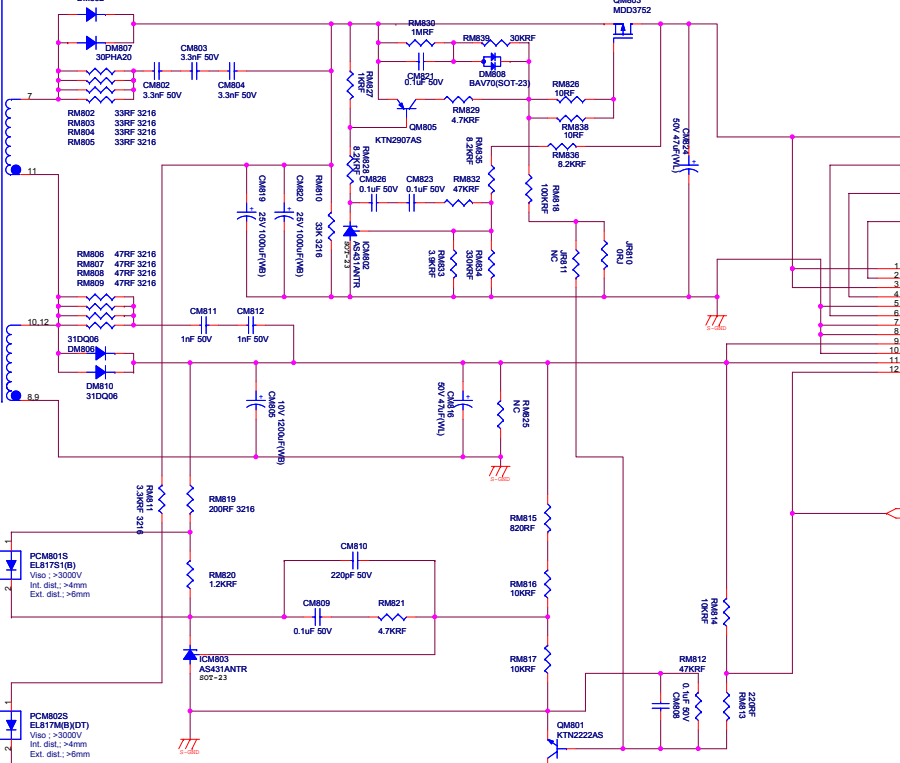


## STAND BY & Multi BLOCK

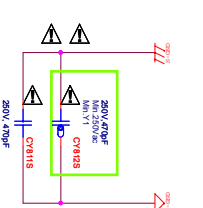


## HOT

## COLD

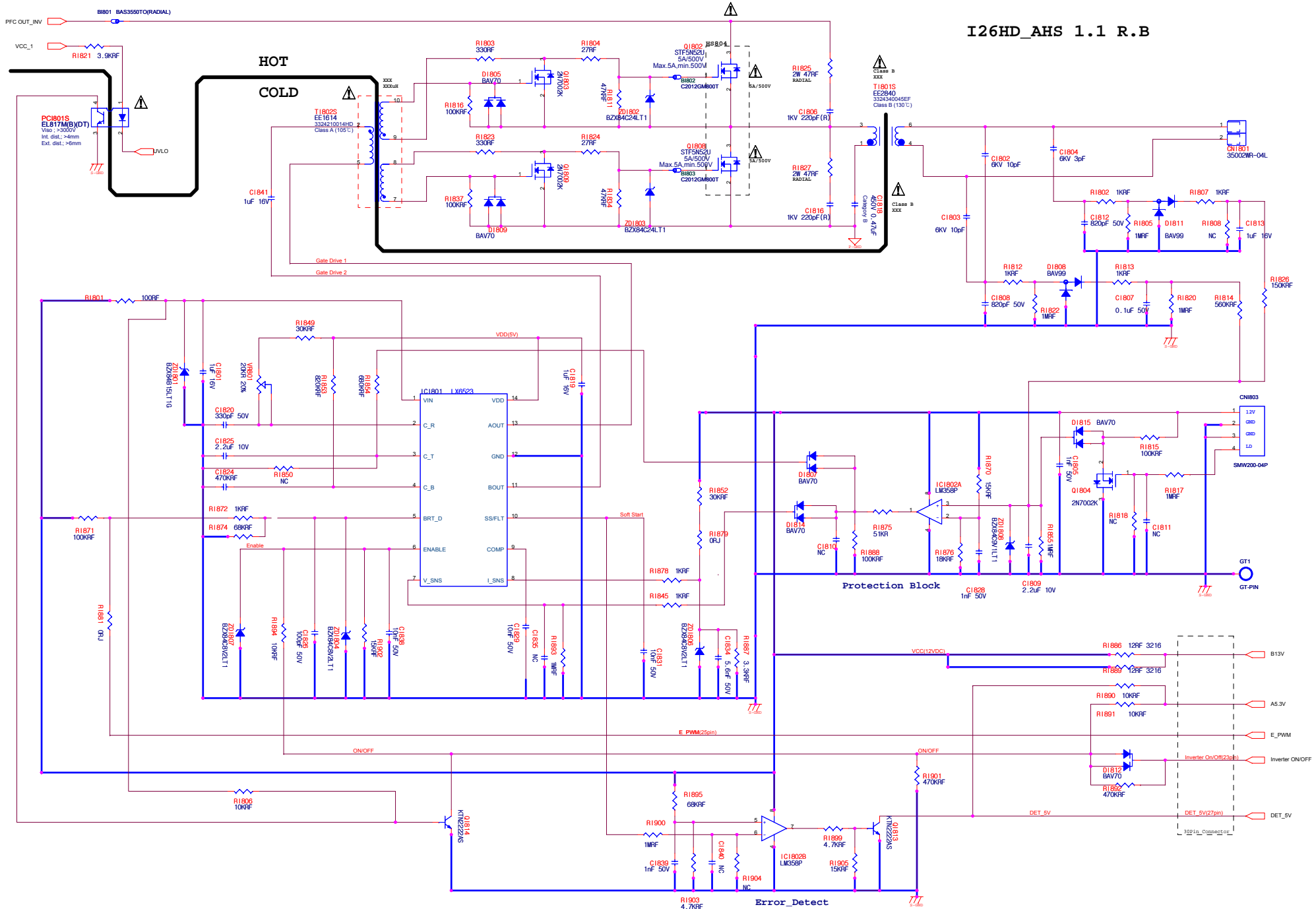


## AC FILTER BLOCK



\*\* NC : No Connection  
 \*\* No marking resistor 1608 1% 500  
 \*\* No marking capacitor 1608 x78 500

File		
I26HD_AHS(Power Block)		
Size	Document Number	Rev
A2	BN44-00368B	1.1
Date:	Thursday, January 28, 2010	Sheet 1 of 1



I26HD\_AHS 1.1 R.B

\*\* NC : No Connection  
 \*\* No marking resistor 1608 1% 500  
 \*\* No marking capacitor 1608 X7R 500

Title			I26HD_AHS
Size			A2
Document Number			BN44-003688
Date	Thursday, January 28, 2010	Sheet	1 of 1