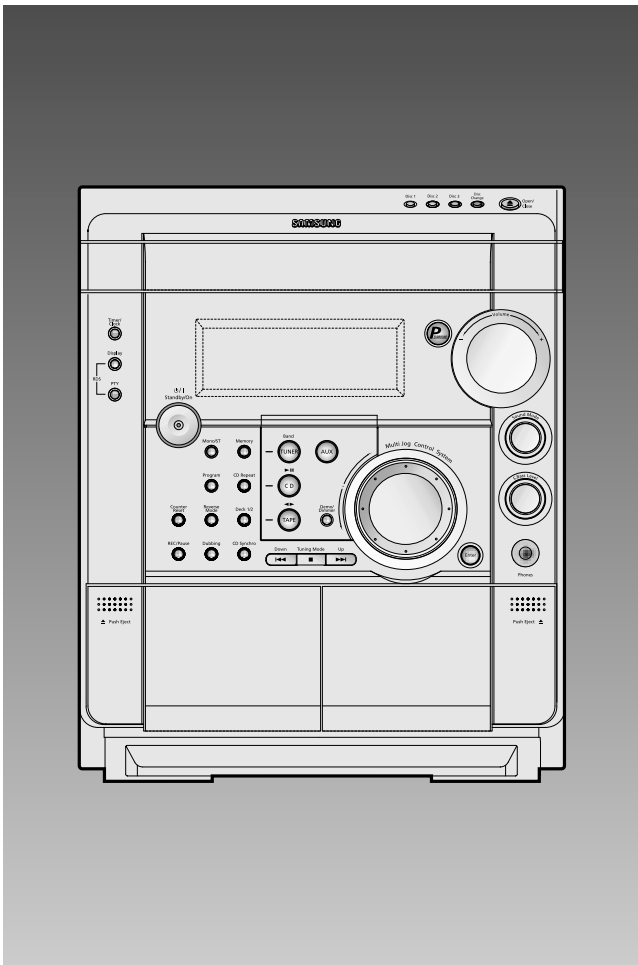




3 CD CHANGER MINI MINI COMPONENT MAX-S720/S720S/S725 MAX-ZS720/ZS720G

SERVICE *Manual*

MIMI MIMI COMPONENT SYSTEM



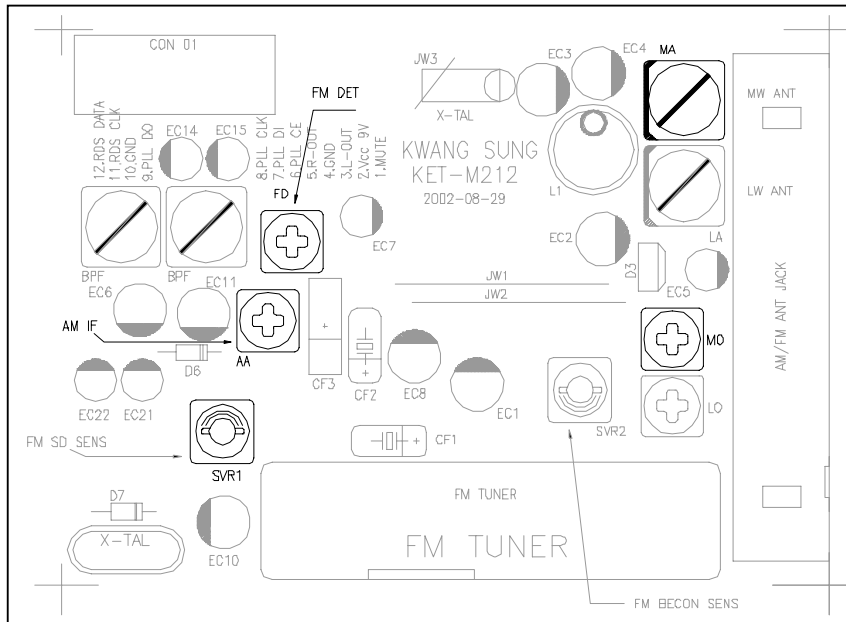
CONTENTS

1. Alignment and Adjustments
2. Exploded Views and Parts List
3. Electrical Parts List
4. Block Diagrams
5. PCB Diagrams
6. Wiring Diagram
7. Schematic Diagrams

- Confidential -

1. Alignment and Adjustments

1-1. Tuner



* Adjustment Location of Tuner PCB

ITEAM	AM(MW) OSC Adjustment	AM(MW) RF Adjustment	LW OSC Adjustment	LW RF Adjustment
Received FREQ.	522~1611 KHz	594 KHz	146~290 KHz	150 KHz
Adjustment point	MO	MA	LO	LA
Output	1~7.0±0.5V	Maximum Output(Fig1-4)	2~7.0±0.5V	Maximum Output(Fig1-4)

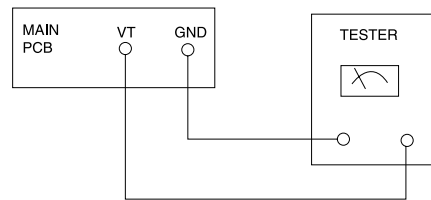


Fig 1-4 OSC Voltage

FM THD Adjustment	
SSG FREQ.	98 MHz
Adjustment point (FM DET)	FM DETECTOR COIL
Output	60 dB
Minimum Distortion (0.4% below) (Figure 1-1)	

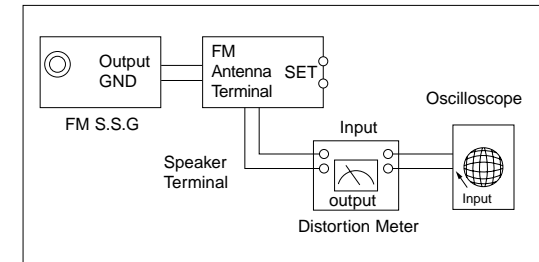


Figure1-1 IF CENTER and THD Adjustment

FM Search Level Adjustment	
SSG FREQ.	98 MHz
Adjustment point (SVR1)	BEACON SENSITIVITY SEMI-VR(10KΩ)
Output	28 dB(±2dB)
Adjust SVR1 (Figure 1-2)	

*Adjust FM S.S.G level to 28dB

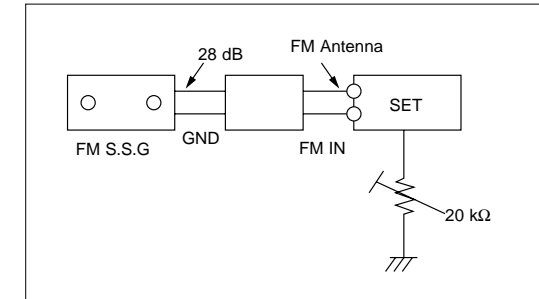


Figure1-2 FM Auto Search Level Adjustment

AM(MW) I.F Adjustment	
SSG FREQ.	450 kHz
Frequency	522 kHz
Adjustment point	AM IF
Maximum output (Figure 1-3)	

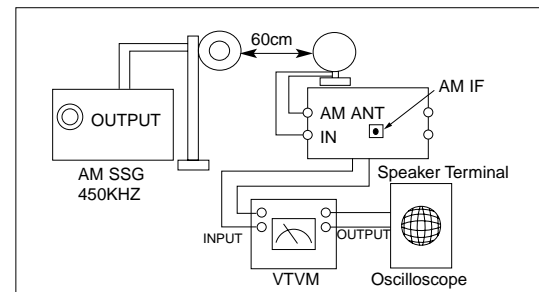


Figure1-3 AM I.F Adjustment

1-1-2 AM(MW),LW,SW1,SW2 Adjustment

	Circuit to be Adjusted	Measuring Instrument & Arrangement	Step	S.S.G Frequency	Radio dial Setting	Adjusting Point	Adjust for
AM (MW)	OSC	Connect AM signal generator to loop antenna,VTVM AND oscilloscope (Fig 1-3)	1	522KHz	522KHz	MW OSC	Adjust for 1.0V±0.1V at the low. (IR117)
			2	1611KHz	1611KHz	MW OSC	Check for 7.0V±1.0V at the high. (IR117)
	RF	"	1	594KHz	594KHz	MW ANT	Maximum out
	INTER FREQ	"	1	455KHz	522KHz	TL2	Maximum out
LW	OSC	Fig 1-3	1		146KHz	LW OSC	Adjust for 2.0V±0.1V at the low.
			2		290KHz	LW OSC	Check for 7.0V±1.0V at the high.
	RF		1	150KHz	150KHz	LW ANT	Maximum out
SW1	OSC	Fig 1-3	1		2.3MHz	SW1 OSC	Adjust for 1.0V±0.1V at the low.
			2		7.3MHz	-	Check for 8.5V±1.0V at the high.
	RF		1	3.5MHz	3.5MHz	SW1 ANT	Maximum out
SW2	OSC	Fig 1-3	1		9.5MHz	SW2 OSC	Adjust for 1.5V±0.1V at the low.
			2		26.1MHz	-	Check for 8.0V±1.0V at the high.
	RF		1	10MHz	10MHz	SW2 ANT	Maximum out

2. Cassette Deck

2-1. To Adjust Tape Speed

Notes

- Measuring tape: i) MTT-111 (or equivalent) (Tapes recorded with 3kHz)
ii) MTT-5512 (or equivalent)
- Connect the SPK OUT of the MAIN PCB to the frequency counter as in figure 1-5.

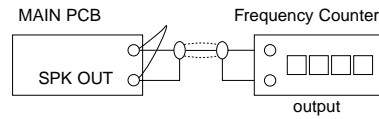


Figure 1-5

Step	Item	Pre-Setup Condition	Pre-Setup	To Adjust	Standard	Remark
1	NOR SPEED Control	SPK OUT (connected to the frequency counter)	1) Deck 1:MTT-111 2) Press PLAY SW button 3) Deck 2:Same as above	Turn VSR1 to left and right (FRONT PCB)	3KHz	±1% range

2-2. To Adjust PlayBack Level/REC

Notes

- Before the actual adjustment, clean the play/recording head.
- Measuring tape :
i) MTT-114N(or equivalent 10kHz AZIMUTH control)
ii) MTT-5512
- The cassette deck is connections as shown in figure 1-7.

1. Adjust Deck 1 Play Level

Step	Item	Pre-Setup Condition	Pre-Setup	To Adjust	Standard	Remark
1	AZIMUTH	SPK OUT (VTVM is connected to the scope)	After putting MTT-114N into Deck 1 - Press FWD PLAY button.	- Turn the control screw to as shown in Figure 1-6.	Max output and same phase (both channels)	After adjustment secure it with REGION LOCK.

2. Adjust Deck 2 Play Level/ REC BIAS

Step	Item	Pre-Setup Condition	Pre-Setup	To Adjust	Standard	Remark
1	AZIMUTH	SPK OUT (VTVM is connected to the scope)	After putting MTT-114N into Deck 2 - Press FWD PLAY button.	- Turn the control screw to as shown in Figure 1-6.	MAX OUTPUT and same phase (both channels)	After adjustment secure it with REGION LOCK.
2	Recording Bias Voltage	Fig 1-8	After putting MTT-5512 into Deck 2 1) Press REC PLAY button. 2) TAPE PCB.JCW3, connected to VTVM	- Turn JSR2L,JSR2R to the right and left	CHECK TO 7mV(±0.5mV)	

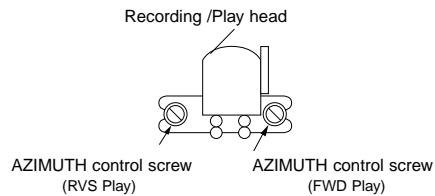


Figure 1-6

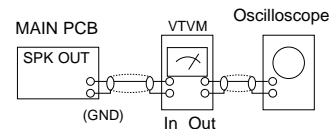


Figure 1-7

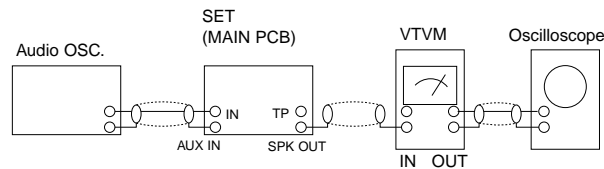


Figure 1-8

3. Electrical Parts List

Location no	Code no.	Description	Specification	Remarks	Location no	Code no.	Description	Specification	Remarks
AH26-00222A		TRANS POWER,-MAX-S720/ZS720,-,115/230		EU,BASIC	R804	2007-000468	R-CHIP:1KOHM,5%,1/10W,DA,TP2012		
AH26-00222B		TRANS POWER,-MAX-S720/ZS720,-,220V,60HZ		KOREA	R805	2007-000468	R-CHIP:1KOHM,5%,1/10W,DA,TP2012		
AH26-00222D		TRANS POWER,-MAX-S720/ZS720,-,117V		MEXICO	R806	2007-000468	R-CHIP:1KOHM,5%,1/10W,DA,TP2012		
AH39-00257A		POWER CORD,CP2,250V,2.5A,1830MM		CP2(VDE)	R811	2007-000468	R-CHIP:1KOHM,5%,1/10W,DA,TP2012		
AH39-00258Q		POWER CORD,BS,250V,2.5A,1830MM		BS(UK)	R208	2007-000468	R-CHIP:1KOHM,5%,1/10W,DA,TP2012		
AH39-00257D		POWER CORD,KS,250V,2.5A,1830MM		KS(KOREA)	R207	2007-000468	R-CHIP:1KOHM,5%,1/10W,DA,TP2012		
AH39-00258H		POWER CORD,UL/CSA,125V,10A,1830MM		EP2(UL/CSA)	R206	2007-000468	R-CHIP:1KOHM,5%,1/10W,DA,TP2012		
AH39-00258H		POWER CORD,IRAM,AP2,125V,10A,1830MM		AP2(ARGENTINA)	R205	2007-000468	R-CHIP:1KOHM,5%,1/10W,DA,TP2012		
AH39-00258B		POWER CORD,SAA,AP2,125V,17.5A,1830MM		AP2(AUSTRALIA)	R204	2007-000468	R-CHIP:1KOHM,5%,1/10W,DA,TP2012		
AH42-20001P		ANT LOOP,-,KS971120-01,18.5UH#10%,-		COMMON	R118	2007-000477	R-CHIP:1MOHM,5%,1/10W,DA,TP2012		
AH39-00320C		CBF COAXIAL CABLE,MAX-L68,110REC,-,1007#		COMMON	R204	2007-000477	R-CHIP:1MOHM,5%,1/10W,DA,TP2012		
AH39-50001X		WIRE HARNESS,RING,1007#24,200MM,BLK		COMMON	R116	2007-000546	R-CHIP:20KOHM,5%,1/10W,DA,TP2012		
AH59-00162A		DECK,CMS300-V		COMMON	R210	2007-000572	R-CHIP:220OHM,5%,1/10W,DA,TP2012		
AH40-00043A		TUNER-PACK ASSY:FMMW/LW,RDS,FM87.5-108.0MHz		EUROPE(RDS)	R128	2007-000653	R-CHIP:27KOHM,5%,1/10W,DA,TP2012		
AH40-00042A		TUNER-PACK ASSY:FMMW/LW,RDS,FM64-108.0MHz		CIS(RDS)	DR2	2007-000872	R-CHIP:4.7KOHM,5%,1/10W,DA,TP2012		
AH40-00044A		TUNER-PACK ASSY:FMMW/MW520-1720KHz		ASIA(T-BAND)	DR1	2007-000872	R-CHIP:4.7KOHM,5%,1/10W,DA,TP2012		
AH40-00045A		TUNER-PACK ASSY:FMMW/LW,FM64-108.0MHz		CIS(NO RDS)	R123	2007-000941	R-CHIP:47KOHM,5%,1/10W,DA,TP2012		
AH40-00046A		TUNER-PACK ASSY:FMMW/LW,FM87.5-108.0MHz		LW BAND	R129	2007-000941	R-CHIP:47KOHM,5%,1/10W,DA,TP2012		
AH40-00049A		TUNER-PACK ASSY:FMMW/SW1/SW2		SW BAND	R813	2007-000941	R-CHIP:47KOHM,5%,1/10W,DA,TP2012		
AH97-01111A		ASSY-CA'DECK,-MAX-S720,		COMMON	R126	2007-001039	R-CHIP:56KOHM,5%,1/10W,DA,TP2012		
6002-000396		SCREW-TAPPING,BH,+2,M2,L5,ZPC(WHT),SWCH			R120	2007-001039	R-CHIP:56KOHM,5%,1/10W,DA,TP2012		
AH39-00021A		LEAD CONNECTOR ASSY:UL1533#28,300MM,-,-			R104	2007-001039	R-CHIP:56KOHM,5%,1/10W,DA,TP2012		
AH39-20002D		LEAD CONNECTOR ASSY:5264,-,3P,300MM,2970			R103	2007-001039	R-CHIP:56KOHM,5%,1/10W,DA,TP2012		
AH59-01145A		DECK-CASSETTE,ADR268AMW1,MAXS60,-,-,DC1			R102	2007-001039	R-CHIP:56KOHM,5%,1/10W,DA,TP2012		
AH61-00413B		BRACKET-DECK,MAX-B550,SPT 0.3T,0.3T,-,-			R101	2007-001039	R-CHIP:56KOHM,5%,1/10W,DA,TP2012		
AH59-00134H		REMOCON-ASSY:MAX-S720,SAMSUNG,-,-,27KEY,		BASIC	R105	2007-001208	R-CHIP:82KOHM,5%,1/10W,DA,TP2012		
AH59-00134J		REMOCON-ASSY:MAX-S720,SAMSUNG,-,-,27KEY,		LATIN	R107	2007-001216	R-CHIP:82KOHM,5%,1/10W,DA,TP2012		
AH92-00922A		ASSY PCB-CD-G3H1-3CD,		COMMON	R301	2008-000140	R-FUSIBLE,2.2ohm,5%,1/2W,AA,TP3.5x9.4mm		
WIC402	1003-001162	IC-MOTOR DRIVER,KA3082,SIP,10PIN,25MIL,D			C806	2202-000243	C-CERAMIC,MLC-AXIAL-33pF,5%,50V,SL,TP,3		
WIC401	1003-001162	IC-MOTOR DRIVER,KA3082,SIP,10PIN,25MIL,D			C805	2202-000243	C-CERAMIC,MLC-AXIAL-33pF,5%,50V,SL,TP,3		
X201	2802-000211	RESONATOR-CERAMIC,16.93MHz,0.5%,TP,10.0x			C804	2202-000243	C-CERAMIC,MLC-AXIAL-33pF,5%,50V,SL,TP,3		
CW103	3708-001131	CONNECTOR-FPC/FPC,PI/C,5P,1.25mm,STRAIGHT			C803A	2202-000780	C-CERAMIC,MLC-AXIAL-100nF,+80-20%,50V,Y5		
CW101	3708-001252	CONNECTOR-FPC/FPC,PI/C,16P,1mm,STRAIGHT-F			C113	2202-000780	C-CERAMIC,MLC-AXIAL-100nF,+80-20%,50V,Y5		
CW105	3708-001438	CONNECTOR-FPC/FPC,PI/C,22P,1.25mm,ANGLE,S			C131	2203-000203	C-CERAMIC,CHIP-100nF,10%,16V,X7R,TP2012		
CW107	3711-000906	CONNECTOR-HEADER,BOX,3P1R,2mm,ANGLE,SN			C132	2203-000203	C-CERAMIC,CHIP-100nF,10%,16V,X7R,TP2012		
CW104	3711-000379	CONNECTOR-HEADER,NOVALL,3P1R,2.5mm,STRA			C204	2203-000203	C-CERAMIC,CHIP-100nF,10%,16V,X7R,TP2012		
CW106	AH39-00060A	LEAD CONNECTOR ASSY,-,51015-08,51004-08,			C205	2203-000203	C-CERAMIC,CHIP-100nF,10%,16V,X7R,TP2012		
CW102	AH39-20561P	LEAD CONNECTOR ASSY,-,5295,PHR,6P,150mm,			C211	2203-000203	C-CERAMIC,CHIP-100nF,10%,16V,X7R,TP2012		
D301	0402-000151	DIODE-RECTIFIER,1N6392,100V,1.5A,DO-15,T			C130	2203-000203	C-CERAMIC,CHIP-100nF,10%,16V,X7R,TP2012		
ZD301	0403-000344	DIODE-ZENER,UZ3.9B,3.9V,3.7-4.1V,500mW,D			C115	2203-000203	C-CERAMIC,CHIP-100nF,10%,16V,X7R,TP2012		
ZD402	0403-000352	DIODE-ZENER,UZ4.7BM,4.7V,4.4-5.0V,500mW,			C116	2203-000203	C-CERAMIC,CHIP-100nF,10%,16V,X7R,TP2012		
ZD401	0403-000361	DIODE-ZENER,UZ6.2BSB,6.2V,5.99-6.24V,500			C118	2203-000203	C-CERAMIC,CHIP-100nF,10%,16V,X7R,TP2012		
Q302	0501-000010	TR-SMALL SIGNAL-K3C1008,NPN,800mW,T0-92,			C124	2203-000203	C-CERAMIC,CHIP-100nF,10%,16V,X7R,TP2012		
Q101	0501-000314	TR-SMALL SIGNAL-KS4812,PNP,150mW,SOT-23,			C129	2203-000203	C-CERAMIC,CHIP-100nF,10%,16V,X7R,TP2012		
Q301	0501-000610	TR-SMALL SIGNAL-KSA928A-Y,PNP,1W,T0-92L,			C214	2203-000260	C-CERAMIC,CHIP-10nF,10%,50V,X7R,TP2012		
IC201	0904-001524	IC-DSP-5LS9290,-,OFF,48P,472MIL,16.934			C216	2203-000260	C-CERAMIC,CHIP-10nF,10%,50V,X7R,TP2012		
IC301	1003-000179	IC-MOTOR DRIVER,KA8258D,SOP28P,-,SINGLE			C218	2203-000260	C-CERAMIC,CHIP-10nF,10%,50V,X7R,TP2012		
IC101	1204-001799	IC-ASP-KG9226,LQFP,48P,393MIL,PLASTIC			C304	2203-000260	C-CERAMIC,CHIP-10nF,10%,50V,X7R,TP2012		
R117	2001-000290	R-CARBON;10Kohm,5%,1/8W,AA,TP1.8x3.2mm			C305	2203-000260	C-CERAMIC,CHIP-10nF,10%,50V,X7R,TP2012		
R810	2001-000362	R-CARBON;12Kohm,5%,1/8W,AA,TP1.8x3.2mm			C401	2203-000260	C-CERAMIC,CHIP-10nF,10%,50V,X7R,TP2012		
R803	2001-000429	R-CARBON;150ohm,5%,1/8W,AA,TP1.8x3.2mm			C402	2203-000260	C-CERAMIC,CHIP-10nF,10%,50V,X7R,TP2012		
R807	2001-000734	R-CARBON;1Kohm,5%,1/8W,AA,TP1.8x3.2mm			C103	2203-000260	C-CERAMIC,CHIP-10nF,10%,50V,X7R,TP2012		
R808	2001-000734	R-CARBON;4.7Kohm,5%,1/8W,AA,TP1.8x3.2m			C105	2203-000260	C-CERAMIC,CHIP-10nF,10%,50V,X7R,TP2012		
R302	2001-001006	R-CARBON;820ohm,5%,1/8W,AA,TP1.8x3.2mm			C121	2203-000260	C-CERAMIC,CHIP-10nF,10%,50V,X7R,TP2012		
R114	2007-000001	R-CHIP;68KOHM,5%,1/10W,DA,TP2012			C134	2203-000260	C-CERAMIC,CHIP-10nF,10%,50V,X7R,TP2012		
J1	2007-000029	R-CHIP;0OHM,5%,1/10W,DA,TP2012			C207	2203-000260	C-CERAMIC,CHIP-10nF,10%,50V,X7R,TP2012		
J10	2007-000029	R-CHIP;0OHM,5%,1/10W,DA,TP2012			C209	2203-000260	C-CERAMIC,CHIP-10nF,10%,50V,X7R,TP2012		
J2	2007-000029	R-CHIP;0OHM,5%,1/10W,DA,TP2012			C213	2203-000260	C-CERAMIC,CHIP-10nF,10%,50V,X7R,TP2012		
J3	2007-000029	R-CHIP;0OHM,5%,1/10W,DA,TP2012			C126	2203-000495	C-CERAMIC,CHIP;2.2nF,10%,50V,COG,TP2012		
J9	2007-000029	R-CHIP;0OHM,5%,1/10W,DA,TP2012			C127	2203-000695	C-CERAMIC,CHIP;0.22nF,5%,50V,COG,TP2012		
J8	2007-000029	R-CHIP;0OHM,5%,1/10W,DA,TP2012			C803	2203-000787	C-CERAMIC,CHIP;0.33nF,5%,50V,COG,TP2012		
J7	2007-000029	R-CHIP;0OHM,5%,1/10W,DA,TP2012			C128	2203-000802	C-CERAMIC,CHIP;33nF,10%,50V,X7R,TP2012		
J5	2007-000029	R-CHIP;0OHM,5%,1/10W,DA,TP2012			C119	2203-000802	C-CERAMIC,CHIP;33nF,10%,50V,X7R,TP2012		
J4	2007-000029	R-CHIP;0OHM,5%,1/10W,DA,TP2012			C125	2203-000840	C-CERAMIC,CHIP;0.39nF,5%,50V,COG,TP2012		
R501L	2007-000282	R-CHIP;100KOHM,5%,1/10W,DA,TP2012			C208	2203-000858	C-CERAMIC,CHIP;0.039nF,5%,50V,COG,TP2012		
R501R	2007-000282	R-CHIP;100KOHM,5%,1/10W,DA,TP2012			C111	2203-000892	C-CERAMIC,CHIP;4.7nF,10%,50V,X7R,TP2012		
R201	2007-000290	R-CHIP;100OHM,5%,1/10W,DA,TP2012			C112	2203-000892	C-CERAMIC,CHIP;4.7nF,10%,50V,X7R,TP2012		
R502L	2007-000290	R-CHIP;100OHM,5%,1/10W,DA,TP2012			C124A	2203-001064	C-CERAMIC,CHIP;68nF,10%,50V,COG,TP2012		
R502R	2007-000290	R-CHIP;100OHM,5%,1/10W,DA,TP2012			C106	2203-001137	C-CERAMIC,CHIP;68nF,+80-20%,50V,Y5V,TP2		
R133	2007-000300	R-CHIP;10KOHM,5%,1/10W,DA,TP2012			C122	2203-001137	C-CERAMIC,CHIP;68nF,+80-20%,50V,Y5V,TP2		
R809	2007-000300	R-CHIP;10KOHM,5%,1/10W,DA,TP2012			C203	2203-001223	C-CERAMIC,CHIP;0.82nF,10%,50V,X7R,TP2012		
R132	2007-000300	R-CHIP;10KOHM,5%,1/10W,DA,TP2012			C502R	2203-001537	C-CERAMIC,CHIP;1nF,10%,50V,X7R,TP2012		
MR3	2007-000300	R-CHIP;10KOHM,5%,1/10W,DA,TP2012			C502L	2203-001537	C-CERAMIC,CHIP;1nF,10%,50V,X7R,TP2012		
MR2	2007-000300	R-CHIP;10KOHM,5%,1/10W,DA,TP2012			C117	2203-001537	C-CERAMIC,CHIP;1nF,10%,50V,X7R,TP2012		
R108	2007-000308	R-CHIP;10OHM,5%,1/10W,DA,TP2012			C102	2203-001537	C-CERAMIC,CHIP;1nF,10%,50V,X7R,TP2012		
R124	2007-000338	R-CHIP;120KOHM,5%,1/10W,DA,TP2012			C104	2203-001551	C-CERAMIC,CHIP;1.5nF,10%,50V,X7R,TP2012		
R125	2007-000338	R-CHIP;120KOHM,5%,1/10W,DA,TP2012			C202	2203-001619	C-CERAMIC,CHIP;0.027nF,5%,50V,NP0,TP201		
R121	2007-000409	R-CHIP;15KOHM,5%,1/10W,DA,TP2012			C201	2203-001619	C-CERAMIC,CHIP;0.027nF,5%,50V,NP0,TP201		
R110	2007-000409	R-CHIP;15KOHM,5%,1/10W,DA,TP2012			C215	2401-000240	C-AL;100uF,20%,10V,GPTP5x11.5		
R113	2007-000444	R-CHIP;180KOHM,5%,1/10W,DA,TP2012			C217	2401-000240	C-AL;100uF,20%,10V,GPTP5x11.5		
R209	2007-000468	R-CHIP;1KOHM,5%,1/10W,DA,TP2012			C302	2401-000240	C-AL;100uF,20%,10V,GPTP5x11.5		
					C303	2401-000240	C-AL;100uF,20%,10V,GPTP5x11.5		
					C212	2401-000240	C-AL;100uF,20%,10V,GPTP5x11.5		

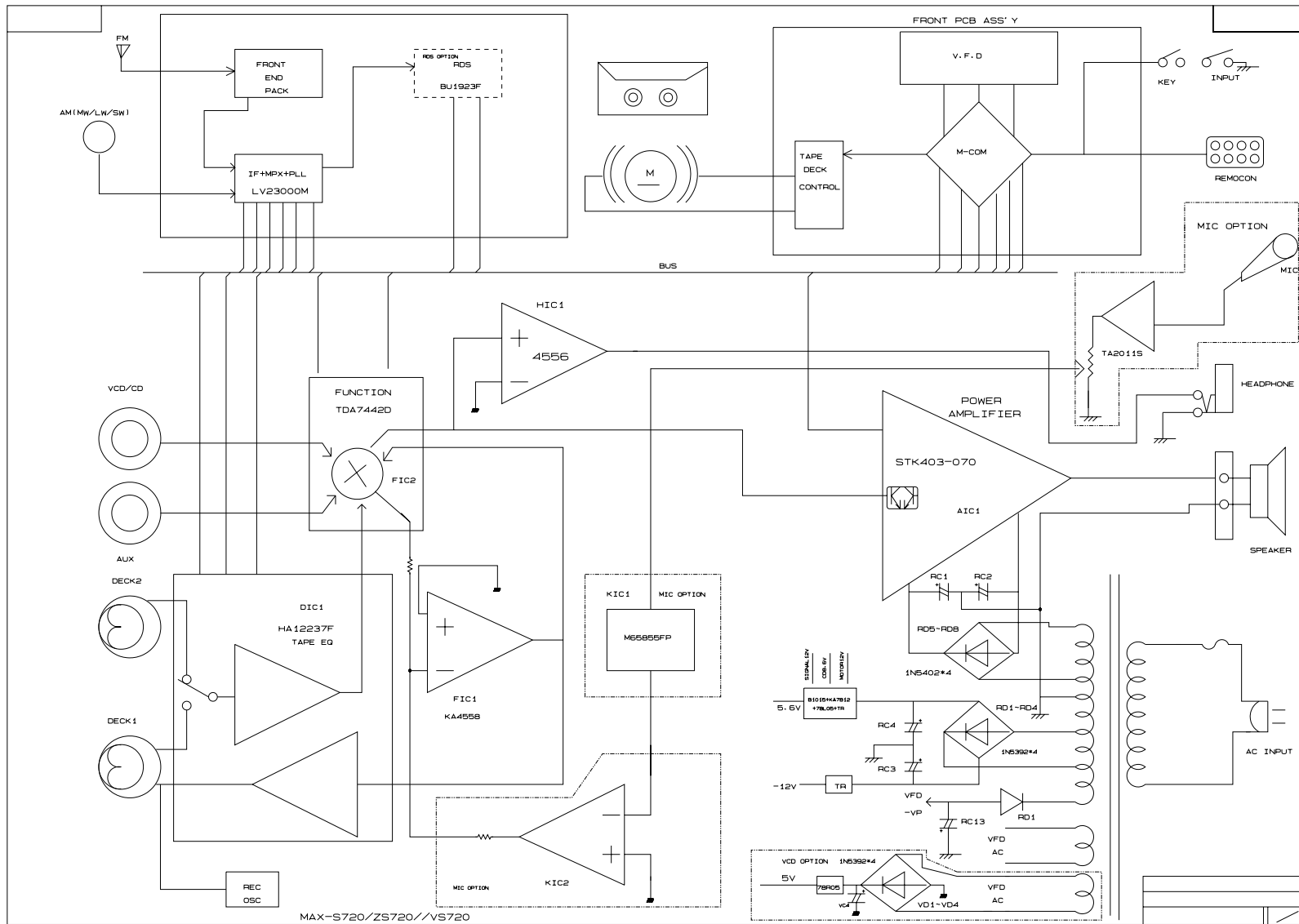
Location no	Code no.	Description	Specification	Remarks	Location no	Code no.	Description	Specification	Remarks
DCW1	3711-003107	CONNECTOR-HEADER-BOX,3P1R,2.5mm,STRAIGH			WR7	2001-000010	R-CARBON:68Kohm,5%,1/8W,AA,TP,1.8x3.2mm		
DCW2	3711-003111	CONNECTOR-HEADER-BOX,6P1R,2.5mm,STRAIGH			RR31	2001-000016	R-CARBON(S);10HM,5%,1/2W,AA,TP,2.4X6.4MM		
RCW1	3711-003112	CONNECTOR-HEADER-BOX,8P1R,2.5mm,STRAIGH			RR8	2001-000016	R-CARBON(S);10HM,5%,1/2W,AA,TP,2.4X6.4MM		
SPK1	3716-000209	TERMINAL-BLOCK;-,60V,7A			AR16	2001-000017	R-CARBON:4.7ohm,5%,1/4W,AA,TP,2.4x6.4mm		
AJCAK1	3722-000377	JACK-PIN-4P/2C,3.5mm,SN,BLK,#16-22			AR14	2001-000017	R-CARBON:4.7ohm,5%,1/4W,AA,TP,2.4x6.4mm		
	6003-000283	SCREW-TAPTITE,BH,+B,M3,L8,ZPC(YEL),SM20			WR20	2001-000019	R-CARBON(S);10ohm,5%,1/2W,AA,TP,2.4x6.4mm		
	6003-000283	SCREW-TAPTITE,BH,+B,M3,L8,ZPC(YEL),SM20			HR1B	2001-000019	R-CARBON(S);10ohm,5%,1/2W,AA,TP,2.4x6.4mm		
	6003-001230	SCREW-TAPTITE,BH,+B,M3,L16,ZPC(YEL),SWR			HR1A	2001-000019	R-CARBON(S);10ohm,5%,1/2W,AA,TP,2.4x6.4mm		
GIC1	AH14-10004R	ICM74HC04,SOP,TAPE 14P			TR7	2001-000022	R-CARBON(S);330HM,5%,1/2W,AA,TP,2.4X6.4MM		
DL3	AH26-00227A	TRANS RF;-,10KHZ,7.6 X 7.6,-			FR16	2001-000027	R-CARBON:100ohm,5%,1/4W,AA,TP,1.8x3.2mm		
DL4	AH26-10002W	TRANS TRAP-COIL,BIAS-TRAP105K,BIAS-TRAP,			RR21	2001-000038	R-CARBON:390ohm,5%,1/4W,AA,TP,2.4x6.4mm		
DL1	AH26-10002W	TRANS TRAP-COIL,BIAS-TRAP105K,BIAS-TRAP,			AR18	2001-000258	R-CARBON:1.8Kohm,5%,1/8W,AA,TP,1.8x3.2mm		
AL4	AH27-90001A	COIL-SPRING;-,2.2UH,-,SPRING,-,-,-,-			AR19	2001-000258	R-CARBON:1.8Kohm,5%,1/8W,AA,TP,1.8x3.2mm		
AL3	AH27-90001A	COIL-SPRING;-,2.2UH,-,SPRING,-,-,-,-			WR19	2001-000273	R-CARBON:100Kohm,5%,1/8W,AA,TP,1.8x3.2mm		
AL2	AH27-90001A	COIL-SPRING;-,2.2UH,-,SPRING,-,-,-,-			FR15	2001-000273	R-CARBON:100Kohm,5%,1/8W,AA,TP,1.8x3.2mm		
AL1	AH27-90001A	COIL-SPRING;-,2.2UH,-,SPRING,-,-,-,-			FR12	2001-000273	R-CARBON:100Kohm,5%,1/8W,AA,TP,1.8x3.2mm		
	AH31-10020A	MOTOR BLOWER-DC,D0620B-12M,12VDC,0.16A,			TR2	2001-000281	R-CARBON:100ohm,5%,1/8W,AA,TP,1.8x3.2mm		
GCV1	AH39-00096B	LEAD CONNECTOR ASSY;RXD-DV9,#1007,28,AWG			TR3	2001-000281	R-CARBON:100ohm,5%,1/8W,AA,TP,1.8x3.2mm		
	AH39-50001K	WIRE HARNESS RING,1007#24,140MM,BLK			TR4	2001-000281	R-CARBON:100ohm,5%,1/8W,AA,TP,1.8x3.2mm		
	AH60-10182A	SCREW-TAP TITE,-,SWRCH18A,M3,L30,BH,+2S			TR5	2001-000281	R-CARBON:100ohm,5%,1/8W,AA,TP,1.8x3.2mm		
	AH61-00250B	BRACKET-HEAT SINK,MX-J100,SECC 0.8T,-,-			TR6	2001-000281	R-CARBON:100ohm,5%,1/8W,AA,TP,1.8x3.2mm		
	AH62-00023N	HEAT SINK-MAIN-MAX-S720,AL,EXTRU SKIVE,-			TR1	2001-000281	R-CARBON:100ohm,5%,1/8W,AA,TP,1.8x3.2mm		
	AH62-00078B	HEAT SINK-TR-MAX-Z3750,AL,3.0,-,-,-,-			DR1	2001-000281	R-CARBON:100ohm,5%,1/8W,AA,TP,1.8x3.2mm		
FD1	0401-000101	DIODE-SWITCHING;1N4148,100V,200mA,DO-35,			DR2	2001-000281	R-CARBON:100ohm,5%,1/8W,AA,TP,1.8x3.2mm		
JW11	0401-000101	DIODE-SWITCHING;1N4148,100V,200mA,DO-35,			DR3	2001-000281	R-CARBON:100ohm,5%,1/8W,AA,TP,1.8x3.2mm		
RD10	0401-000101	DIODE-SWITCHING;1N4148,100V,200mA,DO-35,			DR4	2001-000281	R-CARBON:100ohm,5%,1/8W,AA,TP,1.8x3.2mm		
WD1	0401-000101	DIODE-SWITCHING;1N4148,100V,200mA,DO-35,			DR5	2001-000281	R-CARBON:100ohm,5%,1/8W,AA,TP,1.8x3.2mm		
WD2	0401-000101	DIODE-SWITCHING;1N4148,100V,200mA,DO-35,			TR6A	2001-000290	R-CARBON:10Kohm,5%,1/8W,AA,TP,1.8x3.2mm		
DD1	0401-000101	DIODE-SWITCHING;1N4148,100V,200mA,DO-35,			RR16	2001-000290	R-CARBON:10Kohm,5%,1/8W,AA,TP,1.8x3.2mm		
AD1	0401-000101	DIODE-SWITCHING;1N4148,100V,200mA,DO-35,			KR3	2001-000290	R-CARBON:10Kohm,5%,1/8W,AA,TP,1.8x3.2mm		
AD1A	0401-000101	DIODE-SWITCHING;1N4148,100V,200mA,DO-35,			TR6B	2001-000290	R-CARBON:10Kohm,5%,1/8W,AA,TP,1.8x3.2mm		
BD1	0401-000101	DIODE-SWITCHING;1N4148,100V,200mA,DO-35,			WR10	2001-000290	R-CARBON:10Kohm,5%,1/8W,AA,TP,1.8x3.2mm		
BD2	0401-000101	DIODE-SWITCHING;1N4148,100V,200mA,DO-35,			WR18	2001-000290	R-CARBON:10Kohm,5%,1/8W,AA,TP,1.8x3.2mm		
BD3	0401-000101	DIODE-SWITCHING;1N4148,100V,200mA,DO-35,			WR21	2001-000290	R-CARBON:10Kohm,5%,1/8W,AA,TP,1.8x3.2mm		
RD15	0402-000127	DIODE-RECTIFIER;1N4002,100V,1A,DO-41,TP			BR10	2001-000290	R-CARBON:10Kohm,5%,1/8W,AA,TP,1.8x3.2mm		
RD16	0402-000127	DIODE-RECTIFIER;1N4002,100V,1A,DO-41,TP			BR6	2001-000290	R-CARBON:10Kohm,5%,1/8W,AA,TP,1.8x3.2mm		
RD17	0402-000127	DIODE-RECTIFIER;1N4002,100V,1A,DO-41,TP			BR7	2001-000290	R-CARBON:10Kohm,5%,1/8W,AA,TP,1.8x3.2mm		
RD14	0402-000127	DIODE-RECTIFIER;1N4002,100V,1A,DO-41,TP			BR9	2001-000290	R-CARBON:10Kohm,5%,1/8W,AA,TP,1.8x3.2mm		
RD11	0402-000127	DIODE-RECTIFIER;1N4002,100V,1A,DO-41,TP			KR13	2001-000290	R-CARBON:10Kohm,5%,1/8W,AA,TP,1.8x3.2mm		
RD12	0402-000127	DIODE-RECTIFIER;1N4002,100V,1A,DO-41,TP			KR10	2001-000290	R-CARBON:10Kohm,5%,1/8W,AA,TP,1.8x3.2mm		
RD13	0402-000127	DIODE-RECTIFIER;1N4002,100V,1A,DO-41,TP			DR29	2001-000320	R-CARBON:10Kohm,5%,1/8W,AA,TP,1.8x3.2mm		
RD4	0402-000151	DIODE-RECTIFIER;1N5392,100V,1.5A,DO-15,T			DR8	2001-000302	R-CARBON:10ohm,5%,1/8W,AA,TP,1.8x3.2mm		
RD3	0402-000151	DIODE-RECTIFIER;1N5392,100V,1.5A,DO-15,T			DR38	2001-000302	R-CARBON:10ohm,5%,1/8W,AA,TP,1.8x3.2mm		
RD2	0402-000151	DIODE-RECTIFIER;1N5392,100V,1.5A,DO-15,T			BR2A	2001-000302	R-CARBON:10ohm,5%,1/8W,AA,TP,1.8x3.2mm		
RD1	0402-000151	DIODE-RECTIFIER;1N5392,100V,1.5A,DO-15,T			BR1A	2001-000302	R-CARBON:10ohm,5%,1/8W,AA,TP,1.8x3.2mm		
RZDA	0403-000354	DIODE-ZENER,UZ5.1B,1.5,1V,4-8.5,4V,500mW,D			TR8	2001-000331	R-CARBON:12Kohm,5%,1/8W,AA,TP,1.8x3.2mm		
RZD2	0403-000372	DIODE-ZENER,UZ9.1BM,9.1V,8.7-9.4V,500mW,W			TR11	2001-000331	R-CARBON:12Kohm,5%,1/8W,AA,TP,1.8x3.2mm		
TZD1	0403-000372	DIODE-ZENER,UZ9.1BM,9.1V,8.7-9.4V,500mW,W			CR5	2001-000411	R-CARBON:18Kohm,5%,1/8W,AA,TP,1.8x3.2mm		
RZD3	0403-000380	DIODE-ZENER,UZP13B,13V,12.4-14.1V,1W,DO-			CR2	2001-000411	R-CARBON:18Kohm,5%,1/8W,AA,TP,1.8x3.2mm		
RZD5	0403-000664	DIODE-ZENER,TZP16A,16V,15.3-17.1V,1W,DO-			RR34	2001-000429	R-CARBON:1Kohm,5%,1/8W,AA,TP,1.8x3.2mm		
RZD6	0403-000670	DIODE-ZENER,UZP18B,18V,16.9-19.1V,1W,DO-			HR6	2001-000429	R-CARBON:1Kohm,5%,1/8W,AA,TP,1.8x3.2mm		
RZD7	0403-001010	DIODE-ZENER,UZP5.6B,5.6V,5.2-6.0V,1W,DO			HR5	2001-000429	R-CARBON:1Kohm,5%,1/8W,AA,TP,1.8x3.2mm		
DQ6	0501-000010	TR-SMALL SIGNAL,KSC1008,NPN,800mW,TO-92,			FR14	2001-000429	R-CARBON:1Kohm,5%,1/8W,AA,TP,1.8x3.2mm		
DQ5	0501-000010	TR-SMALL SIGNAL,KSC1008,NPN,800mW,TO-92,			FR11	2001-000429	R-CARBON:1Kohm,5%,1/8W,AA,TP,1.8x3.2mm		
DQ4	0501-000010	TR-SMALL SIGNAL,KSC1008,NPN,800mW,TO-92,			AR3	2001-000429	R-CARBON:1Kohm,5%,1/8W,AA,TP,1.8x3.2mm		
DQ3	0501-000010	TR-SMALL SIGNAL,KSC1008,NPN,800mW,TO-92,			FR7	2001-000435	R-CARBON:1Mohm,5%,1/8W,AA,TP,1.8x3.2mm		
DQ1	0501-000010	TR-SMALL SIGNAL,KSC1008,NPN,800mW,TO-92,			DR42	2001-000435	R-CARBON:1Mohm,5%,1/8W,AA,TP,1.8x3.2mm		
BQ4	0501-000296	TR-SMALL SIGNAL,KSA709-Y,PNP,800mW,TO-92			HR4	2001-000449	R-CARBON:2.2Kohm,5%,1/8W,AA,TP,1.8x3.2mm		
BQ2	0501-000296	TR-SMALL SIGNAL,KSA709-Y,PNP,800mW,TO-92			RR15	2001-000449	R-CARBON:2.2Kohm,5%,1/8W,AA,TP,1.8x3.2mm		
BQ1	0501-000296	TR-SMALL SIGNAL,KSA709-Y,PNP,800mW,TO-92			RR19	2001-000449	R-CARBON:2.2Kohm,5%,1/8W,AA,TP,1.8x3.2mm		
CQ3	0501-000331	TR-SMALL SIGNAL,KSC1009-Y,NPN,800mW,TO-9			RR23	2001-000449	R-CARBON:2.2Kohm,5%,1/8W,AA,TP,1.8x3.2mm		
CQ2	0501-000331	TR-SMALL SIGNAL,KSC1009-Y,NPN,800mW,TO-9			AR2	2001-000449	R-CARBON:2.2Kohm,5%,1/8W,AA,TP,1.8x3.2mm		
BQ5	0501-000331	TR-SMALL SIGNAL,KSC1009-Y,NPN,800mW,TO-9			FR27	2001-000449	R-CARBON:2.2Kohm,5%,1/8W,AA,TP,1.8x3.2mm		
BQ3	0501-000331	TR-SMALL SIGNAL,KSC1009-Y,NPN,800mW,TO-9			FR29	2001-000449	R-CARBON:2.2Kohm,5%,1/8W,AA,TP,1.8x3.2mm		
WQ2	0501-000422	TR-SMALL SIGNAL,KTA1273,PNP,-30V,-30V,-2			HR3	2001-000449	R-CARBON:2.2Kohm,5%,1/8W,AA,TP,1.8x3.2mm		
RQ6	0501-000422	TR-SMALL SIGNAL,KTA1273,PNP,-30V,-30V,-2			DR7	2001-000472	R-CARBON:2.7Kohm,5%,1/8W,AA,TP,1.8x3.2mm		
RQ4	0501-000422	TR-SMALL SIGNAL,KTA1273,PNP,-30V,-30V,-2			DR37	2001-000472	R-CARBON:2.7Kohm,5%,1/8W,AA,TP,1.8x3.2mm		
RQ3	0501-000422	TR-SMALL SIGNAL,KTA1273,PNP,-30V,-30V,-2			RR18	2001-000522	R-CARBON:22Kohm,5%,1/8W,AA,TP,1.8x3.2mm		
DQ9	0501-000422	TR-SMALL SIGNAL,KTA1273,PNP,-30V,-30V,-2			WR4	2001-000522	R-CARBON:22Kohm,5%,1/8W,AA,TP,1.8x3.2mm		
DQ8	0501-002176	TR-SMALL SIGNAL,KTD845B,NPN,1W,TO-92L,TP,			WR5	2001-000522	R-CARBON:22Kohm,5%,1/8W,AA,TP,1.8x3.2mm		
FQ1	0501-002375	TR-SMALL SIGNAL,KTC8050,NPN,625MW,TO-92,			WR8	2001-000522	R-CARBON:22Kohm,5%,1/8W,AA,TP,1.8x3.2mm		
FQ3	0501-002375	TR-SMALL SIGNAL,KTC8050,NPN,625MW,TO-92,			RR17	2001-000522	R-CARBON:22Kohm,5%,1/8W,AA,TP,1.8x3.2mm		
WQ3	0501-002375	TR-SMALL SIGNAL,KTC8050,NPN,625MW,TO-92,			BR3	2001-000522	R-CARBON:22Kohm,5%,1/8W,AA,TP,1.8x3.2mm		
WQ1	0501-002375	TR-SMALL SIGNAL,KTC8050,NPN,625MW,TO-92,			BR4	2001-000522	R-CARBON:22Kohm,5%,1/8W,AA,TP,1.8x3.2mm		
HQ2A	0501-002375	TR-SMALL SIGNAL,KTC8050,NPN,625MW,TO-92,			DR6	2001-000522	R-CARBON:22Kohm,5%,1/8W,AA,TP,1.8x3.2mm		
HQ2	0501-002375	TR-SMALL SIGNAL,KTC8050,NPN,625MW,TO-92,			RR12	2001-000522	R-CARBON:22Kohm,5%,1/8W,AA,TP,1.8x3.2mm		
HQ1	0501-002375	TR-SMALL SIGNAL,KTC8050,NPN,625MW,TO-92,			RR24	2001-000563	R-CARBON:27Kohm,5%,1/8W,AA,TP,1.8x3.2mm		
RQ7	0501-002408	TR-SMALL SIGNAL,MPS751,PNP,625MW,TO-92,-			DR9	2001-000563	R-CARBON:27Kohm,5%,1/8W,AA,TP,1.8x3.2mm		
RQ5	0501-002409	TR-SMALL SIGNAL,KTC945B,NPN,625MW,TO-92,			DR36	2001-000563	R-CARBON:27Kohm,5%,1/8W,AA,TP,1.8x3.2mm		
RQ1	0501-002409	TR-SMALL SIGNAL,KTC945B,NPN,625MW,TO-92,			DR30	2001-000591	R-CARBON:3.3Kohm,5%,1/8W,AA,TP,1.8x3.2mm		
FQ4	0501-002409	TR-SMALL SIGNAL,KTC945B,NPN,625MW,TO-92,			CR1	2001-000591	R-CARBON:3.3Kohm,5%,1/8W,AA,TP,1.8x3.2mm		
DQ10	0501-002409	TR-SMALL SIGNAL,KTC945B,NPN,625MW,TO-92,			AR11	2001-000591	R-CARBON:3.3Kohm,5%,1/8W,AA,TP,1.8x3.2mm		
FQ2	0504-001128	TR-DIGITAL,KRA103M,PNP,400MW,22K/22K,TO-			AR10	2001-000591	R-CARBON:3.3Kohm,5%,1/8W,AA,TP,1.8x3.2mm		
DQ7	0504-001128	TR-DIGITAL,KRA103M,PNP,400MW,22K/22K,TO-			FR23	2001-000591	R-CARBON:3.3Kohm,5%,1/8W,AA,TP,1.8x3.2mm		
CQ1	0504-001128	TR-DIGITAL,KRA103M,PNP,400MW,22K/22K,TO-			FR21	2001-000591	R-CARBON:3.3Kohm,5%,1/8W,AA,TP,1.8x3.2mm		
CR4	2001-000008	R-CARBON:15Kohm,5%,1/8W,AA,TP,1.8x3.2mm			FR20	2001-000591	R		

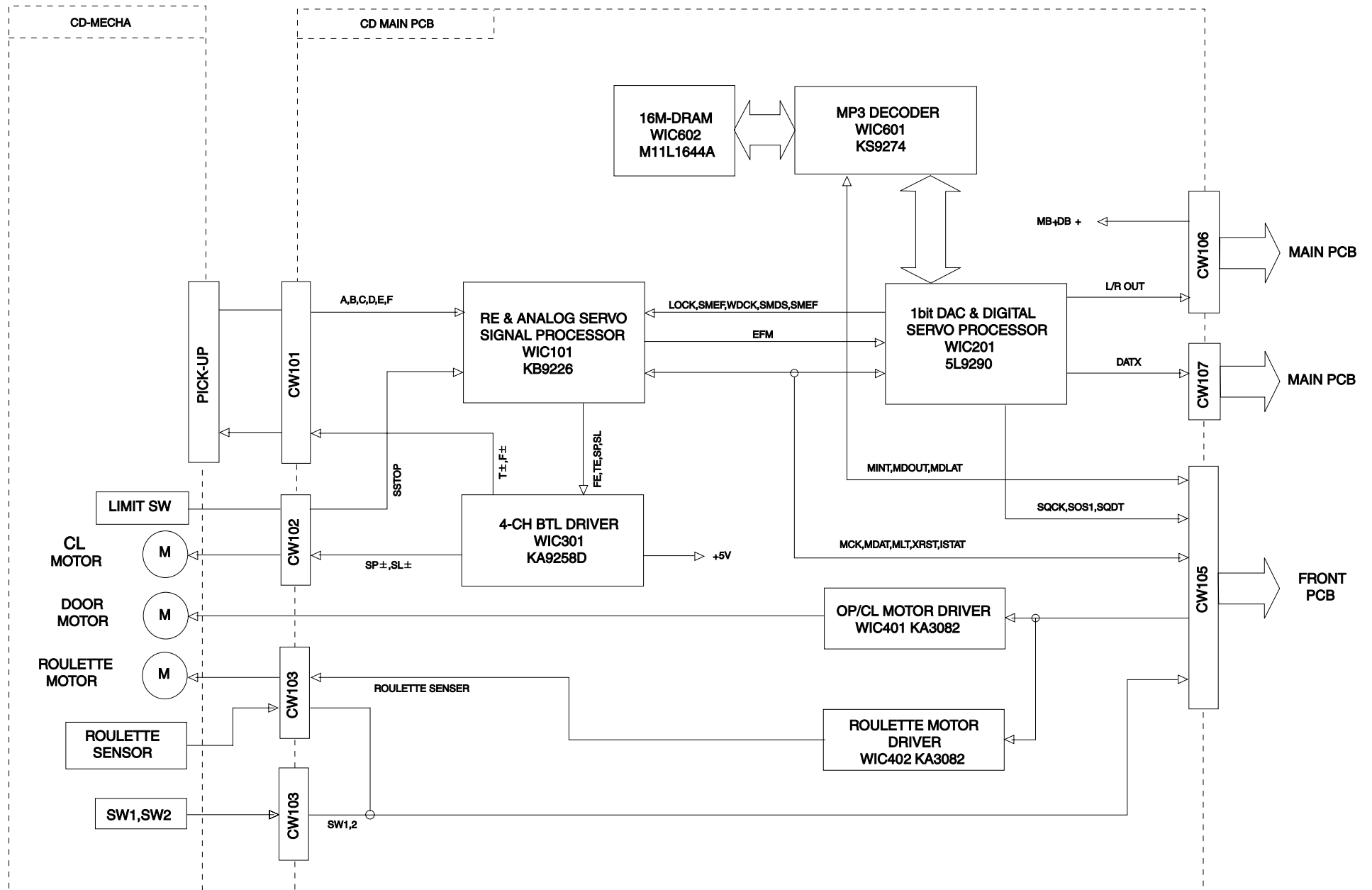
Location no	Code no.	Description	Specification	Remarks	Location no	Code no.	Description	Specification	Remarks
RR32	2001-000660	R-CARBON:33Kohm,5%,1/8W,AA,TP1.8x3.2mm			AC17	2201-000532	C-CERAMIC,DISC:4.7NF,10%,50V,Y5P,TP,8X3.		
HR2	2001-000660	R-CARBON:33Kohm,5%,1/8W,AA,TP1.8x3.2mm			AC16	2201-000532	C-CERAMIC,DISC:4.7NF,10%,50V,Y5P,TP,8X3.		
HR1	2001-000660	R-CARBON:33Kohm,5%,1/8W,AA,TP1.8x3.2mm			AC14	2201-000532	C-CERAMIC,DISC:4.7NF,10%,50V,Y5P,TP,8X3.		
AR1	2001-000660	R-CARBON:33Kohm,5%,1/8W,AA,TP1.8x3.2mm			AC13	2201-000532	C-CERAMIC,DISC:4.7NF,10%,50V,Y5P,TP,8X3.		
FR3	2001-000702	R-CARBON:39Kohm,5%,1/8W,AA,TP1.8x3.2mm			AC9	2201-000557	C-CERAMIC,DISC:0.47NF,10%,50V,SL,TP,8X3.		
HR7	2001-000734	R-CARBON:4.7Kohm,5%,1/8W,AA,TP1.8x3.2mm			AC10	2201-000557	C-CERAMIC,DISC:0.47NF,10%,50V,SL,TP,8X3.		
HR8	2001-000734	R-CARBON:4.7Kohm,5%,1/8W,AA,TP1.8x3.2mm			AC2A	2201-000557	C-CERAMIC,DISC:0.47NF,10%,50V,SL,TP,8X3.		
HR8A	2001-000734	R-CARBON:4.7Kohm,5%,1/8W,AA,TP1.8x3.2mm			AC2B	2201-000557	C-CERAMIC,DISC:0.47NF,10%,50V,SL,TP,8X3.		
RR13	2001-000734	R-CARBON:4.7Kohm,5%,1/8W,AA,TP1.8x3.2mm			CC3	2201-000565	C-CERAMIC,DISC:47nF,+80-20%,-,12.5x4mm		
RR20	2001-000734	R-CARBON:4.7Kohm,5%,1/8W,AA,TP1.8x3.2mm			WC2	2201-000783	C-CERAMIC,DISC:100NF,+80-20%,50V,Y5V,TP.		
RR29	2001-000734	R-CARBON:4.7Kohm,5%,1/8W,AA,TP1.8x3.2mm			AC15	2201-000783	C-CERAMIC,DISC:100NF,+80-20%,50V,Y5V,TP.		
TR10	2001-000734	R-CARBON:4.7Kohm,5%,1/8W,AA,TP1.8x3.2mm			AC19	2201-000783	C-CERAMIC,DISC:100NF,+80-20%,50V,Y5V,TP.		
TR9	2001-000734	R-CARBON:4.7Kohm,5%,1/8W,AA,TP1.8x3.2mm			AC8	2201-000838	C-CERAMIC,DISC:0.003NF,0.25PF,50V,COG,TP.		
FR9	2001-000734	R-CARBON:4.7Kohm,5%,1/8W,AA,TP1.8x3.2mm			AC7	2201-000838	C-CERAMIC,DISC:0.003NF,0.25PF,50V,COG,TP.		
DR12	2001-000734	R-CARBON:4.7Kohm,5%,1/8W,AA,TP1.8x3.2mm			JW34	2202-000243	C-CERAMIC,MLC-AXIAL:33pF,5%,50V,SL,TP,3.		
DR13	2001-000734	R-CARBON:4.7Kohm,5%,1/8W,AA,TP1.8x3.2mm			TC7	2202-000781	C-CERAMIC,MLC-AXIAL:100pF,10%,50V,Y5P,TP.		
DR27	2001-000734	R-CARBON:4.7Kohm,5%,1/8W,AA,TP1.8x3.2mm			TC5	2202-000781	C-CERAMIC,MLC-AXIAL:100pF,10%,50V,Y5P,TP.		
DR33	2001-000734	R-CARBON:4.7Kohm,5%,1/8W,AA,TP1.8x3.2mm			TC10A	2202-000796	C-CERAMIC,MLC-AXIAL:1NF,10%,50V,Y5P,TP,3.		
FR10	2001-000734	R-CARBON:4.7Kohm,5%,1/8W,AA,TP1.8x3.2mm			TC10	2202-000796	C-CERAMIC,MLC-AXIAL:1NF,10%,50V,Y5P,TP,3.		
FR1	2001-000734	R-CARBON:4.7Kohm,5%,1/8W,AA,TP1.8x3.2mm			HC2A	2202-000796	C-CERAMIC,MLC-AXIAL:1NF,10%,50V,Y5P,TP,3.		
DR35	2001-000734	R-CARBON:4.7Kohm,5%,1/8W,AA,TP1.8x3.2mm			FC30A	2202-000796	C-CERAMIC,MLC-AXIAL:1NF,10%,50V,Y5P,TP,3.		
DR34	2001-000734	R-CARBON:4.7Kohm,5%,1/8W,AA,TP1.8x3.2mm			FC11A	2202-000796	C-CERAMIC,MLC-AXIAL:1NF,10%,50V,Y5P,TP,3.		
FR22	2001-000786	R-CARBON:47Kohm,5%,1/8W,AA,TP1.8x3.2mm			DC35	2202-000796	C-CERAMIC,MLC-AXIAL:1NF,10%,50V,Y5P,TP,3.		
FR26	2001-000786	R-CARBON:47Kohm,5%,1/8W,AA,TP1.8x3.2mm			FC7	2202-000806	C-CERAMIC,MLC-AXIAL:220pF,10%,50V,Y5P,TP.		
FR28	2001-000786	R-CARBON:47Kohm,5%,1/8W,AA,TP1.8x3.2mm			FC10	2202-000806	C-CERAMIC,MLC-AXIAL:220pF,10%,50V,Y5P,TP.		
RR14	2001-000786	R-CARBON:47Kohm,5%,1/8W,AA,TP1.8x3.2mm			KC9	2202-000809	C-CERAMIC,MLC-AXIAL:3.3nF,20%,16V,Y5V,-.		
FR19	2001-000786	R-CARBON:47Kohm,5%,1/8W,AA,TP1.8x3.2mm			FC22	2301-000361	C-FILM,PEF:1.2nF,10%,50V,TP,-5mm		
DR31	2001-000786	R-CARBON:47Kohm,5%,1/8W,AA,TP1.8x3.2mm			FC21	2301-000375	C-FILM,PEF:100nF,10%,TP,50V,11x12.5x6.5.		
CR6	2001-000786	R-CARBON:47Kohm,5%,1/8W,AA,TP1.8x3.2mm			FC23	2301-000375	C-FILM,PEF:100nF,10%,TP,50V,11x12.5x6.5.		
CR3	2001-000786	R-CARBON:47Kohm,5%,1/8W,AA,TP1.8x3.2mm			FC24	2301-000375	C-FILM,PEF:100nF,10%,TP,50V,11x12.5x6.5.		
BR11	2001-000786	R-CARBON:47Kohm,5%,1/8W,AA,TP1.8x3.2mm			FC25	2301-000375	C-FILM,PEF:100nF,10%,TP,50V,11x12.5x6.5.		
FR25	2001-000802	R-CARBON:5.6Kohm,5%,1/8W,AA,TP1.8x3.2mm			FC26	2301-000375	C-FILM,PEF:100nF,10%,TP,50V,11x12.5x6.5.		
FR24	2001-000802	R-CARBON:5.6Kohm,5%,1/8W,AA,TP1.8x3.2mm			DC9	2301-000375	C-FILM,PEF:100nF,10%,TP,50V,11x12.5x6.5.		
AR5	2001-000864	R-CARBON:56Kohm,5%,1/8W,AA,TP1.8x3.2mm			AC11	2301-000375	C-FILM,PEF:100nF,10%,TP,50V,11x12.5x6.5.		
FR4	2001-000864	R-CARBON:56Kohm,5%,1/8W,AA,TP1.8x3.2mm			AC12	2301-000375	C-FILM,PEF:100nF,10%,TP,50V,11x12.5x6.5.		
FR5	2001-000864	R-CARBON:56Kohm,5%,1/8W,AA,TP1.8x3.2mm			DC26	2301-000375	C-FILM,PEF:100nF,10%,TP,50V,11x12.5x6.5.		
AR12	2001-000864	R-CARBON:56Kohm,5%,1/8W,AA,TP1.8x3.2mm			DC30	2301-000375	C-FILM,PEF:100nF,10%,TP,50V,11x12.5x6.5.		
AR13	2001-000864	R-CARBON:56Kohm,5%,1/8W,AA,TP1.8x3.2mm			DC7	2301-000375	C-FILM,PEF:100nF,10%,TP,50V,11x12.5x6.5.		
AR4	2001-000864	R-CARBON:56Kohm,5%,1/8W,AA,TP1.8x3.2mm			DC9A	2301-000379	C-FILM,PEF:10nF,10%,50V,TP,6x12x3.5mm,-.		
DR40	2001-000890	R-CARBON:6.8Kohm,5%,1/8W,AA,TP1.8x3.2mm			DC27	2301-000379	C-FILM,PEF:10nF,10%,50V,TP,6x12x3.5mm,-.		
DR27	2001-000890	R-CARBON:6.8Kohm,5%,1/8W,AA,TP1.8x3.2mm			DC23	2301-000393	C-FILM,PEF:18nF,10%,50V,TP,7x12x4mm,-.		
DR26	2001-000890	R-CARBON:6.8Kohm,5%,1/8W,AA,TP1.8x3.2mm			DC3	2301-000393	C-FILM,PEF:18nF,10%,50V,TP,7x12x4mm,-.		
DR25	2001-000890	R-CARBON:6.8Kohm,5%,1/8W,AA,TP1.8x3.2mm			DC21	2301-000404	C-FILM,PEF:2.2nF,10%,50V,TP,5.5x12x3mm,-.		
DR14	2001-000890	R-CARBON:6.8Kohm,5%,1/8W,AA,TP1.8x3.2mm			DC20	2301-000404	C-FILM,PEF:2.2nF,10%,50V,TP,5.5x12x3mm,-.		
DR21	2001-000890	R-CARBON:6.8Kohm,5%,1/8W,AA,TP1.8x3.2mm			DC19	2301-000404	C-FILM,PEF:2.2nF,10%,50V,TP,5.5x12x3mm,-.		
DR22	2001-000890	R-CARBON:6.8Kohm,5%,1/8W,AA,TP1.8x3.2mm			DC18	2301-000407	C-FILM,PEF:2.7nF,10%,50V,TP,5.5x12x3mm,-.		
DR43	2001-000924	R-CARBON:680ohm,5%,1/8W,AA,TP1.8x3.2mm			FC20	2301-000454	C-FILM,PEF:5.6nF,10%,50V,TP,6x12x3.5mm		
DR20	2001-000924	R-CARBON:680ohm,5%,1/8W,AA,TP1.8x3.2mm			FC19	2301-000454	C-FILM,PEF:5.6nF,10%,50V,TP,6x12x3.5mm		
DR17	2001-000924	R-CARBON:680ohm,5%,1/8W,AA,TP1.8x3.2mm			AC1A	2401-000240	C-AL:100uF,20%,10V,GP,TP,5x11.5		
DR16	2001-000924	R-CARBON:680ohm,5%,1/8W,AA,TP1.8x3.2mm			GC2	2401-000240	C-AL:100uF,20%,10V,GP,TP,5x11.5		
HR2B	2001-000977	R-CARBON:8.2KOHM,5%,1/8W,AA,TP1.8x3.2mm			AC4	2401-000357	C-AL:100uF,0.2,50V,GP,8*12.5MM,SSL		
HR2A	2001-000977	R-CARBON:8.2KOHM,5%,1/8W,AA,TP1.8x3.2mm			AC5	2401-000357	C-AL:100uF,0.2,50V,GP,8*12.5MM,SSL		
DR41	2001-000977	R-CARBON:8.2KOHM,5%,1/8W,AA,TP1.8x3.2mm			AC6	2401-000357	C-AL:100uF,0.2,50V,GP,8*12.5MM,SSL		
DR11	2001-000977	R-CARBON:8.2KOHM,5%,1/8W,AA,TP1.8x3.2mm			RC13	2401-000357	C-AL:100uF,0.2,50V,GP,8*12.5MM,SSL		
BR2	2001-001000	R-CARBON:82Kohm,5%,1/8W,AA,TP1.8x3.2mm			RC14	2401-000357	C-AL:100uF,0.2,50V,GP,8*12.5MM,SSL		
BR1	2001-001000	R-CARBON:82Kohm,5%,1/8W,AA,TP1.8x3.2mm			RC9A	2401-000438	C-AL:10uF,20%,25V,GP,-5x11.5mm		
DR21A	2001-001004	R-CARBON:82ohm,5%,1/4W,AA,TP2.4x6.4mm			DC37	2401-000438	C-AL:10uF,20%,25V,GP,-5x11.5mm		
DR32	2001-001077	R-CARBON(S):150ohm,5%,1/2W,AA,TP2.4x6.4			CC5	2401-000438	C-AL:10uF,20%,25V,GP,-5x11.5mm		
RR26	2001-001093	R-CARBON(S):2.2Kohm,5%,1/2W,AA,TP2.4x6.4			AC1	2401-000438	C-AL:10uF,20%,25V,GP,-5x11.5mm		
DR28	2001-001096	R-CARBON(S):2.2ohm,5%,1/2W,AA,TP2.4x6.4			AC20	2401-000438	C-AL:10uF,20%,25V,GP,-5x11.5mm		
RR36	2001-001153	R-CARBON(S):47ohm,5%,1/2W,AA,TP2.4x6.4mm			AC21	2401-000438	C-AL:10uF,20%,25V,GP,-5x11.5mm		
RR35	2001-001153	R-CARBON(S):47ohm,5%,1/2W,AA,TP2.4x6.4mm			RC7A	2401-000830	C-AL:220uF,20%,25V,GP,TP,8x11.5,5		
AR9	2003-000008	R-METAL OXIDE(S):100ohm,5%,1W,AA,TP,3.3x			RC9	2401-000830	C-AL:220uF,20%,25V,GP,TP,8x11.5,5		
AR17	2003-000689	R-METAL OXIDE(S):4.7ohm,5%,1W,AA,TP,3.3x			RC10	2401-000907	C-AL:22uF,20%,16V,GP,TP,5x11mm,5mm		
AR15	2003-000689	R-METAL OXIDE(S):4.7ohm,5%,1W,AA,TP,3.3x			FC18	2401-000907	C-AL:22uF,20%,16V,GP,TP,5x11mm,5mm		
DSR2	2103-000248	VR-SEMI:200Kohm,30%,1/10W,TP			CC1	2401-000907	C-AL:22uF,20%,16V,GP,TP,5x11mm,5mm		
DSR1	2103-000248	VR-SEMI:200Kohm,30%,1/10W,TP			BC1	2401-000970	C-AL:22uF,20%,50V,WT,TP,5x11.5		
HC5	2201-000146	C-CERAMIC,DISC:0.1NF,5%,50V,SL,TP,5X3.5M			KC18	2401-001022	C-AL:3.3UF,20%,50V,GP,TP,5X11.5		
HC6	2201-000146	C-CERAMIC,DISC:0.1NF,5%,50V,SL,TP,5X3.5M			KC20	2401-001022	C-AL:3.3UF,20%,50V,GP,TP,5X11.5		
TC8	2201-000146	C-CERAMIC,DISC:0.1NF,5%,50V,SL,TP,5X3.5M			KC21	2401-001022	C-AL:3.3UF,20%,50V,GP,TP,5X11.5		
TC9	2201-000146	C-CERAMIC,DISC:0.1NF,5%,50V,SL,TP,5X3.5M			FC3	2401-001022	C-AL:3.3UF,20%,50V,GP,TP,5X11.5		
FC13	2201-000146	C-CERAMIC,DISC:0.1NF,5%,50V,SL,TP,5X3.5M			DC5	2401-001022	C-AL:3.3UF,20%,50V,GP,TP,5X11.5		
FC8	2201-000146	C-CERAMIC,DISC:0.1NF,5%,50V,SL,TP,5X3.5M			DC32	2401-001022	C-AL:3.3UF,20%,50V,GP,TP,5X11.5		
HC1	2201-000146	C-CERAMIC,DISC:0.1NF,5%,50V,SL,TP,5X3.5M			DC34A	2401-001080	C-AL:330nF,20%,50V,GP,5*11.5mm,TP		
HC2	2201-000146	C-CERAMIC,DISC:0.1NF,5%,50V,SL,TP,5X3.5M			DC1	2401-001102	C-AL:330uF,20%,16V,GP,TP,8x11.5mm,5		
RC5	2201-000161	C-CERAMIC,DISC:10NF,+80-20%,500V,Y5V,TP.			BC2	2401-001538	C-AL:47uF,20%,25V,GP,TP,5x11mm,5mm		
RC6	2201-000161	C-CERAMIC,DISC:10NF,+80-20%,500V,Y5V,TP.			RC11	2401-001625	C-AL:6.8uF,20%,50V,GP,TP,5x11.5		
CC2A	2201-000300	C-CERAMIC,DISC:1NF,20%,50V,YST,TP,5X3MM,			FC9	2401-001625	C-AL:6.8uF,20%,50V,GP,TP,5x11.5		
DC12	2201-000300	C-CERAMIC,DISC:1NF,20%,50V,YST,TP,5X3MM,			FC12	2401-001625	C-AL:6.8uF,20%,50V,GP,TP,5x11.5		
DC13	2201-000300	C-CERAMIC,DISC:1NF,20%,50V,YST,TP,5X3MM,			WC3	2401-001893	C-AL:100uF,20%,16V,GP,6*7.5MM,TP		
DC14	2201-000300	C-CERAMIC,DISC:1NF,20%,50V,YST,TP,5X3MM,			TC6	2401-001893	C-AL:100uF,20%,16V,GP,6*7.5MM,TP		
DC15	2201-000300	C-CERAMIC,DISC:1NF,20%,50V,YST,TP,5X3MM,			HC4	2401-001893	C-AL:100uF,20%,16V,GP,6*7.5MM,TP		
DC29	2201-000300	C-CERAMIC,DISC:1NF,20%,50V,YST,TP,5X3MM,			HC3	2401-001893	C-AL:100uF,20%,16V,GP,6*7.5MM,TP		
DC33	2201-000300	C-CERAMIC,DISC:1NF,20%,50V,YST,TP,5X3MM,			CC4	2401-001893	C		

Location no	Code no.	Description	Specifiation	Remarks
FC31	2401-001912	C-AL;1uF,20%,50V,GP5*11,5mm,TP		
HC4A	2401-001931	C-AL;220nF,20%,50V,-,TP,4x7mm,5		
FC1	2401-001954	C-AL;4.7uF,20%,50V,GP,TP,5x11mm,5mm		
FC4	2401-001954	C-AL;4.7uF,20%,50V,GP,TP,5x11mm,5mm		
RC7	2401-001954	C-AL;4.7uF,20%,50V,GP,TP,5x11mm,5mm		
RC8	2401-001954	C-AL;4.7uF,20%,50V,GP,TP,5x11mm,5mm		
DC36	2401-001954	C-AL;4.7uF,20%,50V,GP,TP,5x11mm,5mm		
FC2	2401-001968	C-AL;470nF,20%,50V,GP,TP,5x11mm,5mm		
DC11	2401-001975	C-AL;47uF,20%,16V,GP,TP,5x11mm,5mm		
DC22	2401-001975	C-AL;47uF,20%,16V,GP,TP,5x11mm,5mm		
DC28	2401-001975	C-AL;47uF,20%,16V,GP,TP,5x11mm,5mm		
DC34	2401-001975	C-AL;47uF,20%,16V,GP,TP,5x11mm,5mm		
HC6A	2401-001975	C-AL;47uF,20%,16V,GP,TP,5x11mm,5mm		
WC1	2401-001975	C-AL;47uF,20%,16V,GP,TP,5x11mm,5mm		
DC6	2401-002180	C-AL;2.2uF,20%,50V,GP,TP,5x11mm,5mm		
DC4	2401-002180	C-AL;2.2uF,20%,50V,GP,TP,5x11mm,5mm		
DC31	2401-002180	C-AL;2.2uF,20%,50V,GP,TP,5x11mm,5mm		
DC25	2401-002180	C-AL;2.2uF,20%,50V,GP,TP,5x11mm,5mm		
DC24	2401-002180	C-AL;2.2uF,20%,50V,GP,TP,5x11mm,5mm		
AC3	2401-002180	C-AL;2.2uF,20%,50V,GP,TP,5x11mm,5mm		
AC2	2401-002180	C-AL;2.2uF,20%,50V,GP,TP,5x11mm,5mm		
HC8	2401-002180	C-AL;2.2uF,20%,50V,GP,TP,5x11mm,5mm		
HC7	2401-002180	C-AL;2.2uF,20%,50V,GP,TP,5x11mm,5mm		
FC6	2401-002180	C-AL;2.2uF,20%,50V,GP,TP,5x11mm,5mm		
FC5	2401-002180	C-AL;2.2uF,20%,50V,GP,TP,5x11mm,5mm		
DC8	2401-002180	C-AL;2.2uF,20%,50V,GP,TP,5x11mm,5mm		
CL1	2701-000178	INDUCTOR-AXIAL;33uH,10%,3x7mm		
CL2	2701-000178	INDUCTOR-AXIAL;33uH,10%,3x7mm		
DL2	2701-000298	INDUCTOR-AXIAL;470uH,10%,4.2x9.8mm		
JW93	3301-000297	CORE-FERRITE BEAD;AA,3.6x1.2x5.7mm,1400,		
PPF1-1	3602-000147	FUSE-CLIP;250V,7.5A,30mohm		
PPF1	3602-000147	FUSE-CLIP;250V,7.5A,30mohm		
JW5	3811-000130	WIRE-PVC CU;BCWA,300V,60mm,7/0.16mm,#26,		
JW7	3811-000130	WIRE-PVC CU;BCWA,300V,60mm,7/0.16mm,#26,		
RQ2	AC14-12001G	IC;KA78L05,T,-		
MAIN PCB	AH41-00540A	PCB;MAX-S720/ZS720/VST20,NS,SINGLE		SNA
	AH92-01809A	ASSY PCB-POWER;MAX-S720		COMMON
PPC2	2201-000546	C-CERAMIC.DISC;4.7nF,20%,400V,Y5U,BK,16x		
PPC1	2201-000546	C-CERAMIC.DISC;4.7nF,20%,400V,Y5U,BK,16x		
PPF2	3601-000170	FUSE-CARTRIDGE;250V,1.6A,TIME-LAG,GLASS,		
PPCW2	3711-000190	CONNECTOR-HEADER;1WALL,2P,1R,7.92MM,STRA		
PPL1	AH27-10001F	COIL-CHOKE;27uH,K,Q30,-,DR(6.5*7.5),-,		
PPL2	AH27-10001F	COIL-CHOKE;27uH,K,Q30,-,DR(6.5*7.5),-,		
RCW1A	AH39-00245A	LEAD CONNECTOR ASSY;MX-G50,#1007,22AWG,U		
	AH94-01176A	ASSY TAPG-POWER;MAX-S720,HIGH,POWER TAPG		
PPF1*2	3602-000147	FUSE-CLIP;250V,7.5A,30mohm		
	AH41-00550A	PCB;MAX-S720/ZS720/VST20,NS,SINGLE		SNA

4. Block Diagram

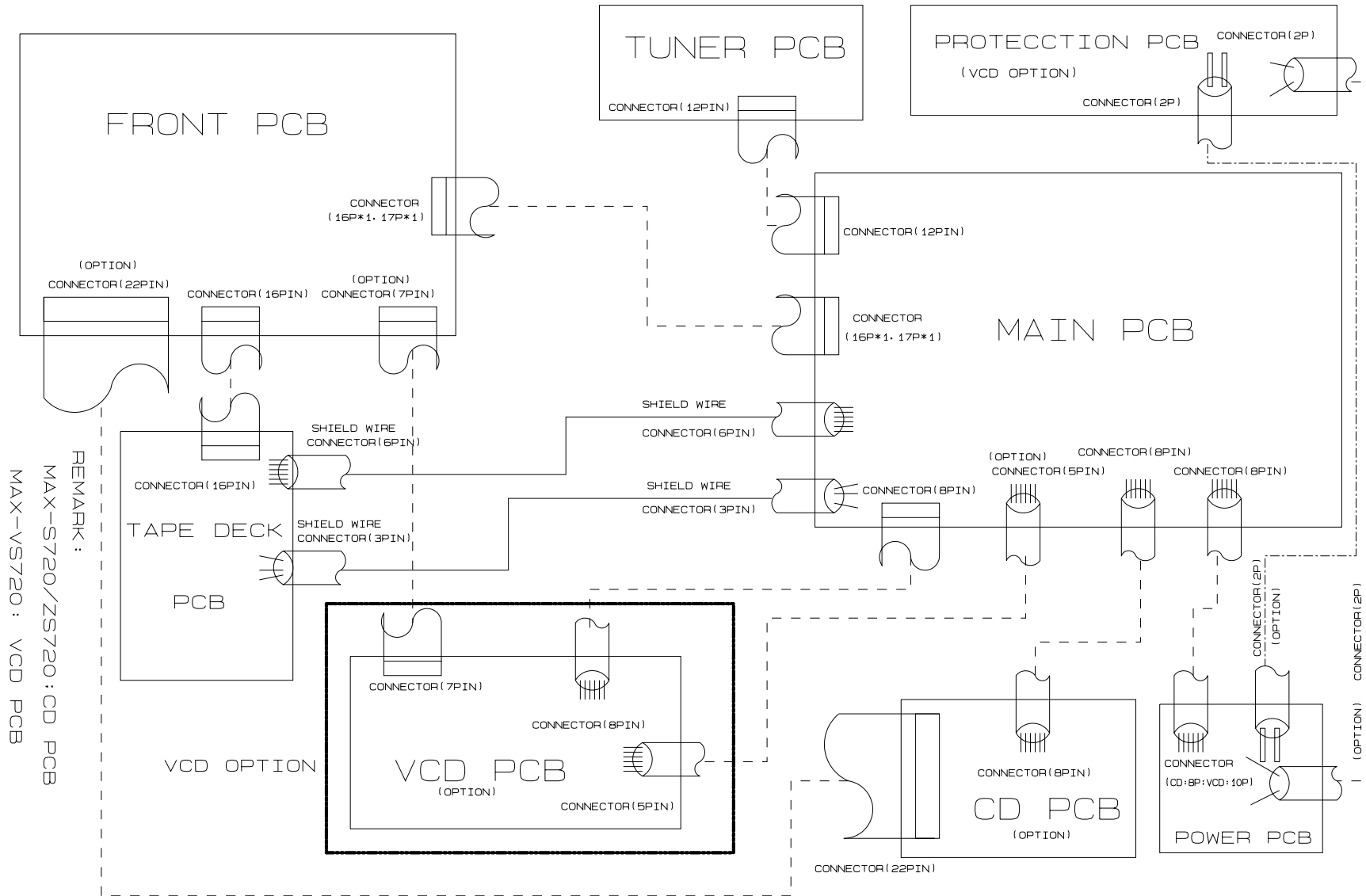
4-1 MAIN





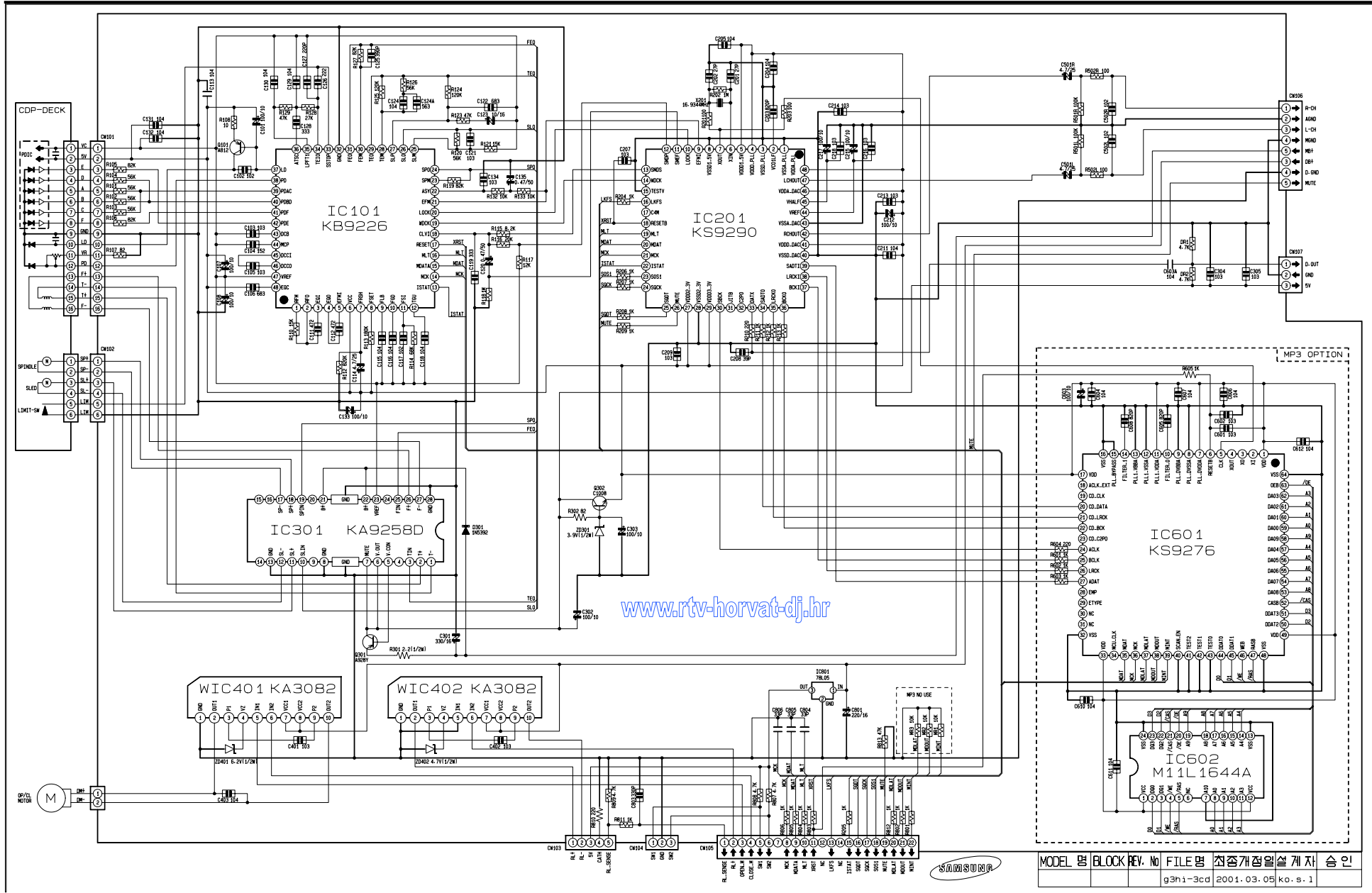
6. Wiring Diagram(COMMON)

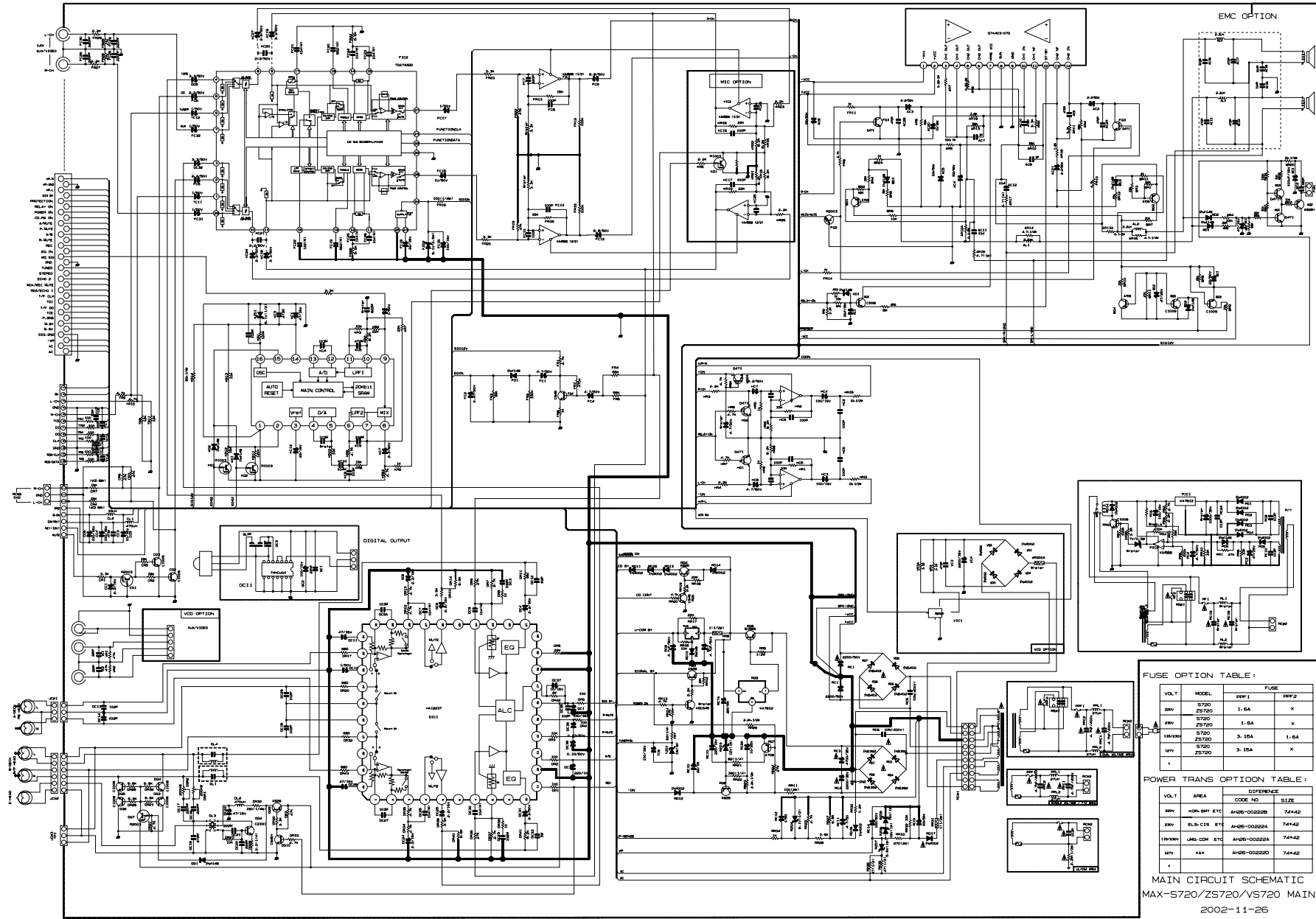
MODEL : MAX-S720/ZS720/VS720 WIRE SCHEMATIC



7. Schematic Diagram

7-1 CD/MP3 Parts (COMMON)





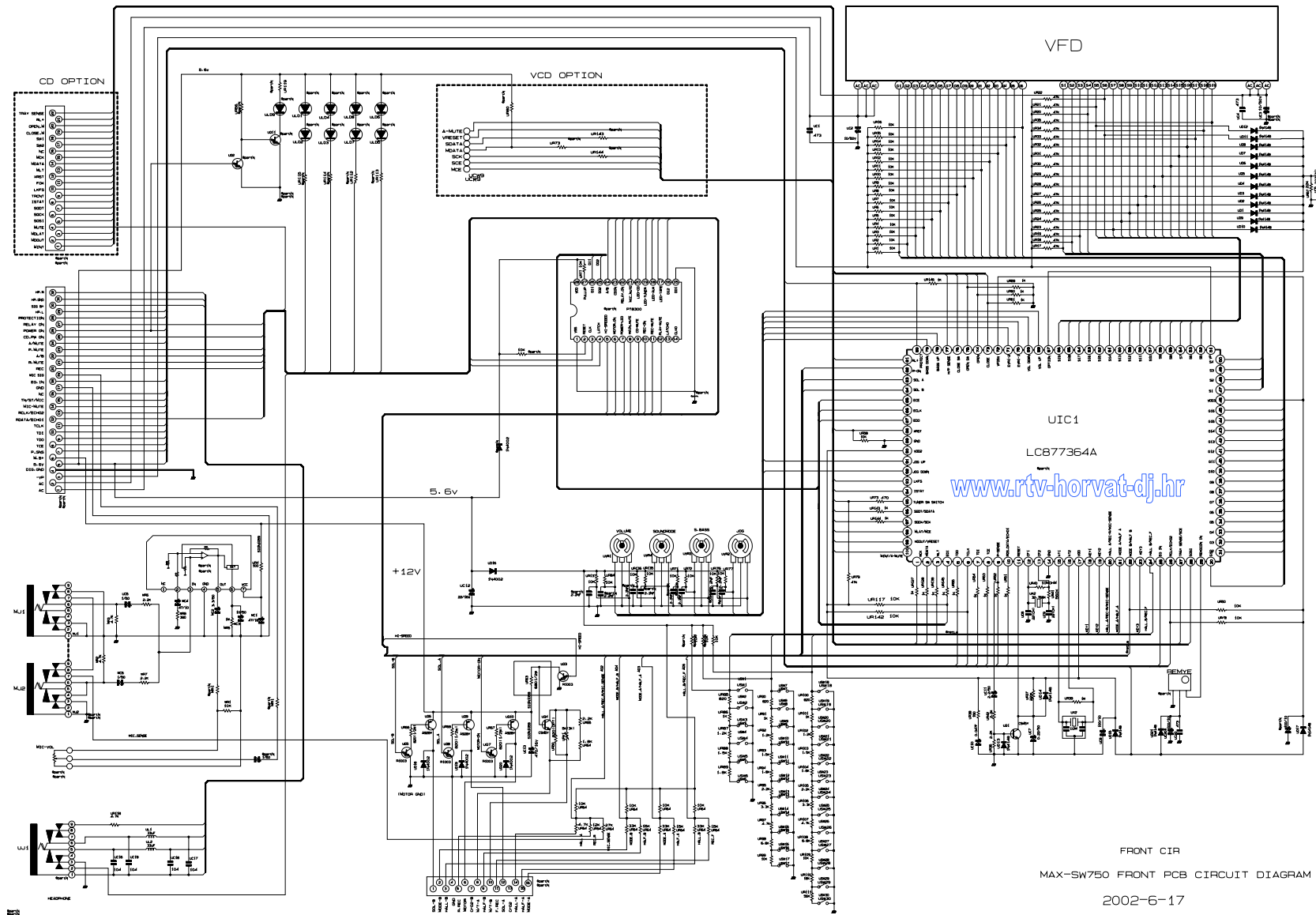
FUSE OPTION TABLE:

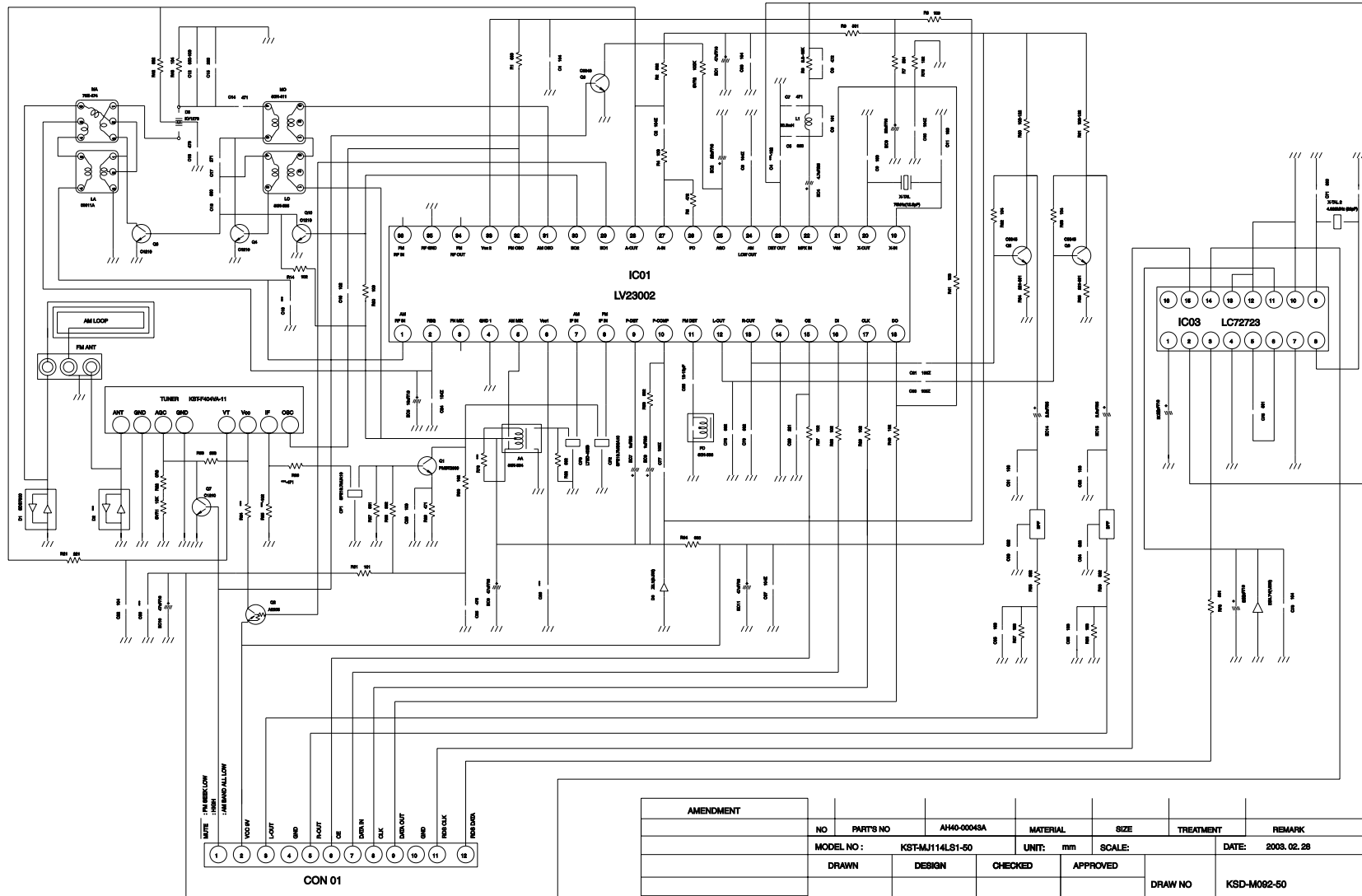
VOL.T	MODEL	FUSE	
		PSF1	PSF2
20V	S720 ZS720	1.6A	X
20V	S720 ZS720	1.6A	X
10V-20V	S720 ZS720	3.15A	1.6A
10V	S720 ZS720	3.15A	X

POWER TRANS OPTION TABLE:

VOL.T	AREA	REFERENCE	
		CODE NO.	SIZE
20V	HSP-MF ETC	AHQ-00220B	7442
20V	EL-S-CTB ETC	AHQ-00220A	7442
10V/20V	LAG-COM ETC	AHQ-00220A	7442
20V	MAX	AHQ-00220D	7442

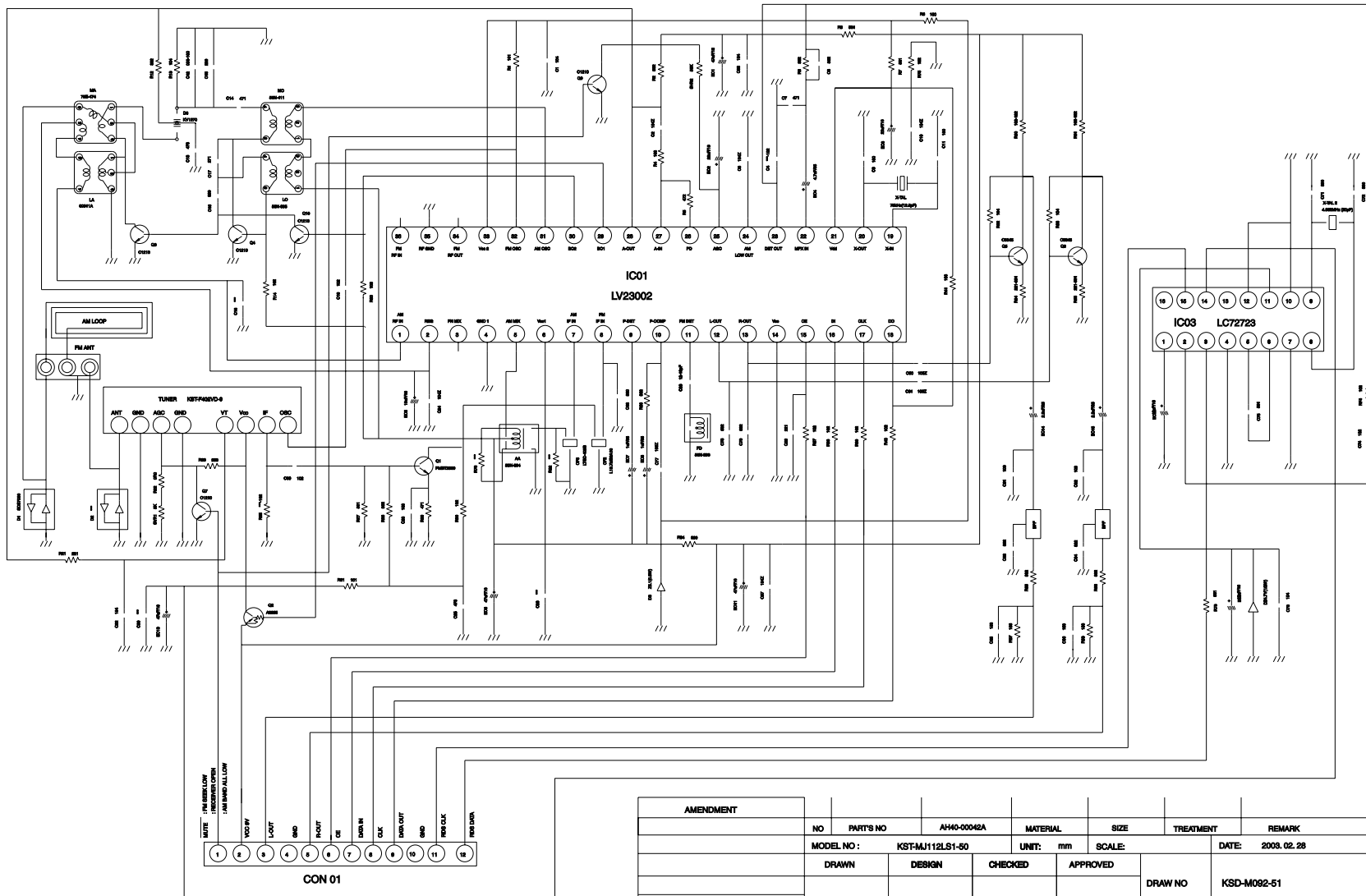
MAIN CIRCUIT SCHEMATIC
MAX-S720/ZS720/VS720 MAIN
2002-11-26





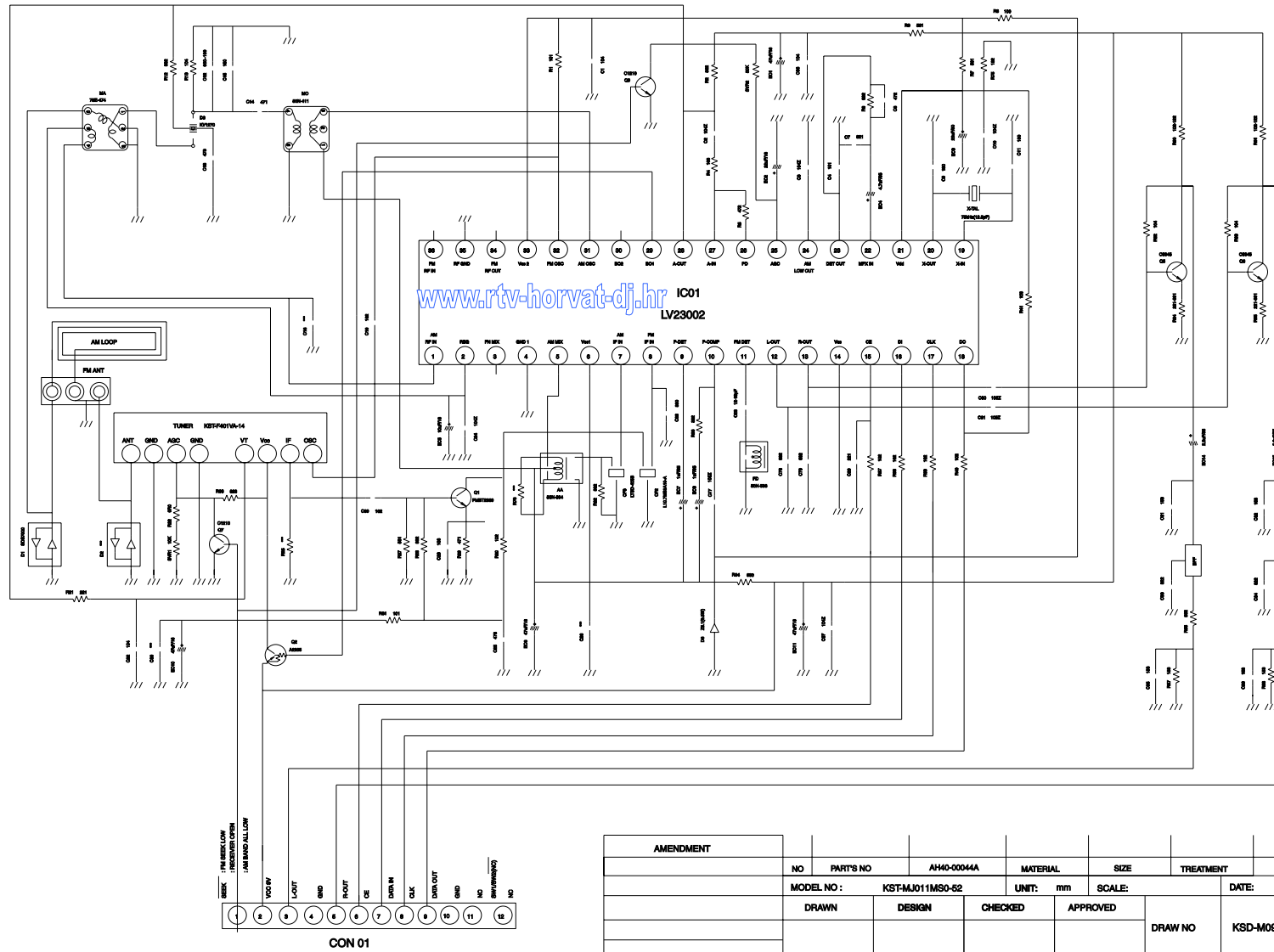
AMENDMENT							
NO	PART'S NO	AH40-00048A	MATERIAL	SIZE	TREATMENT	REMARK	
MODEL NO :		KST-MJ114LS1-50	UNIT: mm	SCALE:	DATE: 2003.02.28		
DRAWN	DESIGN	CHECKED	APPROVED	DRAW NO		KSD-M092-50	
				NAME		SCHEMATIC DIAGRAM	

KWANG SUNG ELECTRONICS CO.,LTD.



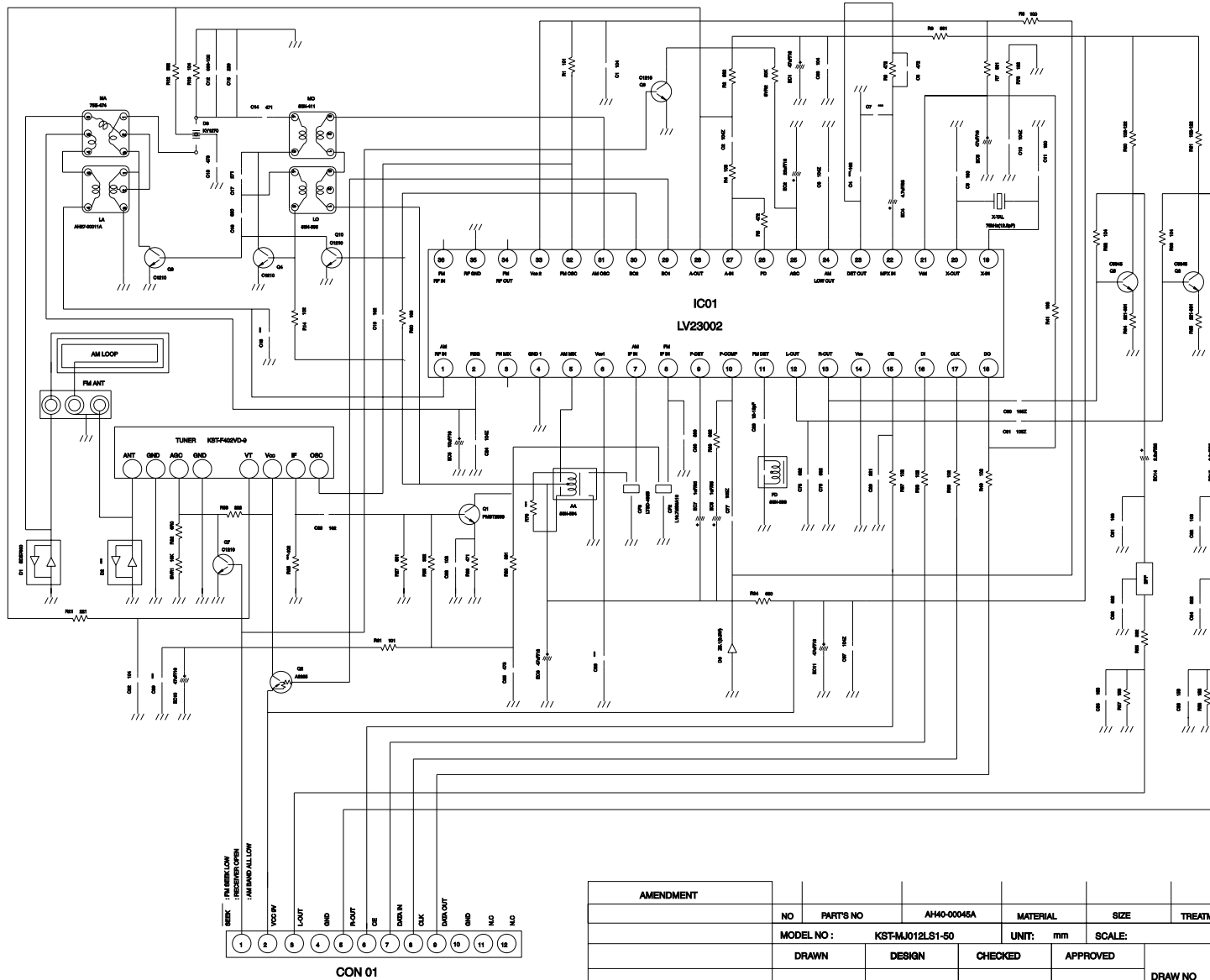
AMENDMENT							
NO	PART'S NO	AH40-00042A	MATERIAL	SIZE	TREATMENT	REMARK	
MODEL NO :		KST-MJ112LS1-50	UNIT: mm	SCALE:	DATE: 2008.02.28		
DRAWN		DESIGN	CHECKED	APPROVED	DRAW NO	KSD-M092-51	
					NAME	SCHEMATIC DIAGRAM	

KWANG SUNG ELECTRONICS CO.,LTD.



AMENDMENT						
NO	PARTS NO	AH40-00044A	MATERIAL	SIZE	TREATMENT	REMARK
MODEL NO :	KST-MJ011MS0-52		UNIT: mm	SCALE:		DATE: 2008.02.28
DRAWN	DESIGN	CHECKED	APPROVED		DRAW NO	KSD-M092-52

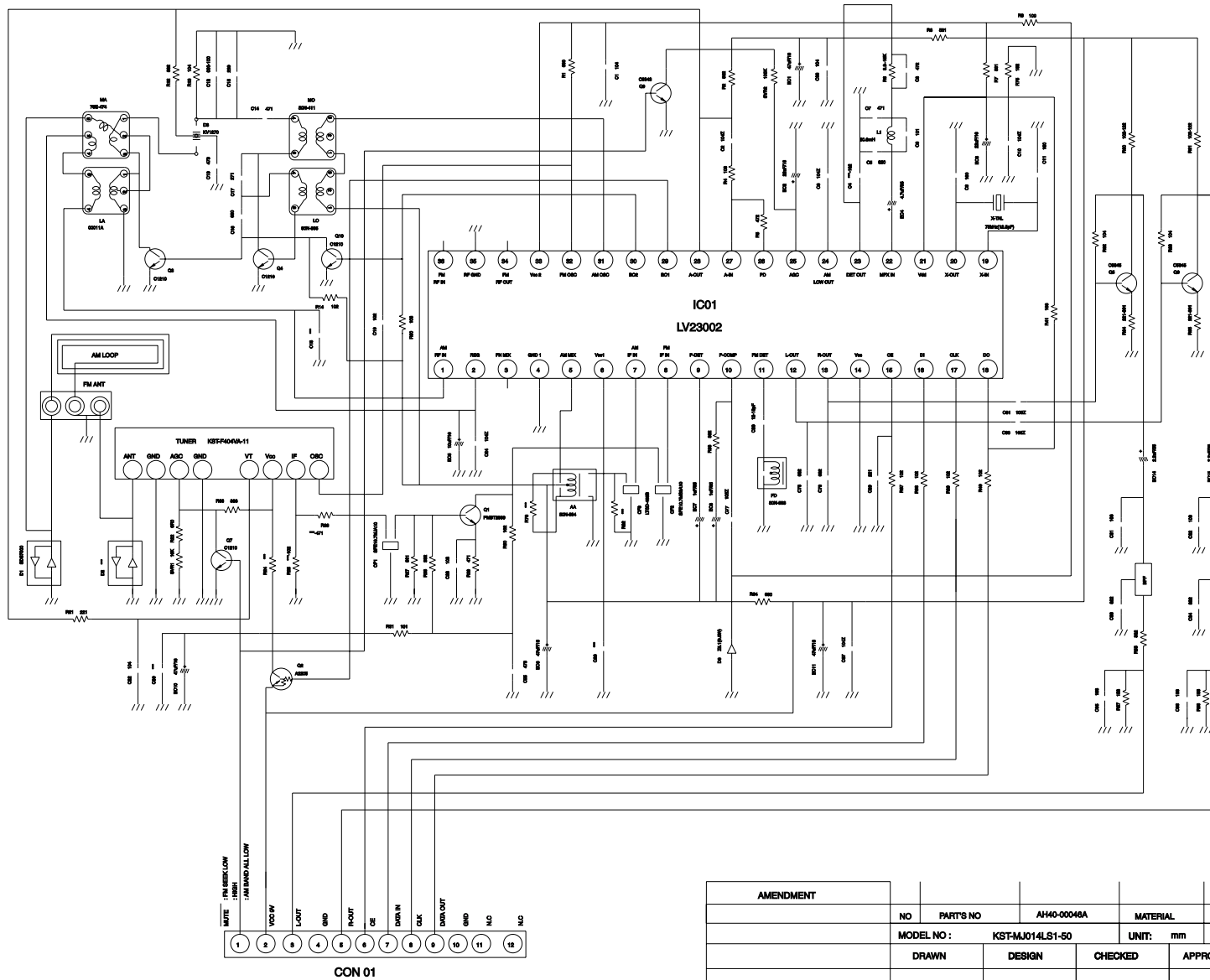
KWANG SUNG ELECTRONICS CO.,LTD.



AMENDMENT							
NO	PART'S NO	AI40-00045A	MATERIAL	SIZE	TREATMENT	REMARK	
MODEL NO :		KST-MJ012LS1-50	UNIT:	mm	SCALE:	DATE: 2003.02.28	
DRAWN	DESIGN	CHECKED	APPROVED	DRAW NO		KSD-M092-511	
				NAME		SCHEMATIC DIAGRAM	

KWANG SUNG ELECTRONICS CO.,LTD.

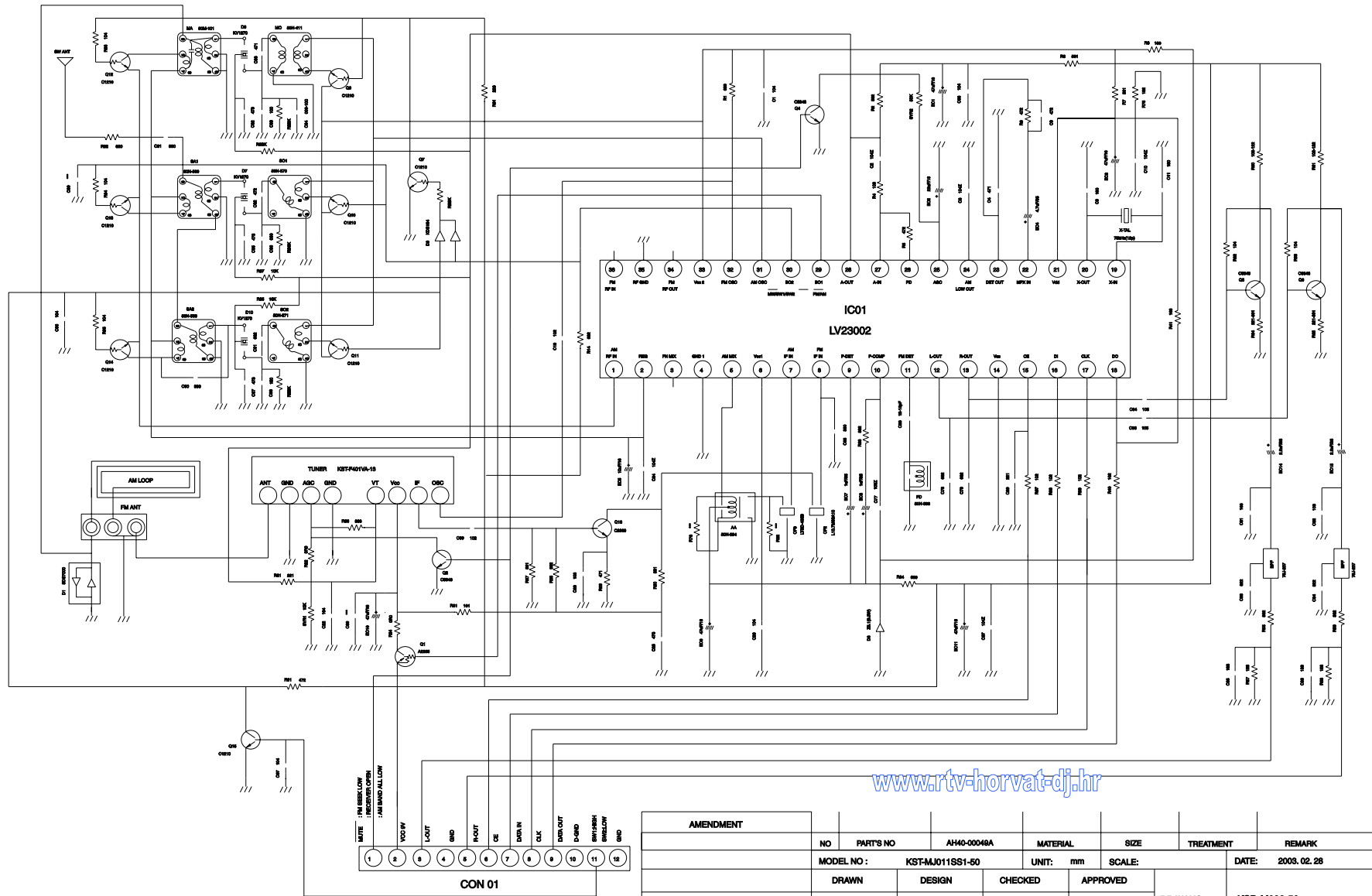
7-8 TUNER (L-BAND)



AMENDMENT							
NO	PART'S NO	AH40-00046A	MATERIAL	SIZE	TREATMENT	REMARK	
MODEL NO :		KST-MJ014LS1-50	UNIT:	mm	SCALE:	DATE: 2003. 02. 28	
DRAWN		DESIGN	CHECKED	APPROVED	DRAW NO	KSD-M092-50	
					NAME	SCHEMATIC DIAGRAM	

KWANG SUNG ELECTRONICS CO.,LTD.

7-9 TUNER (SW-BAND)



AMENDMENT						
NO	PART'S NO	AH40-0048A	MATERIAL	SIZE	TREATMENT	REMARK
MODEL NO :		KST-MJ011SS1-50	UNIT: mm	SCALE:	DATE:	2003.02.28
DRAWN		DESIGN	CHECKED	APPROVED	DRAW NO	KSD-M092-56
NAME		SCHEMATIC DIAGRAM				

KWANG SUNG ELECTRONICS CO.,LTD.