



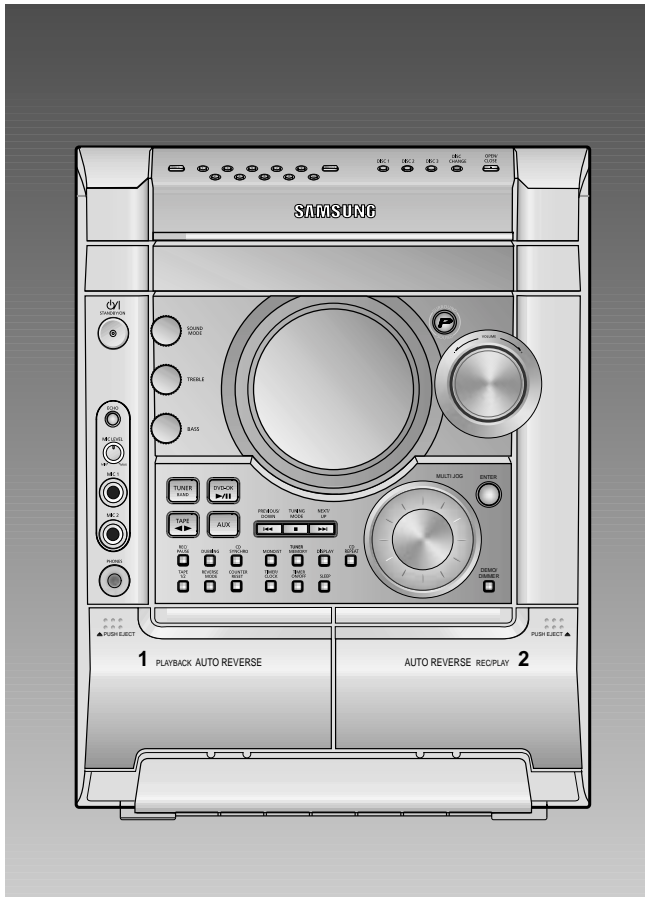
3 DVD CHANGER MINI MINI COMPONENT

Basic Model: MAX-KJ730

* Application Model:
MAX-KJ730Q/XFO, MAX-KJ740Q/XFO
MAX-KT75Q/XFO, MAX-KT85Q/XFO

SERVICE Manual

MIMI MIMI COMPONENT SYSTEM



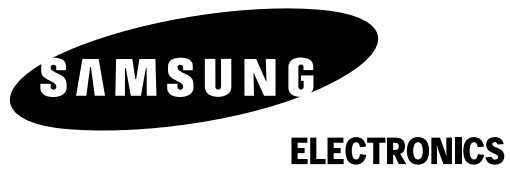
CONTENTS

1. Alignment and Adjustments
2. Exploded Views and Parts List
3. Electrical Parts List
4. Block Diagrams
5. Wiring Diagram
6. Schematic Diagrams



You can search for the updated part code through ITSELF web site.
URL; <http://itself.sec.samsung.co.kr>

- Confidential -

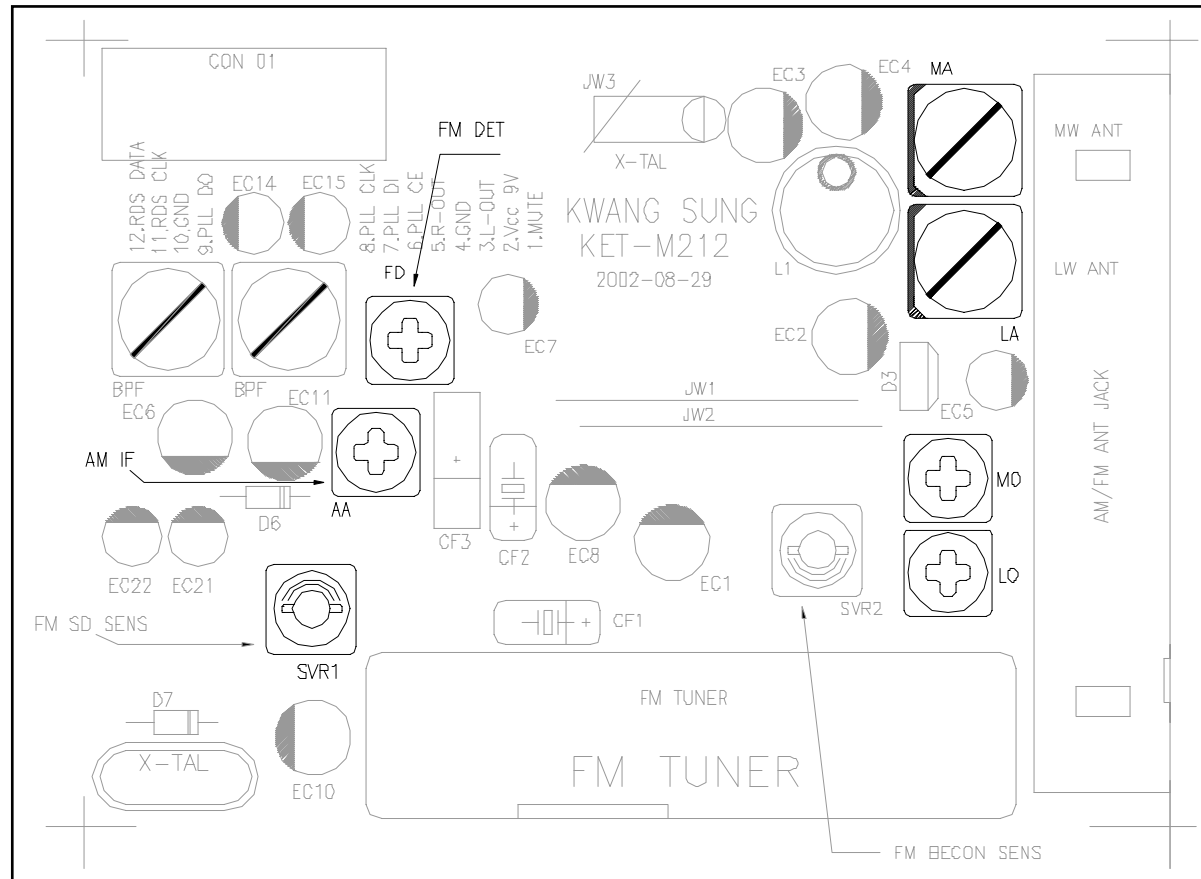


This Service Manual is a property of Samsung Electronics Co.,Ltd.
Any unauthorized use of Manual can be punished under applicable
international and/or domestic law.

© Samsung Electronics Co.,Ltd. AUG. 2004
Printed in Korea
Code no. AH68-01599Q

1. Alignment and Adjustments

1-1. Tuner



* Adjustment Location of Tuner PCB

ITEM	AM(MW) OSC Adjustment	AM(MW) RF Adjustment	LW OSC Adjustment	LW RF Adjustment
Received FREQ.	522~1611 KHz	594 KHz	146~290 KHz	150 KHz
Adjustment point	MO	MA	LO	LA
Output	1~7.0±0.5V	Maximum Output(Fig1-4)	2~7.0±0.5V	Maximum Output(Fig1-4)

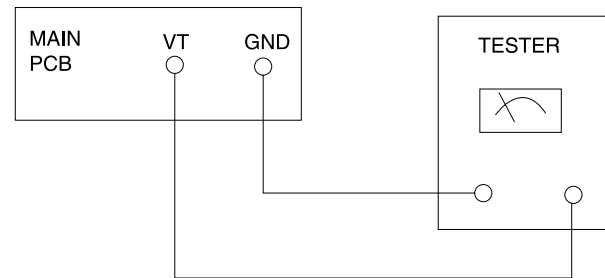


Fig 1-4 OSC Voltage

FM THD Adjustment	
SSG FREQ.	98 MHz
Adjustment point (FM DET)	FM DETECTOR COIL
Output	60 dB
Minimum Distortion (0.4% below) (Figure 1-1)	

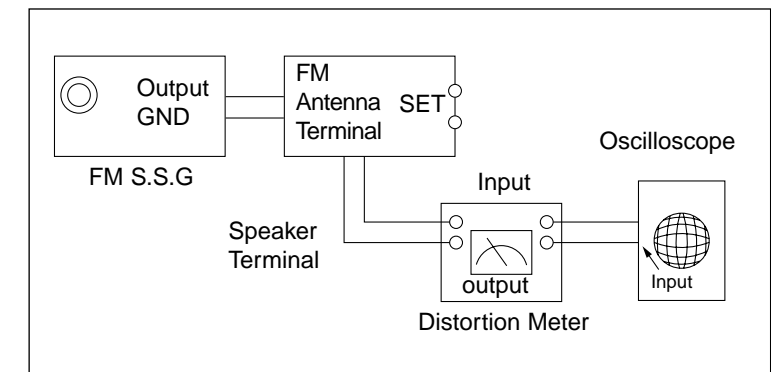


Figure1-1 IF CENTER and THD Adjustment

FM Search Level Adjustment	
SSG FREQ.	98 MHz
Adjustment point (SVR1)	BEACON SENSITIVITY SEMI-VR(10KΩ)
Output	28 dB(±2dB)
Adjust SVR1 (Figure 1-2)	

*Adjust FM S.S.G level to 28dB

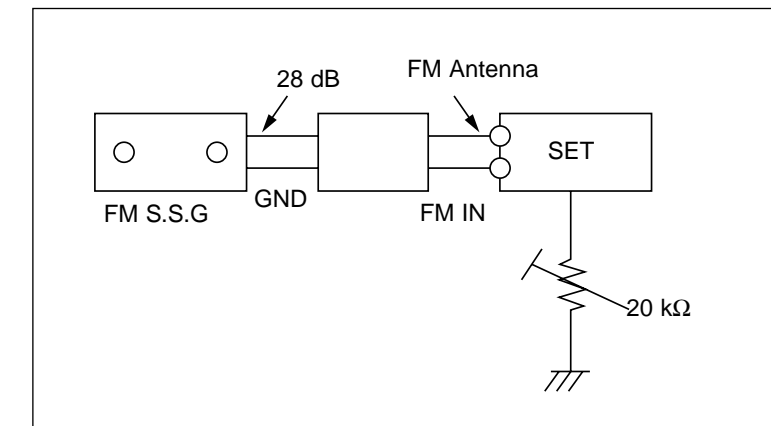


Figure1-2 FM Auto Search Level Adjustment

AM(MW) I.F Adjustment	
SSG FREQ.	450 kHz
Frequency	522 kHz
Adjustment point	AM IF
Maximum output (Figure 1-3)	

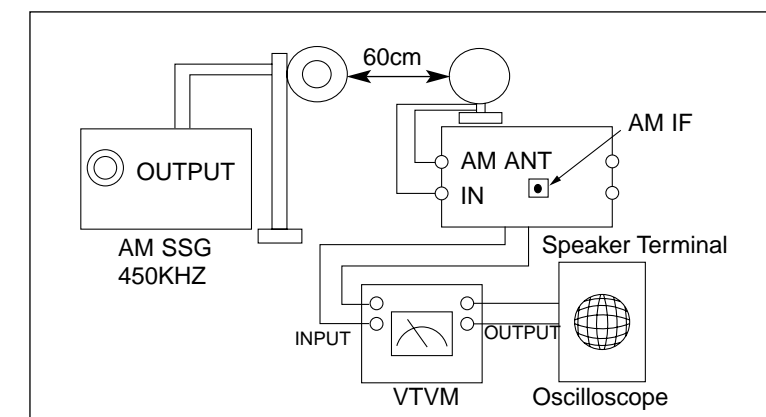


Figure1-3 AM I.F Adjustment

1-1-2 AM(MW),LW,SW1,SW2 Adjustment

Circuit to be Adjusted	Measuring Instrument & Arrangement	Step	S.S.G Frequency	Radio dial Setting	Adjusting Point	Adjust for	
AM (MW)	OSC Connect AM signal generator to loop antenna,VTVM AND oscilloscope (Fig 1-3)	1	522KHz	522KHz	MW OSC	Adjust for 1.0V±0.1V at the low. (IR117)	
		2	1611KHz	1611KHz	MW OSC	Check for 7.0V±1.0V at the high. (IR117)	
	RF	"	1	594KHz	594KHz	MW ANT	Maximum out
	INTER FREQ	"	1	455KHz	522KHz	TL2	Maximum out
LW	OSC Fig 1-3	1		146KHz	LW OSC	Adjust for 2.0V±0.1V at the low.	
		2		290KHz	LW OSC	Check for 7.0V±1.0V at the high.	
	RF		1	150KHz	150KHz	LW ANT	Maximum out
SW1	OSC Fig 1-3	1		2.3MHz	SW1 OSC	Adjust for 1.0V±0.1V at the low.	
		2		7.3MHz	-	Check for 8.5V±1.0V at the high.	
	RF		1	3.5MHz	3.5MHz	SW1 ANT	Maximum out
SW2	OSC Fig 1-3	1		9.5MHz	SW2 OSC	Adjust for 1.5V±0.1V at the low.	
		2		26.1MHz	-	Check for 8.0V±1.0V at the high.	
	RF		1	10MHz	10MHz	SW2 ANT	Maximum out

2. Cassette Deck

2-1. To Adjust Tape Speed

Notes

1) Measuring tape: i) MTT-111 (or equivalent)
(Tapes recorded with 3kHz)
ii) MTT-5512 (or equivalent)

2) Connect the SPK OUT of the MAIN PCB to the frequency counter as in figure 1-5.

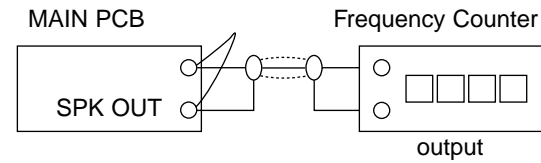


Figure 1-5

Step	Item	Pre-Setup Condition	Pre-Setup	To Adjust	Standard	Remark
1	NOR SPEED Control	SPK OUT (connected to the frequency counter)	1) Deck 1:MTT-111 2) Press PLAY SW button 3) Deck 2:Same as above	Turn VSR1 to left and right (FRONT PCB)	3KHz	±1% range

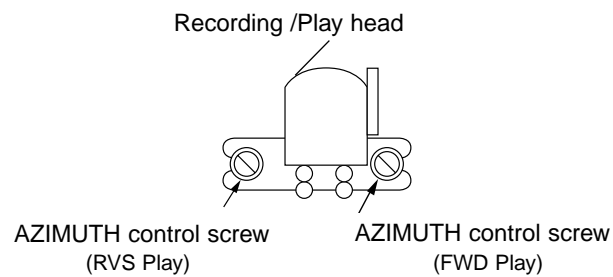


Figure 1-6

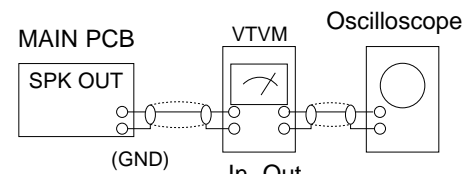


Figure 1-7

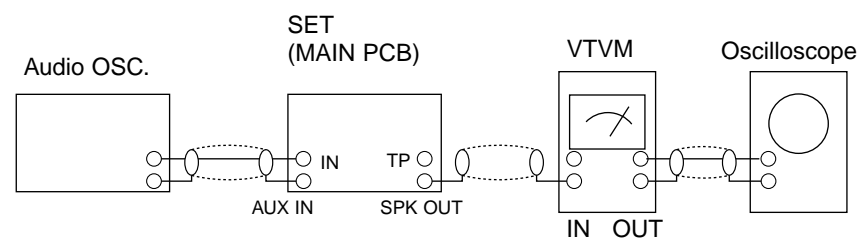


Figure 1-8

2-2. To Adjust PlayBack Level/REC

Notes

1) Before the actual adjustment, clean the play/recording head.

2) Measuring tape :
i) MTT-114N(or equivalent 10kHz AZIMUTH control)
ii) MTT-5512

3) The cassette deck is connections as shown in figure 1-7.

1. Adjust Deck 1 Play Level

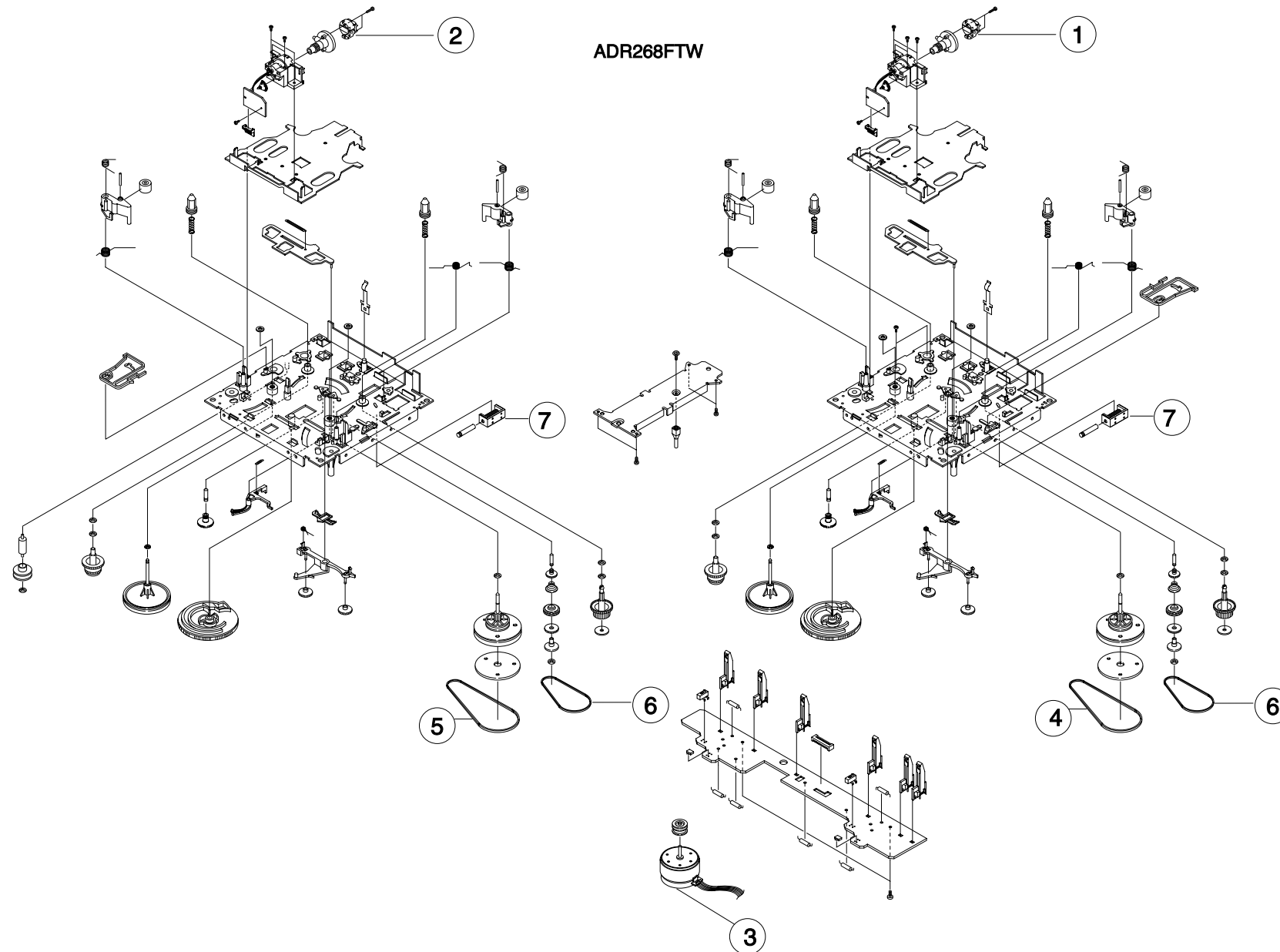
Step	Item	Pre-Setup Condition	Pre-Setup	To Adjust	Standard	Remark
1	AZIMUTH	SPK OUT (VTVM is connected to the scope)	After putting MTT-114N into Deck 1 - Press FWD PLAY button.	- Turn the control screw to as shown in Figure 1-6.	Max output and same phase (both channels)	After adjustment secure it with REGION LOCK.

2. Adjust Deck 2 Play Level/ REC BIAS

Step	Item	Pre-Setup Condition	Pre-Setup	To Adjust	Standard	Remark
1	AZIMUTH	SPK OUT (VTVM is connected to the scope)	After putting MTT-114N into Deck 2 - Press FWD PLAY button.	- Turn the control screw to as shown in Figure 1-6.	MAX OUTPUT and same phase (both channels)	After adjustment secure it with REGION LOCK.
2	Recording Bias Voltage	Fig 1-8	After putting MTT-5512 into Deck 2 1) Press REC PLAY button. 2) TAPE PCB JCW3 ,connected to VTVM	- Turn JSR2L,JSR2R to the right and left	CHECK TO 7mV(±0.5mV)	

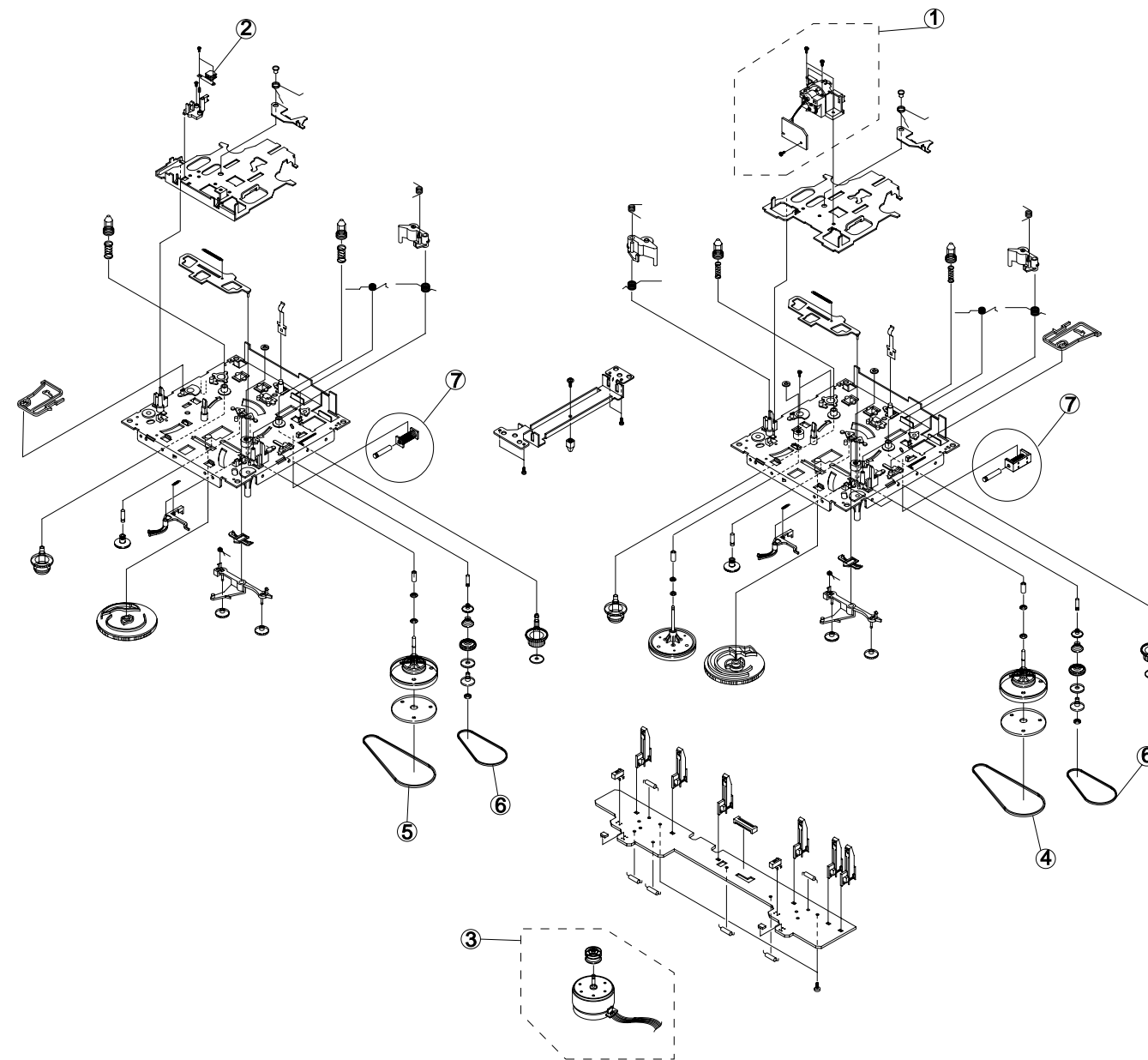
2.Exploded Views and Parts List

2-1-1 Cassette Deck :ADR268FTW1 (OPTION)



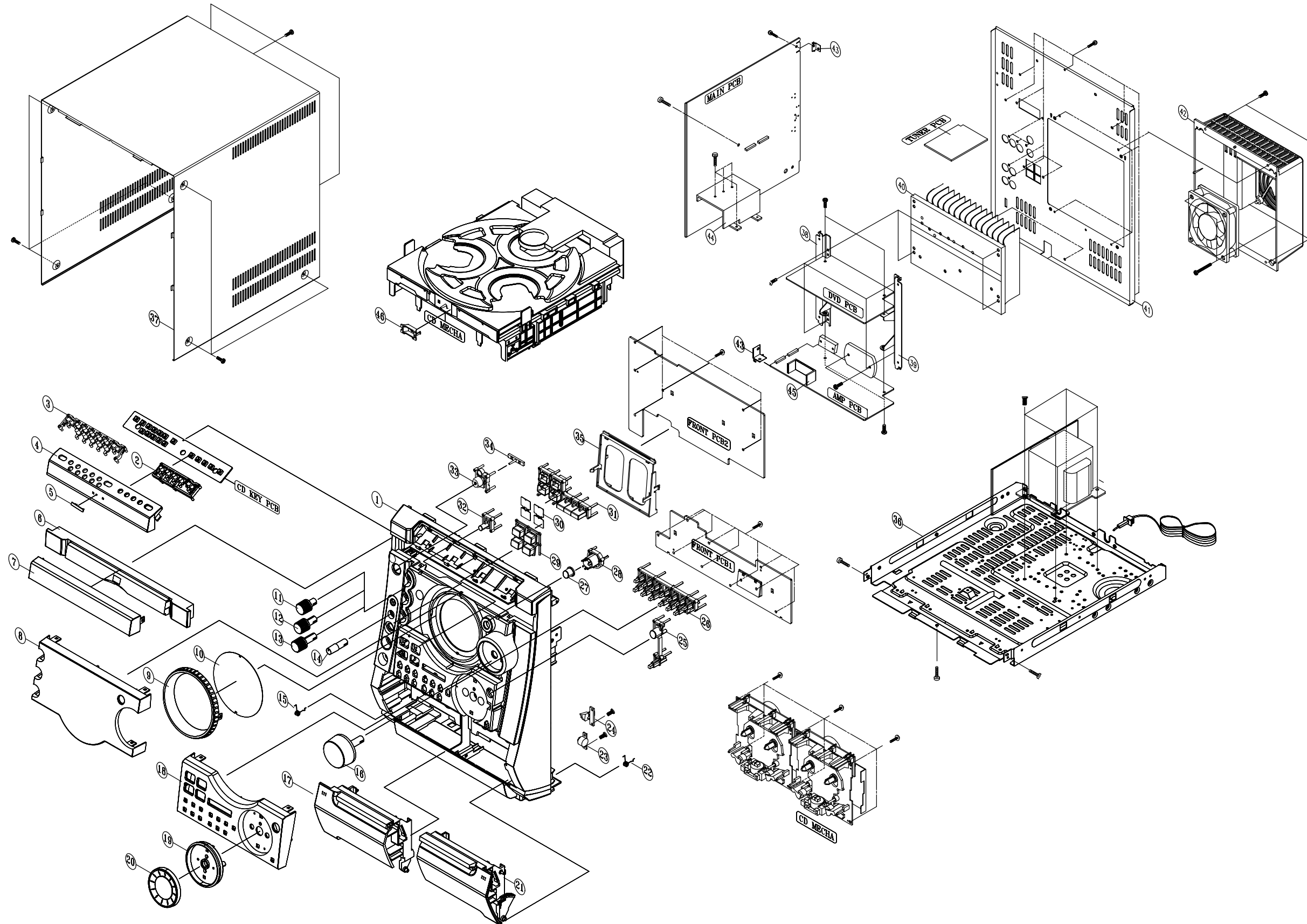
No.	Code No.	Description	Specification	Remarks
	AH59-01146A	DECK-CASSETTE	ADR268FTW1	
1	AH81-01030A	ASSY R/P HEAD	TR56R-AA2N1	MT91-11012W
2	AH81-01033A	ASSY P/B HEAD	DZK10P-122N3	MT91-11013C
3	AH81-00422A	ASSY MOTOR	ADR246DSW	MT91-15013Y
4	AH81-00364A	BELT MAIN1	ADR246DSW	6602-001056
5	AH81-00365A	BELT MAIN2	ADR246FTW	6602-001010
6	AH81-00101A	BELT SUB	34.1*1.1*1.1	6602-001055
7	AH81-00102A	SOLENOID	DAT-05A1	MT75-00049A

2-1-2 Cassette Deck :ADR268AMW1 (OPTION)



No.	Code No.	Description	Specification	Remarks
	AH59-01145A	DECK-CASSETTE	ADR268AMW1	
1	AH81-00368A	ASSY R/P HEAD	ADR2400 (SANKYO)	MT91-11010T
2	AH81-00141B	ASSY P/B HEAD	MK10P-AA2N3	MT59-00041V
3	AH81-00363A	ASSY MOTOR	ADR246DSW	MT91-15012J
4	AH81-00364A	BELT MAIN1	ADR246DSW	6602-001056
5	AH81-00365A	BELT MAIN2	ADR246DSW	6602-001057
6	AH81-00101A	BELT SUB	34.1*1.1*1.1	6602-001055
7	AH81-00102A	SOLENOID	DAT-05A1	MT75-00049A

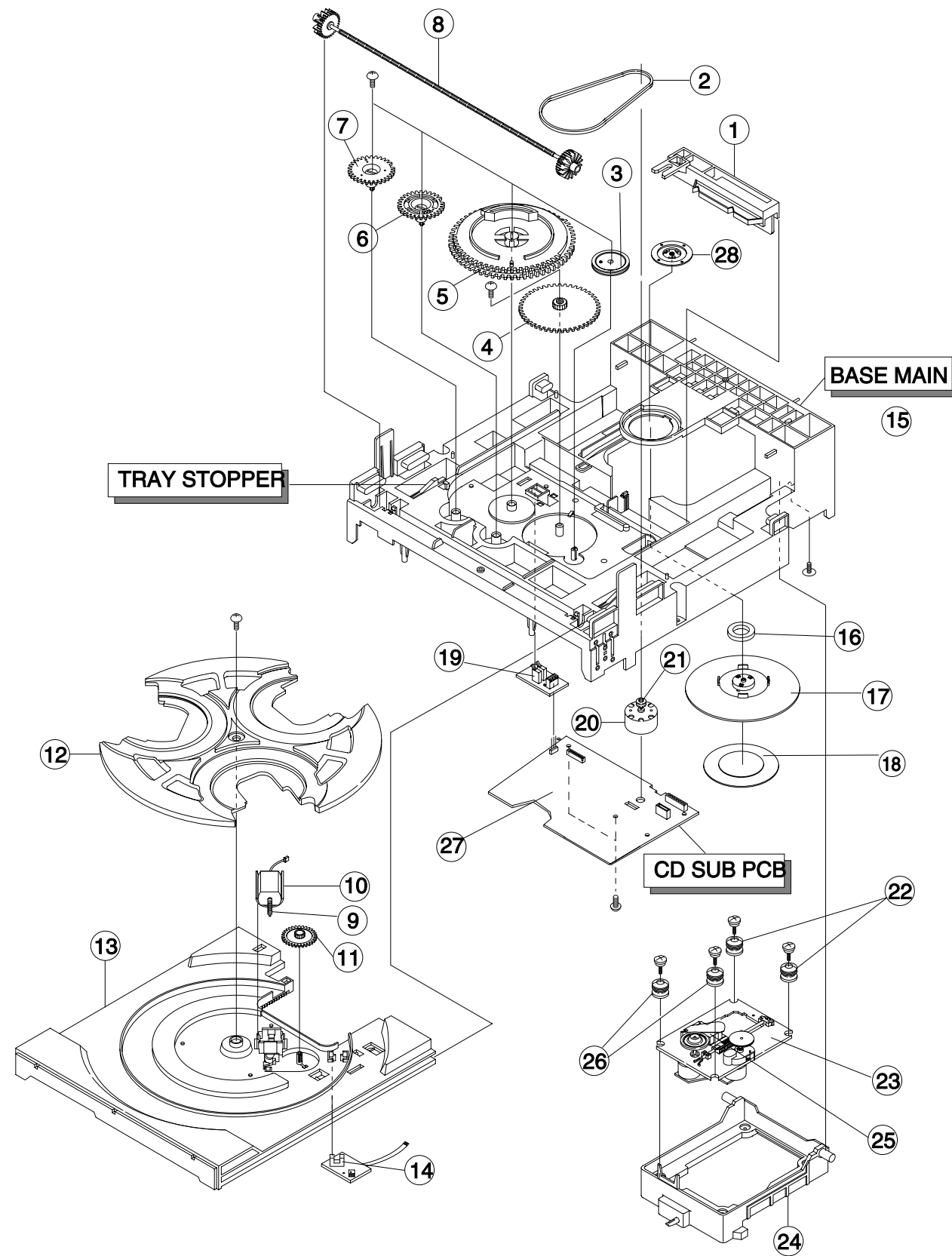
2-2 Total Exploded View and Parts List



* Parts List of Total Exploded view

NO	PART NAME	CODE NO	Q'TY
1	CABINET-FRONT	AH64-02780B	
2	KNOB-OPEN	AH64-02787C	
3	KNOB-KEYCON	AH64-02788B	
4	CAP-KEYCON	AH61-01527B	
5	BADGE-BRAND	AH64-70003K	
6	DOOR-DVD	AH64-02796B	
7	WINDOW-CD	AH64-02781E	
8	WINDOW-VFD	AH64-02782D	
9	DECO-VFD	AH64-02790B	
10	FILTER-VFD	AH63-00683A	
11	KNOB-ROTARY 1	AH64-02791B	
12	KNOB-ROTARY 2	AH64-02792B	
13	KNOB-ROTARY 3	AH64-02793B	
14	KNOB-MIC	AH64-02771B	
15	SPRING-EJECT,L	AH61-00552A	
16	KNOB-VOLUME	AH64-02768B	
17	DOOR-CASS.L	AH64-02764D	
18	CAP-FRONT	AH61-01526L	
19	DECO-JOG	AH64-02767B	
20	KNOB-JOG	AH64-02769B	
21	DOOR-CASS.R	AH64-02765B	
22	SPRING-EJECT,R	AH61-00553A	
23	DAMPER-ASSY	AH61-80030A	
24	ASSY-LATCH	AH95-50001A	
25	KNOB-ENTER	AH64-02785B	
26	KNOB-STOP	AH64-02784B	
27	LENS-P.SURR	AH67-00258B	
28	HOLDER-P.SURR	AH61-01513A	
29	LENS-FUNCTION	AH67-00261D	
30	FILTER-FUN	AH63-00684A	
31	KNOB-FUNCTION	AH64-02783B	
32	KNOB-ECHO	AH64-02772B	
33	KNOB-POWER	AH64-02770C	
34	LENS-POWER	AH67-00255A	
35	HOLDER-VFD	AH61-01522A	
36	CABINET-BOTTOM	AH64-02840A	
37	CABINET-TOP	AH64-00899A	
38	BRKT-H/SINK L	AH61-00973A	
39	BRKT-H/SINK R	AH61-00977A	
40	HEAT-SINK,M	AH62-00111C	
41	CABINET-REAR	AH64-02777G	
42	COVER-REAR	AH61-01514A	
43	BRKT-PCB	AH61-00685A	
44	HEAT-SINK,TR	AH62-00113A	
45	HEAT-SINK POWER	AH62-00102A	
46	LENS-DVD	AH67-00260B	

2-3 CD Deck Exploded View and Parts list



No.	Code No.	Description	Specification	Remarks
1	AH66-80022A	SLIDER-CAM	ABS HF-380 NTR	
2	AH66-60034A	BELT-LOAD	CR	
3	AH66-20186A	GEAR-PULLEY	POM (M90-44) WHT	
4	AH66-20187A	GEAR-LOAD	POM (M90-44) BLK	
5	AH66-20188B	GEAR-CAM	POM (M90-44) WHT	
6	AH66-20189B	GEAR-TRAY	POM (M90-44) BLK	
7	AH66-20190B	GEAR-CONVERT	POM (M90-44) WHT	
8	AH66-20191A	GEAR-SYNCRO	ABS HF-380 NTR	
9	AH66-20192A	GEAR-WORM	POM(M90-44),M0.5,PCD4.5	
10	AH31-12001A	MOTOR-LOADING	FF-030PN-09120	
11	AH66-20193A	GEAR-ROULLETE	POM(M90-44) BLK	
12	AH63-00324A	TRAY-ROULLETE	ABS XR-401 BLK	
13	AH63-00325A	TRAY-DISC	ABS BLK	
14	AH32-10001F	SENSOR	KPI-L06	
15	AH61-00837A	BASE-MAIN	ABS,NATURAL,CMS-300	
16	3302-000159	MAGNET	AC,3500-3800G,2.6-3.2MGOe,30	
17	AH63-90053A	TABLE-CHUCK	,ABS,+GF20%,BLK,	
18	AH63-00068B	SHEET-CHUCK	SHEET,HYMERON,BLK,0.4T	
19	3405-000101	SWITCH -MICRO	MLS-24	
20	AH31-10021A	MOTOR-DC	RF-500TB,9VDC/130MA	
21	AH66-10008A	PULLEY-MOTOR	POM,BLK,CMS-CR3	
22	AH73-10031A	RUBBER-CD(R)	SI,CMS-300,40,RED	
23	AH91-60150C	CDP DECK ASSY	CMS-D73SG6U	
24	AH66-30098A	LEVER-LIFTER	ABS BLK CMS-300	
25	AH30-00007A	PICK-UP	SOH-AD3	
26	AH73-10034A	RUBBER-CD(G)	SI,CMS-300,40,GREEN	
27	AH92-00922A	ASS'Y PCB CD MAIN		
28	AH61-00225A	BRKT-CHUCK	SECL 0.8t	

Location no	Code no.	Description	Specification	Remarks	Location no	Code no.	Description	Specification	Remarks
VR21	2007-000076	R-CHIP:330ohm,5%,1/10W,TP:1608			MR74	2007-000113	R-CHIP:33ohm,5%,1/10W,TP:1608		
VR22	2007-000076	R-CHIP:330ohm,5%,1/10W,TP:1608			MR18	2007-000113	R-CHIP:33ohm,5%,1/10W,TP:1608		
VR23	2007-000076	R-CHIP:330ohm,5%,1/10W,TP:1608			MR2	2007-000113	R-CHIP:33ohm,5%,1/10W,TP:1608		
VR24	2007-000076	R-CHIP:330ohm,5%,1/10W,TP:1608			MR24	2007-000113	R-CHIP:33ohm,5%,1/10W,TP:1608		
VR13	2007-000076	R-CHIP:330ohm,5%,1/10W,TP:1608			MR25	2007-000113	R-CHIP:33ohm,5%,1/10W,TP:1608		
VR14	2007-000076	R-CHIP:330ohm,5%,1/10W,TP:1608			MR3	2007-000113	R-CHIP:33ohm,5%,1/10W,TP:1608		
VR15	2007-000076	R-CHIP:330ohm,5%,1/10W,TP:1608			MR32	2007-000113	R-CHIP:33ohm,5%,1/10W,TP:1608		
VR16	2007-000076	R-CHIP:330ohm,5%,1/10W,TP:1608			MR33	2007-000113	R-CHIP:33ohm,5%,1/10W,TP:1608		
VR17	2007-000076	R-CHIP:330ohm,5%,1/10W,TP:1608			MR98	2007-000113	R-CHIP:33ohm,5%,1/10W,TP:1608		
VR18	2007-000076	R-CHIP:330ohm,5%,1/10W,TP:1608			MR17	2007-000113	R-CHIP:33ohm,5%,1/10W,TP:1608		
MR99	2007-000077	R-CHIP:470ohm,5%,1/10W,TP:1608			MR16	2007-000113	R-CHIP:33ohm,5%,1/10W,TP:1608		
ADR7	2007-000078	R-CHIP:1Kohm,5%,1/10W,TP:1608			MR1	2007-000113	R-CHIP:33ohm,5%,1/10W,TP:1608		
AR4	2007-000078	R-CHIP:1Kohm,5%,1/10W,TP:1608			DR8	2007-000113	R-CHIP:33ohm,5%,1/10W,TP:1608		
AR5	2007-000078	R-CHIP:1Kohm,5%,1/10W,TP:1608			AR14A	2007-000113	R-CHIP:33ohm,5%,1/10W,TP:1608		
MR10	2007-000078	R-CHIP:1Kohm,5%,1/10W,TP:1608			ADR6	2007-000113	R-CHIP:33ohm,5%,1/10W,TP:1608		
SVR17	2007-000078	R-CHIP:1Kohm,5%,1/10W,TP:1608			MR83	2007-000113	R-CHIP:33ohm,5%,1/10W,TP:1608		
SVR15	2007-000078	R-CHIP:1Kohm,5%,1/10W,TP:1608			MR89	2007-000113	R-CHIP:33ohm,5%,1/10W,TP:1608		
SVR14	2007-000078	R-CHIP:1Kohm,5%,1/10W,TP:1608			MR90	2007-000113	R-CHIP:33ohm,5%,1/10W,TP:1608		
RR7	2007-000078	R-CHIP:1Kohm,5%,1/10W,TP:1608			MR91	2007-000113	R-CHIP:33ohm,5%,1/10W,TP:1608		
RR5	2007-000078	R-CHIP:1Kohm,5%,1/10W,TP:1608			MR94	2007-000113	R-CHIP:33ohm,5%,1/10W,TP:1608		
MR8	2007-000078	R-CHIP:1Kohm,5%,1/10W,TP:1608			MR95	2007-000113	R-CHIP:33ohm,5%,1/10W,TP:1608		
MR72	2007-000078	R-CHIP:1Kohm,5%,1/10W,TP:1608			MR97	2007-000113	R-CHIP:33ohm,5%,1/10W,TP:1608		
MR71	2007-000078	R-CHIP:1Kohm,5%,1/10W,TP:1608			SVR6	2007-000118	R-CHIP:390ohm,5%,1/10W,TP:1608		
SVR3	2007-000078	R-CHIP:1Kohm,5%,1/10W,TP:1608			SVR5	2007-000118	R-CHIP:390ohm,5%,1/10W,TP:1608		
SVR20	2007-000078	R-CHIP:1Kohm,5%,1/10W,TP:1608			SVR4	2007-000118	R-CHIP:390ohm,5%,1/10W,TP:1608		
SVR19	2007-000078	R-CHIP:1Kohm,5%,1/10W,TP:1608			MR58	2007-000118	R-CHIP:390ohm,5%,1/10W,TP:1608		
MR46	2007-000082	R-CHIP:3.3Kohm,5%,1/10W,TP:1608			PR4	2007-000118	R-CHIP:390ohm,5%,1/10W,TP:1608		
MR45	2007-000082	R-CHIP:3.3Kohm,5%,1/10W,TP:1608			PR5	2007-000118	R-CHIP:390ohm,5%,1/10W,TP:1608		
MR44	2007-000082	R-CHIP:3.3Kohm,5%,1/10W,TP:1608			RR3	2007-000118	R-CHIP:390ohm,5%,1/10W,TP:1608		
MR43	2007-000082	R-CHIP:3.3Kohm,5%,1/10W,TP:1608			RR9	2007-000122	R-CHIP:1.2Kohm,5%,1/10W,TP:1608		
DR7	2007-000082	R-CHIP:3.3Kohm,5%,1/10W,TP:1608			RR8	2007-000122	R-CHIP:1.2Kohm,5%,1/10W,TP:1608		
MR112	2007-000084	R-CHIP:4.7Kohm,5%,1/10W,TP:1608			MR23	2007-000122	R-CHIP:1.2Kohm,5%,1/10W,TP:1608		
MR113	2007-000084	R-CHIP:4.7Kohm,5%,1/10W,TP:1608			DR32	2007-000123	R-CHIP:1.5Kohm,5%,1/10W,TP:1608		
MR21	2007-000084	R-CHIP:4.7Kohm,5%,1/10W,TP:1608			DR26	2007-000123	R-CHIP:1.5Kohm,5%,1/10W,TP:1608		
MR52	2007-000084	R-CHIP:4.7Kohm,5%,1/10W,TP:1608			AR7	2007-000125	R-CHIP:3.9Kohm,5%,1/10W,TP:1608		
MR54	2007-000084	R-CHIP:4.7Kohm,5%,1/10W,TP:1608			AR37	2007-000125	R-CHIP:3.9Kohm,5%,1/10W,TP:1608		
MR57	2007-000084	R-CHIP:4.7Kohm,5%,1/10W,TP:1608			AR35	2007-000125	R-CHIP:3.9Kohm,5%,1/10W,TP:1608		
AR22	2007-000084	R-CHIP:4.7Kohm,5%,1/10W,TP:1608			AR33	2007-000125	R-CHIP:3.9Kohm,5%,1/10W,TP:1608		
AR23	2007-000084	R-CHIP:4.7Kohm,5%,1/10W,TP:1608			AR27	2007-000125	R-CHIP:3.9Kohm,5%,1/10W,TP:1608		
AR24	2007-000084	R-CHIP:4.7Kohm,5%,1/10W,TP:1608			AR29	2007-000125	R-CHIP:3.9Kohm,5%,1/10W,TP:1608		
AR25	2007-000084	R-CHIP:4.7Kohm,5%,1/10W,TP:1608			AR31	2007-000125	R-CHIP:3.9Kohm,5%,1/10W,TP:1608		
DR25	2007-000084	R-CHIP:4.7Kohm,5%,1/10W,TP:1608			MR9	2007-000134	R-CHIP:33Kohm,5%,1/10W,TP:1608		
DR36	2007-000084	R-CHIP:4.7Kohm,5%,1/10W,TP:1608			RR6	2007-000308	R-CHIP:10ohm,5%,1/8W,TP:2012		
MR60	2007-000084	R-CHIP:4.7Kohm,5%,1/10W,TP:1608			RR4	2007-000308	R-CHIP:10ohm,5%,1/8W,TP:2012		
AR21	2007-000084	R-CHIP:4.7Kohm,5%,1/10W,TP:1608			ADR9	2007-000308	R-CHIP:10ohm,5%,1/8W,TP:2012		
AR20	2007-000084	R-CHIP:4.7Kohm,5%,1/10W,TP:1608			DR29	2007-000309	R-CHIP:10ohm,5%,1/10W,TP:1608		
AR16A	2007-000084	R-CHIP:4.7Kohm,5%,1/10W,TP:1608			AR69	2007-000309	R-CHIP:10ohm,5%,1/10W,TP:1608		
SVR2	2007-000084	R-CHIP:4.7Kohm,5%,1/10W,TP:1608			AR68	2007-000309	R-CHIP:10ohm,5%,1/10W,TP:1608		
MR68	2007-000084	R-CHIP:4.7Kohm,5%,1/10W,TP:1608			AR67	2007-000309	R-CHIP:10ohm,5%,1/10W,TP:1608		
MR67	2007-000084	R-CHIP:4.7Kohm,5%,1/10W,TP:1608			AR16	2007-000309	R-CHIP:10ohm,5%,1/10W,TP:1608		
MR64	2007-000084	R-CHIP:4.7Kohm,5%,1/10W,TP:1608			AR19	2007-000309	R-CHIP:10ohm,5%,1/10W,TP:1608		
MR37	2007-000087	R-CHIP:6.8Kohm,5%,1/10W,TP:1608			AR66	2007-000309	R-CHIP:10ohm,5%,1/10W,TP:1608		
MR30	2007-000087	R-CHIP:6.8Kohm,5%,1/10W,TP:1608			DR1	2007-000455	R-CHIP:18Kohm,1%,1/10W,TP:1608		
MR31	2007-000087	R-CHIP:6.8Kohm,5%,1/10W,TP:1608			DR4	2007-000483	R-CHIP:1ohm,5%,1/8W,TP:2012		
MR35	2007-000087	R-CHIP:6.8Kohm,5%,1/10W,TP:1608			DR3	2007-000483	R-CHIP:1ohm,5%,1/8W,TP:2012		
MR36	2007-000087	R-CHIP:6.8Kohm,5%,1/10W,TP:1608			DR13	2007-000483	R-CHIP:1ohm,5%,1/8W,TP:2012		
DR2	2007-000091	R-CHIP:12Kohm,5%,1/10W,TP:1608			DR12	2007-000483	R-CHIP:1ohm,5%,1/8W,TP:2012		
RR12	2007-000091	R-CHIP:12Kohm,5%,1/10W,TP:1608			PR3	2007-000608	R-CHIP:240ohm,5%,1/10W,TP:1608		
MR42	2007-000093	R-CHIP:20Kohm,5%,1/10W,TP:1608			PR6	2007-000643	R-CHIP:270ohm,5%,1/10W,TP:1608		
DR27	2007-000094	R-CHIP:22Kohm,5%,1/10W,TP:1608			ADR16	2007-000694	R-CHIP:3.3ohm,5%,1/8W,TP:2012		
DR30	2007-000094	R-CHIP:22Kohm,5%,1/10W,TP:1608			PR2	2007-000694	R-CHIP:3.3ohm,5%,1/8W,TP:2012		
AR47	2007-000097	R-CHIP:47Kohm,5%,1/10W,TP:1608			MR29	2007-000962	R-CHIP:5.1Kohm,1%,1/10W,TP:1608		
AR46	2007-000097	R-CHIP:47Kohm,5%,1/10W,TP:1608			MR27	2007-000962	R-CHIP:5.1Kohm,1%,1/10W,TP:1608		
AR45	2007-000097	R-CHIP:47Kohm,5%,1/10W,TP:1608			VR9	2007-001164	R-CHIP:75ohm,1%,1/10W,TP:1608		
AR48	2007-000097	R-CHIP:47Kohm,5%,1/10W,TP:1608			VR8	2007-001164	R-CHIP:75ohm,1%,1/10W,TP:1608		
AR49	2007-000097	R-CHIP:47Kohm,5%,1/10W,TP:1608			VR7	2007-001164	R-CHIP:75ohm,1%,1/10W,TP:1608		
AR8	2007-000097	R-CHIP:47Kohm,5%,1/10W,TP:1608			VR12	2007-001164	R-CHIP:75ohm,1%,1/10W,TP:1608		
AR44	2007-000097	R-CHIP:47Kohm,5%,1/10W,TP:1608			VR11	2007-001164	R-CHIP:75ohm,1%,1/10W,TP:1608		
AR10	2007-000097	R-CHIP:47Kohm,5%,1/10W,TP:1608			ADR15	2007-001167	R-CHIP:75ohm,5%,1/10W,TP:1608		
AR11	2007-000097	R-CHIP:47Kohm,5%,1/10W,TP:1608			ADR14	2007-001167	R-CHIP:75ohm,5%,1/10W,TP:1608		
AR12	2007-000097	R-CHIP:47Kohm,5%,1/10W,TP:1608			ADR13	2007-001167	R-CHIP:75ohm,5%,1/10W,TP:1608		
AR13	2007-000097	R-CHIP:47Kohm,5%,1/10W,TP:1608			ADR11	2007-001167	R-CHIP:75ohm,5%,1/10W,TP:1608		
AR15	2007-000097	R-CHIP:47Kohm,5%,1/10W,TP:1608			ADR10	2007-001167	R-CHIP:75ohm,5%,1/10W,TP:1608		
AR18	2007-000097	R-CHIP:47Kohm,5%,1/10W,TP:1608			AR17	2007-001179	R-CHIP:8.2Kohm,5%,1/10W,TP:1608		
AR9	2007-000097	R-CHIP:47Kohm,5%,1/10W,TP:1608			AR14	2007-001179	R-CHIP:8.2Kohm,5%,1/10W,TP:1608		
RR17	2007-000097	R-CHIP:47Kohm,5%,1/10W,TP:1608			RN1	2011-000651	R-NET:100HM,5%,1/16W,L,CHIP8P,TP:32		
RR16	2007-000097	R-CHIP:47Kohm,5%,1/10W,TP:1608			RN2	2011-000651	R-NET:100HM,5%,1/16W,L,CHIP8P,TP:32		
DR6	2007-000097	R-CHIP:47Kohm,5%,1/10W,TP:1608			RN3	2011-000651	R-NET:100HM,5%,1/16W,L,CHIP8P,TP:32		
DR11	2007-000097	R-CHIP:47Kohm,5%,1/10W,TP:1608			DC3	2203-000236	C-CER,CHIP:0.1NF,5%,50V,COG,TP:1608		
MR41	2007-000100	R-CHIP:68Kohm,5%,1/10W,TP:1608			DC5	2203-000236	C-CER,CHIP:0.1NF,5%,50V,COG,TP:1608		
SVR9	2007-000102	R-CHIP:100Kohm,5%,1/10W,TP:1608			RC21	2203-000257	C-CER,CHIP:10nF,10%,50V,X7R,TP:1608		
SVR11	2007-000102	R-CHIP:100Kohm,5%,1/10W,TP:1608			RC26	2203-000257	C-CER,CHIP:10nF,10%,50V,X7R,TP:1608		
SVR10	2007-000102	R-CHIP:100Kohm,5%,1/10W,TP:1608			RC28	2203-000257	C-CER,CHIP:10nF,10%,50V,X7R,TP:1608		
MR40	2007-000102	R-CHIP:100Kohm,5%,1/10W,TP:1608			SVC1	2203-000257	C-CER,CHIP:10nF,10%,50V,X7R,TP:1608		
MR111	2007-000102	R-CHIP:100Kohm,5%,1/10W,TP:1608			AC33	2203-000257	C-CER,CHIP:10nF,10%,50V,X7R,TP:1608		
DR37	2007-000102	R-CHIP:100Kohm,5%,1/10W,TP:1608			MC75	2203-000257	C-CER,CHIP:10nF,10%,50V,X7R,TP:1608		
DR28	2007-000109	R-CHIP:1Mohm,5%,1/10W,TP:1608			MC87	2203-000257	C-CER,CHIP:10nF,10%,50V,X7R,TP:1608		
MR34	2007-000113	R-CHIP:33ohm,5%,1/10W,TP:1608			RC20	2203-000257	C-CER,CHIP:10nF,10%,50V,X7R,TP:1608		
MR4	2007-000113	R-CHIP:33ohm,5%,1/10W,TP:1608			RC13	2203-000315	C-CER,CHIP:0.12NF,5%,50V,COG,TP:1608		
MR5	2007-000113	R-CHIP:33ohm,5%,1/10W,TP:1608			RC25	2203-000357	C-CER,CHIP:0.15NF,5%,50V,COG,TP:1608		
MR55	2007-000113	R-CHIP:33ohm,5%,1/10W,TP:1608			MC36	2203-000440	C-CER,CHIP:1nF,10%,50V,X7R,TP:1608		
MR6	2007-000113	R-CHIP:33ohm,5%,1/10W,TP:1608			MC74	2203-000440	C-CER,CHIP:1nF,10%,50V,X7R,TP:1608		
MR7	2007-000113	R-CHIP:33ohm,5%,1/10W,TP:1608			RC6	2203-000440	C-CER,CHIP:1nF,10%,50V,X7R,TP:1608		

Location no	Code no.	Description	Specification	Remarks	Location no	Code no.	Description	Specification	Remarks
PC21	2401-001092	C-AL:330uF,20%,10V,GP,-8x11.5,2.5m			PPL2	AH26-10002W	TRANS TRAP-COIL:BIAS-TRAP105K,BIAS-TRAP		
PC7	2401-001092	C-AL:330uF,20%,10V,GP,-8x11.5,2.5m			PPL1	AH26-10002W	TRANS TRAP-COIL:BIAS-TRAP105K,BIAS-TRAP		
PC8	2401-001092	C-AL:330uF,20%,10V,GP,-8x11.5,2.5m			PPL2	AH27-10001F	COIL-CHOKE:27uH,K,Q30,-,DR(6.57.5)-,		
DC10	2401-001102	C-AL:330uF,20%,16V,GPTP,8x11.5mm,5			PPL3	AH27-10001F	COIL-CHOKE:27uH,K,Q30,-,DR(6.57.5)-,		
DC11	2401-001102	C-AL:330uF,20%,16V,GPTP,8x11.5mm,5			PCW1	AH39-00585A	LEAD CONNECTOR:MAX-VJ730,1007,#22,-,12P		
PC4	2401-001364	C-AL:470uF,20%,16V,GPTP,10x12.5,5			WR2	AH39-50001L	WIRE HARNESS:RING,1007#24,200MM,BLK		
AC29	2401-001545	C-AL:47uF,20%,25V,GPTP,6.3x7mm,2.5			HS2	AH62-00113A	HEAT SINK-TR:MAX-ZJ650.AL.3.0,-,-,-,-,-		
AC31	2401-001545	C-AL:47uF,20%,25V,GPTP,6.3x7mm,2.5				AH81-01460A	A/S PART-POWER:MM-ZJ730,POWER PCB ASSY,Y		
AC35	2401-001545	C-AL:47uF,20%,25V,GPTP,6.3x7mm,2.5				AH81-01460B	A/S PART-MAIN:MM-ZJ730,MAIN PCB ASSY,Y,-,		
AC36	2401-001545	C-AL:47uF,20%,25V,GPTP,6.3x7mm,2.5			FD1	0401-000101	DIODE-SWITCHING:1N4148,75V,150MA,DO-35,T		
AC39	2401-001545	C-AL:47uF,20%,25V,GPTP,6.3x7mm,2.5			KD1	0401-000101	DIODE-SWITCHING:1N4148,75V,150MA,DO-35,T		
AC40	2401-001545	C-AL:47uF,20%,25V,GPTP,6.3x7mm,2.5			KD2	0401-000101	DIODE-SWITCHING:1N4148,75V,150MA,DO-35,T		
MC68	2401-001893	C-AL:100uF,20%,16V,GPTP,6.3x7.5			VD1A	0401-000101	DIODE-SWITCHING:1N4148,75V,150MA,DO-35,T		
PC22	2401-001934	C-AL:220uF,20%,6.3V,GP,-6.3x7,-			VD2A	0401-000101	DIODE-SWITCHING:1N4148,75V,150MA,DO-35,T		
AC5	2401-001952	C-AL:4.7uF,20%,50V,GPTP,5x7mm,5mm			ED1	0401-000101	DIODE-SWITCHING:1N4148,75V,150MA,DO-35,T		
AC6	2401-001952	C-AL:4.7uF,20%,50V,GPTP,5x7mm,5mm			DD1	0401-000101	DIODE-SWITCHING:1N4148,75V,150MA,DO-35,T		
AC7	2401-001952	C-AL:4.7uF,20%,50V,GPTP,5x7mm,5mm			DD1	0401-000101	DIODE-SWITCHING:1N4148,75V,150MA,DO-35,T		
AC8	2401-001952	C-AL:4.7uF,20%,50V,GPTP,5x7mm,5mm			DD1A	0401-000101	DIODE-SWITCHING:1N4148,75V,150MA,DO-35,T		
AC27	2401-001952	C-AL:4.7uF,20%,50V,GPTP,5x7mm,5mm			DD2A	0401-000101	DIODE-SWITCHING:1N4148,75V,150MA,DO-35,T		
AC3	2401-001952	C-AL:4.7uF,20%,50V,GPTP,5x7mm,5mm			DV2A	0401-000101	DIODE-SWITCHING:1N4148,75V,150MA,DO-35,T		
AC30	2401-001952	C-AL:4.7uF,20%,50V,GPTP,5x7mm,5mm			PD5	0402-000127	DIODE-RECTIFIER:1N4002,100V,1A,DO-41,TP		
AC4	2401-001952	C-AL:4.7uF,20%,50V,GPTP,5x7mm,5mm			ED2	0402-000127	DIODE-RECTIFIER:1N4002,100V,1A,DO-41,TP		
PC15	2401-001975	C-AL:47uF,20%,16V,GPTP,5x11mm,5mm			CD1	0402-000127	DIODE-RECTIFIER:1N4002,100V,1A,DO-41,TP		
MC81	2401-001975	C-AL:47uF,20%,16V,GPTP,5x11mm,5mm			PD4	0402-000151	DIODE-RECTIFIER:1N5392,100V,1.5A,DO-15,T		
MC55	2401-001975	C-AL:47uF,20%,16V,GPTP,5x11mm,5mm			PD3	0402-000151	DIODE-RECTIFIER:1N5392,100V,1.5A,DO-15,T		
MC47	2401-001975	C-AL:47uF,20%,16V,GPTP,5x11mm,5mm			PD1	0402-000151	DIODE-RECTIFIER:1N5392,100V,1.5A,DO-15,T		
ADC11	2401-001975	C-AL:47uF,20%,16V,GPTP,5x11mm,5mm			PD1	0402-000151	DIODE-RECTIFIER:1N5392,100V,1.5A,DO-15,T		
SVC4	2401-001975	C-AL:47uF,20%,16V,GPTP,5x11mm,5mm			FZD2	0403-000354	DIODE-ZENER:UZS1B,4.8-5.4V,500MW,DO-35,		
X2	2801-004284	CRYSTAL-SMD:27MHZ,10PPM,28-AAN,20PF,300H			KZD1	0403-000354	DIODE-ZENER:UZS1B,4.8-5.4V,500MW,DO-35,		
RL2	3301-001069	BEAD-SMD:120ohm,1.6x0.8x0.8mm,200mA,TP			FREE	0403-000393	DIODE-ZENER:UZP6.8B,6.4-7.2V,1000MW,DO-4		
RL1	3301-001069	BEAD-SMD:120ohm,1.6x0.8x0.8mm,200mA,TP			FZD1	0403-000396	DIODE-ZENER:UZP6.8B,6.4-7.2V,1000MW,DO-4		
RL3	3301-001069	BEAD-SMD:120ohm,1.6x0.8x0.8mm,200mA,TP			TZD1	0403-000399	DIODE-ZENER:UZP9.1B,8.5-9.6V,1000MW,DO-4		
ML4	3301-001495	BEAD-SMD:120ohm,2012,2500mA,TP,115ohm/1			DQ7	0501-000010	TR-SMALL SIGNAL,KSC1008,NPN,800mW,TO-92,		
PL7	3301-001495	BEAD-SMD:120ohm,2012,2500mA,TP,115ohm/1			DQ8	0501-000010	TR-SMALL SIGNAL,KSC1008,NPN,800mW,TO-92,		
PL8	3301-001495	BEAD-SMD:120ohm,2012,2500mA,TP,115ohm/1			DQ9	0501-000010	TR-SMALL SIGNAL,KSC1008,NPN,800mW,TO-92,		
PL9	3301-001495	BEAD-SMD:120ohm,2012,2500mA,TP,115ohm/1			DQ7	0501-000010	TR-SMALL SIGNAL,KSC1008,NPN,800mW,TO-92,		
PL2	3301-001495	BEAD-SMD:120ohm,2012,2500mA,TP,115ohm/1			DQ6	0501-000010	TR-SMALL SIGNAL,KSC1008,NPN,800mW,TO-92,		
PL15	3301-001495	BEAD-SMD:120ohm,2012,2500mA,TP,115ohm/1			DQ6	0501-000010	TR-SMALL SIGNAL,KSC1008,NPN,800mW,TO-92,		
PL1	3301-001495	BEAD-SMD:120ohm,2012,2500mA,TP,115ohm/1			PQ5	0501-000316	TR-SMALL SIGNAL,KS928A,Y,NPN,1000mW,TO-		
PL10	3301-001495	BEAD-SMD:120ohm,2012,2500mA,TP,115ohm/1			PQ2	0501-000316	TR-SMALL SIGNAL,KS928A,Y,NPN,1000mW,TO-		
ML6	3301-001495	BEAD-SMD:120ohm,2012,2500mA,TP,115ohm/1			DQ4	0501-000369	TR-SMALL SIGNAL,KSC2331,Y,NPN,1000mW,TO-		
ML3	3301-001495	BEAD-SMD:120ohm,2012,2500mA,TP,115ohm/1			DQ4	0501-000369	TR-SMALL SIGNAL,KSC2331,Y,NPN,1000mW,TO-		
AL1	3301-001495	BEAD-SMD:120ohm,2012,2500mA,TP,115ohm/1			PQ4	0501-000398	TR-SMALL SIGNAL,KSC945,NPN,250mW,TO-92,T		
PL3	3301-001495	BEAD-SMD:120ohm,2012,2500mA,TP,115ohm/1			PQ2	0501-000398	TR-SMALL SIGNAL,KSC945,NPN,250mW,TO-92,T		
PL4	3301-001495	BEAD-SMD:120ohm,2012,2500mA,TP,115ohm/1			PQ1	0501-000398	TR-SMALL SIGNAL,KSC945,NPN,250mW,TO-92,T		
PL5	3301-001495	BEAD-SMD:120ohm,2012,2500mA,TP,115ohm/1			FQ1	0501-000398	TR-SMALL SIGNAL,KSC945,NPN,250mW,TO-92,T		
PL6	3301-001495	BEAD-SMD:120ohm,2012,2500mA,TP,115ohm/1			DQ2	0501-000398	TR-SMALL SIGNAL,KSC945,NPN,250mW,TO-92,T		
ML5	3301-001495	BEAD-SMD:120ohm,2012,2500mA,TP,115ohm/1			KQ2	0501-000407	TR-SMALL SIGNAL,KSD471A-Y,NPN,800mW,TO-9		
MIC8	AH11-00151A	MASK ROM:HCS201,-,-,-,SOIC,-,-,-,125,			FREE	0501-000407	TR-SMALL SIGNAL,KSD471A-Y,NPN,800mW,TO-9		
	AH41-00725A	PCB:MAX-KJ730,EPOXY:2-LAYER,0.16T			FREE	0501-000407	TR-SMALL SIGNAL,KSD471A-Y,NPN,800mW,TO-9		
	AH97-00900B	ASSY-DECK CDP,-,MXDV45,ASSY DECK CDP			PQ3	0501-000422	TR-SMALL SIGNAL,KTA1273,PNP,-30V,-30V,-2		
	3405-000101	SWITCH-MICRO:1.6V,1A,70g,SPST			DQ3	0501-000422	TR-SMALL SIGNAL,KTA1273,PNP,-30V,-30V,-2		
	3711-000826	CONNECTOR-HEADER:BOX,2P,1R,2mm,ANGLE,SN			DQ3	0501-000422	TR-SMALL SIGNAL,KTA1273,PNP,-30V,-30V,-2		
	AH31-10021A	MOTOR-DC:RF-500TB,9VDC/130mA,			KQ3	0504-000118	TR-DIGITAL,KSR1003,NPN,300MW,22K/22K,TO-		
	AH31-12001A	MOTOR-LOADING:FF:Q30PN-09210			KQ4	0504-000118	TR-DIGITAL,KSR1003,NPN,300MW,22K/22K,TO-		
	AH59-00130A	DECK,-,CMS-D100,-,-,-,-,CMS-S21MG			FREE	0504-000145	TR-DIGITAL,KSR2003,PNP,300MW,22K/22K,TO-		
	AH30-00016A	PICK UP:SOH-D21,-,-,-,-,CMS-21MG6			DQ5	0504-000145	TR-DIGITAL,KSR2003,PNP,300MW,22K/22K,TO-		
	AH92-02016B	ASSY PCB-MAIN;MAX-KJ730,-			KR28	2001-000008	R-CARBON:15KOHM,5%,1/8W,AA,TP,1.8X3.2MM		
PIC1	0904-001621	IC-I/O CONTROLLER,PT3300,16BIT,SOP,28P3			KR24	2001-000008	R-CARBON:15KOHM,5%,1/8W,AA,TP,1.8X3.2MM		
WIC1	1201-000191	IC-OP AMP:4558,DIP,8P,300MIL,DUAL,20V/mV			DVR9	2001-000008	R-CARBON:15KOHM,5%,1/8W,AA,TP,1.8X3.2MM		
KIC1	1201-000191	IC-OP AMP:4558,DIP,8P,300MIL,DUAL,20V/mV			DVR8	2001-000008	R-CARBON:15KOHM,5%,1/8W,AA,TP,1.8X3.2MM		
FK1	1201-000191	IC-OP AMP:4558,DIP,8P,300MIL,DUAL,20V/mV			FR11	2001-000027	R-CARBON:15KOHM,5%,1/8W,AA,TP,2.4X6.4MM		
FIC2	1201-000191	IC-OP AMP:4558,DIP,8P,300MIL,DUAL,20V/mV			KR22	2001-000118	R-CARBON(S):180OHM,5%,1/2W,AA,TP,2.4X6.4		
DIC1	1201-001899	IC-PREAMP:HA12237FQFP,40P,7X7MM,-,PLA			KR4	2001-000221	R-CARBON:1.2KOHM,5%,1/8W,AA,TP,1.8X3.2M		
PIC2	1203-000242	IC-POSI.FIXED REG.,7812,TO-220,3P,-,PLAS			KR5	2001-000221	R-CARBON:1.2KOHM,5%,1/8W,AA,TP,1.8X3.2M		
PIC4	1203-000276	IC-POSI.FIXED REG.,7805,TO-220,3P,-,PLAS			DR6	2001-000258	R-CARBON:1.8KOHM,5%,1/8W,AA,TP,1.8X3.2M		
PIC3	1203-000299	IC-POSI.FIXED REG.,7809,TO-220,3P,-,PLAS			DR13	2001-000258	R-CARBON:1.8KOHM,5%,1/8W,AA,TP,1.8X3.2M		
KIC2	1204-001730	IC-ECHO:M6585F,DIP,16P,300MIL,PLASTIC			FR25	2001-000273	R-CARBON:100KOHM,5%,1/8W,AA,TP,1.8X3.2M		
FIC1	1204-002219	IC-SOUND PROCESSOR:BD3872FS,SOP,32P,13.6			FR24	2001-000273	R-CARBON:100KOHM,5%,1/8W,AA,TP,1.8X3.2M		
PPC2	1204-002128	C-CERAMIC,DISC:4.7NF,20%,400V,Y5U,BK,15X			TR2	2001-000281	R-CARBON:100OHM,5%,1/8W,AA,TP,1.8X3.2MM		
PPC1	2201-002128	C-CERAMIC,DISC:4.7NF,20%,400V,Y5U,BK,15X			TR1	2001-000281	R-CARBON:100OHM,5%,1/8W,AA,TP,1.8X3.2MM		
PC7	2401-001067	C-AL:330uF,20%,42V,GP,-,18x35.5,7.			DR4	2001-000281	R-CARBON:100OHM,5%,1/8W,AA,TP,1.8X3.2MM		
RRL1	3501-001008	RELAY-POWER:12VDC,530MW,10000MA,1FORMC,1			DR4	2001-000281	R-CARBON:100OHM,5%,1/8W,AA,TP,1.8X3.2MM		
PPF1	3601-000216	FUSE-CARTRIDGE:250V,2.5A,TIME-LAG,GLASS,			TR3	2001-000281	R-CARBON:100OHM,5%,1/8W,AA,TP,1.8X3.2MM		
PPF7	3601-000248	FUSE-CARTRIDGE:250V,2A,TIME-LAG,GLASS,5x			TR4	2001-000281	R-CARBON:100OHM,5%,1/8W,AA,TP,1.8X3.2MM		
PPF2	3601-000263	FUSE-CARTRIDGE:250V,3.15A,TIME-LAG,GLASS			TR5	2001-000281	R-CARBON:100OHM,5%,1/8W,AA,TP,1.8X3.2MM		
TCW1	3708-000412	CONNECTOR-FPC/FFC/PIC:12P,1.25MM,ANGLE,-			TR6	2001-000281	R-CARBON:100OHM,5%,1/8W,AA,TP,1.8X3.2MM		
MCW1	3708-001195	CONNECTOR-FPC/FFC/PIC:27P,1.25MM,STRAIGH			DR1	2001-000281	R-CARBON:100OHM,5%,1/8W,AA,TP,1.8X3.2MM		
PPCW2	3711-000190	CONNECTOR-HEADER:1WALL,2P,1R,7.92MM,STRA			DR17	2001-000281	R-CARBON:100OHM,5%,1/8W,AA,TP,1.8X3.2MM		
CON2	3711-000827	CONNECTOR-HEADER:BOX,2P,1R,2mm,STRAIGHT,			DR17	2001-000281	R-CARBON:100OHM,5%,1/8W,AA,TP,1.8X3.2MM		
DCW1	3711-001054	CONNECTOR-HEADER:BOX,6P,1R,2.5mm,STRAIGH			DR3	2001-000281	R-CARBON:100OHM,5%,1/8W,AA,TP,1.8X3.2MM		
MCW2	3711-002809	CONNECTOR-HEADER:BOX,8P,1R,2mm,STRAIGHT,			DR2	2001-000281	R-CARBON:100OHM,5%,1/8W,AA,TP,1.8X3.2MM		
CW1	3711-002809	CONNECTOR-HEADER:BOX,8P,1R,2mm,STRAIGHT,			KR20	2001-000290	R-CARBON:10KOHM,5%,1/8W,AA,TP,1.8X3.2MM		
DCW3	3711-003107	CONNECTOR-HEADER:BOX,3P,1R,2.5mm,STRAIGH			KR23	2001-000290	R-CARBON:10KOHM,5%,1/8W,AA,TP,1.8X3.2MM		
DCW2	3711-003409	CONNECTOR-HEADER:BOX,3P,1R,2mm,STRAIGHT,			KR26	2001-000290	R-CARBON:10KOHM,5%,1/8W,AA,TP,1.8X3.2MM		
AW1	3711-004110	CONNECTOR-HEADER:3WALL,12P,1R,2MM,STRAIG			KR30	2001-000290	R-CARBON:10KOHM,5%,1/8W,AA,TP,1.8X3.2MM		
AW2	3711-004110	CONNECTOR-HEADER:3WALL,12P,1R,2MM,STRAIG							

Location no	Code no.	Description	Specification	Remarks	Location no	Code no.	Description	Specification	Remarks
DSR2	2001-000290	R-CARBON:10KOHM,5%,1/8WAA,TP1.8X3.2MM			DR36	2001-000890	R-CARBON:6.8KOHM,5%,1/8WAA,TP1.8X3.2M		
ER1	2001-000290	R-CARBON:10KOHM,5%,1/8WAA,TP1.8X3.2MM			DR36	2001-000890	R-CARBON:6.8KOHM,5%,1/8WAA,TP1.8X3.2M		
ER2	2001-000290	R-CARBON:10KOHM,5%,1/8WAA,TP1.8X3.2MM			DR37	2001-000890	R-CARBON:6.8KOHM,5%,1/8WAA,TP1.8X3.2M		
DR9	2001-000302	R-CARBON:100OHM,5%,1/8WAA,TP1.8X3.2MM			DR37	2001-000890	R-CARBON:6.8KOHM,5%,1/8WAA,TP1.8X3.2M		
DR9	2001-000302	R-CARBON:100OHM,5%,1/8WAA,TP1.8X3.2MM			DR34	2001-000890	R-CARBON:6.8KOHM,5%,1/8WAA,TP1.8X3.2M		
DR11	2001-000302	R-CARBON:100OHM,5%,1/8WAA,TP1.8X3.2MM			DR34	2001-000890	R-CARBON:6.8KOHM,5%,1/8WAA,TP1.8X3.2M		
KR18	2001-000319	R-CARBON:120KOHM,5%,1/8WAA,TP1.8X3.2M			DR35	2001-000890	R-CARBON:6.8KOHM,5%,1/8WAA,TP1.8X3.2M		
KR25	2001-000319	R-CARBON:120KOHM,5%,1/8WAA,TP1.8X3.2M			DR35	2001-000890	R-CARBON:6.8KOHM,5%,1/8WAA,TP1.8X3.2M		
TR9	2001-000331	R-CARBON:12KOHM,5%,1/8WAA,TP1.8X3.2MM			DR32	2001-000924	R-CARBON:680OHM,5%,1/8WAA,TP1.8X3.2MM		
TR12	2001-000331	R-CARBON:12KOHM,5%,1/8WAA,TP1.8X3.2MM			DR32	2001-000924	R-CARBON:680OHM,5%,1/8WAA,TP1.8X3.2MM		
MJ64	2001-000429	R-CARBON:1KOHM,5%,1/8WAA,TP1.8X3.2MM			DR33	2001-000924	R-CARBON:680OHM,5%,1/8WAA,TP1.8X3.2MM		
KR2A	2001-000429	R-CARBON:1KOHM,5%,1/8WAA,TP1.8X3.2MM			DR33	2001-000924	R-CARBON:680OHM,5%,1/8WAA,TP1.8X3.2MM		
DVR2	2001-000429	R-CARBON:1KOHM,5%,1/8WAA,TP1.8X3.2MM			DR30	2001-000924	R-CARBON:680OHM,5%,1/8WAA,TP1.8X3.2MM		
DVR13	2001-000429	R-CARBON:1KOHM,5%,1/8WAA,TP1.8X3.2MM			DR30	2001-000924	R-CARBON:680OHM,5%,1/8WAA,TP1.8X3.2MM		
DR10	2001-000435	R-CARBON:1MOHM,5%,1/8WAA,TP1.8X3.2MM			DR31	2001-000924	R-CARBON:680OHM,5%,1/8WAA,TP1.8X3.2MM		
DR10	2001-000435	R-CARBON:1MOHM,5%,1/8WAA,TP1.8X3.2MM			DR31	2001-000924	R-CARBON:680OHM,5%,1/8WAA,TP1.8X3.2MM		
PR7	2001-000449	R-CARBON:2.2KOHM,5%,1/8WAA,TP1.8X3.2M			KR19	2001-000977	R-CARBON:8.2KOHM,5%,1/8WAA,TP1.8X3.2M		
PR6	2001-000449	R-CARBON:2.2KOHM,5%,1/8WAA,TP1.8X3.2M			DR8	2001-000977	R-CARBON:8.2KOHM,5%,1/8WAA,TP1.8X3.2M		
PR3	2001-000449	R-CARBON:2.2KOHM,5%,1/8WAA,TP1.8X3.2M			DR8	2001-000977	R-CARBON:8.2KOHM,5%,1/8WAA,TP1.8X3.2M		
PR2	2001-000449	R-CARBON:2.2KOHM,5%,1/8WAA,TP1.8X3.2M			DR26	2001-000977	R-CARBON:8.2KOHM,5%,1/8WAA,TP1.8X3.2M		
AR2	2001-000449	R-CARBON:2.2KOHM,5%,1/8WAA,TP1.8X3.2M			DR26	2001-000977	R-CARBON:8.2KOHM,5%,1/8WAA,TP1.8X3.2M		
AR1	2001-000449	R-CARBON:2.2KOHM,5%,1/8WAA,TP1.8X3.2M			DR18	2001-001077	R-CARBON(S);150OHM,5%,1/2WAA,TP2.4X6.4		
DVR3	2001-000515	R-CARBON:220OHM,5%,1/8WAA,TP1.8X3.2MM			DR18	2001-001077	R-CARBON(S);150OHM,5%,1/2WAA,TP2.4X6.4		
DVR14	2001-000515	R-CARBON:220OHM,5%,1/8WAA,TP1.8X3.2MM			PR5	2003-000468	R-METAL OXIDE(S);10ohm,5%,1WAA,TP3.3x9		
PR7A	2001-000522	R-CARBON:22KOHM,5%,1/8WAA,TP1.8X3.2MM			PR4	2003-000587	R-METAL OXIDE(S);22ohm,5%,1WAA,TP3.3x9		
KR29	2001-000522	R-CARBON:22KOHM,5%,1/8WAA,TP1.8X3.2MM			DR23	2008-000140	R-FUSIBLE;2.2ohm,5%,1/2WAA,TP3.5x9.4mm		
KR21	2001-000522	R-CARBON:22KOHM,5%,1/8WAA,TP1.8X3.2MM			DR23	2008-000140	R-FUSIBLE;2.2ohm,5%,1/2WAA,TP3.5x9.4mm		
DR5	2001-000522	R-CARBON:22KOHM,5%,1/8WAA,TP1.8X3.2MM			CR2	2001-000218	C-CERAMIC.DISC;0.12NF5%,50V,SL,TP5X4MM		
DR7	2001-000563	R-CARBON:27KOHM,5%,1/8WAA,TP1.8X3.2MM			CR1	2001-000218	C-CERAMIC.DISC;0.12NF5%,50V,SL,TP5X4MM		
DR14	2001-000563	R-CARBON:27KOHM,5%,1/8WAA,TP1.8X3.2MM			DC23	2001-000300	C-CERAMIC.DISC;1NF20%,50V,Y5T,TP5X3MM		
FR4	2001-000591	R-CARBON:3.3KOHM,5%,1/8WAA,TP1.8X3.2M			DC29	2001-000300	C-CERAMIC.DISC;1NF20%,50V,Y5T,TP5X3MM		
FR5	2001-000591	R-CARBON:3.3KOHM,5%,1/8WAA,TP1.8X3.2M			KC3	2001-000300	C-CERAMIC.DISC;1NF20%,50V,Y5T,TP5X3MM		
FR7	2001-000591	R-CARBON:3.3KOHM,5%,1/8WAA,TP1.8X3.2M			KC4	2001-000300	C-CERAMIC.DISC;1NF20%,50V,Y5T,TP5X3MM		
KR12	2001-000591	R-CARBON:3.3KOHM,5%,1/8WAA,TP1.8X3.2M			DC1	2001-000300	C-CERAMIC.DISC;1NF20%,50V,Y5T,TP5X3MM		
KR15	2001-000591	R-CARBON:3.3KOHM,5%,1/8WAA,TP1.8X3.2M			DC18	2001-000300	C-CERAMIC.DISC;1NF20%,50V,Y5T,TP5X3MM		
KR7	2001-000591	R-CARBON:3.3KOHM,5%,1/8WAA,TP1.8X3.2M			DC19	2001-000300	C-CERAMIC.DISC;1NF20%,50V,Y5T,TP5X3MM		
KR8	2001-000591	R-CARBON:3.3KOHM,5%,1/8WAA,TP1.8X3.2M			DC22	2001-000300	C-CERAMIC.DISC;1NF20%,50V,Y5T,TP5X3MM		
FR2	2001-000591	R-CARBON:3.3KOHM,5%,1/8WAA,TP1.8X3.2M			FC3	2001-000368	C-CERAMIC.DISC;0.22NF,10%,50V,SL,TP6.5X		
DR20	2001-000591	R-CARBON:3.3KOHM,5%,1/8WAA,TP1.8X3.2M			DC33	2001-000368	C-CERAMIC.DISC;0.22NF,10%,50V,SL,TP6.5X		
DR20	2001-000591	R-CARBON:3.3KOHM,5%,1/8WAA,TP1.8X3.2M			DC33	2001-000368	C-CERAMIC.DISC;0.22NF,10%,50V,SL,TP6.5X		
DVR01	2001-000591	R-CARBON:3.3KOHM,5%,1/8WAA,TP1.8X3.2M			FC6	2001-000368	C-CERAMIC.DISC;0.22NF,10%,50V,SL,TP6.5X		
DR10	2001-000591	R-CARBON:3.3KOHM,5%,1/8WAA,TP1.8X3.2M			KC7	2001-000368	C-CERAMIC.DISC;0.22NF,10%,50V,SL,TP6.5X		
ER3	2001-000591	R-CARBON:3.3KOHM,5%,1/8WAA,TP1.8X3.2M			KC8	2001-000368	C-CERAMIC.DISC;0.22NF,10%,50V,SL,TP6.5X		
DVR7	2001-000591	R-CARBON:3.3KOHM,5%,1/8WAA,TP1.8X3.2M			AC1	2001-000368	C-CERAMIC.DISC;0.22NF,10%,50V,SL,TP6.5X		
DVR6	2001-000591	R-CARBON:3.3KOHM,5%,1/8WAA,TP1.8X3.2M			AC2	2001-000368	C-CERAMIC.DISC;0.22NF,10%,50V,SL,TP6.5X		
FREE	2001-000613	R-CARBON:3.9KOHM,5%,1/8WAA,TP1.8X3.2M			AC3	2001-000368	C-CERAMIC.DISC;0.22NF,10%,50V,SL,TP6.5X		
DR28A	2001-000613	R-CARBON:3.9KOHM,5%,1/8WAA,TP1.8X3.2M			AC4	2001-000368	C-CERAMIC.DISC;0.22NF,10%,50V,SL,TP6.5X		
DR28A	2001-000613	R-CARBON:3.9KOHM,5%,1/8WAA,TP1.8X3.2M			DC17	2001-000368	C-CERAMIC.DISC;0.22NF,10%,50V,SL,TP6.5X		
DR21	2001-000613	R-CARBON:3.9KOHM,5%,1/8WAA,TP1.8X3.2M			DC17	2001-000368	C-CERAMIC.DISC;0.22NF,10%,50V,SL,TP6.5X		
DR21	2001-000613	R-CARBON:3.9KOHM,5%,1/8WAA,TP1.8X3.2M			DC12B	2001-000928	C-CERAMIC.DISC;2.7NF,20%,16V,Y5R,TP3.5X		
FR13	2001-000645	R-CARBON:330KOHM,5%,1/8WAA,TP1.8X3.2M			DC12A	2001-000928	C-CERAMIC.DISC;2.7NF,20%,16V,Y5R,TP3.5X		
ART	2001-000689	R-CARBON:390KOHM,5%,1/8WAA,TP1.8X3.2M			KC18	2002-000780	C-CERAMIC.MLC-AXIAL;100pF,10%,50V,Y5P,TP		
AR8	2001-000689	R-CARBON:390KOHM,5%,1/8WAA,TP1.8X3.2M			TC4	2002-000781	C-CERAMIC.MLC-AXIAL;100pF,10%,50V,Y5P,TP		
FR12	2001-000702	R-CARBON:39KOHM,5%,1/8WAA,TP1.8X3.2MM			TC3	2002-000781	C-CERAMIC.MLC-AXIAL;100pF,10%,50V,Y5P,TP		
KR27	2001-000734	R-CARBON:4.7KOHM,5%,1/8WAA,TP1.8X3.2M			MJ71A	2002-000781	C-CERAMIC.MLC-AXIAL;100pF,10%,50V,Y5P,TP		
PR1	2001-000734	R-CARBON:4.7KOHM,5%,1/8WAA,TP1.8X3.2M			TC5	2002-000781	C-CERAMIC.MLC-AXIAL;100pF,10%,50V,Y5P,TP		
PR1A	2001-000734	R-CARBON:4.7KOHM,5%,1/8WAA,TP1.8X3.2M			TC6	2002-000781	C-CERAMIC.MLC-AXIAL;100pF,10%,50V,Y5P,TP		
PR8	2001-000734	R-CARBON:4.7KOHM,5%,1/8WAA,TP1.8X3.2M			TC7	2002-000781	C-CERAMIC.MLC-AXIAL;100pF,10%,50V,Y5P,TP		
TR10	2001-000734	R-CARBON:4.7KOHM,5%,1/8WAA,TP1.8X3.2M			TC9	2002-000781	C-CERAMIC.MLC-AXIAL;100pF,10%,50V,Y5P,TP		
TR11	2001-000734	R-CARBON:4.7KOHM,5%,1/8WAA,TP1.8X3.2M			AC001	2002-000781	C-CERAMIC.MLC-AXIAL;100pF,10%,50V,Y5P,TP		
FR18	2001-000734	R-CARBON:4.7KOHM,5%,1/8WAA,TP1.8X3.2M			CJW2A	2002-000781	C-CERAMIC.MLC-AXIAL;100pF,10%,50V,Y5P,TP		
DR15	2001-000734	R-CARBON:4.7KOHM,5%,1/8WAA,TP1.8X3.2M			CR1	2002-000781	C-CERAMIC.MLC-AXIAL;100pF,10%,50V,Y5P,TP		
DR16	2001-000734	R-CARBON:4.7KOHM,5%,1/8WAA,TP1.8X3.2M			CR2	2002-000781	C-CERAMIC.MLC-AXIAL;100pF,10%,50V,Y5P,TP		
DR22	2001-000734	R-CARBON:4.7KOHM,5%,1/8WAA,TP1.8X3.2M			FC1A	2002-000781	C-CERAMIC.MLC-AXIAL;100pF,10%,50V,Y5P,TP		
DR25	2001-000734	R-CARBON:4.7KOHM,5%,1/8WAA,TP1.8X3.2M			FC37	2002-000781	C-CERAMIC.MLC-AXIAL;100pF,10%,50V,Y5P,TP		
DR28	2001-000734	R-CARBON:4.7KOHM,5%,1/8WAA,TP1.8X3.2M			FC38	2002-000781	C-CERAMIC.MLC-AXIAL;100pF,10%,50V,Y5P,TP		
DR29	2001-000734	R-CARBON:4.7KOHM,5%,1/8WAA,TP1.8X3.2M			TC20	2002-000796	C-CERAMIC.MLC-AXIAL;1NF,10%,50V,Y5P,TP3		
KR14	2001-000773	R-CARBON:470KOHM,5%,1/8WAA,TP1.8X3.2M			EMC2	2002-000796	C-CERAMIC.MLC-AXIAL;1NF,10%,50V,Y5P,TP3		
KR13	2001-000773	R-CARBON:470KOHM,5%,1/8WAA,TP1.8X3.2M			EMC2	2002-000796	C-CERAMIC.MLC-AXIAL;1NF,10%,50V,Y5P,TP3		
FR23	2001-000773	R-CARBON:470KOHM,5%,1/8WAA,TP1.8X3.2M			KC20	2002-000797	C-CERAMIC.MLC-AXIAL;10NF,30%,16V,Y5S,TP		
KR3A	2001-000780	R-CARBON:470OHM,5%,1/8WAA,TP1.8X3.2MM			KC17	2002-000797	C-CERAMIC.MLC-AXIAL;10NF,30%,16V,Y5S,TP		
FREE	2001-000786	R-CARBON:47KOHM,5%,1/8WAA,TP1.8X3.2MM			FREE	2002-000806	C-CERAMIC.MLC-AXIAL;220pF,10%,50V,Y5P,TP		
FR6	2001-000786	R-CARBON:47KOHM,5%,1/8WAA,TP1.8X3.2MM			EMC4	2002-000806	C-CERAMIC.MLC-AXIAL;220pF,10%,50V,Y5P,TP		
FR3	2001-000786	R-CARBON:47KOHM,5%,1/8WAA,TP1.8X3.2MM			EMC3	2002-000806	C-CERAMIC.MLC-AXIAL;220pF,10%,50V,Y5P,TP		
DVR5	2001-000786	R-CARBON:47KOHM,5%,1/8WAA,TP1.8X3.2MM			DVC1A	2002-000806	C-CERAMIC.MLC-AXIAL;220pF,10%,50V,Y5P,TP		
FREE	2001-000786	R-CARBON:47KOHM,5%,1/8WAA,TP1.8X3.2MM			KC19	2002-000809	C-CERAMIC.MLC-AXIAL;3.3NF,20%,16V,Y5R,-		
FREE	2001-000786	R-CARBON:47KOHM,5%,1/8WAA,TP1.8X3.2MM			KC10	2002-000829	C-CERAMIC.MLC-AXIAL;0.82NF,10%,50V,Y5P,TP		
VR15	2001-000786	R-CARBON:47KOHM,5%,1/8WAA,TP1.8X3.2MM			KC16	2002-000854	C-CERAMIC.MLC-AXIAL;47nF,30%,50V,Y5R,TP		
VR4	2001-000786	R-CARBON:47KOHM,5%,1/8WAA,TP1.8X3.2MM			KC15	2002-000854	C-CERAMIC.MLC-AXIAL;47nF,30%,50V,Y5R,TP		
AR3	2001-000786	R-CARBON:47KOHM,5%,1/8WAA,TP1.8X3.2MM			DC7	2001-000375	C-FILM,LEAD-PEF;100nF,5%,50V,TP11x12.5x		
AR4	2001-000786	R-CARBON:47KOHM,5%,1/8WAA,TP1.8X3.2MM			DC7	2001-000375	C-FILM,LEAD-PEF;100nF,5%,50V,TP11x12.5x		
DR12	2001-000786	R-CARBON:47KOHM,5%,1/8WAA,TP1.8X3.2MM			DC26	2001-000375	C-FILM,LEAD-PEF;100nF,5%,50V,TP11x12.5x		
DR19	2001-000786	R-CARBON:47KOHM,5%,1/8WAA,TP1.8X3.2MM			DC26	2001-000375	C-FILM,LEAD-PEF;100nF,5%,50V,TP11x12.5x		
DVR11	2001-000786	R-CARBON:47KOHM,5%,1/8WAA,TP1.8X3.2MM			FC4L	2001-000375	C-FILM,LEAD-PEF;100nF,5%,50V,TP11x12.5x		
DR27	2001-000786	R-CARBON:47KOHM,5%,1/8WAA,TP1.8X3.2MM			FC4R	2001-000375	C-FILM,LEAD-PEF;100nF,5%,50V,TP11x12.5x		
DR27	2001-000786	R-CARBON:47KOHM,5%,1/8WAA,TP1.8X3.2MM			KC2	2001-000375	C-FILM,LEAD-PEF;100nF,5%,50V,TP11x12.5x		
DR19	2001-000786	R-CARBON:47KOHM,5%,1/8WAA,TP1.8X3.2MM			KC5	2001-000375	C-FILM,LEAD-PEF;100nF,5%,50V,TP11x12.5x		
FR19	2001-000802	R-CARBON:5.6Kohm,5%,1/8WAA,TP1.8x3.2m			AC5	2001-000375	C-FILM,LEAD-PEF;100nF,5%,50V,TP11x12.5x		
AR6	2001-000802	R-CARBON:5.6Kohm,5%,1/8WAA,TP1.8x3.2m			AC6	2001-000375	C-FILM,LEAD-PEF;100nF,5%,50V,TP11x12.5x		
AR5	2001-000802	R-CARBON:5.6Kohm,5%,1/8WAA,TP1.8x3.2m			AC7	2001-000375	C-FILM,LEAD-PEF;100nF,5%,50V,TP11x12.5x		
FR26	2001-000857	R-CARBON:560OHM,5%,1/8WAA,TP1.8X3.2MM			AC8	2001-000375	C-FILM,LEAD-PEF;100nF,5%,50V,TP11x12.5x		
FR21	2001-000864	R-CARBON:56KOHM,5%,1/8WAA,TP1.8X3.2MM			DC25	2001-000375	C-FILM,LEAD-PEF;100nF,5%,50V,TP11x12.5x		
FR20	2001-000864	R-CARBON:56KOH							

Location no	Code no.	Description	Specification	Remarks	Location no	Code no.	Description	Specification	Remarks
DC10	2301-000375	C-FILM,LEAD-PEF;100nF5%,50V,TP11x12.5x			ULED11	0601-001490	LED;INVERTER,BLUE,3MM,465-477NM		
DC10	2301-000375	C-FILM,LEAD-PEF;100nF5%,50V,TP11x12.5x			UIC2	0609-001189	MODULE REMOCON;HORIZONTAL,16.4MM,TR		
DC24	2301-000379	C-FILM,LEAD-PEF;10nF,10%,50V,TP6x12x3.5			UIC1	0903-001273	IC-MICROCONTROLLER;LC87F67C8A,8BIT,QFP,1		
KC11	2301-000379	C-FILM,LEAD-PEF;10nF,10%,50V,TP6x12x3.5			UIC3	1201-001572	IC-PREAMP;2011,SIP7P,17ML,SINGLE,47_PL		
KC12	2301-000379	C-FILM,LEAD-PEF;10nF,10%,50V,TP6x12x3.5			IC2	1204-002110	IC-SOUND PROCESSOR;NJM2072D,DIP8P,PLA		
DC11	2301-000379	C-FILM,LEAD-PEF;10nF,10%,50V,TP6x12x3.5			UVR6	2101-001052	VR-ROTARY;10KOHM,10%,0.05V,TOP		
AC13	2301-000379	C-FILM,LEAD-PEF;10nF,10%,50V,TP6x12x3.5			X-TAL1	2801-001394	CRYSTAL-UNIT;32.768KHz,20ppm,28-AA,12.5		
AC11	2301-000379	C-FILM,LEAD-PEF;10nF,10%,50V,TP6x12x3.5			UX2	2802-001174	RESONATOR-CERAMIC;10MHZ,0.5%,BK,8X3.5X3MM		
KC4A	2301-000387	C-FILM,LEAD-PEF;150nF,10%,50V,TP12.5x15			UVR1	3406-001047	SWITCH-ROTARY;5V DC,0.5mA,click,12mm		
KC1A	2301-000387	C-FILM,LEAD-PEF;150nF,10%,50V,TP12.5x15			UVR5	3406-001050	SWITCH-ROTARY;5V DC,0.5mA,click,12mm		
DC16	2301-000404	C-FILM,LEAD-PEF;2.2nF,10%,50V,TP5.5x12x			UVR4	3406-001050	SWITCH-ROTARY;5V DC,0.5mA,click,12mm		
DC15	2301-000404	C-FILM,LEAD-PEF;2.2nF,10%,50V,TP5.5x12x			UVR3	3406-001050	SWITCH-ROTARY;5V DC,0.5mA,click,12mm		
DC14	2301-000404	C-FILM,LEAD-PEF;2.2nF,10%,50V,TP5.5x12x			UVR2	3406-001050	SWITCH-ROTARY;5V DC,0.5mA,click,12mm		
AC9	2301-000404	C-FILM,LEAD-PEF;2.2nF,10%,50V,TP5.5x12x			UCW3	3708-000178	CONNECTOR-FPC/FPC/PIC;16P,1.25MM,ANGLE,S		
AC10	2301-000404	C-FILM,LEAD-PEF;2.2nF,10%,50V,TP5.5x12x			UCW9	3708-000448	CONNECTOR-FPC/FPC/PIC;6P,1.25MM,STRAIGHT		
DC13	2301-000407	C-FILM,LEAD-PEF;2.2nF,10%,50V,TP5.5x12x			UCW10	3708-001027	CONNECTOR-FPC/FPC/PIC;6P,1.25MM,ANGLE,SN		
DC13	2301-000407	C-FILM,LEAD-PEF;2.2nF,10%,50V,TP5.5x12x			UCW1	3708-001195	CONNECTOR-FPC/FPC/PIC;27P,1.25MM,STRAIGH		
FREE	2301-000412	C-FILM,LEAD-PEF;22nF,10%,50V,TP8x12x4mm			UCW2	3708-001946	CONNECTOR-FPC/FPC/PIC;18P,1.25MM,STRAIGH		
PC4	2301-000449	C-FILM,LEAD-PEF;47nF,10%,50V,TP9.5x12.5			UCW4	3711-001062	CONNECTOR-HEADER;BOX,6P,1R,2mm,STRAIGHT		
PC3	2301-000449	C-FILM,LEAD-PEF;47nF,10%,50V,TP9.5x12.5			UJACK1	3722-001190	JACK-PHONE;9P/2C,6.43PI,AU,BLK,RC6701 E		
KC14	2301-000474	C-FILM,LEAD-PEF;8.2nF,10%,50V,TP6.5x12x			UJACK2	3722-001190	JACK-PHONE;9P/2C,6.43PI,AU,BLK,RC6701 E		
OC2	2401-000240	C-AL;100uF,20%,10V,GP,TP5x11.5			UJACK3	3722-001588	JACK-PHONE;7P,3.6PI,AG,BLK-		
HPC8	2401-000240	C-AL;100uF,20%,10V,GP,TP5x11.5			VFD	AH07-00119A	VF DISPLAY;HNA-12L507T,MAX-ZJ730,89X75,1		
FREE	2401-000240	C-AL;100uF,20%,10V,GP,TP5x11.5			UCW5	AH39-00060A	LEAD CONNECTOR ASSY;-;51015-08,51004-08,		
FREE	2401-000240	C-AL;100uF,20%,10V,GP,TP5x11.5			CON27	AH39-000347B	LEAD CONNECTOR ASSY;-;2P,-;-;5295,51004		
KCAA	2401-000303	C-AL;100uF,20%,25V,GP,TP6.3x11.5			UCW6	AH39-000354	LEAD CONNECTOR ASSY;MM-2100,1007#28,-6P		
FREE	2401-000303	C-AL;100uF,20%,25V,GP,TP6.3x11.5			WR3	AH39-50001L	WIRE HARNESS;RING,1007#24,200MM,BLK		
FREE	2401-000303	C-AL;100uF,20%,25V,GP,TP6.3x11.5			HOLD	AH61-01522A	HOLDER-VFD;MAX-VJ730,ABS -;-;BLK-		
FREE	2401-000303	C-AL;100uF,20%,25V,GP,TP6.3x11.5			UD4	0401-000101	DIODE-SWITCHING;1N4148,75V,150MA,DO-35,T		
DC30	2401-000414	C-AL;10uF,20%,16V,GP,TP4x7.5			UD3	0401-000101	DIODE-SWITCHING;1N4148,75V,150MA,DO-35,T		
AC18	2401-000438	C-AL;10uF,20%,25V,GP,TP5x11.5			UD25	0401-000101	DIODE-SWITCHING;1N4148,75V,150MA,DO-35,T		
KC3A	2401-000480	C-AL;10uF,20%,50V,GP,TP5x11.5			UD24	0401-000101	DIODE-SWITCHING;1N4148,75V,150MA,DO-35,T		
KC2A	2401-000480	C-AL;10uF,20%,50V,GP,TP5x11.5			UD22	0401-000101	DIODE-SWITCHING;1N4148,75V,150MA,DO-35,T		
FC8	2401-000588	C-AL;1uF,20%,50V,GP,TP3x5.2.5			UD9	0401-000101	DIODE-SWITCHING;1N4148,75V,150MA,DO-35,T		
FC9	2401-000588	C-AL;1uF,20%,50V,GP,TP3x5.2.5			UD8	0401-000101	DIODE-SWITCHING;1N4148,75V,150MA,DO-35,T		
FREE	2401-000588	C-AL;1uF,20%,50V,GP,TP3x5.2.5			UD7	0401-000101	DIODE-SWITCHING;1N4148,75V,150MA,DO-35,T		
FREE	2401-000588	C-AL;1uF,20%,50V,GP,TP3x5.2.5			UD6	0401-000101	DIODE-SWITCHING;1N4148,75V,150MA,DO-35,T		
DC20	2401-000588	C-AL;1uF,20%,50V,GP,TP3x5.2.5			UD5	0401-000101	DIODE-SWITCHING;1N4148,75V,150MA,DO-35,T		
DC20	2401-000588	C-AL;1uF,20%,50V,GP,TP3x5.2.5			UD21	0401-000101	DIODE-SWITCHING;1N4148,75V,150MA,DO-35,T		
FC22	2401-000588	C-AL;1uF,20%,50V,GP,TP3x5.2.5			UD13	0401-000101	DIODE-SWITCHING;1N4148,75V,150MA,DO-35,T		
FC23	2401-000588	C-AL;1uF,20%,50V,GP,TP3x5.2.5			UD10	0401-000101	DIODE-SWITCHING;1N4148,75V,150MA,DO-35,T		
DC28	2401-000651	C-AL;2.2uF,20%,50V,GP,TP4x7.5			UD1	0401-000101	DIODE-SWITCHING;1N4148,75V,150MA,DO-35,T		
DC27	2401-000651	C-AL;2.2uF,20%,50V,GP,TP4x7.5			EMCD4	0401-000101	DIODE-SWITCHING;1N4148,75V,150MA,DO-35,T		
AC12	2401-000651	C-AL;2.2uF,20%,50V,GP,TP4x7.5			EMCD3	0401-000101	DIODE-SWITCHING;1N4148,75V,150MA,DO-35,T		
DVC3	2401-000651	C-AL;2.2uF,20%,50V,GP,TP4x7.5			UD20	0401-000101	DIODE-SWITCHING;1N4148,75V,150MA,DO-35,T		
DVC5	2401-000651	C-AL;2.2uF,20%,50V,GP,TP4x7.5			UD2	0401-000101	DIODE-SWITCHING;1N4148,75V,150MA,DO-35,T		
FC18	2401-000651	C-AL;2.2uF,20%,50V,GP,TP4x7.5			UD17	0401-000101	DIODE-SWITCHING;1N4148,75V,150MA,DO-35,T		
FC19	2401-000651	C-AL;2.2uF,20%,50V,GP,TP4x7.5			UD16	0401-000101	DIODE-SWITCHING;1N4148,75V,150MA,DO-35,T		
KC21	2401-000651	C-AL;2.2uF,20%,50V,GP,TP4x7.5			UD14	0401-000101	DIODE-SWITCHING;1N4148,75V,150MA,DO-35,T		
DC34	2401-000651	C-AL;2.2uF,20%,50V,GP,TP4x7.5			UD18	0402-000127	DIODE-RECTIFIER;1N4002,100V,1A,DO-41,TP		
DC6	2401-000651	C-AL;2.2uF,20%,50V,GP,TP4x7.5			UD19	0402-000127	DIODE-RECTIFIER;1N4002,100V,1A,DO-41,TP		
DC8	2401-000651	C-AL;2.2uF,20%,50V,GP,TP4x7.5			UQ10	0501-000303	TR-SMALL SIGNAL;KSA733,PNP,250mW,TO-92,T		
DC9	2401-000651	C-AL;2.2uF,20%,50V,GP,TP4x7.5			UQ4	0501-000316	TR-SMALL SIGNAL;KSA928A-Y,PNP,1000mW,TO-		
DVC2	2401-000651	C-AL;2.2uF,20%,50V,GP,TP4x7.5			UQ3	0501-000316	TR-SMALL SIGNAL;KSA928A-Y,PNP,1000mW,TO-		
FREE	2401-000778	C-AL;220uF,20%,10V,GP,-6.3x11.2.5mm			UQ2	0501-000316	TR-SMALL SIGNAL;KSA928A-Y,PNP,1000mW,TO-		
DC2	2401-000778	C-AL;220uF,20%,10V,GP,-6.3x11.2.5mm			UQ8	0501-000398	TR-SMALL SIGNAL;KSC945,NPN,250mW,TO-92,T		
DC2	2401-000778	C-AL;220uF,20%,10V,GP,-6.3x11.2.5mm			UQ5	0501-000398	TR-SMALL SIGNAL;KSC945,NPN,250mW,TO-92,T		
KC22	2401-000914	C-AL;22uF,20%,16V,GP,TP5x11.5			UQ12	0501-000398	TR-SMALL SIGNAL;KSC945,NPN,250mW,TO-92,T		
FC36	2401-001020	C-AL;3.3uF,20%,50V,GP,TP4x7.5			UQ1	0501-000398	TR-SMALL SIGNAL;KSC945,NPN,250mW,TO-92,T		
FC35	2401-001020	C-AL;3.3uF,20%,50V,GP,TP4x7.5			UQ9	0504-000118	TR-DIGITAL;KSR1003,NPN,300MW,22K/22K,TO-		
FC34	2401-001020	C-AL;3.3uF,20%,50V,GP,TP4x7.5			UQ7	0504-000118	TR-DIGITAL;KSR1003,NPN,300MW,22K/22K,TO-		
FC1	2401-001020	C-AL;3.3uF,20%,50V,GP,TP4x7.5			UQ6	0504-000118	TR-DIGITAL;KSR1003,NPN,300MW,22K/22K,TO-		
DC36	2401-001020	C-AL;3.3uF,20%,50V,GP,TP4x7.5			UQ11	0504-000118	TR-DIGITAL;KSR1003,NPN,300MW,22K/22K,TO-		
AC15	2401-001080	C-AL;330nF,20%,50V,GP,-5x11,2mm			ULED9	0601-001238	LED;ROUND,RED,3.1mm,697nm		
DC4	2401-001102	C-AL;330uF,20%,16V,GP,TP8x11.5mm,5			ULED7	0601-001238	LED;ROUND,RED,3.1mm,697nm		
DC4	2401-001102	C-AL;330uF,20%,16V,GP,TP8x11.5mm,5			ULED6	0601-001238	LED;ROUND,RED,3.1mm,697nm		
OC5	2401-001164	C-AL;33uF,20%,16V,GP,TP5x11mm,5mm			ULED3	0601-001238	LED;ROUND,RED,3.1mm,697nm		
AC14	2401-001164	C-AL;33uF,20%,16V,GP,TP5x11mm,5mm			ULED2	0601-001238	LED;ROUND,RED,3.1mm,697nm		
DC32	2401-001508	C-AL;47uF,20%,16V,GP,TP6.3x5.5			UR2	2001-000005	R-CARBON;390ohm,5%,1/8W,AA,TP,1.8X3.2MM		
DC21	2401-001508	C-AL;47uF,20%,16V,GP,TP6.3x5.5			UR99	2001-000008	R-CARBON;15KOHM,5%,1/8W,AA,TP,1.8X3.2MM		
DC12	2401-001508	C-AL;47uF,20%,16V,GP,TP6.3x5.5			UR6	2001-000008	R-CARBON;15KOHM,5%,1/8W,AA,TP,1.8X3.2MM		
DC32	2401-001511	C-AL;47uF,20%,16V,GP,TP6x7mm,5mm			UR4	2001-000008	R-CARBON;15KOHM,5%,1/8W,AA,TP,1.8X3.2MM		
DC21	2401-001511	C-AL;47uF,20%,16V,GP,TP6x7mm,5mm			UR154	2001-000008	R-CARBON;15KOHM,5%,1/8W,AA,TP,1.8X3.2MM		
DC12	2401-001511	C-AL;47uF,20%,16V,GP,TP6x7mm,5mm			UR153	2001-000008	R-CARBON;15KOHM,5%,1/8W,AA,TP,1.8X3.2MM		
TC1	2401-001893	C-AL;100uF,20%,16V,GP,TP6.3x7.5			UR152	2001-000117	R-CARBON(S);68ohm,5%,1/2W,AA,TP,2.4x3.4mm		
KC23	2401-001893	C-AL;100uF,20%,16V,GP,TP6.3x7.5			UR96	2001-000221	R-CARBON;1.2KOHM,5%,1/8W,AA,TP,1.8X3.2MM		
FC5	2401-001893	C-AL;100uF,20%,16V,GP,TP6.3x7.5			UR93	2001-000221	R-CARBON;1.2KOHM,5%,1/8W,AA,TP,1.8X3.2MM		
FC4	2401-001952	C-AL;4.7uF,20%,50V,GP,TP5x7mm,5mm			UR20	2001-000221	R-CARBON;1.2KOHM,5%,1/8W,AA,TP,1.8X3.2MM		
FC33	2401-001952	C-AL;4.7uF,20%,50V,GP,TP5x7mm,5mm			UR140	2001-000221	R-CARBON;1.2KOHM,5%,1/8W,AA,TP,1.8X3.2MM		
FC25	2401-001952	C-AL;4.7uF,20%,50V,GP,TP5x7mm,5mm			UR94	2001-000241	R-CARBON;1.5KOHM,5%,1/8W,AA,TP,1.8X3.2MM		
FC2	2401-001952	C-AL;4.7uF,20%,50V,GP,TP5x7mm,5mm			UR141	2001-000241	R-CARBON;1.5KOHM,5%,1/8W,AA,TP,1.8X3.2MM		
DC5	2401-001975	C-AL;47uF,20%,16V,GP,TP5x11mm,5mm			UR11	2001-000241	R-CARBON;1.5KOHM,5%,1/8W,AA,TP,1.8X3.2MM		
FREE	2401-002594	C-AL;220uF,20%,16V,GP,TP8x11.5,5			UR100	2001-000241	R-CARBON;1.5KOHM,5%,1/8W,AA,TP,1.8X3.2MM		
DL3	2701-000298	INDUCTOR-AXIAL;470uH,10%,4298			UR43	2001-000258	R-CARBON;1.8KOHM,5%,1/8W,AA,TP,1.8X3.2MM		
	AH41-00659A	PCB;MAX-VJ730ZJ650,####,1 LAYER,-			UR3	2001-000258	R-CARBON;1.8KOHM,5%,1/8W,AA,TP,1.8X3.2MM		
					UR21	2001-000258	R-CARBON;1.8KOHM,5%,1/8W,AA,TP,1.8X3.2MM		
					UR142	2001-000258	R-CARBON;1.8KOHM,5%,1/8W,AA,TP,1.8X3.2MM		

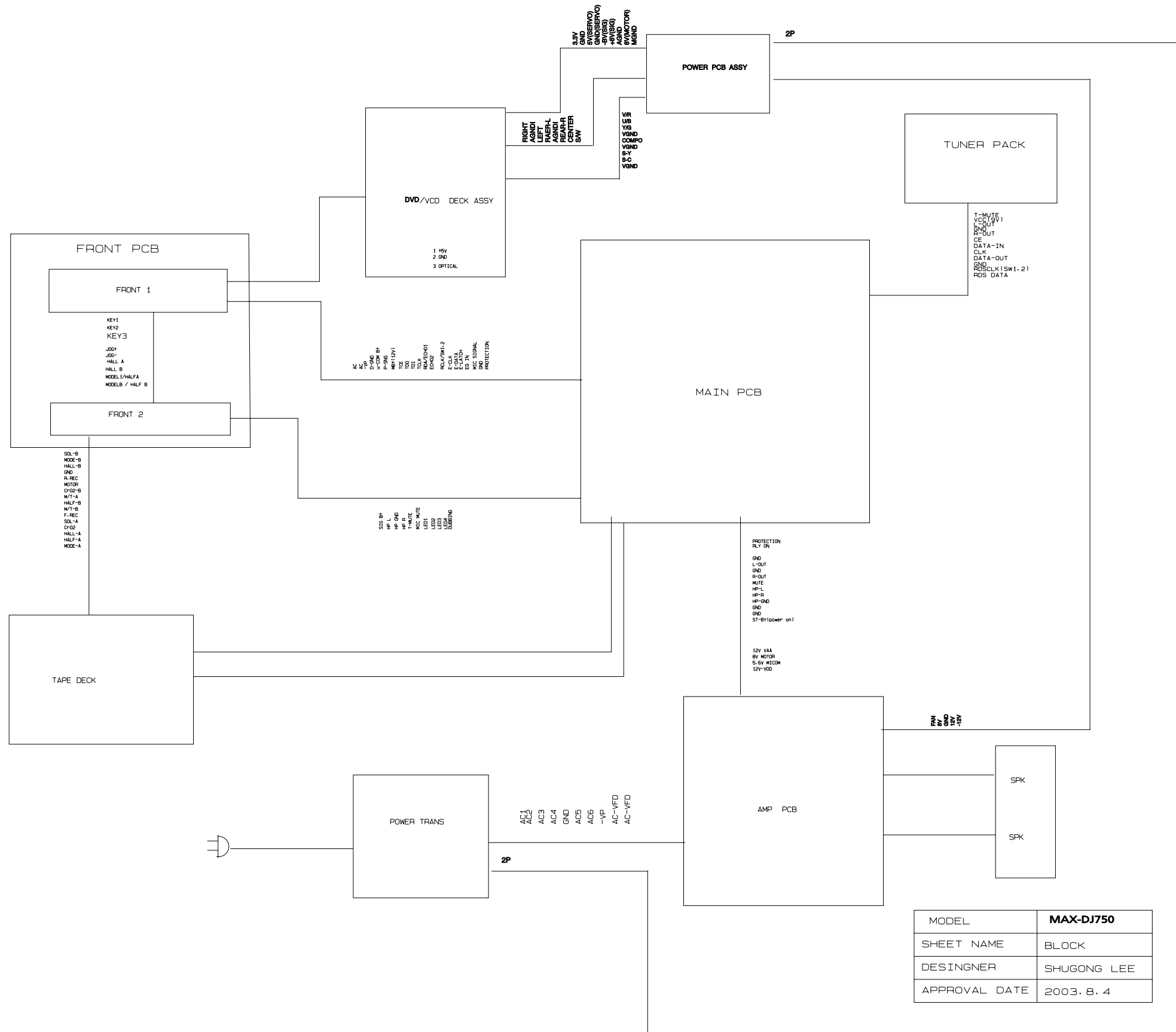
Location no	Code no.	Description	Specification	Remarks	Location no	Code no.	Description	Specification	Remarks
UR62	2001-000290	R-CARBON:10KOHM,5%,1/8WAA,TP1.8X3.2MM			UR129	2001-000786	R-CARBON:47KOHM,5%,1/8WAA,TP1.8X3.2MM		
UR63	2001-000290	R-CARBON:10KOHM,5%,1/8WAA,TP1.8X3.2MM			UR127	2001-000786	R-CARBON:47KOHM,5%,1/8WAA,TP1.8X3.2MM		
UR64	2001-000290	R-CARBON:10KOHM,5%,1/8WAA,TP1.8X3.2MM			UR126	2001-000786	R-CARBON:47KOHM,5%,1/8WAA,TP1.8X3.2MM		
UR59	2001-000290	R-CARBON:10KOHM,5%,1/8WAA,TP1.8X3.2MM			UR119	2001-000786	R-CARBON:47KOHM,5%,1/8WAA,TP1.8X3.2MM		
UR49	2001-000290	R-CARBON:10KOHM,5%,1/8WAA,TP1.8X3.2MM			UR89	2001-000786	R-CARBON:47KOHM,5%,1/8WAA,TP1.8X3.2MM		
UR50	2001-000290	R-CARBON:10KOHM,5%,1/8WAA,TP1.8X3.2MM			UR81	2001-000786	R-CARBON:47KOHM,5%,1/8WAA,TP1.8X3.2MM		
UR54	2001-000290	R-CARBON:10KOHM,5%,1/8WAA,TP1.8X3.2MM			UR77	2001-000786	R-CARBON:47KOHM,5%,1/8WAA,TP1.8X3.2MM		
UR56	2001-000290	R-CARBON:10KOHM,5%,1/8WAA,TP1.8X3.2MM			UR74	2001-000786	R-CARBON:47KOHM,5%,1/8WAA,TP1.8X3.2MM		
UR57	2001-000290	R-CARBON:10KOHM,5%,1/8WAA,TP1.8X3.2MM			UR132	2001-000786	R-CARBON:47KOHM,5%,1/8WAA,TP1.8X3.2MM		
UR65	2001-000290	R-CARBON:10KOHM,5%,1/8WAA,TP1.8X3.2MM			UR118	2001-000786	R-CARBON:47KOHM,5%,1/8WAA,TP1.8X3.2MM		
UR72	2001-000290	R-CARBON:10KOHM,5%,1/8WAA,TP1.8X3.2MM			UR112	2001-000786	R-CARBON:47KOHM,5%,1/8WAA,TP1.8X3.2MM		
UR73	2001-000290	R-CARBON:10KOHM,5%,1/8WAA,TP1.8X3.2MM			UR111	2001-000786	R-CARBON:47KOHM,5%,1/8WAA,TP1.8X3.2MM		
UR8	2001-000290	R-CARBON:10KOHM,5%,1/8WAA,TP1.8X3.2MM			UR110	2001-000786	R-CARBON:47KOHM,5%,1/8WAA,TP1.8X3.2MM		
UR87	2001-000290	R-CARBON:10KOHM,5%,1/8WAA,TP1.8X3.2MM			UR109	2001-000786	R-CARBON:47KOHM,5%,1/8WAA,TP1.8X3.2MM		
UR91	2001-000290	R-CARBON:10KOHM,5%,1/8WAA,TP1.8X3.2MM			UR102	2001-000786	R-CARBON:47KOHM,5%,1/8WAA,TP1.8X3.2MM		
UR71	2001-000290	R-CARBON:10KOHM,5%,1/8WAA,TP1.8X3.2MM			UR117	2001-000786	R-CARBON:47KOHM,5%,1/8WAA,TP1.8X3.2MM		
UR66	2001-000290	R-CARBON:10KOHM,5%,1/8WAA,TP1.8X3.2MM			UR116	2001-000786	R-CARBON:47KOHM,5%,1/8WAA,TP1.8X3.2MM		
UR67	2001-000290	R-CARBON:10KOHM,5%,1/8WAA,TP1.8X3.2MM			UR115	2001-000786	R-CARBON:47KOHM,5%,1/8WAA,TP1.8X3.2MM		
UR68	2001-000290	R-CARBON:10KOHM,5%,1/8WAA,TP1.8X3.2MM			UR114	2001-000786	R-CARBON:47KOHM,5%,1/8WAA,TP1.8X3.2MM		
UR69	2001-000290	R-CARBON:10KOHM,5%,1/8WAA,TP1.8X3.2MM			UR113	2001-000786	R-CARBON:47KOHM,5%,1/8WAA,TP1.8X3.2MM		
UR70	2001-000290	R-CARBON:10KOHM,5%,1/8WAA,TP1.8X3.2MM			UR80	2001-000802	R-CARBON:5.6Kohm,5%,1/8WAA,TP1.8x3.2m		
UR44	2001-000290	R-CARBON:10KOHM,5%,1/8WAA,TP1.8X3.2MM			UR150	2001-000802	R-CARBON:5.6Kohm,5%,1/8WAA,TP1.8x3.2m		
UR155	2001-000290	R-CARBON:10KOHM,5%,1/8WAA,TP1.8X3.2MM			UR107	2001-000802	R-CARBON:5.6Kohm,5%,1/8WAA,TP1.8x3.2m		
UR156	2001-000290	R-CARBON:10KOHM,5%,1/8WAA,TP1.8X3.2MM			UR101	2001-000802	R-CARBON:5.6Kohm,5%,1/8WAA,TP1.8x3.2m		
UR16	2001-000290	R-CARBON:10KOHM,5%,1/8WAA,TP1.8X3.2MM			UR47	2001-000850	R-CARBON:560KOHM,5%,1/8WAA,TP1.8X3.2M		
UR25	2001-000290	R-CARBON:10KOHM,5%,1/8WAA,TP1.8X3.2MM			UR9	2001-000864	R-CARBON:56KOHM,5%,1/8WAA,TP1.8X3.2MM		
UR26	2001-000290	R-CARBON:10KOHM,5%,1/8WAA,TP1.8X3.2MM			UR46	2001-000864	R-CARBON:56KOHM,5%,1/8WAA,TP1.8X3.2MM		
UR144	2001-000290	R-CARBON:10KOHM,5%,1/8WAA,TP1.8X3.2MM			UR151	2001-000864	R-CARBON:56KOHM,5%,1/8WAA,TP1.8X3.2MM		
UR10	2001-000290	R-CARBON:10KOHM,5%,1/8WAA,TP1.8X3.2MM			UR14	2001-001178	R-CARBON(S):680OHM,5%,1/2WAA,TP2.4X6.4		
UR104	2001-000290	R-CARBON:10KOHM,5%,1/8WAA,TP1.8X3.2MM			UR13	2001-001178	R-CARBON(S):680OHM,5%,1/2WAA,TP2.4X6.4		
UR120	2001-000290	R-CARBON:10KOHM,5%,1/8WAA,TP1.8X3.2MM			UR12	2001-001178	R-CARBON(S):680OHM,5%,1/2WAA,TP2.4X6.4		
UR121	2001-000290	R-CARBON:10KOHM,5%,1/8WAA,TP1.8X3.2MM			VR7	2103-000341	VR, SEMI:2Kohm,30%,1/10V, TOP		
UR143	2001-000290	R-CARBON:10KOHM,5%,1/8WAA,TP1.8X3.2MM			UC33	2201-000282	C-CERAMIC,DISC:1NF,+80-20%,50V,Y5V,TP5X		
UR27	2001-000290	R-CARBON:10KOHM,5%,1/8WAA,TP1.8X3.2MM			UC7	2201-000300	C-CERAMIC,DISC:1NF,20%,50V,Y5T,TP5X3MM		
UR37	2001-000290	R-CARBON:10KOHM,5%,1/8WAA,TP1.8X3.2MM			UC6	2201-000300	C-CERAMIC,DISC:1NF,20%,50V,Y5T,TP5X3MM		
UR38	2001-000290	R-CARBON:10KOHM,5%,1/8WAA,TP1.8X3.2MM			UC5	2201-000300	C-CERAMIC,DISC:1NF,20%,50V,Y5T,TP5X3MM		
UR39	2001-000290	R-CARBON:10KOHM,5%,1/8WAA,TP1.8X3.2MM			UC3	2201-000300	C-CERAMIC,DISC:1NF,20%,50V,Y5T,TP5X3MM		
UR41	2001-000290	R-CARBON:10KOHM,5%,1/8WAA,TP1.8X3.2MM			UC10	2201-000300	C-CERAMIC,DISC:1NF,20%,50V,Y5T,TP5X3MM		
UR42	2001-000290	R-CARBON:10KOHM,5%,1/8WAA,TP1.8X3.2MM			UC8	2201-000389	C-CERAMIC,DISC:0.022NF,5%,50V,COG,TP5X3		
UR36	2001-000290	R-CARBON:10KOHM,5%,1/8WAA,TP1.8X3.2MM			UC20	2201-000389	C-CERAMIC,DISC:0.022NF,5%,50V,COG,TP5X3		
UR28	2001-000290	R-CARBON:10KOHM,5%,1/8WAA,TP1.8X3.2MM			UC2	2201-000565	C-CERAMIC,DISC:47nF,+80-20%,-,12.5x4m		
UR31	2001-000290	R-CARBON:10KOHM,5%,1/8WAA,TP1.8X3.2MM			UC14	2201-000565	C-CERAMIC,DISC:47nF,+80-20%,-,12.5x4m		
UR32	2001-000290	R-CARBON:10KOHM,5%,1/8WAA,TP1.8X3.2MM			UC13	2201-000565	C-CERAMIC,DISC:47nF,+80-20%,-,12.5x4m		
UR34	2001-000290	R-CARBON:10KOHM,5%,1/8WAA,TP1.8X3.2MM			UC1	2201-000565	C-CERAMIC,DISC:47nF,+80-20%,-,12.5x4m		
UR35	2001-000290	R-CARBON:10KOHM,5%,1/8WAA,TP1.8X3.2MM			UC31	2202-000243	C-CERAMIC,MLC-AXIAL:33pF,5%,50V,SL,TP3		
UR53	2001-000295	R-CARBON:10KOHM,5%,1/8WAA,TP1.8X3.2MM			UC30	2202-000780	C-CERAMIC,MLC-AXIAL:100nF,+80-20%,50V,Y5P		
UR138	2001-000362	R-CARBON:150OHM,5%,1/8WAA,TP1.8X3.2MM			UC29	2202-000781	C-CERAMIC,MLC-AXIAL:100pF,10%,50V,Y5P,TP		
UR137	2001-000362	R-CARBON:150OHM,5%,1/8WAA,TP1.8X3.2MM			UC31	2202-000806	C-CERAMIC,MLC-AXIAL:220pF,10%,50V,Y5P,TP		
UR136	2001-000362	R-CARBON:150OHM,5%,1/8WAA,TP1.8X3.2MM			UC30	2301-000400	C-FILM,LEAD-PEF:1nF,10%,50V,TP5.5x12x3m		
UR135	2001-000362	R-CARBON:150OHM,5%,1/8WAA,TP1.8X3.2MM			UC31	2401-000419	C-FILM,LEAD-PEF:27nF,10%,50V,TP7.5x10.5		
UR130	2001-000362	R-CARBON:150OHM,5%,1/8WAA,TP1.8X3.2MM			UC16	2401-000240	C-AL:100uF,20%,10V,GPTP5x11.5		
UR95	2001-000411	R-CARBON:18KOHM,5%,1/8WAA,TP1.8X3.2MM			UC32	2401-000414	C-AL:10uF,20%,16V,GPTP4x7.5		
UR145	2001-000411	R-CARBON:18KOHM,5%,1/8WAA,TP1.8X3.2MM			UC21	2401-000480	C-AL:10uF,20%,50V,GPTP5x11.5		
UR106	2001-000411	R-CARBON:18KOHM,5%,1/8WAA,TP1.8X3.2MM			UC19	2401-000480	C-AL:10uF,20%,50V,GPTP5x11.5		
UR79	2001-000429	R-CARBON:1KOHM,5%,1/8WAA,TP1.8X3.2MM			UC18	2401-000480	C-AL:10uF,20%,50V,GPTP5x11.5		
UR76	2001-000429	R-CARBON:1KOHM,5%,1/8WAA,TP1.8X3.2MM			UC15	2401-000598	C-AL:1uF,20%,50V,GPTP4x7.5		
UR52	2001-000429	R-CARBON:1KOHM,5%,1/8WAA,TP1.8X3.2MM			UC26	2401-000598	C-AL:1uF,20%,50V,GPTP4x7.5		
UR146	2001-000429	R-CARBON:1KOHM,5%,1/8WAA,TP1.8X3.2MM			UC28	2401-000651	C-AL:2.2uF,20%,50V,GPTP4x7.5		
UR139	2001-000429	R-CARBON:1KOHM,5%,1/8WAA,TP1.8X3.2MM			UC9	2401-000752	C-AL:220nF,20%,50V,GPBK,3x5,1mm		
UR124	2001-000429	R-CARBON:1KOHM,5%,1/8WAA,TP1.8X3.2MM			UC29	2401-000914	C-AL:22uF,20%,16V,GPTP5x11.5		
UR103	2001-000429	R-CARBON:1KOHM,5%,1/8WAA,TP1.8X3.2MM			UC22	2401-000914	C-AL:22uF,20%,16V,GPTP5x11.5		
UR82	2001-000435	R-CARBON:1MOHM,5%,1/8WAA,TP1.8X3.2MM			UC12	2401-000970	C-AL:22uF,20%,50V,WT,TP5x11.5		
UR58	2001-000435	R-CARBON:1MOHM,5%,1/8WAA,TP1.8X3.2MM			UC4	2401-001020	C-AL:3.3uF,20%,50V,GPTP4x7.5		
UR84	2001-000449	R-CARBON:2.2KOHM,5%,1/8WAA,TP1.8X3.2M			UC11	2401-001355	C-AL:470uF,20%,10V,GPTP8x11.5mm.5		
UR83	2001-000449	R-CARBON:2.2KOHM,5%,1/8WAA,TP1.8X3.2M			UC24	2401-001364	C-AL:470uF,20%,16V,GPTP10x12.5,5		
UR51	2001-000449	R-CARBON:2.2KOHM,5%,1/8WAA,TP1.8X3.2M			UC17	2401-001893	C-AL:100uF,20%,16V,GPTP6.3x7.5		
UR7	2001-000472	R-CARBON:2.7KOHM,5%,1/8WAA,TP1.8X3.2M			UC27	2401-001975	C-AL:47uF,20%,16V,GPTP5x11mm.5mm		
UR22	2001-000472	R-CARBON:2.7KOHM,5%,1/8WAA,TP1.8X3.2M			UC25	2401-001975	C-AL:47uF,20%,16V,GPTP5x11mm.5mm		
UR147	2001-000472	R-CARBON:2.7KOHM,5%,1/8WAA,TP1.8X3.2M			UC23	2401-001994	C-AL:3.3uF,20%,50V,TP5X11MM.5		
UR105	2001-000472	R-CARBON:2.7KOHM,5%,1/8WAA,TP1.8X3.2M			UL5	2701-000111	INDUCTOR-AXIAL:100UH,10%,2534		
UR55	2001-000515	R-CARBON:220OHM,5%,1/8WAA,TP1.8X3.2MM			UL4	2701-000111	INDUCTOR-AXIAL:100UH,10%,2534		
UR33	2001-000515	R-CARBON:220OHM,5%,1/8WAA,TP1.8X3.2MM			UL3	2701-000111	INDUCTOR-AXIAL:100UH,10%,2534		
UR30	2001-000515	R-CARBON:220OHM,5%,1/8WAA,TP1.8X3.2MM			UL2	2701-000111	INDUCTOR-AXIAL:100UH,10%,2534		
UR29	2001-000515	R-CARBON:220OHM,5%,1/8WAA,TP1.8X3.2MM			UL1	2701-000111	INDUCTOR-AXIAL:100UH,10%,2534		
UR235	2001-000515	R-CARBON:220OHM,5%,1/8WAA,TP1.8X3.2MM			USW33	3404-000165	SWITCH-TACT:12V,50mA,160gf,6x6mm,SPST		
UR90	2001-000522	R-CARBON:22KOHM,5%,1/8WAA,TP1.8X3.2MM			USW34	3404-000165	SWITCH-TACT:12V,50mA,160gf,6x6mm,SPST		
UR18	2001-000591	R-CARBON:3.3KOHM,5%,1/8WAA,TP1.8X3.2M			USW35	3404-000165	SWITCH-TACT:12V,50mA,160gf,6x6mm,SPST		
UR45	2001-000613	R-CARBON:3.9KOHM,5%,1/8WAA,TP1.8X3.2M			USW36	3404-000165	SWITCH-TACT:12V,50mA,160gf,6x6mm,SPST		
UR23	2001-000613	R-CARBON:3.9KOHM,5%,1/8WAA,TP1.8X3.2M			USW37	3404-000165	SWITCH-TACT:12V,50mA,160gf,6x6mm,SPST		
UR148	2001-000613	R-CARBON:3.9KOHM,5%,1/8WAA,TP1.8X3.2M			USW29	3404-000165	SWITCH-TACT:12V,50mA,160gf,6x6mm,SPST		
UR133	2001-000613	R-CARBON:3.9KOHM,5%,1/8WAA,TP1.8X3.2M			USW3	3404-000165	SWITCH-TACT:12V,50mA,160gf,6x6mm,SPST		
UR98	2001-000660	R-CARBON:33KOHM,5%,1/8WAA,TP1.8X3.2MM			USW30	3404-000165	SWITCH-TACT:12V,50mA,160gf,6x6mm,SPST		
UR97	2001-000660	R-CARBON:33KOHM,5%,1/8WAA,TP1.8X3.2MM			USW31	3404-000165	SWITCH-TACT:12V,50mA,160gf,6x6mm,SPST		
UR5	2001-000660	R-CARBON:33KOHM,5%,1/8WAA,TP1.8X3.2MM			USW32	3404-000165	SWITCH-TACT:12V,50mA,160gf,6x6mm,SPST		
UR86	2001-000734	R-CARBON:4.7KOHM,5%,1/8WAA,TP1.8X3.2M			USW38	3404-000165	SWITCH-TACT:12V,50mA,160gf,6x6mm,SPST		
UR15	2001-000734	R-CARBON:4.7KOHM,5%,1/8WAA,TP1.8X3.2M			USW5	3404-000165	SWITCH-TACT:12V,50mA,160gf,6x6mm,SPST		
UR149	2001-000734	R-CARBON:4.7KOHM,5%,1/8WAA,TP1.8X3.2M			USW6	3404-000165	SWITCH-TACT:12V,50mA,160gf,6x6mm,SPST		
UR128	2001-000734	R-CARBON:4.7KOHM,5%,1/8WAA,TP1.8X3.2M			USW7	3404-000165	SWITCH-TACT:12V,50mA,160gf,6x6mm,SPST		
UR122	2001-000734	R-CARBON:4.7KOHM,5%,1/8WAA,TP1.8X3.2M			USW8	3404-000165	SWITCH-TACT:12V,50mA,160gf,6x6mm,SPST		
UR123	2001-000734	R-CARBON:4.7KOHM,5%,1/8WAA,TP1.8X3.2M			USW9	3404-000165	SWITCH-TACT:12V,50mA,160gf,6x6mm,SPST		
UR125	2001-000734	R-CARBON:4.7KOHM,5%,1/8WAA,TP1.8X3.2M			USW39	3404-000165	SWITCH-TACT:12V,50mA,160gf,6x6mm,SPST		
UR234	2001-000780	R-CARBON:470OHM,5%,1/8WAA,TP1.8X3.2MM			USW4	3404-000165	SWITCH-TACT:12V,50mA,160gf,6x6mm,SPST		
UR131	2001-000786	R-CARBON:47KOHM,5%,1/8WAA,TP1.8X3.2MM			USW40	3404-000165	SWITCH-TACT:12V,50mA,		

Location no	Code no.	Description	Specification	Remarks	Location no	Code no.	Description	Specification	Remarks
USW41	3404-000165	SWITCH-TACT;12V,50mA,160gf,6x6mm,SPST			AZD2	0403-000354	DIODE-ZENER;UZ5.1B,4.8-5.4V,500MW,DO-35		
USW42	3404-000165	SWITCH-TACT;12V,50mA,160gf,6x6mm,SPST			AZD3	0403-000358	DIODE-ZENER;UZ5.6BSB,5.46-5.7V,500MW,DO-35		
USW28	3404-000165	SWITCH-TACT;12V,50mA,160gf,6x6mm,SPST			AZD4	0403-000380	DIODE-ZENER;UZP13B,12.4-14.1V,1000MW,DO-35		
USW14	3404-000165	SWITCH-TACT;12V,50mA,160gf,6x6mm,SPST			AZD5	0403-000392	DIODE-ZENER;UZP4.7B,4.4-5V,1000MW,DO-41		
USW15	3404-000165	SWITCH-TACT;12V,50mA,160gf,6x6mm,SPST			AZD7	0403-000564	DIODE-ZENER;TZP16A,15.3-17.1V,1000MW,DO-35		
USW16	3404-000165	SWITCH-TACT;12V,50mA,160gf,6x6mm,SPST			AZD6	0403-000564	DIODE-ZENER;TZP16A,15.3-17.1V,1000MW,DO-35		
USW17	3404-000165	SWITCH-TACT;12V,50mA,160gf,6x6mm,SPST			AQ1	0501-000010	TR-SMALL SIGNAL;KSC1008,NPN,800mW,TO-92		
USW18	3404-000165	SWITCH-TACT;12V,50mA,160gf,6x6mm,SPST			AQ19	0501-000010	TR-SMALL SIGNAL;KSC1008,NPN,800mW,TO-92		
USW1	3404-000165	SWITCH-TACT;12V,50mA,160gf,6x6mm,SPST			AQ4	0501-0000303	TR-SMALL SIGNAL;KSA733,PNP,250mW,TO-92,T		
USW10	3404-000165	SWITCH-TACT;12V,50mA,160gf,6x6mm,SPST			AQ3	0501-000303	TR-SMALL SIGNAL;KSA733,PNP,250mW,TO-92,T		
USW11	3404-000165	SWITCH-TACT;12V,50mA,160gf,6x6mm,SPST			Q3	0501-000316	TR-SMALL SIGNAL;KSA928A-Y,PNP,1000mW,TO-92		
USW12	3404-000165	SWITCH-TACT;12V,50mA,160gf,6x6mm,SPST			Q2	0501-000316	TR-SMALL SIGNAL;KSA928A-Y,PNP,1000mW,TO-92		
USW13	3404-000165	SWITCH-TACT;12V,50mA,160gf,6x6mm,SPST			Q1	0501-000316	TR-SMALL SIGNAL;KSA928A-Y,PNP,1000mW,TO-92		
USW23	3404-000165	SWITCH-TACT;12V,50mA,160gf,6x6mm,SPST			AQ21	0501-000316	TR-SMALL SIGNAL;KSA928A-Y,PNP,1000mW,TO-92		
USW24	3404-000165	SWITCH-TACT;12V,50mA,160gf,6x6mm,SPST			AQ14	0501-000331	TR-SMALL SIGNAL;KSC1009-Y,NPN,800mW,TO-9		
USW25	3404-000165	SWITCH-TACT;12V,50mA,160gf,6x6mm,SPST			AQ13	0501-000331	TR-SMALL SIGNAL;KSC1009-Y,NPN,800mW,TO-9		
USW26	3404-000165	SWITCH-TACT;12V,50mA,160gf,6x6mm,SPST			AQ12	0501-000331	TR-SMALL SIGNAL;KSC1009-Y,NPN,800mW,TO-9		
USW27	3404-000165	SWITCH-TACT;12V,50mA,160gf,6x6mm,SPST			AQ11	0501-000331	TR-SMALL SIGNAL;KSC1009-Y,NPN,800mW,TO-9		
USW19	3404-000165	SWITCH-TACT;12V,50mA,160gf,6x6mm,SPST			AQ7	0501-000398	TR-SMALL SIGNAL;KSC945,NPN,250mW,TO-92,T		
USW2	3404-000165	SWITCH-TACT;12V,50mA,160gf,6x6mm,SPST			AQ6	0501-000398	TR-SMALL SIGNAL;KSC945,NPN,250mW,TO-92,T		
USW20	3404-000165	SWITCH-TACT;12V,50mA,160gf,6x6mm,SPST			AQ5	0501-000398	TR-SMALL SIGNAL;KSC945,NPN,250mW,TO-92,T		
USW22	3404-000165	SWITCH-TACT;12V,50mA,160gf,6x6mm,SPST			AQ22	0501-000398	TR-SMALL SIGNAL;KSC945,NPN,250mW,TO-92,T		
USW21	3404-000165	SWITCH-TACT;12V,50mA,160gf,6x6mm,SPST			AQ18	0501-000407	TR-SMALL SIGNAL;KSD471A-Y,NPN,800mW,TO-9		
AH41-00657B		PCB;MAXKJ730,NS,1,-1.6mm,-,FRO			AQ15	0501-000407	TR-SMALL SIGNAL;KSD471A-Y,NPN,800mW,TO-9		
					AQ10	0501-000407	TR-SMALL SIGNAL;KSD471A-Y,NPN,800mW,TO-9		
					AQ9	0501-000407	TR-SMALL SIGNAL;KSD471A-Y,NPN,800mW,TO-9		
					AR4	2001-000009	R-CARBON;20KOHM,5%,1/8W,AA,TP,1.8X3.2MM		
					AR61	2001-000016	R-CARBON(S);10OHM,5%,1/2W,AA,TP,2.4X6.4MM		
					AR62	2001-000019	R-CARBON(S);10OHM,5%,1/2W,AA,TP,2.4X6.4MM		
					AR51	2001-000019	R-CARBON(S);10OHM,5%,1/2W,AA,TP,2.4X6.4MM		
					AR26R	2001-000019	R-CARBON(S);10OHM,5%,1/2W,AA,TP,2.4X6.4MM		
					AR26L	2001-000019	R-CARBON(S);10OHM,5%,1/2W,AA,TP,2.4X6.4MM		
					AR16R	2001-000019	R-CARBON(S);10OHM,5%,1/2W,AA,TP,2.4X6.4MM		
					AR16L	2001-000019	R-CARBON(S);10OHM,5%,1/2W,AA,TP,2.4X6.4MM		
					AR112	2001-000019	R-CARBON(S);10OHM,5%,1/2W,AA,TP,2.4X6.4MM		
					AR63	2001-000027	R-CARBON;100OHM,5%,1/4W,AA,TP,2.4X6.4MM		
					AR78	2001-000028	R-CARBON(S);100OHM,5%,1/2W,AA,TP,2.4X6.4		
					AR13	2001-000109	R-CARBON(S);470OHM,5%,1/2W,AA,TP,2.4X6.4		
					AR14	2001-000109	R-CARBON(S);470OHM,5%,1/2W,AA,TP,2.4X6.4		
					AR32R	2001-000221	R-CARBON;1.2KOHM,5%,1/8W,AA,TP,1.8X3.2M		
					AR32L	2001-000221	R-CARBON;1.2KOHM,5%,1/8W,AA,TP,1.8X3.2M		
					AR14R	2001-000258	R-CARBON;1.8KOHM,5%,1/8W,AA,TP,1.8X3.2M		
					AR14L	2001-000258	R-CARBON;1.8KOHM,5%,1/8W,AA,TP,1.8X3.2M		
					AR67	2001-000273	R-CARBON;100KOHM,5%,1/8W,AA,TP,1.8X3.2M		
					AR22	2001-000273	R-CARBON;100KOHM,5%,1/8W,AA,TP,1.8X3.2M		
					AR20	2001-000273	R-CARBON;100KOHM,5%,1/8W,AA,TP,1.8X3.2M		
					AR19	2001-000273	R-CARBON;100KOHM,5%,1/8W,AA,TP,1.8X3.2M		
					AR16	2001-000273	R-CARBON;100KOHM,5%,1/8W,AA,TP,1.8X3.2M		
					AR64	2001-000290	R-CARBON;10KOHM,5%,1/8W,AA,TP,1.8X3.2MM		
					AR95	2001-000290	R-CARBON;10KOHM,5%,1/8W,AA,TP,1.8X3.2MM		
					AR49	2001-000290	R-CARBON;10KOHM,5%,1/8W,AA,TP,1.8X3.2MM		
					AR5	2001-000290	R-CARBON;10KOHM,5%,1/8W,AA,TP,1.8X3.2MM		
					AR21AA	2001-000290	R-CARBON;10KOHM,5%,1/8W,AA,TP,1.8X3.2MM		
					AR18	2001-000290	R-CARBON;10KOHM,5%,1/8W,AA,TP,1.8X3.2MM		
					AR17	2001-000290	R-CARBON;12KOHM,5%,1/8W,AA,TP,1.8X3.2MM		
					AR21	2001-000331	R-CARBON;12KOHM,5%,1/8W,AA,TP,1.8X3.2MM		
					AR108	2001-000429	R-CARBON;1KOHM,5%,1/8W,AA,TP,1.8X3.2MM		
					AR11L	2001-000429	R-CARBON;1KOHM,5%,1/8W,AA,TP,1.8X3.2MM		
					AR11R	2001-000429	R-CARBON;1KOHM,5%,1/8W,AA,TP,1.8X3.2MM		
					AR20L	2001-000429	R-CARBON;1KOHM,5%,1/8W,AA,TP,1.8X3.2MM		
					AR20R	2001-000429	R-CARBON;1KOHM,5%,1/8W,AA,TP,1.8X3.2MM		
					AR69	2001-000429	R-CARBON;1KOHM,5%,1/8W,AA,TP,1.8X3.2MM		
					AR107	2001-000429	R-CARBON;1KOHM,5%,1/8W,AA,TP,1.8X3.2MM		
					AR101	2001-000429	R-CARBON;1KOHM,5%,1/8W,AA,TP,1.8X3.2MM		
					AR102	2001-000429	R-CARBON;1KOHM,5%,1/8W,AA,TP,1.8X3.2MM		
					AR103	2001-000429	R-CARBON;1KOHM,5%,1/8W,AA,TP,1.8X3.2MM		
					AR104	2001-000429	R-CARBON;1KOHM,5%,1/8W,AA,TP,1.8X3.2MM		
					AR105	2001-000429	R-CARBON;1KOHM,5%,1/8W,AA,TP,1.8X3.2MM		
					AR106	2001-000429	R-CARBON;1KOHM,5%,1/8W,AA,TP,1.8X3.2MM		
					AR37R	2001-000449	R-CARBON;2.2KOHM,5%,1/8W,AA,TP,1.8X3.2M		
					AR37L	2001-000449	R-CARBON;2.2KOHM,5%,1/8W,AA,TP,1.8X3.2M		
					AR13R	2001-000472	R-CARBON;2.7KOHM,5%,1/8W,AA,TP,1.8X3.2M		
					AR13L	2001-000472	R-CARBON;2.7KOHM,5%,1/8W,AA,TP,1.8X3.2M		
					AR91	2001-000515	R-CARBON;220OHM,5%,1/8W,AA,TP,1.8X3.2MM		
					AR65	2001-000522	R-CARBON;22KOHM,5%,1/8W,AA,TP,1.8X3.2MM		
					AR6	2001-000522	R-CARBON;22KOHM,5%,1/8W,AA,TP,1.8X3.2MM		
					AR110	2001-000522	R-CARBON;22KOHM,5%,1/8W,AA,TP,1.8X3.2MM		
					AR28	2001-000522	R-CARBON;22KOHM,5%,1/8W,AA,TP,1.8X3.2MM		
					AR92	2001-000591	R-CARBON;3.3KOHM,5%,1/8W,AA,TP,1.8X3.2M		
					AR7	2001-000591	R-CARBON;3.3KOHM,5%,1/8W,AA,TP,1.8X3.2M		
					AR10R	2001-000591	R-CARBON;3.3KOHM,5%,1/8W,AA,TP,1.8X3.2M		
					AR109	2001-000591	R-CARBON;3.3KOHM,5%,1/8W,AA,TP,1.8X3.2M		
					AR10L	2001-000591	R-CARBON;3.3KOHM,5%,1/8W,AA,TP,1.8X3.2M		
					AR8	2001-000613	R-CARBON;3.9KOHM,5%,1/8W,AA,TP,1.8X3.2M		
					AR72	2001-000613	R-CARBON;3.9KOHM,5%,1/8W,AA,TP,1.8X3.2M		
					AR10	2001-000660	R-CARBON;33KOHM,5%,1/8W,AA,TP,1.8X3.2MM		
					AR93	2001-000660	R-CARBON;33KOHM,5%,1/8W,AA,TP,1.8X3.2MM		
					AR74	2001-000660	R-CARBON;33KOHM,5%,1/8W,AA,TP,1.8X3.2MM		
					AR73	2001-000660	R-CARBON;33KOHM,5%,1/8W,AA,TP,1.8X3.2MM		
					AR23	2001-000660	R-CARBON;33KOHM,5%,1/8W,AA,TP,1.8X3.2MM		
					AR11	2001-000660	R-CARBON;33KOHM,5%,1/8W,AA,TP,1.8X3.2MM		
					AR9	2001-000689	R-CARBON;390KOHM,5%,1/8W,AA,TP,1.8X3.2M		
					AR96	2001-000734	R-CARBON;4.7KOHM,5%,1/8W,AA,TP,1.8X3.2M		
AD25	0402-001258	DIODE-BRIDGE;GBU606,600V,6A,SIP-4,BK							
AD26	0402-001258	DIODE-BRIDGE;GBU606,600V,6A,SIP-4,BK							
AI3	1201-000191	IC-OP AMP;4558,DIP8P,300ML,DUAL,20V/mV							
AI2	1201-001955	IC-POWER AMP;STK403-070,-1,4P,47MM,-,30D							
AI1	1201-001963	IC-POWER AMP;STK403-100,SIP,14P,67X25.5M							
AR100A	2001-000012	R-CARBON;680KOHM,5%,1/8W,AA,TP,1.8X3.2M							
AR88	2003-000390	R-METAL OXIDE(S);0.27ohm,5%,2W,AA,TP,4x1							
AR87	2003-000390	R-METAL OXIDE(S);0.27ohm,5%,2W,AA,TP,4x1							
AR30	2003-000390	R-METAL OXIDE(S);0.27ohm,5%,2W,AA,TP,4x1							
AR15	2003-000390	R-METAL OXIDE(S);0.27ohm,5%,2W,AA,TP,4x1							
AR86	2003-000710	R-METAL OXIDE(S);470ohm,5%,2W,AA,TP,4x12							
AR90	2009-000018	R-METAL PLATE;0.22ohm,10%,5W,CL,TP,5x14x							
AR89	2009-000018	R-METAL PLATE;0.22ohm,10%,5W,CL,TP,5x14x							
AR25	2009-000018	R-METAL PLATE;0.22ohm,10%,5W,CL,TP,5x14x							
AR24	2009-000018	R-METAL PLATE;0.22ohm,10%,5W,CL,TP,5x14x							
AE6	2401-000230	C-AL;100uF,20%,100V,GP,TP,12.5x20mm							
AE5	2401-000230	C-AL;100uF,20%,100V,GP,TP,12.5x20mm							

Location no	Code no.	Description	Specification	Remarks	Location no	Code no.	Description	Specification	Remarks
AR100	2001-000734	R-CARBON:4.7KOHM,5%,1/8WAA,TP1.8X3.2M			AE10L	2401-000651	C-AL:2.2uF,20%,50V,GPTP,4x7.5		
AR27	2001-000734	R-CARBON:4.7KOHM,5%,1/8WAA,TP1.8X3.2M			AE22	2401-000804	C-AL:220uF,20%,16V,GPTP,8x9mm,5		
AR52L	2001-000734	R-CARBON:4.7KOHM,5%,1/8WAA,TP1.8X3.2M			AE14	2401-001164	C-AL:33uF,20%,16V,GPTP,5x11mm,5mm		
AR52R	2001-000734	R-CARBON:4.7KOHM,5%,1/8WAA,TP1.8X3.2M			AE34	2401-001361	C-AL:470uF,20%,16V,BPTP,13x20mm,5m		
AR76	2001-000734	R-CARBON:4.7KOHM,5%,1/8WAA,TP1.8X3.2M			AE11	2401-001625	C-AL:6.8uF,20%,50V,GPTP,5x11.5		
AR75	2001-000734	R-CARBON:4.7KOHM,5%,1/8WAA,TP1.8X3.2M			AE15	2401-001893	C-AL:100uF,20%,16V,GPTP,6.3x7.5		
AR94	2001-000734	R-CARBON:4.7KOHM,5%,1/8WAA,TP1.8X3.2M				AH41-00658A	PCB:MAX-VJ730,###,1 LAYER,-,-,247		
AR98	2001-000786	R-CARBON:47KOHM,5%,1/8WAA,TP1.8X3.2MM				AH92-02044A	ASSY PCB-POWER;MAX-KJ730,XFO		
AR54R	2001-000786	R-CARBON:47KOHM,5%,1/8WAA,TP1.8X3.2MM			PBD1	0402-000450	DIODE-BRIDGE:PBL403,200V,4A,DIP-4,ST		
AR54L	2001-000786	R-CARBON:47KOHM,5%,1/8WAA,TP1.8X3.2MM			PIC4 PI	1201-000191	IC-OP AMP:4558,DIP,8P,300MIL,DUAL,20V/mV		
AR42L	2001-000786	R-CARBON:47KOHM,5%,1/8WAA,TP1.8X3.2MM			PIC1	1203-001006	IC-POSIFIXED REG.:78R05,TO-220F,4P,-,PL		
AR42R	2001-000786	R-CARBON:47KOHM,5%,1/8WAA,TP1.8X3.2MM			PIC2	1203-001543	IC-POSIFIXED REG.:78R33,TO-220,4P,400MI		
AR43L	2001-000786	R-CARBON:47KOHM,5%,1/8WAA,TP1.8X3.2MM			PIC3	1203-001589	IC-POSIFIXED REG.:278R05,TO-220F,4P,-,P		
AR43R	2001-000786	R-CARBON:47KOHM,5%,1/8WAA,TP1.8X3.2MM			PC7	2401-001633	C-AL:6800uF,20%,25V,GPBK,18x35.5,7		
AR22R	2001-000857	R-CARBON:560OHM,5%,1/8WAA,TP1.8X3.2MM			PC13	2401-001923	C-AL:2200uF,20%,16V,GPBK,12.5x16.5		
AR22L	2001-000857	R-CARBON:560OHM,5%,1/8WAA,TP1.8X3.2MM			CO1	3301-000132	CORE-FERRITE:AC,28.8x19.3x7.5mm,1400,290		
AR23R	2001-000864	R-CARBON:56KOHM,5%,1/8WAA,TP1.8X3.2MM			PFS1	3601-000263	FUSE-CARTRIDGE:250V,3.15A,TIME-LAG,GLASS		
AR23L	2001-000864	R-CARBON:56KOHM,5%,1/8WAA,TP1.8X3.2MM			PCW1	3711-000631	CONNECTOR-HEADER,BOX,11P,1R,2.5mm,STRAIG		
AR21R	2001-000864	R-CARBON:56KOHM,5%,1/8WAA,TP1.8X3.2MM			PCW2	3711-000820	CONNECTOR-HEADER,BOX,2P,1R,2.5mm,STRAIGH		
AR21L	2001-000864	R-CARBON:56KOHM,5%,1/8WAA,TP1.8X3.2MM			PCW4	3711-001011	CONNECTOR-HEADER,BOX,5P,1R,2.5mm,STRAIGH		
AR18R	2001-000864	R-CARBON:56KOHM,5%,1/8WAA,TP1.8X3.2MM			PCW6	3711-002809	CONNECTOR-HEADER,BOX,8P,1R,2mm,STRAIGHT,		
AR18L	2001-000864	R-CARBON:56KOHM,5%,1/8WAA,TP1.8X3.2MM			PCW3	3711-002810	CONNECTOR-HEADER,BOX,9P,1R,2mm,STRAIGHT,		
AR12R	2001-000864	R-CARBON:56KOHM,5%,1/8WAA,TP1.8X3.2MM			PCW7	3711-003107	CONNECTOR-HEADER,BOX,3P,1R,2.5mm,STRAIGH		
AR12L	2001-000864	R-CARBON:56KOHM,5%,1/8WAA,TP1.8X3.2MM			PCW5	3711-003409	CONNECTOR-HEADER,BOX,3P,1R,2mm,STRAIGHT,		
AR12	2001-000864	R-CARBON:56KOHM,5%,1/8WAA,TP1.8X3.2MM			VJACK2	3722-002145	JACK-PIN:1P(VHS+PIN),SHIELD,N,BLACK,YE		
AR77	2001-000890	R-CARBON:8.2KOHM,5%,1/8WAA,TP1.8X3.2M			VJACK1	3722-002147	JACK-PIN:3PIN,RED/BLU/GRN,ANGLE		
AR31R	2001-000977	R-CARBON:8.2KOHM,5%,1/8WAA,TP1.8X3.2M			PCW2	AH39-00460A	LEAD CONNECTOR:SPS-3510,51004-8P,150,#28		
AR40L	2001-000977	R-CARBON:8.2KOHM,5%,1/8WAA,TP1.8X3.2M			PCW6	AH39-00460A	LEAD CONNECTOR:SPS-3510,51004-8P,150,#28		
AR40R	2001-000977	R-CARBON:8.2KOHM,5%,1/8WAA,TP1.8X3.2M			PR2	2003-000708	R-METAL OXIDE(S):470hm,5%,1WAA,TP,3.3x9		
AR26	2001-000977	R-CARBON:8.2KOHM,5%,1/8WAA,TP1.8X3.2M			PR1	2003-000708	R-METAL OXIDE(S):470hm,5%,1WAA,TP,3.3x9		
AR31L	2001-000977	R-CARBON:8.2KOHM,5%,1/8WAA,TP1.8X3.2M			PC5	2201-000565	C-CERAMIC,DISC:47nF,+80-20%,-,12.5x4m		
AR79	2001-001153	R-CARBON(S):47OHM,5%,1/2WAA,TP2.4X6.4M			PC6	2201-000565	C-CERAMIC,DISC:47nF,+80-20%,-,12.5x4m		
AR80	2001-001153	R-CARBON(S):47OHM,5%,1/2WAA,TP2.4X6.4M			PC4	2201-000565	C-CERAMIC,DISC:47nF,+80-20%,-,12.5x4m		
AR81	2003-000008	R-METAL OXIDE(S):100ohm,5%,1WAA,TP,3.3x			PC1	2201-000565	C-CERAMIC,DISC:47nF,+80-20%,-,12.5x4m		
AR82	2003-000008	R-METAL OXIDE(S):100ohm,5%,1WAA,TP,3.3x			PC2	2201-000565	C-CERAMIC,DISC:47nF,+80-20%,-,12.5x4m		
AR83	2003-000008	R-METAL OXIDE(S):100ohm,5%,1WAA,TP,3.3x			PC3	2201-000565	C-CERAMIC,DISC:47nF,+80-20%,-,12.5x4m		
AR84	2003-000009	R-METAL OXIDE(S):220ohm,5%,1WAA,TP,3.3x			PC11	2401-001355	C-AL:470uF,20%,10V,GPTP,8x11.5mm,5		
AR99	2003-000674	R-METAL OXIDE(S):39ohm,5%,1WAA,TP,3.3x9			PC8	2401-001355	C-AL:470uF,20%,10V,GPTP,8x11.5mm,5		
AR17L	2003-000689	R-METAL OXIDE(S):4.7ohm,5%,1WAA,TP,3.3x			PC9	2401-001355	C-AL:470uF,20%,10V,GPTP,8x11.5mm,5		
AR17R	2003-000689	R-METAL OXIDE(S):4.7ohm,5%,1WAA,TP,3.3x			PC10	2401-001895	C-AL:100uF,20%,16V,GPTP,6.3x11.2,5		
AR27L	2003-000689	R-METAL OXIDE(S):4.7ohm,5%,1WAA,TP,3.3x			POWER-PCB	AH41-00699A	PCB-POWER:MAX-KJ730,PANEL,1 LAYER,-,-,16		
AR27R	2003-000689	R-METAL OXIDE(S):4.7ohm,5%,1WAA,TP,3.3x							
AR66	2008-000141	R-FUSIBLE:2.2ohm,5%,1/4WAA,TP2.6x6.7mm							
AC26B	2201-000161	C-CERAMIC,DISC:10NF,+80-20%,500V,Y5V,TP							
AC26A	2201-000161	C-CERAMIC,DISC:10NF,+80-20%,500V,Y5V,TP							
AC23L	2201-000532	C-CERAMIC,DISC:4.7NF,10%,50V,Y5P,TP,8X3.							
AC23R	2201-000532	C-CERAMIC,DISC:4.7NF,10%,50V,Y5P,TP,8X3.							
AC24L	2201-000532	C-CERAMIC,DISC:4.7NF,10%,50V,Y5P,TP,8X3.							
AC24R	2201-000532	C-CERAMIC,DISC:4.7NF,10%,50V,Y5P,TP,8X3.							
AC61	2201-000565	C-CERAMIC,DISC:47nF,+80-20%,-,12.5x4m							
AC22R	2201-000838	C-CERAMIC,DISC:0.003NF,0.25PF,50V,C0G,TP							
AC22L	2201-000838	C-CERAMIC,DISC:0.003NF,0.25PF,50V,C0G,TP							
AC12R	2201-000838	C-CERAMIC,DISC:0.003NF,0.25PF,50V,C0G,TP							
AC12L	2201-000838	C-CERAMIC,DISC:0.003NF,0.25PF,50V,C0G,TP							
AC10L	2202-000263	C-CERAMIC,MLC-AXIAL:470pF,10%,50V,Y5P,TP							
AC10R	2202-000263	C-CERAMIC,MLC-AXIAL:470pF,10%,50V,Y5P,TP							
AC20R	2202-000263	C-CERAMIC,MLC-AXIAL:470pF,10%,50V,Y5P,TP							
AC20L	2202-000263	C-CERAMIC,MLC-AXIAL:470pF,10%,50V,Y5P,TP							
AC11R	2202-000263	C-CERAMIC,MLC-AXIAL:470pF,10%,50V,Y5P,TP							
AC11L	2202-000263	C-CERAMIC,MLC-AXIAL:470pF,10%,50V,Y5P,TP							
AC1	2202-000780	C-CERAMIC,MLC-AXIAL:100nF,+80-20%,50V,Y5							
AC2	2202-000780	C-CERAMIC,MLC-AXIAL:100nF,+80-20%,50V,Y5							
AC28	2202-000806	C-CERAMIC,MLC-AXIAL:220pF,10%,50V,Y5P,TP							
AC27	2202-000806	C-CERAMIC,MLC-AXIAL:220pF,10%,50V,Y5P,TP							
AC21R	2202-000806	C-CERAMIC,MLC-AXIAL:220pF,10%,50V,Y5P,TP							
AC21L	2202-000806	C-CERAMIC,MLC-AXIAL:220pF,10%,50V,Y5P,TP							
AC41	2301-000128	C-FILM,LEAD-PEF:100nF,5%,50V,TP,10X9X4.3							
AC25R	2301-000128	C-FILM,LEAD-PEF:100nF,5%,50V,TP,10X9X4.3							
AC25L	2301-000128	C-FILM,LEAD-PEF:100nF,5%,50V,TP,10X9X4.3							
AC13R	2301-000128	C-FILM,LEAD-PEF:100nF,5%,50V,TP,10X9X4.3							
AC13L	2301-000128	C-FILM,LEAD-PEF:100nF,5%,50V,TP,10X9X4.3							
AC3	2301-000449	C-FILM,LEAD-PEF:47nF,10%,50V,TP,9.5x12.5							
AE33	2401-000027	C-AL:4.7uF,20%,50V,GPTP,5x11.5							
AE18	2401-000027	C-AL:4.7uF,20%,50V,GPTP,5x11.5							
AE21L	2401-000240	C-AL:100uF,20%,10V,GPTP,5x11.5							
AE21R	2401-000240	C-AL:100uF,20%,10V,GPTP,5x11.5							
AE7	2401-000303	C-AL:100uF,20%,25V,GPTP,6.3x11.5							
AE9	2401-000357	C-AL:100uF,20%,50V,GP,-,8x11.5,3.5m							
AE8	2401-000357	C-AL:100uF,20%,50V,GP,-,8x11.5,3.5m							
AE4	2401-000357	C-AL:100uF,20%,50V,GP,-,8x11.5,3.5m							
AE3	2401-000357	C-AL:100uF,20%,50V,GP,-,8x11.5,3.5m							
AE12	2401-000357	C-AL:100uF,20%,50V,GP,-,8x11.5,3.5m							
AE16	2401-000414	C-AL:10uF,20%,16V,GPTP,4x7.5							
AE32	2401-000455	C-AL:10uF,20%,35V,GPTP,4x7mm,5mm							
AE31	2401-000455	C-AL:10uF,20%,35V,GPTP,4x7mm,5mm							
AE11	2401-000455	C-AL:10uF,20%,35V,GPTP,4x7mm,5mm							
AE10	2401-000455	C-AL:10uF,20%,35V,GPTP,4x7mm,5mm							
AE11R	2401-000480	C-AL:10uF,20%,50V,GPTP,5x11.5							
AE11L	2401-000480	C-AL:10uF,20%,50V,GPTP,5x11.5							
AE17	2401-000598	C-AL:1uF,20%,50V,GPTP,4x7.5							
AE21	2401-000651	C-AL:2.2uF,20%,50V,GPTP,4x7.5							
AE20R	2401-000651	C-AL:2.2uF,20%,50V,GPTP,4x7.5							
AE10R	2401-000651	C-AL:2.2uF,20%,50V,GPTP,4x7.5							

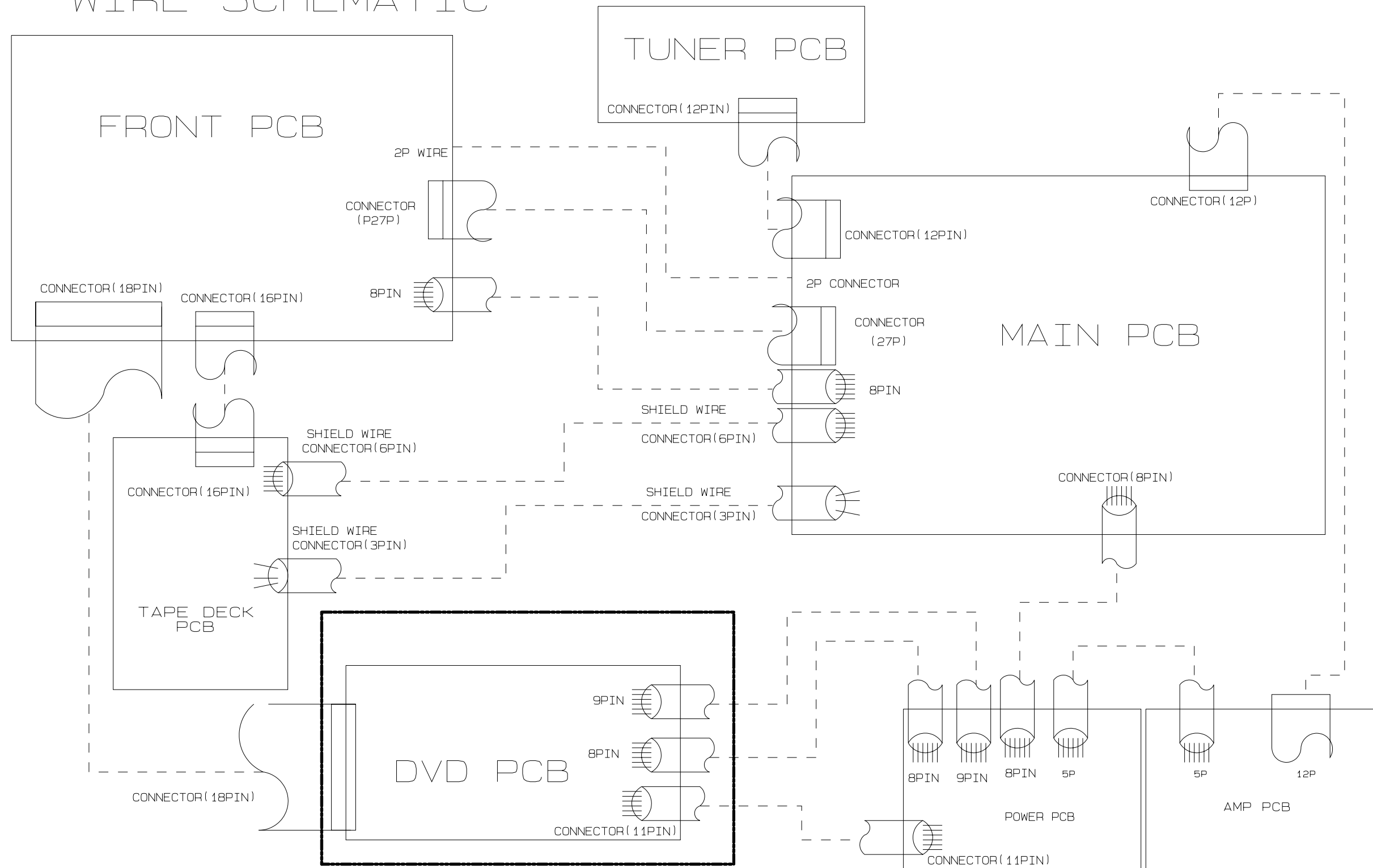
4. Block Diagram

4-1 MAIN



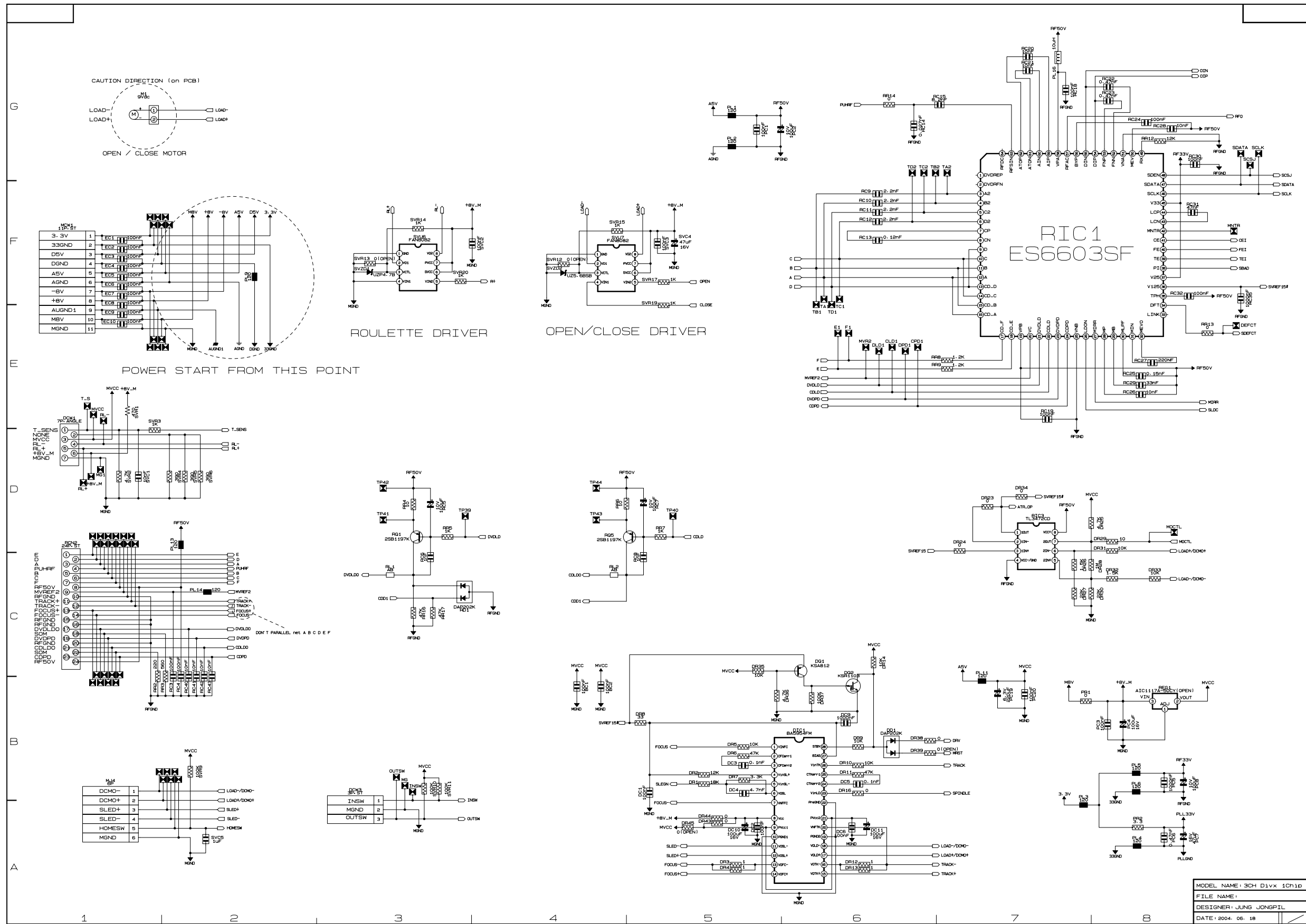
5. Wiring Diagram

MODEL : MAXDJ730 / KJ730
WIRE SCHEMATIC

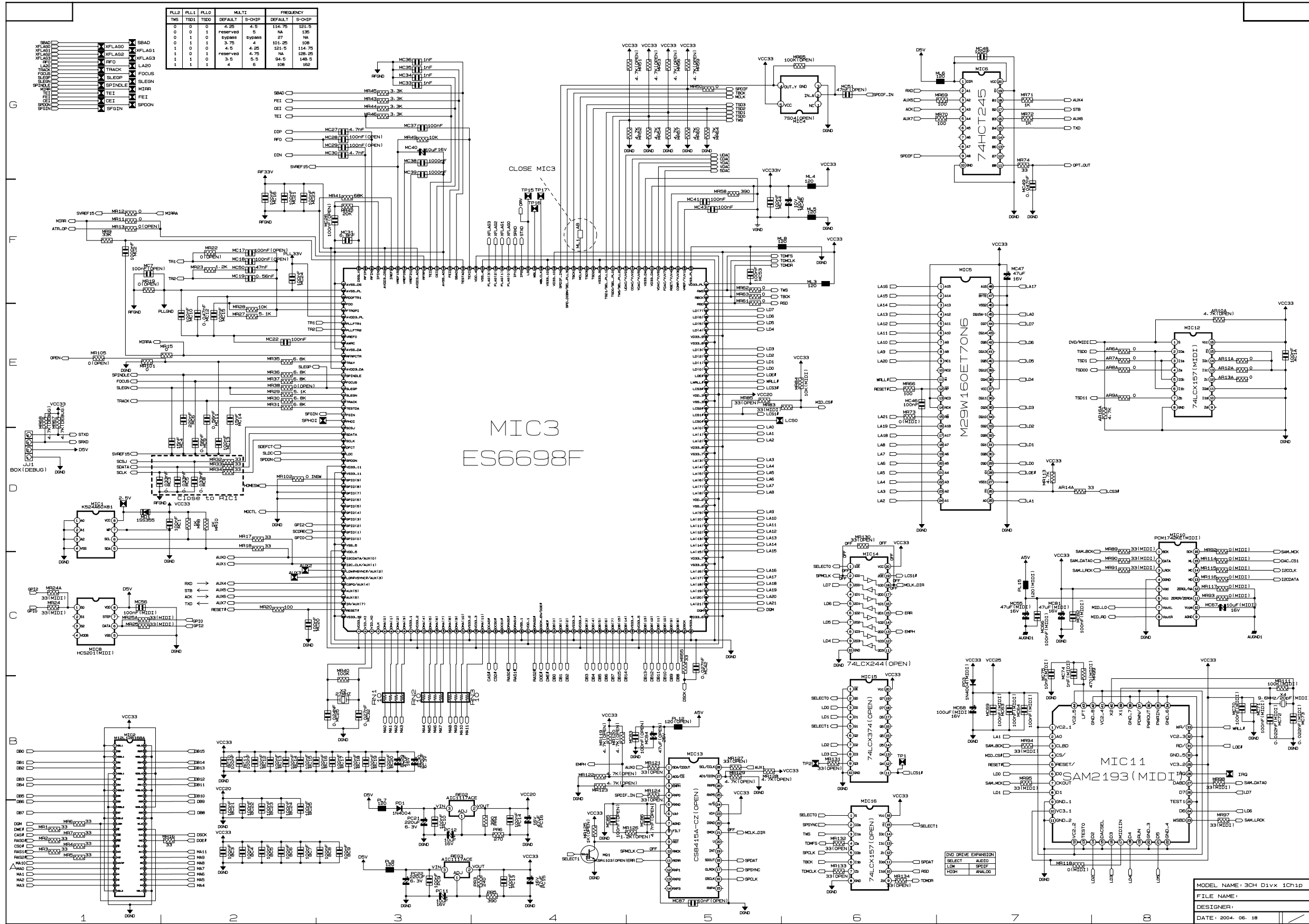


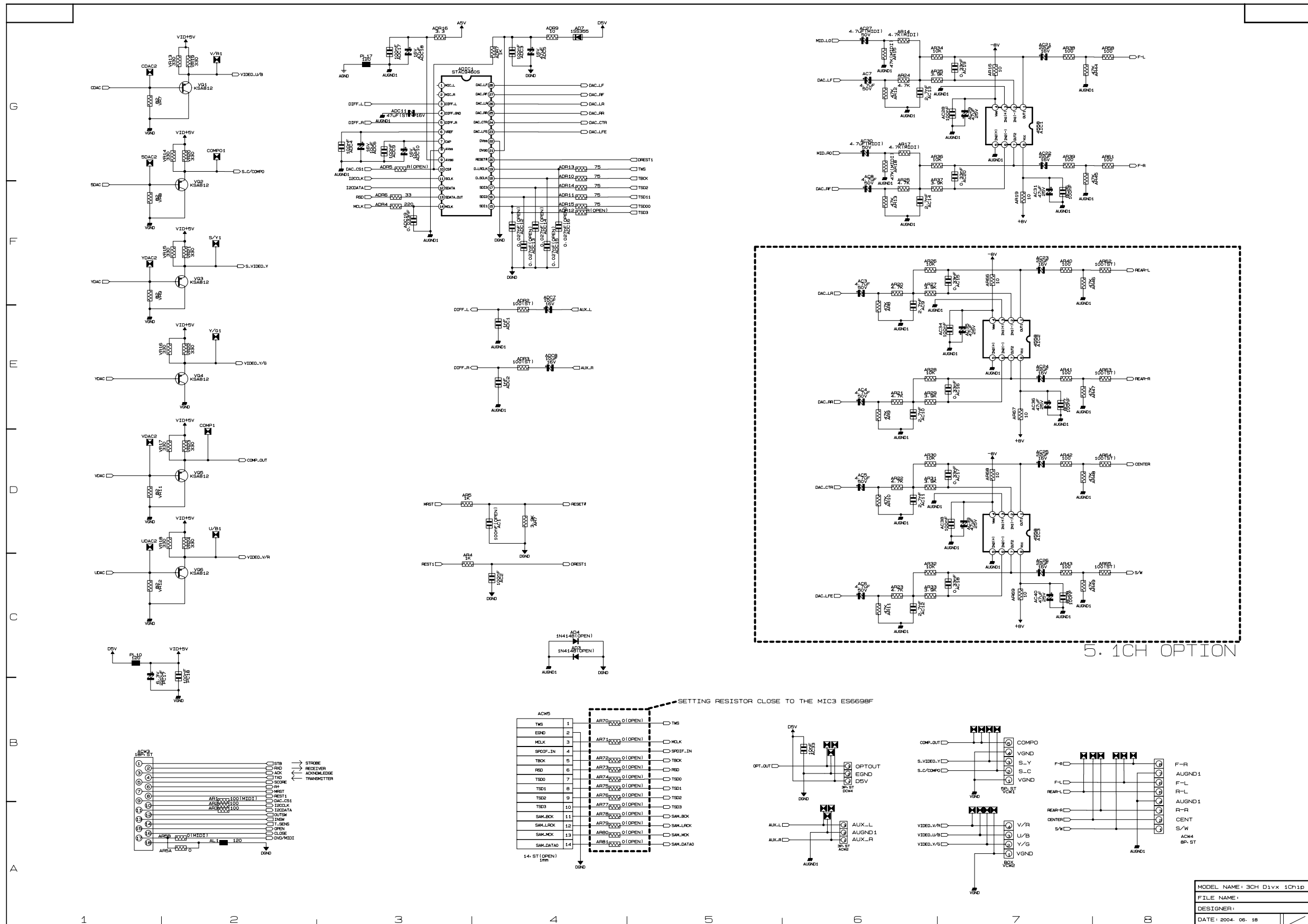
6. Schematic Diagram

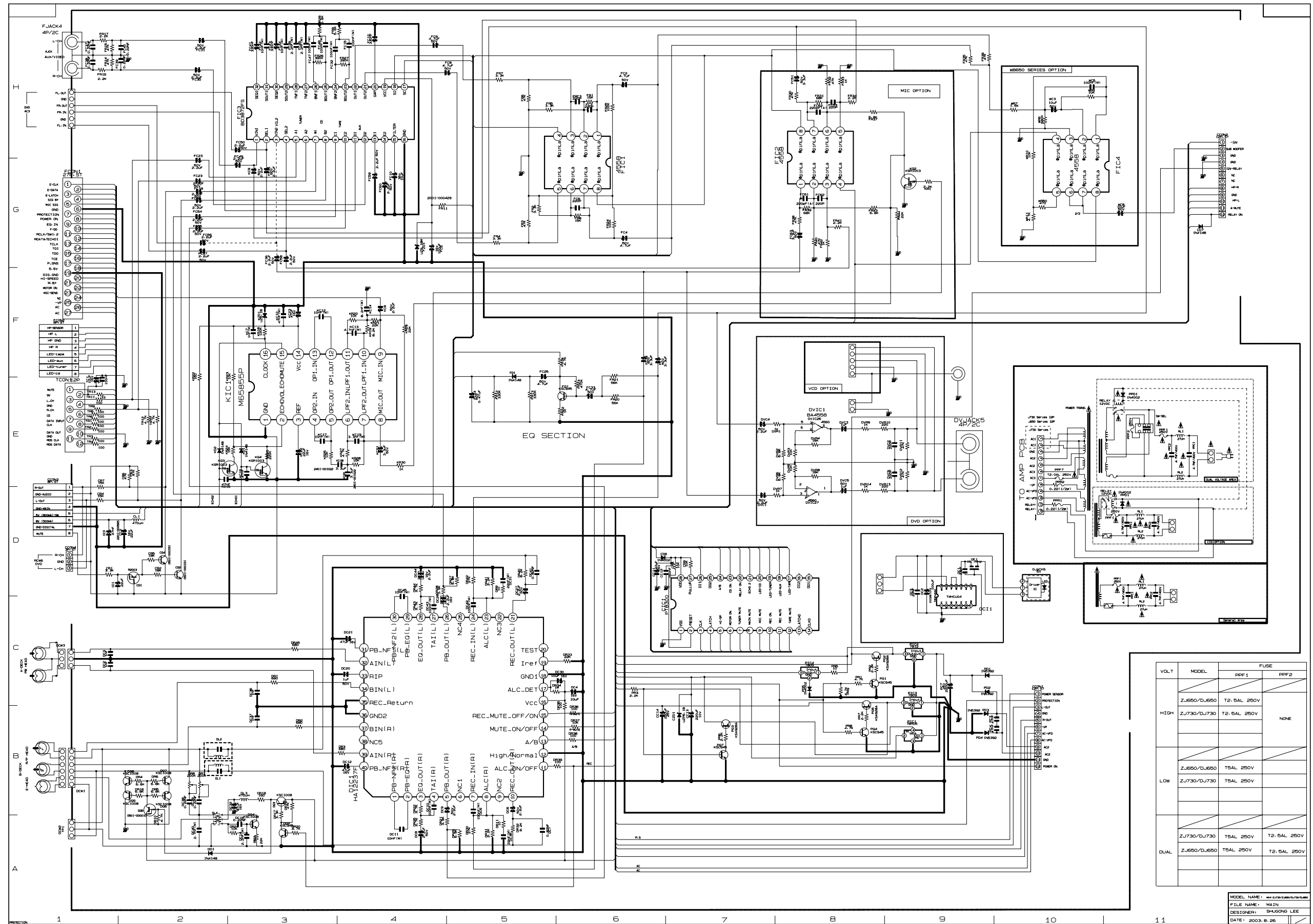
6-1 DVD (PART 1)



MODEL NAME: 3CH Divx 1Ch1p
 FILE NAME:
 DESIGNER: JUNG JONGPIL
 DATE: 2004. 08. 18

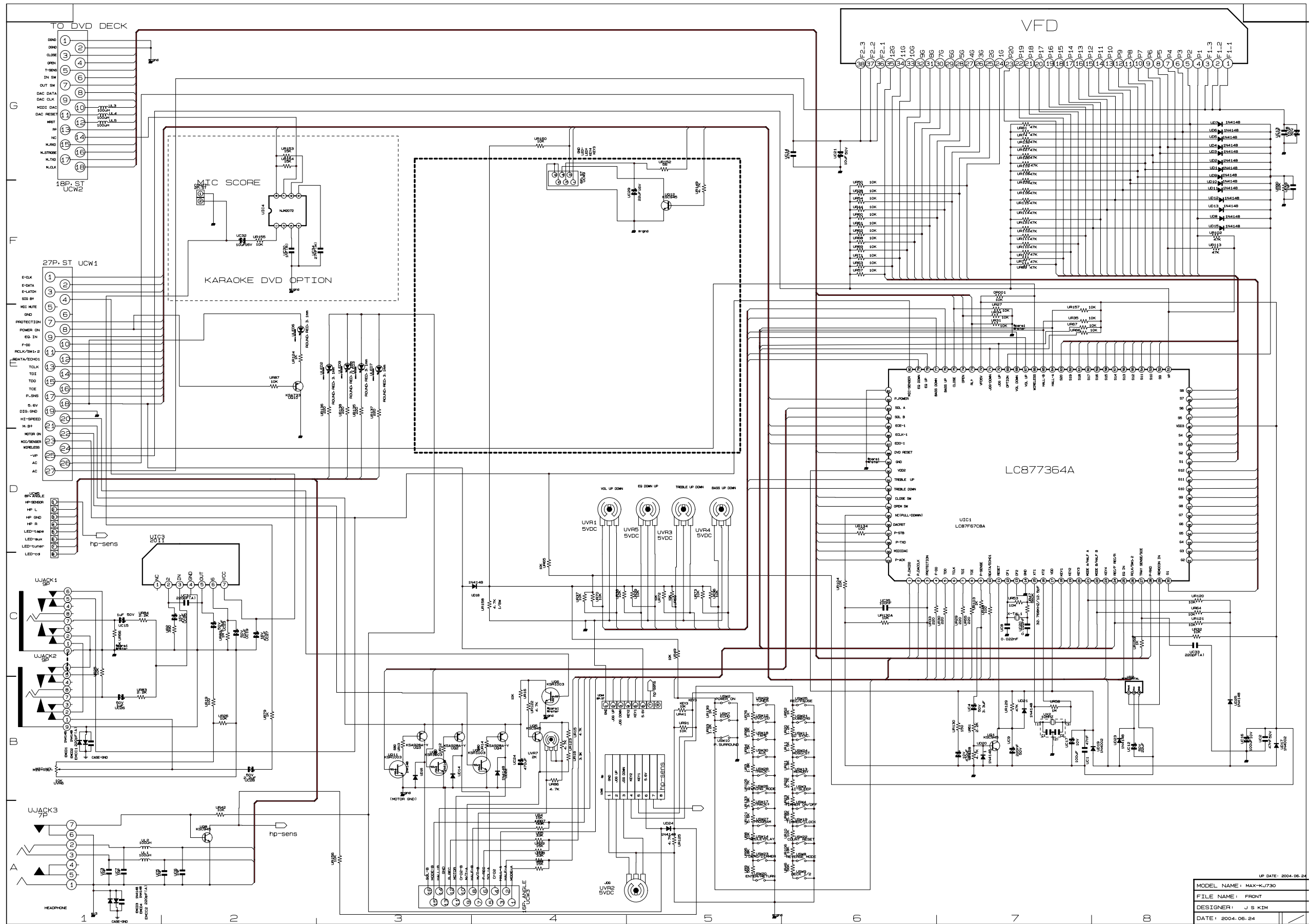




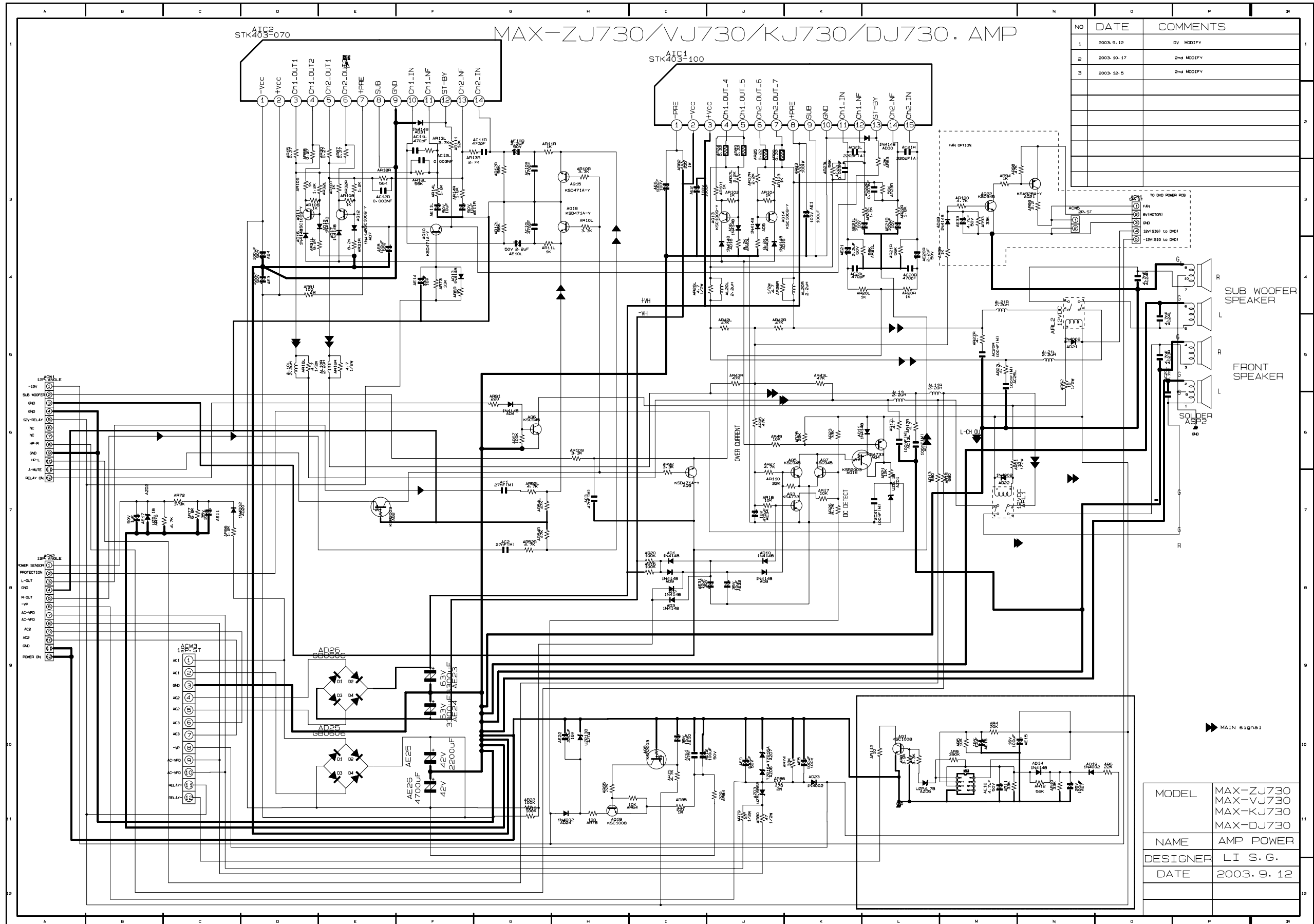


VOLT	MODEL	FUSE	
		PPF1	PPF2
HIGH	ZJ650/DJ650	T2.5AL 250V	
	ZJ730/DJ730	T2.5AL 250V	NONE
LOW	ZJ650/DJ650	TSAL 250V	
	ZJ730/DJ730	TSAL 250V	
DUAL	ZJ730/DJ730	TSAL 250V	T2.5AL 250V
	ZJ650/DJ650	TSAL 250V	T2.5AL 250V

MODEL NAME: HA12337/HA12337A
 FILE NAME: MAIN
 DESIGNER: SHAGONG LEE
 DATE: 2003.8.26



UP DATE:	2004.06.24
MODEL NAME:	MAX-KJ730
FILE NAME:	FRONT
DESIGNER:	J S KIM
DATE:	2004.06.24



NO	DATE	COMMENTS
1	2003.9.12	Dv MODIFY
2	2003.10.17	2nd MODIFY
3	2003.12.5	2nd MODIFY

MODEL	MAX-ZJ730 MAX-VJ730 MAX-KJ730 MAX-DJ730
NAME	AMP POWER
DESIGNER	LI S. G.
DATE	2003.9.12