
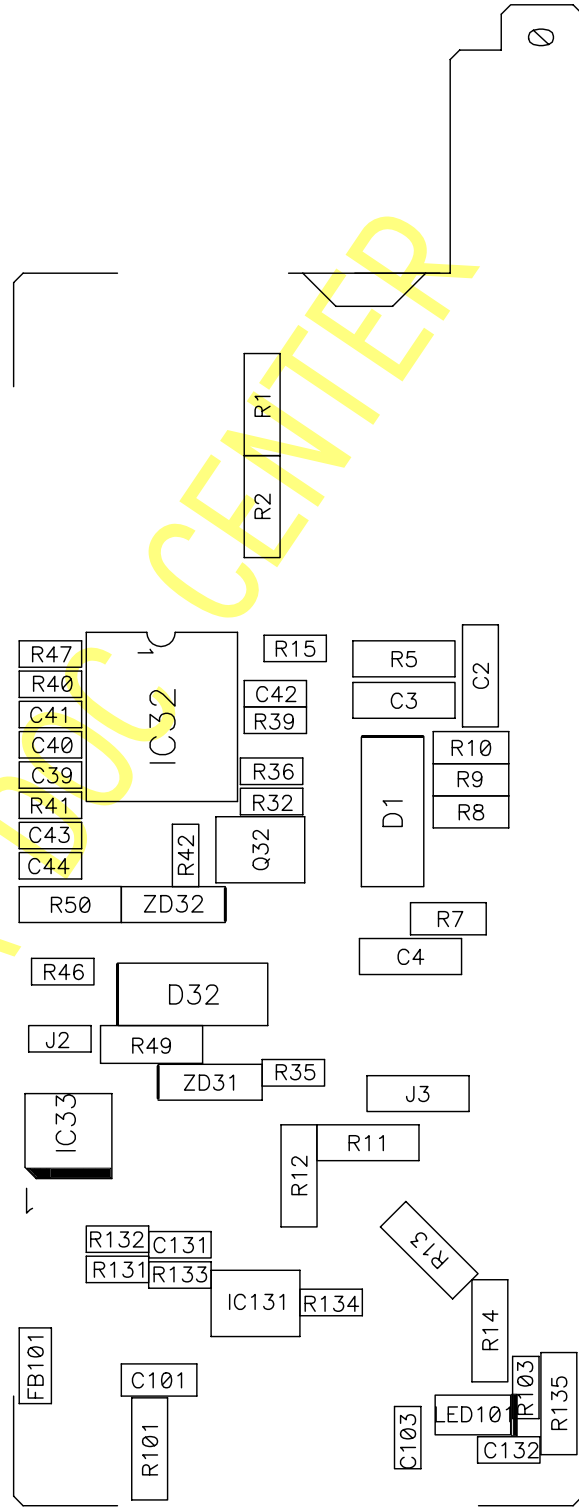


DELTA DOC CENTER

 <p style="font-size: 8px;">THESE DRAWINGS AND SPECIFICATIONS ARE THE PROPERTY OF DELTA ELECTRONICS, INC AND SHALL NOT BE REPRODUCED OR USED AS THE BASIS FOR THE MANUFACTURE OR SELL OF APPARATUSSES OR DEVICES WITHOUT PERMISSON.</p>	Date: 05/13/10	LY.REV.(R/C) 3/1	Drawn: JI	Checked	Approved	MODEL NAME	REV.	SHEET
	PWB: ADP-40PH BBC 2940108503	SC-ADP40PHBBCR3C1 FILE NAME:	<b>鄭仲結</b> 5/13/'10	<b>蔣進財</b> 5/13/'10	<b>ADP-40PH ABW</b>	01	01 OF 01	

DESCRIPTION: SCHEMATIC OF  
AC --> DC ADAPTOR

ADP-40PH BBC REV:2 CODE:0 2940108502



## 8. BOM (Part list)



**< ADP-40PH ABW CUSTOMER BOM LIST >**

DATE: 2010/6/2  
REV.: 00

CUSTOMER:PEGATRON

DESCRIPTION	MFG NAME	MFG PART	%	QPA	UNIT	DESIGN NO	Item text 1
RES CF 1/4W 1.5Kohm J SMALL	KAMAYA			1.000	PCE	R38	
	ROYAL						
	TY-OHM						
	YAGEO						
FUSE T S 3.15A 250V L	BEL FUSE LIMITED	RST 3.15	0	1.000	PCE	F1	
FUSE T S 3.15A 250V L	LITTELFUSE FAR EAST PTE LTD.	392-3.15A	0	1.000	PCE	F1	
FUSE T S 3.15A 250V L	Walter Electronic Co Ltd	2010T3.15A	100	1.000	PCE	F1	
RES NTC 470Kohm J 5200K +/-7%	UPPERMOST ELECTRONIC INDUSTRIES	TDC05D447J(TDC05D447)-5m1	0	1.000	PCE	NTC31	
RES NTC 470Kohm J 5200K +/-7%	THINKING ELECTRONIC INDUSTRIAL CO	TTC05474JSY751(TTC474)	100	1.000	PCE	NTC31	
CAP Y1/X1 CD 250VAC 100-1000pF K B V110	MURATA MANUFACTURING CO.LTD	DE1B3KX101KN4AL01	0	1.000	PCE	CY1	
CAP Y1/X1 CD 250VAC 100-1000pF K B V110	HOLY STONE ENTERPRISE CO LTD	SDCP101K103AT2	0	1.000	PCE	CY1	
CAP Y1/X1 CD 250VAC 100-1000pF K B V110	WALSIN TECHNOLOGY CORPORATION	AH08B101KX0M-S	100	1.000	PCE	CY1	
CAP Y1/X1 CD 250VAC 100-1000pF M E V110	TDK Corporation	CD75-E2GA681MYGS					
CAP Y1/X1 CD 250VAC 100-1000pF K B V110	TDK Corporation	CD10-B2GA681KYGS					
(Typic CAP Y1/X1 CD 250VAC 100pF M B TP V110)							
CAP AL LD 25V 680uF M 10*16 TP P5	LUMINOUS TOWN ELECTRIC CO., LTD.	XYD1EM681G16B	100	1.000	PCE	C102	
CAP AL LD 25V 680uF M 10*16 TP P5	NICHICON CORPORATION	UHD1E681MPD6TD	0	1.000	PCE	C102	
CAP AL LD 25V 680uF M 10*16 TP P5	RUBYCON CORPORATION	25ZL680MEFCT810*16	0	1.000	PCE	C102	
CAP AL LD 25V 680uF M 10*16 TP P5	TAICON CORPORATION	THD1E681MK10160RC5					
CAP AL LD 25V 680uF M 10*16 TP P5	NIPPON CHEMI-CON CORPORATION	EKZE250ETD681MJ16S					
CAP AL LD 35V 33uF M 5*11 TP P5	LUMINOUS TOWN ELECTRIC CO., LTD.	ZGD1VM330D11A	100	1.000	PCE	C31	
CAP AL LD 35V 33uF M 5*11 TP P5	RUBYCON CORPORATION	35YXG33MEFCTA5*11	0	1.000	PCE	C31	
CAP AL LD 35V 33uF M 5*11 TP P5	NIPPON CHEMI-CON CORPORATION	EKY-350ETC330ME11D	0	1.000	PCE	C31	
CAP AL LD 35V 33uF M 5*11 TP P5	NICHICON CORPORATION	UPW1V330MDD1TA					
CAP AL LD 35V 33uF M 5*11 TP P5	TAICON CORPORATION	TPW1V330MK05110TC1					
CAP AL LD 35V 33uF M 5*11 TP P5	CAPXON ELECTRONIC IND. CO., LTD.	GL330M035C110T050PET					
CAP AL 400V 82uF M 16*25 P7.5	LUMINOUS TOWN ELECTRIC CO., LTD.	TYV2GM820K250	100	1.000	PCE	C1	
CAP AL 400V 82uF M 16*25 P7.5	NIPPON CHEMI-CON CORPORATION	EKMQ401ELL820ML25S	0	1.000	PCE	C1	
CAP AL 400V 82uF M 16*24 P7.5	MAN YUE ELECTRONICS CO.,LTD.	EKM826M2GK24RRP					
CAP AL 400V 82uF M 16*25 P7.5	NICHICON CORPORATION	UPZ2G820MNDDDT					
CAP X2 MP PC 275VAC 0.15uF K P15	HUA JUNG COMPONENTS CO., LTD.	MKP-154K0275AB1151	100	1.000	PCE	CX1	
CAP X2 MP PC 300VAC 0.15uF K S15	OKAYA HONG KONG TRADING LTD.	LE154-MX-30-C3.2	0	1.000	PCE	CX1	
CAP X2 MP PC 275VAC 0.15uF M P15	ARCOTRONICS ITALIA SPA	R46K1315045M					
DIO BRD 2A 800V D3K-4P	SHINDENGEN ELECTRIC MANUFACTUR	UD2KB80-7000	0	1.000	PCE	BD1	
DIO BRD 2A 800V 2K-4P	Tianjin Zhong-Huan Semiconductor	T2KB80	100	1.000	PCE	BD1	
DIO BRD 2A 800V KBPM-4P	VISHAY SEMICONDUCTOR	2KBP08M-E4/51					
DIO BRD 2A 800V KBP-4P	LITE-ON SEMICONDUCTOR CORP.	KBP208G					
DIO SBD 20A 100V TO-220AB-3P C.C.	ON Semiconductor Corporation	MBR20H100CTG	100	1.000	PCE	D101	
DIO SBD 20A 100V TO-220AB-3P C.C.	STMicroelectronics Asia Pacific Pte	STPS20H100CT	0	1.000	PCE	D101	
DIO SBD 20A 100V TO-220AB-3P C.C.	STMicroelectronics Asia Pacific Pte	STPS20SM100ST	0	1.000	PCE	D101	
DIO SBD 20A 100V TO-220AB-3P C.C.	TAIWAN SEMICONDUCTOR CO.,LTD.	MBR20100CT					
DIO SBD 30A 100V TO-220AB-3P C.C.	STMicroelectronics Asia Pacific Pte	STPS30H100CT					
DIO SBD 30A 100V TO-220-3P C.C.	ON Semiconductor Corporation	MBR30H100CTG					
DIO SBD 30A 100V TO-220AB-3P C.C.	STMicroelectronics Asia Pacific Pte	STPS30H100CT					
DIO SBD 30A 100V TO-220-3P C.C.	ON Semiconductor Corporation	MBR30H100CTG					
DIO SBD 30A 100V TO-220AB-3P	STMicroelectronics Asia Pacific Pte	STPS30100ST					
DIO SBD 30A 100V TO-220AB-3P	STMicroelectronics Asia Pacific Pte	STPS30M100ST					
DIO SBD 30A 100V TO-220AB-3P	STMicroelectronics Asia Pacific Pte	STPS30SM100ST					
FET 600V 6A 1.2ohm TO-220FP-3P	STMicroelectronics Asia Pacific Pte	STP6NK60ZFP	100	1.000	PCE	Q1	
FET 600V 6A 1.1ohm TO-220F(LS)-3P	SANYO ELECTRONIC CO.,LTD.	2SK2628LS	0	1.000	PCE	Q1	
FET 600V 7A 1.2ohm TO-220F-3P	AUK CORPORATION	STK0760F	0	1.000	PCE	Q1	
FET 600V 6A 1.25ohm TO-220SIS-3P	TOSHIBA CORP.	TK6A60D(STA4,Q)					
FET 600V 10A 750mohm TO-220F-3P	TOSHIBA CORP.	2SK3569(Q)					
FET 600V 10A 750mohm TO-220SIS-3P	TOSHIBA	TK10A60D(STA4,Q)					
FET 600V 6A 1.25ohm TO-220F-3P	TOSHIBA CORP.	2SK3562(Q)					
FET 600V 7.5A 1.2ohm TO-220F-3P	FAIRCHILD SEMICONDUCTOR HK LTD.	FQPF8N60C					
FET 600V 10A 750mohm TO-220FP-3P	ST	STP10NK60ZFP					
FET 600V 9.5A 730mohm TO-220F-3P	FAIRCHILD	FQPF10N60C					
FET 600V 10A 640mohm TO-220FP-3P	ST	STF12NK60Z					
FET 600V 11A 750mohm TO-220F-3P	FUJI	FMV11N60ES					
INDUCTOR CR T10 251uH MIN	DELTA ELECTRONICS,INC.	CR-10-NB60	100	1.000	PCE	FL1	
LINE FILTER T10 270uH MIN	DELTA ELECTRONICS,INC.	LFV-NB9493	0	1.000	PCE	FL1	
LINE FILTER T10 270uH MIN	DELTA ELECTRONICS,INC.	LFV-NB9111					
TRANSFORMER MAIN RM8 720uH +/-5%	DELTA ELECTRONICS,INC.	MV-NB9024		1.000	PCE	T1	
LINE FILTER T14 11.7mH MIN	DELTA ELECTRONICS,INC.	LF-R14-NB6031		1.000	PCE	FL2	
JUMP WIRE CU 0.6*15*4 NAT				1.000	PCE	J1	
RES SMD 1/4W 20ohm F 1206	KAMAYA		100	1.000	PCE	R101	
	ROYAL						
	TA-I						
	YAGEO						
RES SMD 1/4W 20ohm F 1206	WALSIN TECHNOLOGY CORPORATION	WR12X20R0FTL	0	1.000	PCE	R101	
RES SMD 1/4W 0ohm J 1206	KAMAYA		100	1.000	PCE	J3	
	ROYAL						
	TA-I						
	YAGEO						
RES SMD 1/4W 0ohm J 1206	WALSIN TECHNOLOGY CORPORATION	WR12X000 PTL	0	1.000	PCE	J3	

**< ADP-40PH ABW CUSTOMER BOM LIST >**

DATE: 2010/6/2  
REV.: 00

CUSTOMER:PEGATRON

DESCRIPTION	MFG NAME	MFG PART	%	QPA	UNIT	DESIGN NO	Item text 1
RES SMD 1/4W 100K-300Kohm J 1206	KAMAYA		100	1.000	PCE	R5	
	ROYAL						
	TA-I						
	YAGEO						
RES SMD 1/4W 100K-300Kohm J 1206 (Typical RES SMD 1/4W 200Kohm J 1206)	WALSIN TECHNOLOGY CORPORATION	WR12X204 JTL	0	1.000	PCE	R5	
RES SMD 1/4W 3.3Mohm J 1206	KAMAYA		100	1.000	PCE	R1	
	ROYAL						
	TA-I						
	YAGEO						
RES SMD 1/4W 3.3Mohm J 1206	KAMAYA		100	1.000	PCE	R2	
	ROYAL						
	TA-I						
	YAGEO						
RES SMD 1/4W 3.3Mohm J 1206	WALSIN TECHNOLOGY CORPORATION	WR12X335 JTL	0	1.000	PCE	R1	
RES SMD 1/4W 3.3Mohm J 1206	WALSIN TECHNOLOGY CORPORATION	WR12X335 JTL	0	1.000	PCE	R2	
RES SMD 1/4W 820ohm J 1206	KAMAYA		100	1.000	PCE	R49	
	ROYAL						
	TA-I						
	YAGEO						
RES SMD 1/4W 820ohm J 1206	KAMAYA		100	1.000	PCE	R50	
	ROYAL						
	TA-I						
	YAGEO						
RES SMD 1/4W 820ohm J 1206	WALSIN TECHNOLOGY CORPORATION	WR12X821 JTL	0	1.000	PCE	R49	
RES SMD 1/4W 820ohm J 1206	WALSIN TECHNOLOGY CORPORATION	WR12X821 JTL	0	1.000	PCE	R50	
RES SMD 1/10W 68ohm F 0603	KAMAYA		100	1.000	PCE	R39	
	ROYAL						
	TA-I						
	YAGEO						
RES SMD 1/10W 68ohm F 0603	WALSIN TECHNOLOGY CORPORATION	WR06X68R0FTL	0	1.000	PCE	R39	
RES SMD 1/10W 10.3K-12.6Kohm F 0603	KAMAYA		100	1.000	PCE	R134	
	ROYAL						
	TA-I						
	YAGEO						
RES SMD 1/10W 10.3K-12.6Kohm F 0603 (Typical RES SMD 1/10W 11.5Kohm F 06033)	WALSIN TECHNOLOGY CORPORATION	WR06X1152FTL	0	1.000	PCE	R134	
RES SMD 1/8W 1.2-1.8ohm F 0805	KAMAYA		100	1.000	PCE	R10	
	ROYAL						
	TA-I						
	YAGEO						
RES SMD 1/8W 1.2-1.8ohm F 0805	KAMAYA		100	1.000	PCE	R7	
	ROYAL						
	TA-I						
	YAGEO						
RES SMD 1/8W 1.2-1.8ohm F 0805	KAMAYA		100	1.000	PCE	R8	
	ROYAL						
	TA-I						
	YAGEO						
RES SMD 1/8W 1.2-1.8ohm F 0805	KAMAYA		100	1.000	PCE	R9	
	ROYAL						
	TA-I						
	YAGEO						
RES SMD 1/8W 1.2-1.8ohm F 0805	WALSIN TECHNOLOGY CORPORATION	WR08W1R50FTL	0	1.000	PCE	R10	
RES SMD 1/8W 1.2-1.8ohm F 0805	WALSIN TECHNOLOGY CORPORATION	WR08W1R50FTL	0	1.000	PCE	R7	
RES SMD 1/8W 1.2-1.8ohm F 0805	WALSIN TECHNOLOGY CORPORATION	WR08W1R50FTL	0	1.000	PCE	R8	
RES SMD 1/8W 1.2-1.8ohm F 0805 (Typical RES SMD 1/8W 1.5ohm F 0805)	WALSIN TECHNOLOGY CORPORATION	WR08W1R50FTL	0	1.000	PCE	R9	
RES SMD 1/10W 76.8Kohm F 0603	KAMAYA		100	1.000	PCE	R133	
	ROYAL						
	TA-I						
	YAGEO						
RES SMD 1/10W 76.8Kohm F 0603	WALSIN TECHNOLOGY CORPORATION	WR06X7682FTL	0	1.000	PCE	R133	
RES SMD 1/10W 100K-180Kohm F 0603	KAMAYA		100	1.000	PCE	R46	
	ROYAL						
	TA-I						
	YAGEO						
RES SMD 1/10W 100K-180Kohm F 0603 (Typical RES SMD 1/10W 130Kohm F 0603)	WALSIN TECHNOLOGY CORPORATION	WR06X1303FTL	0	1.000	PCE	R46	
RES SMD 1/10W 31.6ohm F 0603	KAMAYA		100	1.000	PCE	R32	
	ROYAL						
	TA-I						
	YAGEO						
RES SMD 1/10W 31.6ohm F 0603	WALSIN TECHNOLOGY CORPORATION	WR06X31R6FTL	0	1.000	PCE	R32	
RES SMD 1/10W 0ohm J 0603	KAMAYA		100	1.000	PCE	J2	
	ROYAL						
	TA-I						
	YAGEO						
RES SMD 1/10W 0ohm J 0603	KAMAYA		100	1.000	PCE	R42	
	ROYAL						
	TA-I						
	YAGEO						
RES SMD 1/10W 0ohm J 0603	WALSIN TECHNOLOGY CORPORATION	WR06X000 PTL	0	1.000	PCE	J2	
RES SMD 1/10W 0ohm J 0603	WALSIN TECHNOLOGY CORPORATION	WR06X000 PTL	0	1.000	PCE	R42	
RES SMD 1/10W 1Kohm J 0603	KAMAYA		100	1.000	PCE	R131	

**< ADP-40PH ABW CUSTOMER BOM LIST >**

DATE: 2010/6/2  
REV.: 00

CUSTOMER: PEGATRON

DESCRIPTION	MFG NAME	MFG PART	%	QPA	UNIT	DESIGN NO	Item text 1
	ROYAL						
	TA-I						
	YAGEO						
RES SMD 1/10W 1Kohm J 0603	KAMAYA		100	1.000	PCE	R132	
	ROYAL						
	TA-I						
	YAGEO						
RES SMD 1/10W 1Kohm J 0603	KAMAYA		100	1.000	PCE	R47	
	ROYAL						
	TA-I						
	YAGEO						
RES SMD 1/10W 1Kohm J 0603	WALSIN TECHNOLOGY CORPORATION	WR06X102 JTL	0	1.000	PCE	R131	
RES SMD 1/10W 1Kohm J 0603	WALSIN TECHNOLOGY CORPORATION	WR06X102 JTL	0	1.000	PCE	R132	
RES SMD 1/10W 1Kohm J 0603	WALSIN TECHNOLOGY CORPORATION	WR06X102 JTL	0	1.000	PCE	R47	
RES SMD 1/10W 10Kohm J 0603	KAMAYA		100	1.000	PCE	R35	
	ROYAL						
	TA-I						
	YAGEO						
RES SMD 1/10W 10Kohm J 0603	KAMAYA		100	1.000	PCE	R40	
	ROYAL						
	TA-I						
	YAGEO						
RES SMD 1/10W 10Kohm J 0603	WALSIN TECHNOLOGY CORPORATION	WR06X103 JTL	0	1.000	PCE	R35	
RES SMD 1/10W 10Kohm J 0603	WALSIN TECHNOLOGY CORPORATION	WR06X103 JTL	0	1.000	PCE	R40	
RES SMD 1/10W 120K~180Kohm J 0603	KAMAYA		100	1.000	PCE	R41	
	ROYAL						
	TA-I						
	YAGEO						
RES SMD 1/10W 120K~180Kohm J 0603	WALSIN TECHNOLOGY CORPORATION	WR06X134 JTL	0	1.000	PCE	R41	
(Typical RES SMD 1/10W 130Kohm J 0603)							
RES SMD 1/10W 5.1Kohm J 0603	KAMAYA		100	1.000	PCE	R15	
	ROYAL						
	TA-I						
	YAGEO						
RES SMD 1/10W 5.1Kohm J 0603	WALSIN TECHNOLOGY CORPORATION	WR06X512 JTL	0	1.000	PCE	R15	
RES SMD 1/10W 5.1ohm J 0603	KAMAYA		100	1.000	PCE	R36	
	ROYAL						
	TA-I						
	YAGEO						
RES SMD 1/10W 5.1ohm J 0603	WALSIN TECHNOLOGY CORPORATION	WR06X5R1 JTL	0	1.000	PCE	R36	
RES SMD 1/10W 8.2Kohm J 0603	KAMAYA		100	1.000	PCE	R103	
	ROYAL						
	TA-I						
	YAGEO						
RES SMD 1/10W 8.2Kohm J 0603	WALSIN TECHNOLOGY CORPORATION	WR06X822 JTL	0	1.000	PCE	R103	
RES SMD HI-VOL 1/4W 9.1Mohm J 1206	TAIWAN KAMAYA ELECTRIC CO.,LTD.	RVC32915JTP	100	1.000	PCE	R11	
RES SMD HI-VOL 1/4W 9.1Mohm J 1206	TAIWAN KAMAYA ELECTRIC CO.,LTD.	RVC32915JTP	100	1.000	PCE	R12	
RES SMD HI-VOL 1/4W 9.1Mohm J 1206	TAIWAN KAMAYA ELECTRIC CO.,LTD.	RVC32915JTP	100	1.000	PCE	R13	
RES SMD HI-VOL 1/4W 9.1Mohm J 1206	TAIWAN KAMAYA ELECTRIC CO.,LTD.	RVC32915JTP	100	1.000	PCE	R14	
RES SMD HI-VOL 1/4W 9.1Mohm J 1206	TA-I TECHNOLOGY CO.,LTD.	RH12JTN 915					
RES SMD HI-VOL 1/4W 9.1Mohm J 1206	TA-I TECHNOLOGY CO.,LTD.	RH12JTN 915					
RES SMD HI-VOL 1/4W 9.1Mohm J 1206	TA-I TECHNOLOGY CO.,LTD.	RH12JTN 915					
RES SMD HI-VOL 1/4W 9.1Mohm J 1206	TA-I TECHNOLOGY CO.,LTD.	RH12JTN 915					
CAP MC SMD 50V 100pF J C0G 0603	AVX		100	1.000	PCE	C43	
	KEMET						
	MURATA						
	PHYCOMP						
	TDK						
CAP MC SMD 50V 100pF J C0G 0603	SAMSUNG ELECTRO-MECHANICS CO.,LTD.	CL10C101JB8NFNC	0	1.000	PCE	C43	
CAP MC SMD 50V 100pF J C0G 0603	HOLY STONE ENTERPRISE CO LTD	C0603N101J050T	0	1.000	PCE	C43	
CAP MC SMD 50V 1000pF K X7R 0603	AVX		100	1.000	PCE	C44	
	KEMET						
	MURATA						
	PHYCOMP						
	TDK						
CAP MC SMD 50V 1000pF K X7R 0603	SAMSUNG ELECTRO-MECHANICS CO.,LTD.	CL10B102KB8NFNC	0	1.000	PCE	C44	
CAP MC SMD 50V 1000pF K X7R 0603	HOLY STONE ENTERPRISE CO LTD	C0603X102K050T	0	1.000	PCE	C44	
CAP MC SMD 50V 0.01uF K X7R 0603	AVX		100	1.000	PCE	C39	
	KEMET						
	MURATA						
	PHYCOMP						
	TDK						
CAP MC SMD 50V 0.01uF K X7R 0603	SAMSUNG ELECTRO-MECHANICS CO.,LTD.	CL10B103KB8NFNC	0	1.000	PCE	C39	
CAP MC SMD 50V 0.01uF K X7R 0603	HOLY STONE ENTERPRISE CO LTD	C0603X103K050T	0	1.000	PCE	C39	
CAP MC SMD 50V 0.022uF K X7R 0603	AVX		100	1.000	PCE	C40	
	KEMET						
	MURATA						
	PHYCOMP						
	TDK						
CAP MC SMD 50V 0.022uF K X7R 0603	SAMSUNG ELECTRO-MECHANICS CO.,LTD.	CL10B223KB8NFNC	0	1.000	PCE	C40	
CAP MC SMD 50V 0.1uF K X7R 0603	TDK Corporation	C1608X7R1H104KT	100	1.000	PCE	C131	
CAP MC SMD 50V 0.1uF K X7R 0603	TDK Corporation	C1608X7R1H104KT	100	1.000	PCE	C41	

**< ADP-40PH ABW CUSTOMER BOM LIST >**

DATE: 2010/6/2  
REV.: 00

CUSTOMER:PEGATRON

DESCRIPTION	MFG NAME	MFG PART	%	QPA	UNIT	DESIGN NO	Item text 1
CAP MC SMD 50V 0.1uF K X7R 0603	TDK Corporation	C1608X7R1H104KT	100	1.000	PCE	C42	
CAP MC SMD 50V 0.1uF K X7R 0603	MURATA MANUFACTURING CO.LTD	GRM188R71H104K	0	1.000	PCE	C131	
CAP MC SMD 50V 0.1uF K X7R 0603	MURATA MANUFACTURING CO.LTD	GRM188R71H104K	0	1.000	PCE	C41	
CAP MC SMD 50V 0.1uF K X7R 0603	MURATA MANUFACTURING CO.LTD	GRM188R71H104K	0	1.000	PCE	C42	
CAP MC SMD 50V 0.1uF K X7R 0603	SAMSUNG ELECTRO-MECHANICS CO., L	CL10B104KB8NFNC	0	1.000	PCE	C131	
CAP MC SMD 50V 0.1uF K X7R 0603	SAMSUNG ELECTRO-MECHANICS CO., L	CL10B104KB8NFNC	0	1.000	PCE	C41	
CAP MC SMD 50V 0.1uF K X7R 0603	SAMSUNG ELECTRO-MECHANICS CO., L	CL10B104KB8NFNC	0	1.000	PCE	C42	
CAP MC SMD 200V 680pF K X7R 0805	AVX		100	1.000	PCE	C101	
	KEMET						
	MURATA						
	PHYCOMP						
	TDK						
CAP MC SMD 200V 680pF K X7R 0805	WALSIN TECHNOLOGY CORPORATION	0805B681K201CT	0	1.000	PCE	C101	
CAP MC SMD 25V 1uF K X7R 0603	MURATA MANUFACTURING CO.LTD	GRM188R71E105KA12D	100	1.000	PCE	C103	
CAP MC SMD 25V 1uF K X7R 0603	SAMSUNG ELECTRO-MECHANICS CO., L	CL10B105KA8NFNC	0	1.000	PCE	C103	
CAP MC SMD 1KV 0~100pF J C0G 1206	KEMET ELECTRONICS CORPORATION	C1206C560JDGAC	0	1.000	PCE	C4	
CAP MC SMD 1KV 0~100pF J C0G 1206	Johanson Dielectrics International	102R18N560JV4E	0	1.000	PCE	C4	
CAP MC SMD 1KV 0~100pF J C0G 1206	HOLY STONE ENTERPRISE CO LTD	C1206N560J102T	100	1.000	PCE	C4	
(Typical CAP MC SMD 1KV 56pF J C0G 1206)							
CAP MC SMD 630V 1000~3300pF J C0G 1206	TDK Corporation	C3216C0G2J222J	100	1.000	PCE	C3	
CAP MC SMD 630V 1000~3300pF J C0G 1206	SAMSUNG ELECTRO-MECHANICS CO., L	CL31C222JHHNFNC	0	1.000	PCE	C3	
CAP MC SMD 630V 1000~3300pF J C0G 1206	HOLY STONE ENTERPRISE CO LTD	C1206N222J631T	0	1.000	PCE	C3	
(Typical CAP MC SMD 630V 2200pF J C0G 1206)							
CAP MC SMD 630V 0.001~0.033uF K X7R 1206	AVX		100	1.000	PCE	C2	
	KEMET						
	MURATA						
	PHYCOMP						
	TDK						
CAP MC SMD 630V 0.001~0.033uF K X7R 1206	WALSIN TECHNOLOGY CORPORATION	1206B103K631LT	0	1.000	PCE	C2	
CAP MC SMD 630V 0.001~0.033uF K X7R 1206	Johanson Dielectrics International	631R18W103KV4E-JN	0	1.000	PCE	C2	
CAP MC SMD 630V 0.001~0.033uF K X7R 1206	HOLY STONE ENTERPRISE CO LTD	C1206X103K631TX	0	1.000	PCE	C2	
(Typical CAP MC SMD 630V 0.01uF K X7R 1206)							
DIO ZEN 0.5W 15.25-16.04V MINIMELF-2P	VISHAY SEMICONDUCTOR	TLZ16B-GS08	0	1.000	PCE	ZD32	
DIO ZEN 0.5W 15.25-16.04V MINIMELF-2P	ROHM CO.,LTD.	RLZ TE-11 16B	100	1.000	PCE	ZD32	
DIO ZEN 0.5W 14.8-15.57V MINIMELF-2P SMD	VISHAY SEMICONDUCTOR	TLZ16A-GS08					
DIO ZEN 0.5W 14.8-15.57V MINIMELF-2P SMD	ROHM CO.,LTD.	RLZ TE-11 16A					
DIO ZEN 0.5W 14.35-15.09V MINIMELF-2P SMD	VISHAY SEMICONDUCTOR	TLZ15C-GS08					
DIO ZEN 0.5W 14.35-15.09V MINIMELF-2P SMD	ROHM CO.,LTD.	RLZ TE-11 15C					
DIO ZEN 0.5W 13.89-14.62V MINIMELF-2P SMD	VISHAY SEMICONDUCTOR	TLZ15C-GS08					
DIO ZEN 0.5W 13.89-14.62V MINIMELF-2P SMD	ROHM CO.,LTD.	RLZ TE-11 15C					
(Typical DIO ZEN 0.5W 15.25-16.04V MINIMELF-2P)							
DIO ZEN 0.5W 18.63-19.59V MINIMELF-2P	VISHAY SEMICONDUCTOR	TLZ20B-GS08	0	1.000	PCE	ZD31	
DIO ZEN 0.5W 18.63-19.59V MINIMELF-2P	ROHM CO.,LTD.	RLZ TE-11 20B	100	1.000	PCE	ZD31	
DIO SI 1A 1KV SMA-2P SMD	VISHAY SEMICONDUCTOR	S1M-E3/61T	0	1.000	PCE	D1	
DIO SI 1A 1KV SMA-2P SMD	VISHAY SEMICONDUCTOR	S1M-E3/61T	0	1.000	PCE	D32	
DIO SI 1A 1KV SMA-2P SMD	PAN JIT INTERNATIONAL INC.	GS1M T/R	100	1.000	PCE	D1	
DIO SI 1A 1KV SMA-2P SMD	PAN JIT INTERNATIONAL INC.	GS1M T/R	100	1.000	PCE	D32	
DIO SI 1A 1KV SMA-2P SMD	GULF SEMICONDUCTOR LIMITED	GS1M-47L	0	1.000	PCE	D1	
DIO SI 1A 1KV SMA-2P SMD	GULF SEMICONDUCTOR LIMITED	GS1M-47L	0	1.000	PCE	D32	
DIO SI 1A 1KV SMA-2P SMD	FAGOR ELECTRONICA, S. COOP	FS1M					
DIO SI 1A 1KV SMA-2P SMD	DIODES INC.	S1M-13-F					
DIO SI 1A 1KV SMA-2P SMD	ON Semiconductor Corporation	MRA4007T3G					
TR -40V -600mA SOT-23-3P 100 SMD	ON Semiconductor Corporation	MMBT4403LT1G	100	1.000	PCE	Q32	
TR -40V -600mA SOT-23-3P 100 SMD	NXP Semiconductors	PMBT4403,215	0	1.000	PCE	Q32	
LED BLUE 2012 SMD WC RECT	KINGBRIGHT ELECTRONIC CO., LTD.	KPT-2012LQBC-C		1.000	PCE	LED101	
PHOTO TR 50mA 80V SO-4P 100-200% SMD	FAIRCHILD SEMICONDUCTOR HK LTD.	HMA121CR3V_NF098	100	1.000	PCE	IC33	
PHOTO TR 50mA 70V SO-4P 100%-200% SMD	NEC CORPORATION	PS2761B-1-V-F3-A(Q)	0	1.000	PCE	IC33	
IC VOL REF ADJ 2.495V 100 mA 0.5%	TEXAS INSTRUMENTS	TL432BIDBZR	0	1.000	PCE	IC131	
IC VOL REF ADJ 2.5V 100 mA 0.5%	BCD Semiconductor Manufacturing	AS431ANTR-E1	0	1.000	PCE	IC131	
IC VOL REF ADJ 2.495V 100 mA 1%	TEXAS INSTRUMENTS	TL432AIDBZR	100	1.000	PCE	IC131	
IC VOL REF ADJ 2.495V 200 mA 0.5%	DIODES INC.	AP431ARL-7					
IC VOL REF ADJ 2.495V 200 mA 1% SC59R-3P	DIODES INC.	AP431RL-7					
IC VOL REF ADJ 2.5V 100 mA 1% SOT-23-3P	BCD Semiconductor Manufacturing	AS431BNTR-E1					
IC VOL REF ADJ 2.495V 150 mA 1% TSM-3P	KEC ELECTRONICS CO.,LTD	KIA431AS-RTK/P					
IC ASIC PWM SO-14P SMD	ON Semiconductor Corporation	DAP018ADR2G		1.000	PCE	IC32	
BEAD CH 31ohm 6A 0805	CHILISIN ELECTRONICS CORP.	UPB201209T-310Y-N	0	1.000	PCE	FB101	
BEAD CH 31ohm 6A 0805	TAI-TECH ADVANCED ELECTRONICS CO	HCB2012KF-310T60	100	1.000	PCE	FB101	
PWB S 0 E2 CEM-1 79.4*30.1*1.2	BRITE PLUS			1.000	PCE		
	KEENRICH						
	WANNIENFU						
	HSIANG KUO						
	GLORY FAITH						
	TECHNI						
	SHANGHAI WANZHENG						
	CHENG HO						
DC POWER CORD PLUG L1800 BLK T3	ASLINK			1.000	PCE		
	CAROL						

**< ADP-40PH ABW CUSTOMER BOM LIST >**

DATE: 2010/6/2  
REV.: 00

CUSTOMER:PEGATRON

DESCRIPTION	MFG NAME	MFG PART	%	QPA	UNIT	DESIGN NO	Item text 1
	EVERFULL						
	FOXCONN						
	JI-HAW						
	LIU YUANE						
	WENTAI						
	WORLDTEC						
LABEL PACKING ART PAPER 75*105 T0.125	CYMMETRIK			12.990	TP		FOR PSE REQUIREMENT
	YONGTA						
TAPE PLE 10mm 1L #1350F-1 YEL	Minnesota Mining Manufacture Co.,	#1350F-1 W=10		65.000	MMT		FOR SHIELD ASS'Y
TAPE PAPER 6mm 1L CM3XK WHT	Symbio,Inc.	CM3XK W=6		30.000	MMT		
TAPE PLE 12mm 3L #1350F-1 YEL	Minnesota Mining Manufacture Co.,	#1350F-1 W=12 3L		30.000	MMT		FOR SOCKET
TAPE PLE 12mm 3L #1350F-1 YEL	Minnesota Mining Manufacture Co.,	#1350F-1 W=12 3L		25.000	MMT		FOR C102
TAPE PLE 26mm 3L #1350F-1 YEL	Minnesota Mining Manufacture Co.,	#1350F-1 W=26 3L		26.000	MMT		FOR HSK2
PAD PA 94V0 6.2*2.5*2.5 BLK				1.000	PCE		
LABEL EMPTY ART PAPER 88*70 T0.05				12.990	TP		PEGA CARTON LABEL
LABEL EMPTY PLE 8*50 T0.05 SADP-65KB	BAE YI			1.000	PCE		FOR PEGATRON BARCODE LABEL ON ADAPTER
LABEL SPEC PLE 64.5*27.1 T0.1 ADP-40PH				1.000	PCE		SPEC LABEL
	CYMMETRIK						
	YONGTA						
CASE COVER PC 94V0 89*36*12.9 BLK			0	1.000	PCE		
CASE COVER PC 94V0 89*36*12.9 BLK			100	1.000	PCE		
CASE CHASSIS PC 94V0 89*36*12.7 BLK			0	1.000	PCE		
CASE CHASSIS PC 94V0 89*36*12.7 BLK			100	1.000	PCE		
	BAYER	MAKROLON 6485					
	DOW	CELEX 3600					
	SABIC	LEXAN 945					
HSK STAMP SPT 53.2*20.1 T0.5 PICKLING				1.000	PCE		HSK1
HSK STAMP SPT 17.8*16.7 T0.5 PICKLING				1.000	PCE		HSK2
	DATANG						
	HENG YU						
	HOO THAI						
	WAN CHENG						
	WEISHENG						
SHIELD AL 55*29.5*22.9*0.2 PICKLING	CHON YANG			1.000	PCE		
	HOO THAI						
CLIP SUS 13.5*6.6*8*0.4	EICOO			1.000	PCE		FOR HSK1
	FINEKING						
	HOO THAI						
	IVIC						
	JINLONG						
SOCKET ASSY ADP-40PH ABA	DELTA			1.000	PCE		
SHIELD ASSY ADP-40PH ABA	CHON YANG			1.000	PCE		
	HOO THAI						