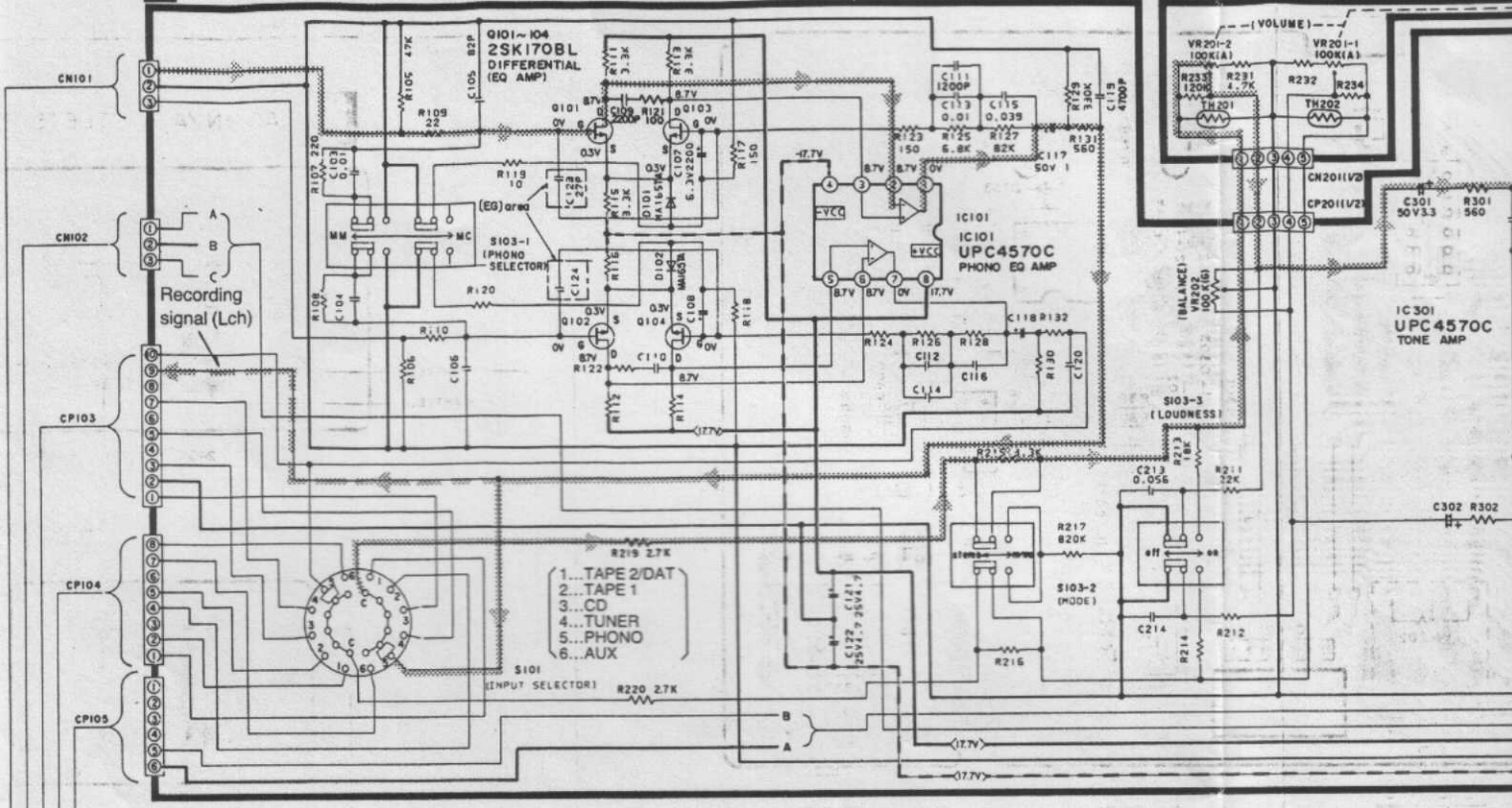
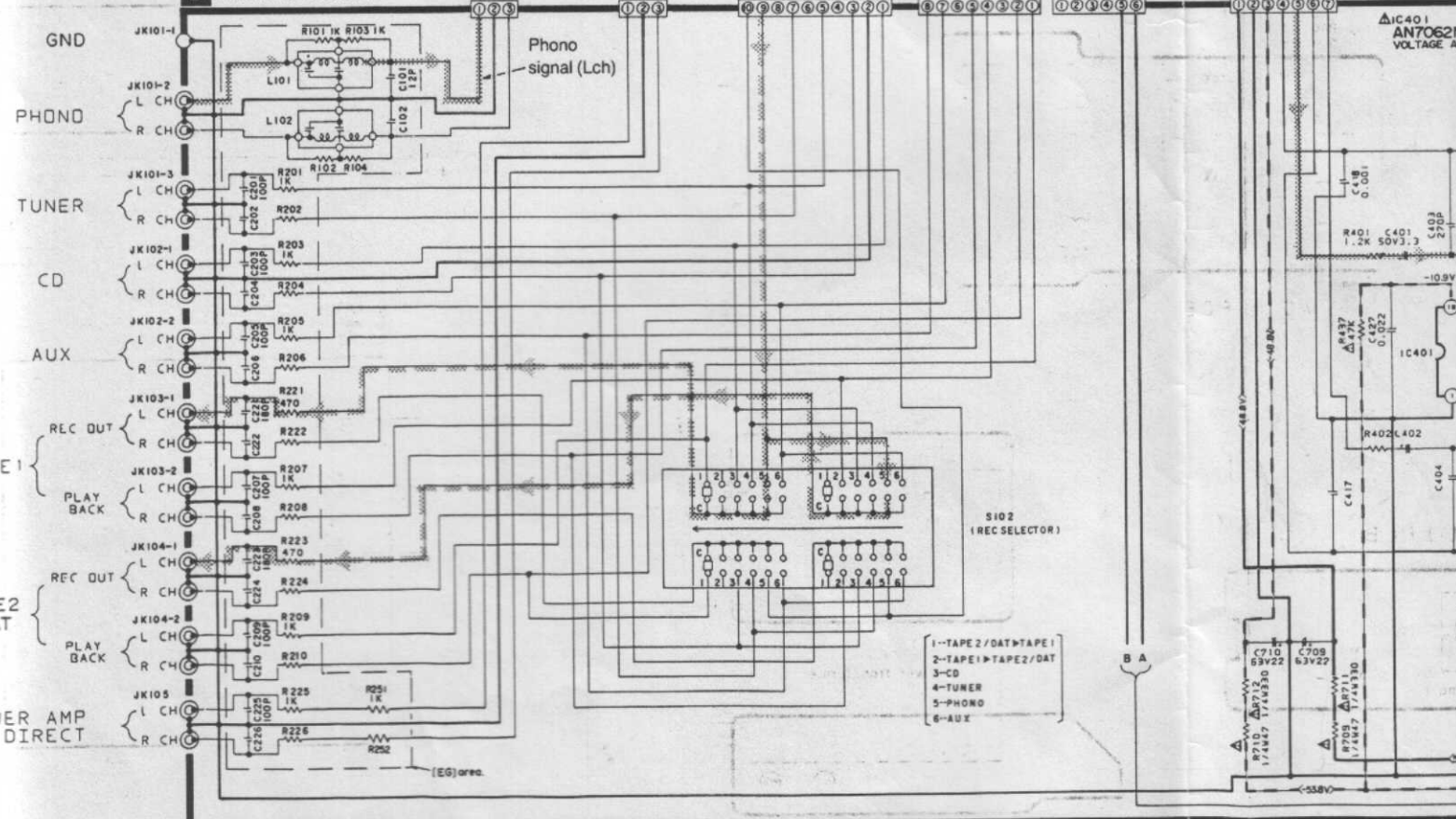


A PHONO EQ/TONE-AMP CIRCUIT

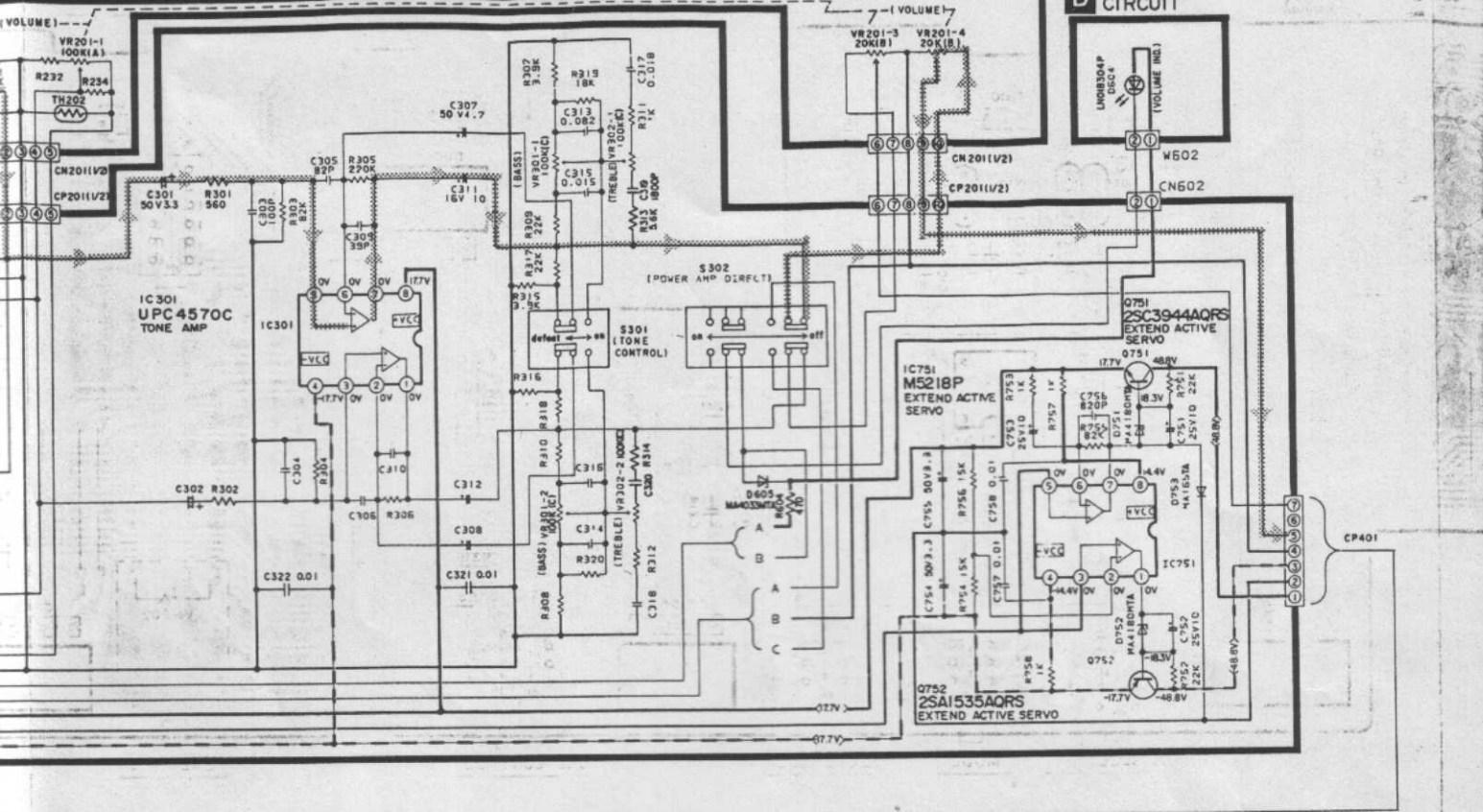
C VOLUME CIRCUIT



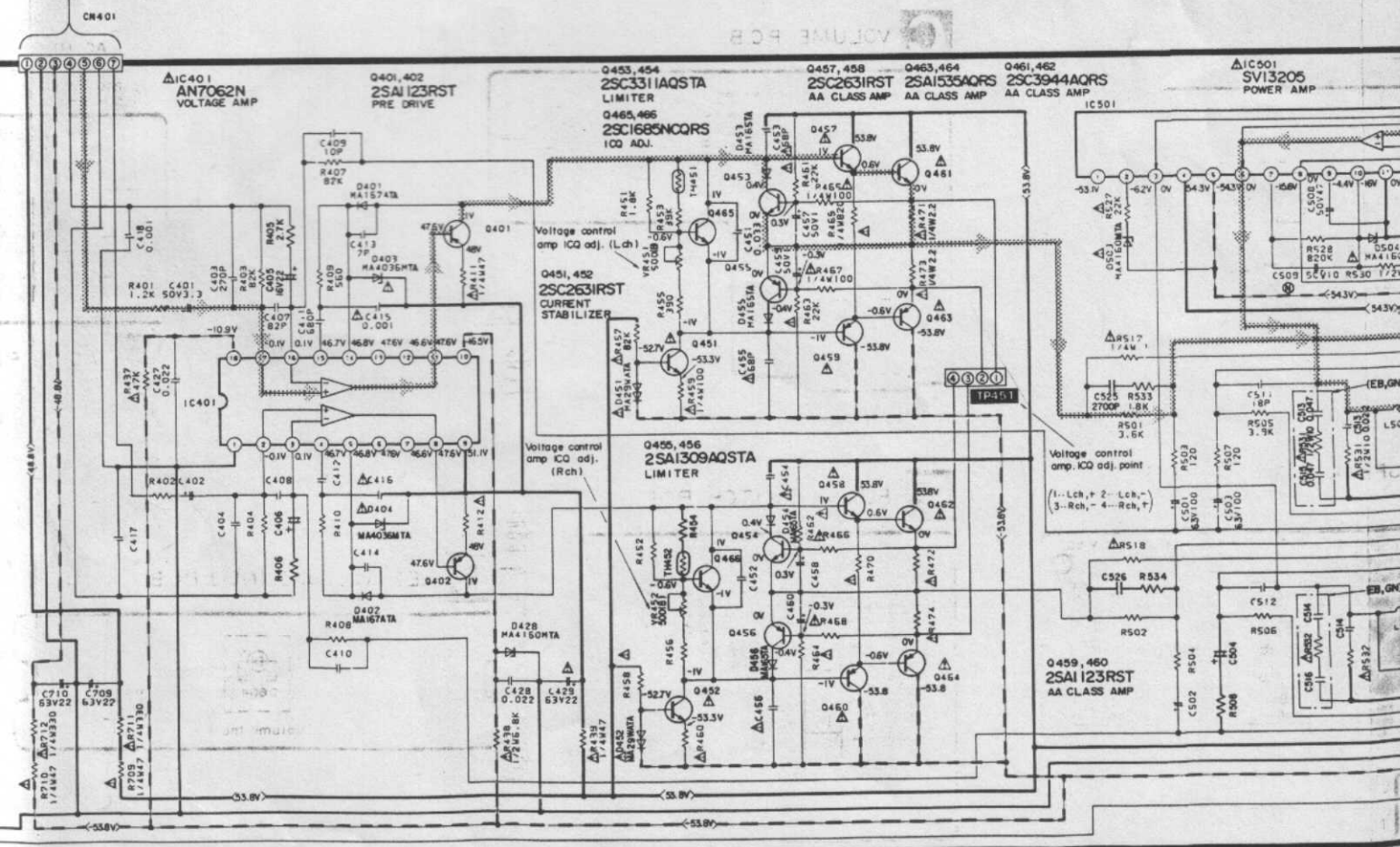
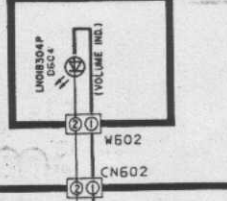
B MAIN CIRCUIT



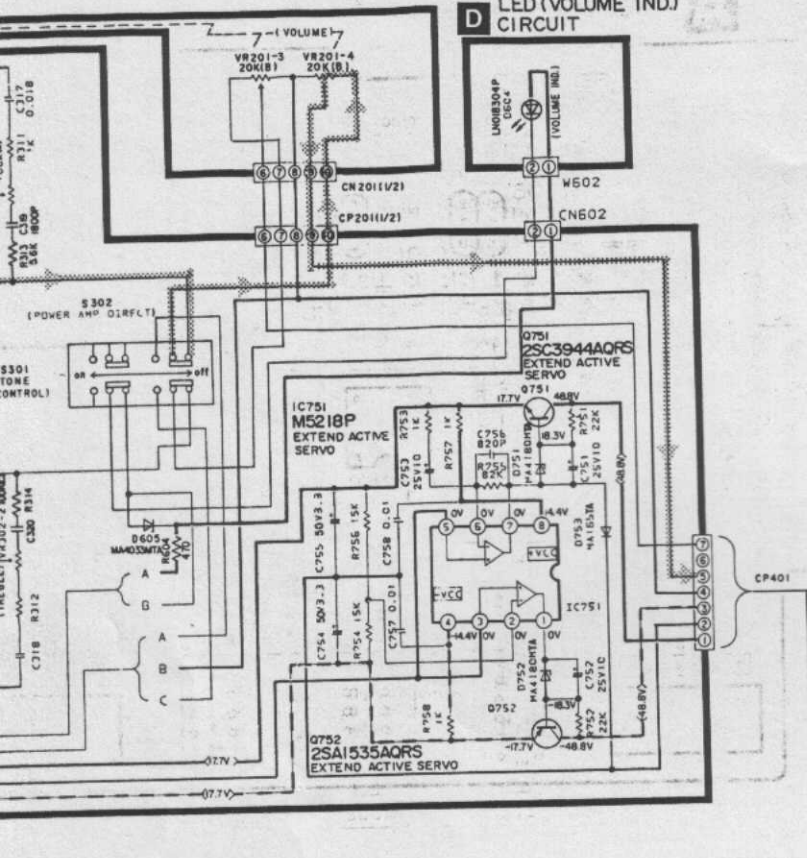
ME CIRCUIT



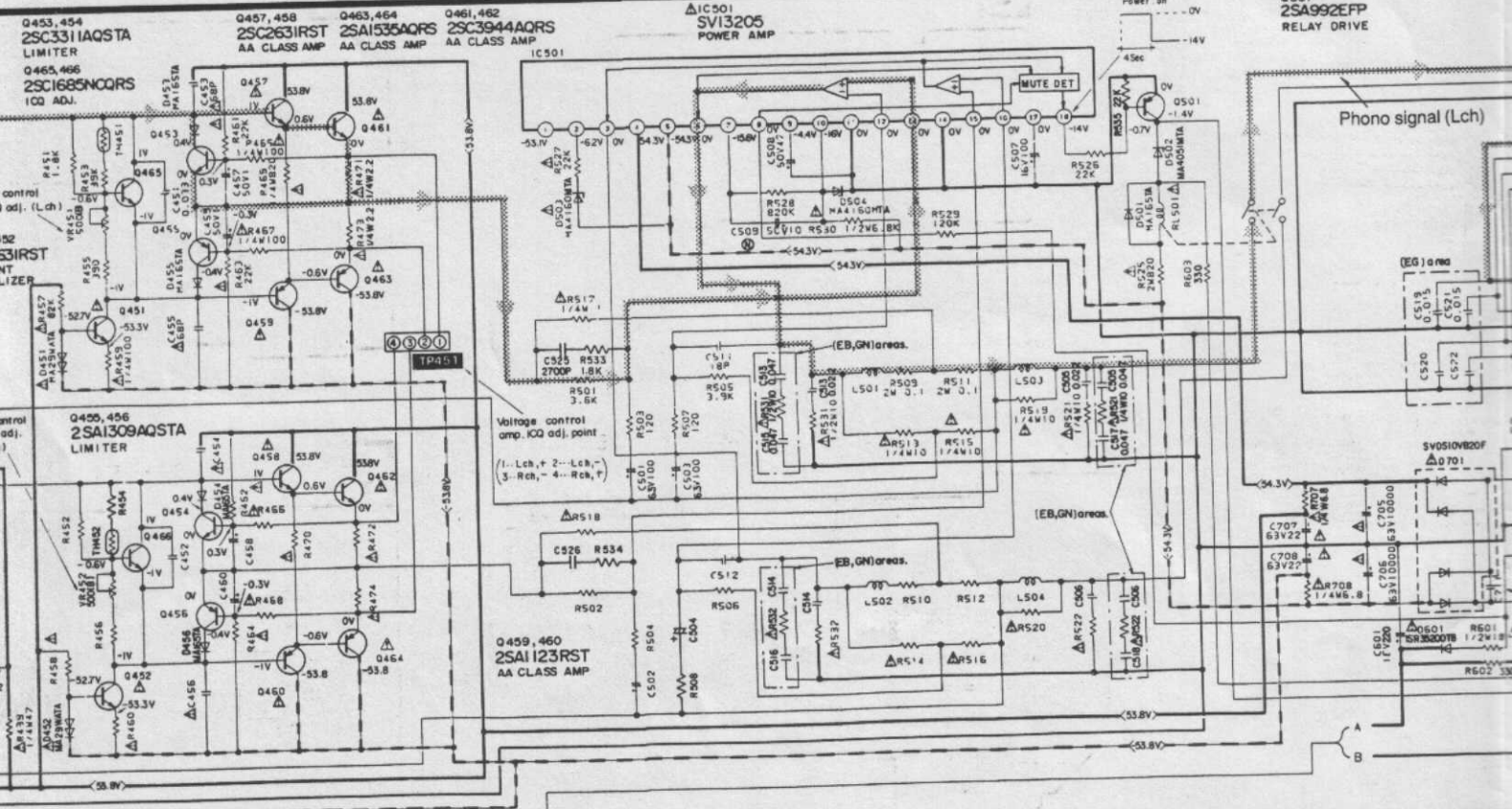
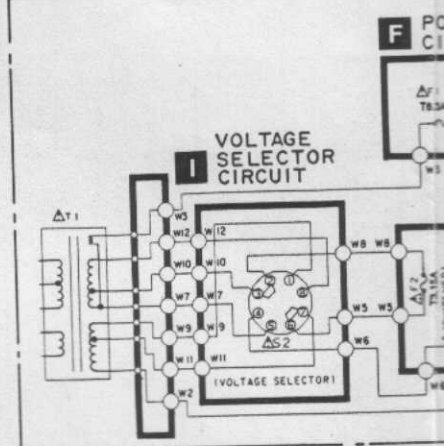
D LED (VOLUME IND.) CIRCUIT



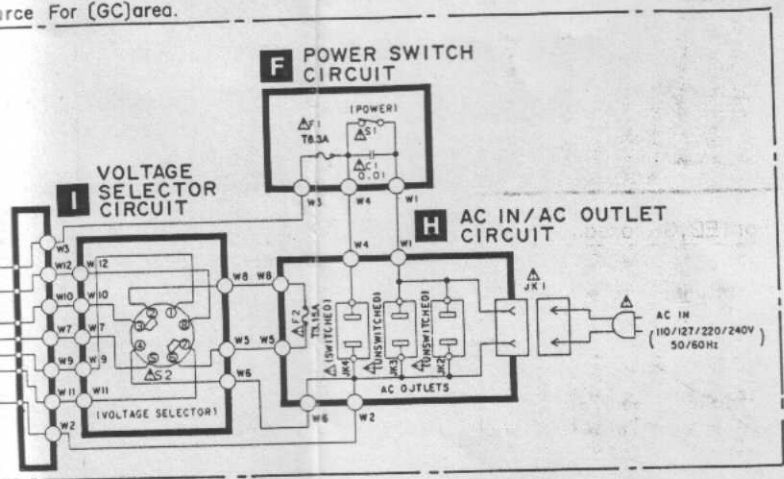
D LED (VOLUME IND.) CIRCUIT



Power Source For (GC) area.



Source For (GC)area.

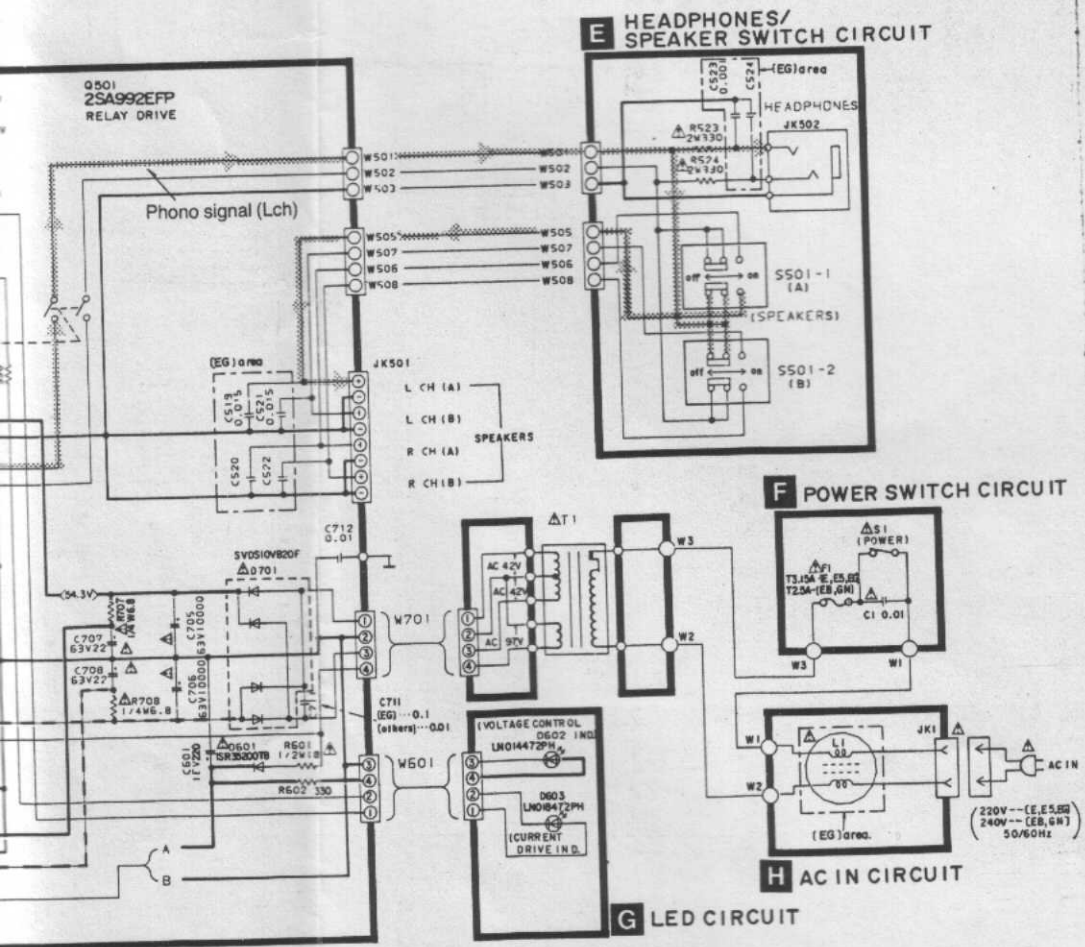
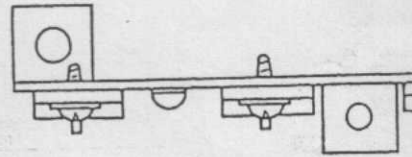


Control positions and equipment
 ● Volume knob.....∞ (Minimum)
 ● Main speaker selector.....C

VOLTAGE CONTROL (V) AMP. ADJUSTMENT

1. Test equipment connection is shown in EVM on both channels.)
2. Completely turn the (V) amp. adjusting counter-clockwise.
3. Turn ON the set when it is cold, and VR452 so that the voltage is 25V. Also, check that the voltage is 25V after lapse of 10-15 minutes. (Be 60 min.)

● Adjustment points Voltage control



TERMINAL GUIDE

