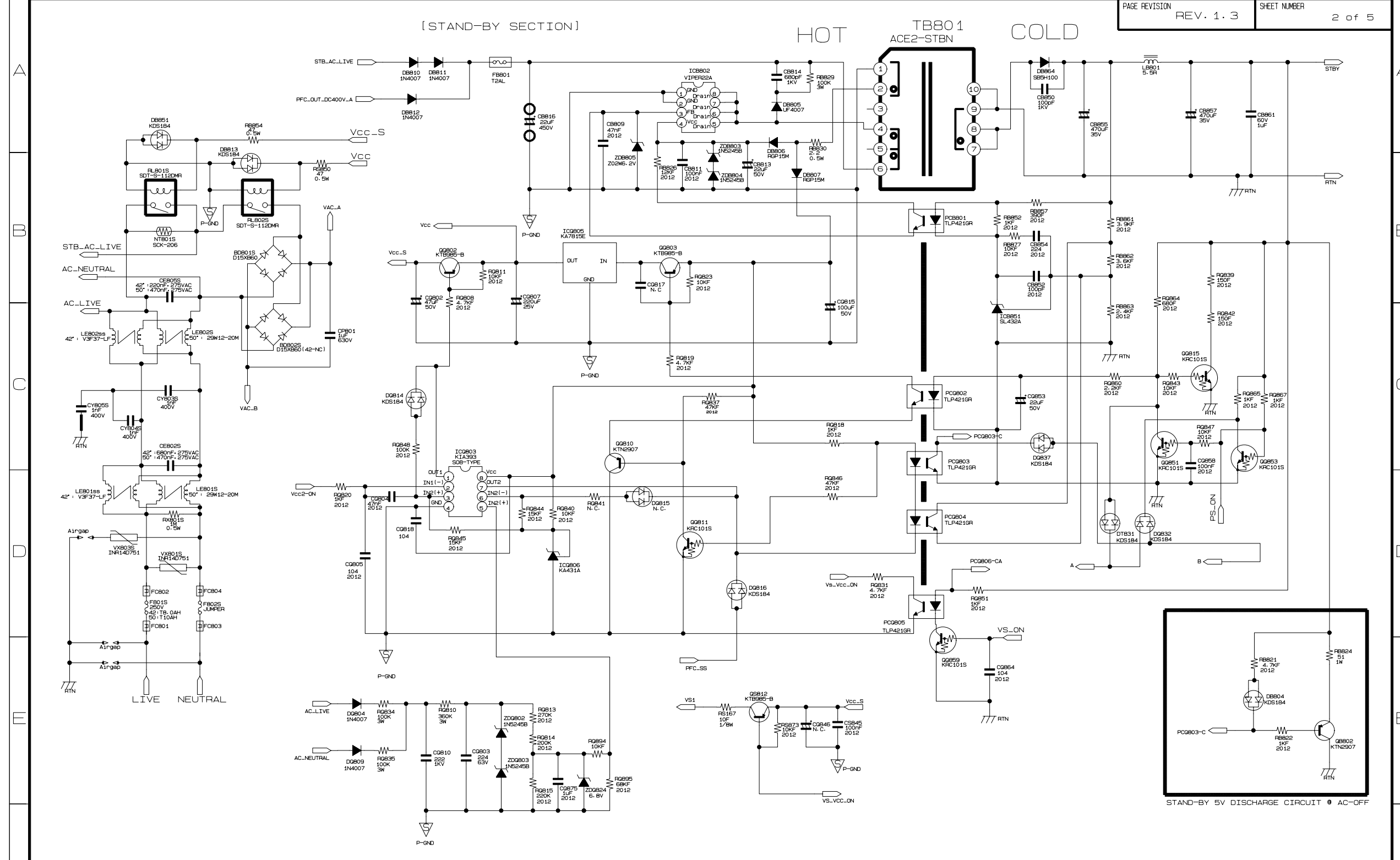


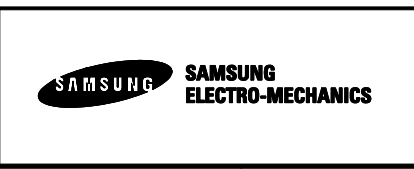
NOTE



| | | | | |
|------------|------------------------------|----------|------|------------|
| USER | SAMSUNG ELECTRONICS. CO. LTD | | DATE | 2007/10/25 |
| MODEL NAME | W2A | SCALE | A3 | DRAWN |
| PDM NUMBER | | REVISION | 1.3 | CHECKED |
| | | LEVEL | | APPROVED |



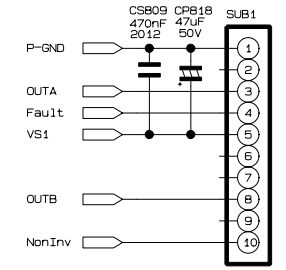
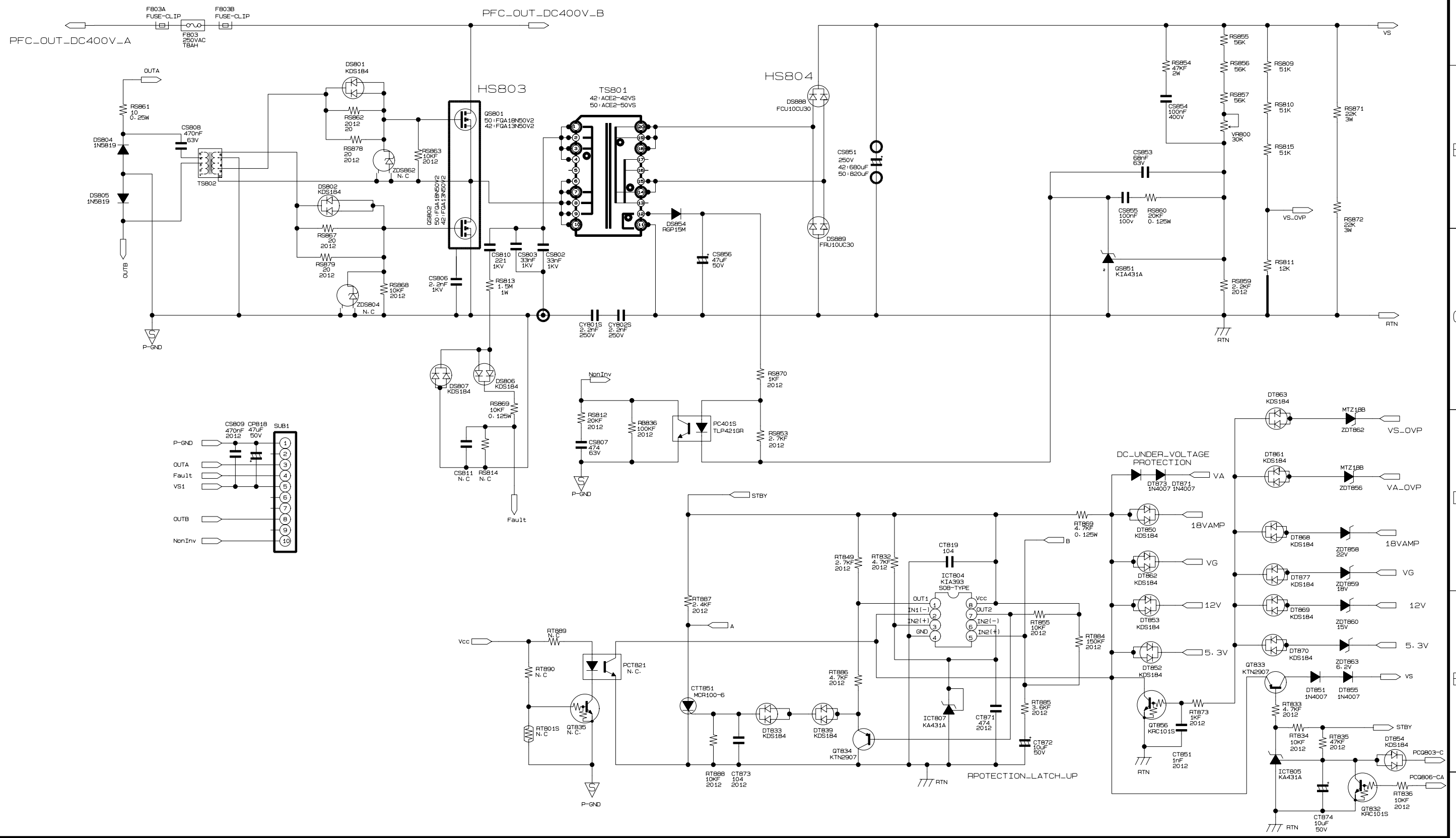
NOTE



| | | | | |
|------------|------------------------------|----------|------|------------|
| USER | SAMSUNG ELECTRONICS. CO. LTD | | DATE | 2007/10/25 |
| MODEL NAME | W2A | SCALE | A3 | DRAWN |
| PDN NUMBER | | REVISION | 1.3 | CHECKED |
| | | LEVEL | | APPROVED |

[VS SECTION]

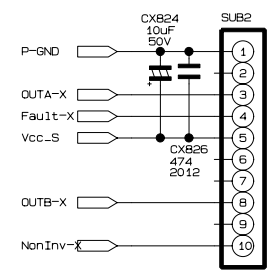
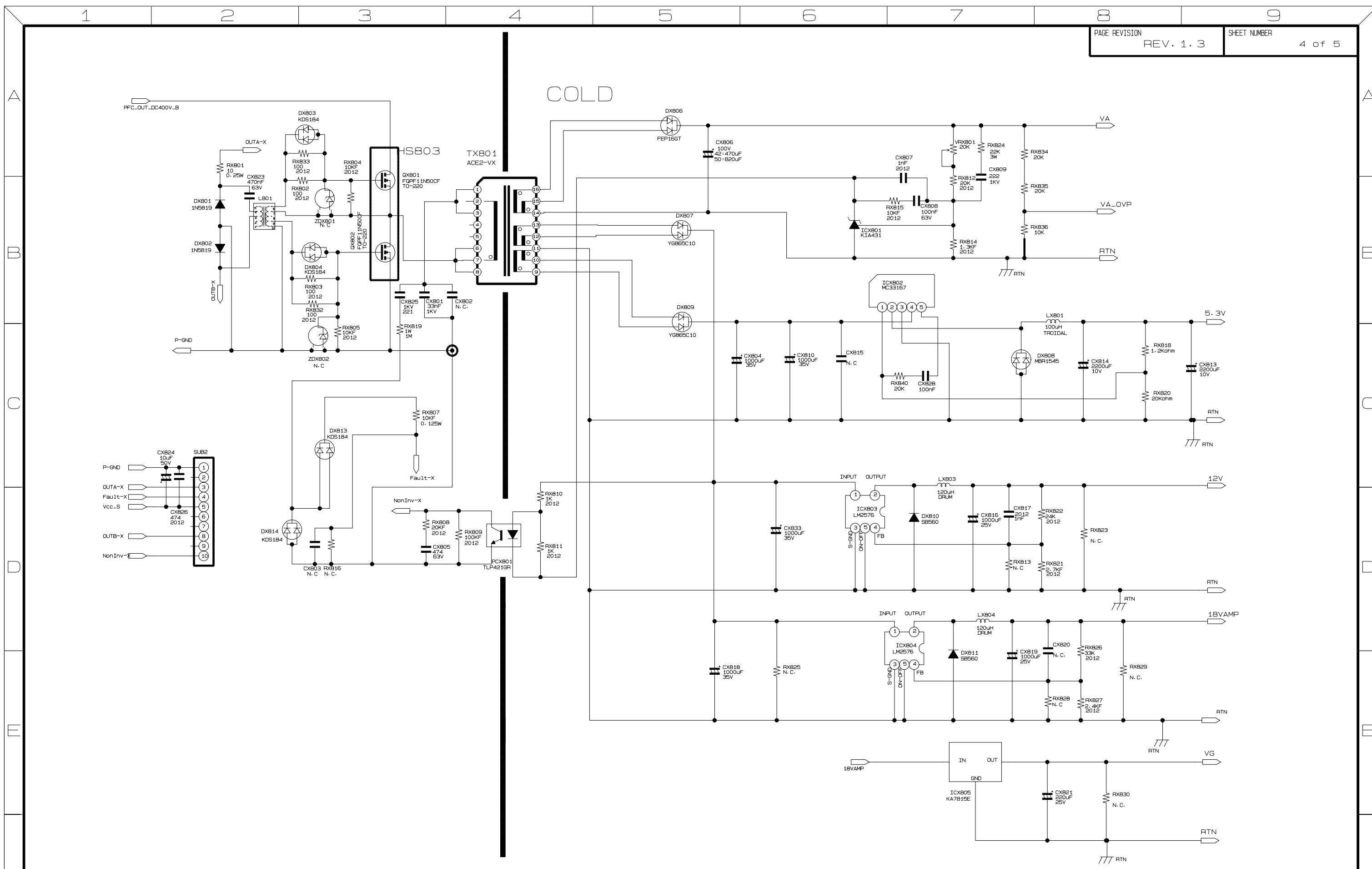
HOT COLD



NOTE



| | | | | |
|------------|------------------------------|--|----------|------------|
| USER | SAMSUNG ELECTRONICS. CO. LTD | | DATE | 2007/10/25 |
| MODEL NAME | W2A | | SCALE | A3 |
| PDM NUMBER | | | REVISION | 1.3 |
| | | | LEVEL | APPROVED |

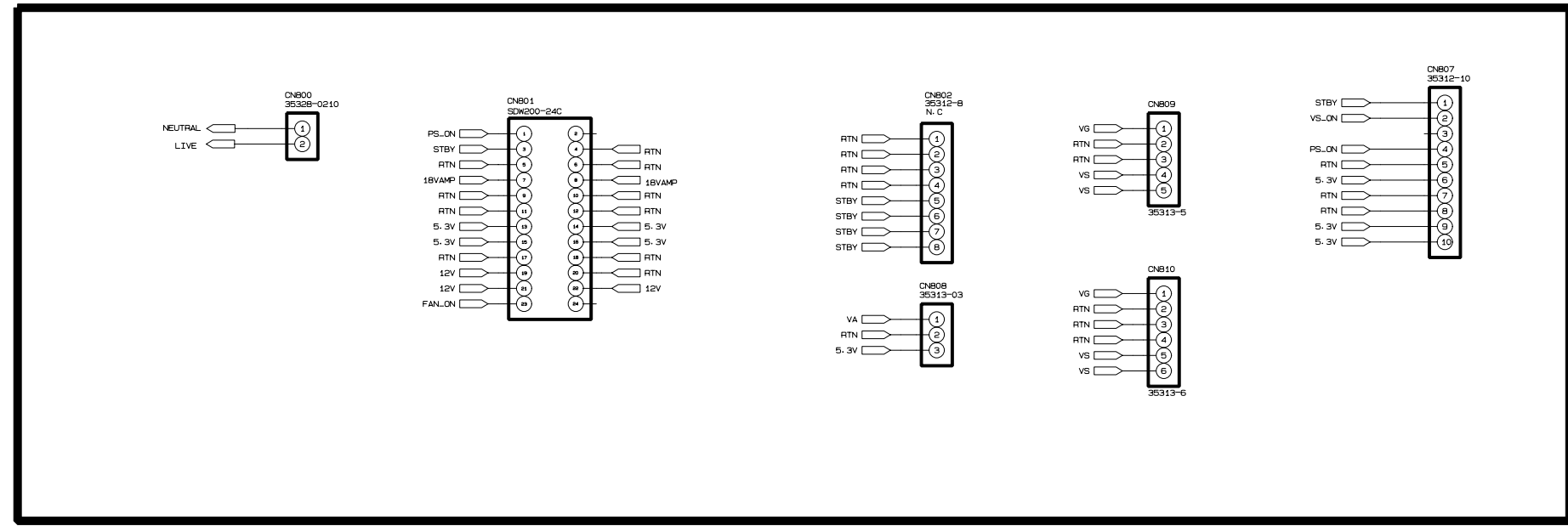


NOTE



| | | | | | |
|------------|------------------------------|----------|------|------------|---------|
| USER | SAMSUNG ELECTRONICS. CO. LTD | | DATE | 2007/10/25 | |
| MODEL NAME | W2A | SCALE | A3 | DRAWN | S. Y. S |
| PDM NUMBER | | REVISION | 1.3 | CHECKED | |
| | | LEVEL | | APPROVED | |

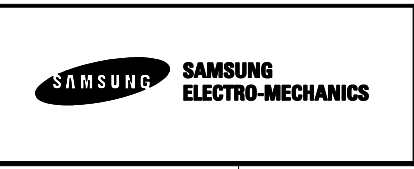
[CONNECTOR INFORMATION]



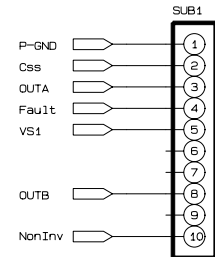
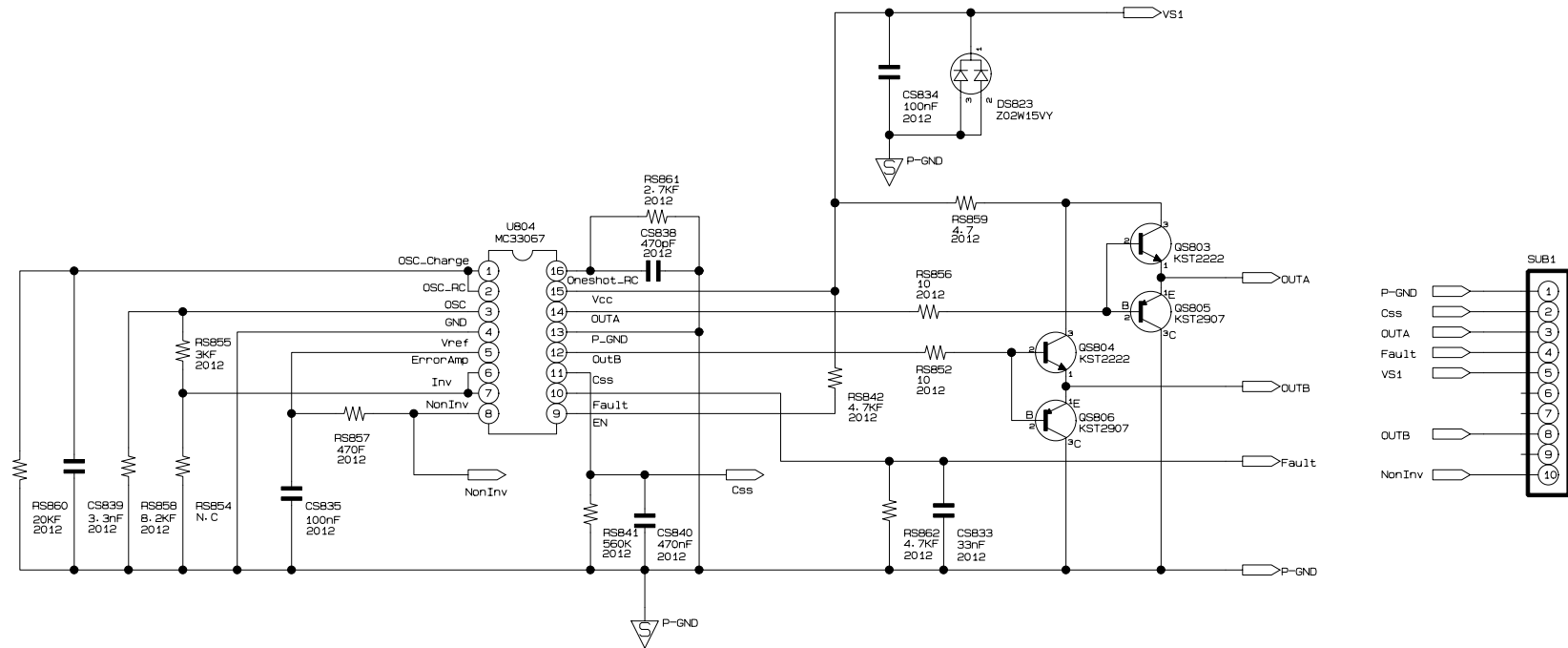
The rule of Loc. No.

- STBY : -B (ex. RBXXX, CBXXX)
- PFC : -P (ex. RPXXX, CPXXX)
- Vs : -S (ex. RSXXX, CSXXX)
- Vx : -X (ex. RXXXX, CXXXX)
- Sequence : -Q (ex. RQXXX, CQXXX)
- Protection : -T (ex. RTXXX, CTXXX)
- EMI : -E (ex. REXXX, CEXXX)

NOTE



| | | | | |
|------------|------------------------------|----------|------|------------|
| USER | SAMSUNG ELECTRONICS. CO. LTD | | DATE | 2007/10/25 |
| MODEL NAME | W2A | SCALE | A3 | DRAWN |
| PDM NUMBER | | REVISION | 1.3 | CHECKED |
| | | LEVEL | | APPROVED |



NOTE



| | | | | |
|------------|------------------------------|-----|----------|----------|
| USER | SAMSUNG ELECTRONICS. CO. LTD | | DATE | 06/12/05 |
| MODEL NAME | W2A SUB | | SCALE | A3 |
| PDM NUMBER | REVISION | 2.0 | CHECKED | K. J. S |
| | LEVEL | | APPROVED | |