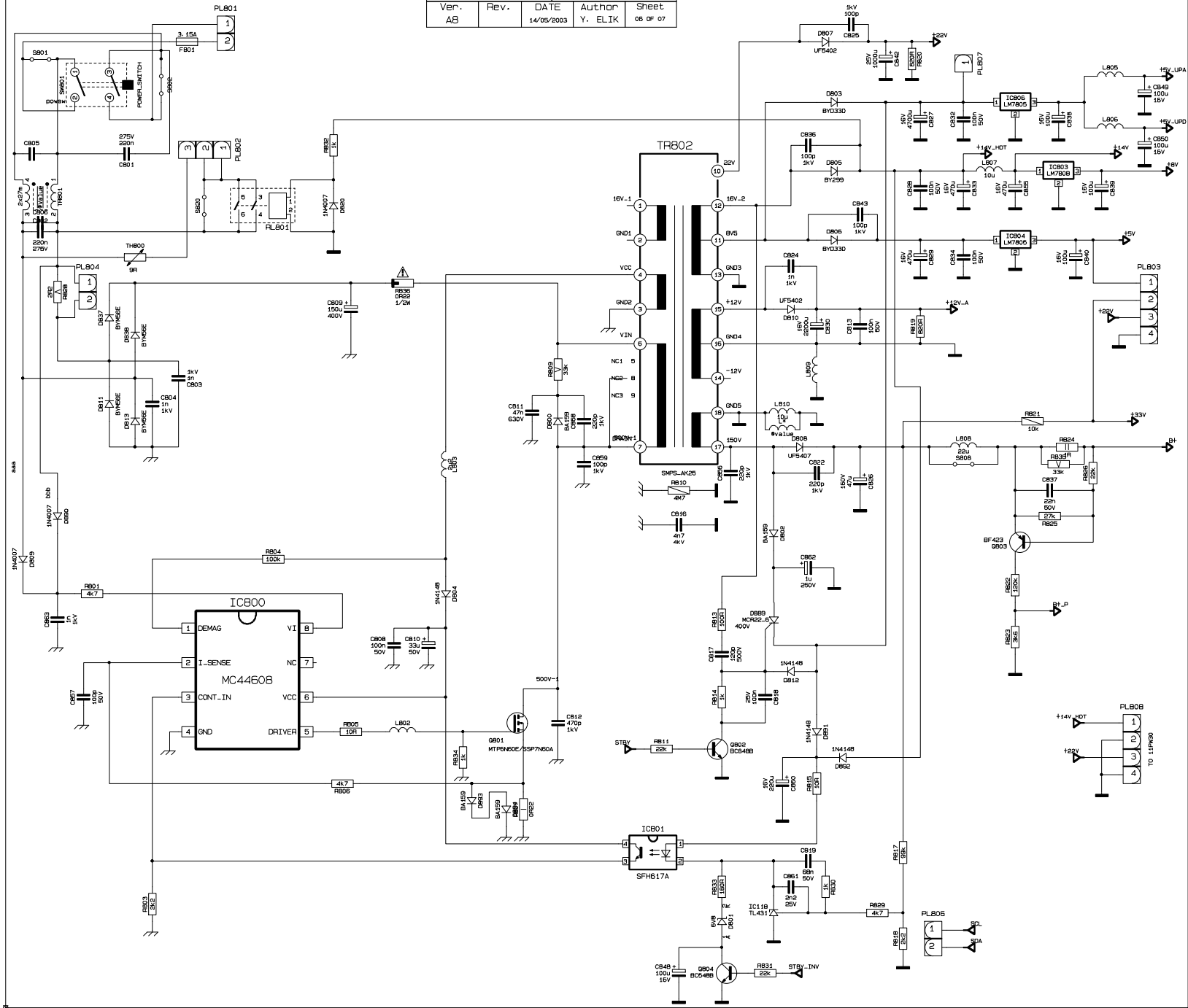


| VESTEL ELECTRONICS TV R&D GROUP |      |                 |                |                |
|---------------------------------|------|-----------------|----------------|----------------|
| 11AK30                          |      | SMPS            |                |                |
| Ver. AB                         | Rev. | DATE 14/05/2003 | Author Y. ELIK | Sheet 06 OF 07 |



- 220VAC
- SNT1039, SNT1245, SNT1062, SNT1252, SNT1061, SNT1261, SNT1269, SNT951, SNT1026, SNT981

- 320VDC
- SNT1199, SNT1269

- 500V
- SNT1065, SNT1016

- 150V
- SNT1011, SNT1064, SNT1063, SNT1197

- SNT789 200V
- SNT962 60V
- SNT796 45V
- SNT778 100V
- SNT996 500V