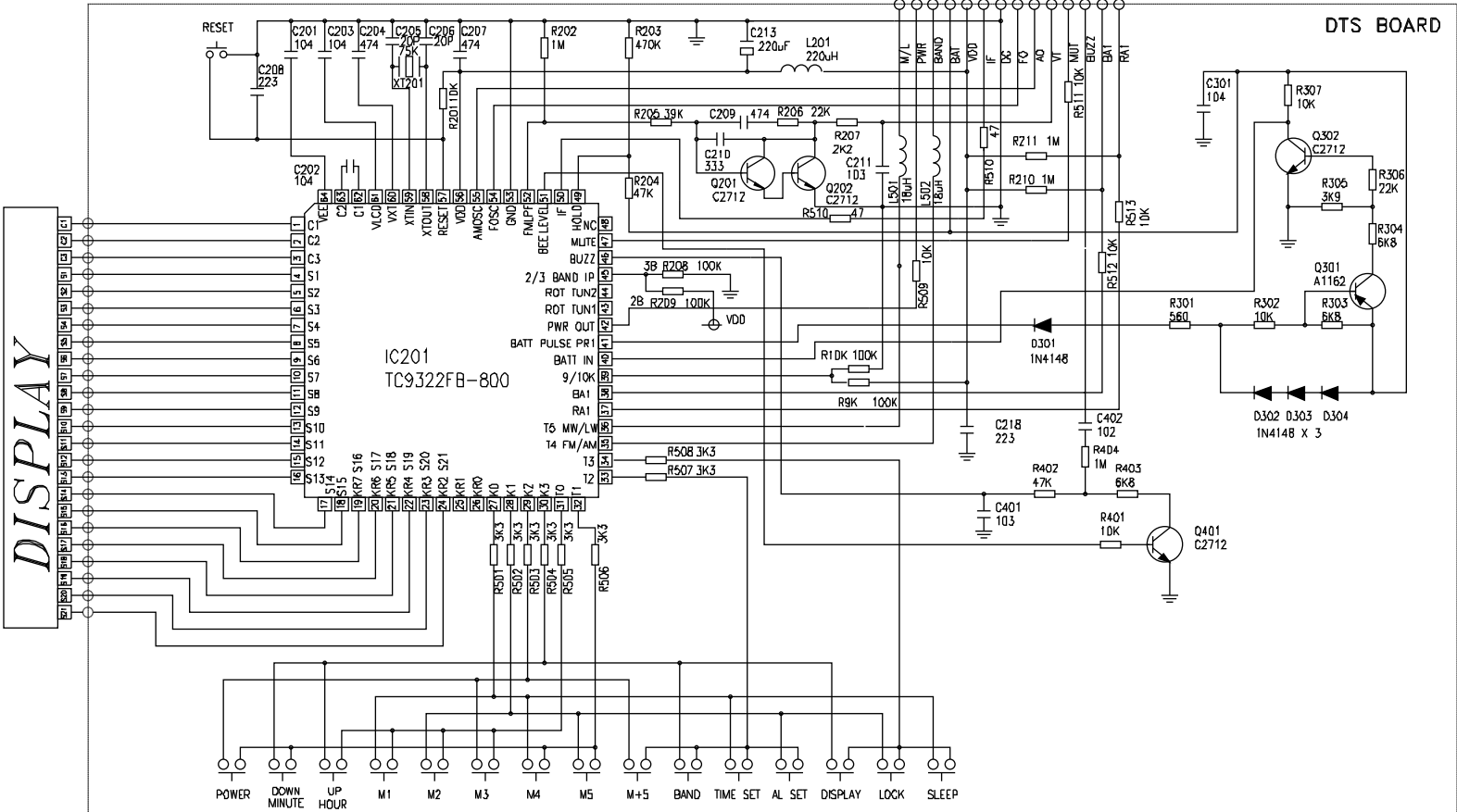


MAIN BOARD



DTS BOARD

AE-2380
CIRCUIT DIAGRAM
REV07