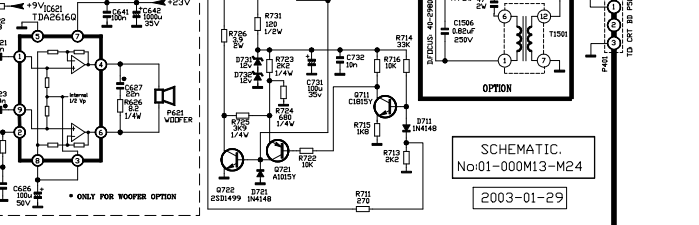
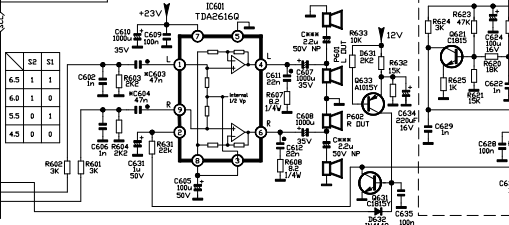
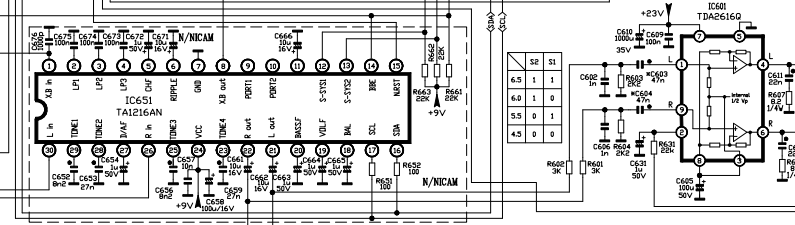
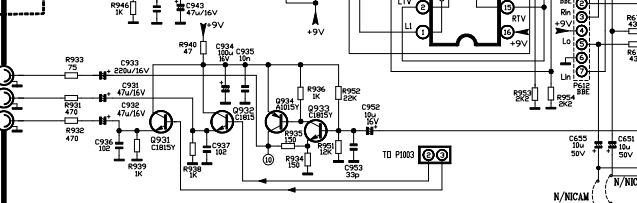
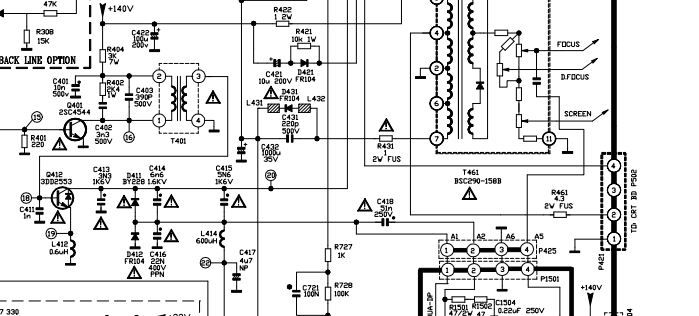
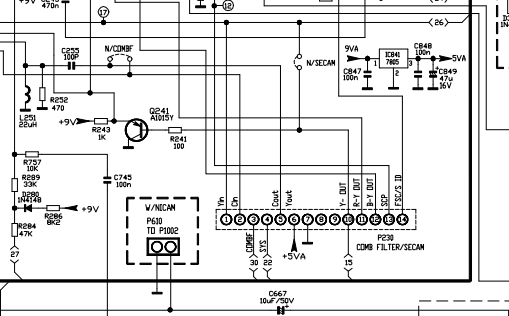
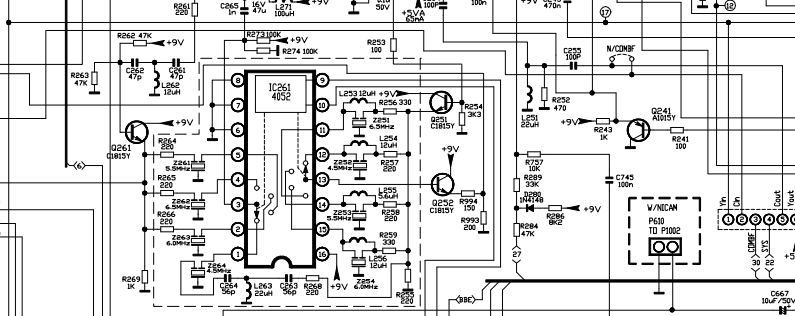
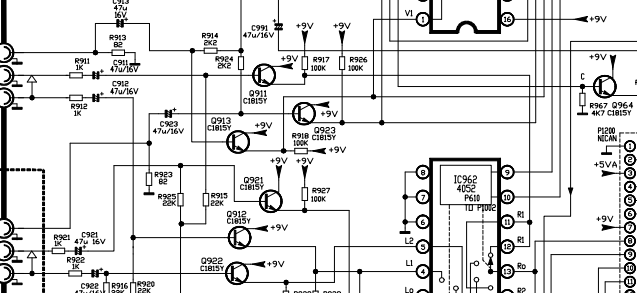
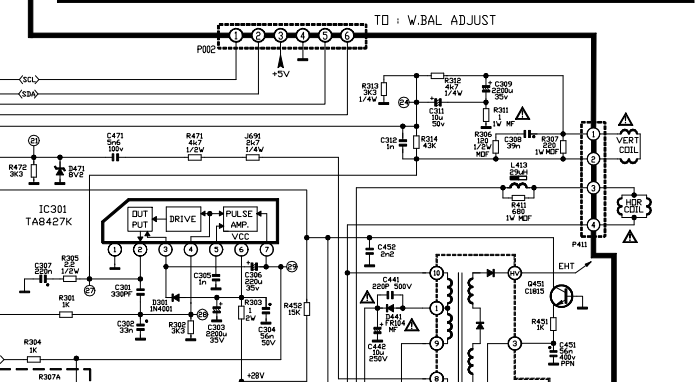
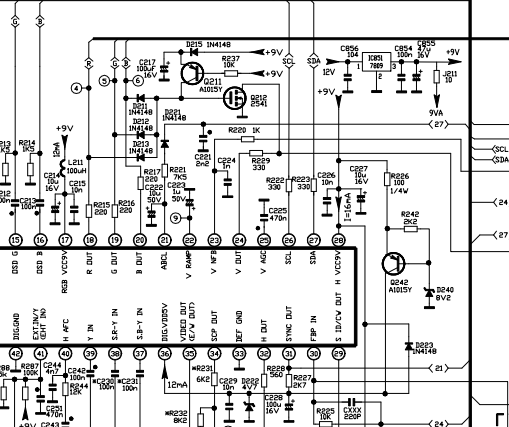
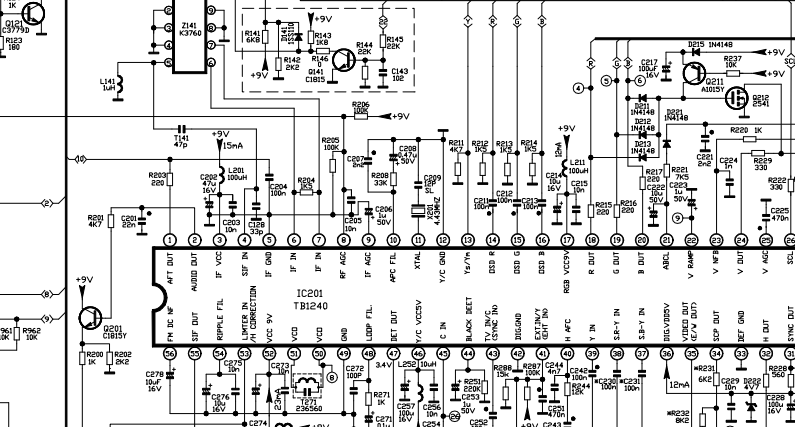
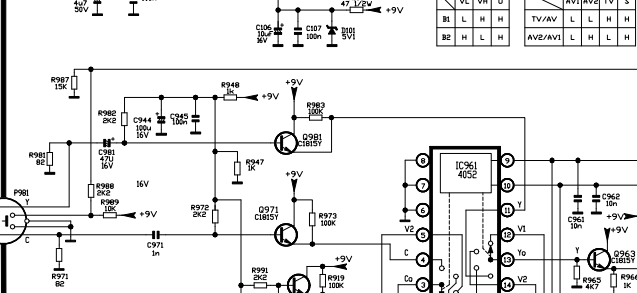
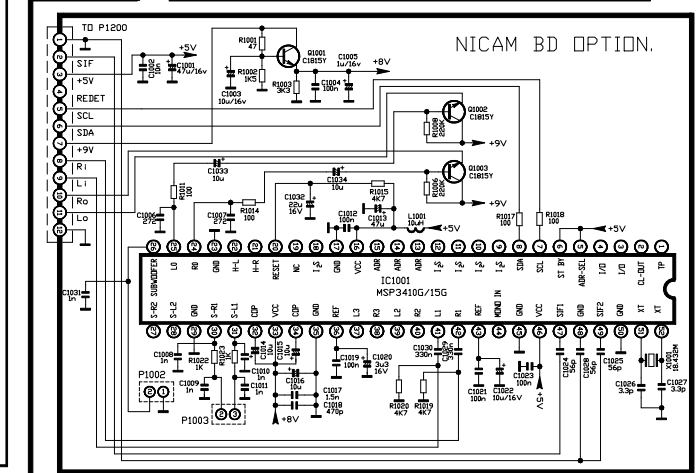
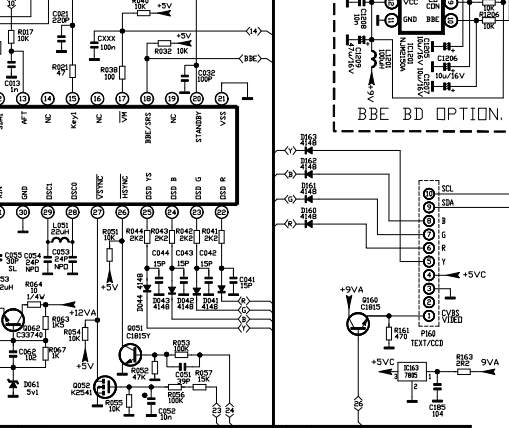
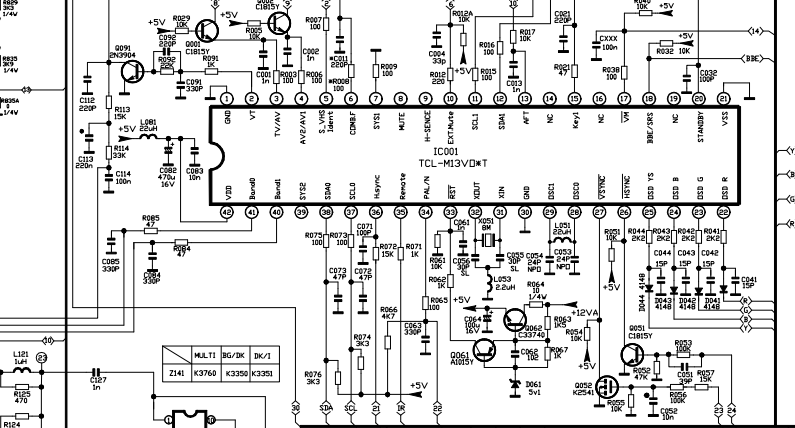
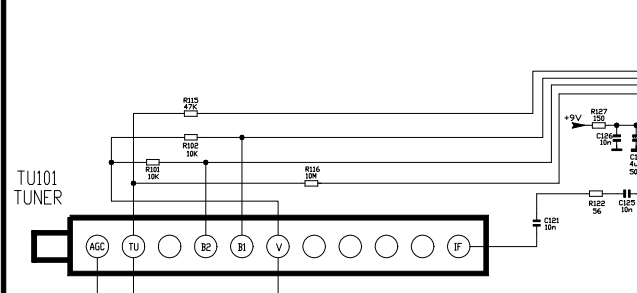
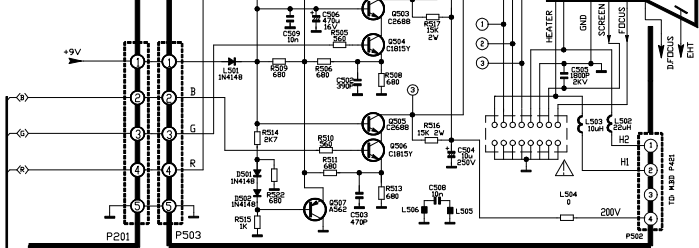
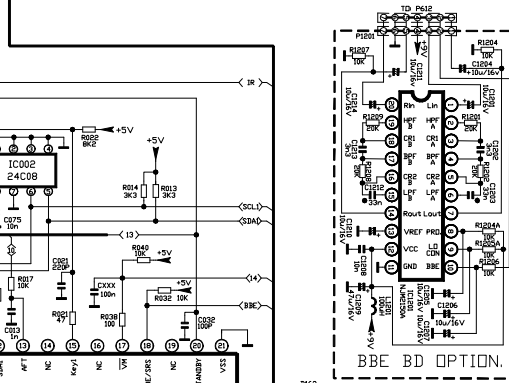
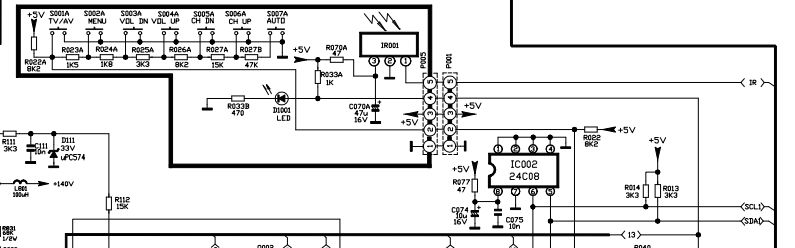
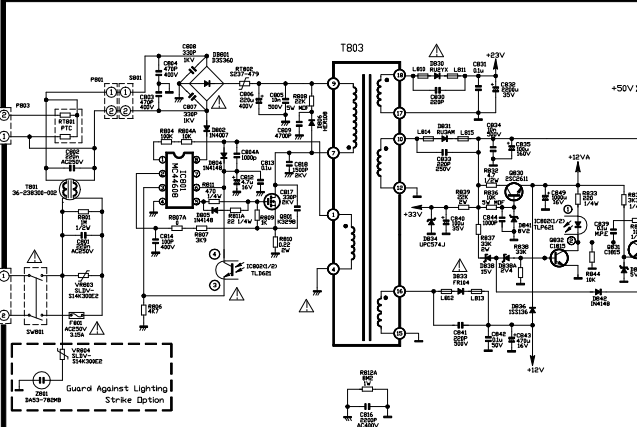
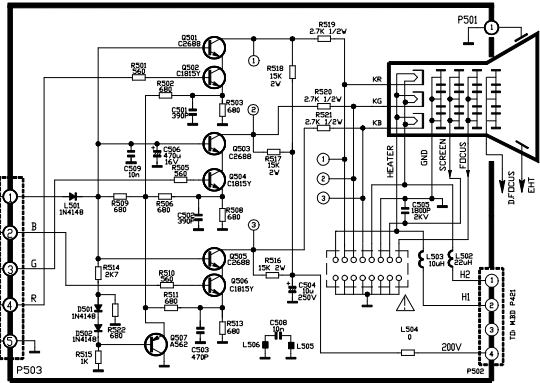
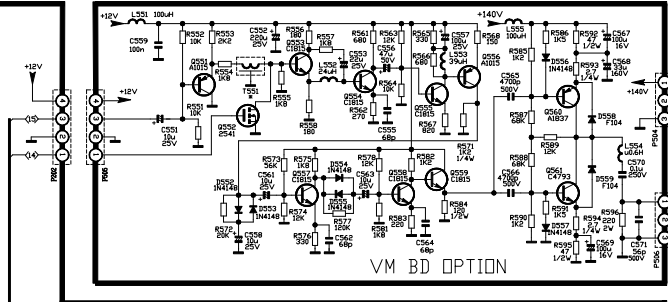
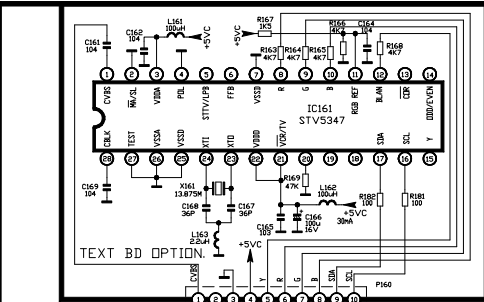
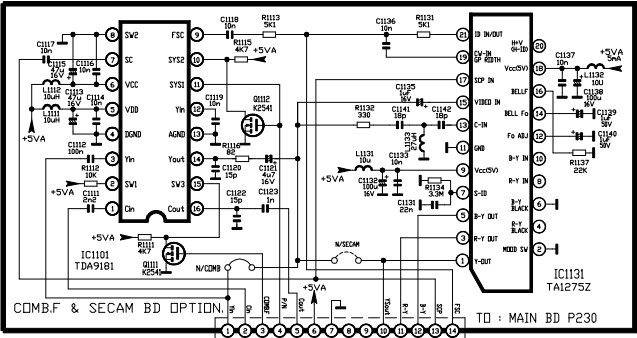


THE COMPONENT MARKED Δ CONFORM TO VDE OR IEC GUIDE-LINES AND ARE ESSENTIAL FOR SAFE OPERATION OF THE TV RECEIVER. WHILE THOSE MARKED ∇ ARE REQUIRED FOR CORRECT OPERATION. USE SPECIFIED PARTS ONLY WHEN REPLACING.



SCHEMATIC No.01-000M13-M24 2003-01-29

