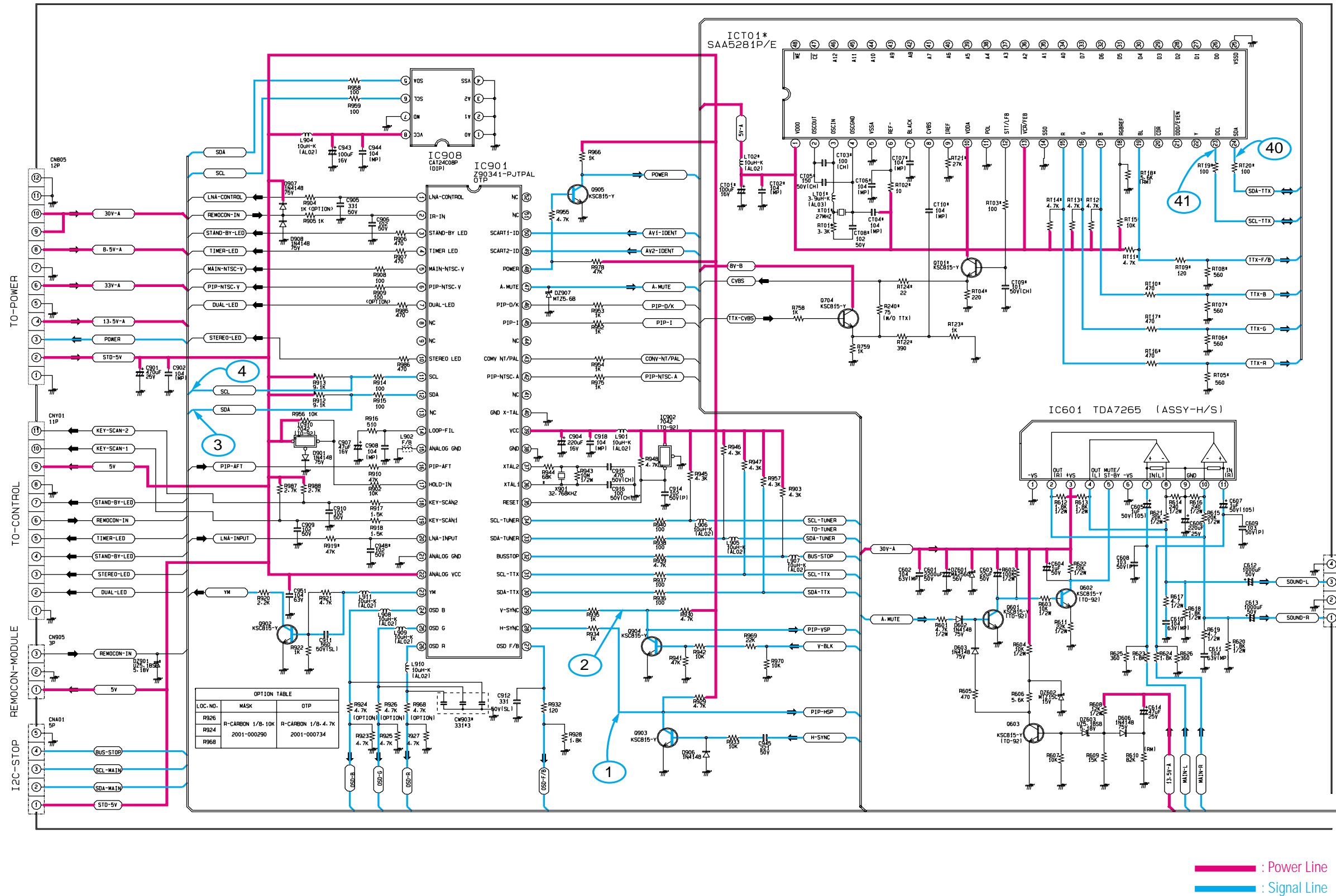
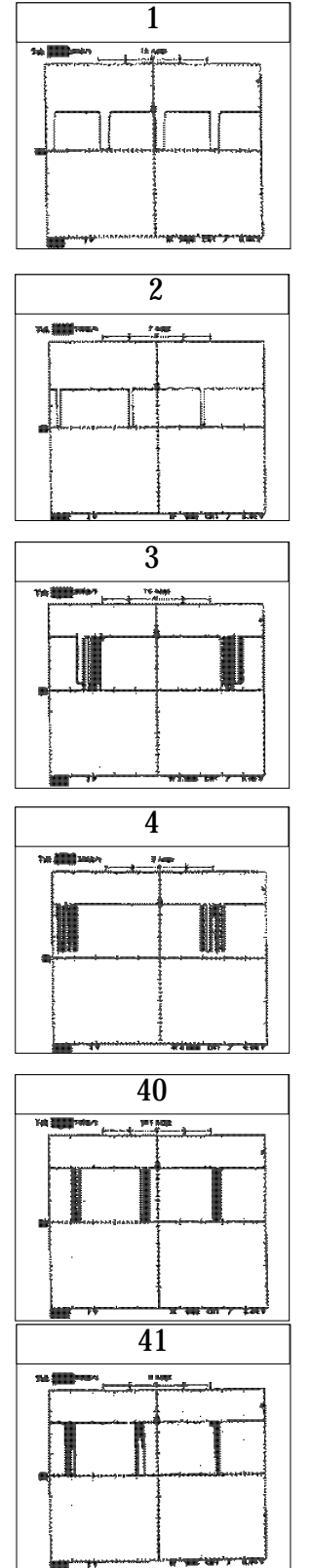


12. Schematic Diagrams

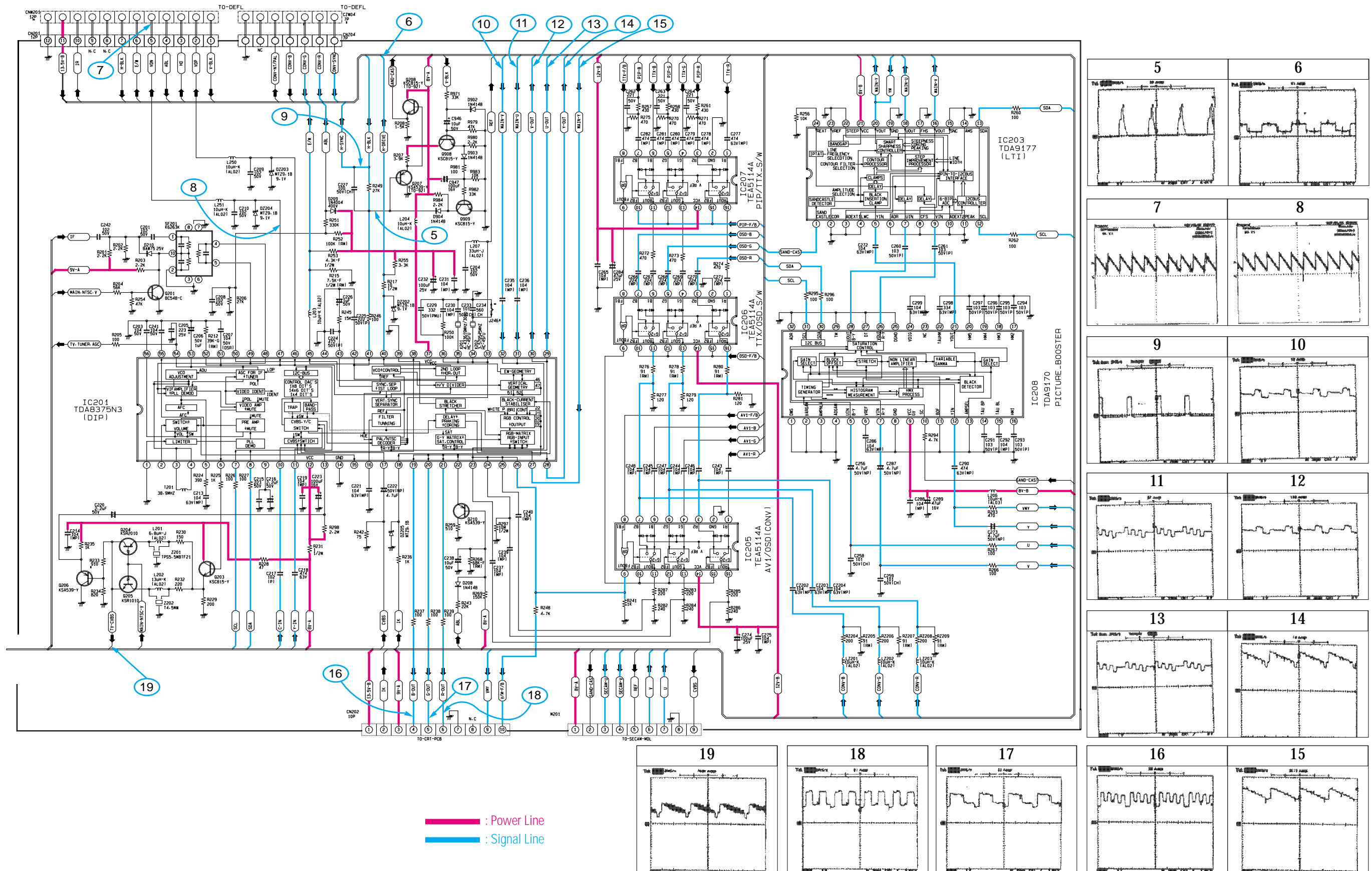
12-1 MAIN 1



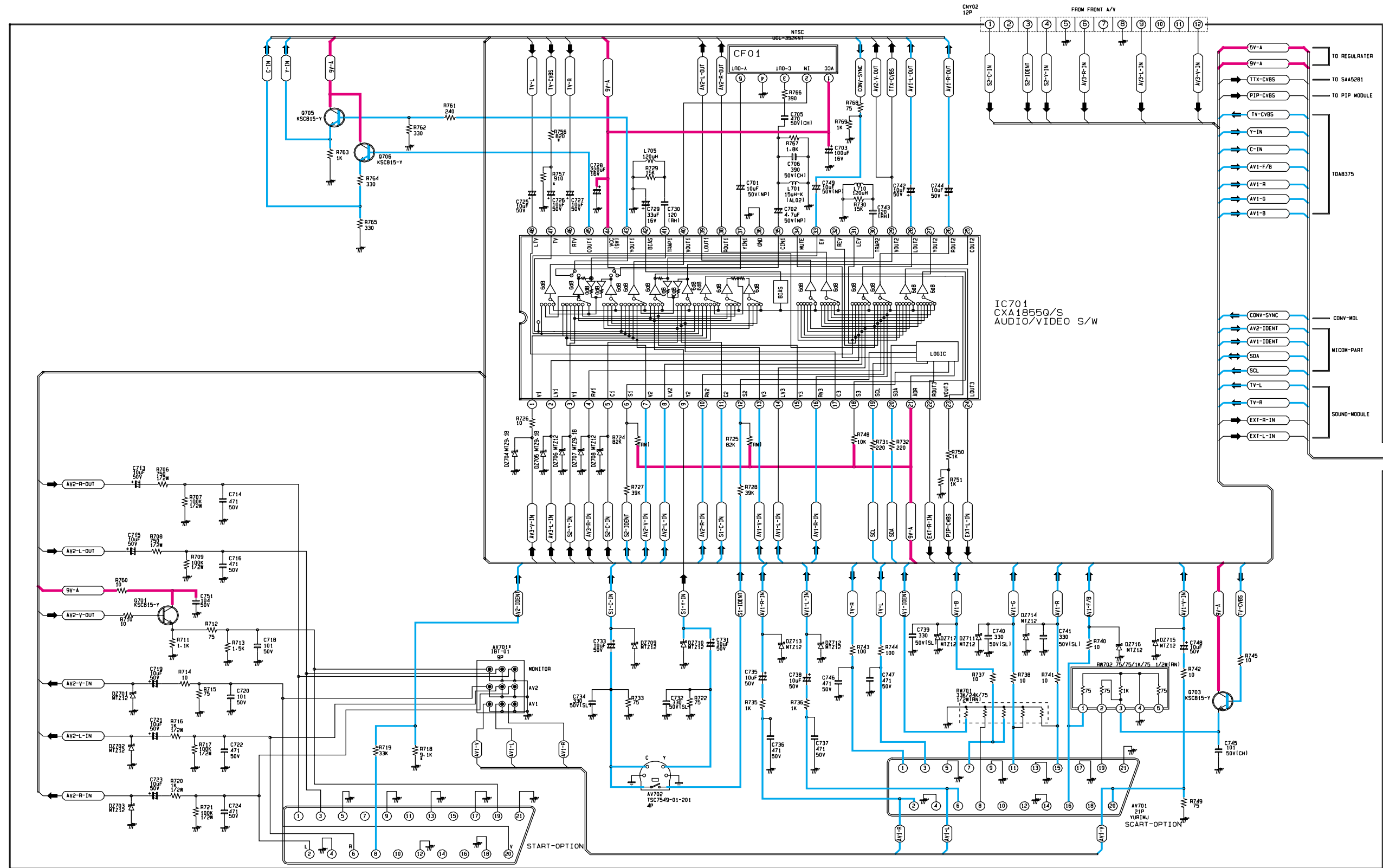
OPTION TABLE		
LOC. NO.	MASK	OTP
R926	R-CARBON 1/8-10K	R-CARBON 1/8-4.7K
R924	2001-000290	2001-000734
R968		



12-2 MAIN 2

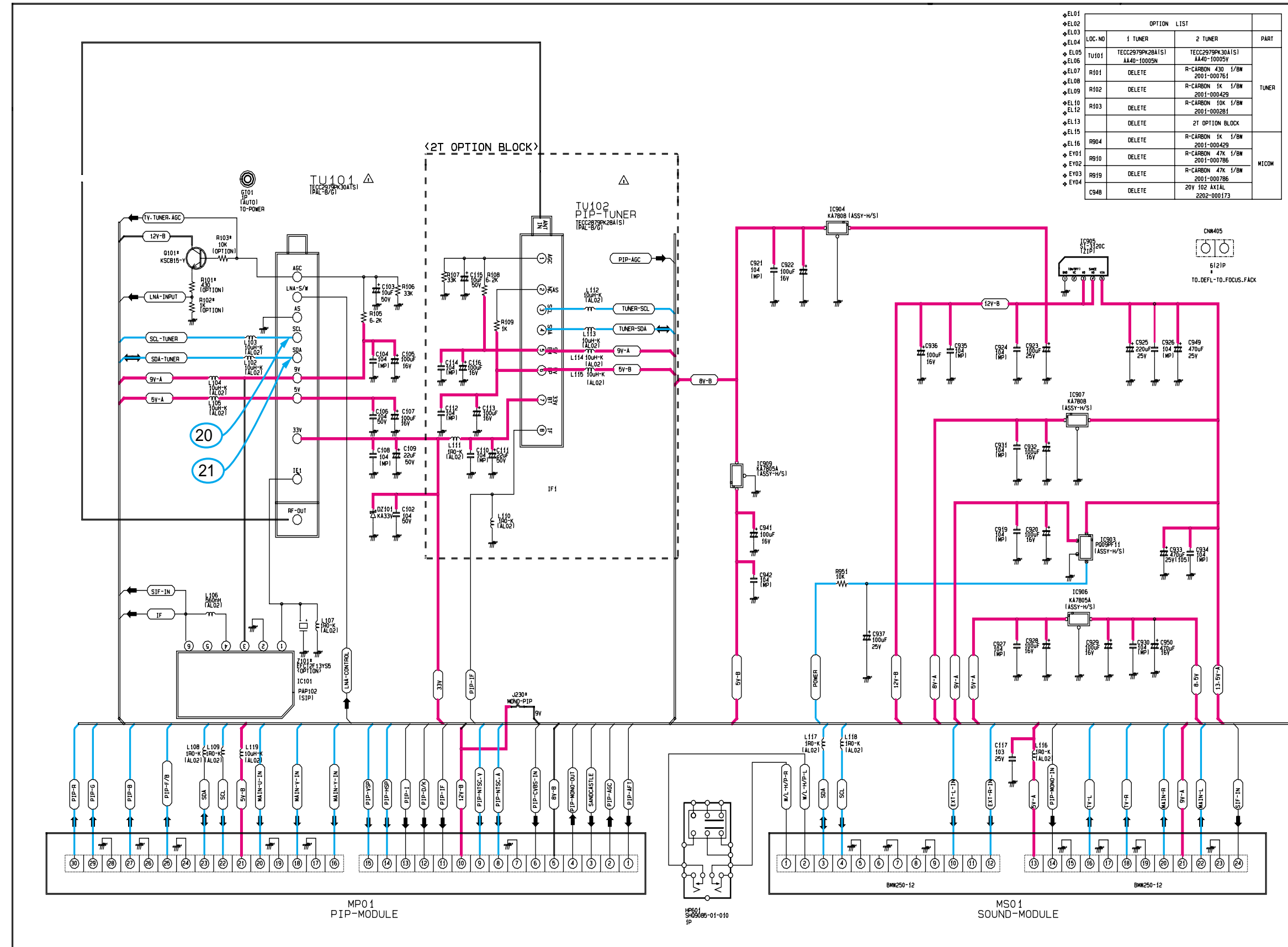


12-3 MAIN 3



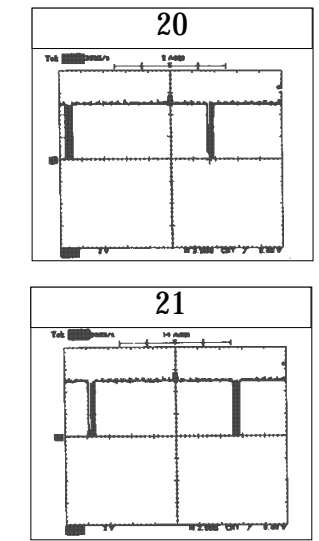
— : Power Line
— : Signal Line

12-4 MAIN 4

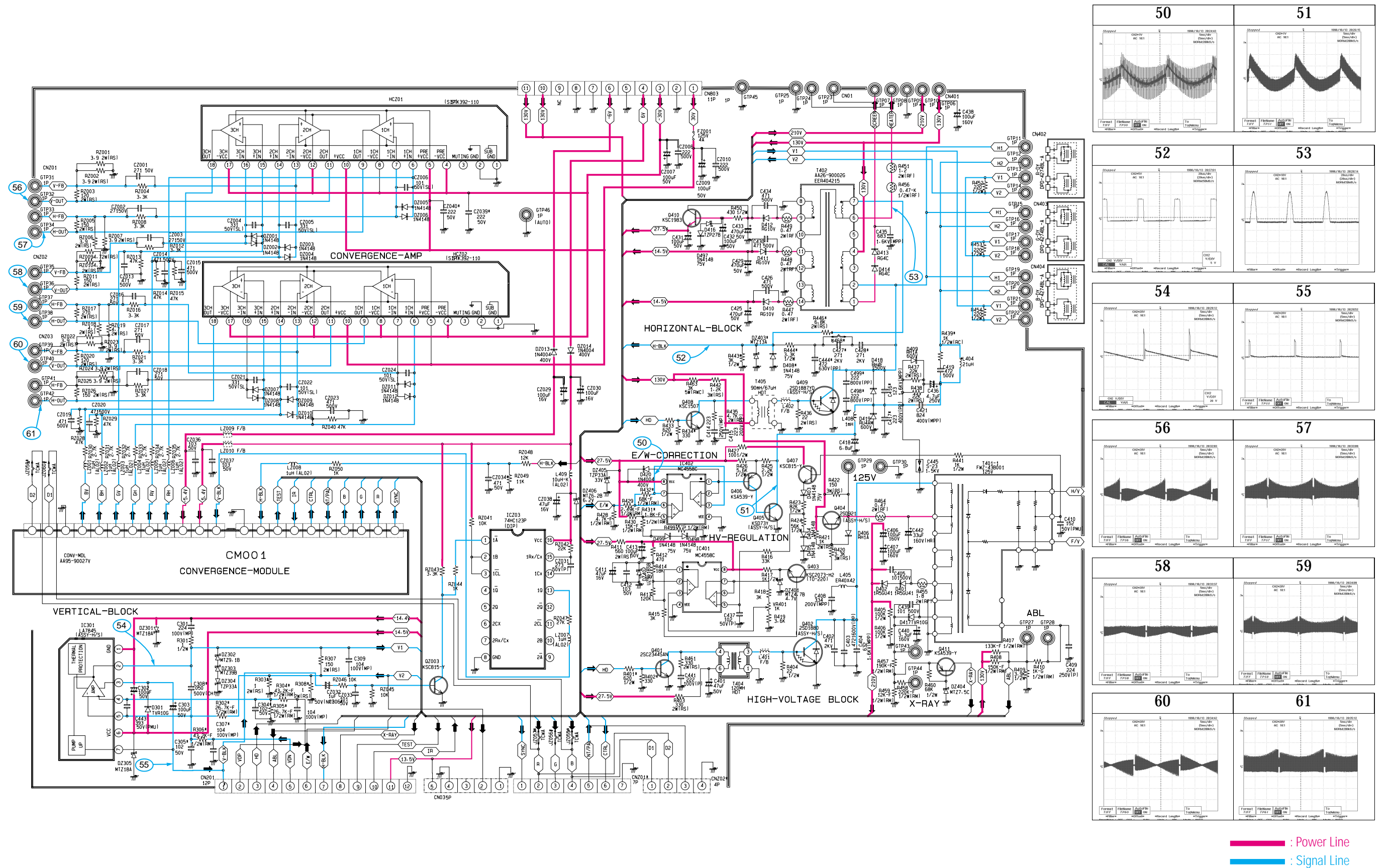


OPTION LIST

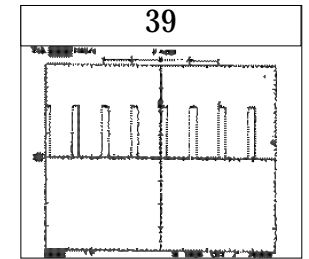
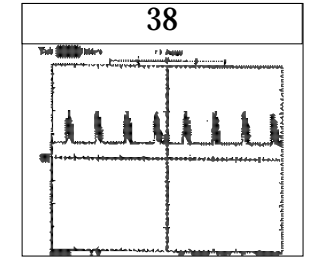
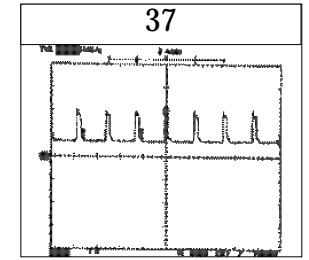
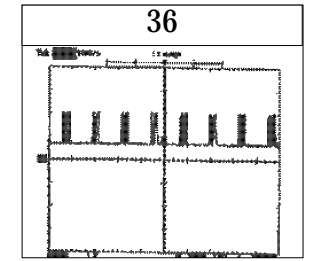
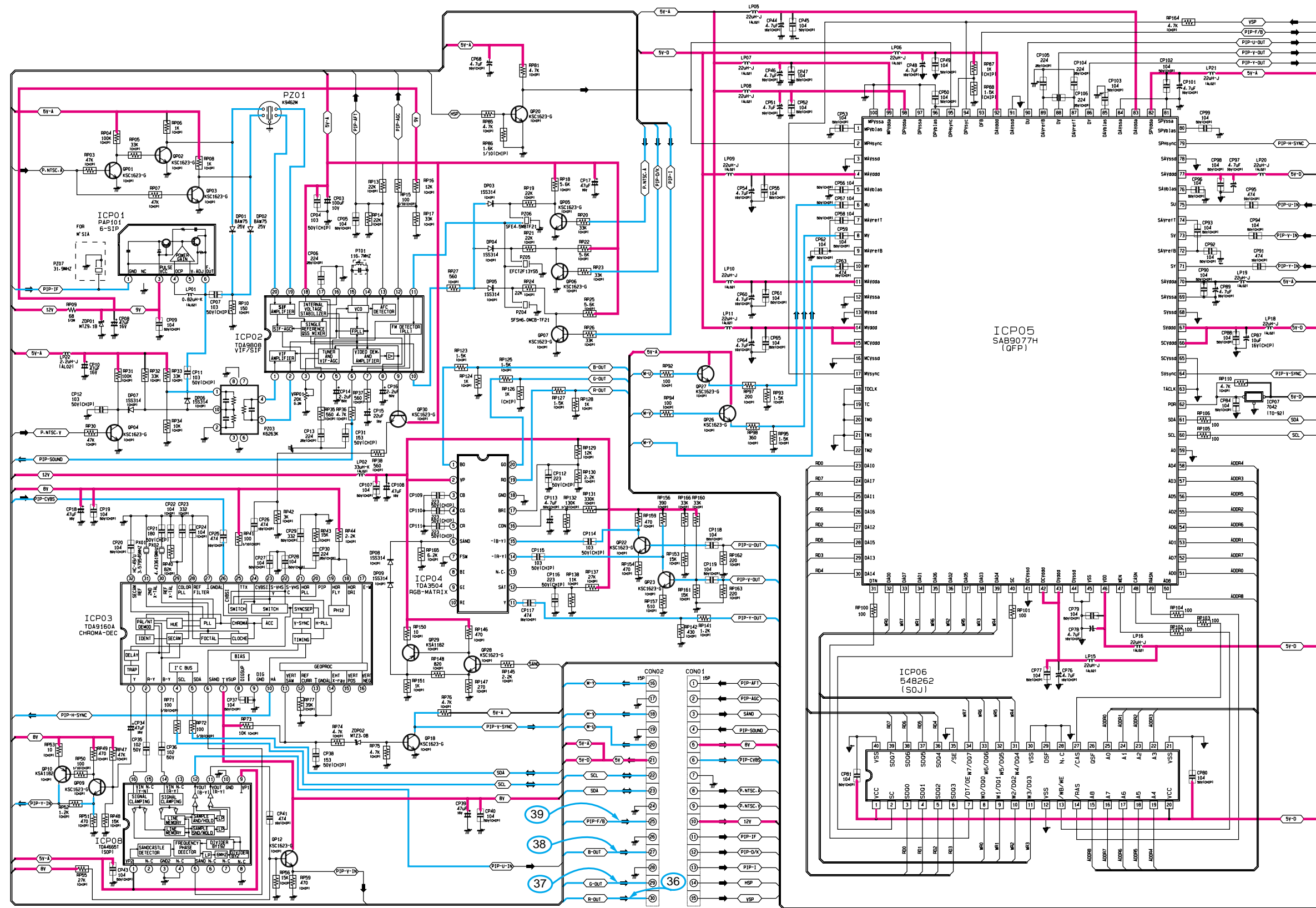
LOC. NO	1 TUNER	2 TUNER	PART
EL05	TECC2979K2B1(S)	TECC2979K30A1(S)	TUNER
EL06	AA40-1000SN	AA40-1000SV	
EL07	DELETE	R-CARBON 430 1/8W	
EL08	DELETE	R-CARBON 1K 1/8W	
EL09	DELETE	R-CARBON 1K 1/8W	MICOM
EL10	DELETE	R-CARBON 10K 1/8W	
EL12	DELETE	R-CARBON 10K 1/8W	
EL13	DELETE	2T OPTION BLOCK	
EL15	DELETE	R-CARBON 1K 1/8W	MICOM
EL16	DELETE	R-CARBON 1K 1/8W	
R904	DELETE	R-CARBON 47K 1/8W	
R910	DELETE	R-CARBON 47K 1/8W	
EY01	DELETE	R-CARBON 47K 1/8W	MICOM
EY02	DELETE	R-CARBON 47K 1/8W	
EY03	DELETE	R-CARBON 47K 1/8W	
EY04	DELETE	20V 102 AXIAL	
C948	DELETE	20V 102 AXIAL	2202-00173



12-5 MAIN DEFL

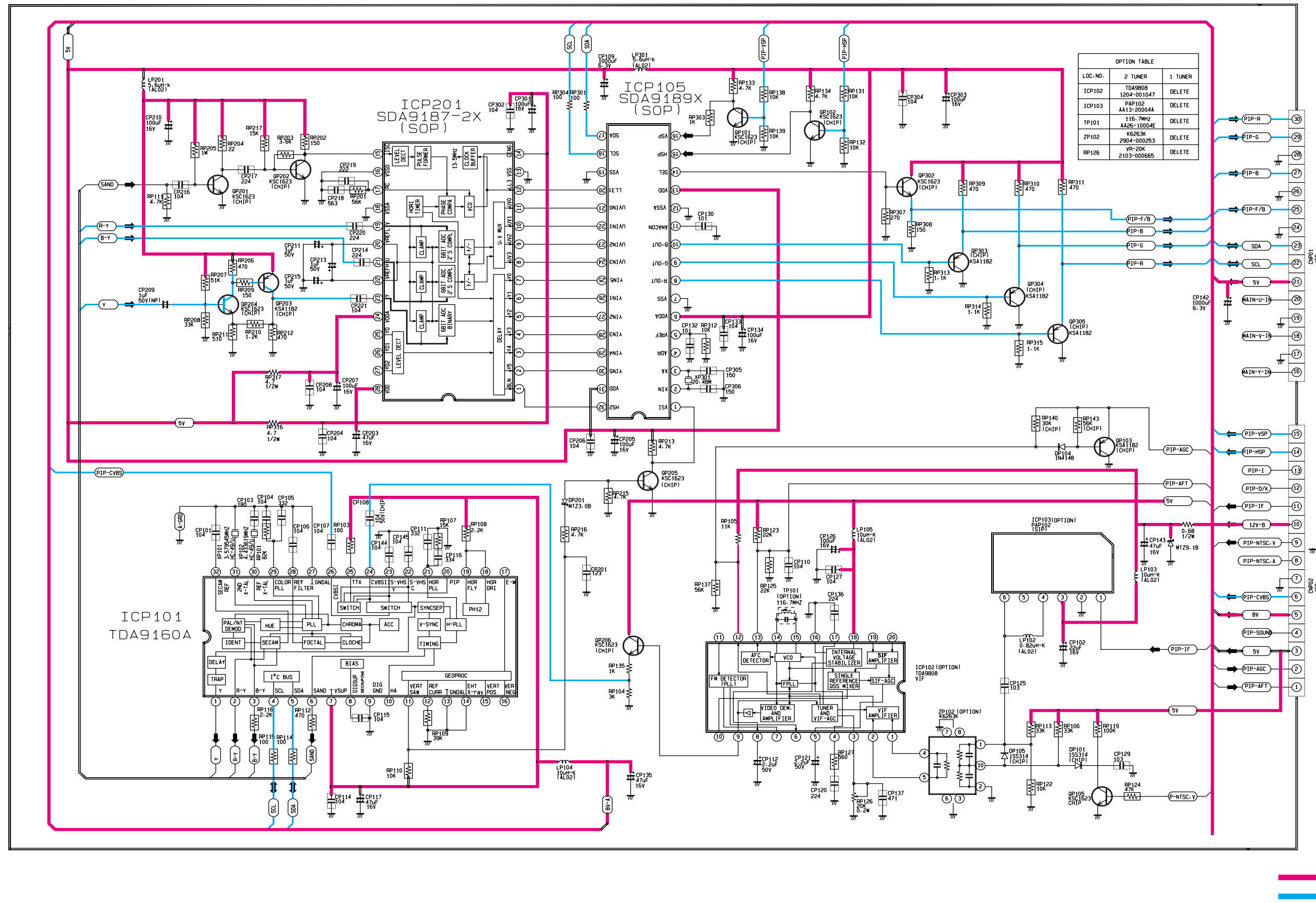


12-6 MAIN PIPM

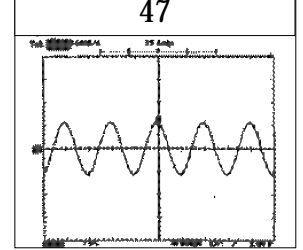
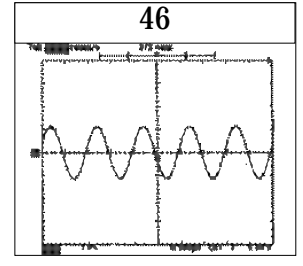
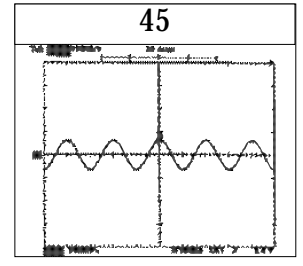
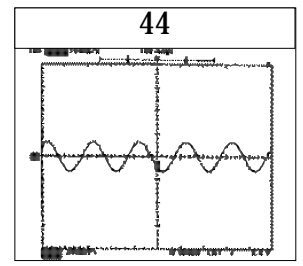
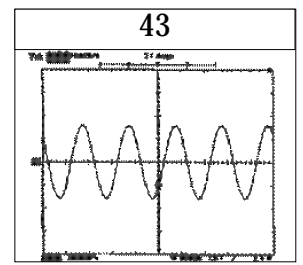
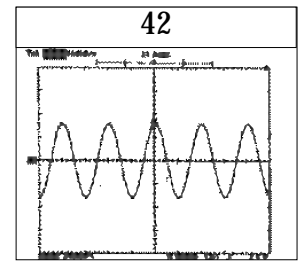
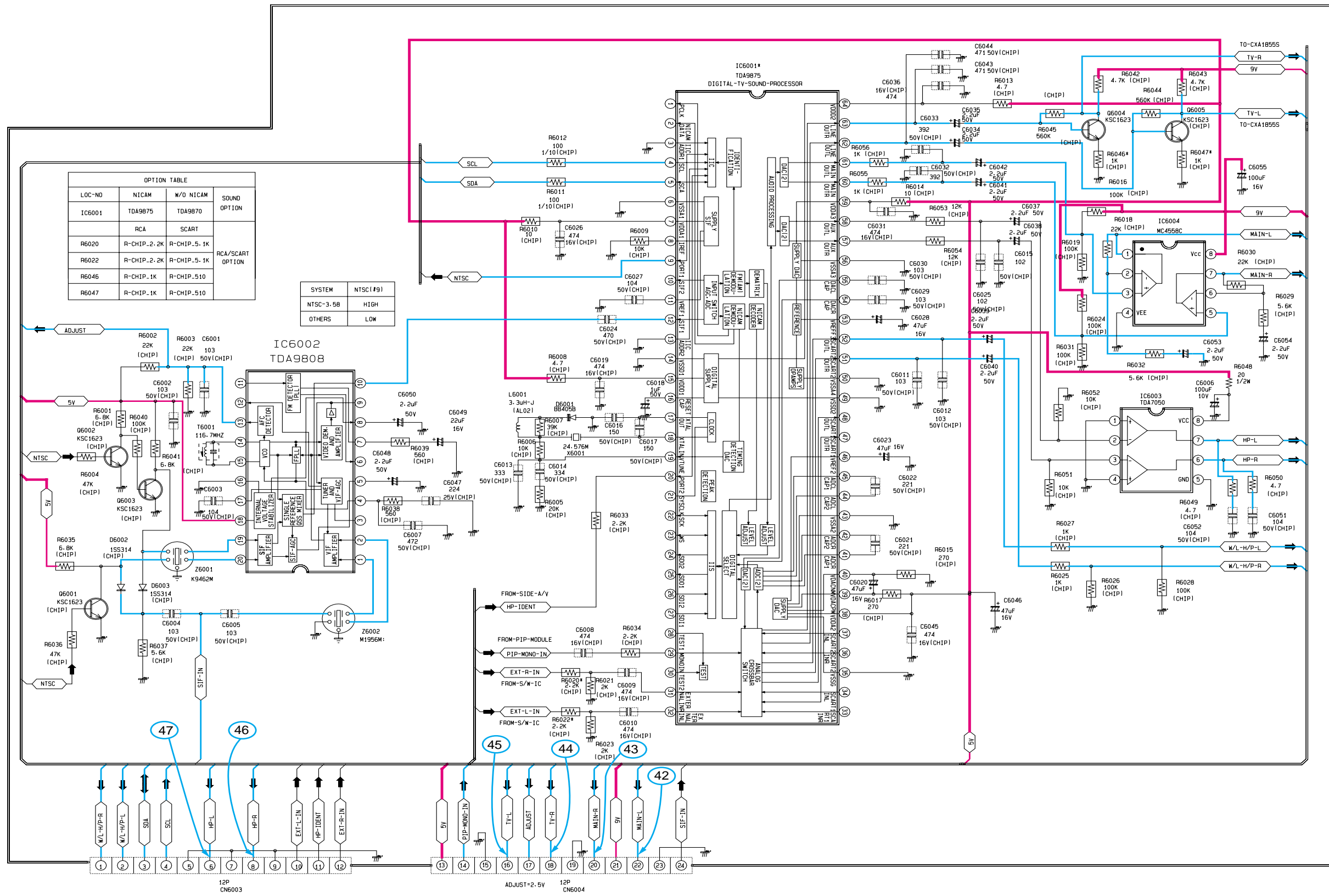


Power Line
Signal Line

12-7 MAIN PIP

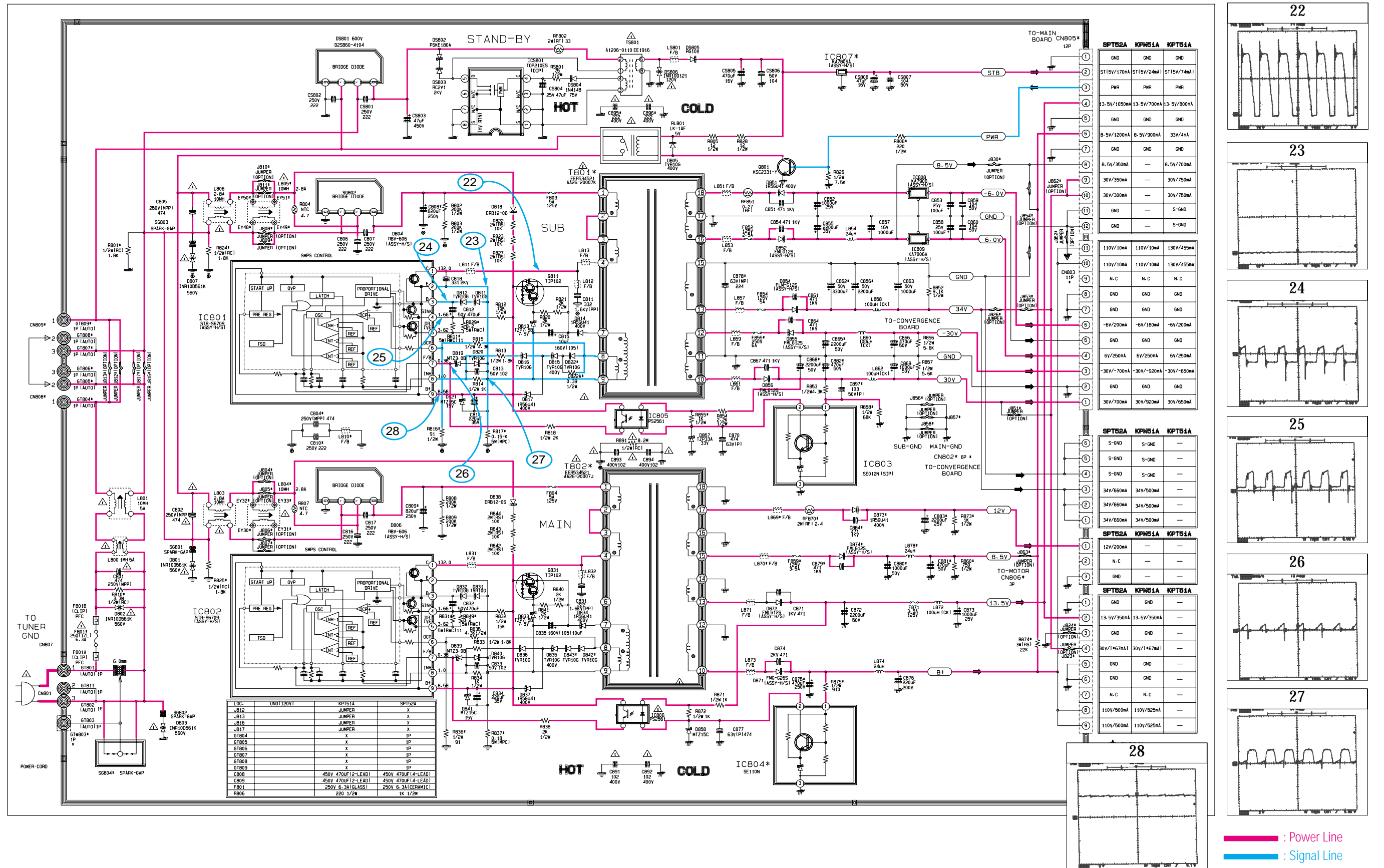


12-8 MAIN AUDIO



Power Line
Signal Line

12-9 MAIN POWER



LOC.	UNIT 120V1	KPT51A	SPT52A
J812	JUMPER	X	X
J813	JUMPER	X	X
J816	JUMPER	X	X
J817	JUMPER	X	X
G1804	X	IP	IP
G1805	X	IP	IP
G1806	X	IP	IP
G1807	X	IP	IP
G1808	X	IP	IP
G1809	X	IP	IP
C809	450V 470µF(2-LEAD)	450V 470µF(4-LEAD)	
C809	450V 470µF(2-LEAD)	450V 470µF(4-LEAD)	
C809	250V 6.3µF(GLASS)	250V 6.3µF(CERAMIC)	
R806	220 1/2W	1K 1/2W	

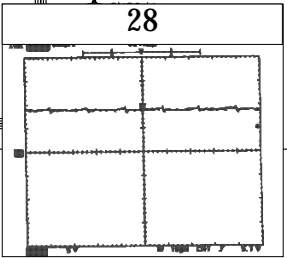
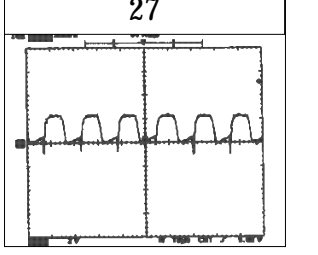
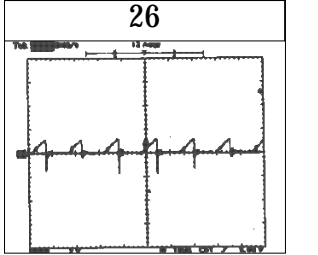
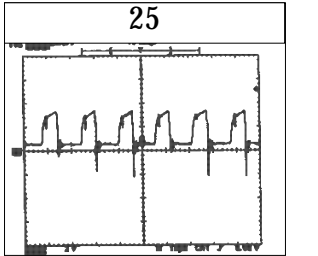
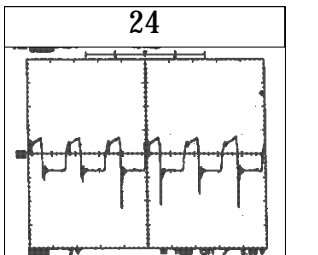
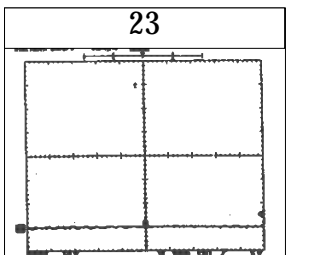
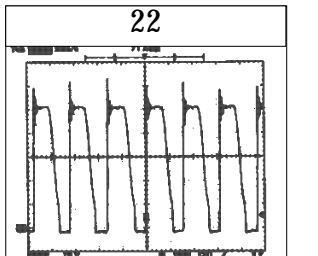
SPT52A	KPW51A	KPT51A
GND	GND	GND
ST15V/170mA	ST15V/24mA	ST15V/74mA
PWR	PWR	PWR
3.5V/1050mA	13.5V/700mA	13.5V/800mA
GND	GND	GND
8.5V/1200mA	8.5V/900mA	33V/4mA
GND	GND	GND
8.5V/350mA	—	8.5V/700mA
30V/350mA	—	30V/750mA
30V/300mA	—	30V/750mA
GND	—	5-GND
GND	—	5-GND

SPT52A	KPW51A	KPT51A
110V/10mA	110V/10mA	130V/45mA
110V/10mA	110V/10mA	130V/45mA
N.C	N.C	N.C
GND	GND	GND
GND	GND	GND
-6V/200mA	-6V/180mA	-6V/200mA
GND	GND	GND
6V/250mA	6V/250mA	6V/250mA
-30V/-700mA	-30V/-920mA	-30V/-650mA
GND	GND	GND
30V/700mA	30V/920mA	30V/650mA

SPT52A	KPW51A	KPT51A
S-GND	S-GND	—
S-GND	S-GND	—
S-GND	S-GND	—
34V/660mA	34V/500mA	—
34V/660mA	34V/500mA	—

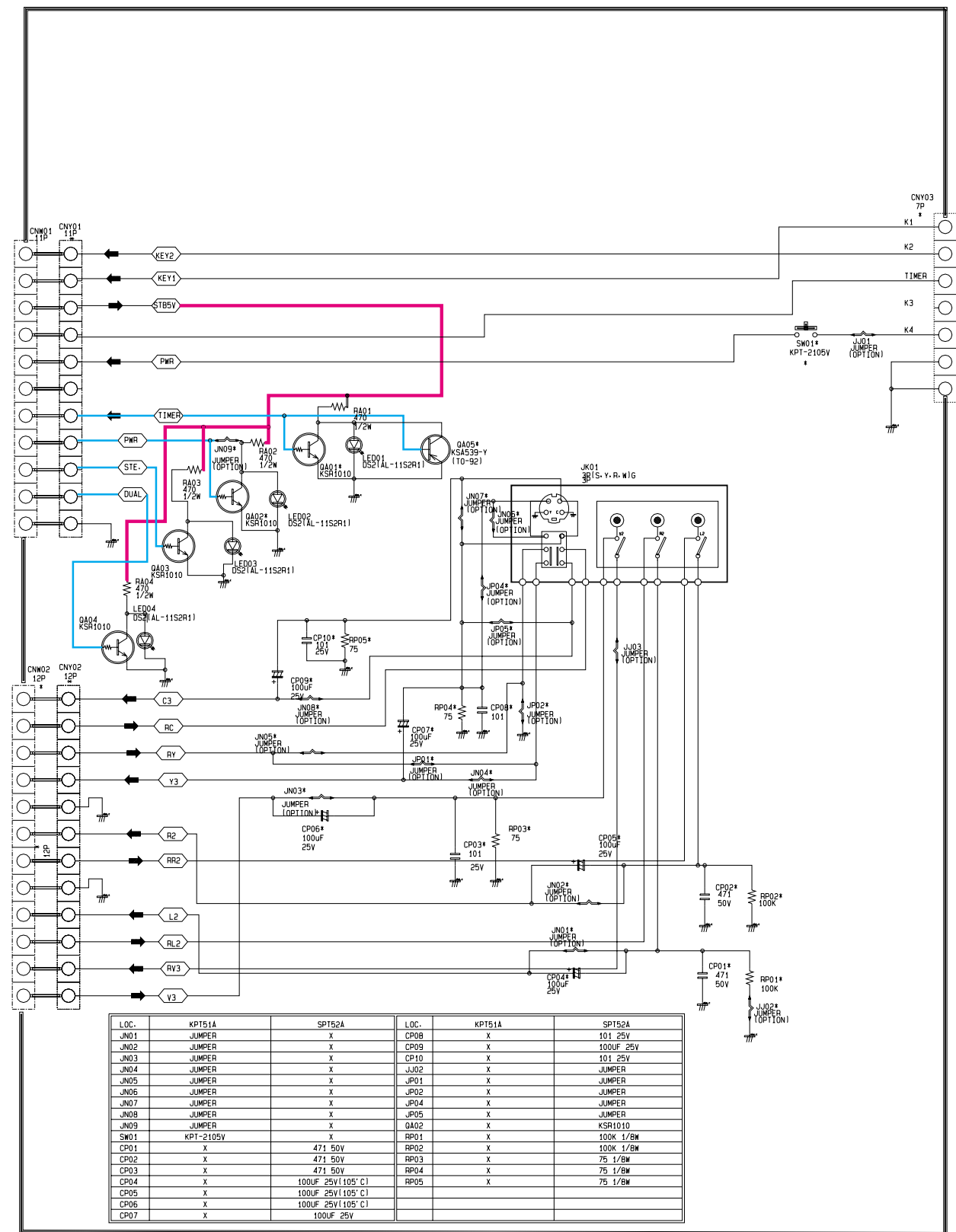
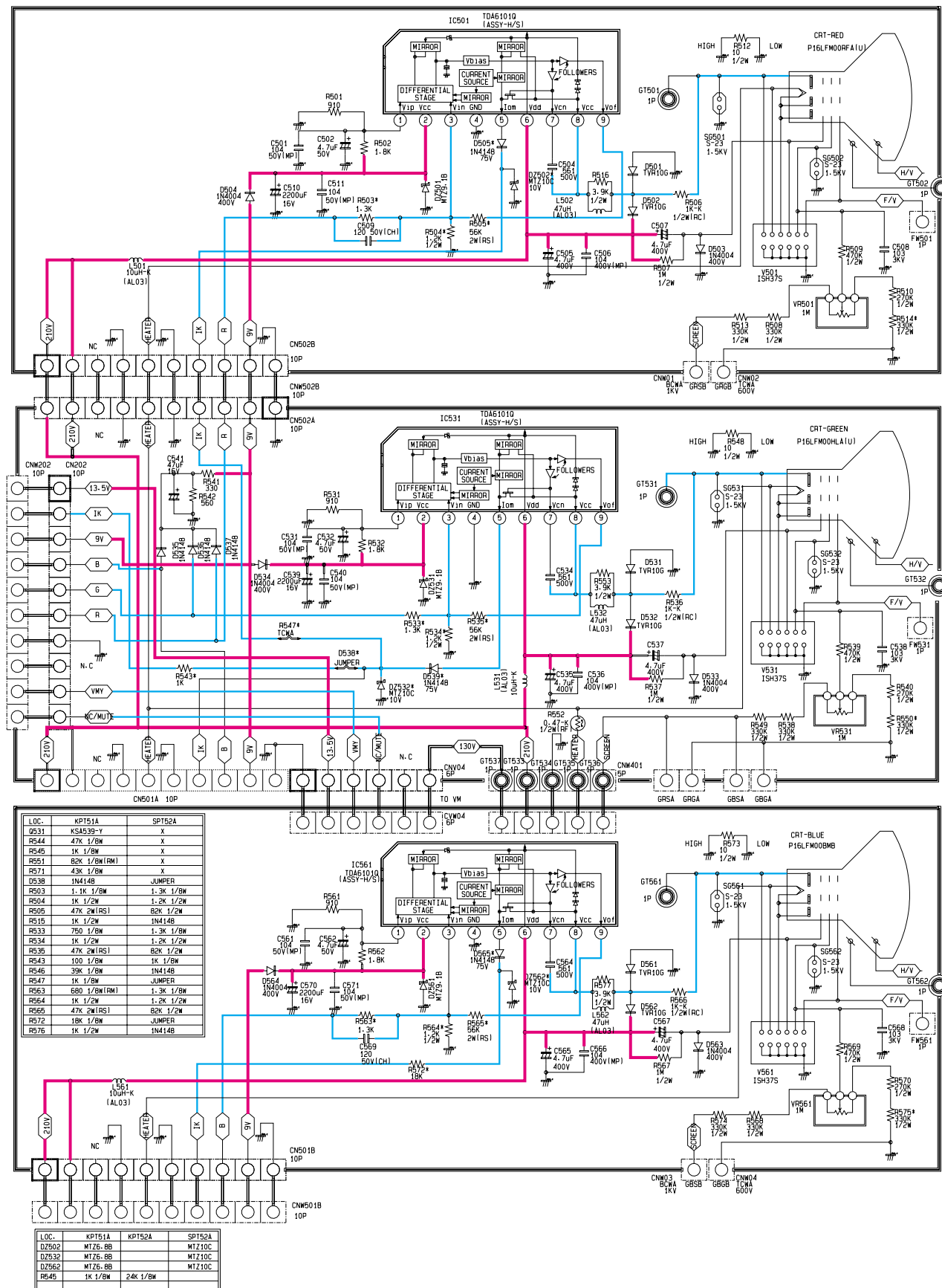
SPT52A	KPW51A	KPT51A
12V/200mA	—	—
N.C	—	—
GND	—	—

SPT52A	KPW51A	KPT51A
GND	GND	—
13.5V/350mA	13.5V/350mA	—
GND	GND	—
30V/1467mA	30V/1467mA	—
GND	GND	—
GND	GND	—
N.C	N.C	—
110V/500mA	110V/525mA	—
110V/500mA	110V/525mA	—

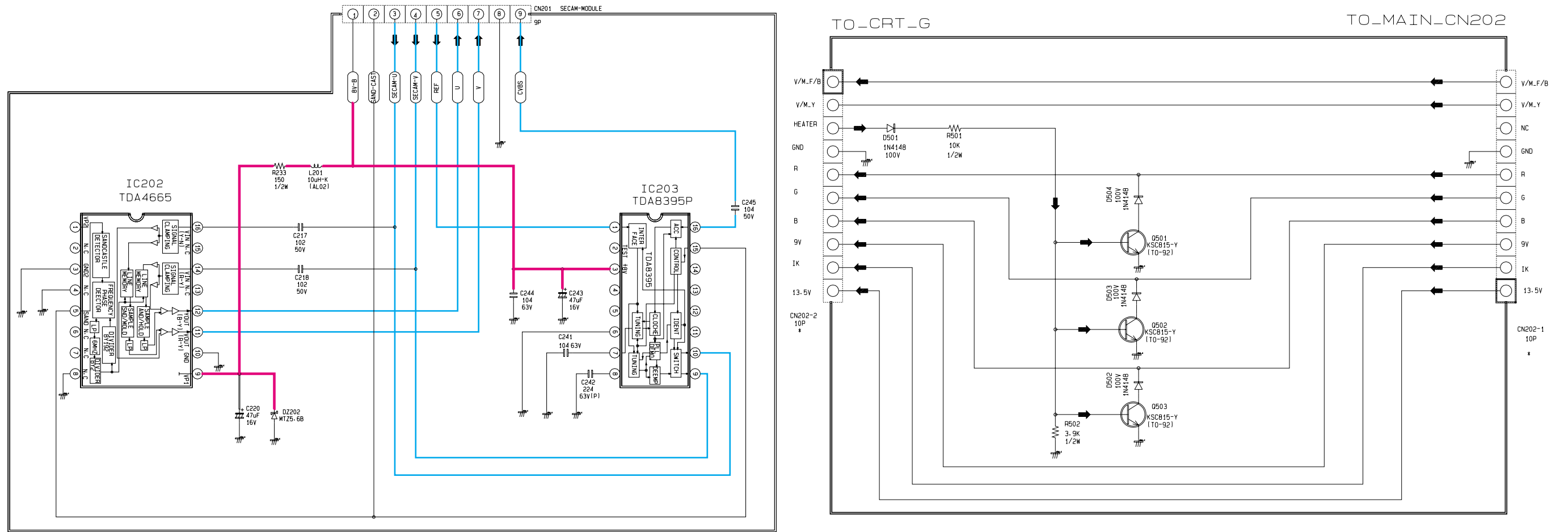


Power Line
Signal Line

12-10 MAIN CRT , A/V FRONT

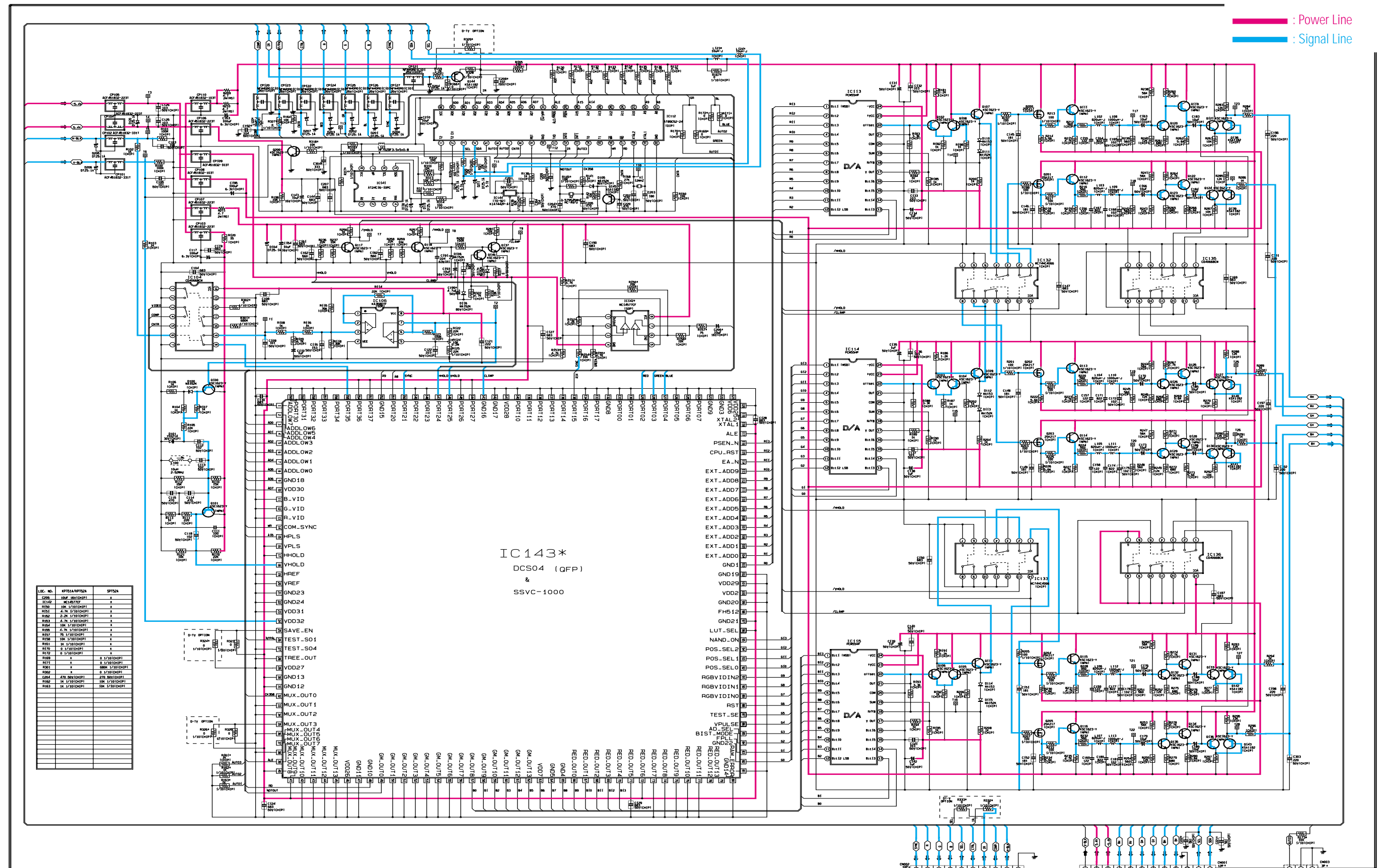


12-11 MAIN SECAM-MODULE , AKB-MUTE



— : Power Line
— : Signal Line

12-12 MAIN CONV/MDL



12-13 MAIN D/F, V/M

