

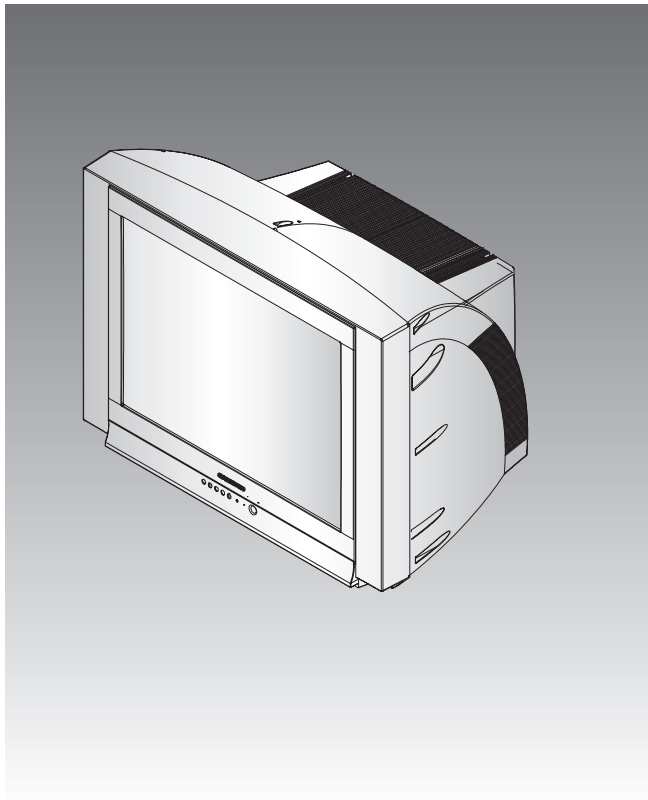


# DIGITAL TELEVISION RECEIVER

Chassis : KS7A(P) REV.1  
Model : CS29K5MHUX/AAG  
CS29M6MBUX/XST

# ***SERVICE*** Manual

## DIGITAL TELEVISION RECEIVER



## CONTENTS

1. Specifications
2. Alignment and Adjustments
3. Exploded Views and Parts List
4. Electrical Parts List
5. PCB Diagram
6. Schematic Diagrams



**ELECTRONICS**

This Service Manual is a property of Samsung Electronics Co.,Ltd.  
Any unauthorized use of Manual can be punished under applicable  
International and/or domestic law.

© Samsung Electronics Co., Ltd. **Nov . 2004**  
Printed in Korea  
**AA82-02040A**

---

## 2. Alignment and Adjustments

---

### 2-1 General Alignment Instructions

---

1. Usually, a color TV-VCR needs only slight touch-up adjustment upon installation. Check the basic characteristics such as height, horizontal and vertical sync and focus.
2. Observe the picture for good black and white details. There should be objectionable color shading; if color shading is present, demagnetize, perform purity and convergence adjustments described below.
3. Use the specified test equipment or its equivalent.
4. Correct impedance matching is essential.
5. Avoid overload. Excessive signal from a sweep generator might overload the front-end of the TV. When inserting signal markers, do not allow the marker generator to distort test results.
6. Connect the TV only to an AC power source with voltage and frequency as specified on the backcover nameplate.
7. Do not attempt to connect or disconnect any wires while the TV is turned on. Make sure that the power cord is disconnected before replacing any parts.
8. To protect against shock hazard, use an isolation transformer.

### 2-2 Automatic Degaussing

---

A degaussing coil is mounted around the picture tube, so that external degaussing after moving the TV should be unnecessary. But the receiver must be properly degaussed upon installation.

The degaussing coil operates for about 1 second after the power is switched ON. If the set is moved or turned in a different direction, the power should be OFF for at least 10 minutes.

If the chassis or parts of the cabinet become magnetized, poor color purity will result. If this happens, use an external degaussing coil. Slowly move the degaussing coil around the faceplate of the picture tube and the sides and front of the receiver. Slowly withdraw the coil to a distance of about 6 feet before turning power OFF.

If color shading persists, perform the following Color purity and Convergence adjustments.

### 2-3 High Voltage Check

---

**CAUTION :** There is no high voltage adjustment on this chassis. The B+ power supply should be +135 volts (with full color- bar input and normal picture level).

1. Connect a digital voltmeter to the second anode of the picture tube.
2. Turn on the TV. Set the Brightness and Contrast controls to minimum (zero beam current).
3. Adjust the Brightness and contrast controls to both extremes. Ensure that the high voltage does not exceed 30 KV under any conditions.

## 2-4 FOCUS Adjustment

---

1. Input a crosshatch pattern.
2. Adjust the tuning control for the clearest picture.
3. Adjust the FOCUS control for well defined scanning lines in the center area of the screen.

## 2-5 SCREEN Adjustment

---

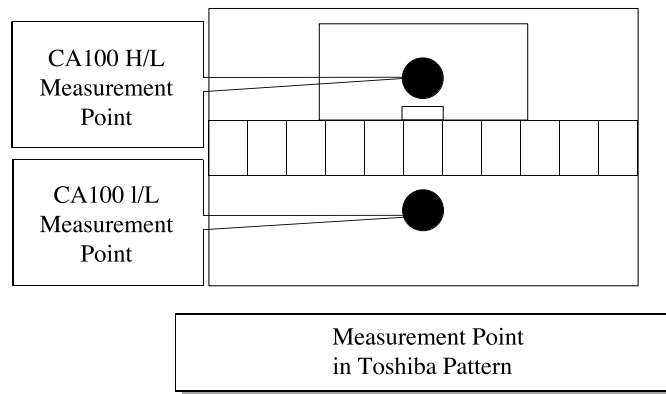
1. Input Toshiba Pattern  
If a Toshiba pattern is not available,  
Enter "Service Mode" and  
select "Test pattern 2" (Toshiba pattern)
2. Enter "Service Mode".
3. Select "G2-Adjust".
4. Set the values as example
5. Turn the SCREEN VR until "Read Cutoff" and "Read Drive" are green.  
(The incorrect SCREEN Voltage may result that "Read Cutoff" and "Read Drive" should be red)

ex) **IBRM = 175**  
**WDRV = 110**  
**CDL = 250**  
**COLR G B = 110 110 110**

## 2-6 White Balance Adjustment

---

1. Warm up the TV set for at least 30 minutes.
2. Enter the Service Mode by pressing the remote control keys in the following sequence:  
Power Off → Info → Menu → Mute → Power On
3. Initialize all set data.
4. Input a Toshiba pattern.
5. Using a probe(CA100), do the White Balance adjustments.
  - (1) Adjust Low-Light.
    - Adjust Sub Brightness to set Y.
    - Adjust B Cutoff to set y.
    - Adjust R Cutoff to set x.
  - (2) Adjust High-Light.
    - Adjust Sub Contrast to set Y.
    - Adjust B Drive to set y.
    - Adjust R Drive to set x.
  - (3) Check the value of Low-Light. If necessary, readjust Low-Light.
  - (4) Check the value of High-Light. If necessary, readjust High-Light.



## 2-7 When adjusting Screen Voltage and White Balance

1. Screen Voltage and White Balance are related each other. Make sure both adjustments are correct.
2. Adjust Screen Voltage before White Balance Adjustments. Make sure Screen Voltage is correct.
3. If White Balance has been readjusted, re-check Screen Voltage.
4. After adjustments are complete, check the following.
  - If spots appear on the screen after pressing the Power On/Off key, readjust Screen Voltage.
  - If flyback lines appear on the screen, readjust Screen Voltage.

## 2-8 Factory Adjustment

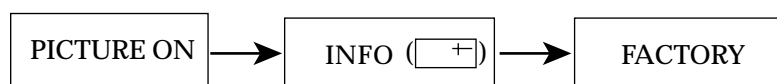
### 2-8-1 Service Mode

1. To enter the "Service Mode", Press the remote-control keys in this sequence :

- If you do not have Factory remote-control



- If you have Factory remote-control



## 2-8-2 Factory Mode OSD

### 2-8-2(A) ADJUST

SERVICE / T - ETPAS0 - 10XX  
Deflection  
Video Adjust1  
Video Adjust2  
Video Adjust3  
Option : D2 16 04 02  
YC Delay  
Test Pattern : 0  
EEPROM  
Bus Stop  
Check Sum : 0000  
Reset / 2004-03-08  
G2 Adujust


**DEFLECTION : PAL**

Item	Min	Max	ET	G/R	Remark
V Amp	-128	127	24	12	Adjust
V Shift	-128	127	-35	-59	Adjust
H EW	-128	127	25	5	Adjust
H Shift	32	180	124	105	Adjust
V Linearity	-128	127	0	0	Adjust
V SC	-128	127	43	43	FIX(Depend on the inch)
H Parabolra	-128	127	62	80	Adjust
Upper Corner	-128	127	-5	-19	Adjust
Lower Corner	-128	127	-5	-39	Adjust
Upper Corner 6	-128	127	-4	0	FIX(Depend on the inch)
Lower Corner 6	-128	127	-4	0	FIX(Depend on the inch)
H Trapezium	-128	127	-3	1	Adjust
Bow	-128	127	3	3	Adjust
Angle	-128	127	1	-2	Adjust
EHT Time	0	255	20	20	FIX(Depend on the inch&CRT Drive)
EHT Threshold	0	255	1	1	FIX(Depend on the inch&CRT Drive)
EHT Vertical	-128	127	-12	-12	FIX(Depend on the inch&CRT Drive)
EHT Horizontal	-128	127	5	5	FIX(Depend on the inch&CRT Drive)
EHT Vertical2	-128	127	-19	-19	FIX(Depend on the inch&CRT Drive)
EHT Horizontal2	-128	127	10	10	FIX(Depend on the inch&CRT Drive)

**DEFLECTION : NTSC OFFSET**

Item	Min	Max	ET	G/R	Remark
V Amp	-128	127	-2	-2	FIX
V Shift	-128	127	6	6	FIX
H EW	-128	127	0	0	FIX
H Shift	32	180	14	14	FIX
V Linearity	-128	127	-3	-3	FIX
V SC	-128	127	0	0	FIX
H Parabolra	-128	127	0	0	FIX
Upper Corner	-128	127	0	0	FIX
Lower Corner	-128	127	0	0	FIX
Upper Corner 6	-128	127	0	0	FIX
Lower Corner 6	-128	127	0	0	FIX
H Trapezium	-128	127	0	0	FIX
Bow	-128	127	0	0	FIX
Angle	-128	127	0	0	FIX




**Video Adjust 1**

Item	Min	Max	ET	G/R	Remark
R Cutoff	0	255	127	127	Adjust
G Cutoff	0	255	127	127	FIX
B Cutoff	0	255	127	127	Adjust
R Drive	0	255	127	127	Adjust
G Drive	0	255	127	127	FIX
B Drive	0	255	127	127	Adjust
Sub Bright	0	100	50	50	Adjust
Sub Contrast	0	63	55	55	Adjust
Sub Color	0	23	10	2	FIX(Depend on the country&CRT Drive)
Sub Tint	0	63	42	52	FIX
AKB Option	0	1	1	1	FIX
BCL Threshold	-128	127	16	22	FIX(Depend on the inch)
BCL Gain	0	255	240	240	FIX
BCL Time	0	255	255	255	FIX
Sub Sharpness	0	15	8	13	FIX(Depend on the inch&CRT Drive)
DVD R Cutoff	-10	10	-5	-5	Inch(Depend on the CRT)
DVD B Cutoff	-10	10	-4	-4	Inch(Depend on the CRT)
BCL BCUT	0	255	65	55	FIX
Pilot Low(NTSC ONLY)	10	127	-	-	FIX
Pilot High(NTSC ONLY)	10	127	-	-	FIX
V-Mute(X100ms,NTSC ONLY)	0	15	-	-	FIX


**Video Adjust 2**

Item	Min	Max	ET	G/R	Remark
VSU	0	115	2	2	FIX
Melody Volume	0	20	10	10	FIX
HB Start	0	255	159	159	FIX
HB Stop	0	255	159	159	FIX
RF AGC	0	15	1	4	FIX(Depend the Tuner)
VM Gain	0	63	6	0	FIX(Depend on the CRT Drive AMP)
VM Delay	0	15	4	0	FIX(Depend on the CRT Drive AMP)
V_Peaking	0	15	6	0	FIX
BLE Tilt	0	15	7	6	FIX
BLE Gain	0	3	3	1	FIX
BLE Mode	0	3	3	2	FIX
BLE Break	0	7	7	1	FIX
CTI Gain	0	15	15	0	FIX(Depend on the mode)
CTI Coring	0	15	15	0	FIX(Depend on the mode)
LTI Gain	0	15	15	0	FIX(Depend on the mode)
D-EHT Time	0	255	255	5	FIX(Depend on the mode)
DCT Ratio	0	255	255	50	FIX
LTI Enable	0	1	1	0	FIX
VSP Comb	0	3	3	0	FIX


**Video Adjust 3**

Item	Min	Max	ET	G/R	Remark
NR Off Value	0	31	0	3	FIX
Gamma Mode	0	1	1	1	FIX
Gamma Correction	-128	127	30	75	FIX
BST StartPoint	0	255	140	140	FIX
BST GAIN(B)	-128	127	50	50	FIX
DPWL Gain	0	255	30	30	FIX
DPWL Start	0	255	145	145	FIX
PIP Contrast	0	15	10	10	FIX
PIP Tint	0	63	63	63	FIX
PIP Color	0	15	10	10	FIX
PIP PAL V.Pos	0	255	24	24	FIX
PIP NTSC V.Pos	0	255	23	23	FIX
PIP H.Pos	0	255	39	39	FIX
PIP R Cutoff	0	15	5	5	FIX(Depend on the CRT)
PIP B Cutoff	0	15	4	4	FIX(Depend on the CRT)
PIP R Drive	0	255	125	125	FIX(Depend on the CRT)
PIP B Drive	0	255	122	122	FIX(Depend on the CRT)

**Option**

NO.	ITEM	<i>Initial Asia Version</i>	<i>CS29M6PQ Singapore</i>	<i>CS25M20EQ Cis</i>	<i>CS29M20EQ TSE</i>	REMARK
1	System	CS	CS	CS	CS	CS / CZ / CW
2	Sound	NICAM	NICAM	NICAM	NICAM	Line Stereo / A2 / NICAM / V-Dolby
3	CRT	4:3	4:3	4:3	4:3	4:3 / Wide
4	AV Jack	2RCA+S+DVD	2RCA+S+DVD	SCART+S	2RCA+S+DVD	2RCA / 2RCA+S / 2RCA+DVD / 2RCA+S+DVD / 2Scart / 2Scart+S
5	Auto FM	On	On	On	On	On / Off
6	PIP	Off	2-Tuner	1-Tuner	1-Tuner	Off / 1-Tuner / 2-Tuner
7	Txt Language	West Europe	West Europe	Russian	West Europe	West Europe / East Europe / Russian / Greek-Turkey Arabic / Farsi / Arab-Hebrew
8	LNA	Off	On	On	Off	On / Off
9	High Deviate	Off	Off	Off	Off	On / Off
10	TTX On/Off	On	On	On	On	On / Off
11	Double TTX	Off	Off	Off	Off	On / Off
12	Tilt	Off	On	Off	On	On / Off
13	Hotel Mode	Off	Off	Off	Off	On / Off
14	Volume Curve	Large Curve	Large Curve	Large Curve	Large Curve	Large Curve / Small Curve
15	FM Radio	Off	Off	Off	Off	On / Off
16	Antenna Disp	On	On	On	On	On / Off
17	Osd Language	East-Asia	East-Asia	Russian	East-Asia	East-Asia / Middle-Asia / CIS
18	TTX List Pri	Off	Off	Off	Off	On / Off
19	DNle Jr	On	On	On	On	On / Off

**Test pattern**

- 0 : Current RF Signal
- 1 : White + Crosshatch
- 2 : ABL pattern
- 3 : Black to White (4 pattern)
- 4 : Black to White
- 5 : Green + Magenta
- 6 : Color bar
- 7 : Crosshatch

**YC DELAY**

Item	Min	Max	ET	G/R	Remark
PAL DELAY	-8	7	-3	-3	FIX
SECAM DELAY	-8	7	-3	-3	FIX
NTSC DELAY	-8	7	-3	-3	FIX
PAL AV DELAY	-8	7	-1	-1	FIX
SECAM AV DELAY	-8	7	-3	-3	FIX
NTSC AV DELAY	-8	7	-3	-3	FIX



EEPROM SubAddress	Factory Control	Remark	MIN	MAX	INITIAL	
0	Dynamic Contrast	FIX	0	255	100	100
1	Dynamic Brightness	FIX	0	255	45	45
2	Dynamic Sharpness	FIX	0	255	75	75
3	Dynamic Color	FIX	0	255	55	55
4	Dynamic Tint	FIX	0	255	50	50
5	Standard Contrast	FIX	0	255	80	80
6	Standard Brightness	FIX	0	255	50	50
7	Standard Sharpness	FIX	0	255	50	50
8	Standard Color	FIX	0	255	50	50
9	Standard Tint	FIX	0	255	50	50
10	Movie Contrast	FIX	0	255	50	50
11	Movie Brightness	FIX	0	255	55	55
12	Movie Sharpness	FIX	0	255	25	25
13	Movie Color	FIX	0	255	40	40
14	Movie Tint	FIX	0	255	50	50
15					255	255
16					255	255
17					255	255
18					255	255
19	DVD SUB TINT	FIX	0	255	17	17
20	16:9 V-SHIFT	FIX	0	255	15	15
21	16:9 PARAVOLA	FIX	0	255	5	5
22	PIP BRIGHTNESS	FIX	0	255	0	0
23	Double TTX Contrast	FIX		255	60	60
24	TTX V Position	FIX	0	255	35	35
25	TTX H Position	FIX	0	255	125	125
26	TTX Contrast	FIX	0	255	100	115
27	TTX Brightness	FIX	0	255	20	20
28	OSD/PIP CONTRAST	FIX	0	255	120	120
29	OSD/PIP BRIGHT	FIX	0	255	15	15
30	Double TTX H Position	FIX	0	255	225	225
31	Standard Equ100 (Std BASS)	FIX	0	255	8	8
32	Standard Equ300 (Std TREBLE)	FIX	0	255	13	13
33	Standard Equ1K (Music BASS)	FIX	0	255	14	14
34	Standard Equ3K (Music TREBLE)	FIX	0	255	13	13
35	Standard 10K (Movie BASS)	FIX	0	255	12	12
36	Music Equ100 (Movie TREBLE)	FIX	0	255	18	18
37	Music Equ300 (Speech BASS)	FIX	0	255	14	14
38	Music Equ1K (Speech TREBLE)	FIX	0	255	11	11
39	Music Equ3K	FIX	0	255	14	14
40	Music 10K	FIX	0	255	18	18
41	Movie Equ100	FIX	0	255	22	22
42	Movie Equ300	FIX	0	255	15	15
43	Movie Equ1K	FIX	0	255	11	11
44	Movie Equ3K	FIX	0	255	12	12
45	Movie 10K	FIX	0	255	13	13
46	Speech Equ100	FIX	0	255	6	6
47	Speech Equ300	FIX	0	255	11	11
48	Speech Equ1K	FIX	0	255	14	14
49	Speech Equ3K	FIX	0	255	13	13
50	Speech 10K	FIX	0	255	11	11
51	Brightness(RGB/DVD)	FIX	0	255	13	13
52	Contrast(RGB/DVD)	FIX	0	255	38	38
53	U Saturation(RGB/DVD)	FIX	0	255	44	44
54	V saturation(RGB/DVD)	FIX	0	255	43	43
55	V/FBL Delay	FIX	0	255	85	85
56	CrCb Delay	FIX	0	255	84	84
57	d/w h-position	FIX	0	255	58	58
58	d/w -blanking 1	FIX	0	255	129	129

59	d/w -blanking 2	FIX	0	255	150	150
60	PIP G CUTOFF	FIX	0	255	2	2
61	PIP G DRIVE	FIX	0	255	125	125
62	OSD BRIGHT OFFSET	FIX	0	255	31	31
63	OSD/PIP BRIGHT OFFSET	FIX	0	255	85	85
64	MDB_STRENGTH	FIX	0	255	68	68
65	MDB_HARMONIC	FIX	0	255	37	37
66	MDB_HP	FIX	0	255	9	9
67	MDB_LP	FIX	0	255	11	11
68	MDB_LIM	FIX	0	255	252	252
69	MDB_CUTOFF	FIX	0	255	12	12
70	EHT POSITION 1	FIX	0	255	5	5
71	EHT POSITION 2	FIX	0	255	249	249
72	3.4CH SLLTHD (TV-NO NOISE)	FIX	0	255	0	0
73	CH SLLTHD (TV-NO NOISE)	FIX	0	255	1	1
74	LNA	FIX	0	255	110	110
75	SLLTHDV(TV NO NOISE)	FIX	0	255	6	6
76	VCR/TV Noise Level Offset	FIX	0	255	0	55
77	LNA SW	FIX	0	255	1	1
78	LMIXOFS	FIX	0	255	6	31
79	HOUTDEL	FIX	0	255	70	70
80	Over Modulation Detect	FIX	0	255	64	64
81	Over Mod.<-> Normal return	FIX	0	255	100	100
82	VCR mode detect counter	FIX	0	255	5	5
83	SUB MATRIX Tint	FIX	0	15	4	4
84	VIDEO SUB SHARPNESS	FIX	0	15	15	15
85	S VIDEO SUB SHARPNESS	FIX	0	15	8	13
86	DVD SUB SHARPNESS	FIX	0	15	8	13
87	Standard Bass					50
88	Standrad Treble					50
89	Music Bass					85
90	Music Treble					70
91	Movie Bass					95
92	Movie Treble					50
93	Speech Bass					40
94	Speech Terble					

## G2 Adjust

G2-Adjust	IBRM	FIX	0	255	175	175
	WDRM	FIX	0	255	110	110
	CDL	FIX	0	255	250	250
	COLR G B	FIX	0 , 0 , 0	255,255,255	110,110,110	150,150,150

You can search for the updated part code through ITSELF web site.  
URL : <http://itself.sec.samsung.co.kr>

## 4. Electrical Parts List

### 4-1 CS29M6MBUX/XST

Level	Loc. No.	Code No.	Description ; Specification	Remark	Level	Loc. No.	Code No.	Description ; Specification	Remark	
<b>ASSY COVER REAR</b>										
1	M0002	AA90-04183S	ASSY COVER REAR;29M6,HIPS.V2,G4309,KS7A,	S.N.A	...	T0083	0402-001160	DIODE-BRIDGE;D5SB60,600V,6A,SIP-4,ST		
..2	T0069	AA60-00091P	SPACER-FELT;FELT,500X10,BLK,T0.5	S.N.A	...	T0083	0402-001296	DIODE-RECTIFIER;FMP-3FU,1.5KV,5A,DO-201A		
..2	T0015	AA64-02099D	CABINET-BACK;29M6,HIPS.V2,G4309	S.N.A	△	PC801S	0604-001032	PHOTO-COUPLER;TR,170-260%,300mW,DIP-4,ST		
..2	T0066	AA64-03974A	INLAY-BACK;KS7A,(ET),PAL,PS,T0.3,SHEET,B	S.N.A	...	IC112	1103-001171	IC-EEPROM;24C161,2Kx8,DIP,8P,9.2x6.4mm,2		
..2	T0522	AA65-30008A	CLAMPER CORE-CORD;-PE,HB,-,BLK,-	S.N.A	...	T0087	1203-001006	IC-POSI.FIXED REG.;78R05,TO-220F,4P,-,PL		
<b>ASSY COVER FRONT</b>										
1	M0001	AA90-05190L	ASSY COVER FRONT;CS29M6MBUX/XST	S.N.A	...	T0087	1203-001543	IC-POSI.FIXED REG.;78R33,TO-220,4P,400MI		
..2	T0081	6002-000522	SCREW-TAPPING;TH,+,2,M4,L15,ZPC(BLK),SWR	S.N.A	...	T0900	1404-001045	THERMISTOR-NTC;4.7ohm,15%,2900K,35.0mW,T		
..2	M0081	6003-001026	SCREW-TAPTITE;RH,+,B,M4,L15,ZPC(BLK),SWR	S.N.A	...	P803T	1404-001264	THERMISTOR-PTC;4.50HM,+30/-20%,220V,290V		
..2	M0081	6003-001026	SCREW-TAPTITE;RH,+,B,M4,L15,ZPC(BLK),SWR	S.N.A	...	C598	2201-000963	C-CERAMIC,DISC;1NF,20%,400V,Y5U,TP,9.5X6		
..2	T0609	AA60-00055C	SPACER-GUM,CRT;ALL MODEL,NTR RUBBER,G.	S.N.A	...	C598	2201-000987	C-CERAMIC,DISC;2.2NF,20%,400V,Y5U,BK,12.		
..2	T0081	AA60-10002A	SCREW-TAPPING;-ZPC(YEL),M4,L12,RH,+,-,S	S.N.A	...	C405	2301-001338	C-FILM,LEAD-OTHER;0.68NF,5%,1.6KV,BK,28X		
..2	T0081	AA60-10050T	SCREW-TAPPING;-SWRCH18A,M4,L20,RH,+,2S,	S.N.A	△	CR406S	2306-000195	C-FILM,LEAD-PPF;360NF,5%,400V,BK,26X19X1		
..2	CRT+CF	AA60-10050V	BOLT-HEX;-SWRCH18A,M6,L30,HH,+WC,-Z	S.N.A	△	CR403S	2306-000255	C-FILM,LEAD-PPF;7.4NF,3%,1.6KV,BK,28.5X1		
..2	AA61-00813B	SUPPORT-CRT;25M6,29M6,HIPS,HB,NATURL	S.N.A	△	...	CX801S	2306-000318	C-FILM,LEAD-PPF;220NF,20%,250V,BK,-,22.5		
..2	CCM1	AA61-01316A	BRACKET-CRATER;29 ALL,STS304,T0.5,...	S.N.A	△	CX802S	2306-000318	C-FILM,LEAD-PPF;220NF,20%,250V,BK,-,22.5		
..2	T0175	AA96-01461A	ASSY SPEAKER P;8ohm,semidome,10W,10W Sem	S.N.A	△	CR402S	2306-000329	C-FILM,LEAD-PPF;7NF,3%,1.6KV,BK,28.5X18.		
..2	T0003	AA96-02374D	ASSY COVER P-FRONT;29M6,KS7A(G/R),TSE,HI	S.N.A	...	C701	2401-003058	C-AL;100uF,20%,200V,WT,TP,16x25.7,5		
...3	M0081	6003-001026	SCREW-TAPTITE;RH,+,B,M4,L15,ZPC(BLK),SWR	S.N.A	...	C701	2401-003633	C-AL;220uF,20%,160V,GP,BK,22x25mm,10		
...3	M0081	6003-001026	SCREW-TAPTITE;RH,+,B,M4,L15,ZPC(BLK),SWR	S.N.A	...	XV201	2801-004019	CRYSTAL-UNIT;20.25MHz,30ppm,28-AAM,13pF,		
...3	T0069	AA60-00091J	SPACER-FELT;-FELT,330X10,-,BLK,T0.5,-	S.N.A	△	ICV101	2904-001179	FILTER-SAW;36.125MHz,-,32.65-39.6MHz/0.5		
...3	T0245	AA61-00771D	HOLDER-PCB;29U1,U2,HIPS VO,BK502(HB-PROP	S.N.A	△	RL801S	3501-001053	RELAY-POWER;5VDC,530MW,10000MA,1FORMA,15		
...3	CIS7	AA61-60003J	SPRING ETC-CS;-SUS304,-,OD6,N7,OD6,-,	S.N.A	△	FP801S	3601-000414	FUSE-CARTRIDGE;250V,5A,SLOW-BLOW,GLASS,5		
...3	CIS1	AA63-00488B	COVER-CONTROL;29M6,ABS,HB,WHT,SVM6145+S	S.N.A	△	V999S	3704-001197	SOCKET-CRT;8P+SEN,29P1,22.5P1,NI+SN,-		
...3	T0004	AA64-01506J	INLAY-AV;25M6,PS SHEET,T0.3,SILVER,P/GRA	S.N.A	...	CN906	3711-001084	CONNECTOR-HEADER;BOX,8P,1R,2.5mm,STRAIGH		
...3	T0023	AA64-02100J	KNOB POWER;21,25,29M6,ABS,HB,G3676,BKN11	S.N.A	...	CN906	3711-003043	CONNECTOR-HEADER;BOX,4P,1R,2.5MM,STRAIGH		
...3	T0022	AA64-02102C	KNOB CONTROL;25M6,29M6,ABS,HB,G3676,SV	S.N.A	...	CN906	3711-003043	CONNECTOR-HEADER;BOX,4P,1R,2.5MM,STRAIGH		
...3	T0299	AA64-02103B	WINDOW-RMC,LED;25M6,29M6,ACRYL,HB,CLEAS	S.N.A	...	CN906	3711-003241	CONNECTOR-HEADER;BOX,14P,1R,2.5MM,STRAIGH		
...3	CIS3	AA64-02104B	DECORATION-POWER;25M6,29M6,ABS,HB,WHT,SS	S.N.A	...	JAR701	3722-001333	JACK-PIN;9P,3.2mm,NI,BLK,-		
...3	T0003	AA64-04089H	CABINET FRONT;29M6,KS7A(G/R),HIPS,HB,G43	S.N.A	...	DVD_SVHS	3722-001457	JACK-PIN;3P/9P,3.4mm,NI,GRN/BLU/RED,-		
...3	T0057	AA64-70117B	BLADE-BRAND;-AL,T1.5,10.6,L65,BLK,SILVER	S.N.A	...	T0166	AA26-00205B	TRANS FBT;FFA61012K,CPTTV,3.4mH,FERRITE,		
...3	CIS1	AA65-00011C	CLAMPER CORE-WIRE;ALL MODEL,NYLON 66,V2S	S.N.A	...	T0117	AA26-00217A	TRANS SWITCHING;EER4950,KS7A BASIC,AC90-		
...3	CIS1	AA65-30105A	CLAMPER CORE-WIRE;ALL MODEL,NYLON 66,V2S	S.N.A	△	T401	AA26-50001R	TRANS-HORIZ.DRIVE;-,-,80MH,-,520UH,-		
...3	T0382	BP61-00509C	HOLDER-CARE;PJT,ACRYL-FOAM,T0.25,W20.0mS	S.N.A	...	T0296	AA27-00035A	COIL LINEARITY;-30UH,DR15X18,0.8MM,19X4		
..2	T0382	BP61-00495C	HOLDER-CARE;PJT,ACRYL-FOAM,T0.25,W30.0mS	S.N.A	...	L405	AA27-00286A	COIL CHOKE;1MH,CPTTV,1MH,10%,0.5OHM,1A,D		
<b>ASSY CPT</b>										
1	T0521	AA91-07401S	ASSY CPT;A68QCP693X500,0MG,29,SDI,MST	S.N.A	...	L808	AA27-10002L	COIL CHOKE;-24uH,K,-2A,-,24UH-K,10x10m		
△	..2	T0063	AA03-00400A	CRT COLOR;A68QCP693X500,0MG,1.1MH,14.9MH		△	LX801S	AA29-00012A	FILTER LINE NOISE;CS29A6PF8X/HAC,-,0.1MA	
..2	T0089	AA27-00318A	COIL DEGAUSSING;29,TXN2798HFX,10%,50T,4	S.N.A	△	LX802S	AA29-00012A	FILTER LINE NOISE;CS29A6PF8X/HAC,-,0.1MA		
..2	T0527	AA61-01373A	HOLDER-D COIL;29K5,NYLON 66	S.N.A	...	CIS3	AA40-00114A	TUNER;TECC0949F640B(S),PAL(CCIR),181CH,3		
..2	T0527	AA65-30017A	CLAMPER CORE-D.COIL;-NYLON-66,VO,-,NTR,	S.N.A	...	GT301	AA60-40012D	PIN-GT,ASSY;T1.6-6.12.5,-,NYLON66	S.N.A	
..2	T0603	AA98-70011A	ASSY TBC WIRE P;-29,NTSC,PAL,2P,UL1015#2	S.N.A	...	HC801	AA96-00475H	ASSY HEAT SINK P;SCREW,AA62-00057A,FJFA	S.N.A	
<b>ASSY CHASSIS</b>										
1	M0017	AA91-07555B	ASSY CHASSIS;CS29M6MNUX/XST,KS7A,GOLDR	S.N.A	...	H/S	0205-001154	OIL-SILICON;G746,-,-	S.N.A	
..2	M0014	AA94-13998D	ASSY PCB MAIN;CS29M6MNUX/XST,KS7A,GOLDRU	S.N.A	...	T0083	0402-001230	DIODE-RECTIFIER;FMG-G2CS,1000V,3A,DO-41,		
...	...	0202-001366	SOLDER-WIRE FLUX;-RS60S,D1.2.63Sn/37Pb,	S.N.A	...	T0083	0402-001374	DIODE-RECTIFIER;FFFP06U20S,200V,6A,TO-22		
					<p>...4 T0087 1203-001944 IC-POSI.FIXED REG.;78RM33,TO-220,3P,-,PL</p> <p>...4 M0081 6003-000334 SCREW-TAPTITE;RH,+,2S,M3,L6,ZPC(YEL),SWR S.N.A</p> <p>...4 H/S AA62-00066B HEAT SINK;D2,D3,AL,T1.0,89,70,-,AA62-00 S.N.A</p> <p>...3 Q401 AA96-00624H ASSY HEAT SINK P;SCREW,AA62-00057A,FJFA S.N.A</p> <p>...4 H/S 0205-001154 OIL-SILICON;G746,-,- S.N.A</p> <p>...4 T0090 0502-001263 TR-POWER;FJAF6810A,NPN,60000MW,TP-3PF(FO</p> <p>...4 M0081 6003-000333 SCREW-TAPTITE;RH,+,2S,M3,L10,ZPC(YEL),SW S.N.A</p> <p>...4 T0105 AA60-30001A WASHER-PLATE;M3,ID3.5,15X8.5,T1.0,SBHG S.N.A</p> <p>...4 T0175 AA62-00057A HEAT SINK-PS;-T1.0,-,41*20*60,D2,-, S.N.A</p> <p>...3 IC501 AA96-50311N ASSY HEAT SINK P;AA62-30175D,TDA6109JF,S S.N.A</p> <p>...4 T0074 1201-002114 IC-VIDEO AMP;TDA6109JF,SDIP,9P,18.5mm,-, S.N.A</p> <p>...4 M0081 6003-000334 SCREW-TAPTITE;RH,+,2S,M3,L6,ZPC(YEL),SWR S.N.A</p> <p>...4 T0175 AA62-30175D HEAT SINK-PS;-SECC,T1.0,-,33X15X30 FT-2 S.N.A</p> <p>...3 IC301 AA96-50381A ASSY HEAT SINK P;AA62-30180B,LA7845 S.N.A</p> <p>...4 0205-001153 GREASE-SILICON;SC102,JAPAN,- S.N.A</p> <p>...4 T0088 1204-000517 IC-VERTICAL DEF.;LA7845,SIP,7P,-,PLASTIC</p> <p>...4 M0081 6003-000333 SCREW-TAPTITE;RH,+,2S,M3,L10,ZPC(YEL),SW S.N.A</p> <p>...4 T0066 AA62-30180B HEAT SINK-ES;-A6063 EXTR.,2,WHT,70MM,-, S.N.A</p> <p>...3 AA97-14809D ASSY AUTO-MAIN;CS29M6MNUX/XST,KS7A,GOLS.N.A</p> <p>...4 CISS 0401-000005 DIODE-SWITCHING;1N4148,75V,150MA,DO-35,T</p> <p>...4 CISS 0401-000005 DIODE-SWITCHING;1N4148,75V,150MA,DO-35,T</p> <p>...4 CISS 0401-000005 DIODE-SWITCHING;1N4148,75V,150MA,DO-35,T</p>					





Loc. No.	Code No.	Description ; Specification	Remark	Loc. No.	Code No.	Description ; Specification	Remark
....4	R125	2001-000666	R-CARBON;330OHM,5%,1/8W,AA,TP,1.8X3.2MM	....4	R024	2004-001390	R-METAL(S);1Kohm,2%,1/2W,AA,TP,2.4x6.4mm
....4	R125	2001-000666	R-CARBON;330OHM,5%,1/8W,AA,TP,1.8X3.2MM	....4	R024	2004-001397	R-METAL(S);4.7Kohm,1%,1/2W,AA,TP,2.4x6.4
....4	R125	2001-000702	R-CARBON;39KOHM,5%,1/8W,AA,TP,1.8X3.2MM	....4	R024	2004-001889	R-METAL(S);127Kohm,1%,1/2W,AA,TP,2.5x6.5
....4	R125	2001-000702	R-CARBON;39KOHM,5%,1/8W,AA,TP,1.8X3.2MM	....4	R024	2004-001891	R-METAL(S);133Kohm,1%,1/2W,AA,TP,2.5x6.5
....4	R125	2001-000734	R-CARBON;4.7KOHM,5%,1/8W,AA,TP,1.8X3.2MM	....4	R024	2004-001983	R-METAL(S);2.49Kohm,1%,1/2W,AA,TP,2.4x6.4
....4	R125	2001-000734	R-CARBON;4.7KOHM,5%,1/8W,AA,TP,1.8X3.2MM	....4	R024	2004-001984	R-METAL(S);26.7Kohm,1%,1/2W,AA,TP,2.4x6.4
....4	R125	2001-000734	R-CARBON;4.7KOHM,5%,1/8W,AA,TP,1.8X3.2MM	....4	R024	2004-001986	R-METAL(S);35.7Kohm,1%,1/2W,AA,TP,2.4x6.4
....4	R125	2001-000734	R-CARBON;4.7KOHM,5%,1/8W,AA,TP,1.8X3.2MM	....4	R024	2004-004045	R-METAL(S);390ohm,1%,1/2W,AA,TP,2.5x6.5mm
....4	R125	2001-000734	R-CARBON;4.7KOHM,5%,1/8W,AA,TP,1.8X3.2MM	....4	R024	2004-005054	R-METAL(S);39KOHM,1%,1/2W,AA,TP,2.4X6.4MM
....4	R125	2001-000734	R-CARBON;4.7KOHM,5%,1/8W,AA,TP,1.8X3.2MM	....4	R024	2004-005059	R-METAL(S);2.7KOHM,1%,1/2W,AA,TP,6.4X2.4
....4	R125	2001-000734	R-CARBON;4.7KOHM,5%,1/8W,AA,TP,1.8X3.2MM	....4	R814	2005-001014	R-WIRE WOUND, NON:0.13ohm,5%,2W,AA,TP,3.8
....4	R125	2001-000734	R-CARBON;4.7KOHM,5%,1/8W,AA,TP,1.8X3.2MM	....4	R834	2008-000205	R-FUSIBLE(S);10ohm,5%,1/2W,AF,TP,2.5x6.5
....4	R125	2001-000734	R-CARBON;4.7KOHM,5%,1/8W,AA,TP,1.8X3.2MM	....4	R809B	2008-000206	R-FUSIBLE(S);1ohm,5%,1/2W,AF,TP,2.5x6.5mm
....4	R125	2001-000761	R-CARBON;430OHM,5%,1/8W,AA,TP,1.8X3.2MM	....4	R829	2008-000252	R-FUSIBLE(S);0.47ohm,10%,1/2W,AF,TP,2.5x
....4	R125	2001-000780	R-CARBON;470OHM,5%,1/8W,AA,TP,1.8X3.2MM	....4	R413	2008-000253	R-FUSIBLE(S);0.47ohm,5%,1W,AF,TP,3.9x10mm
....4	R125	2001-000780	R-CARBON;470OHM,5%,1/8W,AA,TP,1.8X3.2MM	....4	R516	2008-000254	R-FUSIBLE(S);0.68ohm,5%,2W,AF,TP,3.9x10mm
....4	R125	2001-000780	R-CARBON;470OHM,5%,1/8W,AA,TP,1.8X3.2MM	....4	R414	2008-000264	R-FUSIBLE(S);1ohm,5%,1W,AF,TP,3.9x10mm
....4	R125	2001-000780	R-CARBON;470OHM,5%,1/8W,AA,TP,1.8X3.2MM	....4	R825	2008-000284	R-FUSIBLE(S);0.10HM,10%,2W,AF,TP,3.9X10MM
....4	R125	2001-000780	R-CARBON;470OHM,5%,1/8W,AA,TP,1.8X3.2MM	....4	R827	2008-000284	R-FUSIBLE(S);0.10HM,10%,2W,AF,TP,3.9X10MM
....4	R125	2001-000832	R-CARBON;510OHM,5%,1/8W,AA,TP,1.8X3.2MM	....4	R304	2008-001015	R-FUSIBLE(S);1.5ohm,5%,2W,AF,TP,3.9x10mm
....4	R125	2001-000832	R-CARBON;510OHM,5%,1/8W,AA,TP,1.8X3.2MM	....4	R418	2008-001137	R-FUSIBLE(S);3.3ohm,5%,1W,AF,TP,3.9x10mm
....4	R125	2001-000832	R-CARBON;510OHM,5%,1/8W,AA,TP,1.8X3.2MM	....4	R828	2008-001138	R-FUSIBLE;2.4OHM,5%,1W,AF,TP,3.9X10MM
....4	R125	2001-000832	R-CARBON;510OHM,5%,1/8W,AA,TP,1.8X3.2MM	....4	R0251	2009-000021	R-METAL PLATE;0.33ohm,10%,5W,CL,TP,5X14x
....4	R125	2001-000832	R-CARBON;510OHM,5%,1/8W,AA,TP,1.8X3.2MM	....4	C598	2201-000132	C-CERAMIC,DISC;0.1NF,10%,500V,Y5P,TP,6.5
....4	R125	2001-000832	R-CARBON;510OHM,5%,1/8W,AA,TP,1.8X3.2MM	....4	C598	2201-000192	C-CERAMIC,DISC;0.022NF,5%,500V,COG,TP
....4	R125	2001-000869	R-CARBON;56OHM,5%,1/8W,AA,TP,1.8X3.2MM	....4	C598	2201-000291	C-CERAMIC,DISC;1NF,10%,500V,Y5P,TP,7.5X3
....4	R125	2001-000869	R-CARBON;56OHM,5%,1/8W,AA,TP,1.8X3.2MM	....4	C598	2201-000332	C-CERAMIC,DISC;2.2NF,20%,250V,Y5U,TP,9X4
....4	R125	2001-000869	R-CARBON;56OHM,5%,1/8W,AA,TP,1.8X3.2MM	....4	C598	2201-000332	C-CERAMIC,DISC;2.2NF,20%,250V,Y5U,TP,9X4
....4	R125	2001-000924	R-CARBON;680OHM,5%,1/8W,AA,TP,1.8X3.2MM	....4	C598	2201-000374	C-CERAMIC,DISC;0.22NF,5%,50V,COG,TP,10.5
....4	R125	2001-000969	R-CARBON;750OHM,5%,1/8W,AA,TP,1.8X3.2MM	....4	C598	2201-000389	C-CERAMIC,DISC;0.022NF,5%,50V,COG,TP,5X3
....4	R125	2001-000969	R-CARBON;750OHM,5%,1/8W,AA,TP,1.8X3.2MM	....4	C598	2201-000389	C-CERAMIC,DISC;0.022NF,5%,50V,COG,TP,5X3
....4	R125	2001-000969	R-CARBON;750OHM,5%,1/8W,AA,TP,1.8X3.2MM	....4	C598	2201-000406	C-CERAMIC,DISC;0.27NF,10%,2KV,Y5P,TP,6.3
....4	R125	2001-000969	R-CARBON;750OHM,5%,1/8W,AA,TP,1.8X3.2MM	....4	C598	2201-000556	C-CERAMIC,DISC;0.47NF,10%,500V,Y5P,TP,5
....4	R125	2001-000969	R-CARBON;750OHM,5%,1/8W,AA,TP,1.8X3.2MM	....4	C598	2201-000556	C-CERAMIC,DISC;0.47NF,10%,500V,Y5P,TP,5
....4	R125	2001-000969	R-CARBON;750OHM,5%,1/8W,AA,TP,1.8X3.2MM	....4	C598	2201-000556	C-CERAMIC,DISC;0.47NF,10%,500V,Y5P,TP,5
....4	R125	2001-000969	R-CARBON;750OHM,5%,1/8W,AA,TP,1.8X3.2MM	....4	C598	2201-000556	C-CERAMIC,DISC;0.47NF,10%,500V,Y5P,TP,5
....4	R125	2001-000977	R-CARBON;8.2KOHM,5%,1/8W,AA,TP,1.8X3.2MM	....4	C598	2201-000558	C-CERAMIC,DISC;0.47NF,10%,50V,Y5P,TP,5X3
....4	R125	2001-000977	R-CARBON;8.2KOHM,5%,1/8W,AA,TP,1.8X3.2MM	....4	C598	2201-000558	C-CERAMIC,DISC;0.47NF,10%,50V,Y5P,TP,5X3
....4	R125	2001-000995	R-CARBON;820OHM,5%,1/8W,AA,TP,1.8X3.2MM	....4	C598	2201-000599	C-CERAMIC,DISC;0.56NF,10%,500V,Y5P,TP,5
....4	R075	2001-001062	R-CARBON(S);10MOHM,5%,1/2W,AA,TP,2.4X6.4	....4	C598	2201-000723	C-CERAMIC,DISC;4.7NF,20%,3KV,Y5U,TP,16X5
....4	R075	2001-001070	R-CARBON(S);120OHM,5%,1/2W,AA,TP,2.4X6.4	....4	C689	2202-000121	C-CERAMIC,MLC-AXIAL;100pF,10%,50V,Y5P,TP
....4	R075	2001-001079	R-CARBON(S);15OHM,5%,1/2W,AA,TP,2.4X6.4MM	....4	C689	2202-000121	C-CERAMIC,MLC-AXIAL;100pF,10%,50V,Y5P,TP
....4	R075	2001-001088	R-CARBON(S);1KOHM,5%,1/2W,AA,TP,2.4X6.4MM	....4	C689	2202-000231	C-CERAMIC,MLC-AXIAL;0.33NF,10%,50V,Y5P,T
....4	R075	2001-001088	R-CARBON(S);1KOHM,5%,1/2W,AA,TP,2.4X6.4MM	....4	C689	2202-000231	C-CERAMIC,MLC-AXIAL;0.33NF,10%,50V,Y5P,T
....4	R075	2001-001088	R-CARBON(S);1KOHM,5%,1/2W,AA,TP,2.4X6.4MM	....4	C689	2202-000231	C-CERAMIC,MLC-AXIAL;0.33NF,10%,50V,Y5P,T
....4	R075	2001-001097	R-CARBON(S);2.4KOHM,5%,1/2W,AA,TP,2.4X6.4	....4	C689	2202-000231	C-CERAMIC,MLC-AXIAL;0.33NF,10%,50V,Y5P,T
....4	R075	2001-001107	R-CARBON(S);220ohm,5%,1/2W,AA,TP,2.4x6.4	....4	C689	2202-000231	C-CERAMIC,MLC-AXIAL;0.33NF,10%,50V,Y5P,T
....4	R075	2001-001114	R-CARBON(S);270OHM,5%,1/2W,AA,TP,2.4X6.4	....4	C689	2202-000231	C-CERAMIC,MLC-AXIAL;0.33NF,10%,50V,Y5P,T
....4	R075	2001-001115	R-CARBON(S);27KOHM,5%,1/2W,AA,TP,2.4X6.4	....4	C689	2202-000231	C-CERAMIC,MLC-AXIAL;0.33NF,10%,50V,Y5P,T
....4	R075	2001-001131	R-CARBON(S);33KOHM,5%,1/2W,AA,TP,2.4X6.4	....4	C689	2202-000231	C-CERAMIC,MLC-AXIAL;0.33NF,10%,50V,Y5P,T
....4	R075	2001-001150	R-CARBON(S);470KOHM,5%,1/2W,AA,TP,2.4X6.4	....4	C689	2202-000231	C-CERAMIC,MLC-AXIAL;0.33NF,10%,50V,Y5P,T
....4	R075	2001-001150	R-CARBON(S);470KOHM,5%,1/2W,AA,TP,2.4X6.4	....4	C689	2202-000231	C-CERAMIC,MLC-AXIAL;0.33NF,10%,50V,Y5P,T
....4	R075	2001-001152	R-CARBON(S);47KOHM,5%,1/2W,AA,TP,2.4X6.4	....4	C689	2202-000243	C-CERAMIC,MLC-AXIAL;33pF,5%,50V,SL,TP,3
....4	R075	2001-001168	R-CARBON(S);6.8KOHM,5%,1/2W,AA,TP,2.4X6.4	....4	C689	2202-000243	C-CERAMIC,MLC-AXIAL;33pF,5%,50V,SL,TP,3
....4	R0521	2002-000133	R-COMPOSITION;3.3Mohm,5%,1/2W,AA,TP,3.5x	....4	C689	2202-000243	C-CERAMIC,MLC-AXIAL;100pF,5%,50V,SL,TP,3
....4	R0521	2002-001012	R-COMPOSITION;8.2Mohm,5%,1/2W,AA,TP,3.7x	....4	C689	2202-000243	C-CERAMIC,MLC-AXIAL;33pF,5%,50V,SL,TP,3
....4	R426	2003-000540	R-METAL OXIDE(S);1Kohm,5%,2W,AF,TP,4x12m	....4	C689	2202-000796	C-CERAMIC,MLC-AXIAL;1NF,10%,50V,Y5P,TP,3
....4	R830	2003-000586	R-METAL OXIDE(S);22Kohm,5%,2W,AF,TP,4x12	....4	C689	2202-000796	C-CERAMIC,MLC-AXIAL;1NF,10%,50V,Y5P,TP,3
....4	R831	2003-000586	R-METAL OXIDE(S);22Kohm,5%,2W,AF,TP,4x12	....4	C689	2202-000796	C-CERAMIC,MLC-AXIAL;1NF,10%,50V,Y5P,TP,3
....4	R802	2003-000994	R-METAL OXIDE(S);33Kohm,5%,2W,AF,TP,3.9x	....4	C689	2202-000796	C-CERAMIC,MLC-AXIAL;1NF,10%,50V,Y5P,TP,3
....4	R803	2003-000994	R-METAL OXIDE(S);33Kohm,5%,2W,AF,TP,3.9x	....4	C689	2202-000796	C-CERAMIC,MLC-AXIAL;1NF,10%,50V,Y5P,TP,3
....4	R804	2003-000994	R-METAL OXIDE(S);33Kohm,5%,2W,AF,TP,3.9x	....4	C689	2202-000796	C-CERAMIC,MLC-AXIAL;1NF,10%,50V,Y5P,TP,3
....4	R423	2003-001042	R-METAL OXIDE(S);5.6Kohm,5%,2W,AF,TP,3.9	....4	C689	2202-000796	C-CERAMIC,MLC-AXIAL;1NF,10%,50V,Y5P,TP,3
....4	R835	2003-002020	R-METAL OXIDE(S);56Kohm,5%,2W,AF,TP,3.9x	....4	C689	2202-000796	C-CERAMIC,MLC-AXIAL;1NF,10%,50V,Y5P,TP,3
....4	R836	2003-002020	R-METAL OXIDE(S);56Kohm,5%,2W,AF,TP,3.9x	....4	C689	2202-000796	C-CERAMIC,MLC-AXIAL;1NF,10%,50V,Y5P,TP,3
....4	R310	2003-002150	R-METAL OXIDE;270OHM,5%,2W,AG,TP,6X16MM	....4	C689	2202-000796	C-CERAMIC,MLC-AXIAL;1NF,10%,50V,Y5P,TP,3
....4	R407	2003-002151	R-METAL OXIDE;18KOHM,5%,2W,AG,TP,6X16MM	....4	C689	2202-000796	C-CERAMIC,MLC-AXIAL;1NF,10%,50V,Y5P,TP,3
....4	R309	2003-002157	R-METAL OXIDE;220OHM,5%,2W,AG,TP,6X16MM	....4	C689	2202-000796	C-CERAMIC,MLC-AXIAL;1NF,10%,50V,Y5P,TP,3
....4	R350	2003-002238	R-METAL OXIDE(S);1.3OHM,5%,2W,AF,TP,3.9X	....4	C689	2202-000796	C-CERAMIC,MLC-AXIAL;1NF,10%,50V,Y5P,TP,3
....4	R420	2004-000412	R-METAL;18Kohm,1%,1/4W,AA,TP,2.4x6.4mm	....4	C689	2202-000796	C-CERAMIC,MLC-AXIAL;1NF,10%,50V,Y5P,TP,3
....4	RV225	2004-000433	R-METAL;1Kohm,1%,1/8W,AA,TP,1.8x3.2mm	....4	C689	2202-000796	C-CERAMIC,MLC-AXIAL;1NF,10%,50V,Y5P,TP,3
....4	RV909	2004-000869	R-METAL;3Kohm,1%,1/8W,AA,TP,1.8x3.2mm	....4	C689	2202-000796	C-CERAMIC,MLC-AXIAL;1NF,10%,50V,Y5P,TP,3
....4	R411	2004-000947	R-METAL;43Kohm,1%,1/4W,AA,TP,2.4x6.4mm	....4	C689	2202-000796	C-CERAMIC,MLC-AXIAL;1NF,10%,50V,Y5P,TP,3
....4	RV230	2004-001137	R-METAL;6.8Kohm,1%,1/8W,AA,TP,1.8x3.2mm	....4	C689	2202-000849	C-CERAMIC,MLC-AXIAL;0.018NF,5%,50V,COG,TP
....4	R024	2004-001382	R-METAL(S);13Kohm,1%,1/2W,AA,TP,2.4x6.4mm	....4	C689	2202-000863	C-CERAMIC,MLC-AXIAL;560pF,10%,50V,Y5P,TP
....4	R024	2004-001382	R-METAL(S);13Kohm,1%,1/2W,AA,TP,2.4x6.4mm	....4	C689	2202-002009	C-CERAMIC,MLC-AXIAL;100NF,+80-20%,50V,Y5

Loc. No.	Code No.	Description ; Specification	Remark	Loc. No.	Code No.	Description ; Specification	Remark
....4	C689	2202-002009	C-CERAMIC,MLC-AXIAL;100nF,+80-20%,50V,Y5	....4	C701	2401-002597	C-AL;220uF,20%,35V,GP,TP,10x12.5,5
....4	C689	2202-002037	C-CERAMIC,MLC-AXIAL;100nF,80-20%,50V,Y5V	....4	C701	2401-002619	C-AL;47uF,20%,25V,GP,TP,5x11,5
....4	C689	2202-002037	C-CERAMIC,MLC-AXIAL;100nF,80-20%,50V,Y5V	....4	C701	2401-002619	C-AL;47uF,20%,25V,GP,TP,5x11,5
....4	C689	2202-002037	C-CERAMIC,MLC-AXIAL;100nF,80-20%,50V,Y5V	....4	C701	2401-002619	C-AL;47uF,20%,25V,GP,TP,5x11,5
....4	C689	2202-002037	C-CERAMIC,MLC-AXIAL;100nF,80-20%,50V,Y5V	....4	C701	2401-002619	C-AL;47uF,20%,25V,GP,TP,5x11,5
....4	C2560	2301-000192	C-FILM,LEAD-PEF;1nF,5%,50V,TP,5.3x10mm,5	....4	C701	2401-002619	C-AL;47uF,20%,25V,GP,TP,5x11,5
....4	C2560	2301-000224	C-FILM,LEAD-PEF;22nF,5%,50V,TP,7.4x3.9x1	....4	C701	2401-002619	C-AL;47uF,20%,25V,GP,TP,5x11,5
....4	C2560	2301-000224	C-FILM,LEAD-PEF;22nF,5%,50V,TP,7.4x3.9x1	....4	C701	2401-002619	C-AL;47uF,20%,25V,GP,TP,5x11,5
....4	C2560	2301-000342	C-FILM,LEAD-PEF;2.2nF,5%,50V,TP,7.4x3.9x	....4	C701	2401-002619	C-AL;47uF,20%,25V,GP,TP,5x11,5
....4	C2560	2301-000356	C-FILM,LEAD-PEF;47nF,5%,50V,TP,7.5x4.0x6	....4	C701	2401-002619	C-AL;47uF,20%,25V,GP,TP,5x11,5
....4	C2560	2301-000383	C-FILM,LEAD-PEF;10nF,5%,50V,TP,6x7x3.2mm	....4	C701	2401-002619	C-AL;47uF,20%,25V,GP,TP,5x11,5
....4	C2560	2301-000383	C-FILM,LEAD-PEF;10nF,5%,50V,TP,6x7x3.2mm	....4	C701	2401-002619	C-AL;47uF,20%,25V,GP,TP,5x11,5
....4	C2560	2301-000383	C-FILM,LEAD-PEF;10nF,5%,50V,TP,6x7x3.2mm	....4	C701	2401-002619	C-AL;47uF,20%,25V,GP,TP,5x11,5
....4	CV223B	2301-001211	C-FILM,LEAD-PPF;22nF,5%,400V,TP,20x7x14,	....4	C701	2401-003578	C-AL;1000uF,20%,10V,GP,TP,8x20mm,5
....4	C807	2301-001342	C-FILM,LEAD-PPF;1.5nF,5%,800V,TP,15x6.5x	....4	C701	2401-003578	C-AL;1000uF,20%,10V,GP,TP,8x20mm,5
△	CR404S	2303-001001	C-FILM,LEAD-PPF;22nF,5%,630V,TP,18x14.5x	....4	J105	2701-000114	INDUCTOR-AXIAL;10UH,10%,2534
....4	C2560	2305-000237	C-FILM,LEAD-PEF;1uF,5%,63V,TP,7.5x15.5mm	....4	J243	2701-000114	INDUCTOR-AXIAL;10UH,10%,2534
....4	C2560	2305-000285	C-FILM,LEAD-PEF;220nF,5%,100V,TP,10.5X5.	....4	LV101	2701-000114	INDUCTOR-AXIAL;10UH,10%,2534
....4	C2560	2305-000289	C-FILM,LEAD-PEF;220nF,5%,63V,TP,-5mm	....4	LV110	2701-000114	INDUCTOR-AXIAL;10UH,10%,2534
....4	C2560	2305-000289	C-FILM,LEAD-PEF;220nF,5%,63V,TP,-5mm	....4	LV199	2701-000114	INDUCTOR-AXIAL;10UH,10%,2534
....4	C2560	2305-000382	C-FILM,LEAD-PEF;4.7nF,5%,400V,TP,-5mm	....4	LV252A	2701-000114	INDUCTOR-AXIAL;10UH,10%,2534
....4	C2560	2305-000411	C-FILM,LEAD-PEF;470nF,5%,50V,TP,7.3x4.8x	....4	LV252B	2701-000114	INDUCTOR-AXIAL;10UH,10%,2534
....4	C2560	2305-000411	C-FILM,LEAD-PEF;470nF,5%,50V,TP,7.3x4.8x	....4	LV204	2701-000115	INDUCTOR-AXIAL;10UH,10%,3070
....4	C2560	2305-000411	C-FILM,LEAD-PEF;470nF,5%,50V,TP,7.3x4.8x	....4	L104	2701-000116	INDUCTOR-AXIAL;10UH,10%,4298
....4	C2560	2305-000411	C-FILM,LEAD-PEF;470nF,5%,50V,TP,7.3x4.8x	....4	LV904	2701-000116	INDUCTOR-AXIAL;10UH,10%,4298
....4	C2560	2305-000412	C-FILM,LEAD-PEF;470nF,5%,63V,TP,-5mm	....4	L825	2701-000142	INDUCTOR-AXIAL;1UH,10%,2534
....4	C2560	2305-000412	C-FILM,LEAD-PEF;470nF,5%,63V,TP,-5mm	....4	LV701	2701-000142	INDUCTOR-AXIAL;1UH,10%,2534
....4	C2560	2305-000412	C-FILM,LEAD-PEF;470nF,5%,63V,TP,-5mm	....4	LV702	2701-000142	INDUCTOR-AXIAL;1UH,10%,2534
....4	C2560	2305-000412	C-FILM,LEAD-PEF;470nF,5%,63V,TP,-5mm	....4	LV703	2701-000142	INDUCTOR-AXIAL;1UH,10%,2534
....4	C2560	2305-000624	C-FILM,LEAD-PEF;330nF,10%,100V,TP,-5mm	....4	LV201	2701-000143	INDUCTOR-AXIAL;1UH,10%,3070
....4	C2560	2305-000665	C-FILM,LEAD-PEF;100nF,5%,63V,TP,7.5x4.0x	....4	LV202	2701-000143	INDUCTOR-AXIAL;1UH,10%,3070
....4	C2560	2305-000665	C-FILM,LEAD-PEF;100nF,5%,63V,TP,7.5x4.0x	....4	LV203	2701-000143	INDUCTOR-AXIAL;1UH,10%,3070
....4	C2560	2305-000665	C-FILM,LEAD-PEF;100nF,5%,63V,TP,7.5x4.0x	....4	LV901	2701-000143	INDUCTOR-AXIAL;1UH,10%,3070
....4	C2560	2305-000665	C-FILM,LEAD-PEF;100nF,5%,63V,TP,7.5x4.0x	....4	LV905	2701-000158	INDUCTOR-AXIAL;22UH,10%,2534
....4	C2560	2305-000665	C-FILM,LEAD-PEF;100nF,5%,63V,TP,7.5x4.0x	....4	LV205	2701-000159	INDUCTOR-AXIAL;22UH,10%,4298
....4	C2560	2305-001037	C-FILM,LEAD-PEF;330nF,5%,63V,TP,7.5x5.5x	....4	L607	2701-000177	INDUCTOR-AXIAL;33UH,10%,2534
....4	C2560	2305-001037	C-FILM,LEAD-PEF;330nF,5%,63V,TP,7.5x5.5x	....4	L608	2701-000177	INDUCTOR-AXIAL;33UH,10%,2534
....4	C2560	2305-001037	C-FILM,LEAD-PEF;330nF,5%,63V,TP,7.5x5.5x	....4	L701	2701-000177	INDUCTOR-AXIAL;33UH,10%,2534
....4	CV101	2306-000122	C-FILM,LEAD-PPF;100nF,5%,50V,TP,7.3x4.0x	....4	L702	2701-000177	INDUCTOR-AXIAL;33UH,10%,2534
....4	C701	2401-000025	C-AL;100uF,20%,16V,GP,TP,6.3x11,5	....4	L705	2701-000177	INDUCTOR-AXIAL;33UH,10%,2534
....4	C701	2401-000025	C-AL;100uF,20%,16V,GP,TP,6.3x11,5	....4	L706	2701-000177	INDUCTOR-AXIAL;33UH,10%,2534
....4	C701	2401-000025	C-AL;100uF,20%,16V,GP,TP,6.3x11,5	....4	LV206	2701-000184	INDUCTOR-AXIAL;4.7UH,10%,2534
....4	C701	2401-000360	C-AL;100uF,20%,50V,GP,TP,8x11.5,5	....4	LV102	2701-000202	INDUCTOR-AXIAL;0.56UH,10%,2534
....4	C701	2401-000365	C-AL;100uF,20%,50V,WT,TP,10x12.5mm,	....4	L303B	2701-001040	INDUCTOR-AXIAL;10UH,10%,4514
....4	C701	2401-000430	C-AL;10uF,20%,250V,GP,TP,10x16mm,5m	....4	LV252	2702-001094	INDUCTOR-RADIAL;10UH,10%,4x6mm
....4	C701	2401-000430	C-AL;10uF,20%,250V,GP,TP,10x16mm,5m	....4	F101	2901-000297	FILTER-EMI ON BOARD;-,3A,-,-,3.5x5,TP,-
....4	C701	2401-000493	C-AL;10uF,20%,50V,LZ,TP,5x11mm,5mm	....4	F101	2901-000297	FILTER-EMI ON BOARD;-,3A,-,-,3.5x5,TP,-
....4	C701	2401-000603	C-AL;1uF,20%,50V,GP,TP,5X11,2	....4	L2514	3301-000287	BEAD-AXIAL;-,3.5x1.0x6.0mm,3000mA,TP,,50
....4	C701	2401-000603	C-AL;1uF,20%,50V,GP,TP,5X11,2	....4	L2514	3301-000287	BEAD-AXIAL;-,3.5x1.0x6.0mm,3000mA,TP,,50
....4	C701	2401-000947	C-AL;22uF,20%,35V,GP,TP,5x11,5	....4	L2514	3301-000287	BEAD-AXIAL;-,3.5x1.0x6.0mm,3000mA,TP,,50
....4	C701	2401-001026	C-AL;3.3UF,20%,50V,GP,TP,5X11,5	....4	L2514	3301-000287	BEAD-AXIAL;-,3.5x1.0x6.0mm,3000mA,TP,,50
....4	C701	2401-001397	C-AL;470uF,20%,25V,GP,TP,10x16,5	....4	L2514	3301-000287	BEAD-AXIAL;-,3.5x1.0x6.0mm,3000mA,TP,,50
....4	C701	2401-001513	C-AL;47uF,20%,16V,WT,TP,5x11,5	....4	L2514	3301-000287	BEAD-AXIAL;-,3.5x1.0x6.0mm,3000mA,TP,,50
....4	C701	2401-001527	C-AL;47uF,20%,250V,HR,TP,13x25mm,5m	....4	L2514	3301-000287	BEAD-AXIAL;-,3.5x1.0x6.0mm,3000mA,TP,,50
....4	C701	2401-001914	C-AL;1uF,20%,50V,BP,TP,5x11,5	....4	L2514	3301-000287	BEAD-AXIAL;-,3.5x1.0x6.0mm,3000mA,TP,,50
....4	C701	2401-001914	C-AL;1uF,20%,50V,BP,TP,5x11,5	....4	L2514	3301-000287	BEAD-AXIAL;-,3.5x1.0x6.0mm,3000mA,TP,,50
....4	C701	2401-001989	C-AL;4.7uF,20%,50V,BP,TP,5x11,5	....4	L2514	3301-000287	BEAD-AXIAL;-,3.5x1.0x6.0mm,3000mA,TP,,50
....4	C701	2401-001989	C-AL;4.7uF,20%,50V,BP,TP,5x11,5	....4	L2514	3301-000287	BEAD-AXIAL;-,3.5x1.0x6.0mm,3000mA,TP,,50
....4	C701	2401-001989	C-AL;4.7uF,20%,50V,BP,TP,5x11,5	....4	L2514	3301-000287	BEAD-AXIAL;-,3.5x1.0x6.0mm,3000mA,TP,,50
....4	C701	2401-001989	C-AL;4.7uF,20%,50V,BP,TP,5x11,5	....4	L2514	3301-000287	BEAD-AXIAL;-,3.5x1.0x6.0mm,3000mA,TP,,50
....4	C701	2401-001989	C-AL;4.7uF,20%,50V,BP,TP,5x11,5	....4	L2514	3301-000287	BEAD-AXIAL;-,3.5x1.0x6.0mm,3000mA,TP,,50
....4	C701	2401-001989	C-AL;4.7uF,20%,50V,BP,TP,5x11,5	....4	L2514	3301-000287	BEAD-AXIAL;-,3.5x1.0x6.0mm,3000mA,TP,,50
....4	C701	2401-001989	C-AL;4.7uF,20%,50V,BP,TP,5x11,5	....4	L2514	3301-000287	BEAD-AXIAL;-,3.5x1.0x6.0mm,3000mA,TP,,50
....4	C701	2401-001989	C-AL;4.7uF,20%,50V,BP,TP,5x11,5	....4	L2514	3301-000287	BEAD-AXIAL;-,3.5x1.0x6.0mm,3000mA,TP,,50
....4	C701	2401-001989	C-AL;4.7uF,20%,50V,BP,TP,5x11,5	....4	L2514	3301-000287	BEAD-AXIAL;-,3.5x1.0x6.0mm,3000mA,TP,,50
....4	C701	2401-001989	C-AL;4.7uF,20%,50V,BP,TP,5x11,5	....4	L2514	3301-000287	BEAD-AXIAL;-,3.5x1.0x6.0mm,3000mA,TP,,50
....4	C701	2401-002075	C-AL;4.7uF,20%,50V,GP,TP,5x11,5	....4	FD802S	3601-001163	FUSE-AXIAL LEAD;125V,7A,-,EPOXY,2.4X7.1M
....4	C701	2401-002075	C-AL;4.7uF,20%,50V,GP,TP,5x11,5	△	FD801S	3601-001228	FUSE-AXIAL LEAD;125V,10A,FAST-ACTING,EPO
....4	C701	2401-002075	C-AL;4.7uF,20%,50V,GP,TP,5x11,5	....4	F801A	3602-000114	FUSE-HOLDER;-,30mohm
....4	C701	2401-002075	C-AL;4.7uF,20%,50V,GP,TP,5x11,5	....4	F801B	3602-000114	FUSE-HOLDER;-,30mohm
....4	C701	2401-002144	C-AL;47uF,20%,16V,GP,TP,5x11,5	....4	CN906	3711-002644	CONNECTOR-HEADER;BOX,5P,1R,2.5mm,STRAIGH
....4	C701	2401-002144	C-AL;47uF,20%,16V,GP,TP,5x11,5	....4	CN906	3711-002645	CONNECTOR-HEADER;BOX,6P,1R,2.5mm,STRAIGH
....4	C701	2401-002144	C-AL;47uF,20%,16V,GP,TP,5x11,5	....4	CN906	3711-002647	CONNECTOR-HEADER;BOX,8P,1R,2.5mm,STRAIGH
....4	C701	2401-002215	C-AL;2200uF,20%,25V,WT,TP,13x25,5	....4	T0310	4715-001036	SURGE ABSORBER;500V,20%,-,TP
....4	C701	2401-002215	C-AL;2200uF,20%,25V,WT,TP,13x25,5	....4	EL501	6042-000001	EYELET;ID2.2,OD2.7,L3.1,NI+SN,BSP3-1/2H
....4	C701	2401-002268	C-AL;2.2uF,20%,250V,LZ,TP,8X11,5	....4	EL502	6042-000001	EYELET;ID2.2,OD2.7,L3.1,NI+SN,BSP3-1/2H
....4	C701	2401-002288	C-AL;470uF,20%,25V,WT,TP,10x20,5	....4	EL800	6042-000001	EYELET;ID2.2,OD2.7,L3.1,NI+SN,BSP3-1/2H
....4	C701	2401-002463	C-AL;470uF,20%,16V,GP,TP,8x11.5,5	....4	EL801	6042-000001	EYELET;ID2.2,OD2.7,L3.1,NI+SN,BSP3-1/2H
....4	C701	2401-002594	C-AL;220uF,20%,16V,GP,TP,8x11.5,5	....4	EL803	6042-000001	EYELET;ID2.2,OD2.7,L3.1,NI+SN,BSP3-1/2H

Loc. No.	Code No.	Description ; Specification	Remark	Loc. No.	Code No.	Description ; Specification	Remark
....4	EL804	6042-000001 EYELET;ID2.2,OD2.7,L3.1,NI+SN,BSP3-1/2H	S.N.A	....4	EY863	6042-000002 EYELET;ID1.5,OD2.L2.8,NI+SN,BSP3-1/2H	S.N.A
....4	EL805	6042-000001 EYELET;ID2.2,OD2.7,L3.1,NI+SN,BSP3-1/2H	S.N.A	....4	EY864	6042-000002 EYELET;ID1.5,OD2.L2.8,NI+SN,BSP3-1/2H	S.N.A
....4	EL806	6042-000001 EYELET;ID2.2,OD2.7,L3.1,NI+SN,BSP3-1/2H	S.N.A	....4	EY865	6042-000002 EYELET;ID1.5,OD2.L2.8,NI+SN,BSP3-1/2H	S.N.A
....4	EL807	6042-000001 EYELET;ID2.2,OD2.7,L3.1,NI+SN,BSP3-1/2H	S.N.A	....4	EY866	6042-000002 EYELET;ID1.5,OD2.L2.8,NI+SN,BSP3-1/2H	S.N.A
....4	EL808	6042-000001 EYELET;ID2.2,OD2.7,L3.1,NI+SN,BSP3-1/2H	S.N.A	....4	EY867	6042-000002 EYELET;ID1.5,OD2.L2.8,NI+SN,BSP3-1/2H	S.N.A
....4	EL809	6042-000001 EYELET;ID2.2,OD2.7,L3.1,NI+SN,BSP3-1/2H	S.N.A	....4	EY869	6042-000002 EYELET;ID1.5,OD2.L2.8,NI+SN,BSP3-1/2H	S.N.A
....4	EL810	6042-000001 EYELET;ID2.2,OD2.7,L3.1,NI+SN,BSP3-1/2H	S.N.A	....4	EY870	6042-000002 EYELET;ID1.5,OD2.L2.8,NI+SN,BSP3-1/2H	S.N.A
....4	EL857	6042-000001 EYELET;ID2.2,OD2.7,L3.1,NI+SN,BSP3-1/2H	S.N.A	....4	EY871	6042-000002 EYELET;ID1.5,OD2.L2.8,NI+SN,BSP3-1/2H	S.N.A
....4	EL868	6042-000001 EYELET;ID2.2,OD2.7,L3.1,NI+SN,BSP3-1/2H	S.N.A	....4	EY872	6042-000002 EYELET;ID1.5,OD2.L2.8,NI+SN,BSP3-1/2H	S.N.A
....4	EY981	6042-000001 EYELET;ID2.2,OD2.7,L3.1,NI+SN,BSP3-1/2H	S.N.A	....4	EY873	6042-000002 EYELET;ID1.5,OD2.L2.8,NI+SN,BSP3-1/2H	S.N.A
....4	EY986	6042-000001 EYELET;ID2.2,OD2.7,L3.1,NI+SN,BSP3-1/2H	S.N.A	....4	EY874	6042-000002 EYELET;ID1.5,OD2.L2.8,NI+SN,BSP3-1/2H	S.N.A
....4	ET984	6042-000002 EYELET;ID1.5,OD2.L2.8,NI+SN,BSP3-1/2H	S.N.A	....4	EY875	6042-000002 EYELET;ID1.5,OD2.L2.8,NI+SN,BSP3-1/2H	S.N.A
....4	EY400	6042-000002 EYELET;ID1.5,OD2.L2.8,NI+SN,BSP3-1/2H	S.N.A	....4	EY876	6042-000002 EYELET;ID1.5,OD2.L2.8,NI+SN,BSP3-1/2H	S.N.A
....4	EY401	6042-000002 EYELET;ID1.5,OD2.L2.8,NI+SN,BSP3-1/2H	S.N.A	....4	EY878	6042-000002 EYELET;ID1.5,OD2.L2.8,NI+SN,BSP3-1/2H	S.N.A
....4	EY600	6042-000002 EYELET;ID1.5,OD2.L2.8,NI+SN,BSP3-1/2H	S.N.A	....4	EY879	6042-000002 EYELET;ID1.5,OD2.L2.8,NI+SN,BSP3-1/2H	S.N.A
....4	EY601	6042-000002 EYELET;ID1.5,OD2.L2.8,NI+SN,BSP3-1/2H	S.N.A	....4	EY898	6042-000002 EYELET;ID1.5,OD2.L2.8,NI+SN,BSP3-1/2H	S.N.A
....4	EY602	6042-000002 EYELET;ID1.5,OD2.L2.8,NI+SN,BSP3-1/2H	S.N.A	....4	EY899	6042-000002 EYELET;ID1.5,OD2.L2.8,NI+SN,BSP3-1/2H	S.N.A
....4	EY603	6042-000002 EYELET;ID1.5,OD2.L2.8,NI+SN,BSP3-1/2H	S.N.A	....4	EY982	6042-000002 EYELET;ID1.5,OD2.L2.8,NI+SN,BSP3-1/2H	S.N.A
....4	EY800	6042-000002 EYELET;ID1.5,OD2.L2.8,NI+SN,BSP3-1/2H	S.N.A	....4	EY983	6042-000002 EYELET;ID1.5,OD2.L2.8,NI+SN,BSP3-1/2H	S.N.A
....4	EY801	6042-000002 EYELET;ID1.5,OD2.L2.8,NI+SN,BSP3-1/2H	S.N.A	....4	EY985	6042-000002 EYELET;ID1.5,OD2.L2.8,NI+SN,BSP3-1/2H	S.N.A
....4	EY802	6042-000002 EYELET;ID1.5,OD2.L2.8,NI+SN,BSP3-1/2H	S.N.A	....4	CN909	AA37-00001A CONNECTOR-FBT FIX PIN;JM-3500,CPTTV,0.36	
....4	EY803	6042-000002 EYELET;ID1.5,OD2.L2.8,NI+SN,BSP3-1/2H	S.N.A	....4	CN909	AA37-00001A CONNECTOR-FBT FIX PIN;JM-3500,CPTTV,0.36	
....4	EY804	6042-000002 EYELET;ID1.5,OD2.L2.8,NI+SN,BSP3-1/2H	S.N.A	....4	GT404	AA60-40014A PIN-GT,ASSY:AUTO	S.N.A
....4	EY805	6042-000002 EYELET;ID1.5,OD2.L2.8,NI+SN,BSP3-1/2H	S.N.A	....4	GT501	AA60-40014A PIN-GT,ASSY:AUTO	S.N.A
....4	EY806	6042-000002 EYELET;ID1.5,OD2.L2.8,NI+SN,BSP3-1/2H	S.N.A	....4	GT502	AA60-40014A PIN-GT,ASSY:AUTO	S.N.A
....4	EY807	6042-000002 EYELET;ID1.5,OD2.L2.8,NI+SN,BSP3-1/2H	S.N.A	....4	GT503	AA60-40014A PIN-GT,ASSY:AUTO	S.N.A
....4	EY808	6042-000002 EYELET;ID1.5,OD2.L2.8,NI+SN,BSP3-1/2H	S.N.A	....4	GT801	AA60-40014A PIN-GT,ASSY:AUTO	S.N.A
....4	EY809	6042-000002 EYELET;ID1.5,OD2.L2.8,NI+SN,BSP3-1/2H	S.N.A	....4	GT802	AA60-40014A PIN-GT,ASSY:AUTO	S.N.A
....4	EY810	6042-000002 EYELET;ID1.5,OD2.L2.8,NI+SN,BSP3-1/2H	S.N.A	....4	GT803	AA60-40014A PIN-GT,ASSY:AUTO	S.N.A
....4	EY811	6042-000002 EYELET;ID1.5,OD2.L2.8,NI+SN,BSP3-1/2H	S.N.A	....4	GT804	AA60-40014A PIN-GT,ASSY:AUTO	S.N.A
....4	EY812	6042-000002 EYELET;ID1.5,OD2.L2.8,NI+SN,BSP3-1/2H	S.N.A	....4	GT805	AA60-40014A PIN-GT,ASSY:AUTO	S.N.A
....4	EY813	6042-000002 EYELET;ID1.5,OD2.L2.8,NI+SN,BSP3-1/2H	S.N.A	....4	GT806	AA60-40014A PIN-GT,ASSY:AUTO	S.N.A
....4	EY814	6042-000002 EYELET;ID1.5,OD2.L2.8,NI+SN,BSP3-1/2H	S.N.A	....4	GTT01	AA60-40014A PIN-GT,ASSY:AUTO	S.N.A
....4	EY815	6042-000002 EYELET;ID1.5,OD2.L2.8,NI+SN,BSP3-1/2H	S.N.A	....4	GTT02	AA60-40014A PIN-GT,ASSY:AUTO	S.N.A
....4	EY816	6042-000002 EYELET;ID1.5,OD2.L2.8,NI+SN,BSP3-1/2H	S.N.A	....4	GTT03	AA60-40014A PIN-GT,ASSY:AUTO	S.N.A
....4	EY817	6042-000002 EYELET;ID1.5,OD2.L2.8,NI+SN,BSP3-1/2H	S.N.A	....4	GTT06	AA60-40014A PIN-GT,ASSY:AUTO	S.N.A
....4	EY818	6042-000002 EYELET;ID1.5,OD2.L2.8,NI+SN,BSP3-1/2H	S.N.A	....4	GTT07	AA60-40014A PIN-GT,ASSY:AUTO	S.N.A
....4	EY819	6042-000002 EYELET;ID1.5,OD2.L2.8,NI+SN,BSP3-1/2H	S.N.A	....4	R0521	2002-001008 R-COMPOSITION;1.8Kohm,10%,1/2W,AA,TP,3.7	
....4	EY820	6042-000002 EYELET;ID1.5,OD2.L2.8,NI+SN,BSP3-1/2H	S.N.A	....4	R0521	2002-001008 R-COMPOSITION;1.8Kohm,10%,1/2W,AA,TP,3.7	
....4	EY821	6042-000002 EYELET;ID1.5,OD2.L2.8,NI+SN,BSP3-1/2H	S.N.A	....4	R0521	2002-001008 R-COMPOSITION;1.8Kohm,10%,1/2W,AA,TP,3.7	
....4	EY822	6042-000002 EYELET;ID1.5,OD2.L2.8,NI+SN,BSP3-1/2H	S.N.A	....4	R125	2001-000244 R-CARBON;1.5MOHM,5%,1/8W,AA,TP,1.8X3.2MM	
....4	EY823	6042-000002 EYELET;ID1.5,OD2.L2.8,NI+SN,BSP3-1/2H	S.N.A	....4	LX085	AA27-90001B COIL-SPARK,GAP;S-23,1.5KV,-,-,-,-,-,-,-,-,-,-	
....4	EY824	6042-000002 EYELET;ID1.5,OD2.L2.8,NI+SN,BSP3-1/2H	S.N.A	....4	LX085	AA27-90001B COIL-SPARK,GAP;S-23,1.5KV,-,-,-,-,-,-,-,-,-,-	
....4	EY825	6042-000002 EYELET;ID1.5,OD2.L2.8,NI+SN,BSP3-1/2H	S.N.A	....4	R075	2001-001187 R-CARBON(S);75OHM,5%,1/2W,AA,TP,2.4X6.4MM	
....4	EY826	6042-000002 EYELET;ID1.5,OD2.L2.8,NI+SN,BSP3-1/2H	S.N.A	....4	R125	2001-000878 R-CARBON;6.2KOHM,5%,1/8W,AA,TP,1.8X3.2MM	
....4	EY827	6042-000002 EYELET;ID1.5,OD2.L2.8,NI+SN,BSP3-1/2H	S.N.A	....4	R898	2008-001076 R-FUSIBLE(S);1.8ohm,5%,2W,AF,TP,3.9x10mm	
....4	EY828	6042-000002 EYELET;ID1.5,OD2.L2.8,NI+SN,BSP3-1/2H	S.N.A	....4	R899	2008-001076 R-FUSIBLE(S);1.8ohm,5%,2W,AF,TP,3.9x10mm	
....4	EY829	6042-000002 EYELET;ID1.5,OD2.L2.8,NI+SN,BSP3-1/2H	S.N.A	....4	T0077	AA41-00826F PCB MAIN;CS29M6,FR-1,1L,00,1.6T,245*330,	S.N.A
....4	EY830	6042-000002 EYELET;ID1.5,OD2.L2.8,NI+SN,BSP3-1/2H	S.N.A	....4	F101	2901-000299 FILTER-EMI ON BOARD;-;6A,UL/CSA,-,9x7,5	
....4	EY834	6042-000002 EYELET;ID1.5,OD2.L2.8,NI+SN,BSP3-1/2H	S.N.A	....3	Q801	AA96-00624G ASSY HEAT SINK P;SCREW,AA62-00057B,FQP63	S.N.A
....4	EY835	6042-000002 EYELET;ID1.5,OD2.L2.8,NI+SN,BSP3-1/2H	S.N.A	....4	H/S	0205-001154 OIL-SILICON;G746,-,-	S.N.A
....4	EY836	6042-000002 EYELET;ID1.5,OD2.L2.8,NI+SN,BSP3-1/2H	S.N.A	....4	Q409	0505-001723 FET-SILICON;FOP630TSTU,N,200V,9A,0.4OHM,	
....4	EY837	6042-000002 EYELET;ID1.5,OD2.L2.8,NI+SN,BSP3-1/2H	S.N.A	....4	M0081	6003-000333 SCREW-TAPTITE;RH,+;2S,M3,L10,ZPC(YEL),SW	S.N.A
....4	EY838	6042-000002 EYELET;ID1.5,OD2.L2.8,NI+SN,BSP3-1/2H	S.N.A	....4	T0105	AA60-30001A WASHER-PLATE;M3,ID3.5,15X8.5,T1.0,SBHG	S.N.A
....4	EY839	6042-000002 EYELET;ID1.5,OD2.L2.8,NI+SN,BSP3-1/2H	S.N.A	....4	T0175	AA62-00057B HEAT SINK-PS;CT-29K12P,A1050S,1.0,41,60	S.N.A
....4	EY840	6042-000002 EYELET;ID1.5,OD2.L2.8,NI+SN,BSP3-1/2H	S.N.A	....3	IC801S	AA96-50371L ASSY HEAT SINK P;STR-X6757,SCREW,AA62-30	S.N.A
....4	EY841	6042-000002 EYELET;ID1.5,OD2.L2.8,NI+SN,BSP3-1/2H	S.N.A	....4	CIS	0205-001154 OIL-SILICON;G746,-,-	S.N.A
....4	EY842	6042-000002 EYELET;ID1.5,OD2.L2.8,NI+SN,BSP3-1/2H	S.N.A	....4	M0081	6003-000333 SCREW-TAPTITE;RH,+;2S,M3,L10,ZPC(YEL),SW	S.N.A
....4	EY843	6042-000002 EYELET;ID1.5,OD2.L2.8,NI+SN,BSP3-1/2H	S.N.A	....4	IC063	AA13-00109A IC HYBRID;STR-X6757,CS29K10PF,7,-20 to +	
....4	EY844	6042-000002 EYELET;ID1.5,OD2.L2.8,NI+SN,BSP3-1/2H	S.N.A	....4	T0066	AA62-30181H HEAT SINK-ES;-;AL6063 EXTR.,2,WHT,50MM,-	S.N.A
....4	EY845	6042-000002 EYELET;ID1.5,OD2.L2.8,NI+SN,BSP3-1/2H	S.N.A	....3	IC602	BP96-00418A ASSY HEAT SINK P;AA62-30182F,SCREW,TDA72	S.N.A
....4	EY846	6042-000002 EYELET;ID1.5,OD2.L2.8,NI+SN,BSP3-1/2H	S.N.A	....4	CIS	0205-001154 OIL-SILICON;G746,-,-	S.N.A
....4	EY847	6042-000002 EYELET;ID1.5,OD2.L2.8,NI+SN,BSP3-1/2H	S.N.A	....4	T0124	1201-001064 IC-POWER AMP;7297,ZIP,15P,-,DUAL,32dB,PL	
....4	EY848	6042-000002 EYELET;ID1.5,OD2.L2.8,NI+SN,BSP3-1/2H	S.N.A	....4	M0081	6003-000333 SCREW-TAPTITE;RH,+;2S,M3,L8,ZPC(YEL),SWR	S.N.A
....4	EY849	6042-000002 EYELET;ID1.5,OD2.L2.8,NI+SN,BSP3-1/2H	S.N.A	....4	T0066	AA62-30182F HEAT SINK-ES;CS29M6,A6063S,T2.0,26.2,52.	S.N.A
....4	EY850	6042-000002 EYELET;ID1.5,OD2.L2.8,NI+SN,BSP3-1/2H	S.N.A	....3	C701	2401-003031 C-AL;470uF,20%,450V,GP,BK,35x45mm,1	
....4	EY851	6042-000002 EYELET;ID1.5,OD2.L2.8,NI+SN,BSP3-1/2H	S.N.A	....3	M0018	AA97-15179U ASSY MICOM;K57A,VCTI 49XYF PY,T GRPEA_10	
....4	EY852	6042-000002 EYELET;ID1.5,OD2.L2.8,NI+SN,BSP3-1/2H	S.N.A	....4	T0119	AA09-00465A IC MICOM;VCT4933-PY C7,K57A(GoldRush),88	S.N.A
....4	EY853	6042-000002 EYELET;ID1.5,OD2.L2.8,NI+SN,BSP3-1/2H	S.N.A	....3	DZ016	0403-000510 DIODE-ZENER;MTZJ6.2B,5.96-6.27V,500MMW,DO	
....4	EY854	6042-000002 EYELET;ID1.5,OD2.L2.8,NI+SN,BSP3-1/2H	S.N.A	....3	C504	2301-001259 C-FILM,LEAD-PPF;100nF,5%,400V,TP,19x8x16	
....4	EY855	6042-000002 EYELET;ID1.5,OD2.L2.8,NI+SN,BSP3-1/2H	S.N.A	....3	L503	2701-000133 INDUCTOR-AXIAL;180uH,10%,3x7mm	
....4	EY856	6042-000002 EYELET;ID1.5,OD2.L2.8,NI+SN,BSP3-1/2H	S.N.A	....2	T0091	AA94-14077C ASSY PCB MISC-A/V SIDE;29M6,GOLDRUSH	
....4	EY858	6042-000002 EYELET;ID1.5,OD2.L2.8,NI+SN,BSP3-1/2H	S.N.A	....3		0202-001366 SOLDER-WIRE FLUX;-;RS60S,D1.2,63Sn/37Pb,	S.N.A
....4	EY859	6042-000002 EYELET;ID1.5,OD2.L2.8,NI+SN,BSP3-1/2H	S.N.A	....3	JA701	3722-001031 JACK-PIN;3P,3.6mm,#18,AU	
....4	EY860	6042-000002 EYELET;ID1.5,OD2.L2.8,NI+SN,BSP3-1/2H	S.N.A	....3	T0245	AA39-20009D LEAD CONNECTOR-ASSY;1P,500,YFH800-01,16	
....4	EY861	6042-000002 EYELET;ID1.5,OD2.L2.8,NI+SN,BSP3-1/2H	S.N.A	....3	T0245	AA39-20068E LEAD CONNECTOR-ASSY;8P,500,YBNH025-08,6	



Loc. No.	Code No.	Description ; Specification	Remark	Loc. No.	Code No.	Description ; Specification	Remark
...3	T0603	AA63-10002A BAND-TIE;NYLON66 V2,L100,NTR	S.N.A				
...3		AA97-14906C ASSY AUTO-A/V;29M6,GOLDRUSH	S.N.A				
...4	C689	2202-000121 C-CERAMIC,MLC-AXIAL;100pF,10%,50V,Y5P,TP					
...4	C689	2202-000121 C-CERAMIC,MLC-AXIAL;100pF,10%,50V,Y5P,TP					
...4	L701	2701-000114 INDUCTOR-AXIAL;10UH,10%,2534					
...4	L702	2701-000114 INDUCTOR-AXIAL;10UH,10%,2534					
...4	L2514	3301-000287 BEAD-AXIAL;;3.5x1.0x6.0mm,3000mA,TP,,,50	S.N.A				
...4	L2514	3301-000287 BEAD-AXIAL;;3.5x1.0x6.0mm,3000mA,TP,,,50	S.N.A				
...4	T0091	AA41-00345A PCB-SIDE A/V;CS29K1,FR-1,1L,A,1.6T,245x2	S.N.A				
...2	T0154	AA95-01752B ASSY SUB-PCB CONTROL;29M6,KS3A,AA95-0140					
...3		0202-001366 SOLDER-WIRE FLUX;-RS60S,D1.2.63Sn/37Pb,	S.N.A				
...3	LDY01	0601-001381 LED;ROUND,RED/GRN,5.0MM,650/563NM					
...3	C701	2401-002144 C-AL;47uF,20%,16V,GP,TP,5x11,5					
...3	SWY02	3404-000176 SWITCH-TACT;12V,50mA,120gf,6x6mm,SPST					
...3	SWY03	3404-000176 SWITCH-TACT;12V,50mA,120gf,6x6mm,SPST					
...3	SWY04	3404-000176 SWITCH-TACT;12V,50mA,120gf,6x6mm,SPST					
...3	SWY05	3404-000176 SWITCH-TACT;12V,50mA,120gf,6x6mm,SPST					
...3	SWY06	3404-000176 SWITCH-TACT;12V,50mA,120gf,6x6mm,SPST					
...3	CN906	3711-004696 CONNECTOR-HEADER;NOWALL,3P,1R,5MM,ANGLE,					
...3	CN906	3711-004697 CONNECTOR-HEADER;NOWALL,3P,1R,5MM,ANGLE,					
...3	CCM1	6001-000057 SCREW-MACHINE;RH,+M3,L6,ZPC(BLK),SWR1	S.N.A				
...3	M0081	6003-001023 SCREW-TAPTITE;PWH,+B,M3,L10,ZPC(YEL),SW	S.N.A				
...3	T0245	AA39-00100B LEAD CONNECTOR-ASSY;;4P,400MM,YBNH250-04					
...3	T0245	AA39-20069A LEAD CONNECTOR-ASSY;;5P,500,YBNH025-05,6					
...3	T0245	AA39-20179A LEAD CONNECTOR-ASSY;;3(2)P,300MM,YFH800-					
...3	T0523	AA61-00530B BRACKET-MASTER;25M6,29M6,SECC	S.N.A				
...3	T0603	AA63-10002A BAND-TIE;NYLON66 V2,L100,NTR	S.N.A				
...3		AA97-05552A ASSY AUTO-CONTROL;29M6,KS3A	S.N.A				
...4	CISS	0401-000005 DIODE-SWITCHING;1N4148,75V,150MA,DO-35,T					
...4	CISS	0401-000005 DIODE-SWITCHING;1N4148,75V,150MA,DO-35,T					
...4	DZ016	0403-000508 DIODE-ZENER;MTZJ5.6B,5.45-5.73V,500MW,DO					
...4	DZ016	0403-000508 DIODE-ZENER;MTZJ5.6B,5.45-5.73V,500MW,DO					
...4	R125	2001-000007 R-CARBON;3KOHM,5%,1/8W,AA,TP,1.8X3.2MM					
...4	R125	2001-000009 R-CARBON;20KOHM,5%,1/8W,AA,TP,1.8X3.2MM					
...4	R075	2001-000020 R-CARBON(S);220OHM,5%,1/2W,AA,TP,2.4X6.4MM					
...4	R125	2001-000577 R-CARBON;2KOHM,5%,1/8W,AA,TP,1.8X3.2MM					
...4	R125	2001-000878 R-CARBON;6.2KOHM,5%,1/8W,AA,TP,1.8X3.2MM					
...4	LY01	2701-000136 INDUCTOR-AXIAL;18UH,10%,2534					
...4	EL01	6042-000002 EYELET;ID1.5,OD2,L2.8,NI+SN,BSP3-1/2H	S.N.A				
...4	EL02	6042-000002 EYELET;ID1.5,OD2,L2.8,NI+SN,BSP3-1/2H	S.N.A				
...4	EL03	6042-000002 EYELET;ID1.5,OD2,L2.8,NI+SN,BSP3-1/2H	S.N.A				
...4	EL04	6042-000002 EYELET;ID1.5,OD2,L2.8,NI+SN,BSP3-1/2H	S.N.A				
...4		AA41-00552A PCB-CONTROL;29M6/25M6,CEM-1,1L,A,1.6T,24	S.N.A				
...3	D0254	AA32-00012A MODULE REMOCON;ORC-50HF2,38KHZ,940NM,MES					
...3	SW811S	3403-001134 SWITCH-PUSH;250V,5A,DPST,ON-OFF,-					

**ASSY ACCESSORY**

1	M0045	AA92-10757A ASSY ACCESSORY;29,TTX,THAILAND,KS7A,GOL	S.N.A
..2	T0524	6902-000009 BAG PE;HDPE,T0.03,L400,W240,TRP,8,2,PE M	S.N.A
..2	T0074	AA59-00312A REMOCON;DEEP IMPACT,TM75,36,TTX,EX,PAL	
..2	T0152	AA68-01068B CARD WARRANTY;;TSE,W/P120G,-,217*93mm,2	S.N.A
..2	T0100	AA68-03242B MANUAL-WARRANTY CARD;TH-ENG,SAFETY GU	S.N.A
..2	M0596	AA68-03415A MANUAL USERS-00;ET(PAL),EAST-ASIA,ENG,W/	S.N.A
..2	T0059	AA68-03425A MANUAL;CS29M6PQ,XST,ENG,THAI,ET,Schemati	S.N.A
..2	M0596	AA68-03441A MANUAL USERS-00;ET(PAL,TM75),XST,Thai,Th	S.N.A
..2	0	BN68-00774A MANUAL-PRC CARD;THAILAND PRC CARD,ENG,S.N.A	

**ASSY FIXING**

1	T0892	AA91-08231A ASSY FIXING;CS29M6MNUX/XST,KS7A,GOLD R	S.N.A
..2	M2893	AA39-00376B LEAD CONNECTOR;ET-PAL CIS,UL1007/2547#26	
..2	T0245	AA39-20010B LEAD CONNECTOR-ASSY;;1P,500,YFH800-01,S,	
..2	T0245	AA39-20010B LEAD CONNECTOR-ASSY;;1P,500,YFH800-01,S,	
..2	CIS1	AA65-30104B CLAMPER CORE-WIRE;ALL MODEL,NYLON 66,	S.N.A
△..2	T0066	AA96-20112A ASSY POWER CORD;-EP2/NO,H/C300,KJ10,THA	S.N.A
...3		3811-001609 WIRE-PVC CU;BCWA,300V,ROLL,-,#22,BLK	S.N.A
...3	T0268	AA39-10006K CBF-POWER CORD;-KJ-10,SPT-2 2/18AWG,240	
...3	T0010	AA61-20284A HOLDER;P-CORD,PP,-,-,BLK,VO,KE-002	S.N.A
..2	CIS1	AA65-00011C CLAMPER CORE-WIRE;ALL MODEL,NYLON 66,	S.N.A
..2	T0064	AA65-00047A CLAMPER CORE;D-Coil Clamp,NYLON 6/6,VO,	S.N.A
..2	T0016	AA65-30009A CLAMPER CORE-FBT;-ABS,VO,-,BLK,-	S.N.A
..2	CIS1	AA65-30018A CLAMPER CORE-WIRE;DONG-A,NYLON-66,-,-,S,	S.N.A

**ASSY P/MATERIAL**

1		AA92-03126U ASSY P/MATERIAL;29M6	S.N.A
..2	T0214	AA60-40006A PIN-STAPLE;AUTO,33X17.8X2.4,H18,33X17.8X	S.N.A
..2	T0172	AA69-02609A BAND-PP;W18,CLEA,1G	S.N.A
..2	T0376	6902-000061 BAG AIR;LDPE,T0.2,L1000,W500,TRP,,	S.N.A
..2	T0376	6902-000001 BAG AIR;LDPE,T0.2,L1800,W1000,TRP,,LDPE	S.N.A
..2	T0524	6902-000006 BAG PE;HDPE/NITRON/HDPE,T0.02/T0.5/T0.2,	S.N.A

You can search for the updated part code through ITSELF web site.  
URL : <http://itself.sec.samsung.co.kr>

## 4-2 CS29K5MHUX/AAG

Loc. No.	Code No.	Description ; Specification	Remark	Loc. No.	Code No.	Description ; Specification	Remark
<b>ASSY COVER FRONT</b>				<b>ASSY CHASSIS</b>			
1	M0001	AA90-05037S ASSY COVER FRONT;CS29K5MHUX/AAG	S.N.A	△	..2	T0063 AA03-00395A CRT COLOR;A68QCP693X500,380MG,1.1MH,14.9	
..2	T0081	6002-000522 SCREW-TAPPING;TH,+,2,M4,L15,ZPC(BLK),SWR	S.N.A	..2	T0089	AA27-00318A COIL DEGAUSSING;29,TXN2798HF,10%,50T,4	
..2	M0081	6003-001026 SCREW-TAPTITE;RH,+,B,M4,L15,ZPC(BLK),SWR	S.N.A	..2	T0527	AA61-01373A HOLDER-D COIL;29K5,NYLON 66	S.N.A
..2	M0081	6003-001268 SCREW-TAPTITE;TH,+,B,M4,L12,ZPC(YEL),SWR	S.N.A	..2	T0527	AA65-30017A CLAMPER CORE-D,COIL,-,NYLON-66,V0,-,NTR,	S.N.A
..2	T0081	AA60-10002A SCREW-TAPPING;-ZPC(YEL),M4,L12,RH,+,-,S	S.N.A	..2	T0603	AA98-70011A ASSY TBC WIRE P;29,NTSC,PAL,2P,UL1015#2	S.N.A
..2	T0081	AA60-100050T SCREW-TAPPING;-SWRCH18A,M4,L20,RH,+,2S,	S.N.A				
..2	CRT+CF	AA60-10050V BOLT-HEX;-SWRCH18A,M6,L30,HH,+,WC,-,Z	S.N.A				
..2	CCM1	AA61-01316A BRACKET-CRATER;29 ALL,STS304,TO.5,...	S.N.A				
..2	T0609	AA63-60004G SPACER-GUM,CRT;-NTR RUBBER,-,-,GRY,T3	S.N.A				
..2		AA64-03854A INLAY-CRT;ALL MODEL,PS,T1.0,50,30,BLK,CR	S.N.A				
..2	T0175	AA96-01461A ASSY SPEAKER P;8ohm,semidome,10W,10W Sem					
..2	T0003	AA96-02142F ASSY COVER P-FRONT;29K5,HIPS V0,G4309,SV					
..3	M0081	6003-001019 SCREW-TAPTITE;RH,+,B,M4,L12,ZPC(BLK),SWR	S.N.A				
..3	M0081	6003-001019 SCREW-TAPTITE;RH,+,B,M4,L12,ZPC(BLK),SWR	S.N.A				
..3	M0081	6003-001019 SCREW-TAPTITE;RH,+,B,M4,L12,ZPC(BLK),SWR	S.N.A				
..3	T0069	AA60-00091D SPACER-FELT;-FELT,200X10,-,-,BLK,TO.35,	S.N.A				
..3	T0245	AA61-00711D HOLDER-PCB;29U1,U2,HIPS VO,BK502(HB-PROP	S.N.A				
..3	T0607	AA61-40113A STOPPER-PCB;501H,HIPS,-,-,HB,NTR,-	S.N.A				
..3	CIS7	AA61-60003J SPRING ETC-CS;-SUS304,-,-,OD6,N7,OD6,-,	S.N.A				
..3	T0004	AA64-01506J INLAY-AV;25M6,PS SHEET,TO.3,SILVER,P/GRA	S.N.A				
..3	T0003	AA64-02623N CABINET FRONT;29K5,HIPS,V0,G4309,SV012P,	S.N.A				
..3	T0023	AA64-02629A KNOB-POWER;29K5,ABS HB,G3676,SVM-3012	S.N.A				
..3	T0299	AA64-02632A WINDOW-RMC,LED;29K5,PC,CLR	S.N.A				
..3	T0022	AA64-02635A KNOB-CONTROL;29K5,ABS HB,G3676,SVM-3012	S.N.A				
..3	T0130	AA64-02637L PANEL-CONTROL;29K5,V0,G4309,SV012P,KS7A,	S.N.A				
..3	T0057	AA64-70117B BADGE-BRAND;AL,T1.5,10.6,L65,BLK,SILVER	S.N.A				
..3	CIS1	AA65-00011B CLAMPER CORE-WIRE;ALL MODEL,NYLON 66,V	S.N.A				
..3	CIS1	AA65-00011C CLAMPER CORE-WIRE;ALL MODEL,NYLON 66,V	S.N.A				
..3	T0382	BP61-00509C HOLDER-CARE;PJT,ACRYL-FOAM,TO.25,W20.0m	S.N.A				
..2	T0382	BP61-00495C HOLDER-CARE;PJT,ACRYL-FOAM,TO.25,W30.0	S.N.A				
<b>ASSY COVER REAR</b>							
1	M0002	AA90-05206C ASSY COVER REAR;29K5,HIPS V0,G4309,AAG	S.N.A				
..2	T0069	AA60-00091J SPACER-FELT;-FELT,330X10,-,-,BLK,TO.5,-	S.N.A				
..2	T0015	AA64-02624C CABINET-BACK;29K5,HIPS,V0,G4309	S.N.A				
..2	T0066	AA64-03974A INLAY-BACK;KS7A(ET),PAL,PS,TO.3,SHEET,B	S.N.A				
..2	CIS7	AA64-60421B INLAY-COVER;-PS,TO.3,-,-,BLK,AAFES	S.N.A				
..2	T0522	AA65-30008A CLAMPER CORE-CORD;-PE,HB,-,BLK,-	S.N.A				
<b>ASSY FIXING</b>							
1	T0892	AA91-06346Y ASSY FIXING;CP2(H/C400MM),KS7A,29,GOLDR	S.N.A				
..2		3811-001609 WIRE-PVC CU;BCWA,300V,ROLL,-,#22,BLK	S.N.A				
△	M2893	AA39-00376B LEAD CONNECTOR;ET-PAL CIS,UL1007/2547#26	S.N.A				
..2	T0268	AA39-10006C CBF-POWER CORD;-KKP419C,KLCE-2F,2.286MT	S.N.A				
..2	T0245	AA39-20010B LEAD CONNECTOR-ASSY;1P,500,YFH800-01,S,	S.N.A				
..2	T0245	AA39-20010B LEAD CONNECTOR-ASSY;1P,500,YFH800-01,S,	S.N.A				
..2	T0010	AA61-20284A HOLDER;P-CORD,PP,-,-,BLK,VO,KE-002	S.N.A				
..2	CIS1	AA65-30104B CLAMPER CORE-WIRE;ALL MODEL,NYLON 66,V	S.N.A				
..2	CIS1	AA65-00011C CLAMPER CORE-WIRE;ALL MODEL,NYLON 66,V	S.N.A				
..2	T0064	AA65-00047A CLAMPER CORE-D-Coil Clamp,NYLON 6/6,V0,	S.N.A				
..2	T0016	AA65-30009A CLAMPER CORE-FBT;-ABS,V0,-,BLK,-	S.N.A				
..2	CIS1	AA65-30018A CLAMPER CORE-WIRE;DONG-A,NYLON-66,-,-,-,	S.N.A				
<b>ASSY CPT</b>							
1	T0521	AA91-07401X ASSY CPT;A68QCP693X500,380MG,29,SDI,MST	S.N.A				

Loc. No.	Code No.	Description ; Specification	Remark	Loc. No.	Code No.	Description ; Specification	Remark
....4 H/S	0205-001154	OIL-SILICON;G746,-,-	S.N.A	....4 DZ016	0403-000720	DIODE-ZENER;MTZJ9.1B,8.57-9.01V,500MW,DO	
....4 T0083	0402-001230	DIODE-RECTIFIER;FMG-G2CS,1000V,3A,DO-41,		....4 DZ016	0403-000720	DIODE-ZENER;MTZJ9.1B,8.57-9.01V,500MW,DO	
....4 T0083	0402-001374	DIODE-RECTIFIER;FFP06U20S,200V,6A,TO-22		....4 DZ016	0403-000720	DIODE-ZENER;MTZJ9.1B,8.57-9.01V,500MW,DO	
....4 T0087	1203-001944	IC-POS.FIXED REG.;78RM33,TO-220,3P,-,PL		....4 DZ016	0403-000720	DIODE-ZENER;MTZJ9.1B,8.57-9.01V,500MW,DO	
....4 M0081	6003-000334	SCREW-TAPTITE;RH,+,2S,M3,L6,ZPC(YEL),SWR	S.N.A	....4 DZ016	0403-000720	DIODE-ZENER;MTZJ9.1B,8.57-9.01V,500MW,DO	
....4 H/S	AA62-00066B	HEAT SINK;D2,D3,AL, T1.0,89,70,-,AA62-00	S.N.A	....4 DZ016	0403-000720	DIODE-ZENER;MTZJ9.1B,8.57-9.01V,500MW,DO	
...3 Q801	AA96-00624G	ASSY HEAT SINK P;SCREW,AA62-00057B,FQP63	S.N.A	....4 DZ016	0403-001211	DIODE-ZENER;MTZJ12B,11.8-12.3V,500MW,DO-	
....4 H/S	0205-001154	OIL-SILICON;G746,-,-	S.N.A	....4 DZ016	0403-001211	DIODE-ZENER;MTZJ12B,11.8-12.3V,500MW,DO-	
....4 Q409	0505-001723	FET-SILICON;FQP630TSTU,N,200V,9A,0.4OHM,		....4 DZ016	0403-001211	DIODE-ZENER;MTZJ12B,11.8-12.3V,500MW,DO-	
....4 M0081	6003-000333	SCREW-TAPTITE;RH,+,2S,M3,L10,ZPC(YEL),SW	S.N.A	....4 DZ016	0403-001221	DIODE-ZENER;UZ39BSB,35.36-37.19V,500MW,D	
....4 T0105	AA60-30001A	WASHER-PLATE;M3,ID3.5,15X8.5,T1.0,SBHG	S.N.A	....4 DZ016	0403-001320	DIODE-ZENER;MTZJ6.2C,6.16-6.4V,500MW,DO-	
....4 T0175	AA62-00057B	HEAT SINK-PS;CT-29K12PA1050S,1.0,41,60	S.N.A	....4 DZ016	0403-001321	DIODE-ZENER;MTZJ6.8C,6.7-6.97V,500MW,DO-	
...3 Q401	AA96-00624H	ASSY HEAT SINK P;SCREW,AA62-00057A,FJFA	S.N.A	....4 DZ016	0403-001329	DIODE-ZENER;MTZJ24B,22.75-23.73V,500MW,D	
....4 H/S	0205-001154	OIL-SILICON;G746,-,-	S.N.A	....4 DZ016	0403-001329	DIODE-ZENER;MTZJ24B,22.75-23.73V,500MW,D	
....4 T0090	0502-001263	TR-POWER;FJAF6810A,NPN,60000MW,TP-3PF(FO		....4 DZ016	0403-001373	DIODE-ZENER;MTZJ5.1A,4.85-5.03V,500MW,DO	
....4 M0081	6003-000333	SCREW-TAPTITE;RH,+,2S,M3,L10,ZPC(YEL),SW	S.N.A	....4 T0156	0501-000010	TR-SMALL SIGNAL;KSC1008,NPN,800mW,TO-92,	
....4 T0105	AA60-30001A	WASHER-PLATE;M3,ID3.5,15X8.5,T1.0,SBHG	S.N.A	....4 T0156	0501-000010	TR-SMALL SIGNAL;KSC1008,NPN,800mW,TO-92,	
....4 T0175	AA62-00057A	HEAT SINK-PS;-,-,T1.0,-,41*20*60,D2,-,-,	S.N.A	....4 T0156	0501-000283	TR-SMALL SIGNAL;KSA539,PNP,400mW,TO-92,T	
...3 LDV901	AA96-30001C	ASSY LED GUIDE;-,-AA61-50055A,DL-G7RA,-	S.N.A	....4 T0156	0501-000283	TR-SMALL SIGNAL;KSA539,PNP,400mW,TO-92,T	
...3 IC501	AA96-50311N	ASSY HEAT SINK P;AA62-30175D,TDA6109JF,S	S.N.A	....4 T0156	0501-000283	TR-SMALL SIGNAL;KSA539,PNP,400mW,TO-92,T	
....4 T0074	1201-002114	IC-VIDEO AMP;TDA6109JF,SDIP,9P,18.5mm,-,		....4 T0156	0501-000283	TR-SMALL SIGNAL;KSA539,PNP,400mW,TO-92,T	
....4 M0081	6003-000334	SCREW-TAPTITE;RH,+,2S,M3,L6,ZPC(YEL),SWR	S.N.A	....4 T0156	0501-000283	TR-SMALL SIGNAL;KSA539,PNP,400mW,TO-92,T	
....4 T0175	AA62-30175D	HEAT SINK-PS;-,-SECC,T1.0,-,33X15X30 FT-2	S.N.A	....4 T0156	0501-000283	TR-SMALL SIGNAL;KSA539,PNP,400mW,TO-92,T	
△ ...3 IC801S	AA96-50371L	ASSY HEAT SINK P;STR-X6757,SCREW,AA62-30	S.N.A	....4 T0156	0501-000283	TR-SMALL SIGNAL;KSA539,PNP,400mW,TO-92,T	
....4 CIS	0205-001154	OIL-SILICON;G746,-,-	S.N.A	....4 T0156	0501-000369	TR-SMALL SIGNAL;KSC2331-Y,NPN,100mW,TO-	
....4 M0081	6003-000333	SCREW-TAPTITE;RH,+,2S,M3,L10,ZPC(YEL),SW	S.N.A	....4 T0156	0501-000389	TR-SMALL SIGNAL;KSC815,NPN,400mW,TO-92,T	
....4 IC063	AA13-00109A	IC HYBRID;STR-X6757,CS29K10PF7,-,20 to +		....4 T0156	0501-000389	TR-SMALL SIGNAL;KSC815,NPN,400mW,TO-92,T	
....4 T0066	AA62-30181H	HEAT SINK-ES;-,-AL6063 EXTR.,2,WHT,50MM,-,	S.N.A	....4 T0156	0501-000389	TR-SMALL SIGNAL;KSC815,NPN,400mW,TO-92,T	
...3 IC301	AA96-50381A	ASSY HEAT SINK P;AA62-30180B,LA7845	S.N.A	....4 T0156	0501-000389	TR-SMALL SIGNAL;KSC815,NPN,400mW,TO-92,T	
....4	0205-001153	GREASE-SILICON;SC102,JAPAN,-	S.N.A	....4 T0156	0501-000389	TR-SMALL SIGNAL;KSC815,NPN,400mW,TO-92,T	
....4 T0088	1204-000517	IC-VERTICAL DEF.;LA7845,SIP,7P,-,PLASTIC		....4 T0156	0501-000389	TR-SMALL SIGNAL;KSC815,NPN,400mW,TO-92,T	
....4 M0081	6003-000333	SCREW-TAPTITE;RH,+,2S,M3,L10,ZPC(YEL),SW	S.N.A	....4 T0156	0501-000389	TR-SMALL SIGNAL;KSC815,NPN,400mW,TO-92,T	
....4 T0066	AA62-30180B	HEAT SINK-ES;-,-A6063 EXTR.,2,WHT,70MM,-,	S.N.A	....4 T0156	0501-000389	TR-SMALL SIGNAL;KSC815,NPN,400mW,TO-92,T	
...3	AA97-15638A	ASSY AUTO-MAIN;CS29K5MHUX/AAG,KS7A,GO	S.N.A	....4 T0156	0501-000389	TR-SMALL SIGNAL;KSC815,NPN,400mW,TO-92,T	
....4 CISS	0401-000005	DIODE-SWITCHING;1N4148,75V,150MA,DO-35,T		....4 T0156	0501-000389	TR-SMALL SIGNAL;KSC815,NPN,400mW,TO-92,T	
....4 CISS	0401-000005	DIODE-SWITCHING;1N4148,75V,150MA,DO-35,T		....4 T0090	0502-001107	TR-POWER;KSC2073-H2,NPN,25W,TO-220,ST6	
....4 CISS	0401-000005	DIODE-SWITCHING;1N4148,75V,150MA,DO-35,T		....4 Q409	0505-000109	FET-SILICON;2N7000,N,60V,200mA,5ohm,400m	
....4 CISS	0401-000005	DIODE-SWITCHING;1N4148,75V,150MA,DO-35,T		....4 Q409	0505-000109	FET-SILICON;2N7000,N,60V,200mA,5ohm,400m	
....4 CISS	0401-000005	DIODE-SWITCHING;1N4148,75V,150MA,DO-35,T		....4 Q409	0505-000109	FET-SILICON;2N7000,N,60V,200mA,5ohm,400m	
....4 CISS	0401-000005	DIODE-SWITCHING;1N4148,75V,150MA,DO-35,T		....4 T0087	1203-000284	IC-POS.FIXED REG.;7806,TO-220,3P,-,PLAS	
....4 CISS	0401-000005	DIODE-SWITCHING;1N4148,75V,150MA,DO-35,T		....4 T0087	1203-000293	IC-POS.FIXED REG.;7808,TO-220,3P,-,PLAS	
....4 CISS	0401-000005	DIODE-SWITCHING;1N4148,75V,150MA,DO-35,T		....4 IC012	1203-001217	IC-POS.ADJUST REG.;431,TO-92,3P,4.58MIL	
....4 CISS	0401-000005	DIODE-SWITCHING;1N4148,75V,150MA,DO-35,T		....4 IC202	1203-001943	IC-VOL. DETECTOR;7025,TO-92,3P,-,PLASTIC	
....4 CISS	0401-000005	DIODE-SWITCHING;1N4148,75V,150MA,DO-35,T		△ ...4 VP801S	1405-000187	VARISTOR;750V,1250A,12.5x7mm,TP	
....4 CISS	0401-000006	DIODE-SWITCHING;BAV21,250V,200MA,DO-35,T		△ ...4 VX801S	1405-000187	VARISTOR;750V,1250A,12.5x7mm,TP	
....4 T0083	0402-000132	DIODE-RECTIFIER;1N4004,400V,1A,DO-41,TP		....4 R125	2001-000003	R-CARBON;330ohm,5%,1/8W,AA,TP,1.8x3.2mm	
....4 T0083	0402-000132	DIODE-RECTIFIER;1N4004,400V,1A,DO-41,TP		....4 R125	2001-000003	R-CARBON;330ohm,5%,1/8W,AA,TP,1.8x3.2mm	
....4 T0083	0402-000132	DIODE-RECTIFIER;1N4004,400V,1A,DO-41,TP		....4 R125	2001-000005	R-CARBON;390ohm,5%,1/8W,AA,TP,1.8x3.2mm	
....4 T0083	0402-000132	DIODE-RECTIFIER;1N4004,400V,1A,DO-41,TP		....4 R125	2001-000005	R-CARBON;390ohm,5%,1/8W,AA,TP,1.8x3.2mm	
....4 T0083	0402-000132	DIODE-RECTIFIER;1N4004,400V,1A,DO-41,TP		....4 R125	2001-000005	R-CARBON;390ohm,5%,1/8W,AA,TP,1.8x3.2mm	
....4 T0083	0402-000254	DIODE-RECTIFIER;RGP10J,600V,1A,DO-41,TP		....4 R125	2001-000006	R-CARBON;2.4KOHM,5%,1/8W,AA,TP,1.8X3.2MM	
....4 T0083	0402-000493	DIODE-RECTIFIER;1R5GU41,400V,1.5A,DO-15L		....4 R075	2001-000016	R-CARBON(S);10HM,5%,1/2W,AA,TP,2.4X6.4MM	
....4 T0083	0402-000534	DIODE-RECTIFIER;RG10V,400V,1.2A,DO-201,T		....4 R075	2001-000020	R-CARBON(S);22OHM,5%,1/2W,AA,TP,2.4X6.4MM	
....4 T0083	0402-000537	DIODE-RECTIFIER;RH1A,600V,0.6A,DO-204AC		....4 R075	2001-000037	R-CARBON(S);330OHM,5%,1/2W,AA,TP,2.4X6.4	
....4 T0083	0402-000540	DIODE-RECTIFIER;RU20A,600V,1.5A,-,TP		....4 R125	2001-000221	R-CARBON;1.2KOHM,5%,1/8W,AA,TP,1.8X3.2MM	
....4 T0083	0402-000540	DIODE-RECTIFIER;RU20A,600V,1.5A,-,TP		....4 R125	2001-000221	R-CARBON;1.2KOHM,5%,1/8W,AA,TP,1.8X3.2MM	
....4 T0083	0402-000546	DIODE-RECTIFIER;TVR10G,400V,1.0A,DO-41,T		....4 R125	2001-000244	R-CARBON;1.5MOHM,5%,1/8W,AA,TP,1.8X3.2MM	
....4 T0083	0402-000546	DIODE-RECTIFIER;TVR10G,400V,1.0A,DO-41,T		....4 R125	2001-000273	R-CARBON;100KOHM,5%,1/8W,AA,TP,1.8X3.2MM	
....4 T0083	0402-000546	DIODE-RECTIFIER;TVR10G,400V,1.0A,DO-41,T		....4 R125	2001-000273	R-CARBON;100KOHM,5%,1/8W,AA,TP,1.8X3.2MM	
....4 T0083	0402-000546	DIODE-RECTIFIER;TVR10G,400V,1.0A,DO-41,T		....4 R125	2001-000273	R-CARBON;100KOHM,5%,1/8W,AA,TP,1.8X3.2MM	
....4 T0083	0402-000546	DIODE-RECTIFIER;TVR10G,400V,1.0A,DO-41,T		....4 R125	2001-000281	R-CARBON;100OHM,5%,1/8W,AA,TP,1.8X3.2MM	
....4 T0083	0402-000546	DIODE-RECTIFIER;TVR10G,400V,1.0A,DO-41,T		....4 R125	2001-000281	R-CARBON;100OHM,5%,1/8W,AA,TP,1.8X3.2MM	
....4 T0083	0402-000546	DIODE-RECTIFIER;TVR10G,400V,1.0A,DO-41,T		....4 R125	2001-000281	R-CARBON;100OHM,5%,1/8W,AA,TP,1.8X3.2MM	
....4 T0083	0402-000546	DIODE-RECTIFIER;TVR10G,400V,1.0A,DO-41,T		....4 R125	2001-000281	R-CARBON;100OHM,5%,1/8W,AA,TP,1.8X3.2MM	
....4 DZ016	0403-000508	DIODE-ZENER;MTZJ5.6B,5.45-5.73V,500MW,DO		....4 R125	2001-000281	R-CARBON;100OHM,5%,1/8W,AA,TP,1.8X3.2MM	
....4 DZ016	0403-000508	DIODE-ZENER;MTZJ5.6B,5.45-5.73V,500MW,DO		....4 R125	2001-000281	R-CARBON;100OHM,5%,1/8W,AA,TP,1.8X3.2MM	
....4 DZ016	0403-000508	DIODE-ZENER;MTZJ5.6B,5.45-5.73V,500MW,DO		....4 R125	2001-000281	R-CARBON;100OHM,5%,1/8W,AA,TP,1.8X3.2MM	
....4 DZ016	0403-000508	DIODE-ZENER;MTZJ5.6B,5.45-5.73V,500MW,DO		....4 R125	2001-000281	R-CARBON;100OHM,5%,1/8W,AA,TP,1.8X3.2MM	
....4 DZ016	0403-000508	DIODE-ZENER;MTZJ5.6B,5.45-5.73V,500MW,DO		....4 R125	2001-000281	R-CARBON;100OHM,5%,1/8W,AA,TP,1.8X3.2MM	
....4 DZ016	0403-000700	DIODE-ZENER;TZP33A,5%,1000MW,DO-41,TP		....4 R125	2001-000281	R-CARBON;100OHM,5%,1/8W,AA,TP,1.8X3.2MM	
....4 DZ016	0403-000700	DIODE-ZENER;TZP33A,5%,1000MW,DO-41,TP		....4 R125	2001-000281	R-CARBON;100OHM,5%,1/8W,AA,TP,1.8X3.2MM	
....4 DZ016	0403-000700	DIODE-ZENER;TZP33A,5%,1000MW,DO-41,TP		....4 R125	2001-000281	R-CARBON;100OHM,5%,1/8W,AA,TP,1.8X3.2MM	
....4 DZ016	0403-000700	DIODE-ZENER;TZP33A,5%,1000MW,DO-41,TP		....4 R125	2001-000281	R-CARBON;100OHM,5%,1/8W,AA,TP,1.8X3.2MM	
....4 DZ016	0403-000714	DIODE-ZENER;MTZJ3.3B,3.32-3.53V,500MW,DO		....4 R125	2001-000281	R-CARBON;100OHM,5%,1/8W,AA,TP,1.8X3.2MM	
....4 DZ016	0403-000714	DIODE-ZENER;MTZJ3.3B,3.32-3.53V,500MW,DO		....4 R125	2001-000281	R-CARBON;100OHM,5%,1/8W,AA,TP,1.8X3.2MM	
....4 DZ016	0403-000714	DIODE-ZENER;MTZJ3.3B,3.32-3.53V,500MW,DO		....4 R125	2001-000281	R-CARBON;100OHM,5%,1/8W,AA,TP,1.8X3.2MM	
....4 DZ016	0403-000718	DIODE-ZENER;MTZJ6.8B,6.52-6.79V,500MW,DO		....4 R125	2001-000281	R-CARBON;100OHM,5%,1/8W,AA,TP,1.8X3.2MM	
....4 DZ016	0403-000718	DIODE-ZENER;MTZJ6.8B,6.52-6.79V,500MW,DO		....4 R125	2001-000281	R-CARBON;100OHM,5%,1/8W,AA,TP,1.8X3.2MM	
....4 DZ016	0403-000720	DIODE-ZENER;MTZJ9.1B,8.57-9.01V,500MW,DO		....4 R125	2001-000281	R-CARBON;100OHM,5%,1/8W,AA,TP,1.8X3.2MM	



Loc. No.	Code No.	Description ; Specification	Remark	Loc. No.	Code No.	Description ; Specification	Remark
....4R125	2001-000281	R-CARBON;100OHM,5%,1/8W,AA,TP,1.8X3.2MM		....4R125	2001-000924	R-CARBON;680OHM,5%,1/8W,AA,TP,1.8X3.2MM	
....4R125	2001-000281	R-CARBON;100OHM,5%,1/8W,AA,TP,1.8X3.2MM		....4R125	2001-000969	R-CARBON;75OHM,5%,1/8W,AA,TP,1.8X3.2MM	
....4R125	2001-000290	R-CARBON;10KOHM,5%,1/8W,AA,TP,1.8X3.2MM		....4R125	2001-000969	R-CARBON;75OHM,5%,1/8W,AA,TP,1.8X3.2MM	
....4R125	2001-000290	R-CARBON;10KOHM,5%,1/8W,AA,TP,1.8X3.2MM		....4R125	2001-000969	R-CARBON;75OHM,5%,1/8W,AA,TP,1.8X3.2MM	
....4R125	2001-000290	R-CARBON;10KOHM,5%,1/8W,AA,TP,1.8X3.2MM		....4R125	2001-000969	R-CARBON;75OHM,5%,1/8W,AA,TP,1.8X3.2MM	
....4R125	2001-000290	R-CARBON;10KOHM,5%,1/8W,AA,TP,1.8X3.2MM		....4R125	2001-000969	R-CARBON;75OHM,5%,1/8W,AA,TP,1.8X3.2MM	
....4R125	2001-000290	R-CARBON;10KOHM,5%,1/8W,AA,TP,1.8X3.2MM		....4R125	2001-000969	R-CARBON;75OHM,5%,1/8W,AA,TP,1.8X3.2MM	
....4R125	2001-000290	R-CARBON;10KOHM,5%,1/8W,AA,TP,1.8X3.2MM		....4R125	2001-000977	R-CARBON;8.2KOHM,5%,1/8W,AA,TP,1.8X3.2MM	
....4R125	2001-000290	R-CARBON;10KOHM,5%,1/8W,AA,TP,1.8X3.2MM		....4R125	2001-000977	R-CARBON;8.2KOHM,5%,1/8W,AA,TP,1.8X3.2MM	
....4R125	2001-000290	R-CARBON;10KOHM,5%,1/8W,AA,TP,1.8X3.2MM		....4R125	2001-000977	R-CARBON;8.2KOHM,5%,1/8W,AA,TP,1.8X3.2MM	
....4R125	2001-000290	R-CARBON;10KOHM,5%,1/8W,AA,TP,1.8X3.2MM		....4R125	2001-000995	R-CARBON;820OHM,5%,1/8W,AA,TP,1.8X3.2MM	
....4R125	2001-000290	R-CARBON;10KOHM,5%,1/8W,AA,TP,1.8X3.2MM		....4R075	2001-001062	R-CARBON(S);10MOHM,5%,1/2W,AA,TP,2.4X6.4	
....4R125	2001-000331	R-CARBON;12KOHM,5%,1/8W,AA,TP,1.8X3.2MM		....4R075	2001-001070	R-CARBON(S);120OHM,5%,1/2W,AA,TP,2.4X6.4	
....4R125	2001-000331	R-CARBON;12KOHM,5%,1/8W,AA,TP,1.8X3.2MM		....4R075	2001-001079	R-CARBON(S);15OHM,5%,1/2W,AA,TP,2.4X6.4M	
....4R125	2001-000362	R-CARBON;10KOHM,5%,1/8W,AA,TP,1.8X3.2MM		....4R075	2001-001088	R-CARBON(S);1KOHM,5%,1/2W,AA,TP,2.4X6.4M	
....4R125	2001-000362	R-CARBON;150OHM,5%,1/8W,AA,TP,1.8X3.2MM		....4R075	2001-001088	R-CARBON(S);1KOHM,5%,1/2W,AA,TP,2.4X6.4M	
....4R125	2001-000362	R-CARBON;150OHM,5%,1/8W,AA,TP,1.8X3.2MM		....4R075	2001-001088	R-CARBON(S);1KOHM,5%,1/2W,AA,TP,2.4X6.4M	
....4R125	2001-000376	R-CARBON;15OHM,5%,1/8W,AA,TP,1.8X3.2MM		....4R075	2001-001097	R-CARBON(S);2.4KOHM,5%,1/2W,AA,TP,2.4X6.4	
....4R125	2001-000397	R-CARBON;180KOHM,5%,1/8W,AA,TP,1.8X3.2MM		....4R075	2001-001107	R-CARBON(S);2.20OHM,5%,1/2W,AA,TP,2.4X6.4	
....4R125	2001-000411	R-CARBON;18KOHM,5%,1/8W,AA,TP,1.8X3.2MM		....4R075	2001-001114	R-CARBON(S);270OHM,5%,1/2W,AA,TP,2.4X6.4	
....4R125	2001-000429	R-CARBON;1KOHM,5%,1/8W,AA,TP,1.8X3.2MM		....4R075	2001-001128	R-CARBON(S);30KOHM,5%,1/2W,AA,TP,2.4X6.4	
....4R125	2001-000429	R-CARBON;1KOHM,5%,1/8W,AA,TP,1.8X3.2MM		....4R075	2001-001131	R-CARBON(S);33KOHM,5%,1/2W,AA,TP,2.4X6.4	
....4R125	2001-000429	R-CARBON;1KOHM,5%,1/8W,AA,TP,1.8X3.2MM		....4R075	2001-001150	R-CARBON(S);470KOHM,5%,1/2W,AA,TP,2.4X6.4	
....4R125	2001-000429	R-CARBON;1KOHM,5%,1/8W,AA,TP,1.8X3.2MM		....4R075	2001-001150	R-CARBON(S);470KOHM,5%,1/2W,AA,TP,2.4X6.4	
....4R125	2001-000429	R-CARBON;1KOHM,5%,1/8W,AA,TP,1.8X3.2MM		....4R075	2001-001152	R-CARBON(S);47KOHM,5%,1/2W,AA,TP,2.4X6.4	
....4R125	2001-000429	R-CARBON;1KOHM,5%,1/8W,AA,TP,1.8X3.2MM		....4R075	2001-001168	R-CARBON(S);6.8KOHM,5%,1/2W,AA,TP,2.4X6.4	
....4R125	2001-000429	R-CARBON;1KOHM,5%,1/8W,AA,TP,1.8X3.2MM		....4R075	2001-001187	R-CARBON(S);75OHM,5%,1/2W,AA,TP,2.4X6.4M	
....4R125	2001-000429	R-CARBON;1KOHM,5%,1/8W,AA,TP,1.8X3.2MM		....4R0521	2002-000133	R-COMPOSITION;3.3Mohm,5%,1/2W,AA,TP,3.5x	
....4R125	2001-000429	R-CARBON;1KOHM,5%,1/8W,AA,TP,1.8X3.2MM		....4R0521	2002-001008	R-COMPOSITION;1.8Kohm,10%,1/2W,AA,TP,3.7	
....4R125	2001-000449	R-CARBON;2.2KOHM,5%,1/8W,AA,TP,1.8X3.2MM		....4R0521	2002-001008	R-COMPOSITION;1.8Kohm,10%,1/2W,AA,TP,3.7	
....4R125	2001-000449	R-CARBON;2.2KOHM,5%,1/8W,AA,TP,1.8X3.2MM		....4R0521	2002-001008	R-COMPOSITION;1.8Kohm,10%,1/2W,AA,TP,3.7	
....4R125	2001-000449	R-CARBON;2.2KOHM,5%,1/8W,AA,TP,1.8X3.2MM		....4R0521	2002-001012	R-COMPOSITION;8.2Mohm,5%,1/2W,AA,TP,3.7x	
....4R125	2001-000449	R-CARBON;2.2KOHM,5%,1/8W,AA,TP,1.8X3.2MM		....4R426	2003-000540	R-METAL OXIDE(S);1Kohm,5%,2W,AF,TP,4x12m	
....4R125	2001-000522	R-CARBON;22KOHM,5%,1/8W,AA,TP,1.8X3.2MM		....4R830	2003-000586	R-METAL OXIDE(S);22Kohm,5%,2W,AF,TP,4x12	
....4R125	2001-000522	R-CARBON;22KOHM,5%,1/8W,AA,TP,1.8X3.2MM		....4R831	2003-000586	R-METAL OXIDE(S);22Kohm,5%,2W,AF,TP,4x12	
....4R125	2001-000527	R-CARBON;22OHM,5%,1/8W,AA,TP,1.8X3.2MM		....4R802	2003-000994	R-METAL OXIDE(S);33Kohm,5%,2W,AF,TP,3.9x	
....4R125	2001-000554	R-CARBON;270OHM,5%,1/8W,AA,TP,1.8X3.2MM		....4R803	2003-000994	R-METAL OXIDE(S);33Kohm,5%,2W,AF,TP,3.9x	
....4R125	2001-000554	R-CARBON;270OHM,5%,1/8W,AA,TP,1.8X3.2MM		....4R804	2003-000994	R-METAL OXIDE(S);33Kohm,5%,2W,AF,TP,3.9x	
....4R125	2001-000554	R-CARBON;270OHM,5%,1/8W,AA,TP,1.8X3.2MM		....4R423	2003-001042	R-METAL OXIDE(S);5.6Kohm,5%,2W,AF,TP,3.9	
....4R125	2001-000591	R-CARBON;3.3KOHM,5%,1/8W,AA,TP,1.8X3.2MM		....4R835	2003-002020	R-METAL OXIDE(S);56Kohm,5%,2W,AF,TP,3.9x	
....4R125	2001-000613	R-CARBON;3.9KOHM,5%,1/8W,AA,TP,1.8X3.2MM		....4R836	2003-002020	R-METAL OXIDE(S);56Kohm,5%,2W,AF,TP,3.9x	
....4R125	2001-000660	R-CARBON;33KOHM,5%,1/8W,AA,TP,1.8X3.2MM		....4R310	2003-002150	R-METAL OXIDE;270OHM,5%,2W,AG,TP,6X16MM	
....4R125	2001-000660	R-CARBON;33KOHM,5%,1/8W,AA,TP,1.8X3.2MM		....4R407	2003-002151	R-METAL OXIDE;18KOHM,5%,2W,AG,TP,6X16MM	
....4R125	2001-000666	R-CARBON;33OHM,5%,1/8W,AA,TP,1.8X3.2MM		....4R309	2003-002157	R-METAL OXIDE;220OHM,5%,2W,AG,TP,6X16MM	
....4R125	2001-000666	R-CARBON;33OHM,5%,1/8W,AA,TP,1.8X3.2MM		....4R350	2003-002238	R-METAL OXIDE(S);1.30HM,5%,2W,AF,TP,3.9X	
....4R125	2001-000666	R-CARBON;33OHM,5%,1/8W,AA,TP,1.8X3.2MM		....4R420	2004-000412	R-METAL;18Kohm,1%,1/4W,AA,TP,2.4x6.4mm	
....4R125	2001-000666	R-CARBON;33OHM,5%,1/8W,AA,TP,1.8X3.2MM		....4RV225	2004-000433	R-METAL;1Kohm,1%,1/8W,AA,TP,1.8x3.2mm	
....4R125	2001-000702	R-CARBON;39KOHM,5%,1/8W,AA,TP,1.8X3.2MM		....4RV917	2004-000531	R-METAL;20Kohm,1%,1/2W,AA,TP,2.3x6.5mm	
....4R125	2001-000702	R-CARBON;39KOHM,5%,1/8W,AA,TP,1.8X3.2MM		....4RV914	2004-000680	R-METAL;2Kohm,1%,1/8W,AA,TP,1.8x3.2mm	
....4R125	2001-000734	R-CARBON;4.7KOHM,5%,1/8W,AA,TP,1.8X3.2MM		....4RV909	2004-000869	R-METAL;3Kohm,1%,1/8W,AA,TP,1.8x3.2mm	
....4R125	2001-000734	R-CARBON;4.7KOHM,5%,1/8W,AA,TP,1.8X3.2MM		....4RV915	2004-000869	R-METAL;3Kohm,1%,1/8W,AA,TP,1.8x3.2mm	
....4R125	2001-000734	R-CARBON;4.7KOHM,5%,1/8W,AA,TP,1.8X3.2MM		....4R411	2004-000947	R-METAL;43Kohm,1%,1/4W,AA,TP,2.4x6.4mm	
....4R125	2001-000734	R-CARBON;4.7KOHM,5%,1/8W,AA,TP,1.8X3.2MM		....4RV916	2004-001126	R-METAL;6.2Kohm,1%,1/8W,AA,TP,1.8x3.2m	
....4R125	2001-000734	R-CARBON;4.7KOHM,5%,1/8W,AA,TP,1.8X3.2MM		....4RV230	2004-001137	R-METAL;6.8Kohm,1%,1/8W,AA,TP,1.8x3.2m	
....4R125	2001-000734	R-CARBON;4.7KOHM,5%,1/8W,AA,TP,1.8X3.2MM		....4R024	2004-001382	R-METAL(S);13Kohm,1%,1/2W,AA,TP,2.4x6.4m	
....4R125	2001-000734	R-CARBON;4.7KOHM,5%,1/8W,AA,TP,1.8X3.2MM		....4R024	2004-001382	R-METAL(S);13Kohm,1%,1/2W,AA,TP,2.4x6.4m	
....4R125	2001-000734	R-CARBON;4.7KOHM,5%,1/8W,AA,TP,1.8X3.2MM		....4R024	2004-001390	R-METAL(S);1Kohm,2%,1/2W,AA,TP,2.4x6.4mm	
....4R125	2001-000734	R-CARBON;4.7KOHM,5%,1/8W,AA,TP,1.8X3.2MM		....4R024	2004-001397	R-METAL(S);4.7Kohm,1%,1/2W,AA,TP,2.4x6.4	
....4R125	2001-000761	R-CARBON;430OHM,5%,1/8W,AA,TP,1.8X3.2MM		....4R024	2004-001889	R-METAL(S);127Kohm,1%,1/2W,AA,TP,2.5x6.5	
....4R125	2001-000766	R-CARBON;43KOHM,5%,1/8W,AA,TP,1.8X3.2MM		....4R024	2004-001891	R-METAL(S);133Kohm,1%,1/2W,AA,TP,2.5x6.5	
....4R125	2001-000780	R-CARBON;470OHM,5%,1/8W,AA,TP,1.8X3.2MM		....4R024	2004-001983	R-METAL(S);2.49Kohm,1%,1/2W,AA,TP,2.4x6.4	
....4R125	2001-000780	R-CARBON;470OHM,5%,1/8W,AA,TP,1.8X3.2MM		....4R024	2004-001984	R-METAL(S);26.7Kohm,1%,1/2W,AA,TP,2.4x6.4	
....4R125	2001-000780	R-CARBON;470OHM,5%,1/8W,AA,TP,1.8X3.2MM		....4R024	2004-001986	R-METAL(S);35.7Kohm,1%,1/2W,AA,TP,2.4x6.4	
....4R125	2001-000780	R-CARBON;470OHM,5%,1/8W,AA,TP,1.8X3.2MM		....4R024	2004-004045	R-METAL(S);390ohm,1%,1/2W,AA,TP,2.5x6.5m	
....4R125	2001-000780	R-CARBON;470OHM,5%,1/8W,AA,TP,1.8X3.2MM		....4R024	2004-004970	R-METAL(S);62Kohm,1%,1/8W,AA,TP,1.8X3.2m	
....4R125	2001-000793	R-CARBON;47OHM,5%,1/8W,AA,TP,1.8X3.2MM		....4R024	2004-005054	R-METAL(S);39KOHM,1%,1/2W,AA,TP,2.4X6.4M	
....4R125	2001-000832	R-CARBON;510OHM,5%,1/8W,AA,TP,1.8X3.2MM		....4R024	2004-005054	R-METAL(S);39KOHM,1%,1/2W,AA,TP,2.4X6.4M	
....4R125	2001-000832	R-CARBON;510OHM,5%,1/8W,AA,TP,1.8X3.2MM		....4R024	2004-005059	R-METAL(S);2.7KOHM,1%,1/2W,AA,TP,6.4X2.4	
....4R125	2001-000832	R-CARBON;510OHM,5%,1/8W,AA,TP,1.8X3.2MM		....4R814	2005-001014	R-WIRE WOUND,NON;0.13ohm,5%,2W,AA,TP,3.8	
....4R125	2001-000832	R-CARBON;510OHM,5%,1/8W,AA,TP,1.8X3.2MM		....4R834	2008-000205	R-FUSIBLE(S);10ohm,5%,1/2W,AF,TP,2.5x6.5	
....4R125	2001-000832	R-CARBON;510OHM,5%,1/8W,AA,TP,1.8X3.2MM		....4R809B	2008-000206	R-FUSIBLE(S);1ohm,5%,1/2W,AF,TP,2.5x6.5m	
....4R125	2001-000832	R-CARBON;510OHM,5%,1/8W,AA,TP,1.8X3.2MM		....4R829	2008-000252	R-FUSIBLE(S);0.47ohm,10%,1/2W,AF,TP,2.5x	
....4R125	2001-000869	R-CARBON;56OHM,5%,1/8W,AA,TP,1.8X3.2MM		....4R413	2008-000253	R-FUSIBLE(S);0.47ohm,5%,1W,AF,TP,3.9x10m	
....4R125	2001-000869	R-CARBON;56OHM,5%,1/8W,AA,TP,1.8X3.2MM		....4R516	2008-000254	R-FUSIBLE(S);0.68ohm,5%,2W,AF,TP,3.9x10m	
....4R125	2001-000869	R-CARBON;56OHM,5%,1/8W,AA,TP,1.8X3.2MM		....4R414	2008-000264	R-FUSIBLE(S);1ohm,5%,1W,AF,TP,3.9x10mm	
....4R125	2001-000878	R-CARBON;6.2KOHM,5%,1/8W,AA,TP,1.8X3.2MM		....4RR01S	2008-000264	R-FUSIBLE(S);1ohm,5%,1W,AF,TP,3.9x10mm	

Loc. No.	Code No.	Description ; Specification	Remark	Loc. No.	Code No.	Description ; Specification	Remark
....4 R825	2008-000284	R-FUSIBLE(S);0.10HM,10%,2W,AF,TP,3.9X10MM		....4 C807	2301-001342	C-FILM,LEAD-PPF;1.5nF,5%,800V,TP,15x6.5x	
....4 R827	2008-000284	R-FUSIBLE(S);0.10HM,10%,2W,AF,TP,3.9X10MM		....4 CR404S	2303-001001	C-FILM,LEAD-PPF;22nF,5%,630V,TP,18x14.5x	
....4 R304	2008-001015	R-FUSIBLE(S);1.5ohm,5%,2W,AF,TP,3.9x10mm		....4 C2560	2305-000237	C-FILM,LEAD-PEF;1uF,5%,63V,TP,7.5x15.5mm	
....4 R898	2008-001076	R-FUSIBLE(S);1.8ohm,5%,2W,AF,TP,3.9x10mm		....4 C2560	2305-000285	C-FILM,LEAD-PEF;220nF,5%,100V,TP,10.5X5.	
....4 R899	2008-001076	R-FUSIBLE(S);1.8ohm,5%,2W,AF,TP,3.9x10mm		....4 C2560	2305-000289	C-FILM,LEAD-PEF;220nF,5%,63V,TP,-,5mm	
....4 R418	2008-001137	R-FUSIBLE(S);3.3ohm,5%,1W,AF,TP,3.9x10mm		....4 C2560	2305-000289	C-FILM,LEAD-PEF;220nF,5%,63V,TP,-,5mm	
....4 R828	2008-001138	R-FUSIBLE;2.4OHM,5%,1W,AF,TP,3.9X10MM		....4 C2560	2305-000382	C-FILM,LEAD-PEF;4.7nF,5%,400V,TP,-,5mm	
....4 R0251	2009-000021	R-METAL PLATE;0.33ohm,10%,5W,CL,TP,5x14x		....4 C2560	2305-000411	C-FILM,LEAD-PEF;470nF,5%,50V,TP,7.3x4.8x	
....4 C598	2201-000132	C-CERAMIC,DISC;0.1NF,10%,500V,Y5P,TP,6.5		....4 C2560	2305-000411	C-FILM,LEAD-PEF;470nF,5%,50V,TP,7.3x4.8x	
....4 C598	2201-000192	C-CERAMIC,DISC;0.01NF,0.25PF,500V,COG,TP		....4 C2560	2305-000411	C-FILM,LEAD-PEF;470nF,5%,50V,TP,7.3x4.8x	
....4 C598	2201-000291	C-CERAMIC,DISC;1NF,10%,500V,Y5P,TP,7.5X3		....4 C2560	2305-000411	C-FILM,LEAD-PEF;470nF,5%,50V,TP,7.3x4.8x	
....4 C598	2201-000332	C-CERAMIC,DISC;2.2NF,20%,250V,Y5U,TP,9X4		....4 C2560	2305-000412	C-FILM,LEAD-PEF;470nF,5%,63V,TP,-,5mm	
....4 C598	2201-000332	C-CERAMIC,DISC;2.2NF,20%,250V,Y5U,TP,9X4		....4 C2560	2305-000412	C-FILM,LEAD-PEF;470nF,5%,63V,TP,-,5mm	
....4 C598	2201-000374	C-CERAMIC,DISC;0.22NF,5%,50V,COG,TP,10.5		....4 C2560	2305-000412	C-FILM,LEAD-PEF;470nF,5%,63V,TP,-,5mm	
....4 C598	2201-000389	C-CERAMIC,DISC;0.022NF,5%,50V,COG,TP,5X3		....4 C2560	2305-000412	C-FILM,LEAD-PEF;470nF,5%,63V,TP,-,5mm	
....4 C598	2201-000389	C-CERAMIC,DISC;0.022NF,5%,50V,COG,TP,5X3		....4 C2560	2305-000624	C-FILM,LEAD-PEF;330nF,10%,100V,TP,-,5mm	
....4 C598	2201-000406	C-CERAMIC,DISC;0.27NF,10%,2KV,Y5P,TP,6.3		....4 C2560	2305-000665	C-FILM,LEAD-PEF;100nF,5%,63V,TP,7.5x4.0x	
....4 C598	2201-000556	C-CERAMIC,DISC;0.47NF,10%,500V,Y5P,TP,5.		....4 C2560	2305-000665	C-FILM,LEAD-PEF;100nF,5%,63V,TP,7.5x4.0x	
....4 C598	2201-000556	C-CERAMIC,DISC;0.47NF,10%,500V,Y5P,TP,5.		....4 C2560	2305-000665	C-FILM,LEAD-PEF;100nF,5%,63V,TP,7.5x4.0x	
....4 C598	2201-000556	C-CERAMIC,DISC;0.47NF,10%,500V,Y5P,TP,5.		....4 C2560	2305-000665	C-FILM,LEAD-PEF;100nF,5%,63V,TP,7.5x4.0x	
....4 C598	2201-000556	C-CERAMIC,DISC;0.47NF,10%,500V,Y5P,TP,5.		....4 C2560	2305-000665	C-FILM,LEAD-PEF;100nF,5%,63V,TP,7.5x4.0x	
....4 C598	2201-000558	C-CERAMIC,DISC;0.47NF,10%,50V,Y5P,TP,5X3		....4 C2560	2305-001037	C-FILM,LEAD-PEF;330nF,5%,63V,TP,7.5x5.5x	
....4 C598	2201-000599	C-CERAMIC,DISC;0.56NF,10%,500V,Y5P,TP,5.		....4 C2560	2305-001037	C-FILM,LEAD-PEF;330nF,5%,63V,TP,7.5x5.5x	
....4 C598	2201-000599	C-CERAMIC,DISC;0.56NF,10%,500V,Y5P,TP,5.		....4 C2560	2305-001037	C-FILM,LEAD-PEF;330nF,5%,63V,TP,7.5x5.5x	
....4 C598	2201-000723	C-CERAMIC,DISC;4.7NF,20%,3KV,Y5U,TP,16X5		....4 CV101	2306-000122	C-FILM,LEAD-PPF;100nF,5%,50V,TP,7.3x4.0x	
....4 C689	2202-000121	C-CERAMIC,MLC-AXIAL;100pF,10%,50V,Y5P,TP		....4 C701	2401-000025	C-AL;100uF,20%,16V,GP,TP,6.3x11,5	
....4 C689	2202-000121	C-CERAMIC,MLC-AXIAL;100pF,10%,50V,Y5P,TP		....4 C701	2401-000025	C-AL;100uF,20%,16V,GP,TP,6.3x11,5	
....4 C689	2202-000231	C-CERAMIC,MLC-AXIAL;0.33NF,10%,50V,Y5P,T		....4 C701	2401-000025	C-AL;100uF,20%,16V,GP,TP,6.3x11,5	
....4 C689	2202-000231	C-CERAMIC,MLC-AXIAL;0.33NF,10%,50V,Y5P,T		....4 C701	2401-000302	C-AL;100uF,20%,25V,GP,TP,6.3x11,5	
....4 C689	2202-000231	C-CERAMIC,MLC-AXIAL;0.33NF,10%,50V,Y5P,T		....4 C701	2401-000360	C-AL;100uF,20%,50V,GP,TP,8x11.5.5	
....4 C689	2202-000231	C-CERAMIC,MLC-AXIAL;0.33NF,10%,50V,Y5P,T		....4 C701	2401-000365	C-AL;100uF,20%,50V,WT,TP,10x12.5mm,	
....4 C689	2202-000231	C-CERAMIC,MLC-AXIAL;0.33NF,10%,50V,Y5P,T		....4 C701	2401-000430	C-AL;10uF,20%,250V,GP,TP,10x16mm,5m	
....4 C689	2202-000231	C-CERAMIC,MLC-AXIAL;0.33NF,10%,50V,Y5P,T		....4 C701	2401-000430	C-AL;10uF,20%,250V,GP,TP,10x16mm,5m	
....4 C689	2202-000231	C-CERAMIC,MLC-AXIAL;0.33NF,10%,50V,Y5P,T		....4 C701	2401-000480	C-AL;10uF,20%,50V,GP,TP,5x11,5	
....4 C689	2202-000231	C-CERAMIC,MLC-AXIAL;0.33NF,10%,50V,Y5P,T		....4 C701	2401-000480	C-AL;10uF,20%,50V,GP,TP,5x11,5	
....4 C689	2202-000231	C-CERAMIC,MLC-AXIAL;0.33NF,10%,50V,Y5P,T		....4 C701	2401-000493	C-AL;10uF,20%,50V,LZ,TP,5x11mm,5mm	
....4 C689	2202-000231	C-CERAMIC,MLC-AXIAL;0.33NF,10%,50V,Y5P,T		....4 C701	2401-000603	C-AL;1UF,20%,50V,GP,TP,5X11,2	
....4 C689	2202-000243	C-CERAMIC,MLC-AXIAL;33pF,5%,50V,SL,TP,3.		....4 C701	2401-000603	C-AL;1UF,20%,50V,GP,TP,5X11,2	
....4 C689	2202-000243	C-CERAMIC,MLC-AXIAL;33pF,5%,50V,SL,TP,3.		....4 C701	2401-000947	C-AL;22uF,20%,35V,GP,TP,5x11,5	
....4 C689	2202-000243	C-CERAMIC,MLC-AXIAL;33pF,5%,50V,SL,TP,3.		....4 C701	2401-001026	C-AL;3.3UF,20%,50V,GP,TP,5X11,5	
....4 C689	2202-000243	C-CERAMIC,MLC-AXIAL;33pF,5%,50V,SL,TP,3.		....4 C701	2401-001397	C-AL;470uF,20%,25V,GP,TP,10x16,5	
....4 C689	2202-000796	C-CERAMIC,MLC-AXIAL;1NF,10%,50V,Y5P,TP,3		....4 C701	2401-001513	C-AL;47uF,20%,16V,WT,TP,5x11,5	
....4 C689	2202-000796	C-CERAMIC,MLC-AXIAL;1NF,10%,50V,Y5P,TP,3		....4 C701	2401-001527	C-AL;47uF,20%,250V,HR,TP,13x25mm,5m	
....4 C689	2202-000796	C-CERAMIC,MLC-AXIAL;1NF,10%,50V,Y5P,TP,3		....4 C701	2401-001914	C-AL;1uF,20%,50V,BP,TP,5x11,5	
....4 C689	2202-000796	C-CERAMIC,MLC-AXIAL;1NF,10%,50V,Y5P,TP,3		....4 C701	2401-001914	C-AL;1uF,20%,50V,BP,TP,5x11,5	
....4 C689	2202-000796	C-CERAMIC,MLC-AXIAL;1NF,10%,50V,Y5P,TP,3		....4 C701	2401-001989	C-AL;4.7uF,20%,50V,BP,TP,5x11,5	
....4 C689	2202-000796	C-CERAMIC,MLC-AXIAL;1NF,10%,50V,Y5P,TP,3		....4 C701	2401-001989	C-AL;4.7uF,20%,50V,BP,TP,5x11,5	
....4 C689	2202-000796	C-CERAMIC,MLC-AXIAL;1NF,10%,50V,Y5P,TP,3		....4 C701	2401-001989	C-AL;4.7uF,20%,50V,BP,TP,5x11,5	
....4 C689	2202-000796	C-CERAMIC,MLC-AXIAL;1NF,10%,50V,Y5P,TP,3		....4 C701	2401-001989	C-AL;4.7uF,20%,50V,BP,TP,5x11,5	
....4 C689	2202-000796	C-CERAMIC,MLC-AXIAL;1NF,10%,50V,Y5P,TP,3		....4 C701	2401-001989	C-AL;4.7uF,20%,50V,BP,TP,5x11,5	
....4 C689	2202-000796	C-CERAMIC,MLC-AXIAL;1NF,10%,50V,Y5P,TP,3		....4 C701	2401-001989	C-AL;4.7uF,20%,50V,BP,TP,5x11,5	
....4 C689	2202-000796	C-CERAMIC,MLC-AXIAL;1NF,10%,50V,Y5P,TP,3		....4 C701	2401-001998	C-AL;1000uF,20%,25V,GP,TP,10x20,5mm	
....4 C689	2202-000796	C-CERAMIC,MLC-AXIAL;1NF,10%,50V,Y5P,TP,3		....4 C701	2401-002075	C-AL;4.7uF,20%,50V,GP,TP,5x11,5	
....4 C689	2202-000796	C-CERAMIC,MLC-AXIAL;1NF,10%,50V,Y5P,TP,3		....4 C701	2401-002075	C-AL;4.7uF,20%,50V,GP,TP,5x11,5	
....4 C689	2202-000796	C-CERAMIC,MLC-AXIAL;1NF,10%,50V,Y5P,TP,3		....4 C701	2401-002075	C-AL;4.7uF,20%,50V,GP,TP,5x11,5	
....4 C689	2202-000796	C-CERAMIC,MLC-AXIAL;1NF,10%,50V,Y5P,TP,3		....4 C701	2401-002144	C-AL;47uF,20%,16V,GP,TP,5x11,5	
....4 C689	2202-000849	C-CERAMIC,MLC-AXIAL;0.018NF,5%,50V,COG,T		....4 C701	2401-002144	C-AL;47uF,20%,16V,GP,TP,5x11,5	
....4 C689	2202-000863	C-CERAMIC,MLC-AXIAL;560pF,10%,50V,Y5P,TP		....4 C701	2401-002215	C-AL;2200uF,20%,25V,WT,TP,13x25,5	
....4 C689	2202-002009	C-CERAMIC,MLC-AXIAL;100NF,+80-20%,50V,Y5		....4 C701	2401-002215	C-AL;2200uF,20%,25V,WT,TP,13x25,5	
....4 C689	2202-002009	C-CERAMIC,MLC-AXIAL;100NF,+80-20%,50V,Y5		....4 C701	2401-002268	C-AL;2.2uF,20%,250V,LZ,TP,8X11,5	
....4 C689	2202-002037	C-CERAMIC,MLC-AXIAL;100nF,80-20%,50V,Y5V		....4 C701	2401-002288	C-AL;470uF,20%,25V,WT,TP,10x20,5	
....4 C689	2202-002037	C-CERAMIC,MLC-AXIAL;100nF,80-20%,50V,Y5V		....4 C701	2401-002463	C-AL;470uF,20%,16V,GP,TP,8x11.5.5	
....4 C689	2202-002037	C-CERAMIC,MLC-AXIAL;100nF,80-20%,50V,Y5V		....4 C701	2401-002594	C-AL;220uF,20%,16V,GP,TP,8x11.5.5	
....4 C689	2202-002037	C-CERAMIC,MLC-AXIAL;100nF,80-20%,50V,Y5V		....4 C701	2401-002597	C-AL;220uF,20%,35V,GP,TP,10x12.5,5	
....4 C689	2202-002037	C-CERAMIC,MLC-AXIAL;100nF,80-20%,50V,Y5V		....4 C701	2401-002619	C-AL;47uF,20%,25V,GP,TP,5x11,5	
....4 C2560	2301-000192	C-FILM,LEAD-PEF;1nF,5%,50V,TP,5.3x10mm,5		....4 C701	2401-002619	C-AL;47uF,20%,25V,GP,TP,5x11,5	
....4 C2560	2301-000224	C-FILM,LEAD-PEF;22nF,5%,50V,TP,7.4x3.9x1		....4 C701	2401-002619	C-AL;47uF,20%,25V,GP,TP,5x11,5	
....4 C2560	2301-000224	C-FILM,LEAD-PEF;22nF,5%,50V,TP,7.4x3.9x1		....4 C701	2401-002619	C-AL;47uF,20%,25V,GP,TP,5x11,5	
....4 C2560	2301-000342	C-FILM,LEAD-PEF;2.2nF,5%,50V,TP,7.4x3.9x		....4 C701	2401-002619	C-AL;47uF,20%,25V,GP,TP,5x11,5	
....4 C2560	2301-000356	C-FILM,LEAD-PEF;47nF,5%,50V,TP,7.5x4.0x6		....4 C701	2401-002619	C-AL;47uF,20%,25V,GP,TP,5x11,5	
....4 C2560	2301-000383	C-FILM,LEAD-PEF;10nF,5%,50V,TP,6x7x3.2mm		....4 C701	2401-002619	C-AL;47uF,20%,25V,GP,TP,5x11,5	
....4 C2560	2301-000383	C-FILM,LEAD-PEF;10nF,5%,50V,TP,6x7x3.2mm		....4 C701	2401-002619	C-AL;47uF,20%,25V,GP,TP,5x11,5	
....4 C2560	2301-000383	C-FILM,LEAD-PEF;10nF,5%,50V,TP,6x7x3.2mm		....4 C701	2401-002619	C-AL;47uF,20%,25V,GP,TP,5x11,5	
....4 CV223B	2301-001211	C-FILM,LEAD-PPF;22nF,5%,400V,TP,20x7x14,		....4 C701	2401-002619	C-AL;47uF,20%,25V,GP,TP,5x11,5	



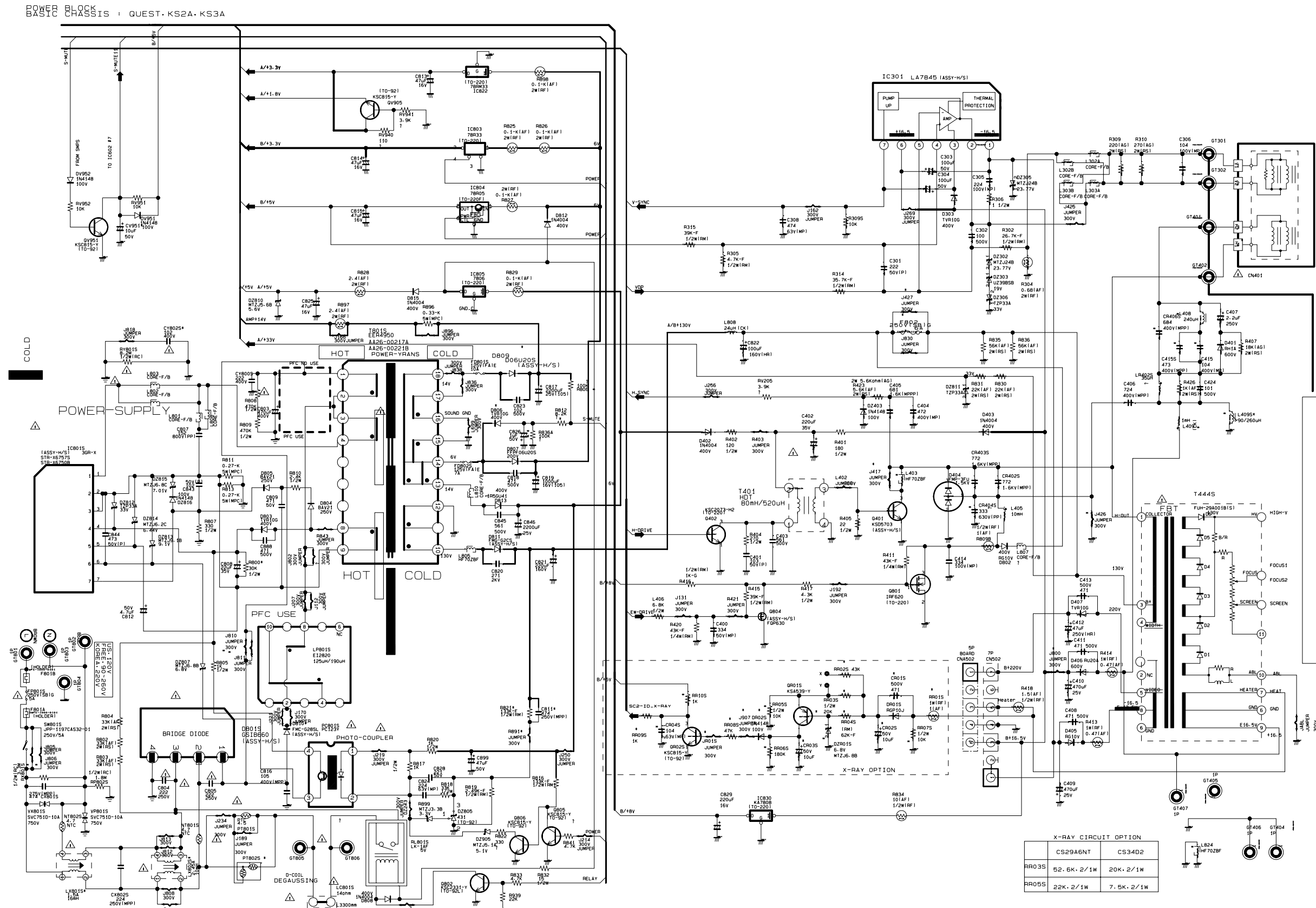
Loc. No.	Code No.	Description ; Specification	Remark	Loc. No.	Code No.	Description ; Specification	Remark
....4 C701	2401-002619	C-AL;47uF,20%,25V,GP,TP,5x11,5		....4 EL857	6042-000001	EYELET;ID2.2,OD2.7,L3.1,NI+SN,BSP3-1/2H	S.N.A
....4 C701	2401-002619	C-AL;47uF,20%,25V,GP,TP,5x11,5		....4 EL868	6042-000001	EYELET;ID2.2,OD2.7,L3.1,NI+SN,BSP3-1/2H	S.N.A
....4 C701	2401-003555	C-AL;3300uF,20%,25V,WT,TP,16x25,7,5		....4 EY981	6042-000001	EYELET;ID2.2,OD2.7,L3.1,NI+SN,BSP3-1/2H	S.N.A
....4 C701	2401-003578	C-AL;1000uF,20%,10V,GP,TP,8x20mm,5		....4 EY986	6042-000001	EYELET;ID2.2,OD2.7,L3.1,NI+SN,BSP3-1/2H	S.N.A
....4 C701	2401-003578	C-AL;1000uF,20%,10V,GP,TP,8x20mm,5		....4 ET984	6042-000002	EYELET;ID1.5,OD2,L2.8,NI+SN,BSP3-1/2H	S.N.A
....4 J105	2701-000114	INDUCTOR-AXIAL;10UH,10%,2534		....4 EY400	6042-000002	EYELET;ID1.5,OD2,L2.8,NI+SN,BSP3-1/2H	S.N.A
....4 J243	2701-000114	INDUCTOR-AXIAL;10UH,10%,2534		....4 EY401	6042-000002	EYELET;ID1.5,OD2,L2.8,NI+SN,BSP3-1/2H	S.N.A
....4 LV101	2701-000114	INDUCTOR-AXIAL;10UH,10%,2534		....4 EY600	6042-000002	EYELET;ID1.5,OD2,L2.8,NI+SN,BSP3-1/2H	S.N.A
....4 LV110	2701-000114	INDUCTOR-AXIAL;10UH,10%,2534		....4 EY601	6042-000002	EYELET;ID1.5,OD2,L2.8,NI+SN,BSP3-1/2H	S.N.A
....4 LV199	2701-000114	INDUCTOR-AXIAL;10UH,10%,2534		....4 EY602	6042-000002	EYELET;ID1.5,OD2,L2.8,NI+SN,BSP3-1/2H	S.N.A
....4 LV252A	2701-000114	INDUCTOR-AXIAL;10UH,10%,2534		....4 EY603	6042-000002	EYELET;ID1.5,OD2,L2.8,NI+SN,BSP3-1/2H	S.N.A
....4 LV252B	2701-000114	INDUCTOR-AXIAL;10UH,10%,2534		....4 EY800	6042-000002	EYELET;ID1.5,OD2,L2.8,NI+SN,BSP3-1/2H	S.N.A
....4 LV204	2701-000115	INDUCTOR-AXIAL;10UH,10%,3070		....4 EY801	6042-000002	EYELET;ID1.5,OD2,L2.8,NI+SN,BSP3-1/2H	S.N.A
....4 L104	2701-000116	INDUCTOR-AXIAL;10UH,10%,4298		....4 EY802	6042-000002	EYELET;ID1.5,OD2,L2.8,NI+SN,BSP3-1/2H	S.N.A
....4 LV904	2701-000116	INDUCTOR-AXIAL;10UH,10%,4298		....4 EY803	6042-000002	EYELET;ID1.5,OD2,L2.8,NI+SN,BSP3-1/2H	S.N.A
....4 L825	2701-000142	INDUCTOR-AXIAL;1UH,10%,2534		....4 EY804	6042-000002	EYELET;ID1.5,OD2,L2.8,NI+SN,BSP3-1/2H	S.N.A
....4 LV701	2701-000142	INDUCTOR-AXIAL;1UH,10%,2534		....4 EY805	6042-000002	EYELET;ID1.5,OD2,L2.8,NI+SN,BSP3-1/2H	S.N.A
....4 LV702	2701-000142	INDUCTOR-AXIAL;1UH,10%,2534		....4 EY806	6042-000002	EYELET;ID1.5,OD2,L2.8,NI+SN,BSP3-1/2H	S.N.A
....4 LV703	2701-000142	INDUCTOR-AXIAL;1UH,10%,2534		....4 EY807	6042-000002	EYELET;ID1.5,OD2,L2.8,NI+SN,BSP3-1/2H	S.N.A
....4 LV201	2701-000143	INDUCTOR-AXIAL;1UH,10%,3070		....4 EY808	6042-000002	EYELET;ID1.5,OD2,L2.8,NI+SN,BSP3-1/2H	S.N.A
....4 LV202	2701-000143	INDUCTOR-AXIAL;1UH,10%,3070		....4 EY809	6042-000002	EYELET;ID1.5,OD2,L2.8,NI+SN,BSP3-1/2H	S.N.A
....4 LV203	2701-000143	INDUCTOR-AXIAL;1UH,10%,3070		....4 EY810	6042-000002	EYELET;ID1.5,OD2,L2.8,NI+SN,BSP3-1/2H	S.N.A
....4 LV901	2701-000143	INDUCTOR-AXIAL;1UH,10%,3070		....4 EY811	6042-000002	EYELET;ID1.5,OD2,L2.8,NI+SN,BSP3-1/2H	S.N.A
....4 LV905	2701-000158	INDUCTOR-AXIAL;22UH,10%,2534		....4 EY812	6042-000002	EYELET;ID1.5,OD2,L2.8,NI+SN,BSP3-1/2H	S.N.A
....4 LV205	2701-000159	INDUCTOR-AXIAL;22UH,10%,4298		....4 EY813	6042-000002	EYELET;ID1.5,OD2,L2.8,NI+SN,BSP3-1/2H	S.N.A
....4 L607	2701-000177	INDUCTOR-AXIAL;33UH,10%,2534		....4 EY814	6042-000002	EYELET;ID1.5,OD2,L2.8,NI+SN,BSP3-1/2H	S.N.A
....4 L608	2701-000177	INDUCTOR-AXIAL;33UH,10%,2534		....4 EY815	6042-000002	EYELET;ID1.5,OD2,L2.8,NI+SN,BSP3-1/2H	S.N.A
....4 L701	2701-000177	INDUCTOR-AXIAL;33UH,10%,2534		....4 EY816	6042-000002	EYELET;ID1.5,OD2,L2.8,NI+SN,BSP3-1/2H	S.N.A
....4 L702	2701-000177	INDUCTOR-AXIAL;33UH,10%,2534		....4 EY817	6042-000002	EYELET;ID1.5,OD2,L2.8,NI+SN,BSP3-1/2H	S.N.A
....4 L705	2701-000177	INDUCTOR-AXIAL;33UH,10%,2534		....4 EY818	6042-000002	EYELET;ID1.5,OD2,L2.8,NI+SN,BSP3-1/2H	S.N.A
....4 L706	2701-000177	INDUCTOR-AXIAL;33UH,10%,2534		....4 EY819	6042-000002	EYELET;ID1.5,OD2,L2.8,NI+SN,BSP3-1/2H	S.N.A
....4 LV206	2701-000184	INDUCTOR-AXIAL;4.7UH,10%,2534		....4 EY820	6042-000002	EYELET;ID1.5,OD2,L2.8,NI+SN,BSP3-1/2H	S.N.A
....4 LV102	2701-000202	INDUCTOR-AXIAL;0.56UH,10%,2534		....4 EY821	6042-000002	EYELET;ID1.5,OD2,L2.8,NI+SN,BSP3-1/2H	S.N.A
....4 L303B	2701-001040	INDUCTOR-AXIAL;10UH,10%,4514		....4 EY822	6042-000002	EYELET;ID1.5,OD2,L2.8,NI+SN,BSP3-1/2H	S.N.A
....4 LV252	2702-001094	INDUCTOR-RADIAL;10uH,10%,4x6mm		....4 EY823	6042-000002	EYELET;ID1.5,OD2,L2.8,NI+SN,BSP3-1/2H	S.N.A
....4 F101	2901-000297	FILTER-EMI ON BOARD;-,3A,-,-,3.5x5,TP,-		....4 EY824	6042-000002	EYELET;ID1.5,OD2,L2.8,NI+SN,BSP3-1/2H	S.N.A
....4 F101	2901-000297	FILTER-EMI ON BOARD;-,3A,-,-,3.5x5,TP,-		....4 EY825	6042-000002	EYELET;ID1.5,OD2,L2.8,NI+SN,BSP3-1/2H	S.N.A
....4 L2514	3301-000287	BEAD-AXIAL;3.5x1.0x6.0mm,3000mA,TP,,50	S.N.A	....4 EY826	6042-000002	EYELET;ID1.5,OD2,L2.8,NI+SN,BSP3-1/2H	S.N.A
....4 L2514	3301-000287	BEAD-AXIAL;3.5x1.0x6.0mm,3000mA,TP,,50	S.N.A	....4 EY827	6042-000002	EYELET;ID1.5,OD2,L2.8,NI+SN,BSP3-1/2H	S.N.A
....4 L2514	3301-000287	BEAD-AXIAL;3.5x1.0x6.0mm,3000mA,TP,,50	S.N.A	....4 EY828	6042-000002	EYELET;ID1.5,OD2,L2.8,NI+SN,BSP3-1/2H	S.N.A
....4 L2514	3301-000287	BEAD-AXIAL;3.5x1.0x6.0mm,3000mA,TP,,50	S.N.A	....4 EY829	6042-000002	EYELET;ID1.5,OD2,L2.8,NI+SN,BSP3-1/2H	S.N.A
....4 L2514	3301-000287	BEAD-AXIAL;3.5x1.0x6.0mm,3000mA,TP,,50	S.N.A	....4 EY832	6042-000002	EYELET;ID1.5,OD2,L2.8,NI+SN,BSP3-1/2H	S.N.A
....4 L2514	3301-000287	BEAD-AXIAL;3.5x1.0x6.0mm,3000mA,TP,,50	S.N.A	....4 EY833	6042-000002	EYELET;ID1.5,OD2,L2.8,NI+SN,BSP3-1/2H	S.N.A
....4 L2514	3301-000287	BEAD-AXIAL;3.5x1.0x6.0mm,3000mA,TP,,50	S.N.A	....4 EY834	6042-000002	EYELET;ID1.5,OD2,L2.8,NI+SN,BSP3-1/2H	S.N.A
....4 L2514	3301-000287	BEAD-AXIAL;3.5x1.0x6.0mm,3000mA,TP,,50	S.N.A	....4 EY835	6042-000002	EYELET;ID1.5,OD2,L2.8,NI+SN,BSP3-1/2H	S.N.A
....4 L2514	3301-000287	BEAD-AXIAL;3.5x1.0x6.0mm,3000mA,TP,,50	S.N.A	....4 EY836	6042-000002	EYELET;ID1.5,OD2,L2.8,NI+SN,BSP3-1/2H	S.N.A
....4 L2514	3301-000287	BEAD-AXIAL;3.5x1.0x6.0mm,3000mA,TP,,50	S.N.A	....4 EY837	6042-000002	EYELET;ID1.5,OD2,L2.8,NI+SN,BSP3-1/2H	S.N.A
....4 L2514	3301-000287	BEAD-AXIAL;3.5x1.0x6.0mm,3000mA,TP,,50	S.N.A	....4 EY838	6042-000002	EYELET;ID1.5,OD2,L2.8,NI+SN,BSP3-1/2H	S.N.A
....4 L2514	3301-000287	BEAD-AXIAL;3.5x1.0x6.0mm,3000mA,TP,,50	S.N.A	....4 EY839	6042-000002	EYELET;ID1.5,OD2,L2.8,NI+SN,BSP3-1/2H	S.N.A
....4 L2514	3301-000287	BEAD-AXIAL;3.5x1.0x6.0mm,3000mA,TP,,50	S.N.A	....4 EY840	6042-000002	EYELET;ID1.5,OD2,L2.8,NI+SN,BSP3-1/2H	S.N.A
....4 L2514	3301-000287	BEAD-AXIAL;3.5x1.0x6.0mm,3000mA,TP,,50	S.N.A	....4 EY841	6042-000002	EYELET;ID1.5,OD2,L2.8,NI+SN,BSP3-1/2H	S.N.A
....4 L2514	3301-000287	BEAD-AXIAL;3.5x1.0x6.0mm,3000mA,TP,,50	S.N.A	....4 EY842	6042-000002	EYELET;ID1.5,OD2,L2.8,NI+SN,BSP3-1/2H	S.N.A
....4 L2514	3301-000287	BEAD-AXIAL;3.5x1.0x6.0mm,3000mA,TP,,50	S.N.A	....4 EY843	6042-000002	EYELET;ID1.5,OD2,L2.8,NI+SN,BSP3-1/2H	S.N.A
....4 SW901	3404-001252	SWITCH-TACT;12VDC,50MA,130GF,7.5X7.1,1		....4 EY844	6042-000002	EYELET;ID1.5,OD2,L2.8,NI+SN,BSP3-1/2H	S.N.A
....4 SW902	3404-001252	SWITCH-TACT;12VDC,50MA,130GF,7.5X7.1,1		....4 EY845	6042-000002	EYELET;ID1.5,OD2,L2.8,NI+SN,BSP3-1/2H	S.N.A
....4 SW903	3404-001252	SWITCH-TACT;12VDC,50MA,130GF,7.5X7.1,1		....4 EY846	6042-000002	EYELET;ID1.5,OD2,L2.8,NI+SN,BSP3-1/2H	S.N.A
....4 SW904	3404-001252	SWITCH-TACT;12VDC,50MA,130GF,7.5X7.1,1		....4 EY847	6042-000002	EYELET;ID1.5,OD2,L2.8,NI+SN,BSP3-1/2H	S.N.A
....4 SW905	3404-001252	SWITCH-TACT;12VDC,50MA,130GF,7.5X7.1,1		....4 EY848	6042-000002	EYELET;ID1.5,OD2,L2.8,NI+SN,BSP3-1/2H	S.N.A
....4 FD802S	3601-001163	FUSE-AXIAL LEAD;125V,7A,-,EPOXY,2.4X7.1M		....4 EY849	6042-000002	EYELET;ID1.5,OD2,L2.8,NI+SN,BSP3-1/2H	S.N.A
....4 FD801S	3601-001228	FUSE-AXIAL LEAD;125V,10A,FAST-ACTING,EPO		....4 EY850	6042-000002	EYELET;ID1.5,OD2,L2.8,NI+SN,BSP3-1/2H	S.N.A
....4 F801A	3602-000114	FUSE-HOLDER;-,30mohm		....4 EY851	6042-000002	EYELET;ID1.5,OD2,L2.8,NI+SN,BSP3-1/2H	S.N.A
....4 F801B	3602-000114	FUSE-HOLDER;-,30mohm		....4 EY852	6042-000002	EYELET;ID1.5,OD2,L2.8,NI+SN,BSP3-1/2H	S.N.A
....4 CN906	3711-002645	CONNECTOR-HEADER;BOX,6P,1R,2.5mm,STRAIGH		....4 EY853	6042-000002	EYELET;ID1.5,OD2,L2.8,NI+SN,BSP3-1/2H	S.N.A
....4 CN906	3711-002647	CONNECTOR-HEADER;BOX,8P,1R,2.5mm,STRAIGH		....4 EY854	6042-000002	EYELET;ID1.5,OD2,L2.8,NI+SN,BSP3-1/2H	S.N.A
....4 T0310	4715-001036	SURGE ABSORBER;500V,20%,-,-,TP	S.N.A	....4 EY855	6042-000002	EYELET;ID1.5,OD2,L2.8,NI+SN,BSP3-1/2H	S.N.A
....4 EL501	6042-000001	EYELET;ID2.2,OD2.7,L3.1,NI+SN,BSP3-1/2H	S.N.A	....4 EY856	6042-000002	EYELET;ID1.5,OD2,L2.8,NI+SN,BSP3-1/2H	S.N.A
....4 EL502	6042-000001	EYELET;ID2.2,OD2.7,L3.1,NI+SN,BSP3-1/2H	S.N.A	....4 EY858	6042-000002	EYELET;ID1.5,OD2,L2.8,NI+SN,BSP3-1/2H	S.N.A
....4 EL800	6042-000001	EYELET;ID2.2,OD2.7,L3.1,NI+SN,BSP3-1/2H	S.N.A	....4 EY859	6042-000002	EYELET;ID1.5,OD2,L2.8,NI+SN,BSP3-1/2H	S.N.A
....4 EL801	6042-000001	EYELET;ID2.2,OD2.7,L3.1,NI+SN,BSP3-1/2H	S.N.A	....4 EY860	6042-000002	EYELET;ID1.5,OD2,L2.8,NI+SN,BSP3-1/2H	S.N.A
....4 EL803	6042-000001	EYELET;ID2.2,OD2.7,L3.1,NI+SN,BSP3-1/2H	S.N.A	....4 EY861	6042-000002	EYELET;ID1.5,OD2,L2.8,NI+SN,BSP3-1/2H	S.N.A
....4 EL804	6042-000001	EYELET;ID2.2,OD2.7,L3.1,NI+SN,BSP3-1/2H	S.N.A	....4 EY863	6042-000002	EYELET;ID1.5,OD2,L2.8,NI+SN,BSP3-1/2H	S.N.A
....4 EL805	6042-000001	EYELET;ID2.2,OD2.7,L3.1,NI+SN,BSP3-1/2H	S.N.A	....4 EY864	6042-000002	EYELET;ID1.5,OD2,L2.8,NI+SN,BSP3-1/2H	S.N.A
....4 EL806	6042-000001	EYELET;ID2.2,OD2.7,L3.1,NI+SN,BSP3-1/2H	S.N.A	....4 EY865	6042-000002	EYELET;ID1.5,OD2,L2.8,NI+SN,BSP3-1/2H	S.N.A
....4 EL807	6042-000001	EYELET;ID2.2,OD2.7,L3.1,NI+SN,BSP3-1/2H	S.N.A	....4 EY866	6042-000002	EYELET;ID1.5,OD2,L2.8,NI+SN,BSP3-1/2H	S.N.A
....4 EL808	6042-000001	EYELET;ID2.2,OD2.7,L3.1,NI+SN,BSP3-1/2H	S.N.A	....4 EY867	6042-000002	EYELET;ID1.5,OD2,L2.8,NI+SN,BSP3-1/2H	S.N.A
....4 EL809	6042-000001	EYELET;ID2.2,OD2.7,L3.1,NI+SN,BSP3-1/2H	S.N.A	....4 EY869	6042-000002	EYELET;ID1.5,OD2,L2.8,NI+SN,BSP3-1/2H	S.N.A
....4 EL810	6042-000001	EYELET;ID2.2,OD2.7,L3.1,NI+SN,BSP3-1/2H	S.N.A	....4 EY870	6042-000002	EYELET;ID1.5,OD2,L2.8,NI+SN,BSP3-1/2H	S.N.A





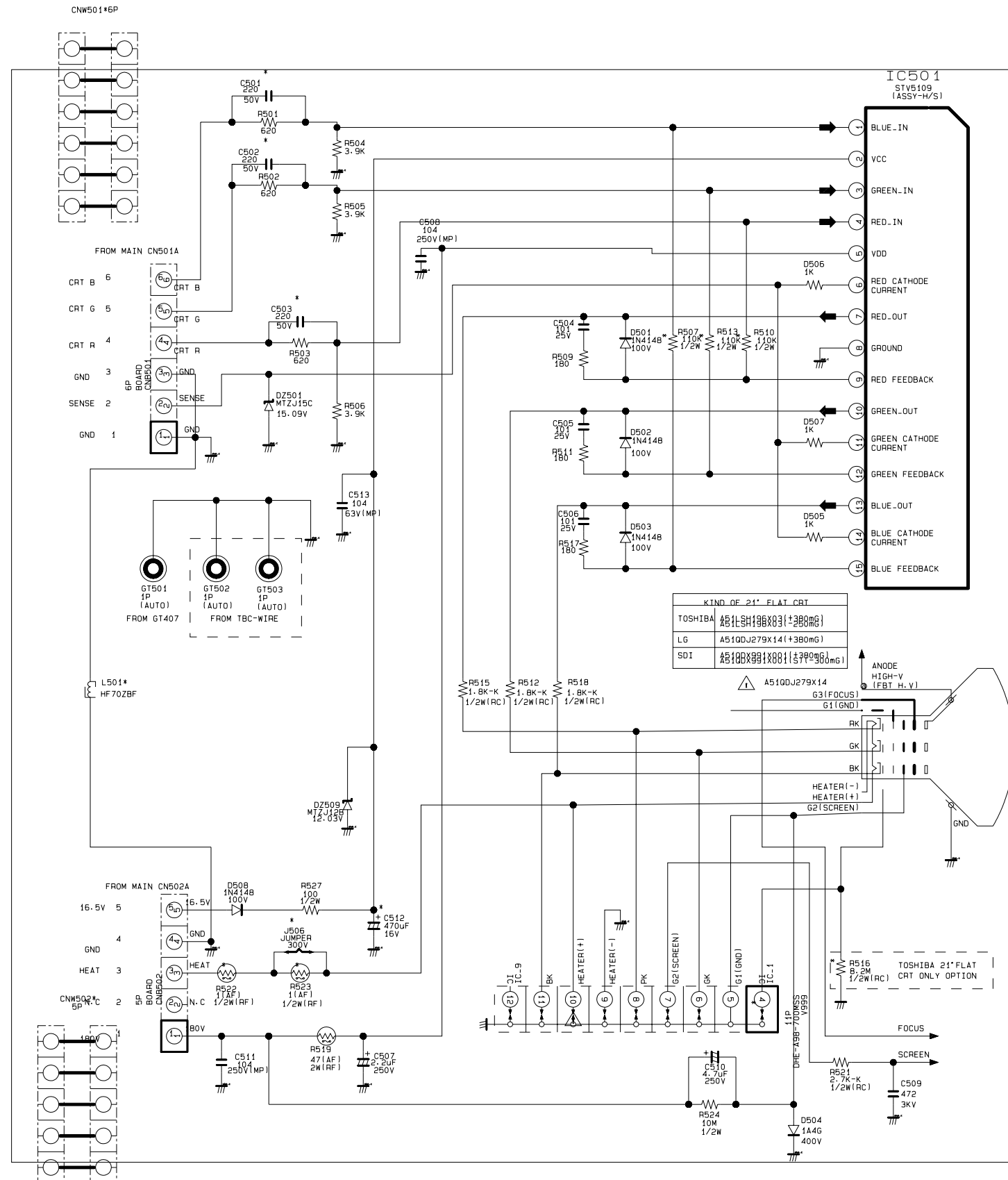
## 6-2 POWER

This Document can not be used without Samsung's authorization.



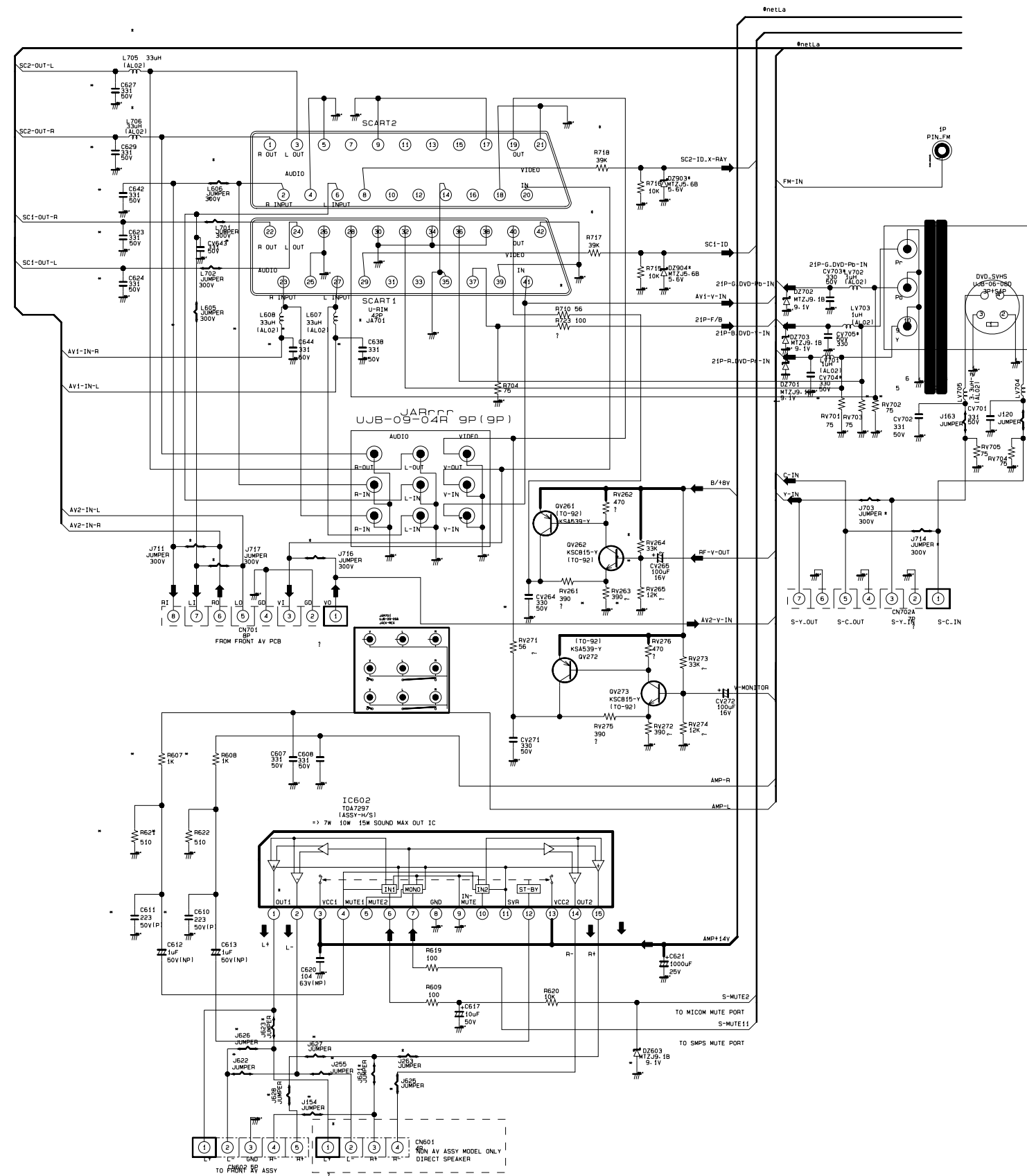
### 6-3 CRT

This Document can not be used without Samsung's authorization.



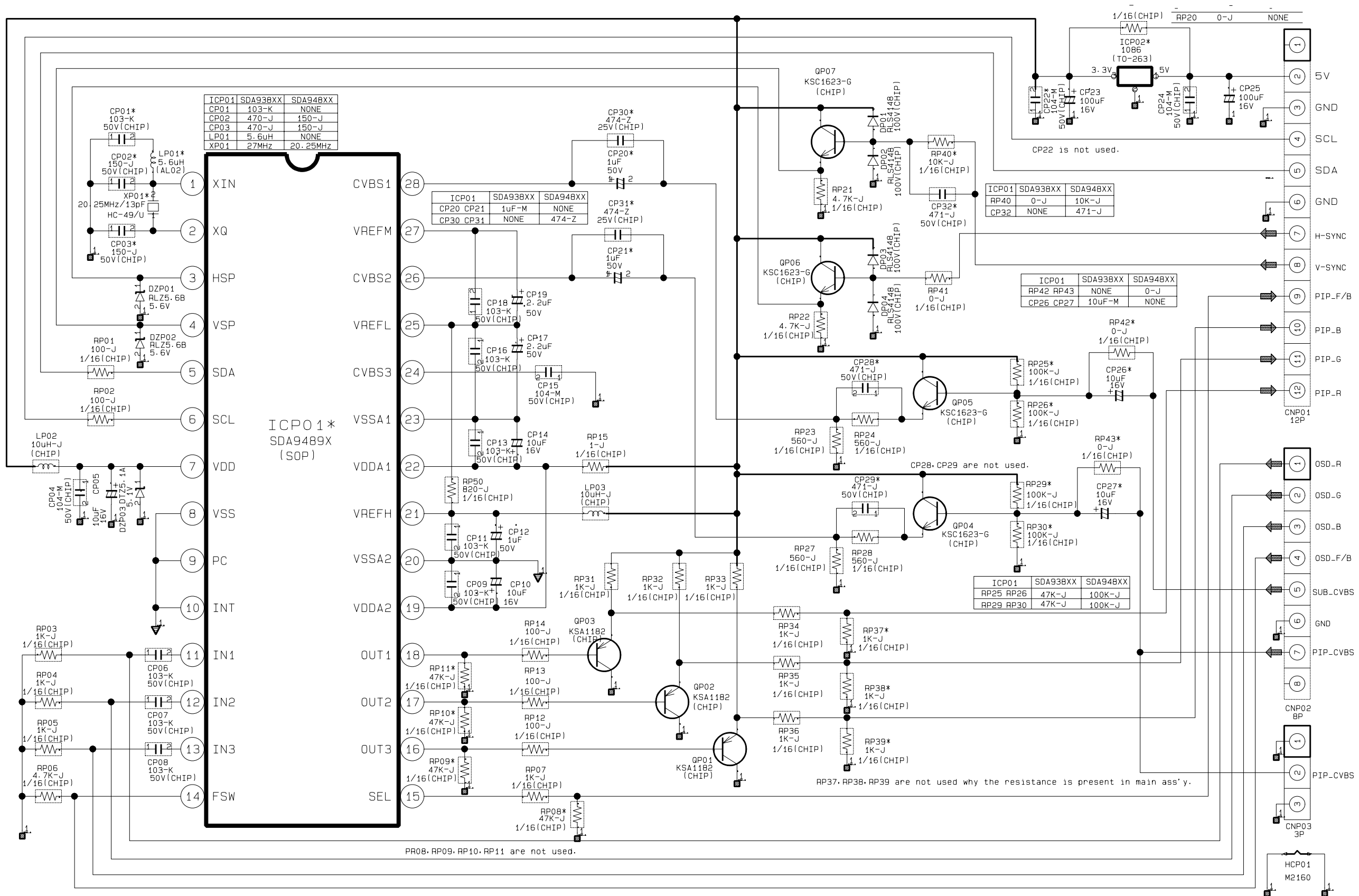
## 6-4 JACK

This Document can not be used without Samsung's authorization.



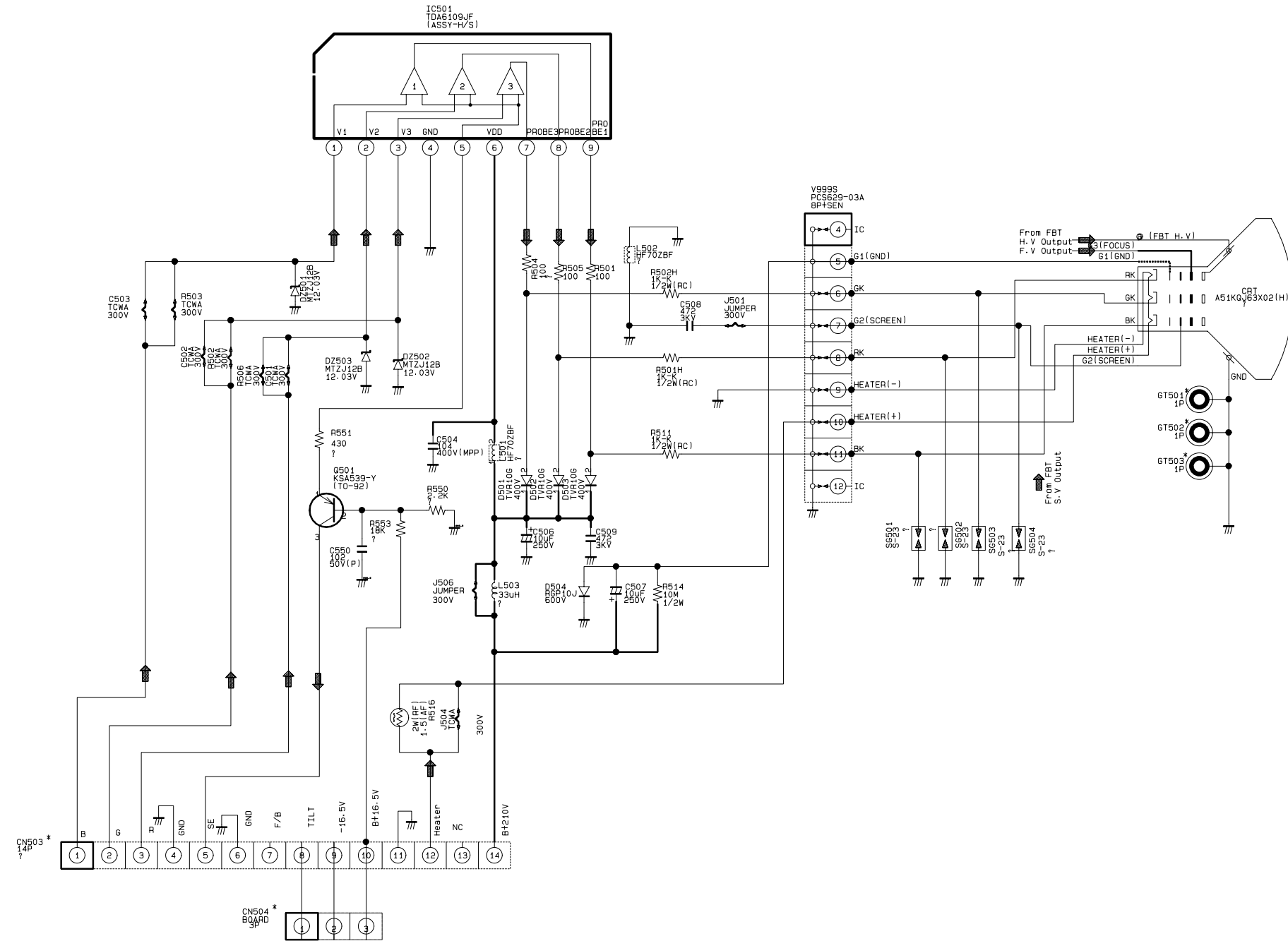
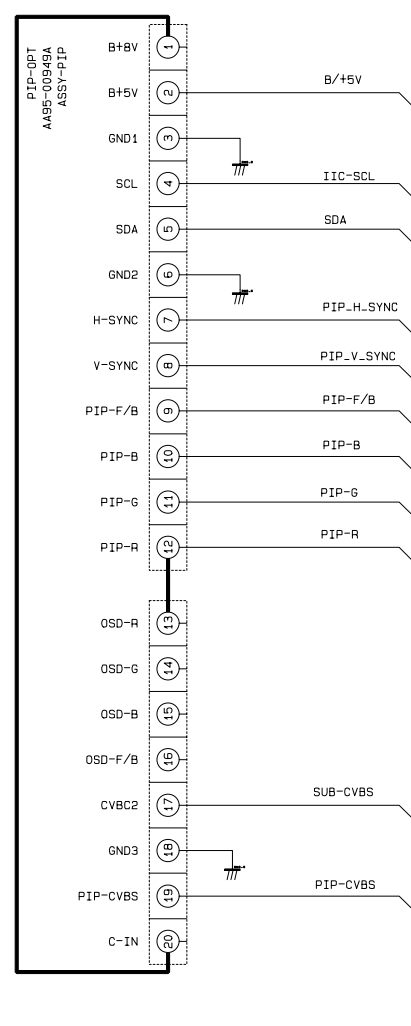
### 6-5 PIP MODULE

This Document can not be used without Samsung's authorization.



## 6-6 CRT 2

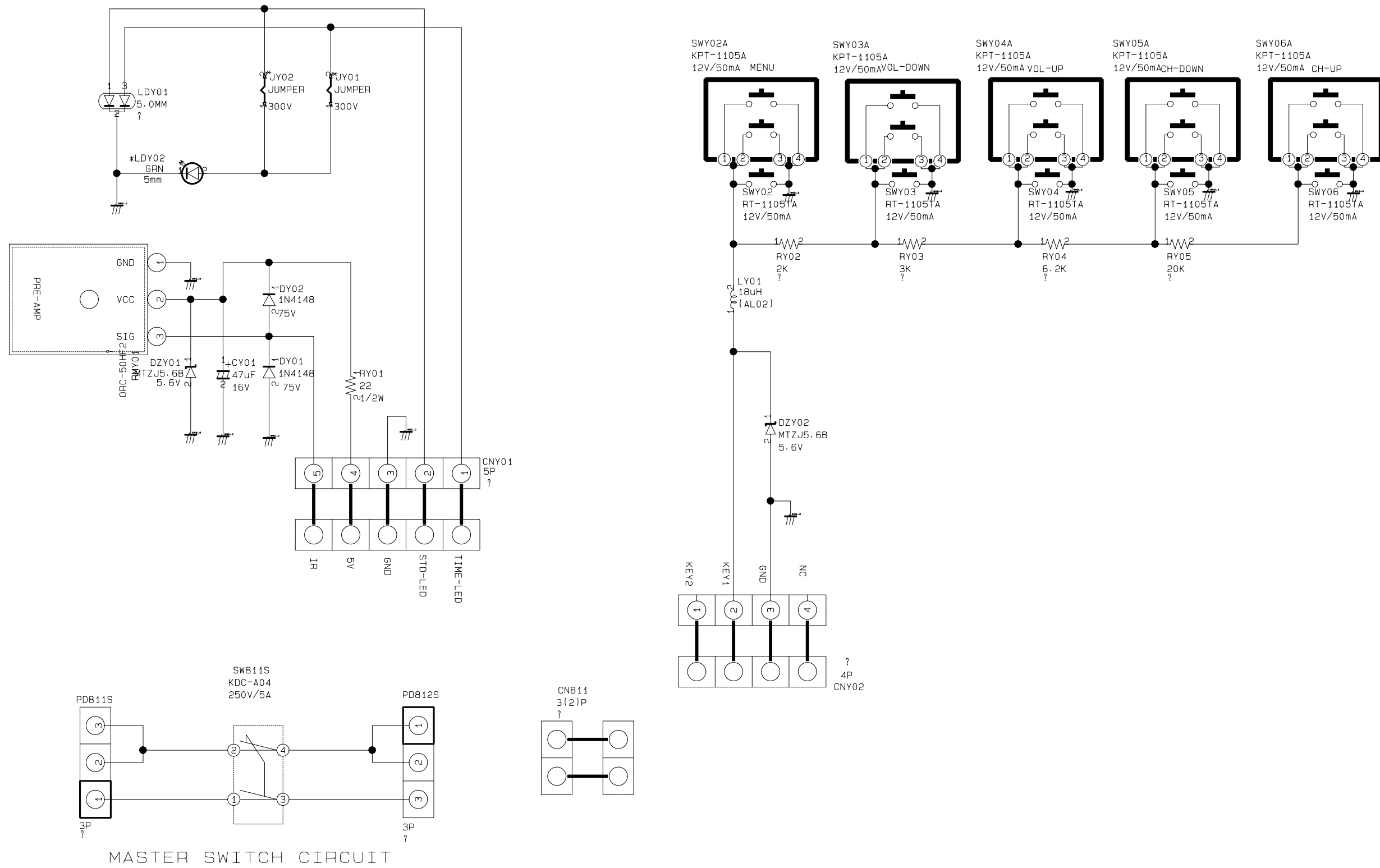
This Document can not be used without Samsung's authorization.





### 6-7 CONTROL

This Document can not be used without Samsung's authorization.



## 6-8 A/V SIDE

This Document can not be used without Samsung's authorization.

