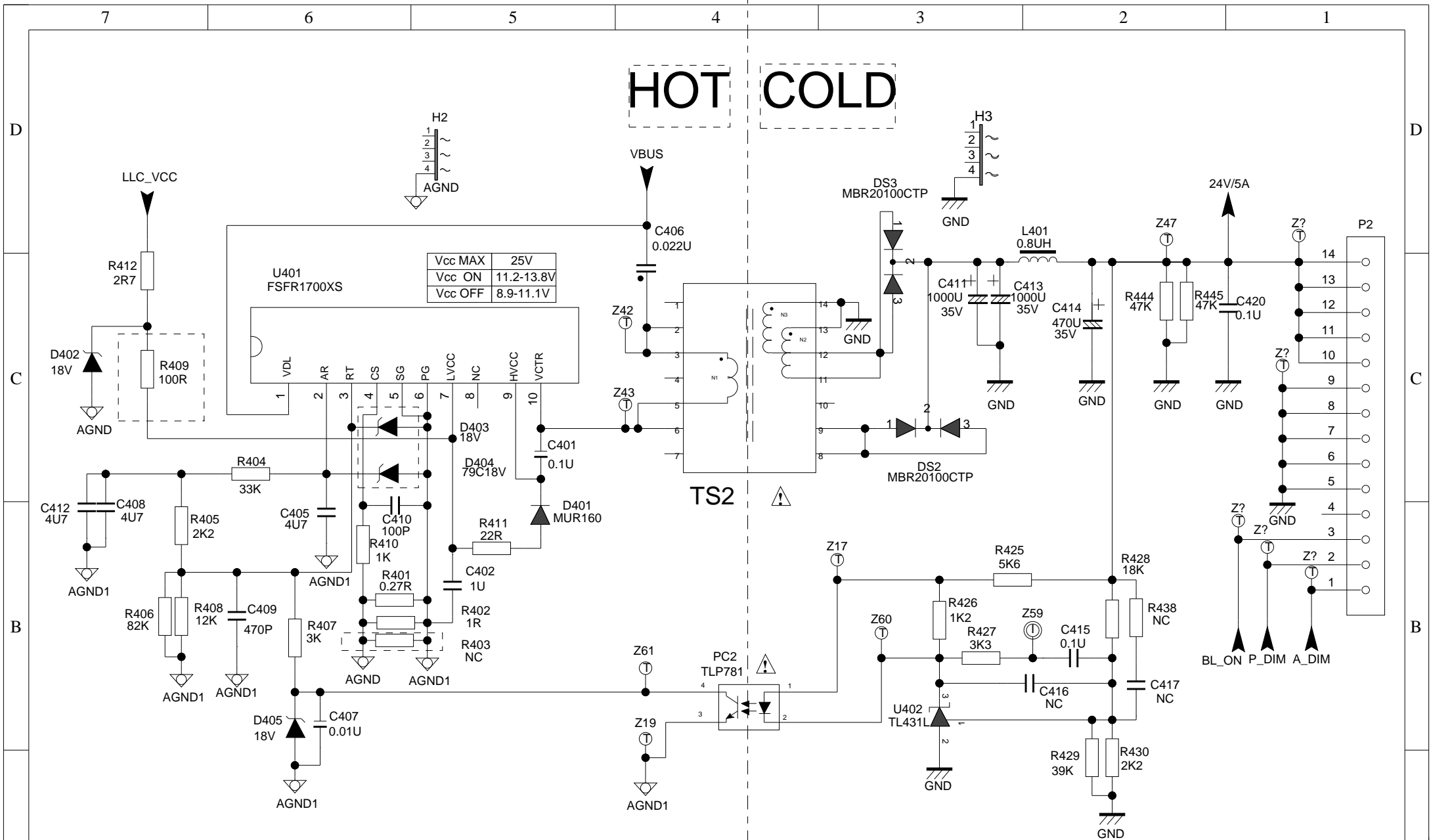


THIS DRAWING CANNOT BE COMMUNICATED TO UNAUTHORIZED PERSONS COPIED UNLESS PERMITTED IN WRITING



Vcc MAX	25V
Vcc ON	11.2-13.8V
Vcc OFF	8.9-11.1V

				SBU :	V01
				TCLNO:	40-E421C6-PWB1XG
				DESIGNATION	PE421C5/PE421C6
Index-Lab	DATE	NAME	DESCRIPTION	Last modif	

TCL

DRAWN	CHECKED	PAGE:	3
ON: 09-01-2011	ON:	OF :	3
BY: QINJS	BY:		

Last saved : 2-10-2012_11:13