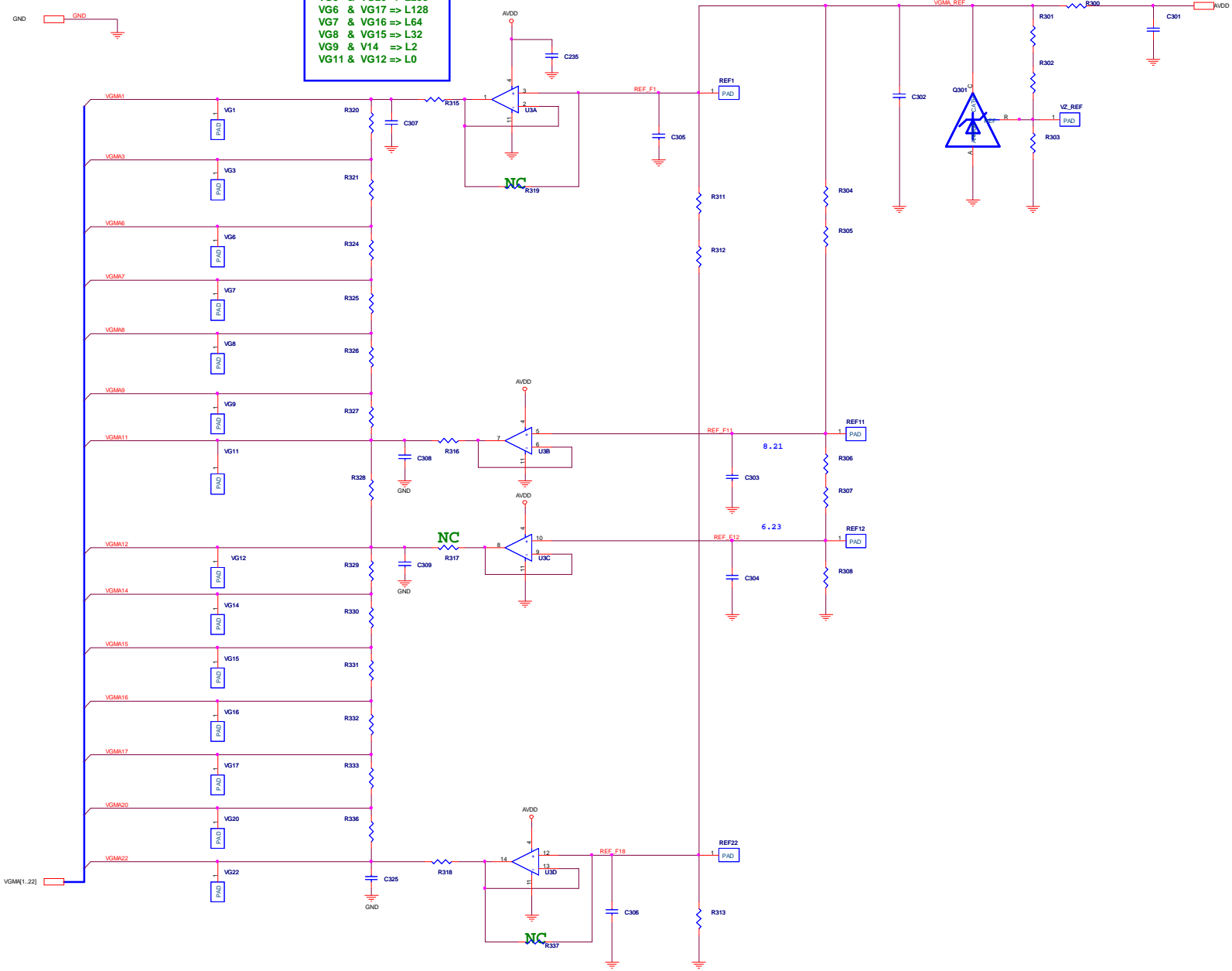


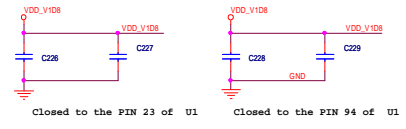
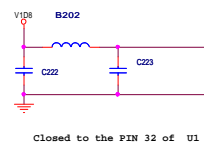
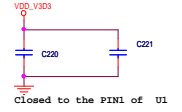
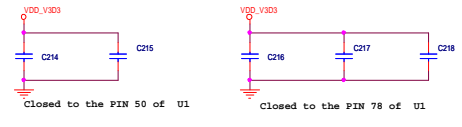
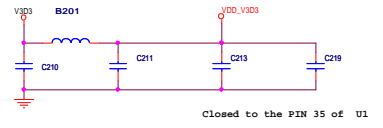
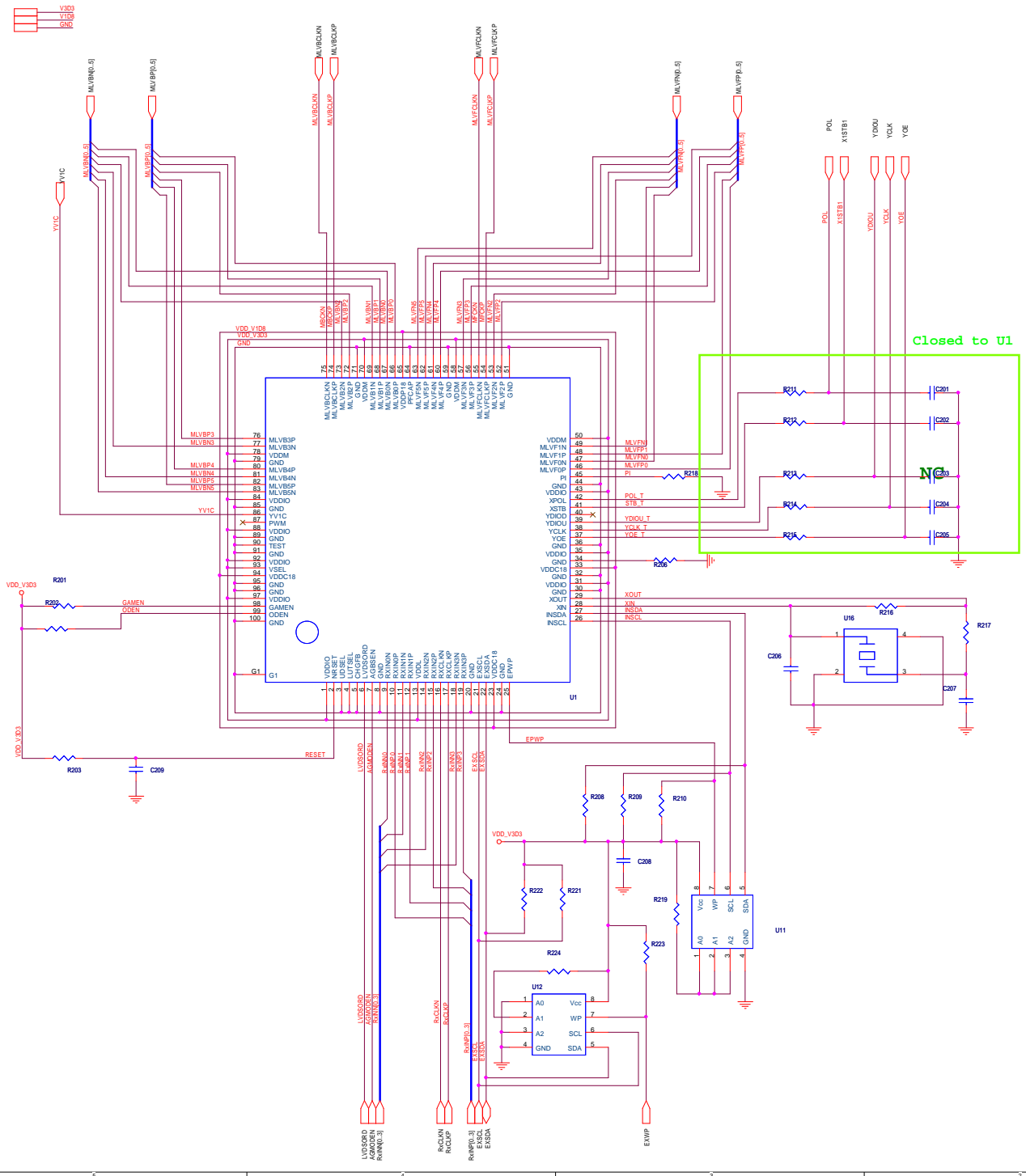
AJO			
Model Name			
T260XW02 VSK0 CPCBA			
Size	Document Number	Rev	
Code	DC-DC Block(BD8160EFY)	FC01	
Date	Thursday, August 21, 2014	Page	2 of 11

VG1 & VG22 => L255.
 VG3 & VG20 => L253
 VG6 & VG17 => L128
 VG7 & VG16 => L64
 VG8 & VG15 => L32
 VG9 & V14 => L2
 VG11 & VG12 => L0

$VGMA_REF = 2.5 * (12+2.4) / 2.4 = 15.0V$

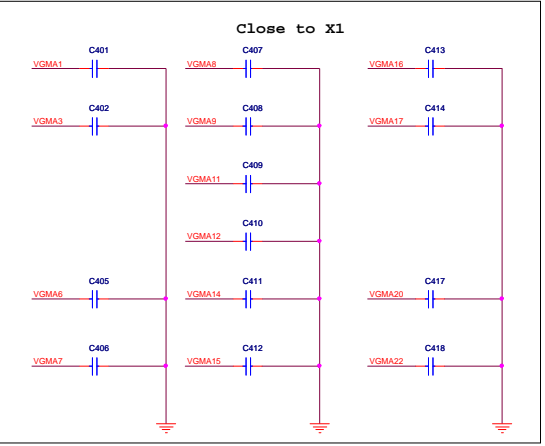


V3D3
V1D8
GND

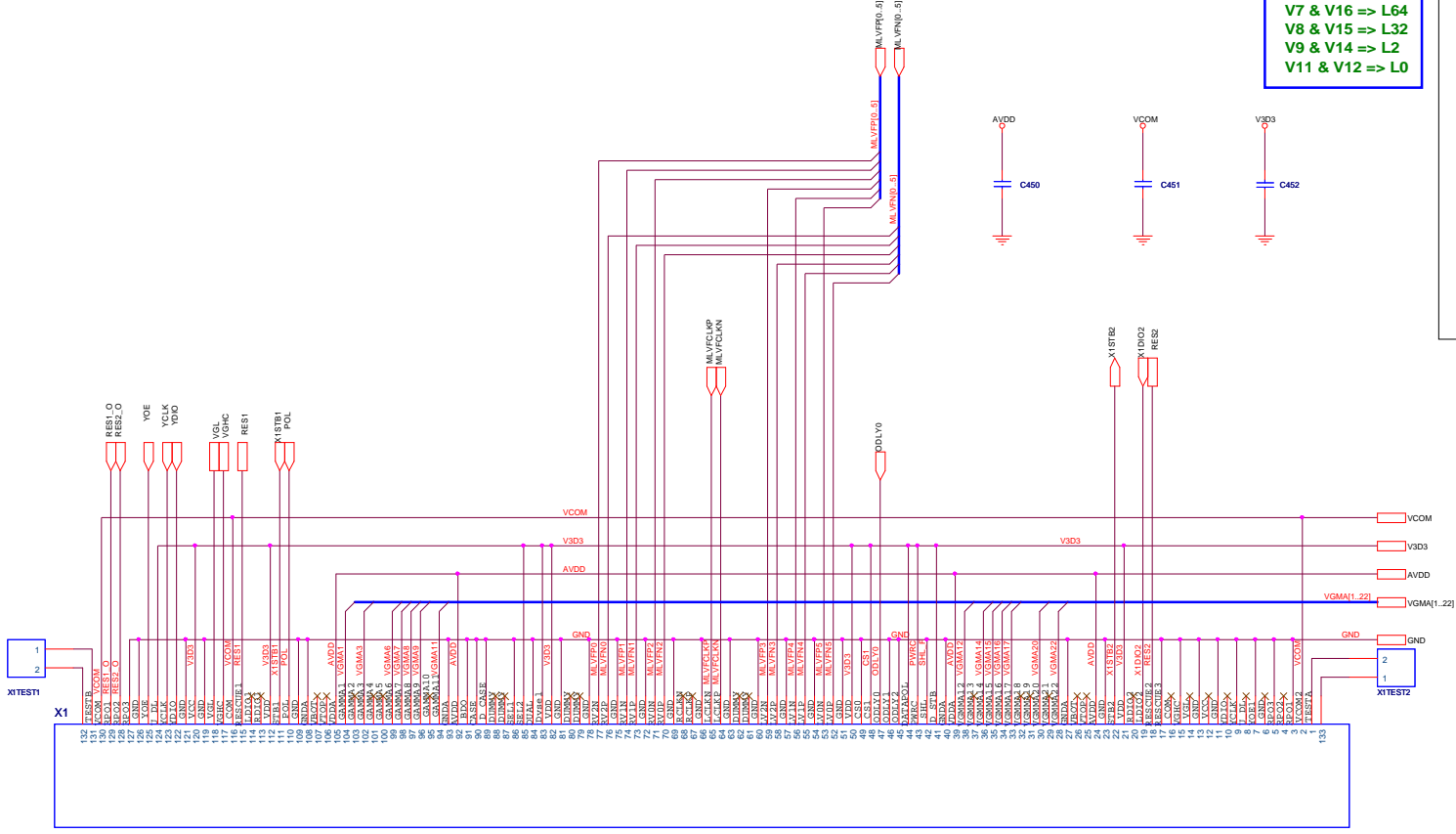
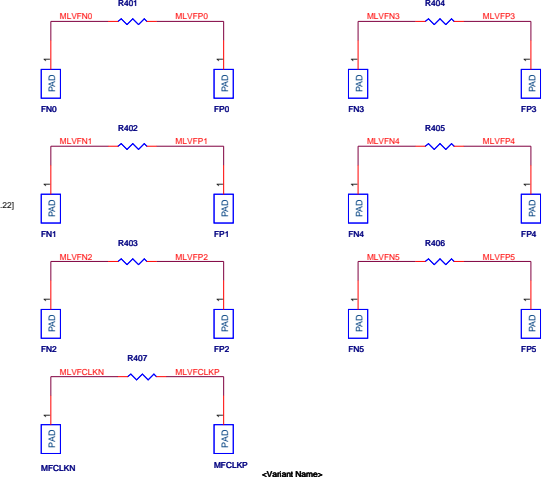


AUO			
Model Name:			
T260XW02 VSKO PCBA			
Size:	Document Number:	Rev	
Custom:	Tcon AUO-11401 Block	EC01	
Date:	Monday, August 18, 2009	Sheet:	4 of 11

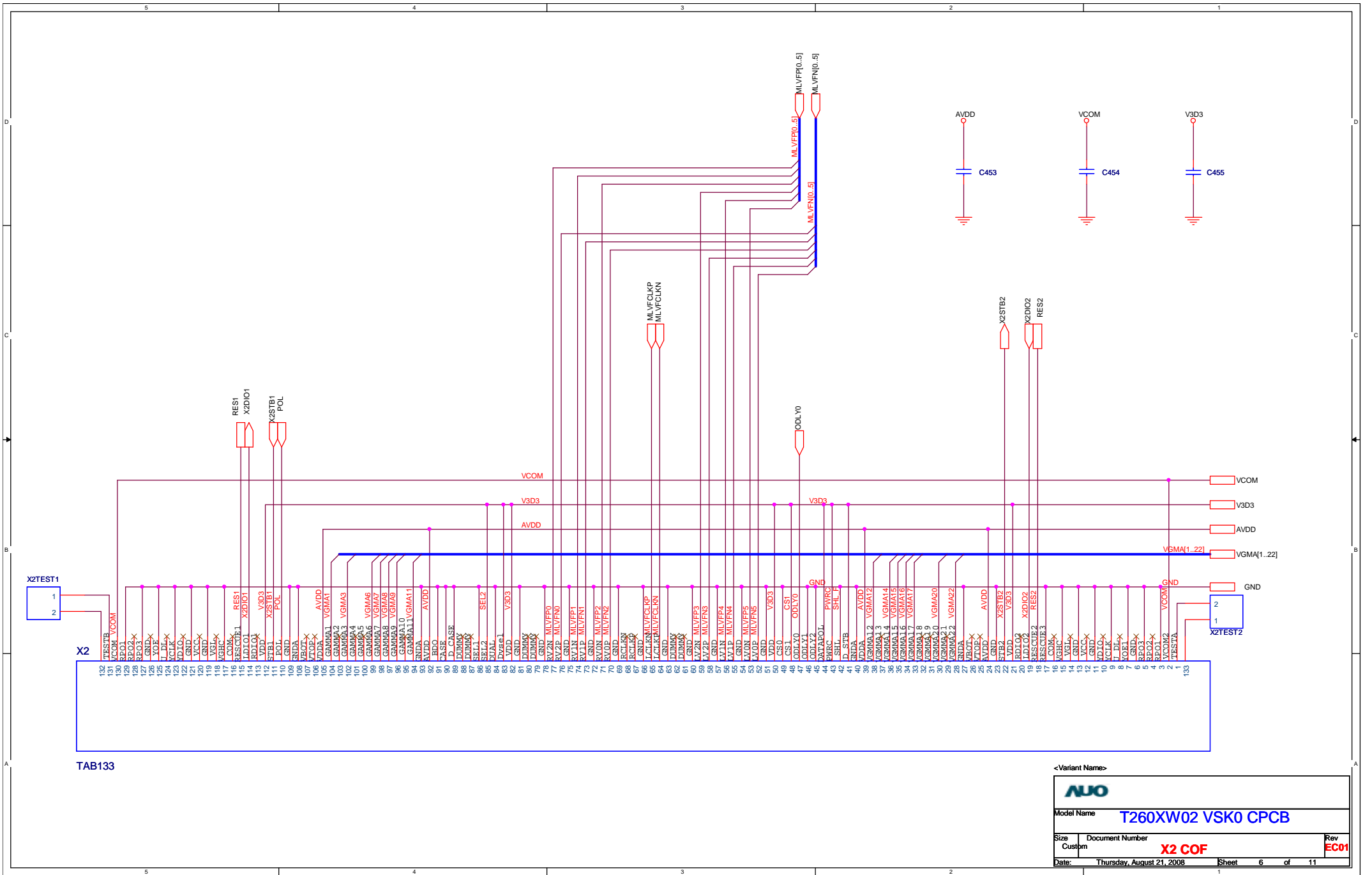
V1 & V22 => L255.
 V3 & V20 => L253
 V6 & V17 => L128
 V7 & V16 => L64
 V8 & V15 => L32
 V9 & V14 => L2
 V11 & V12 => L0



End Termination For X1



Model Name	
T260XW02 VSKO CPCB	
Size	Document Number
Custom	X1 COF
Date	Rev
Thursday, August 21, 2008	EC01
Sheet 5	of 11



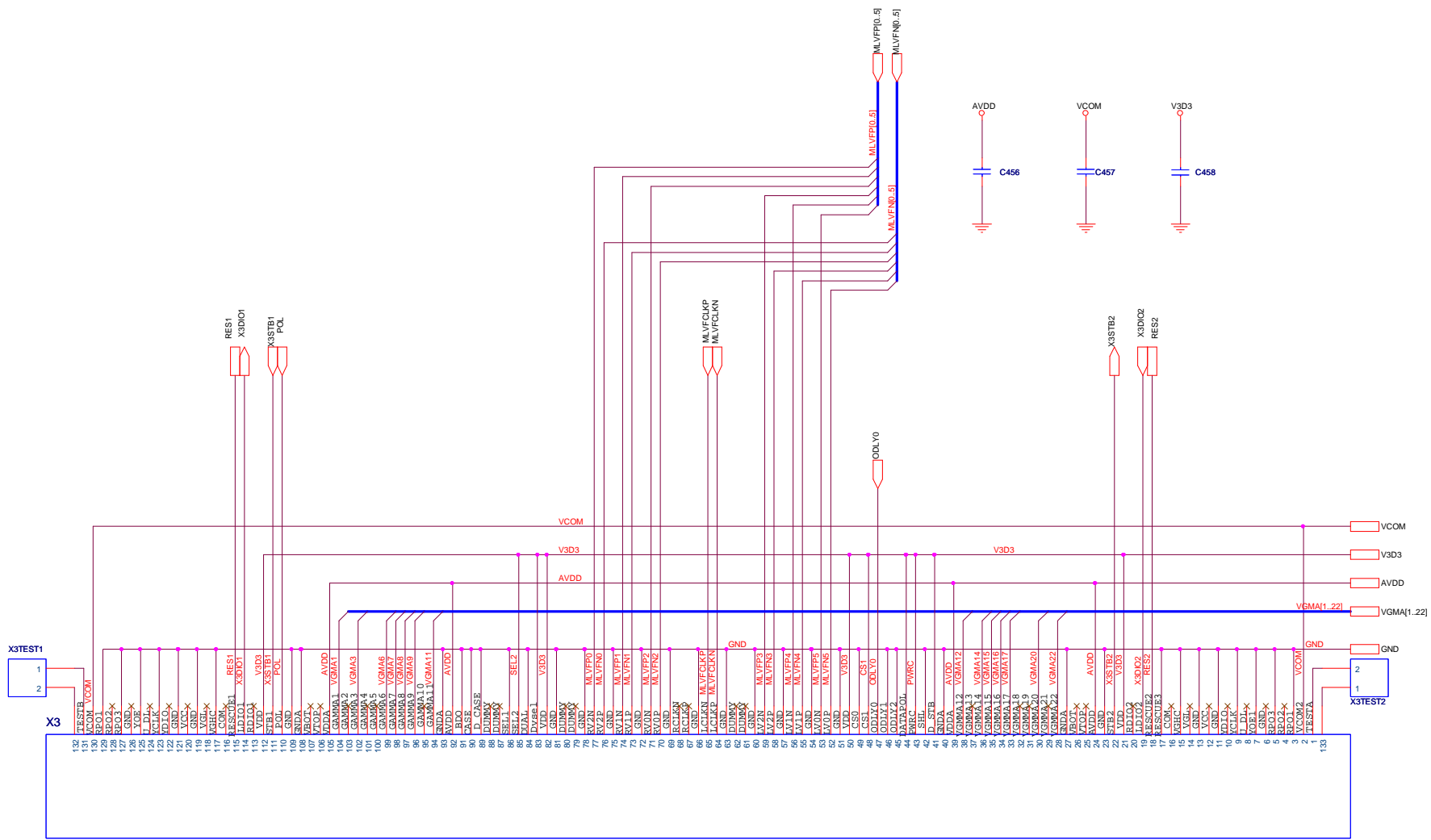
TAB133

<Variant Name>

AUO

Model Name **T260XW02 VSK0 CPCB**

Size	Document Number	Rev
Custom	X2 COF	EC01
Date:	Thursday, August 21, 2008	Sheet 6 of 11



TAB133

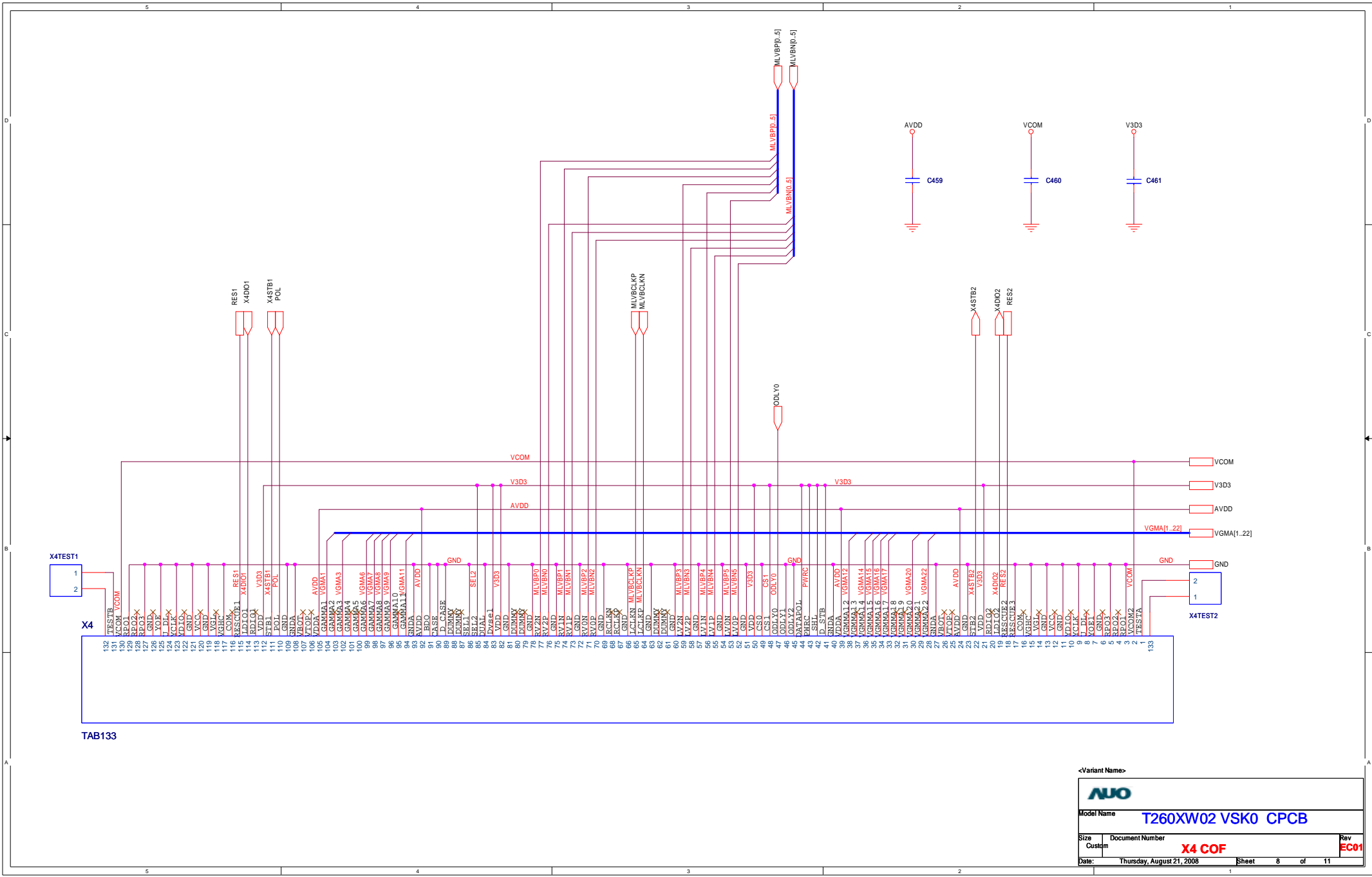
<Variant Name>

AUO

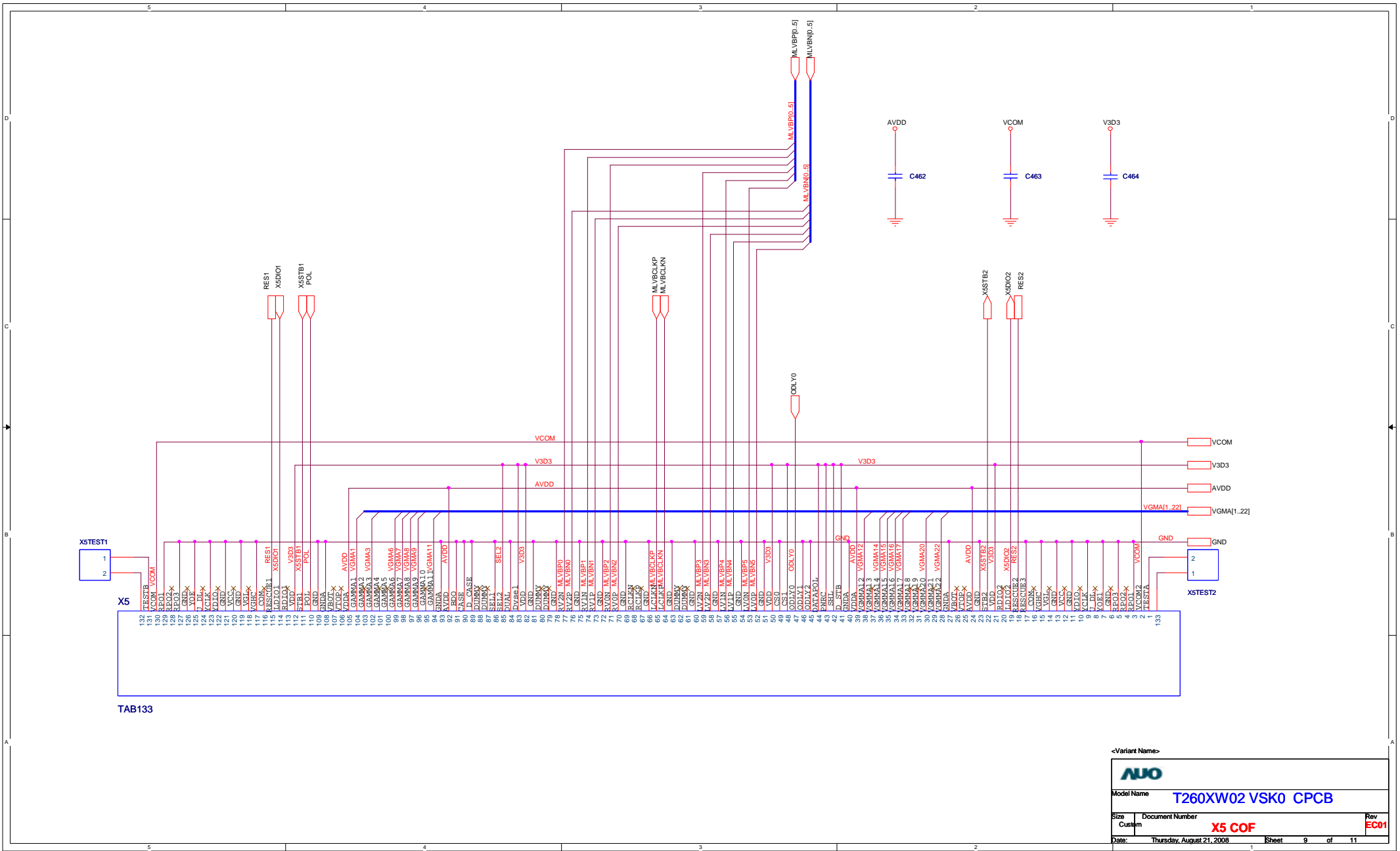
Model Name **T260XW02 VSK0 CPCB**

Size	Document Number	Rev
Custom	X3 COF	EC01

Date: **Thursday, August 21, 2008** Sheet **7** of **11**



<Variant Name>			
AJO			
Model Name		T260XW02 VSK0 CPCB	
Size	Document Number	Rev	
Custom	X4 COF	EC01	
Date:	Thursday, August 21, 2008	Sheet	8 of 11



TAB133

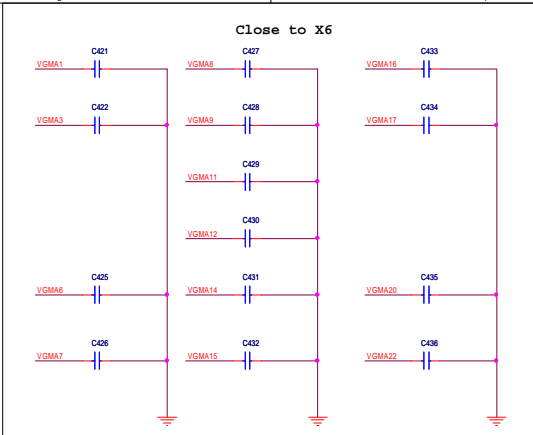
<Variant Name>

AUO

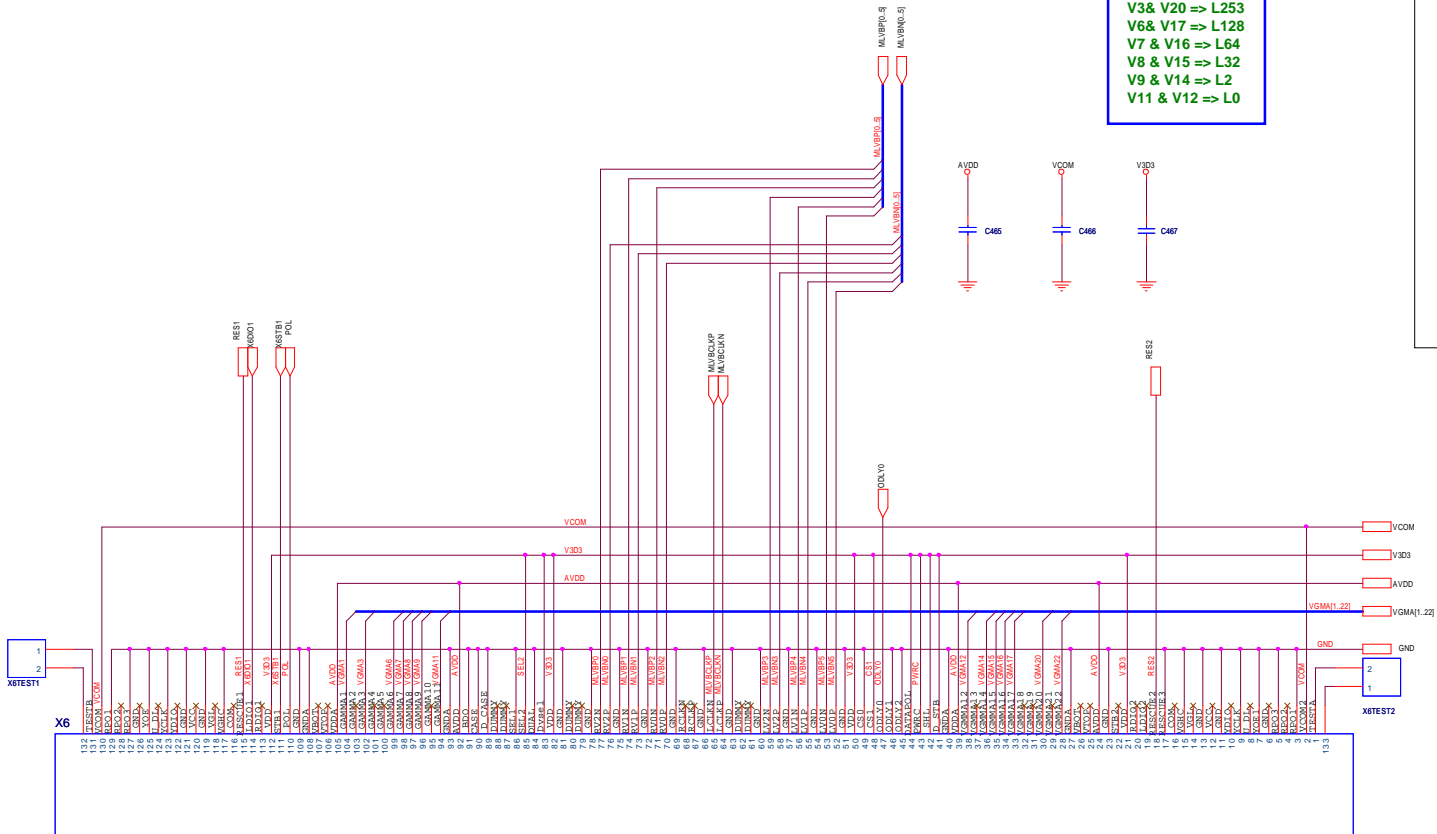
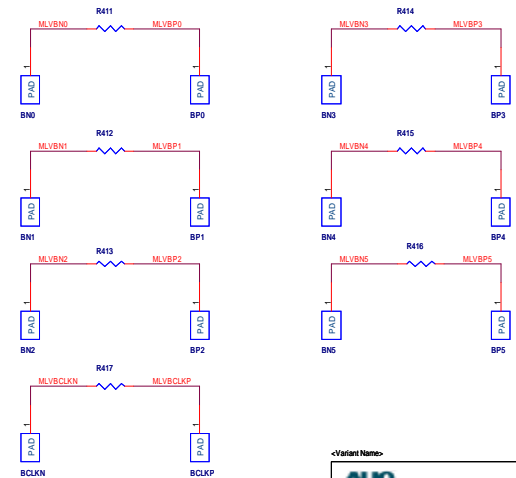
Model Name **T260XW02 VSK0 CPCB**

Size	Document Number	Rev
Custom	X5 COF	EC01
Date:	Thursday, August 21, 2008	Sheet 9 of 11

V1 & V22 => L255
 V3 & V20 => L253
 V6 & V17 => L128
 V7 & V16 => L64
 V8 & V15 => L32
 V9 & V14 => L2
 V11 & V12 => L0



End Termination For X6



<Variant Name>

AJO

Model Name: **T260XW02 VSKO CPCB**

Size: Custom Document Number: **X6 COF** Rev: **EC01**

Date: Thursday, August 21, 2008 Sheet: 10 of 11

