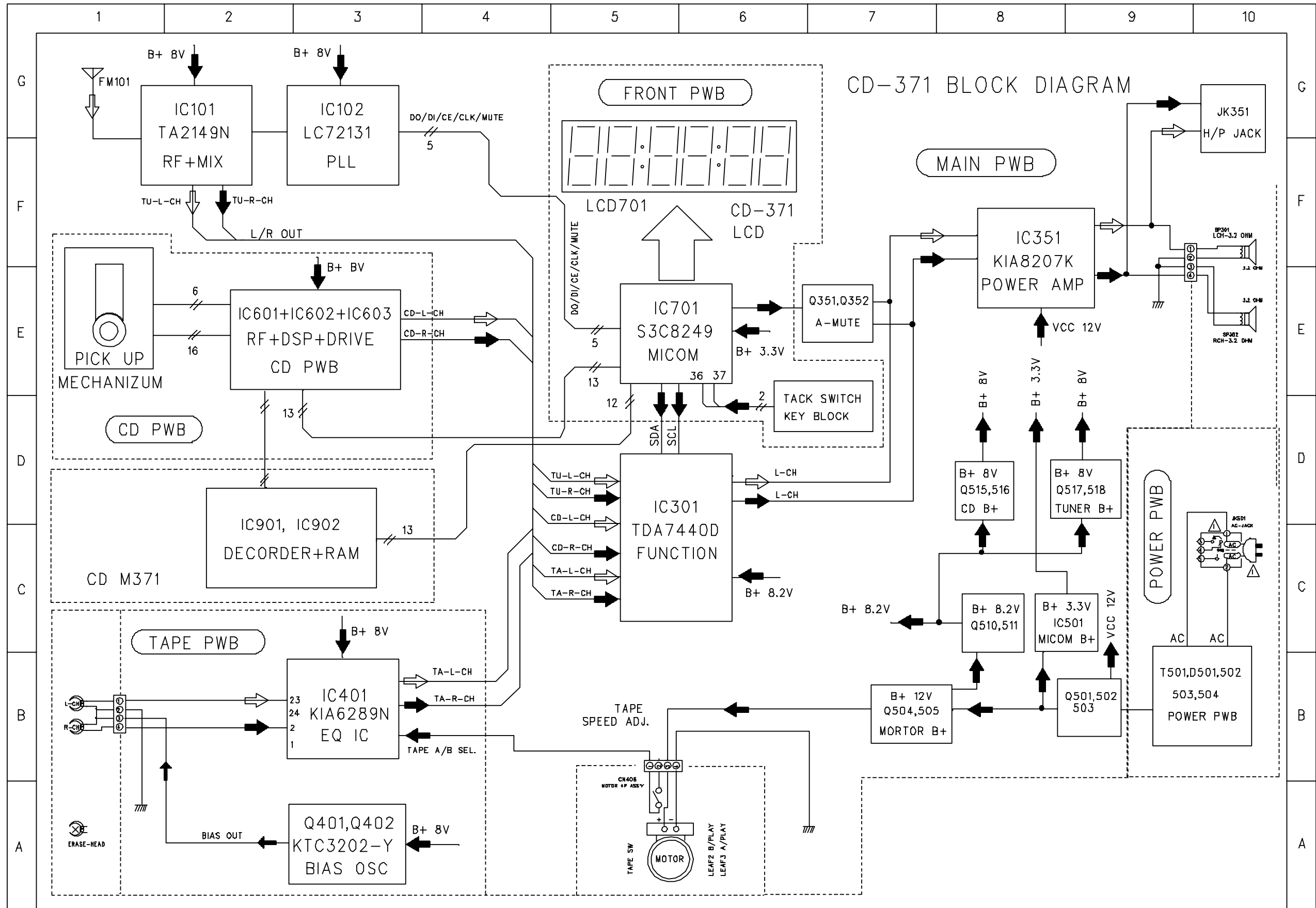
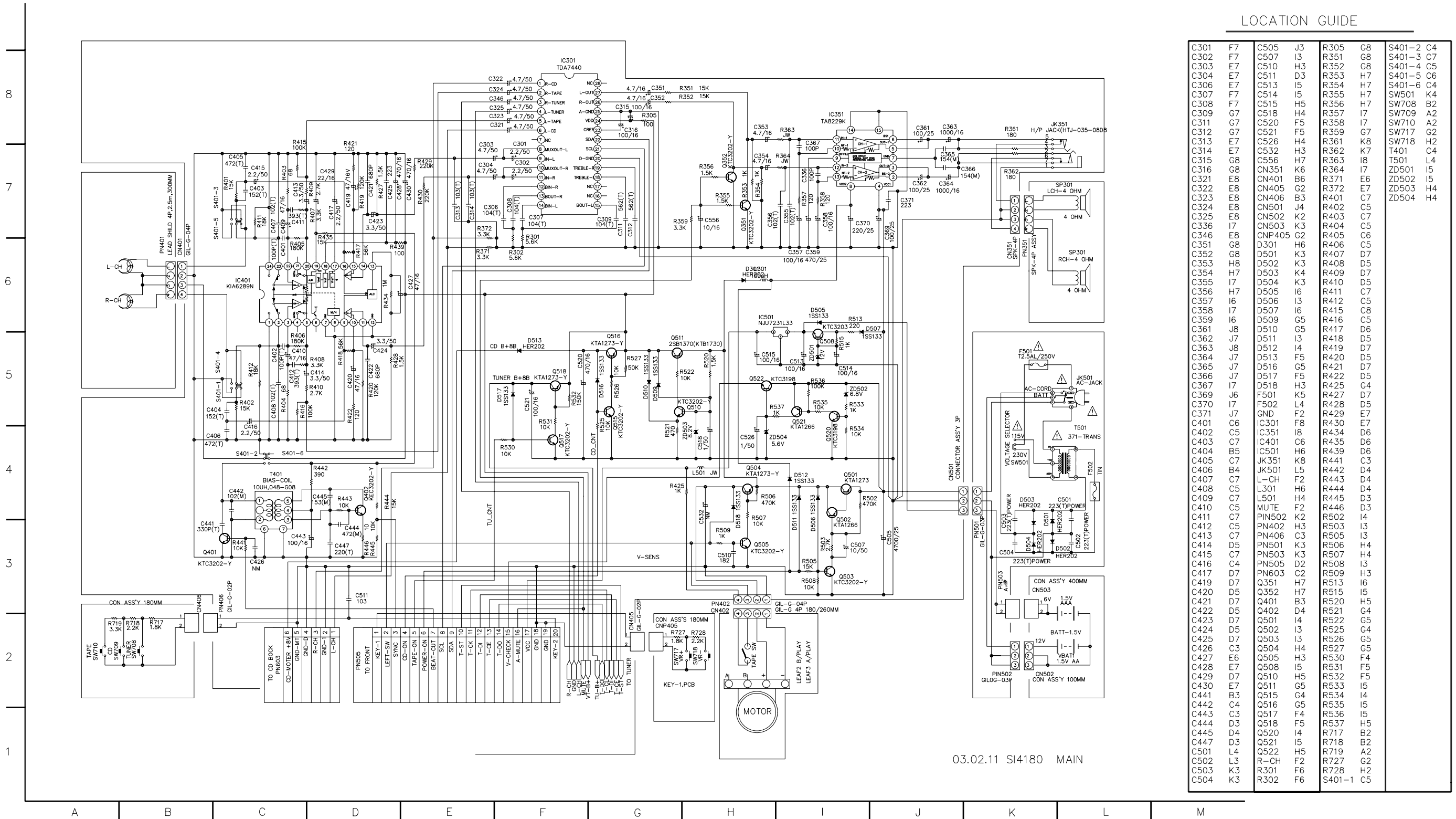


□ BLOCK DIAGRAM LG CD-M371AX <http://remont-aud.net>



SCHEMATIC DIAGRAMS

1. MAIN SCHEMATIC DIAGRAM

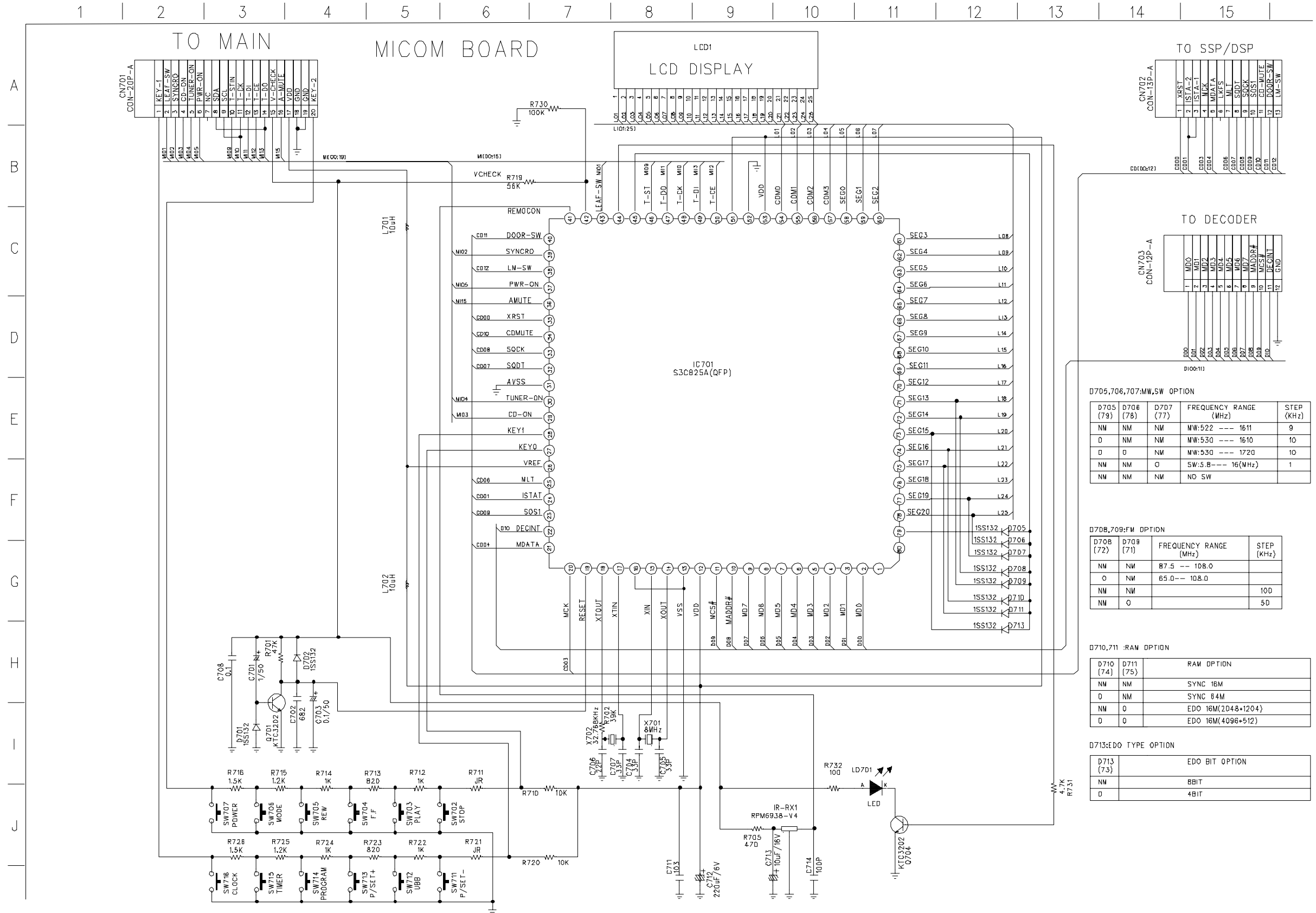


LOCATION GUIDE

C301	F7	C505	J3	R305	G8	S401-2	C4
C302	F7	C507	I3	R351	G8	S401-3	C7
C303	E7	C510	H3	R352	G8	S401-4	C5
C304	E7	C511	D3	R353	H7	S401-5	C6
C306	E7	C513	I5	R354	H7	S401-6	C4
C307	F7	C514	I5	R355	H7	SW501	K4
C308	F7	C515	H5	R356	H7	SW708	B2
C309	G7	C518	H4	R357	I7	SW709	A2
C311	G7	C520	F5	R358	I7	SW710	A2
C312	G7	C521	F5	R359	G7	SW717	G2
C313	E7	C526	H4	R361	K8	SW718	H2
C314	E7	C532	H3	R362	K7	T401	C4
C315	G8	C556	H7	R363	I8	T501	L4
C316	G8	CN351	K6	R364	I7	ZD501	I5
C321	E8	CN401	B6	R371	E6	ZD502	I5
C322	E8	CN405	G2	R372	E7	ZD503	H4
C323	E8	CN406	B3	R401	C7	ZD504	H4
C324	E8	CN501	J4	R402	C5		
C325	E8	CN502	K2	R403	C7		
C336	I7	CN503	K3	R404	C5		
C346	E8	CNP405	G2	R405	C6		
C351	G8	D301	H6	R406	C5		
C352	G8	D501	K3	R407	D7		
C353	H8	D502	K3	R408	D5		
C354	H7	D503	K4	R409	D7		
C355	I7	D504	K3	R410	D5		
C356	H7	D505	I6	R411	C7		
C357	I6	D506	I3	R412	C5		
C358	I7	D507	I6	R415	C8		
C359	I6	D509	G5	R416	C5		
C361	J8	D510	G5	R417	D6		
C362	J7	D511	I3	R418	D5		
C363	J8	D512	I4	R419	D7		
C364	J7	D513	F5	R420	D5		
C365	J7	D516	G5	R421	D7		
C366	J7	D517	F5	R422	D5		
C367	I7	D518	H3	R425	G4		
C369	J6	F501	K5	R427	D7		
C370	I7	F502	L4	R430	D5		
C371	J7	GND	F2	R439	E7		
C401	C6	IC301	F8	R440	E7		
C402	C5	IC351	I8	R434	D6		
C403	C7	IC401	C6	R435	D6		
C404	B5	IC501	H6	R439	D6		
C405	C7	JK351	K8	R441	C3		
C406	B4	JK501	L5	R442	D4		
C407	C7	L-CH	F2	R443	D4		
C408	C5	L301	H6	R444	D4		
C409	C7	L501	H4	R445	D3		
C410	C5	MUTE	F2	R446	D3		
C411	C7	PN502	K2	R502	I4		
C412	C5	PN402	H3	R503	I3		
C413	C7	PN406	C3	R505	I3		
C414	D5	PN501	K3	R506	H4		
C415	C7	PN503	K3	R507	H4		
C416	C4	PN505	D2	R508	I3		
C417	D7	PN603	C2	R509	H3		
C419	D7	Q351	H7	R513	I6		
C420	D5	Q352	H7	R515	I5		
C421	D7	Q401	B3	R520	H5		
C422	D5	Q402	D4	R521	G4		
C423	D7	Q501	I4	R522	G5		
C424	D5	Q502	I3	R525	G4		
C425	D7	Q503	I3	R526	G5		
C426	C3	Q504	H4	R527	G5		
C427	E6	Q505	H3	R530	F4		
C428	E7	Q508	I5	R531	F5		
C429	D7	Q510	H5	R532	F5		
C430	E7	Q511	G5	R533	I5		
C441	B3	Q515	G4	R534	I4		
C442	C4	Q516	G5	R535	I5		
C443	C3	Q517	F4	R536	I5		
C444	D3	Q518	F5	R537	H5		
C445	D4	Q520	I4	R717	B2		
C447	D3	Q521	I5	R718	B2		
C501	L4	Q522	H5	R719	A2		
C502	L3	R-CH	F2	R727	G2		
C503	K3	R301	F6	R728	H2		
C504	K3	R302	F6	S401-1	C5		

03.02.11 SI4180 MAIN

2. μ-COM SCHEMATIC DIAGRAM (FOR MP3)



D705,706,707:MW,SW OPTION

D705 (79)	D706 (78)	D707 (77)	FREQUENCY RANGE (MHz)	STEP (KHz)
NM	NM	NM	MW:522 --- 1611	9
0	NM	NM	MW:530 --- 1610	10
0	0	NM	MW:530 --- 1720	10
NM	NM	0	SW:5.8 --- 16(MHz)	1
NM	NM	NM	NO SW	

D708,709:FM OPTION

D708 (72)	D709 (71)	FREQUENCY RANGE (MHz)	STEP (KHz)
NM	NM	87.5 --- 108.0	
0	NM	85.0 --- 108.0	
NM	NM		100
NM	0		50

D710,711 :RAM OPTION

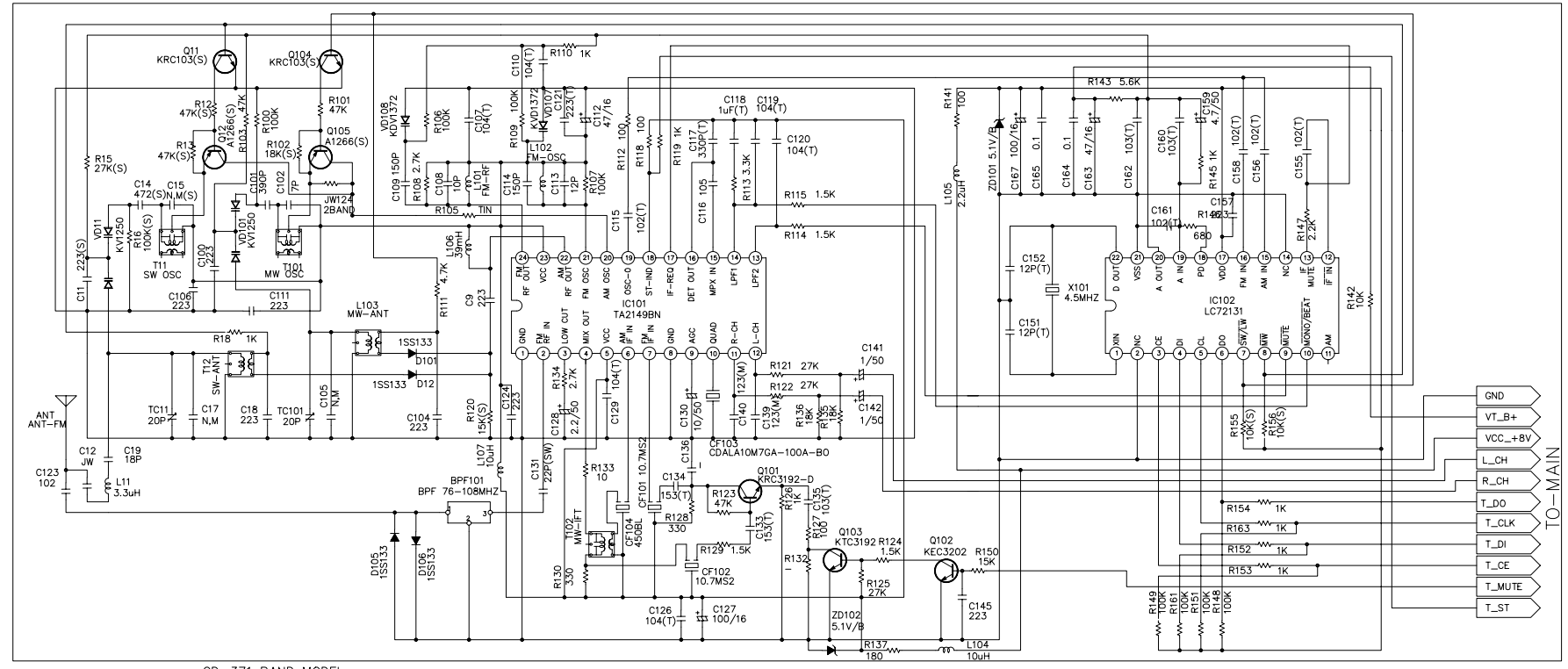
D710 (74)	D711 (75)	RAM OPTION
NM	NM	SYNC 16M
0	NM	SYNC 84M
NM	0	EDO 16M(2048+1204)
0	0	EDO 16M(4096+512)

D713:EDO TYPE OPTION

D713 (73)	EDO BIT OPTION
NM	8BIT
0	4BIT

3. TUNER SCHEMATIC DIAGRAM

TUNER BOARD



CD-371 BAND MODEL

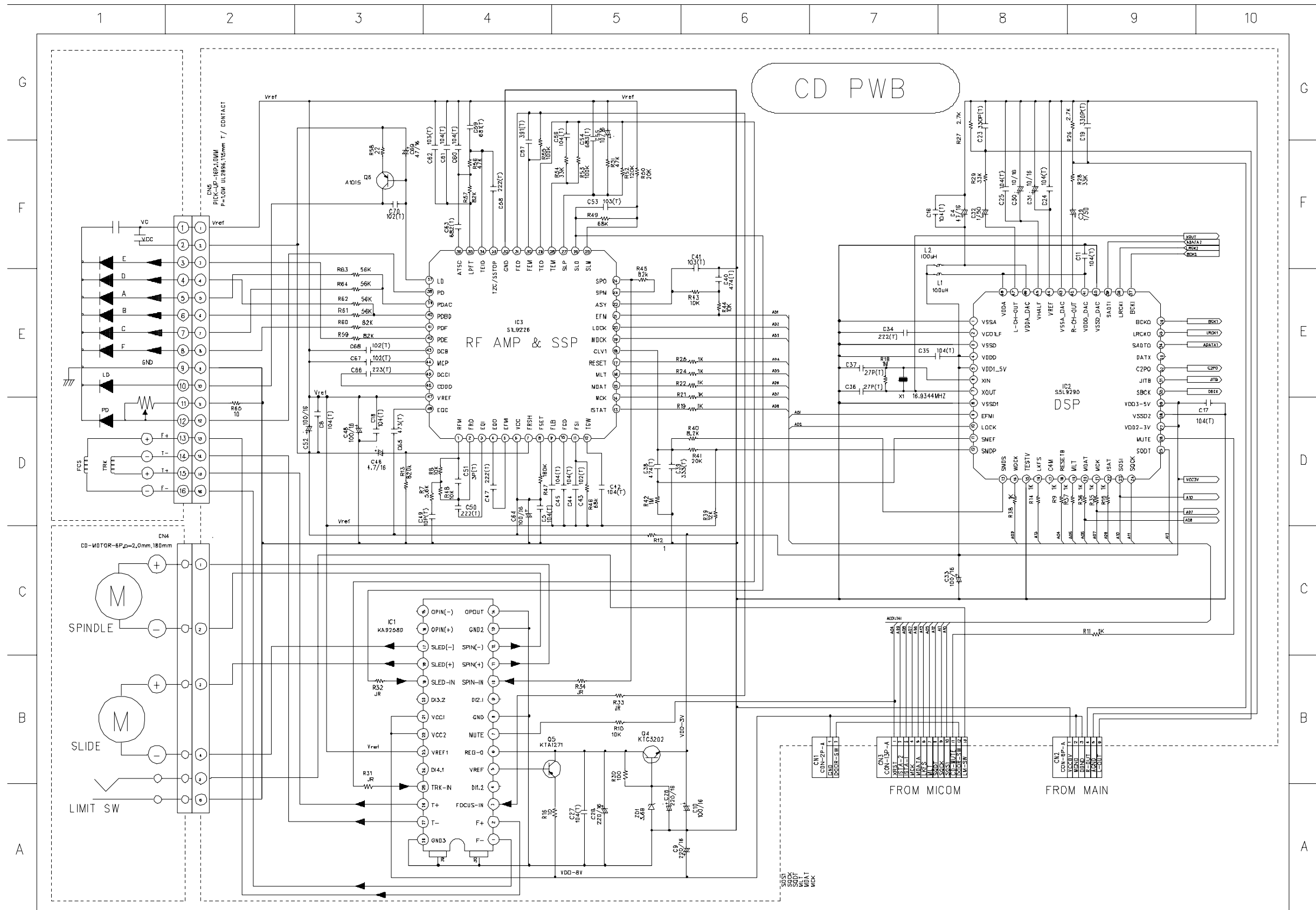
NO	SYMBOL	681A	371AX	371S	NO	SYMBOL	371A	371AX	371S
1	VD107,108	KDV1372	KDV1372	KDV1372	21	C15	X	X	10P
2	VD11	X	X	KV1250	22	C17	X	X	X
3	D12	X	X	1S5133	23	C18	X	X	0.022
4	D101	TIN WIRE	X	1S5133	24	C131	X	X	18P
5	Q11,104	X	X	KRC103	25	OW101	TIN WIRE	X	X
6	Q12,105	X	X	KRA1266	26	R101	X	X	47K
7	L102	6.35N020A	6.35N020A	6.35N020A	27	R102	X	X	18K
8	L101	6.35N020P	6.35N020P	6.35N020P	28	R12	X	X	4.7K
9	T11	X	X	6.34N050J	29	R13	X	X	47K
10	T12	X	X	6.31N609K	30	R15	X	X	27K
11	L11	X	X	3.3uH	31	R16	X	X	10K
12	TC11	X	X	20P	32	R18	X	X	1K
13	TC101	390P	KSC5601	100P	33	R155,156	X	X	10K
14	C102	18P	18P	18P	34	C131	TIN WIRE	KSC5601	1987-1
15	C108	7P	7P	7P	35	C64	X	X	TIN WIRE
16	C109	150P	150P	150P	36				
17	C113	12P	12P	12P	37				
18	C114	150P	150P	150P	38				
19	C11	X	X	0.022	39				
20	C14	0.022	0.022	0.0047	40				

VT CALIBRATION Unit: Volt

BAND	Low	HIGH(FIXED)	Tolerance
AM	2.0	8.0	0.2
FM(MAX)	1.2	8.0	0.2
MW	1.0	8.0	0.2
SW	1.1	8.0	0.2

03.02.11 SI4408 TUNER

4. CD SCHEMATIC DIAGRAM (FOR MP3)



5. DECODER SCHEMATIC DIAGRAM (FOR MP3)

