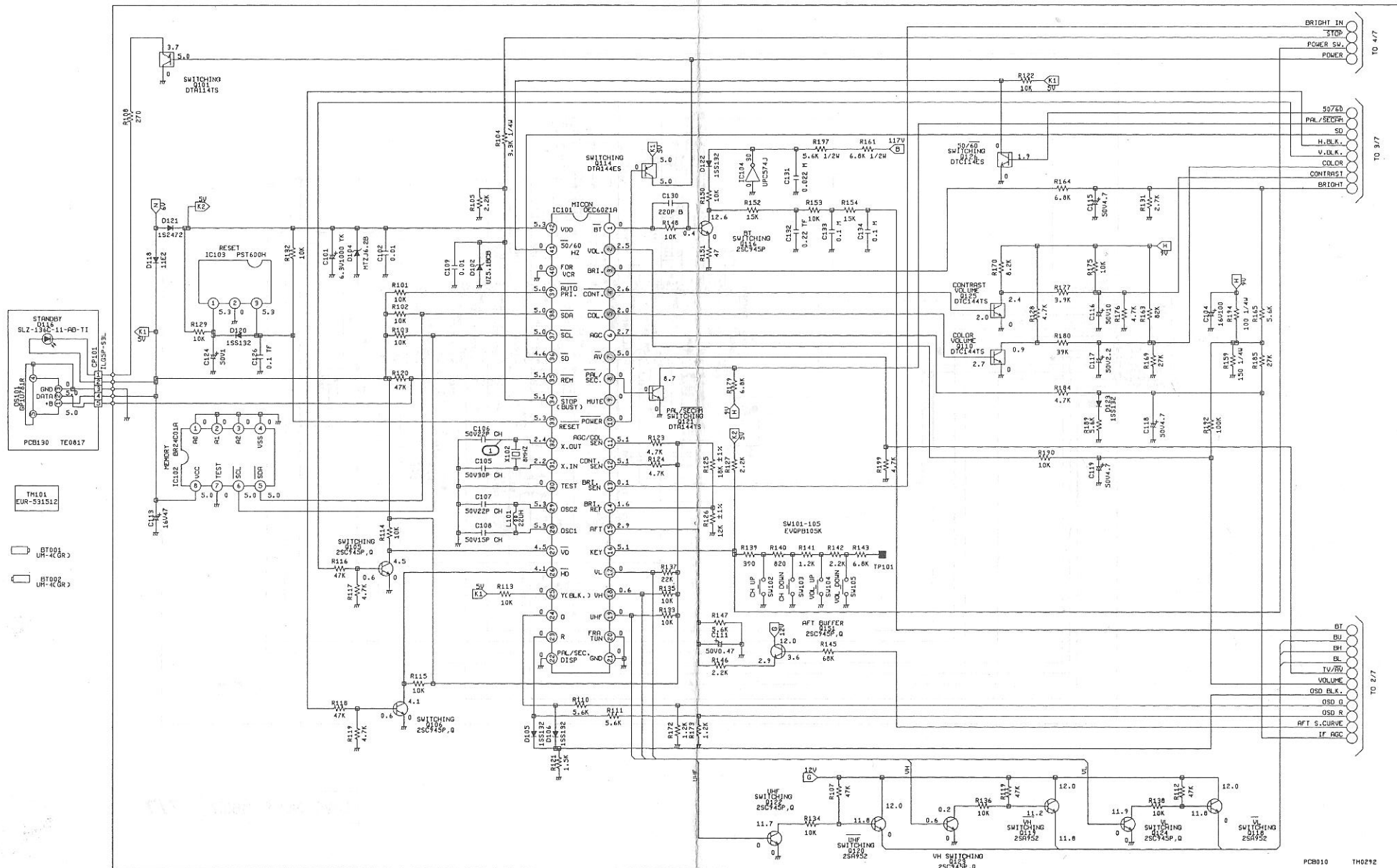
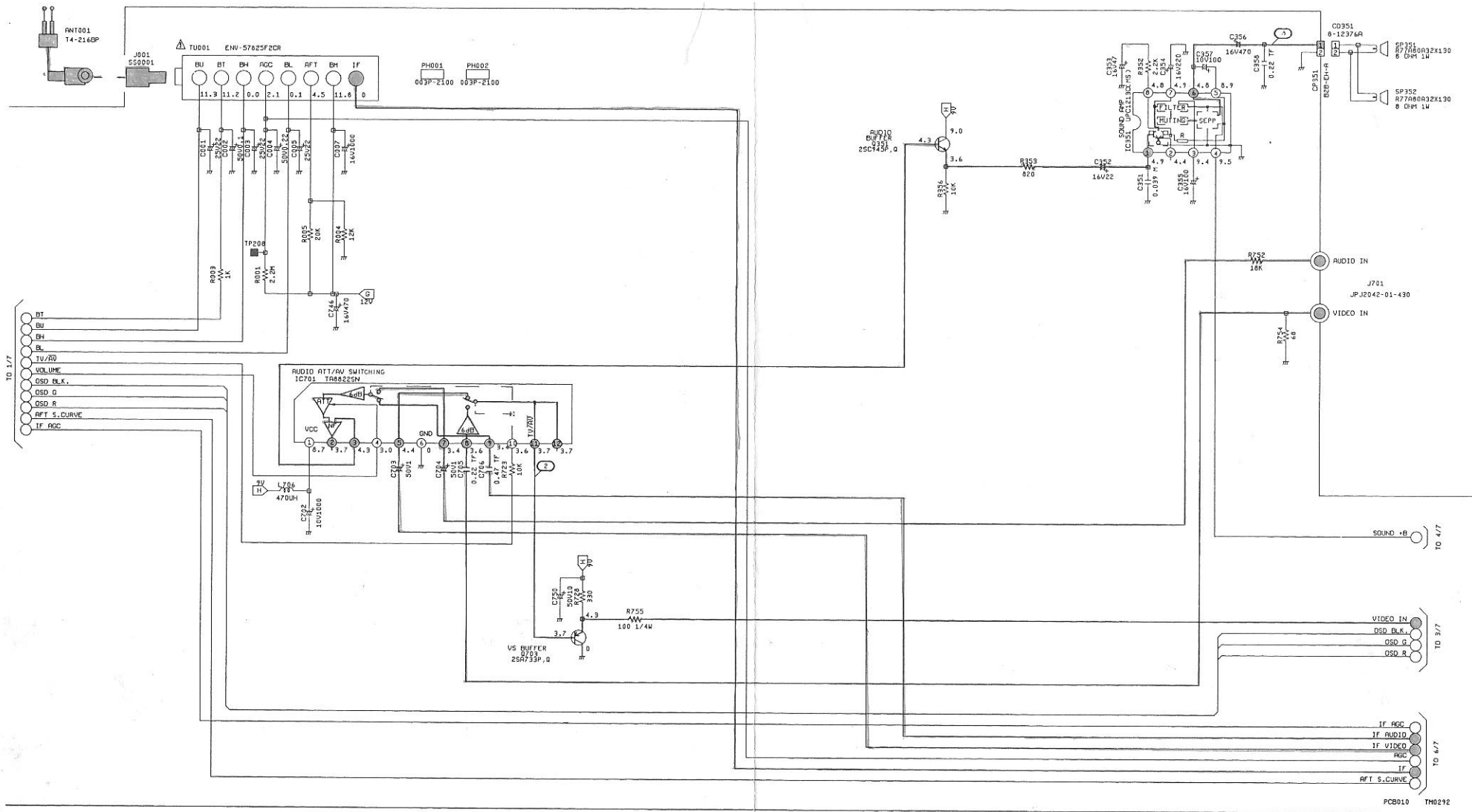


# CHASSIS SCHEM



CAUTION: DIGITAL TRANSISTOR

DWG. NO. F-716511



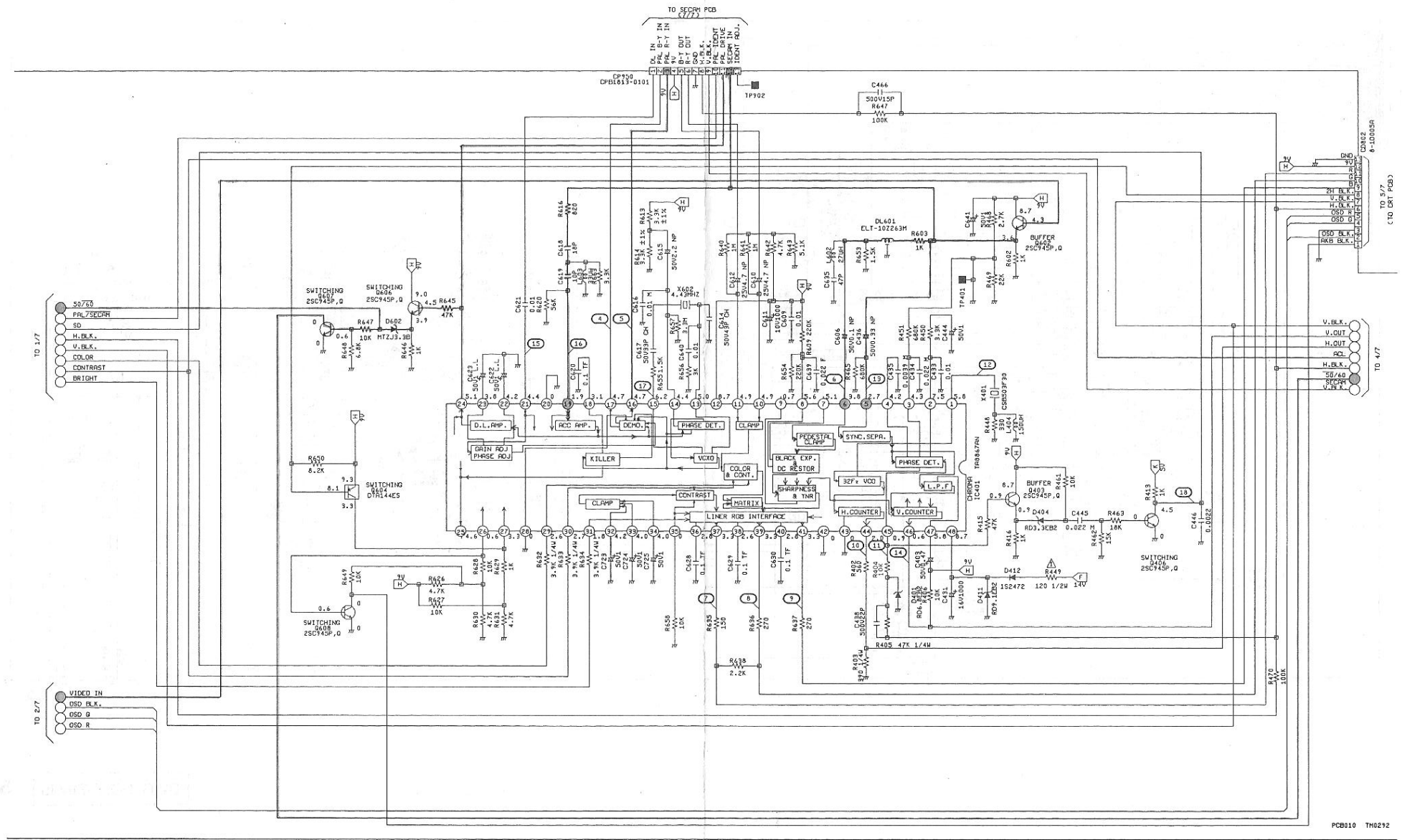
PCB010 TH0292

DWG. NO. F-716512 2/7

3D31103B U

NOTE: THIS SCHEMATIC DIAGRAM IS THE LATEST AT THE TIME OF PRINTING AND SUBJECT TO CHANGE WITHOUT NOTICE.

# IATIC DIAGRAM



CAUTION: DIGITAL TRANSISTOR CAUTION: DIGITAL TRANSISTOR

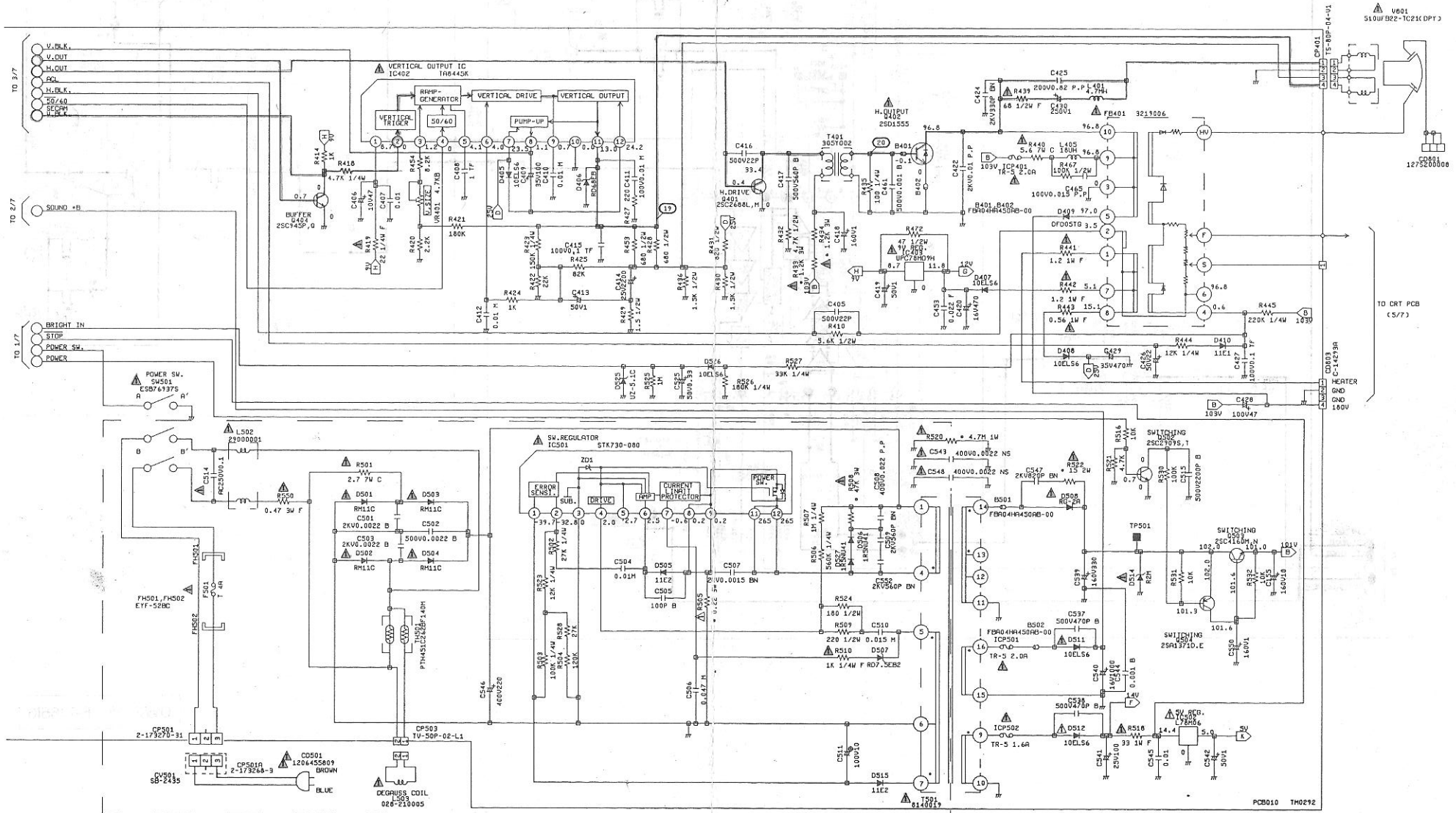


DWG. NO. F-716513

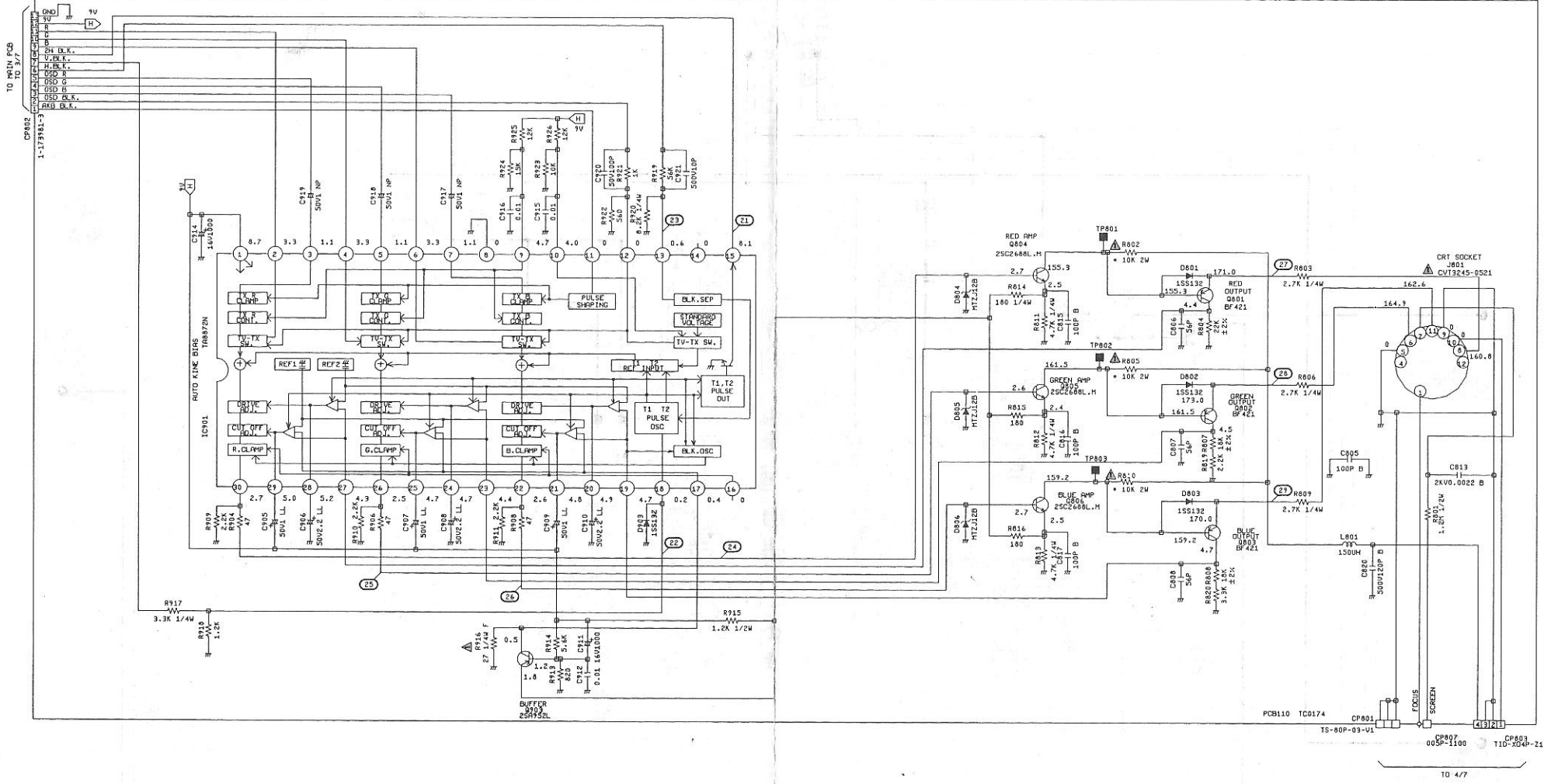
3/7

V801	510UFB22-TC21 (DPY)	A48KMX02XX
R441	1.0 1W ⊕	0.68 1W ⊕

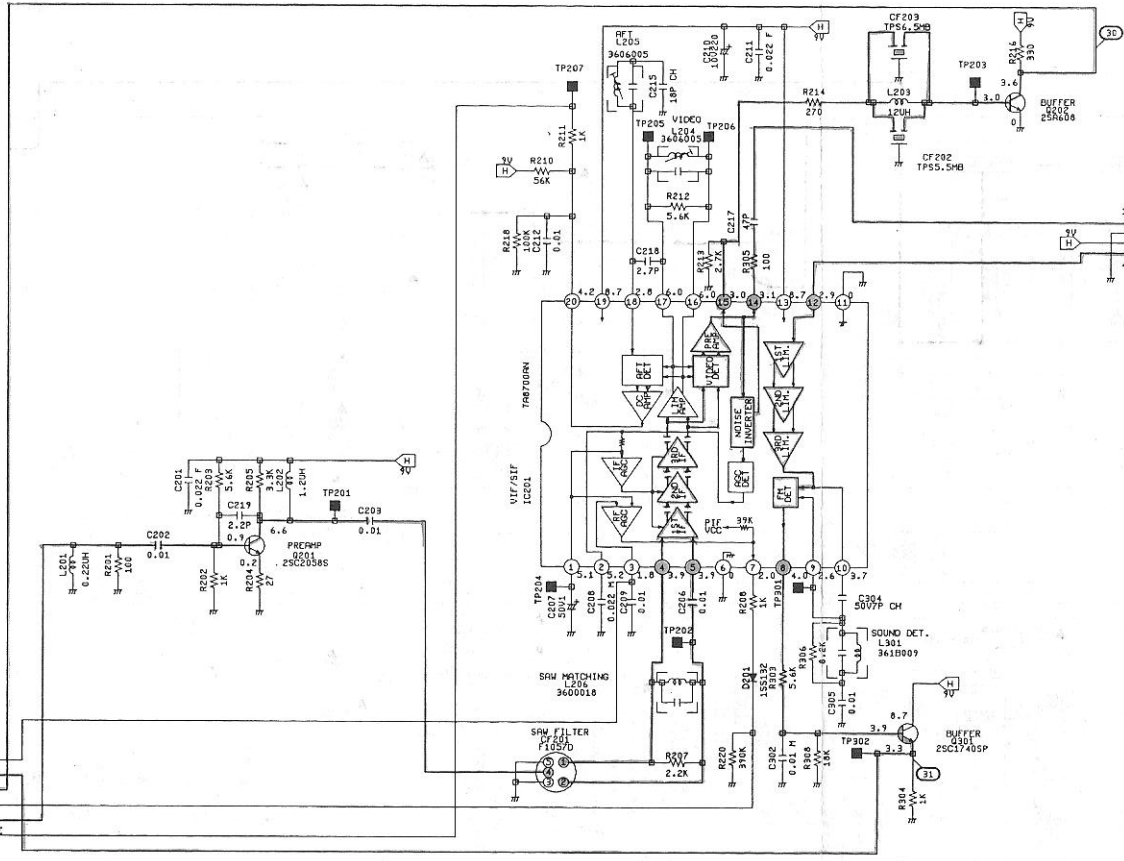
R804	22K ± 1%	12K ± 1%
R807	18K ± 1%	11K ± 1%
R808	18K ± 1%	15K ± 1%
R819	2.2K	6.8K
R820	JP	1K
C422	2KV 0.01 PP	2KV 0.0082 PP
C423	-	2KV 270P BN



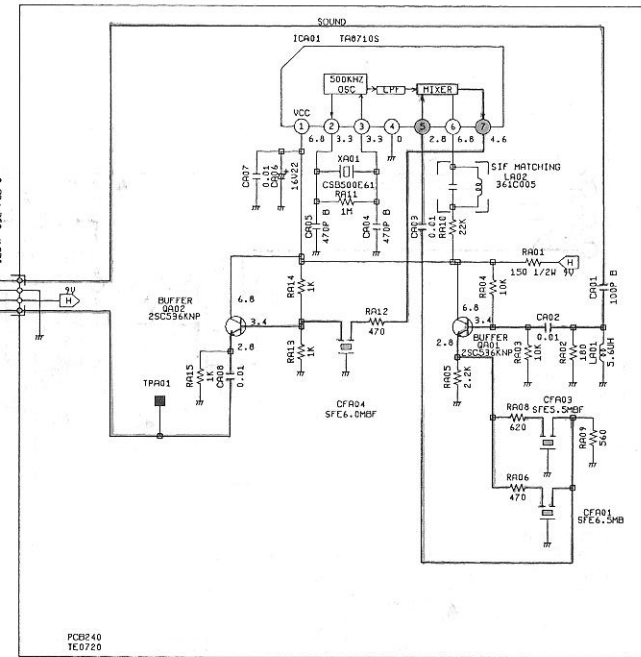
CAUTION: SINCE THESE PARTS MARKED BY ▲ ARE CRITICAL FOR SAFETY, USE ONES DESCRIBED ON PARTS LIST ONLY.



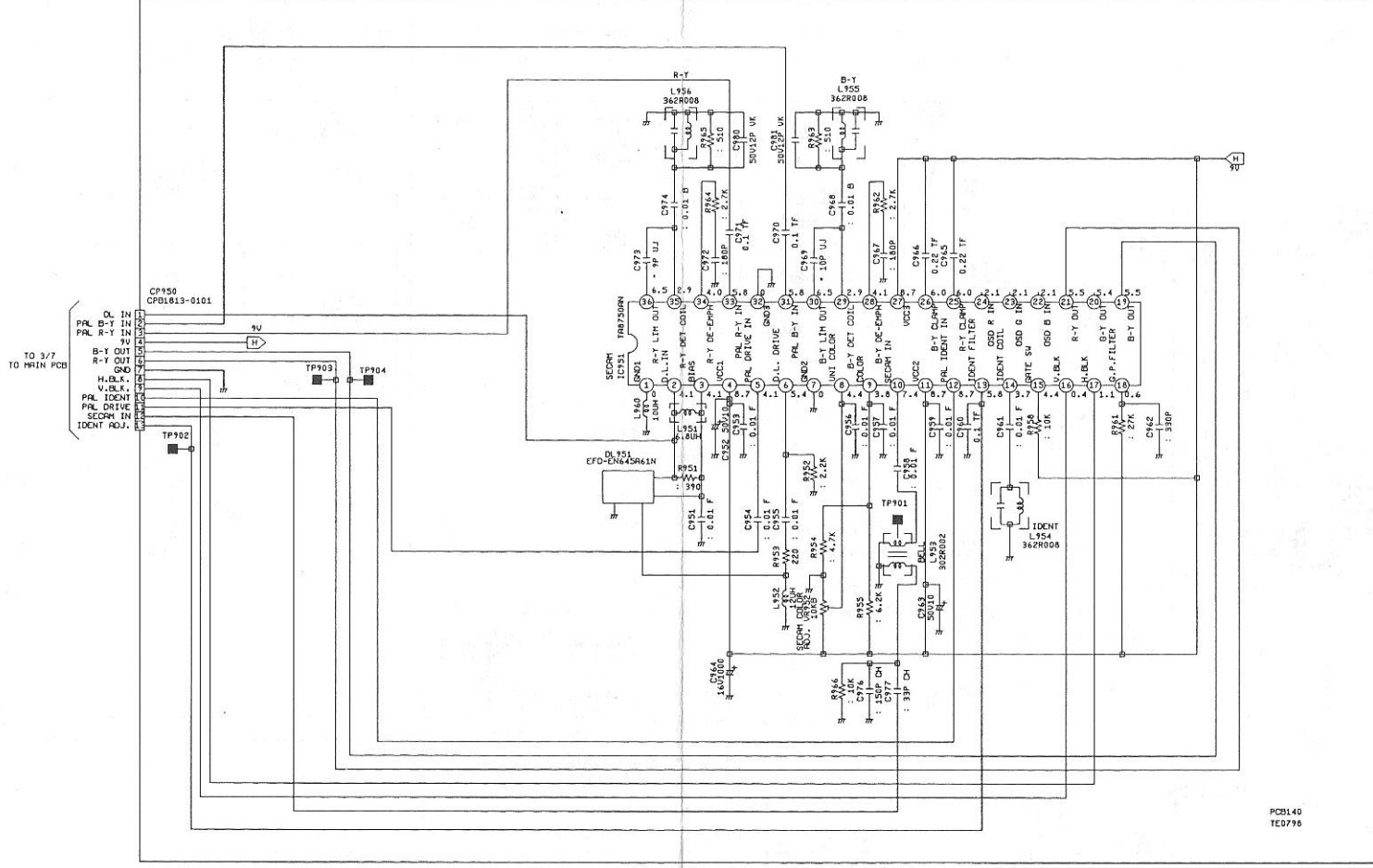
TD 217



PCB010 TH0272



PCB240 TE0720



PCB140  
TE0798

DWG. NO. F-716517 7/7