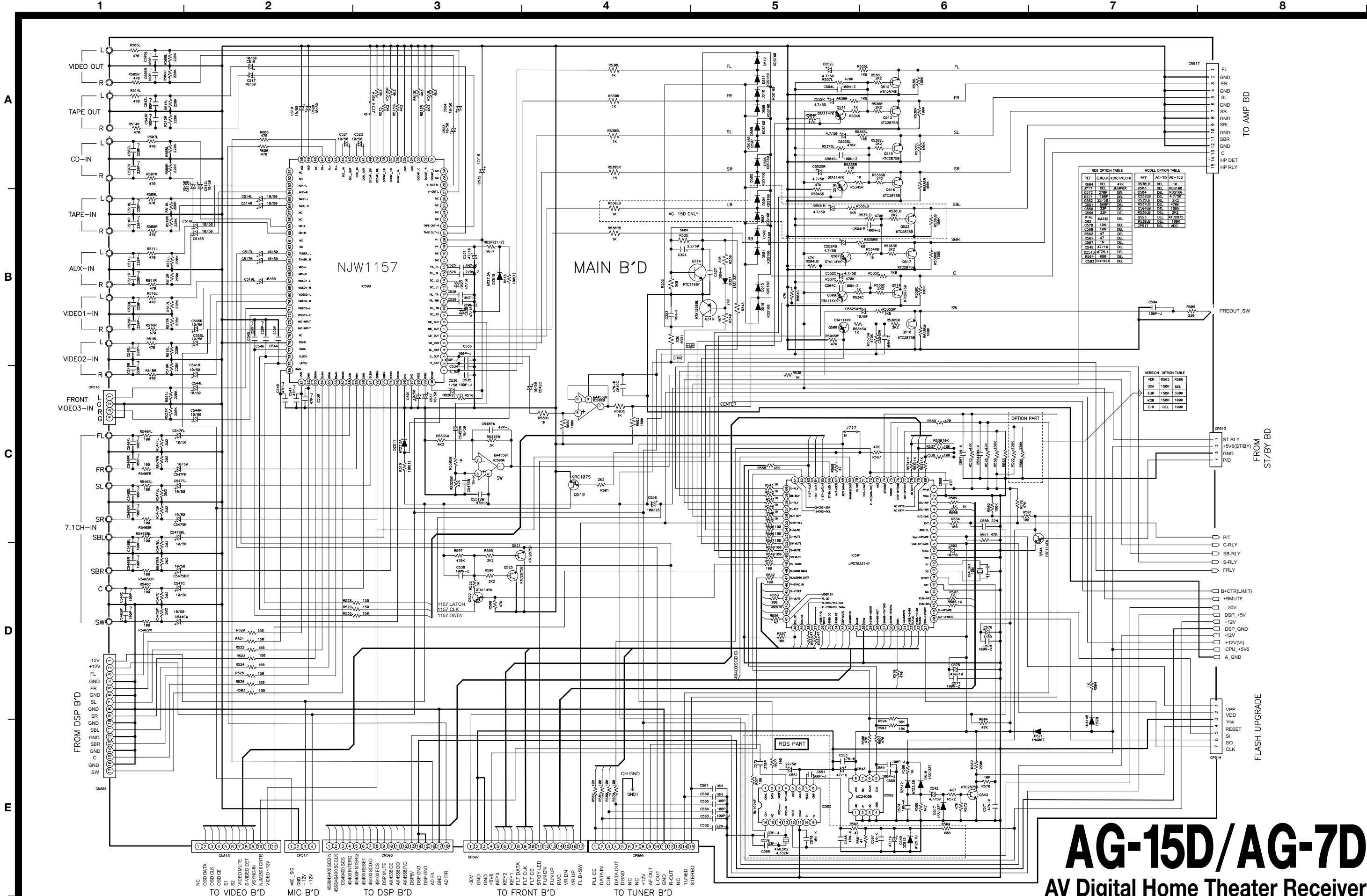


# TEAC SCHEMATIC DIAGRAM AG-15D/AG-7D MAIN PCB (1/2)



RDS OPTION TABLE

REF	EUR/UK	KOR/T/CH	MODEL	OPTION TABLE
R684	DEL	47K	R536B	DEL 1K
T17	DEL	100K	R536B	DEL RDS168
C572	270K	DEL	R536B	DEL 4.7K
C552	270K	DEL	R536B	DEL 4.7K
C554	33K	DEL	R536B	DEL 100K
C558	33K	DEL	R536B	DEL 2K
K74	AK432	DEL	R536B	DEL KTC2875
S62	18K	DEL	R536B	DEL 18K
C568	18K	DEL	R536B	DEL 18K
R562	47	DEL	R536B	DEL 47K
R561	47	DEL	R536B	DEL 47K
C549	47/18	DEL	R536B	DEL 47/18
C544	68K	DEL	R536B	DEL 68K
K583	BU1924	DEL	R536B	DEL KTC2875

VERSION OPTION TABLE

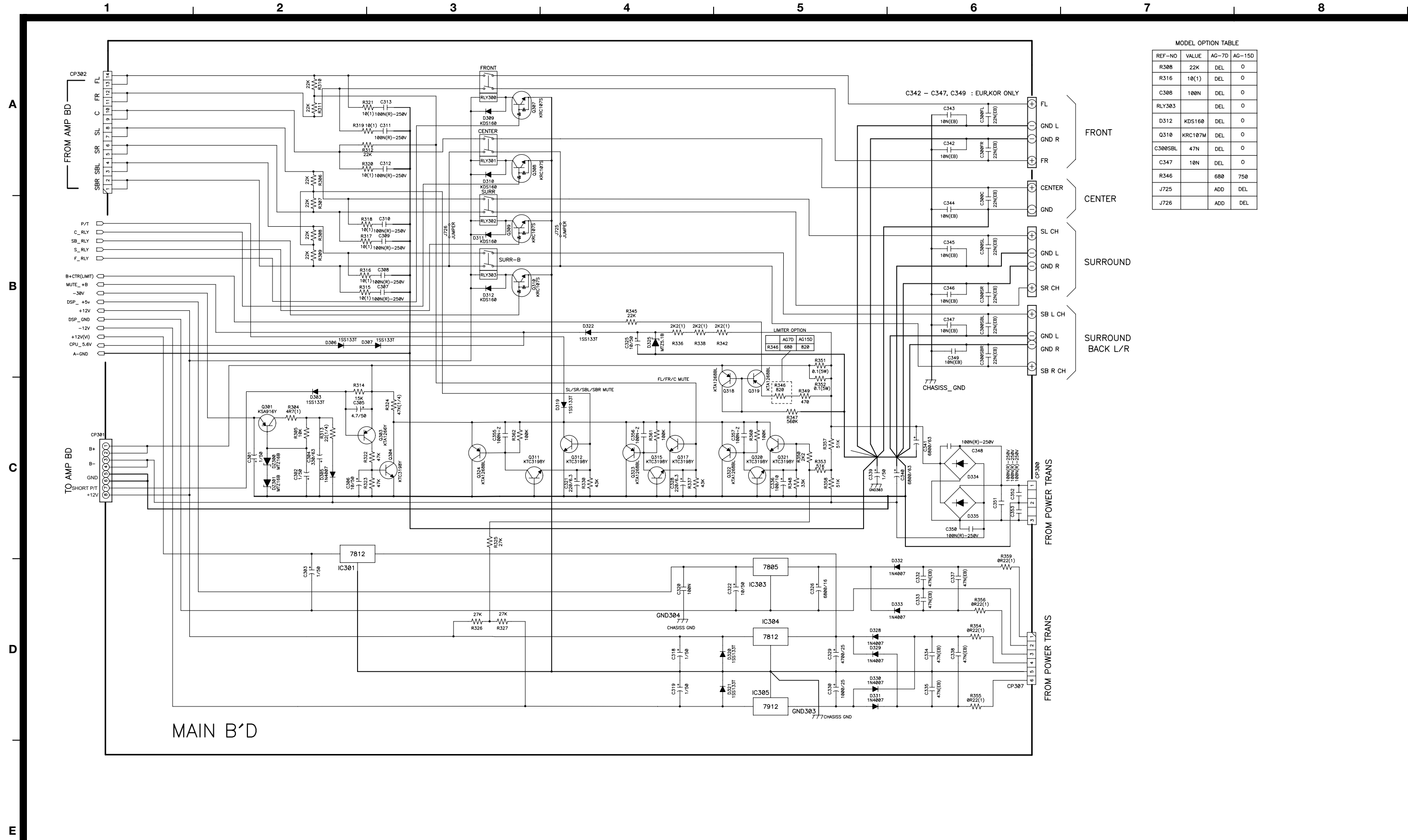
VER	R565	R566
USA	150K	DEL
EUR	150K	33K
KOR	150K	100K
CH	DEL	100K

# AG-15D/AG-7D

## AV Digital Home Theater Receiver

1st Issue; November 2004

# TEAC SCHEMATIC DIAGRAM AG-15D/AG-7D MAIN PCB (2/2)



MODEL OPTION TABLE

REF-NO	VALUE	AG-7D	AG-15D
R308	22K	DEL	0
R316	10(1)	DEL	0
C308	100N	DEL	0
RLY303		DEL	0
D312	KDS160	DEL	0
Q310	KRC107M	DEL	0
C300SBL	47N	DEL	0
C347	10N	DEL	0
R346	680	750	
J725		ADD	DEL
J726		ADD	DEL

# AG-15D/AG-7D

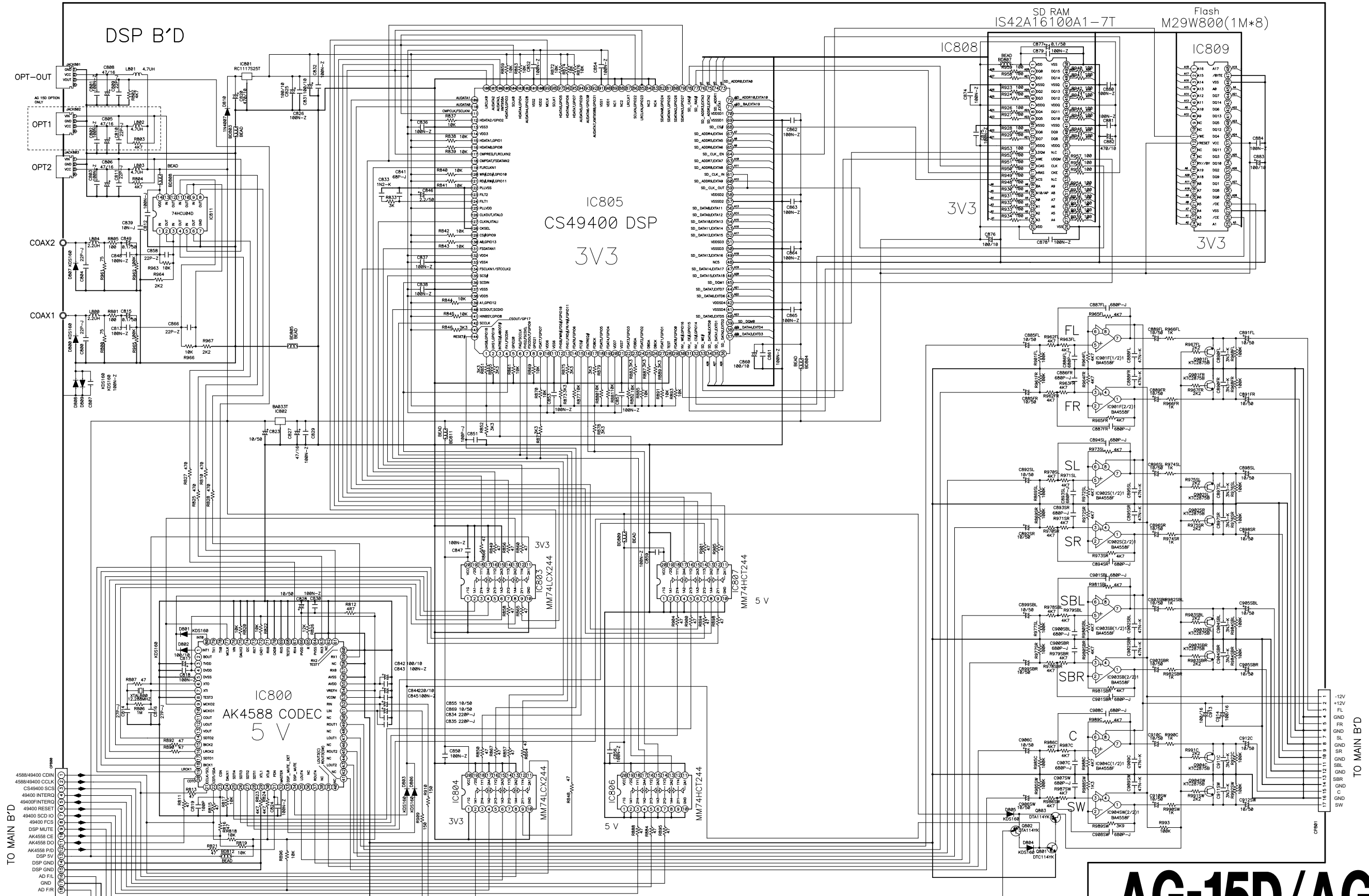
## AV Digital Home Theater Receiver

1st Issue; November 2004

# TEAC SCHEMATIC DIAGRAM AG-15D/AG-7D DSP PCB

1 2 3 4 5 6 7 8

A  
B  
C  
D  
E



TO MAIN B'D  
4588/49400 CDM  
4588/49400 CCLK  
4588/49400 SCS  
49400 INTERQ  
49400 INTERQ  
49400 RESET  
49400 SCID IO  
49400 FCS  
DSP MUTE  
AK4588 CE  
AK4588 DO  
AK4588 PD  
DSP 5V  
DSP GND  
DSP GND  
AD FL  
GND  
AD FR

TO MAIN B'D  
-12V  
+12V  
FL  
GND  
FR  
GND  
SL  
GND  
SBL  
GND  
SBR  
GND  
C  
GND  
SW

# AG-15D/AG-7D

## AV Digital Home Theater Receiver

1st Issue; November 2004

# TEAC SCHEMATIC DIAGRAM AG-15D/AG-7D VIDEO PCB, COMPONENT PCB, MIC PCB

1 2 3 4 5 6 7 8

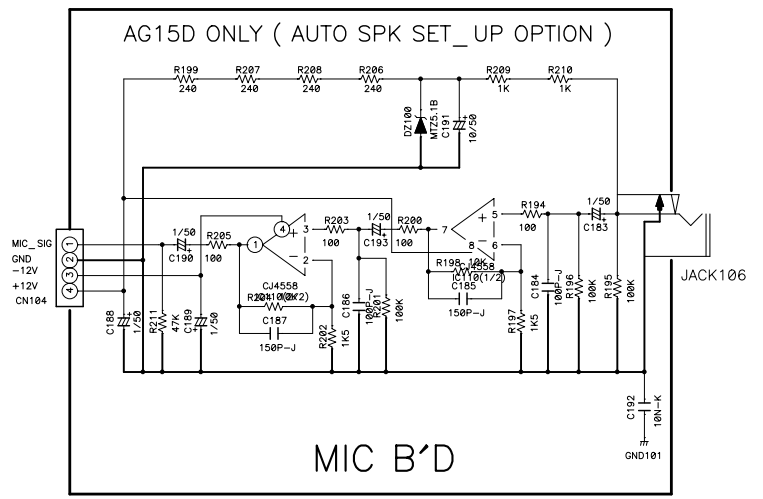
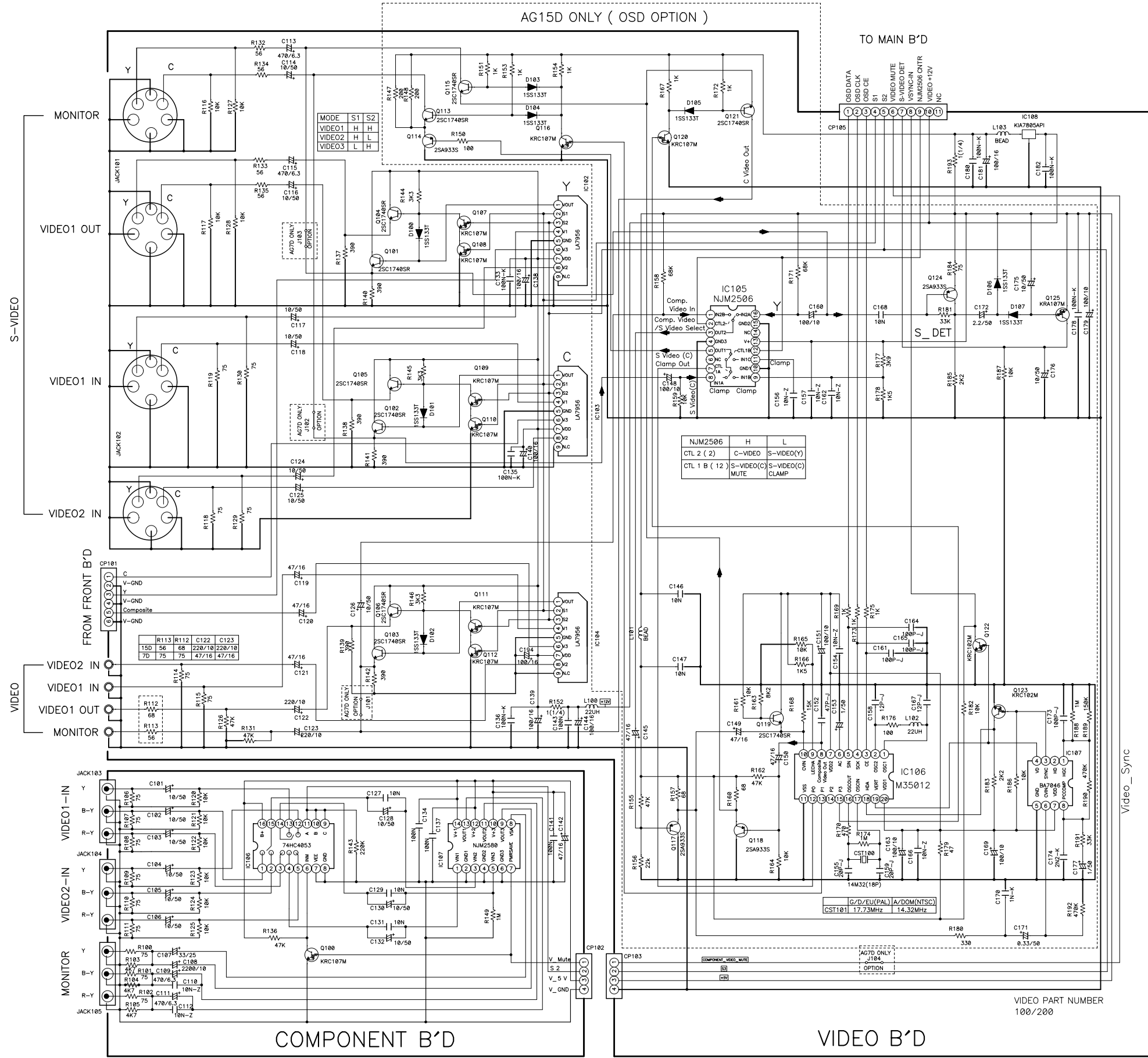
A

B

C

D

E

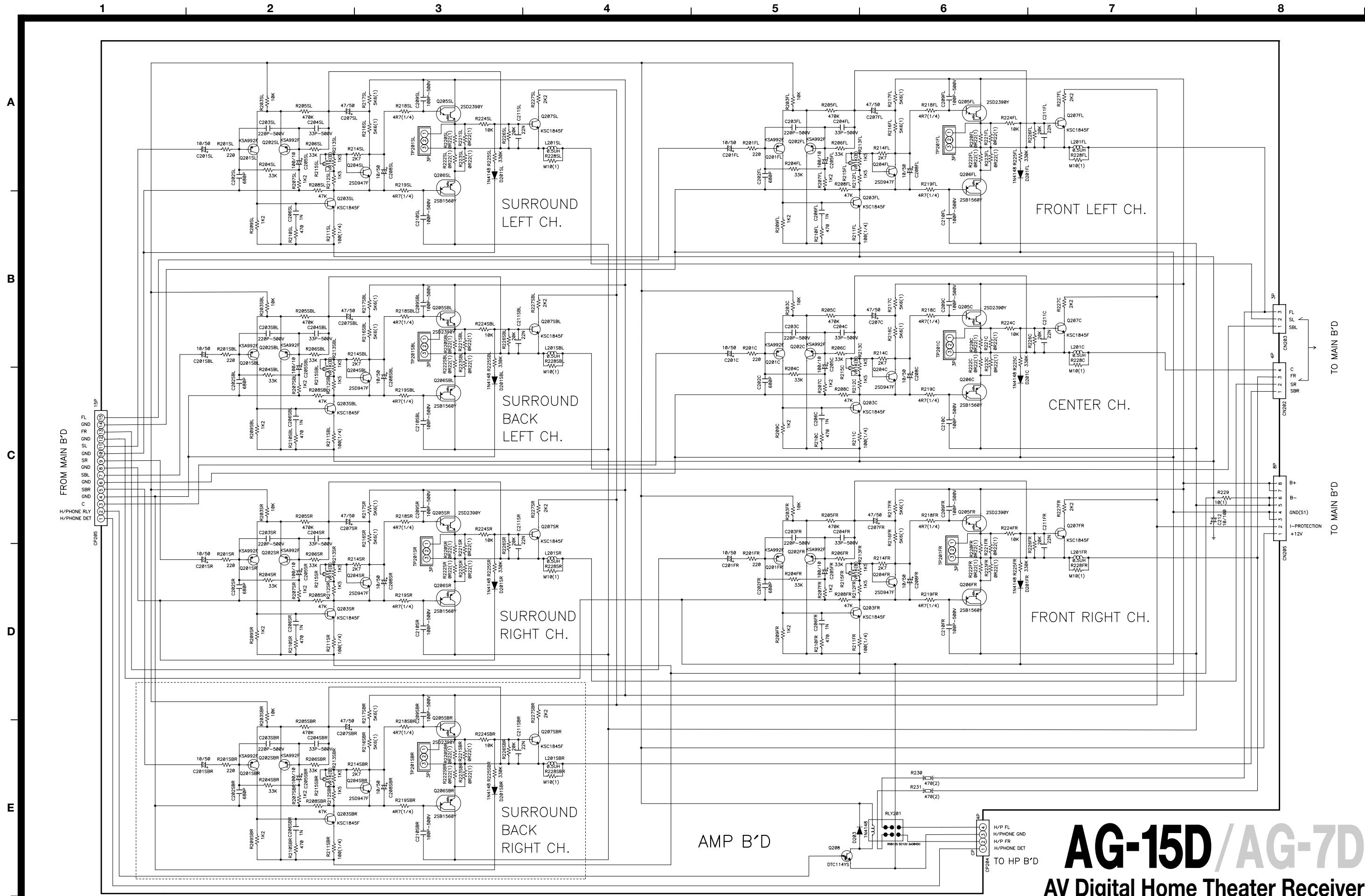


# AG-15D/AG-7D

## AV Digital Home Theater Receiver

1st Issue; November 2004

# TEAC SCHEMATIC DIAGRAM AG-15D/AG-7D AMP PCB

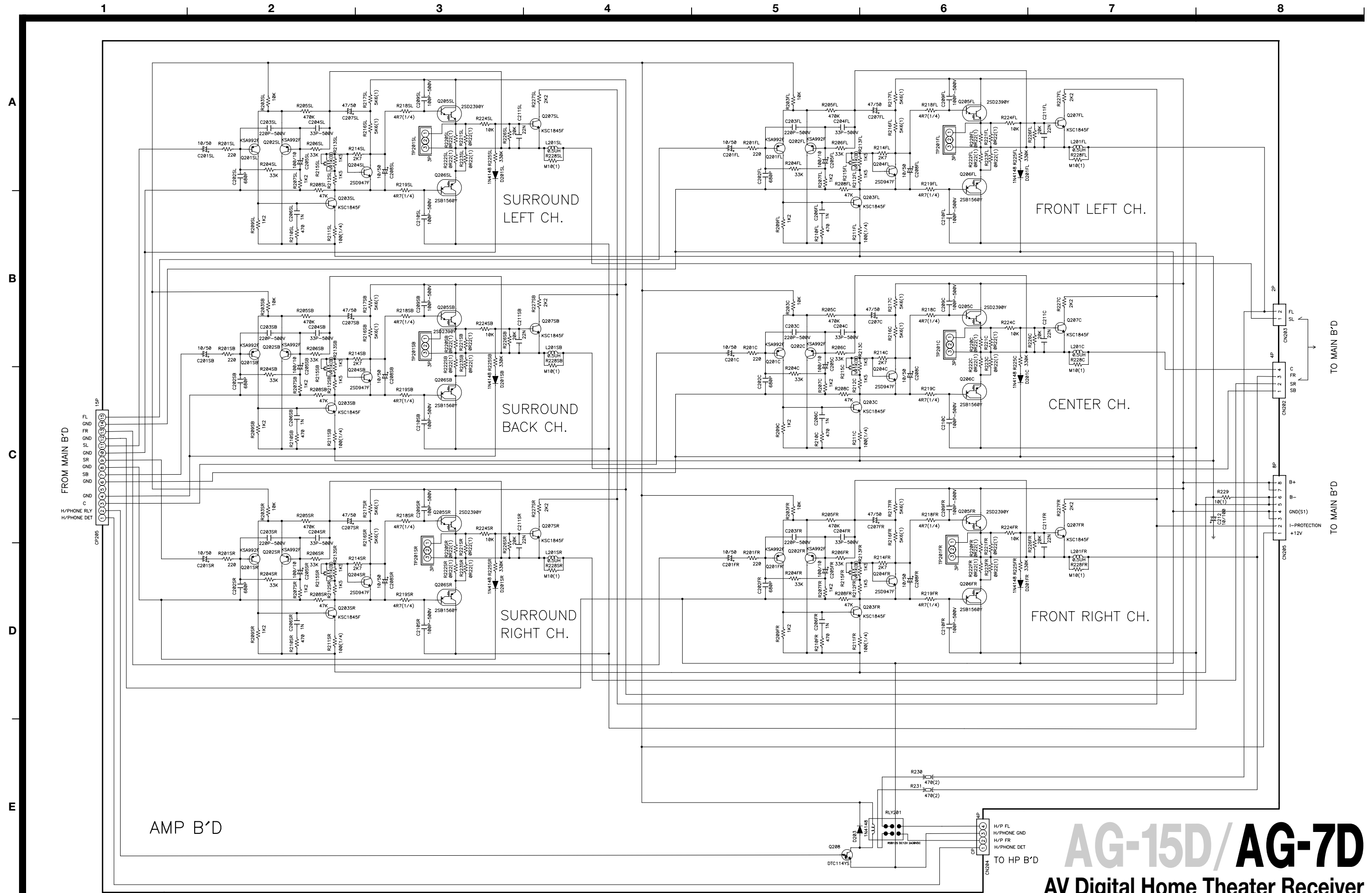


## AG-15D/AG-7D

### AV Digital Home Theater Receiver

1st Issue; November 2004

# TEAC SCHEMATIC DIAGRAM AG-15D/AG-7D AMP PCB

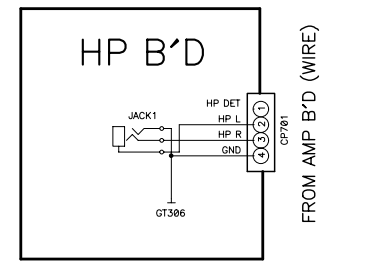
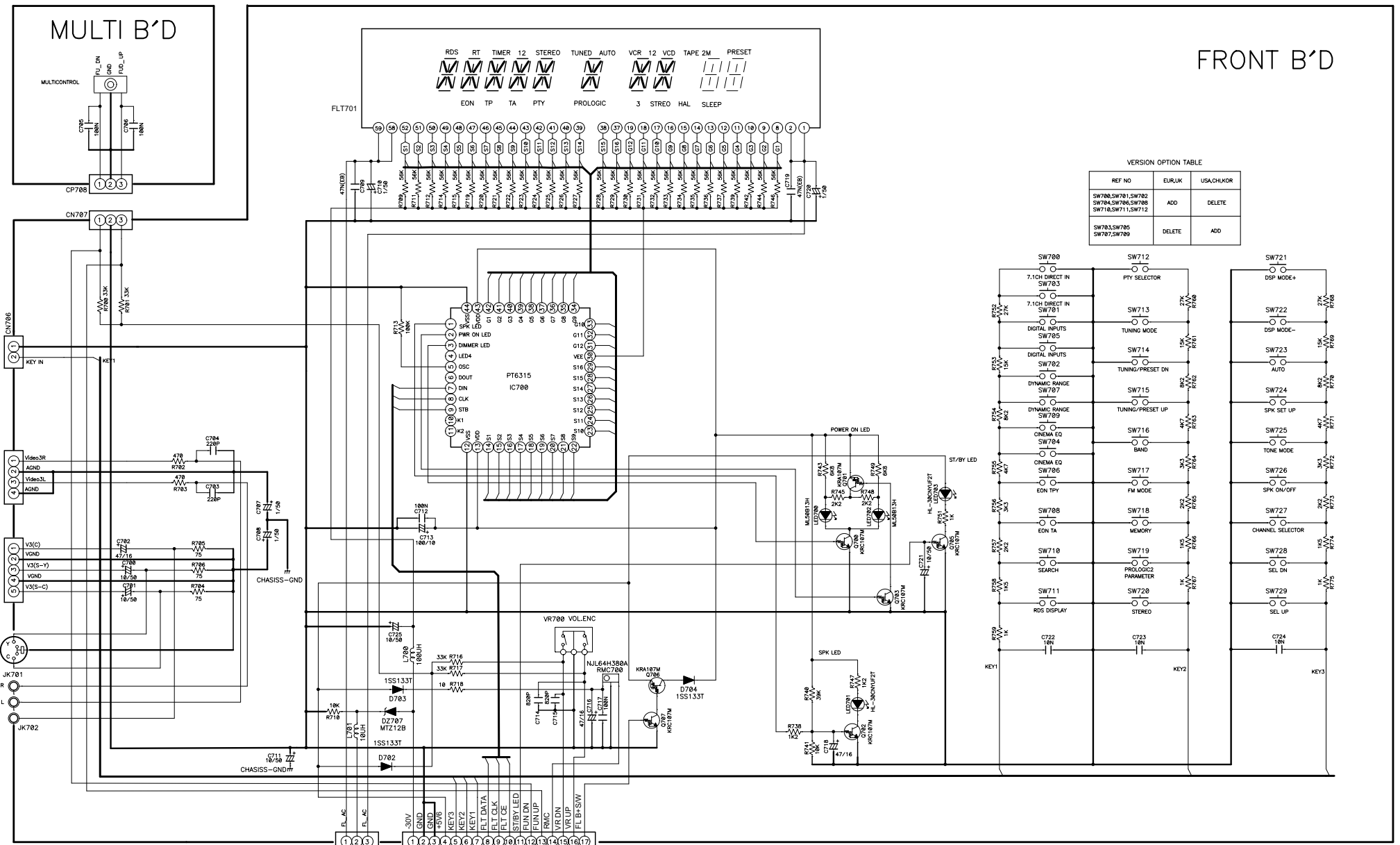


**AG-15D/AG-7D**  
**AV Digital Home Theater Receiver**  
 1st Issue; November 2004

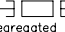
# TEAC SCHEMATIC DIAGRAM AG-15D/AG-7D ST/BY SW PCB, MULTI PCB, FRONT PCB, HP PCB, ST/BY PCB, POWER SW PCB

1 2 3 4 5 6 7 8

A  
B  
C  
D  
E

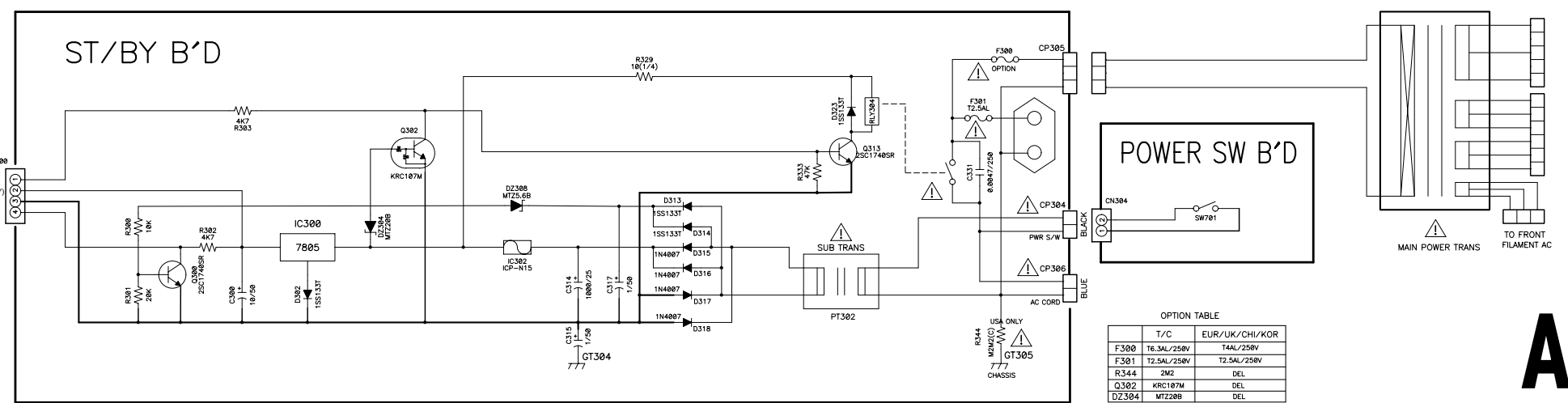


**NOTES**

1. Resistor values are indicated in ohms unless otherwise specified  
[ k = 1,000 m = 1,000,000 ]
2. Capacitor values are indicated in microfarads unless otherwise specified.  
[ p = micro-microfarads ]
3.  : These resistor are to be segregated from printed wiring board or other accessible parts.

**CAUTION**  
Safety precaution to be followed during servicing

- 1] Since those parts marked with a warning symbol are critical parts for safety, use only the one described in the parts list
- 2] Before returning the set to the customer make appropriate leakage current or resistance measurements to determine the exposed parts are properly insulated from the supply circuit.



T/C	EUR/UK/CHI/KOR
F300	T4L/250V
F301	T2.5AL/250V
R344	2M2 DEL
Q302	KRC107M DEL
DZ304	MT220B DEL

# AG-15D/AG-7D

## AV Digital Home Theater Receiver

1 st Issue; November 2004