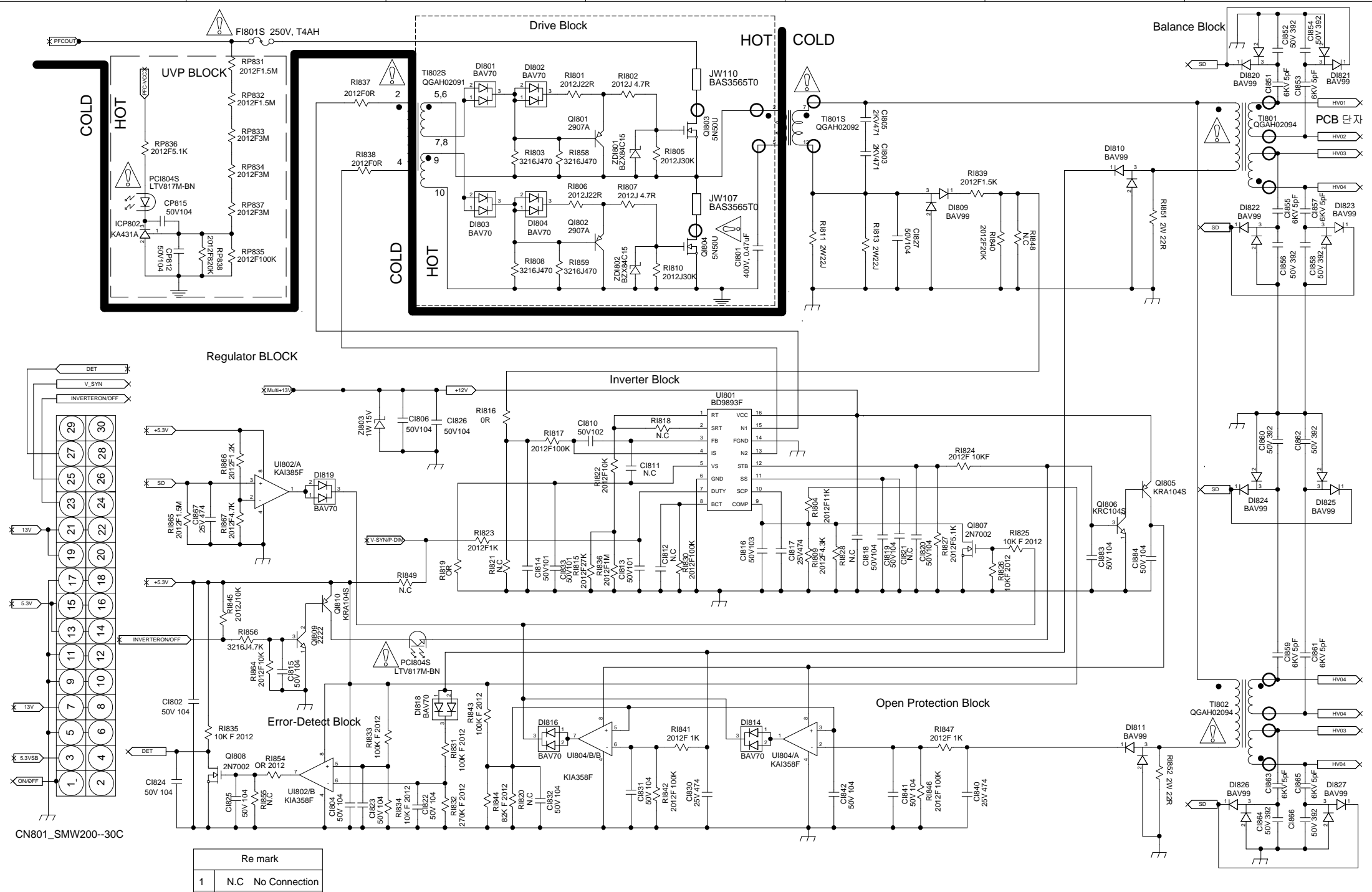


Re mark	
1	N.C : No Connection
2	○ : EYELET



Re mark	
1	N.C No Connection
2	○ EYELET

Title		H32F1_9DY INVERTER		Note 2009.04.06	
Size	A3	DOC NO.	{DOCNO}	Revision	REV1.2
H32F1_9DY INVERTER (090406) .schfile 2009-04-06 2 8:14:27 (SHNO)					