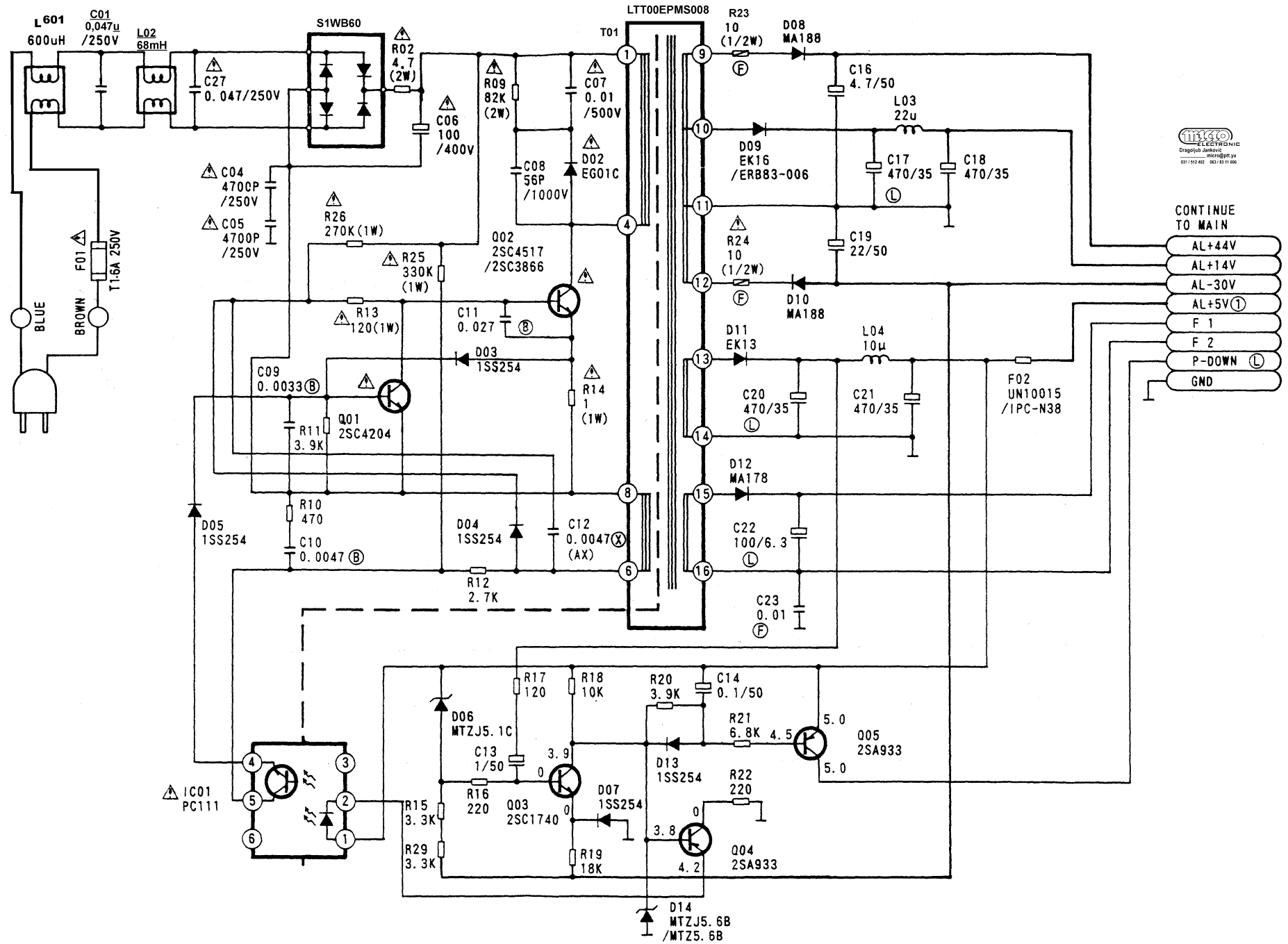


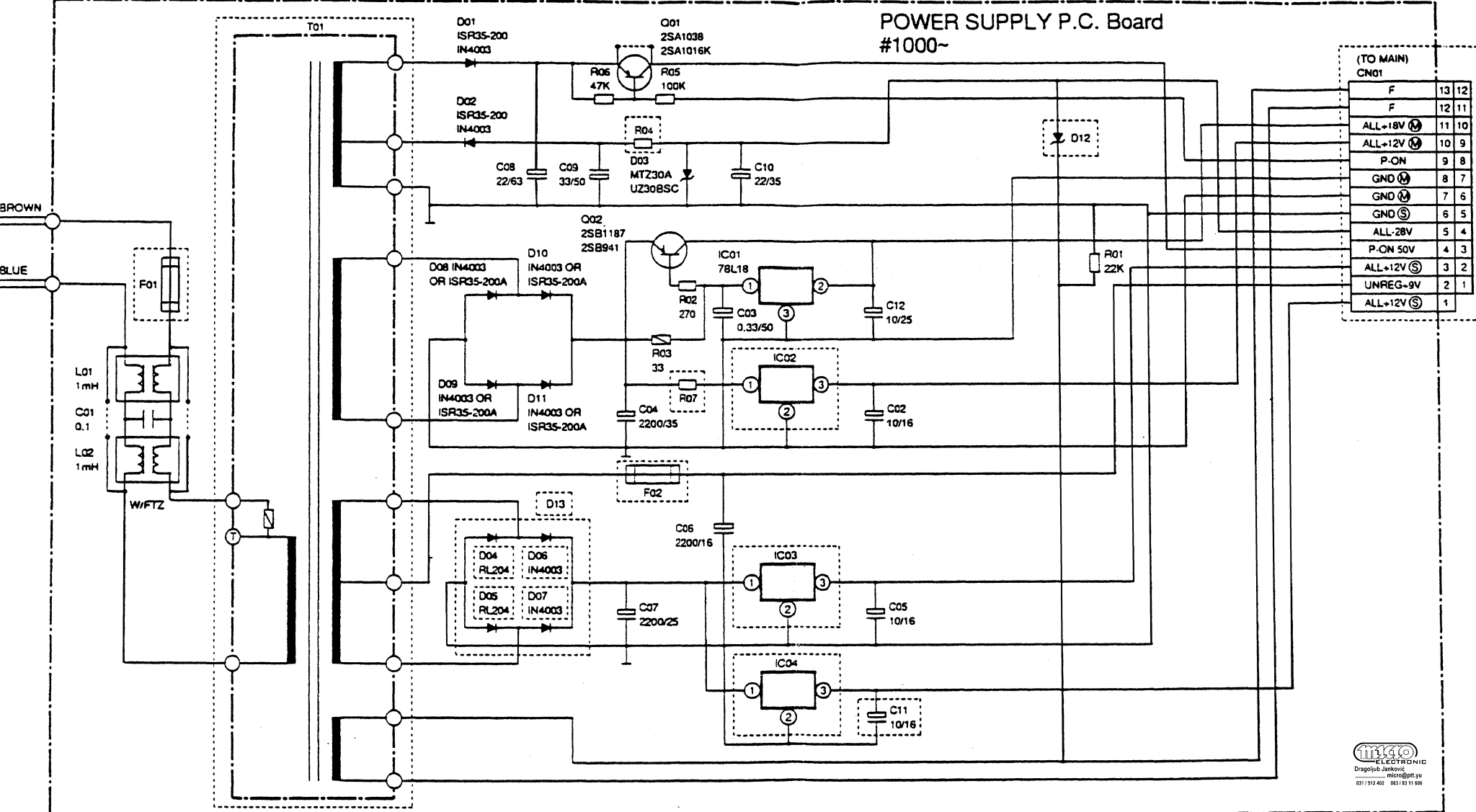
AC01 AC100~240V
50/60HZ



CONTINUE TO MAIN

- AL+44V
- AL+14V
- AL-30V
- AL+5V ①
- F 1
- F 2
- P-DOWN ②
- GND

POWER SUPPLY P.C. Board #1000~



(TO MAIN)
CN01

F	13	12
F	12	11
ALL+18V (M)	11	10
ALL+12V (M)	10	9
P.ON	9	8
GND (M)	8	7
GND (M)	7	6
GND (S)	6	5
ALL-28V	5	4
P.ON 50V	4	3
ALL+12V (S)	3	2
UNREG-9V	2	1
ALL+12V (S)	1	

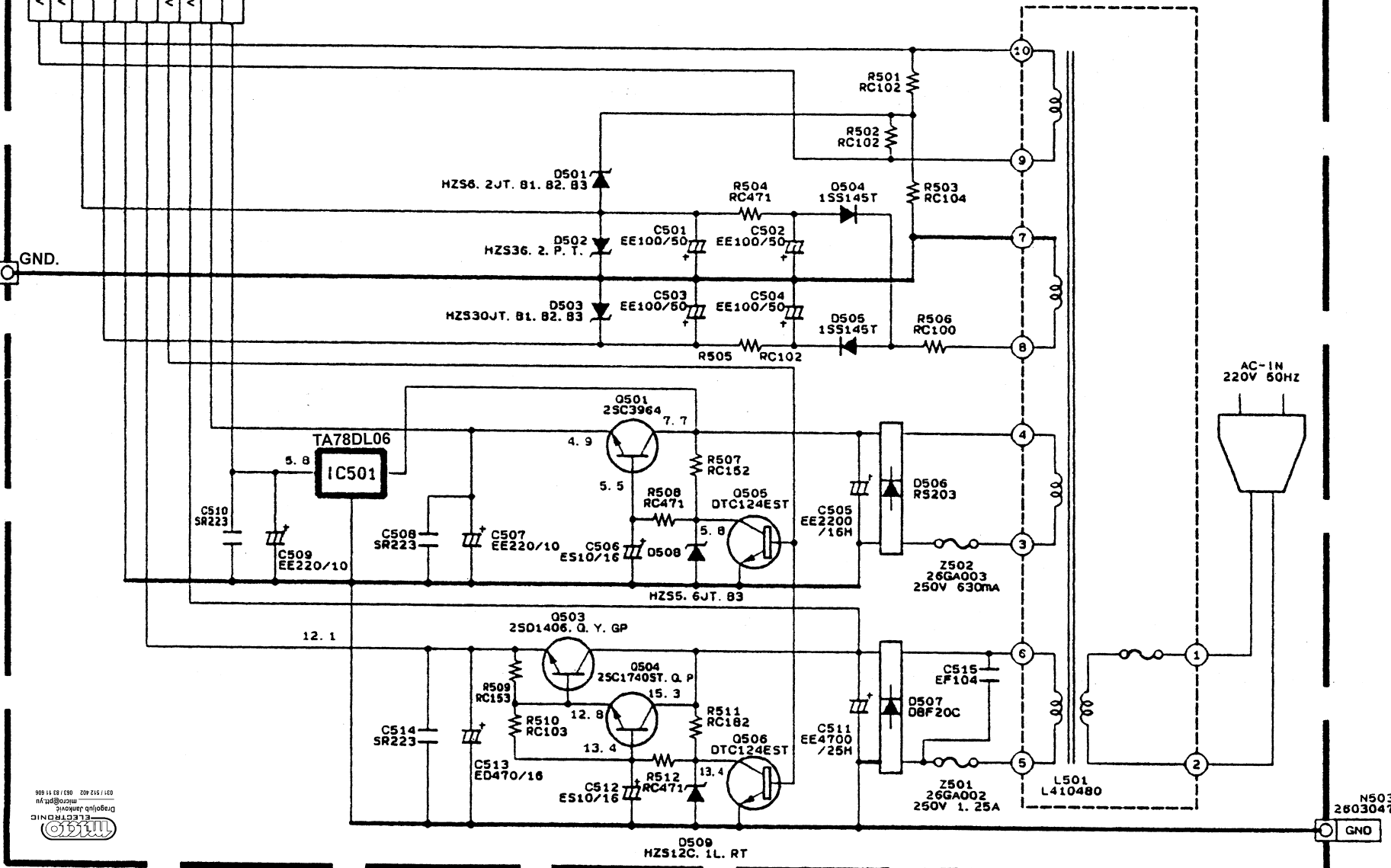


Model No.	Symbol No.	D1004	D1005	D1006	D1007	D1012	D1013	F1001	F1002	IC1002	IC1003	IC1004	R1004	R1007	T1001	CN1001	C1011
VCR8203		RL204	RL204	IN4003	IN4003	MTZ6.2B	X	T200mA	T500mA	AN7812F or NJM7812FA	AN7812F or NJM7812FA	X	270Ω	X	LTT57EPSA015	12pin	X
VCR8207		X	X	X	X	MTZ6.8A or B	S4VB20	T630mA	T1.6A	AN7812F or NJM7812FA	AN7812F or NJM7812FA	AN7812F or NJM7812FA	510Ω	JUMPER	LTT66EPSA008	13pin	10μF/16V

10	9	8	7	6	5	4	3	2	1
-30V+ACS	-30V+ACS	-36V	30V	GND	SW 12V	UNREG 16V	SW 5.1V	6V	

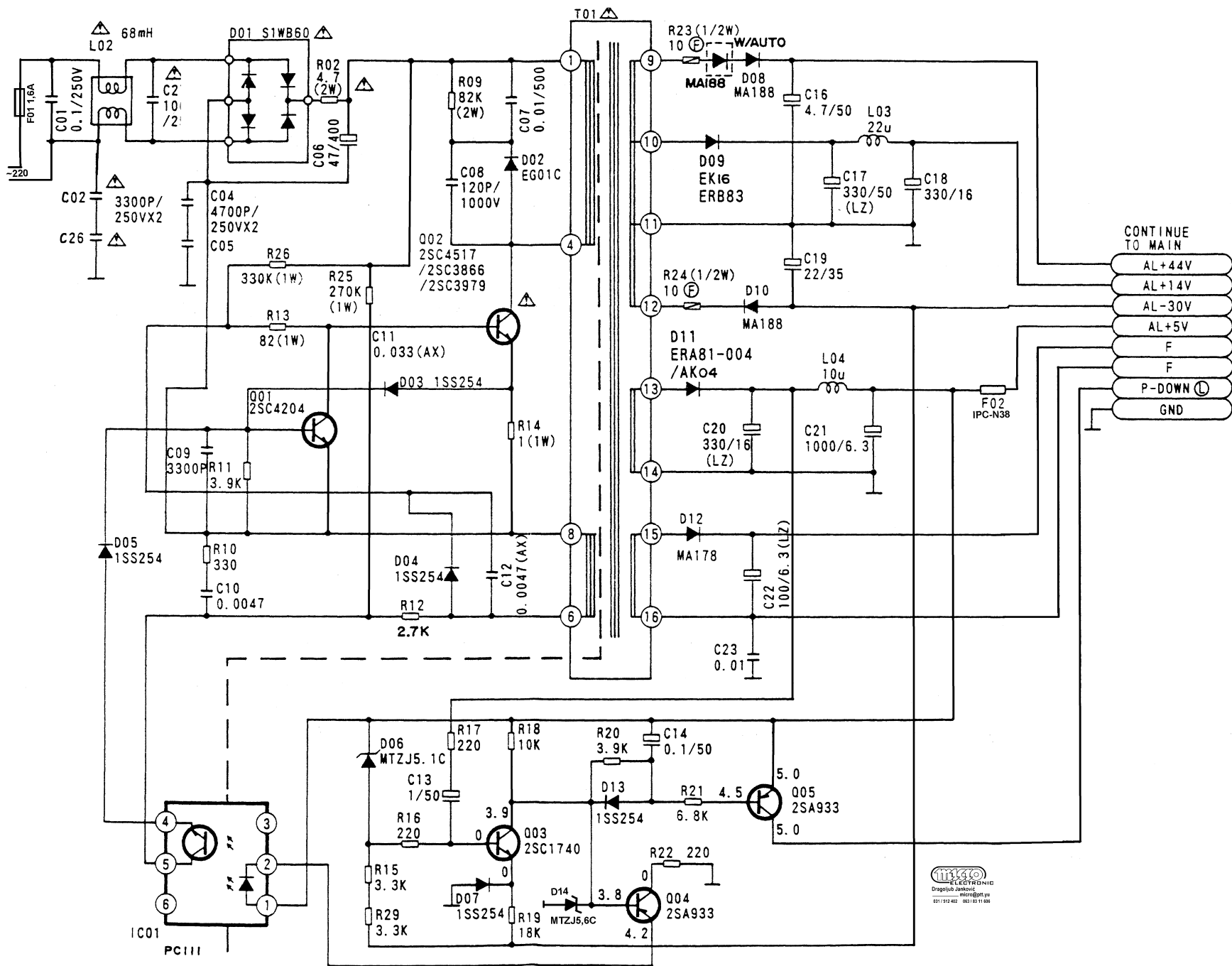
P501 19811079A

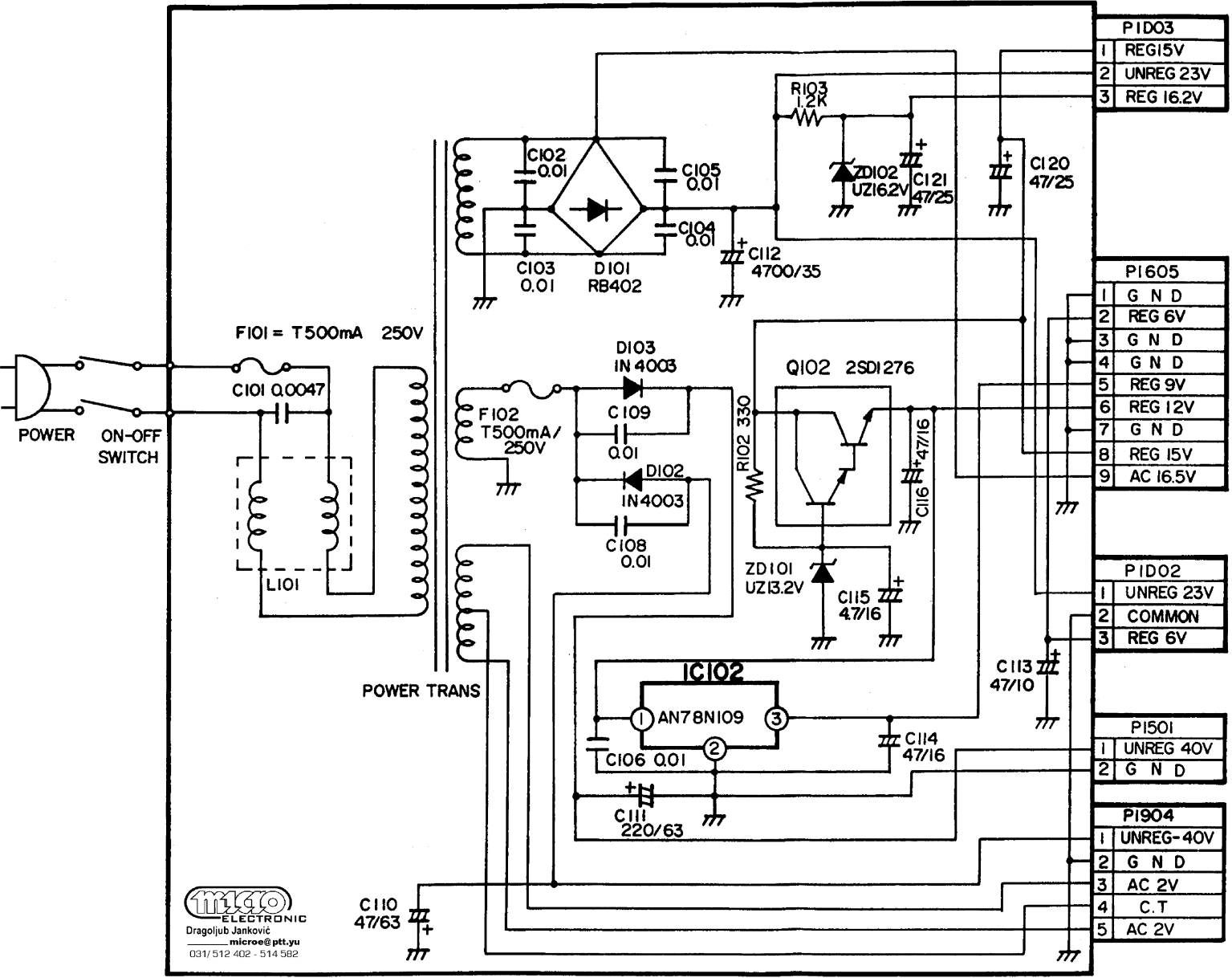
REG PCB W501 180532750



N503
2603047

GND





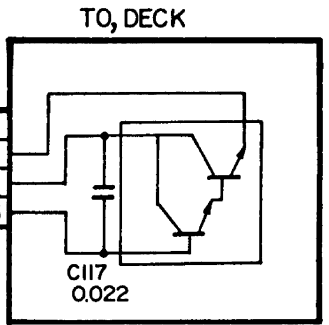
PID03		
1	REG15V	
2	UNREG 23V	
3	REG 16.2V	

PI605		
1	G N D	
2	REG 6V	
3	G N D	
4	G N D	
5	REG 9V	
6	REG 12V	
7	G N D	
8	REG 15V	
9	AC 16.5V	

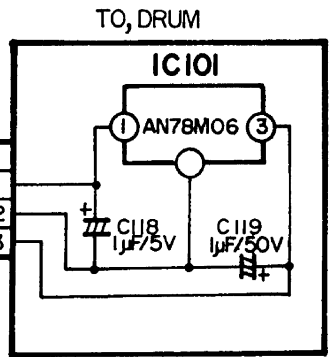
PID02		
1	UNREG 23V	
2	COMMON	
3	REG 6V	

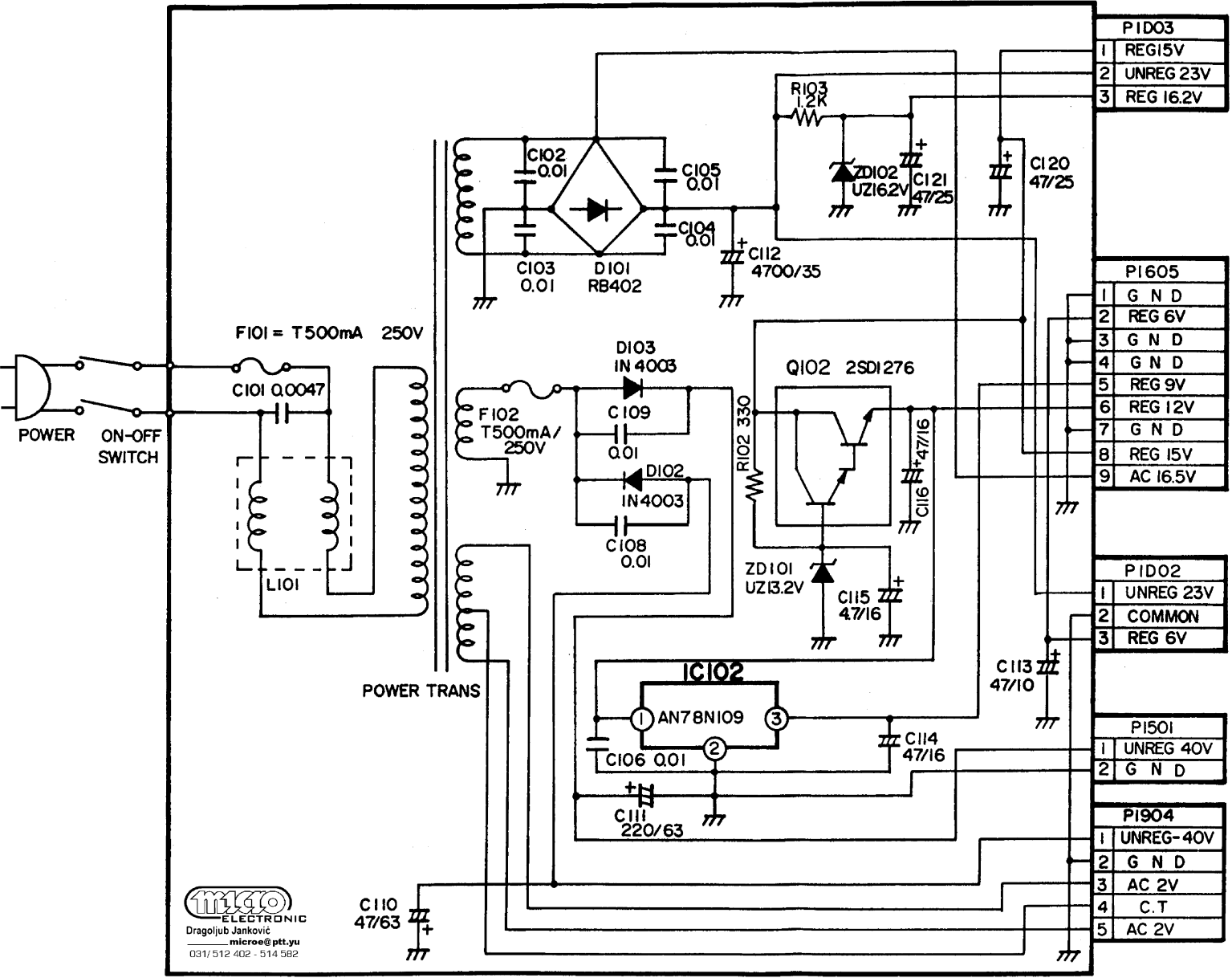
PI501		
1	UNREG 40V	
2	G N D	

PI904		
1	UNREG-40V	
2	G N D	
3	AC 2V	
4	C.T	
5	AC 2V	



Q101 2SD1276





PID03		
1	REG15V	
2	UNREG 23V	
3	REG 16.2V	

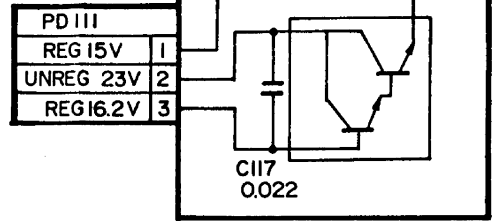
PI605		
1	G N D	
2	REG 6V	
3	G N D	
4	G N D	
5	REG 9V	
6	REG 12V	
7	G N D	
8	REG 15V	
9	AC 16.5V	

PID02		
1	UNREG 23V	
2	COMMON	
3	REG 6V	

PI501		
1	UNREG 40V	
2	G N D	

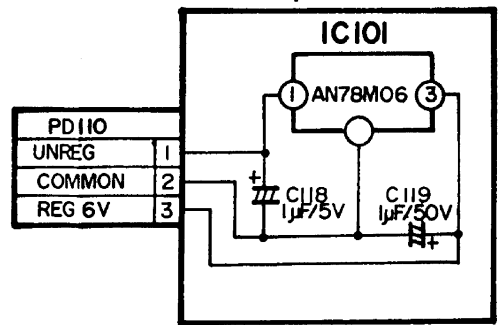
PI904		
1	UNREG-40V	
2	G N D	
3	AC 2V	
4	C.T	
5	AC 2V	

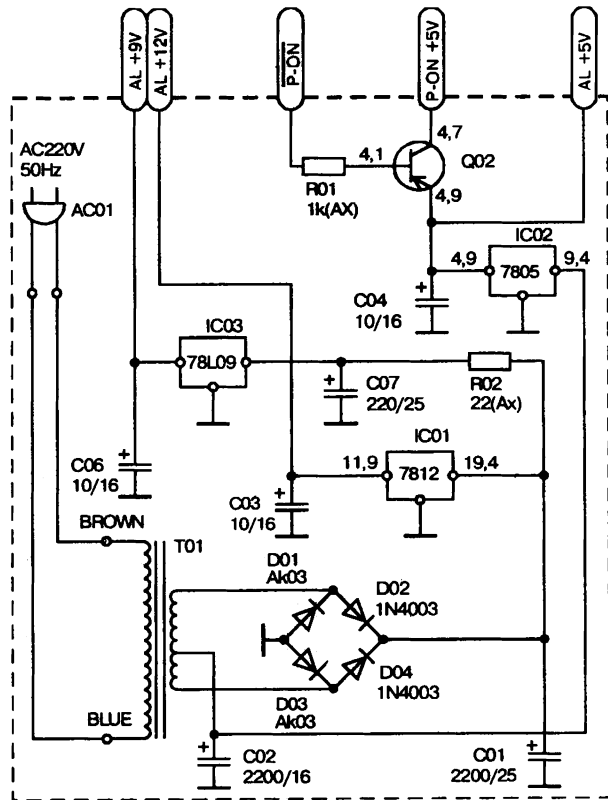
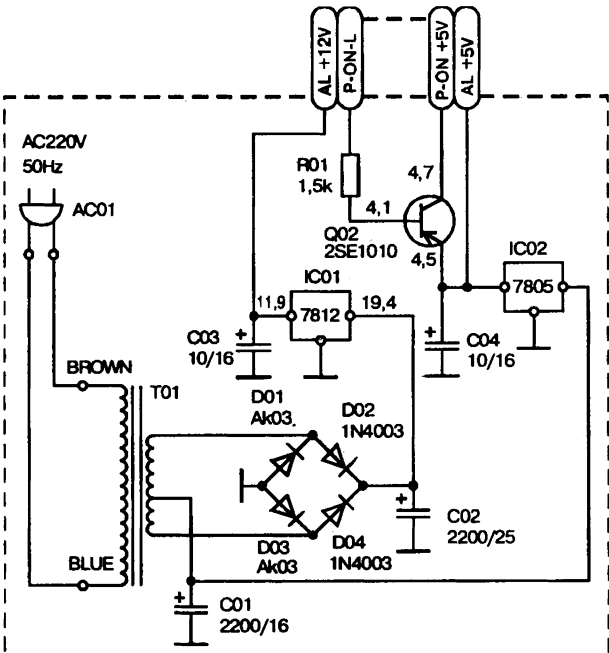
TO, DECK



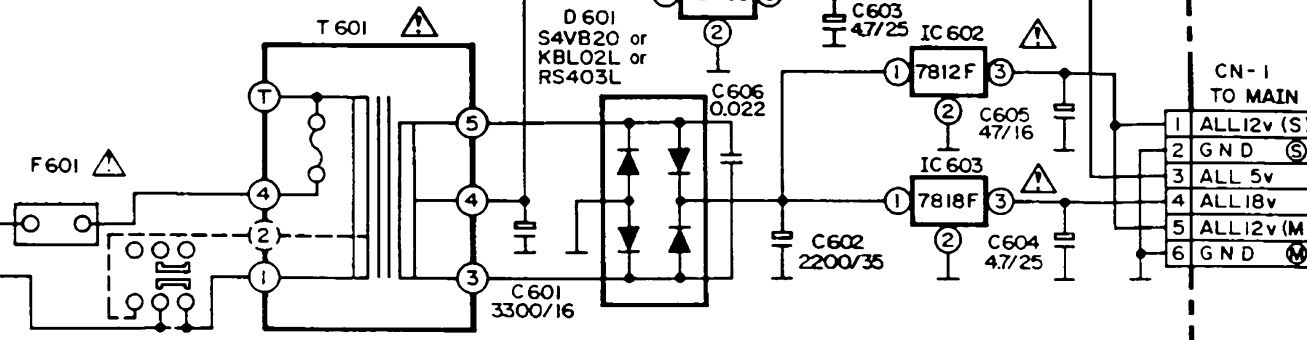
Q101 2SD1276

TO, DRUM





PSV PCB



CN-1 TO MAIN

1	ALL 12v (S)
2	GND (S)
3	ALL 5v
4	ALL 18v
5	ALL 12v (M)
6	GND (M)