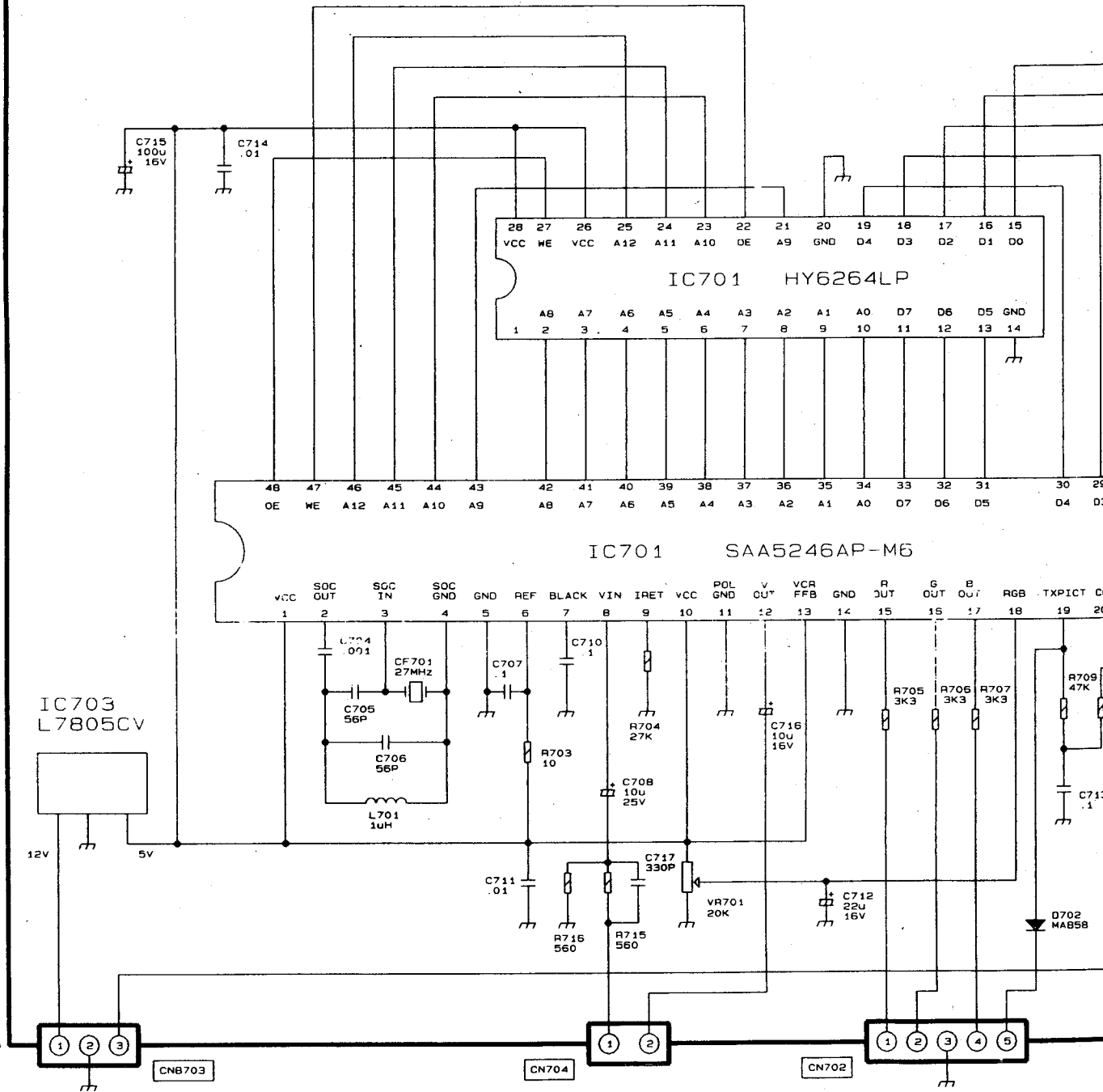
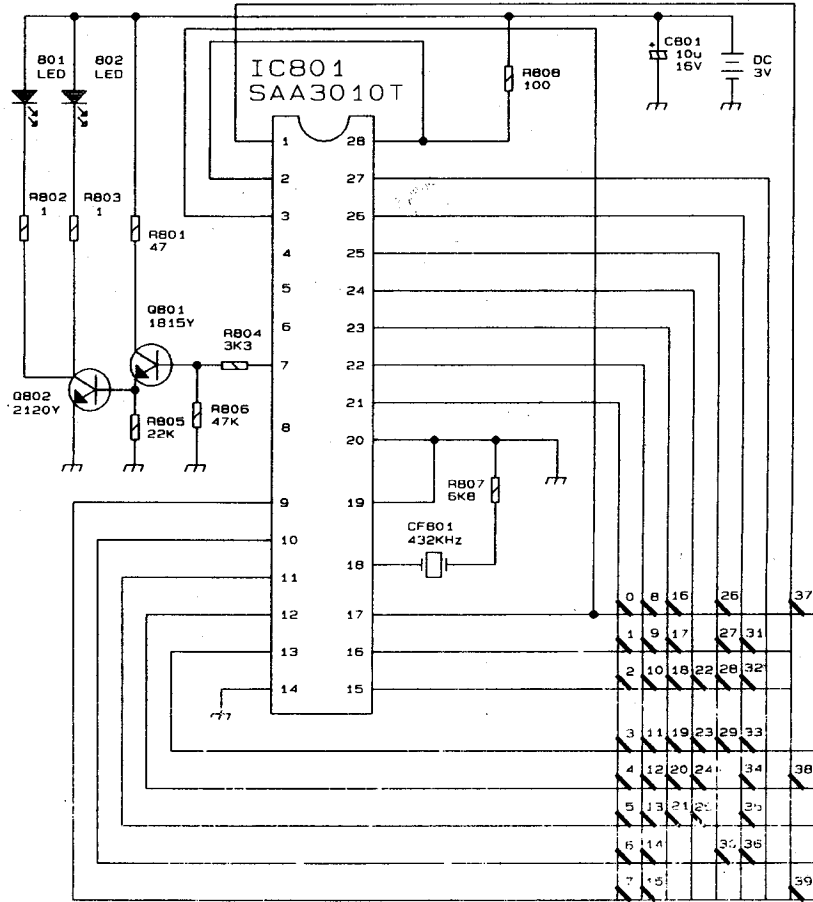


TELETEXT P.C. BOARD (58AA-B8213B-00)

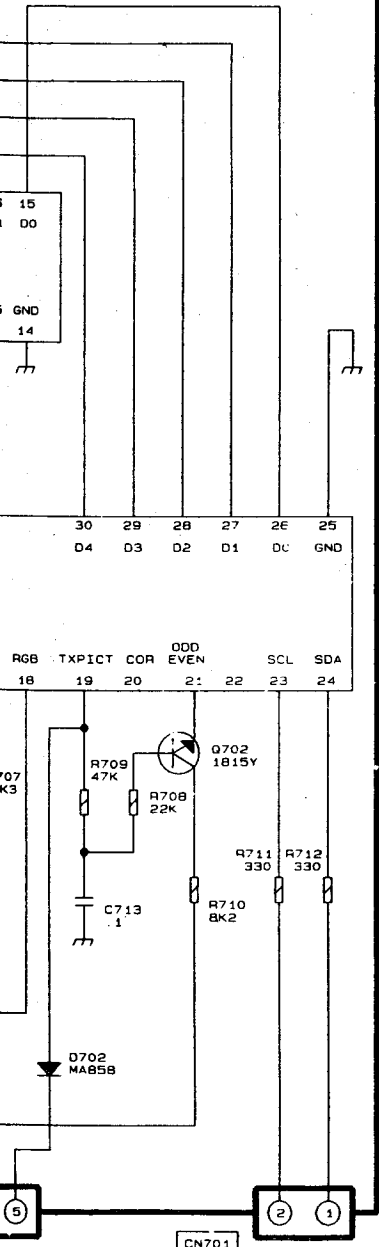


SHIVAKI MODEL: STV-217M4

HANDSET P.C.B BOARD

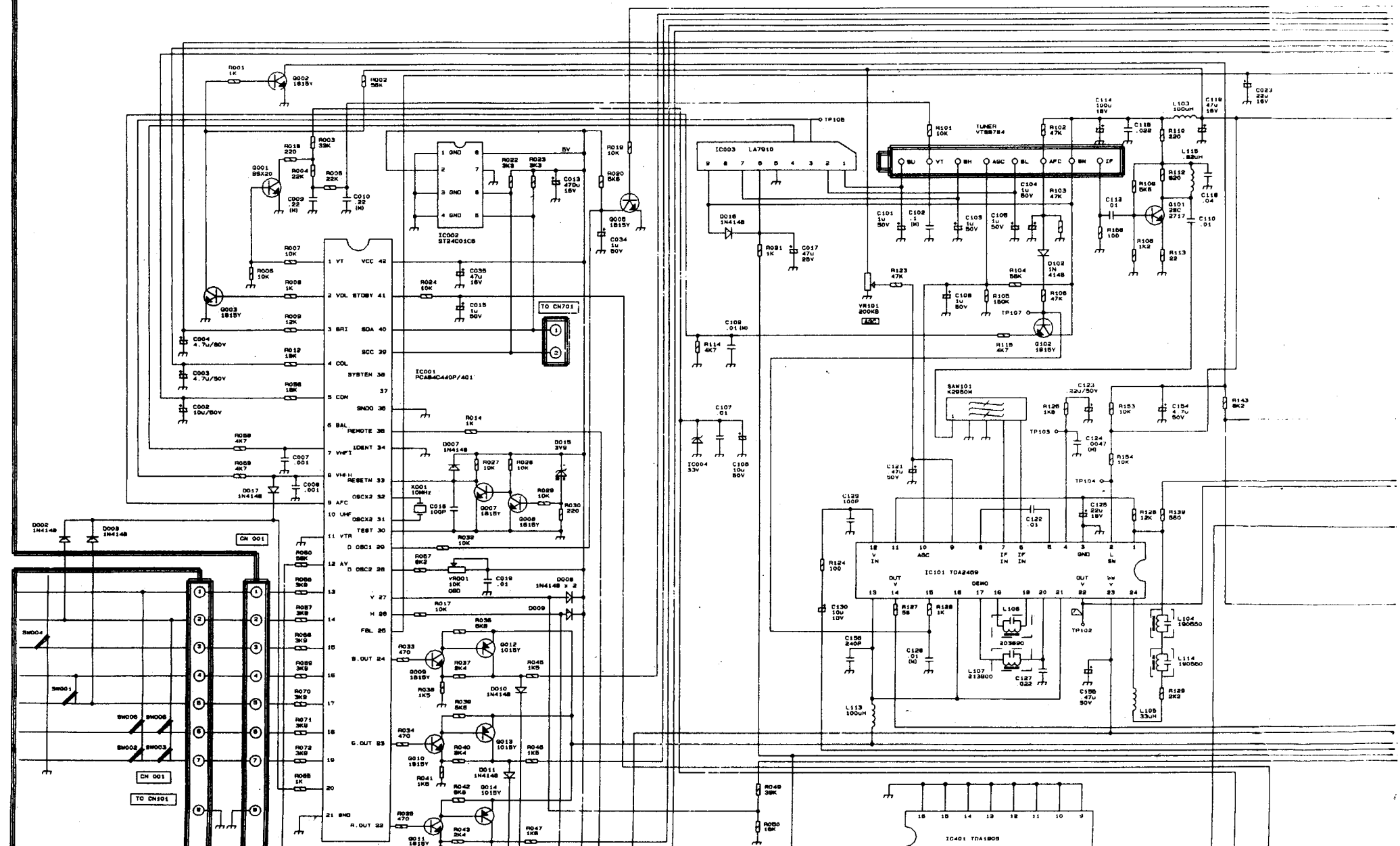


0	10	PAGE+ --/	26	PROG+
1	11	PAGE-	27	PROG-
2	12	STANDBY	28	O.V
3	13	MUTE	29	ST/MO
4	14	P.P	30	SLEEP
5	15	RECALL	31	HOLD
6	16	VOL+	32	SUB PAGE
7	17	VOL-	33	LARGE
8	18	BRI+	34	REVEAL
9	19	BRI-	35	CANCELL
	20	COL+	36	MIX
	21	COL-	37	AV
	22	BAL-R	38	TEXT
	23	BAL-L	39	TV
	24	CON+		
	25	CON-		



SKYWORTH ELECTRONICS CO., LTD	
TITLE : TELETEXT DIAGRAM	
BOM NO : 0221-B13001-00	
SYSTEM : TELETEXT (PHILIPS) SAA 2546 (T)	
P / N :	
REV DATE : 22 MAR 1996	DRAW DATE : 7-4-1996

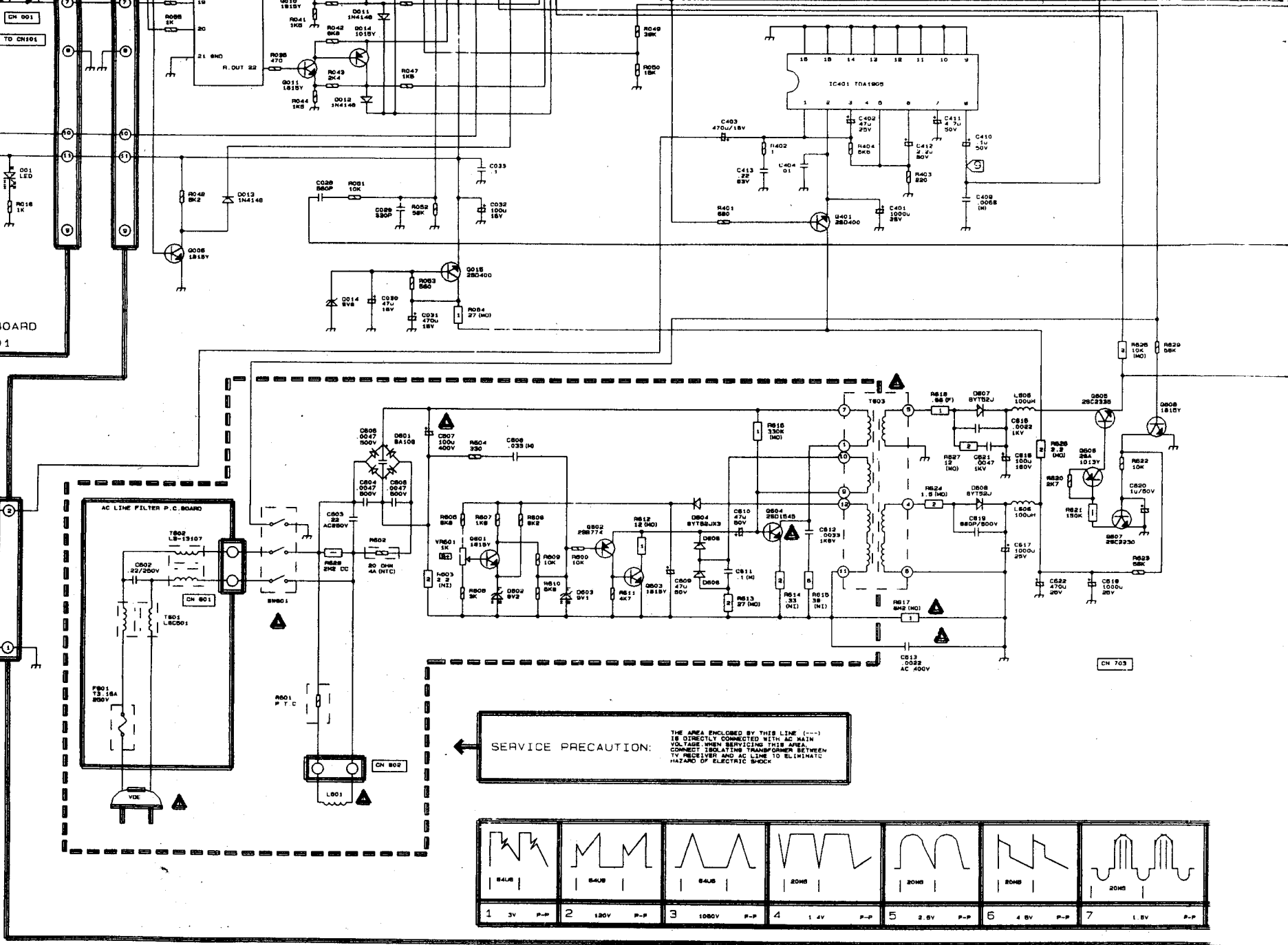
MAIN P.C. BOARD



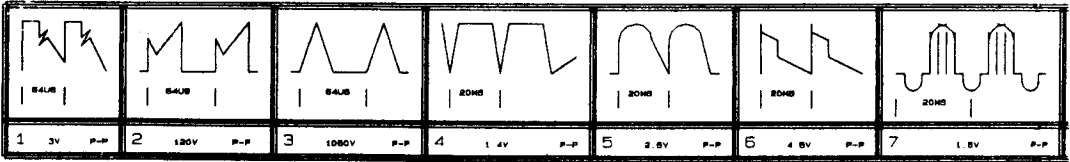
88001 SEARCH
 88002 VOL.
 88003 STY.
 88004 STY.
 88005 PRCS.
 88006 PRCS.

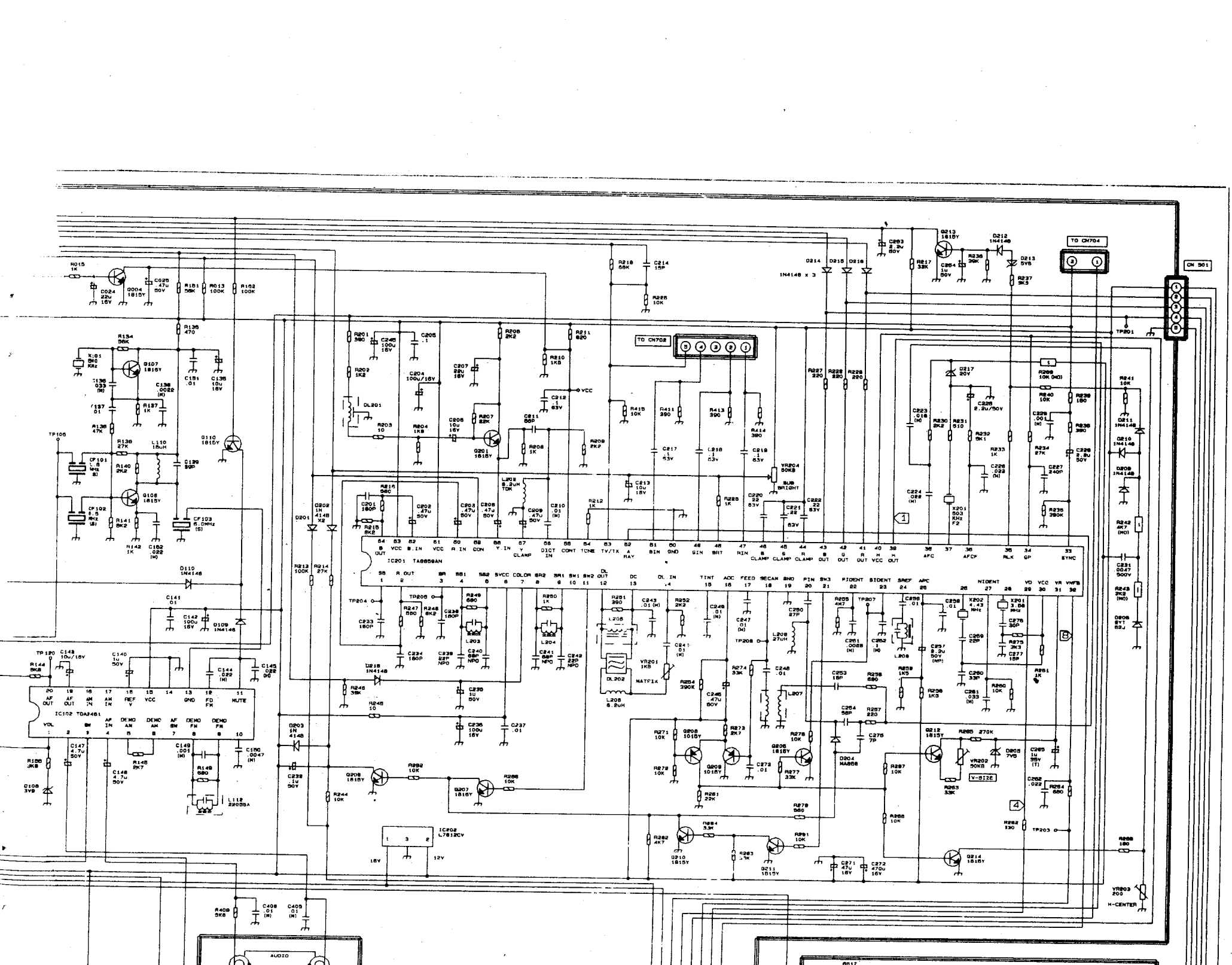
CONTROL P.C. BOARD
5800-D2140P-01

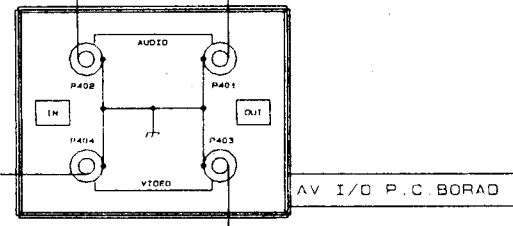
4 ohm 3W x 2



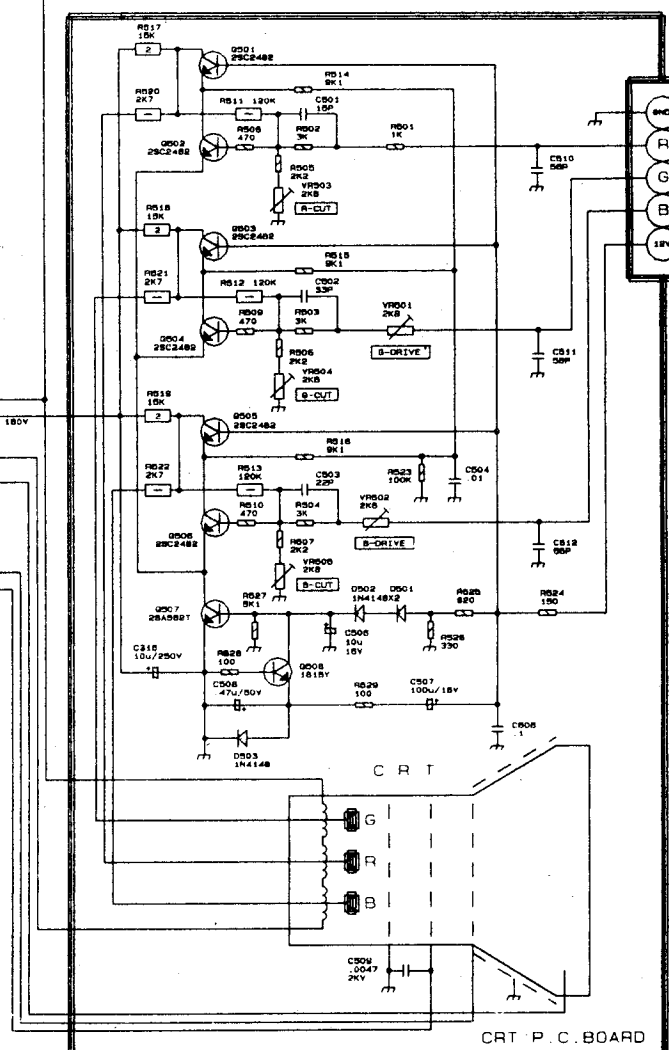
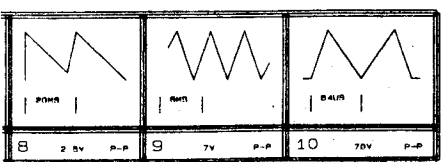
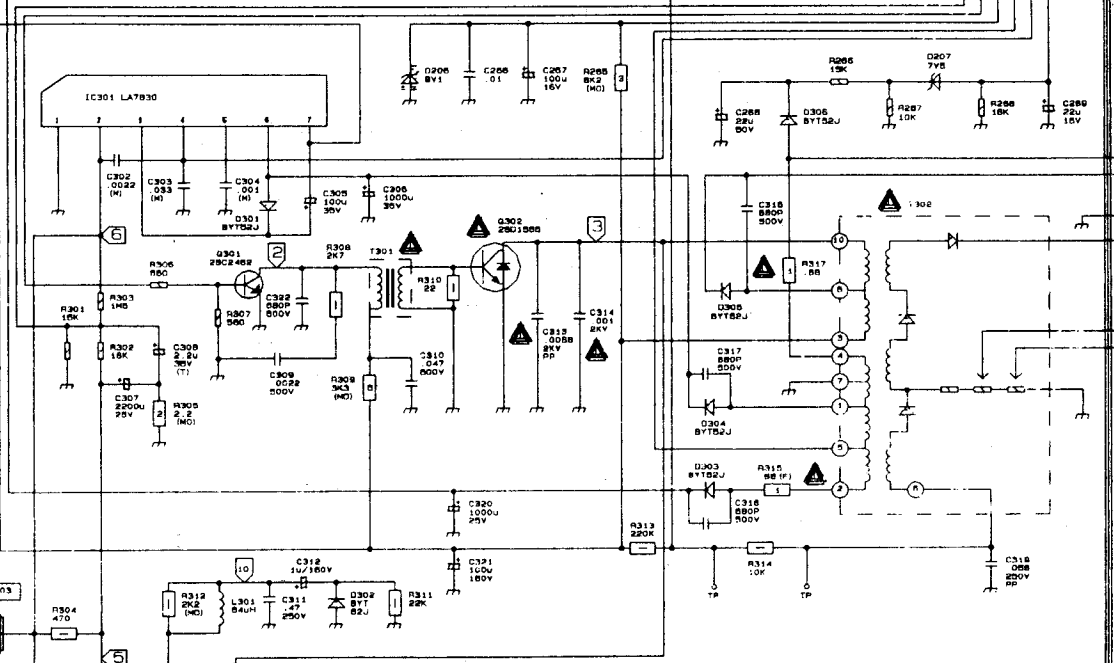
SERVICE PRECAUTION:
 THE AREA ENCLOSED BY THIS LINE (---) IS DIRECTLY CONNECTED WITH AC MAIN VOLTAGE WHEN SERVICING THIS AREA. CONNECT ISOLATING TRANSFORMER BETWEEN TV RECEIVER AND AC LINE TO ELIMINATE HAZARD OF ELECTRIC SHOCK.







AV I/O P.C. BOARD



CRT P.C. BOARD

SKYWORTH ELECTRONICS CO., LTD.	
TITLE : SCHEMATIC DIAGRAM	
BOM NO: 2140-180001-00	
SYSTEM: PAL/SECAM/BG/DK/NTSC/PLAYBACK	
P / N :	
REV DATE	1 AUG 1995
DRAW DATE	20-3-1996