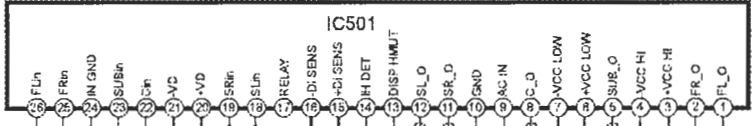
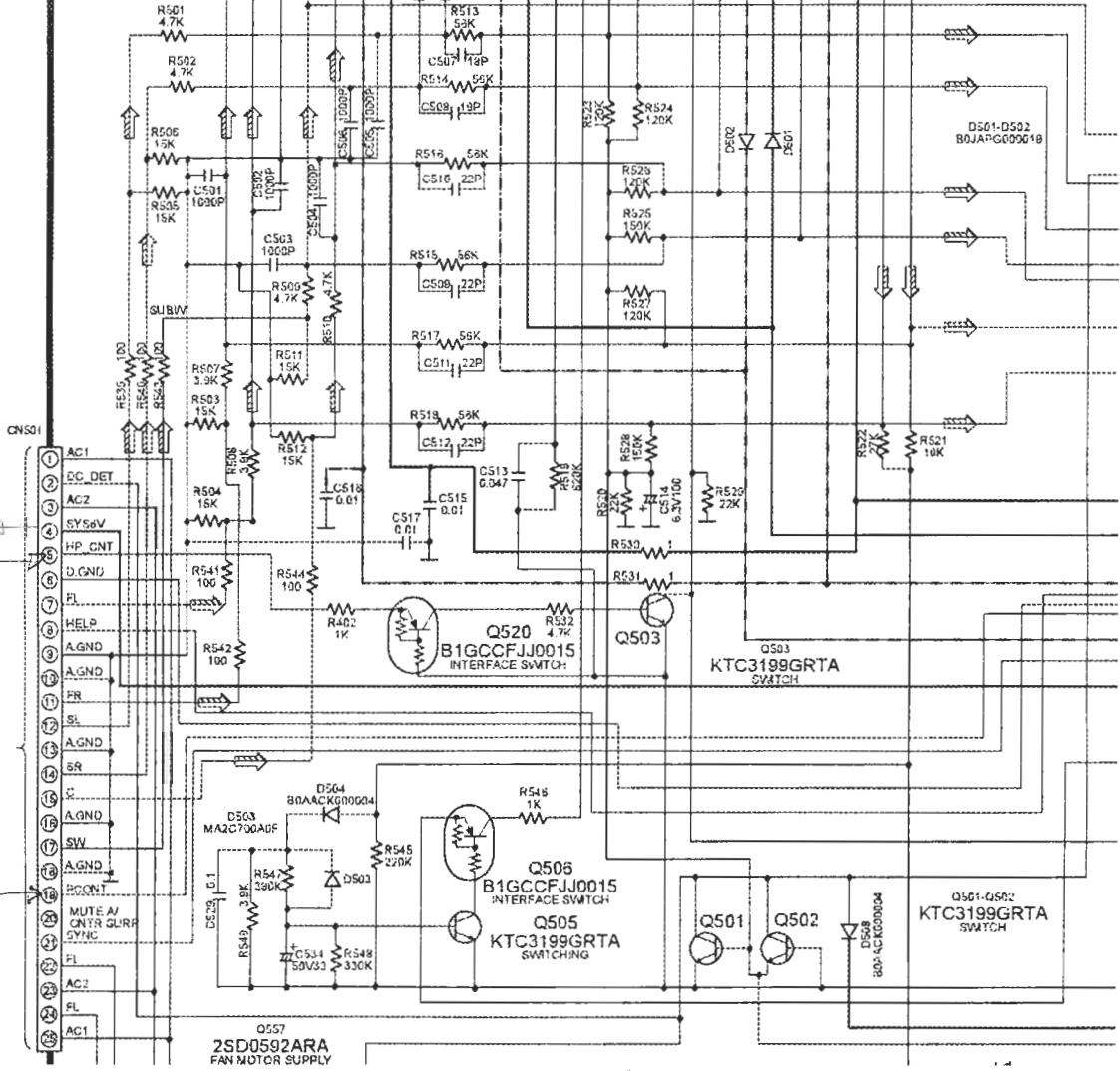


C551
0.01
E501
K4C201300027



IC501
RSN311W64B-P
POWER I/C

D2 GV
Mute H



CSQ1

- 1 AC1
- 2 EC_DET
- 3 AC2
- 4 SY56V
- 5 HP_GNT
- 6 D_GND
- 7 FL
- 8 HELP
- 9 A_GND
- 10 A_GND
- 11 FR
- 12 SL
- 13 A_GND
- 14 SR
- 15 S
- 16 A_GND
- 17 SW
- 18 FRONT
- 19 MUTE_A/
- 20 CNTR GLRP
- 21 SYNC
- 22 FL
- 23 FL
- 24 AC1

CIRCUIT
NO) OF
928EE-S

0/5V

Q57
2SD0592ARA
FAN MOTOR SUPPLY

Q520
B1GCCFJ0015
INTERFACE SWITCH

Q503
KTC3199GRTA
SWITCH

Q505
B1GCCFJ0015
INTERFACE SWITCH

Q505
KTC3199GRTA
SWITCHING

Q501-Q502
KTC3199GRTA
SWITCH

D508
80P-AC-K000004

D501-D502
80JAR-G000019