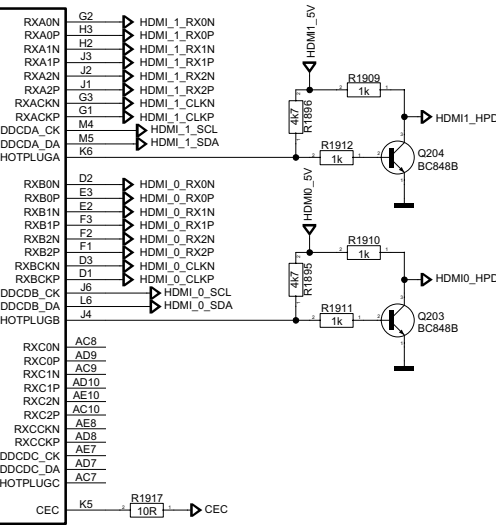
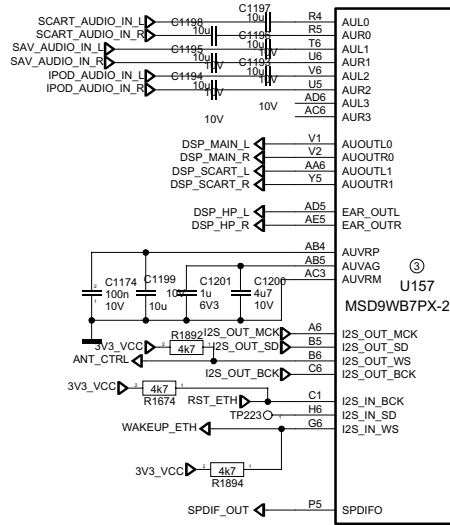
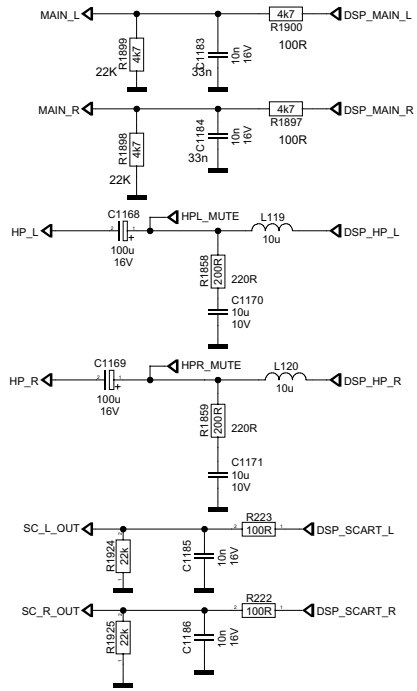
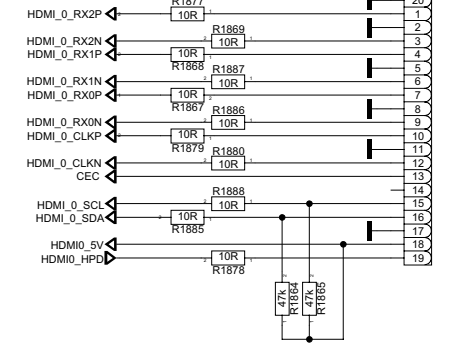


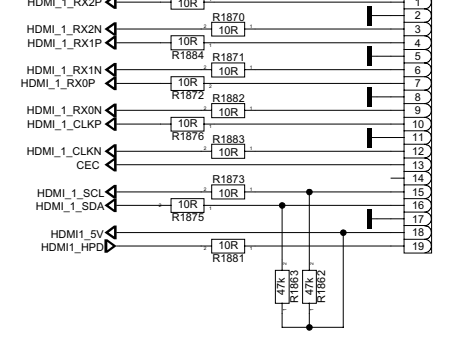
### AUDIO OUTPUTS



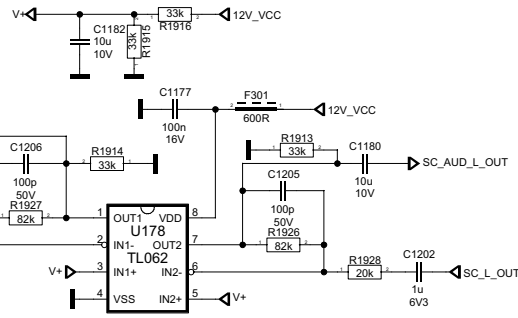
### HDMI2



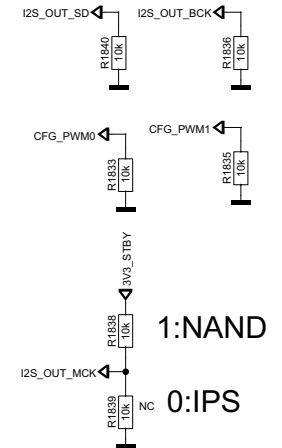
### HDMI1



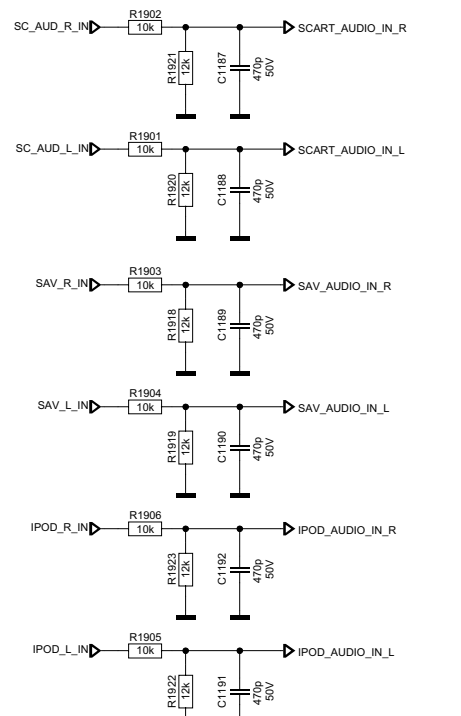
### PRE-AMP for SCART AUDIO



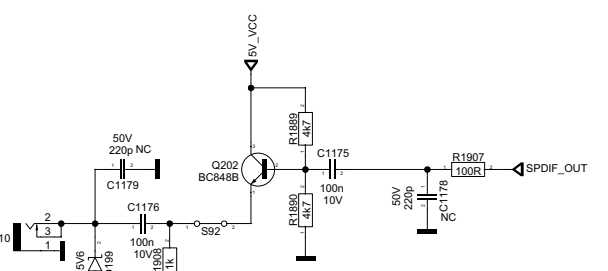
### MODE SELECTION



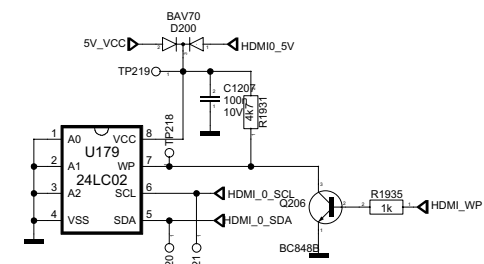
### AUDIO INPUTS



### COAX SPDIF OUT



### HDMI2 EDID EEPROM



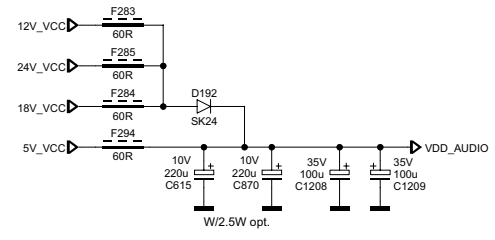
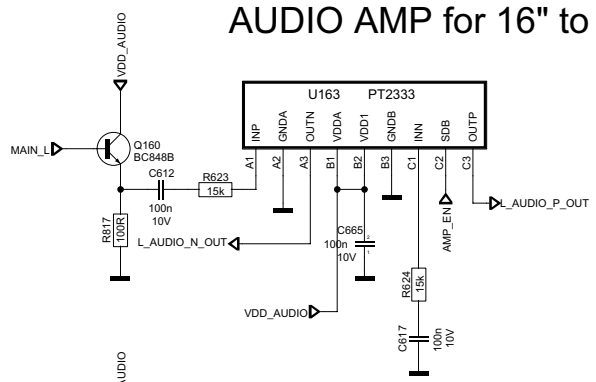
OPTIONAL

COMMON

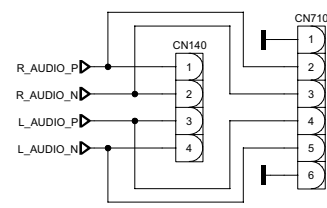
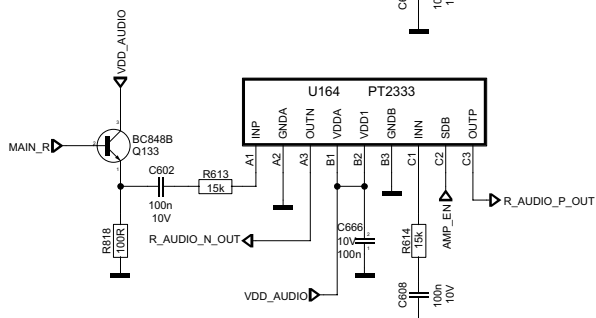
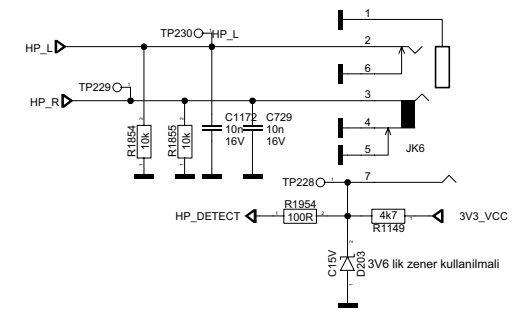




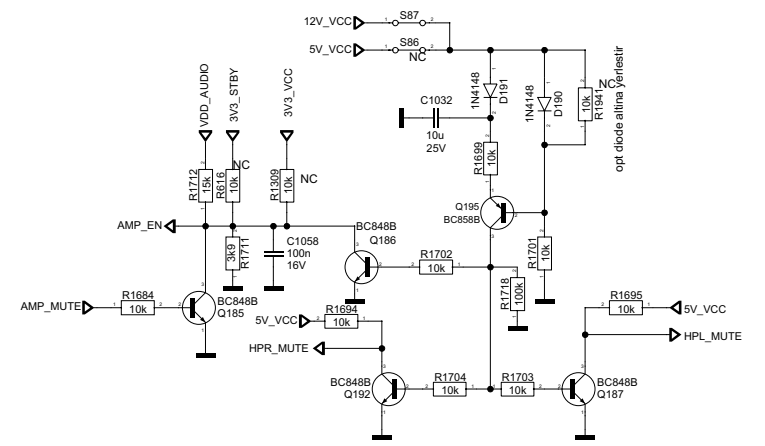
# AUDIO AMP for 16" to 24"



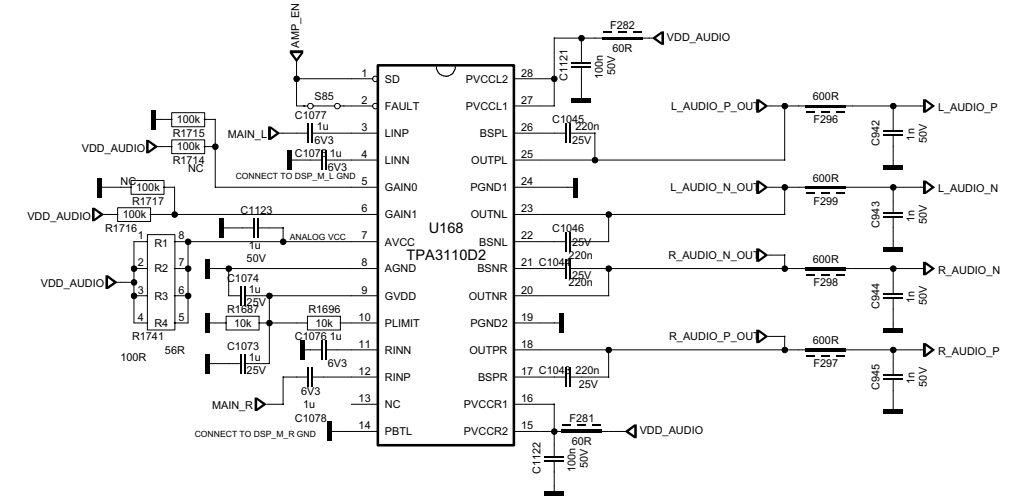
# HEADPHONE OUTPUT

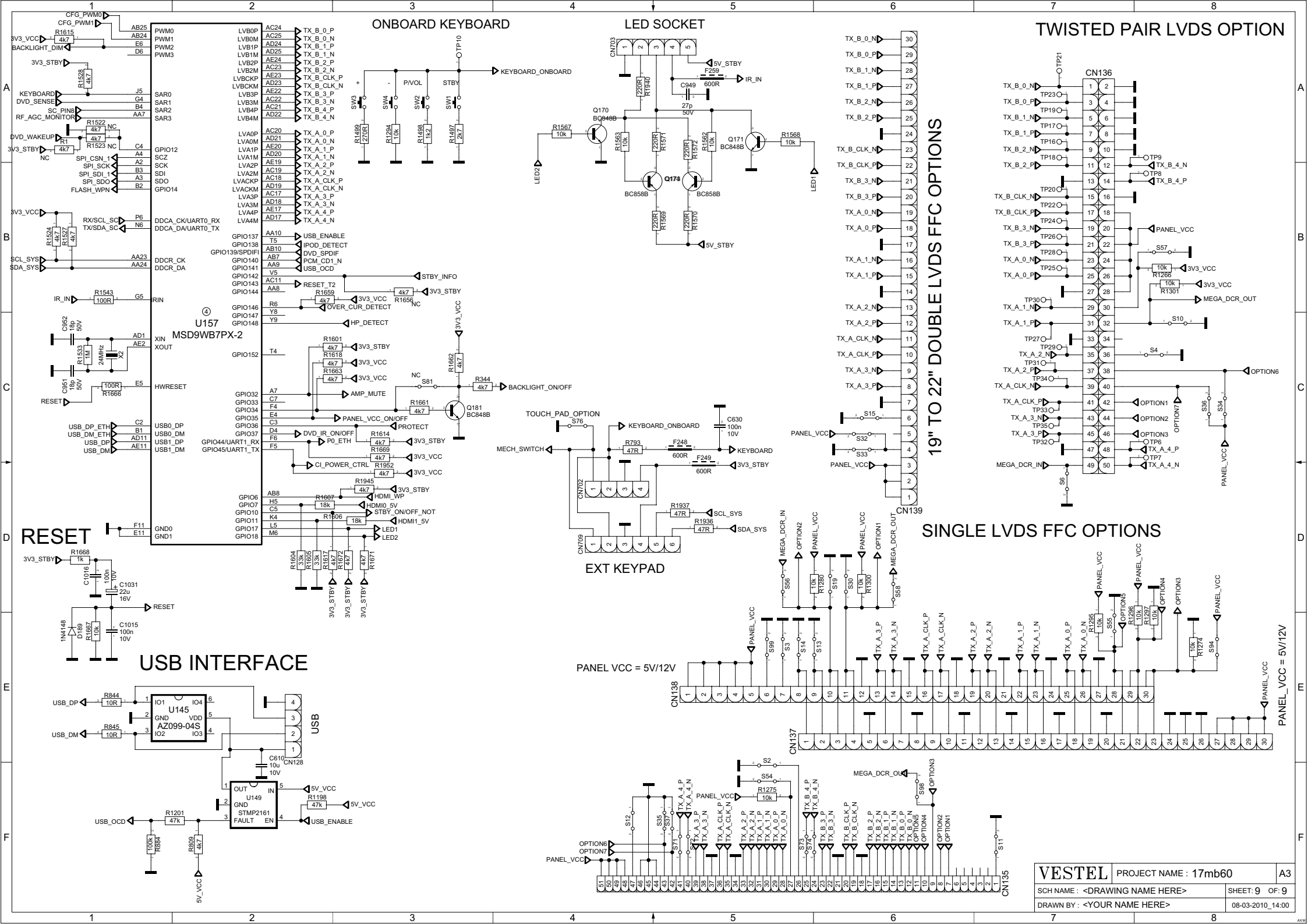


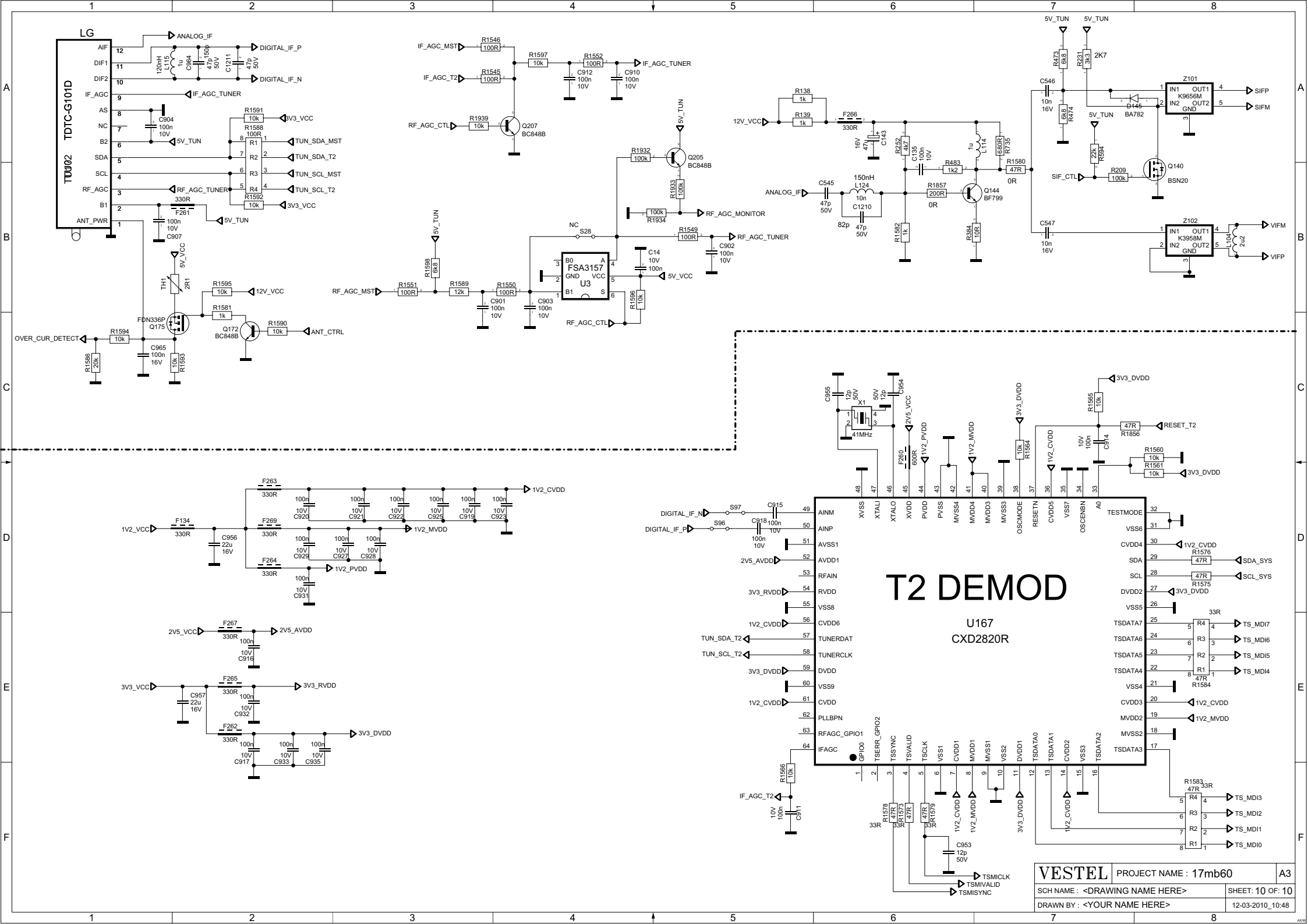
# POP NOISE CIRCUIT



# AUDIO AMP for 26" to 32"



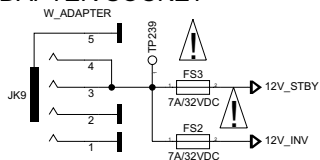




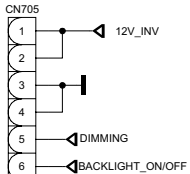
# T2 DEMOD

U167  
CXD2820R

### ADAPTER SOCKET

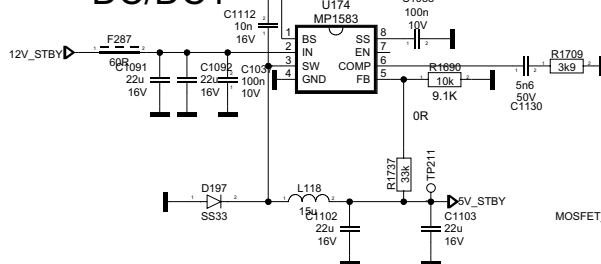


### INVERTER SOCKET W/ADAPTER

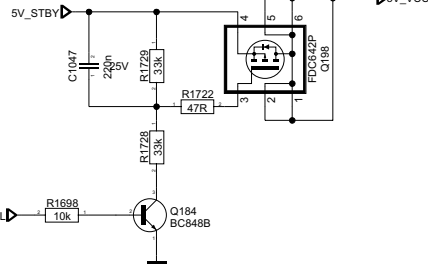


# W/ADAPTOR

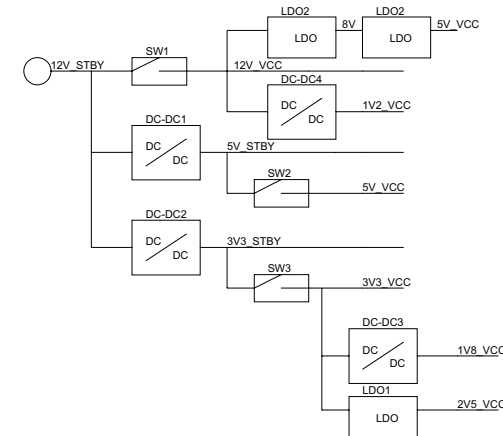
### DC/DC1



### SW2

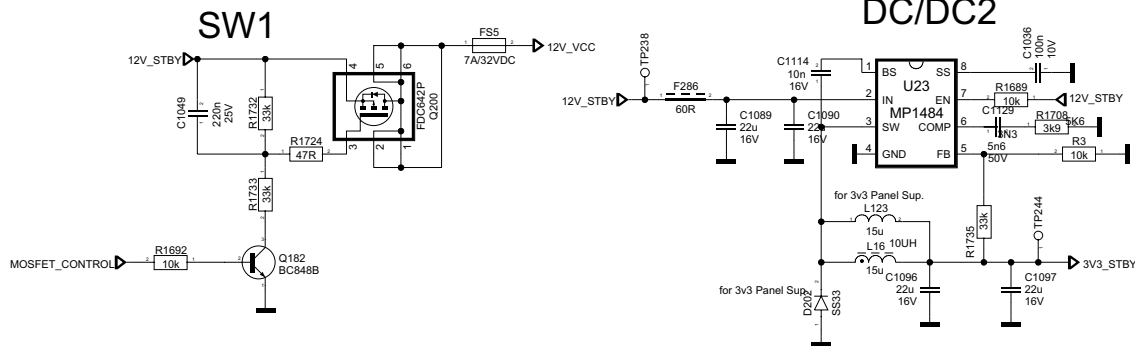


### POWER BLOCK DIAGRAM

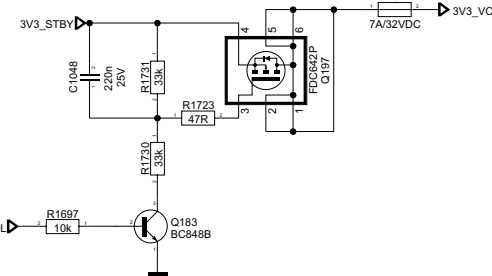


# W/ADAPTOR & W/IPS16&17&60

### DC/DC2

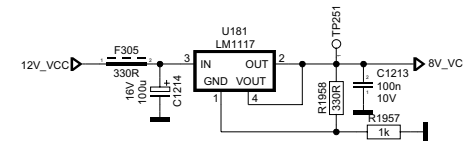
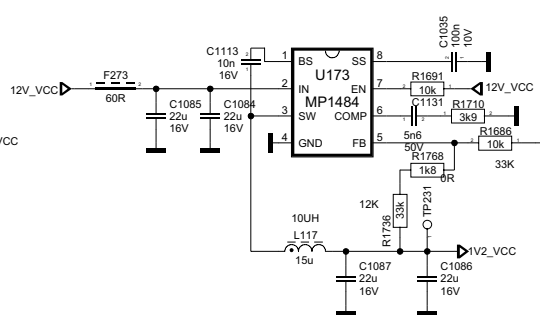


### SW3

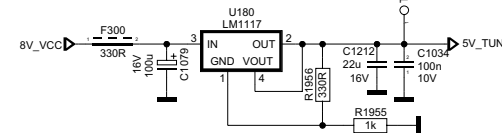


# COMMON

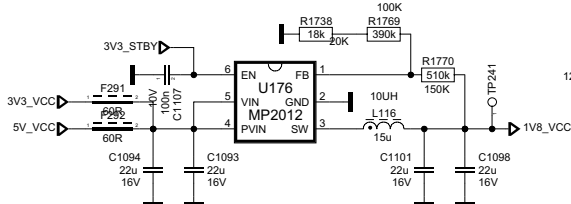
### DC/DC4



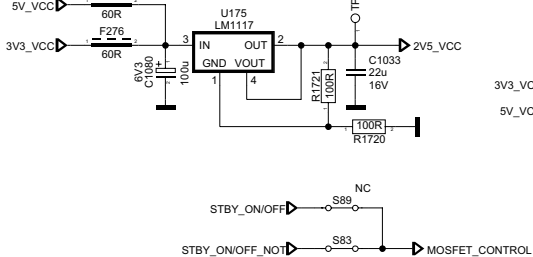
### LDO 2



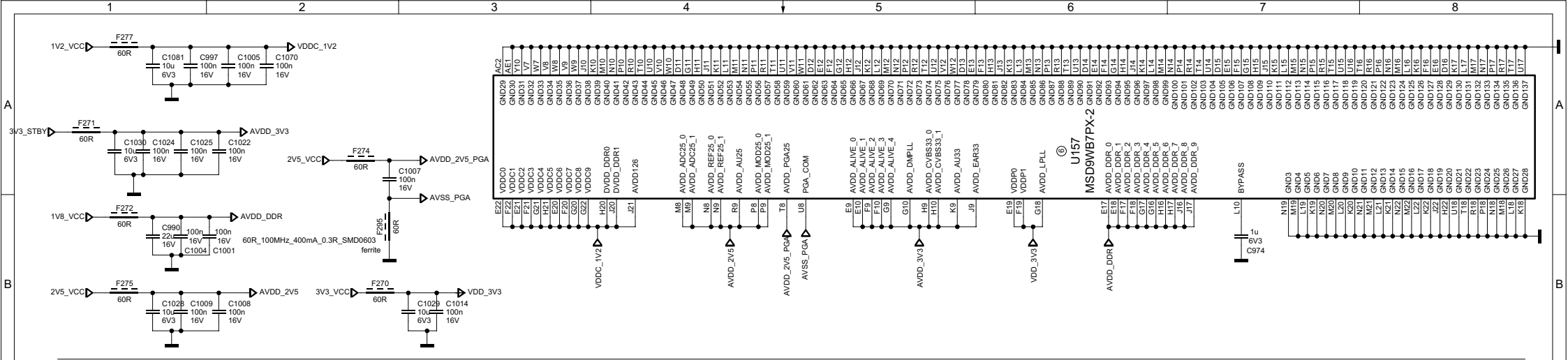
### DC/DC3



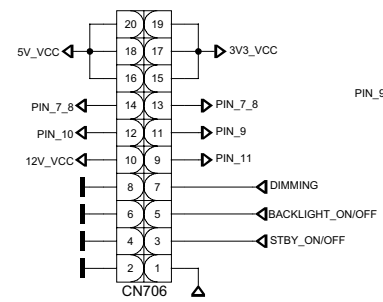
### LDO1



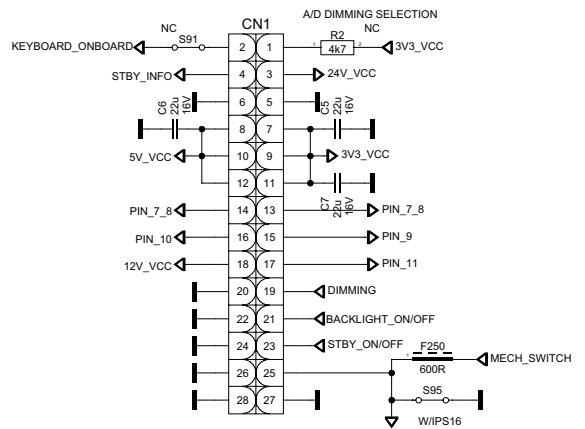




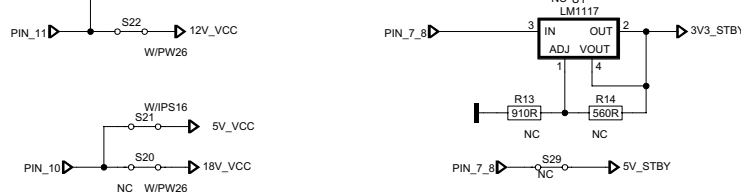
**16" to 24" POWER SOCKET**



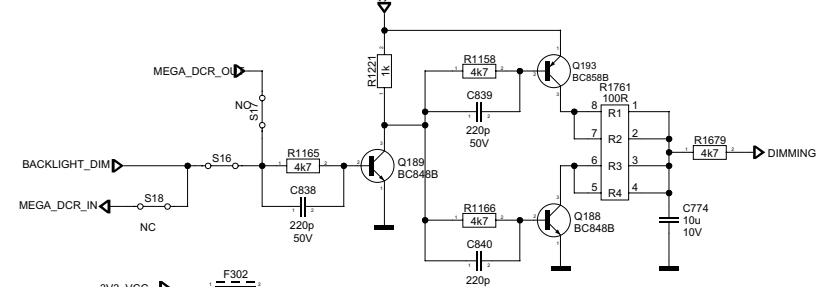
**26" to 32" POWER SOCKET**



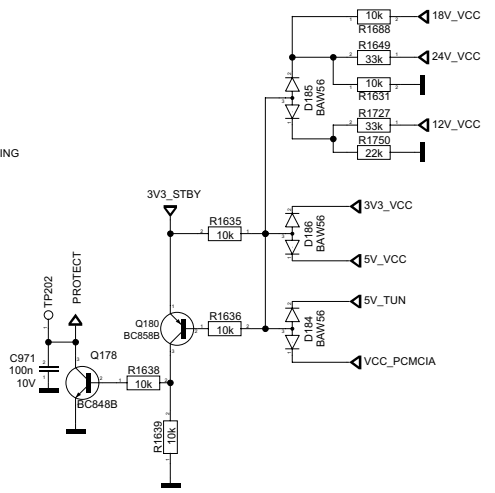
**PW27 LOW POWER Option**



**DIMMING CIRCUIT**



**SHORT CCT PROTECTION**



**PANEL SUPPLY SWITCH**

