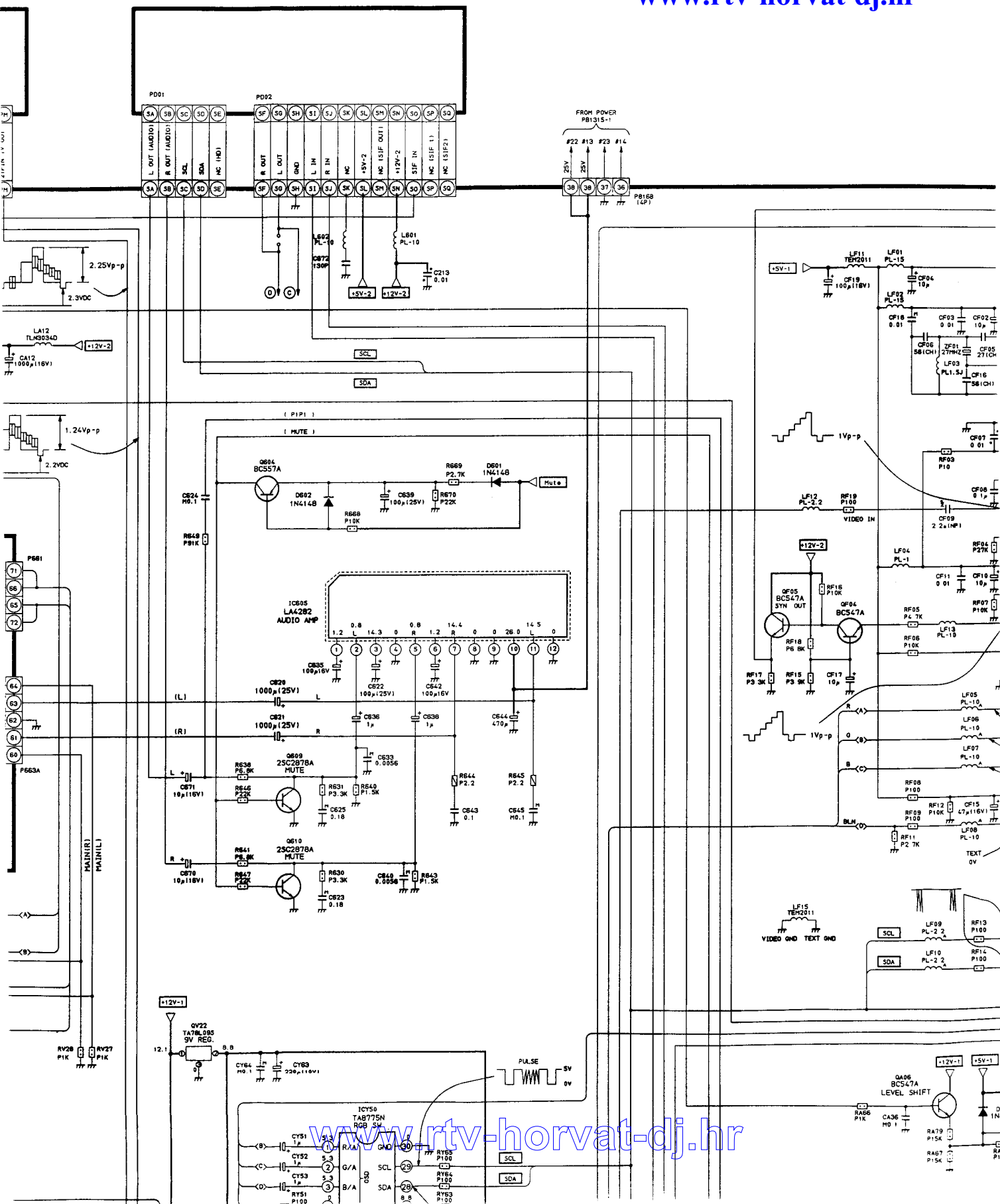
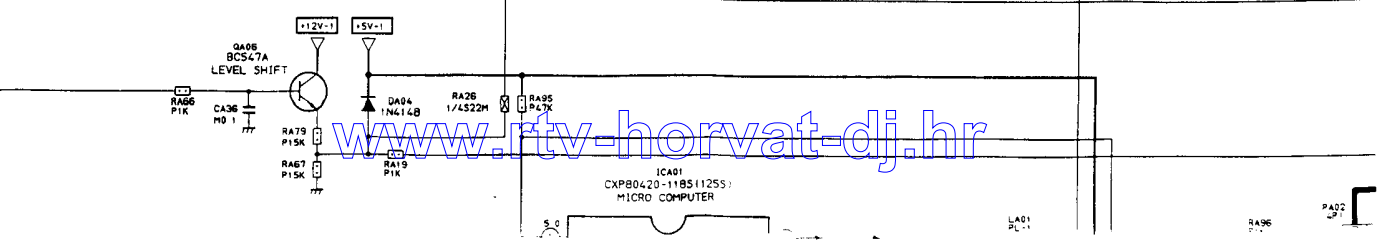
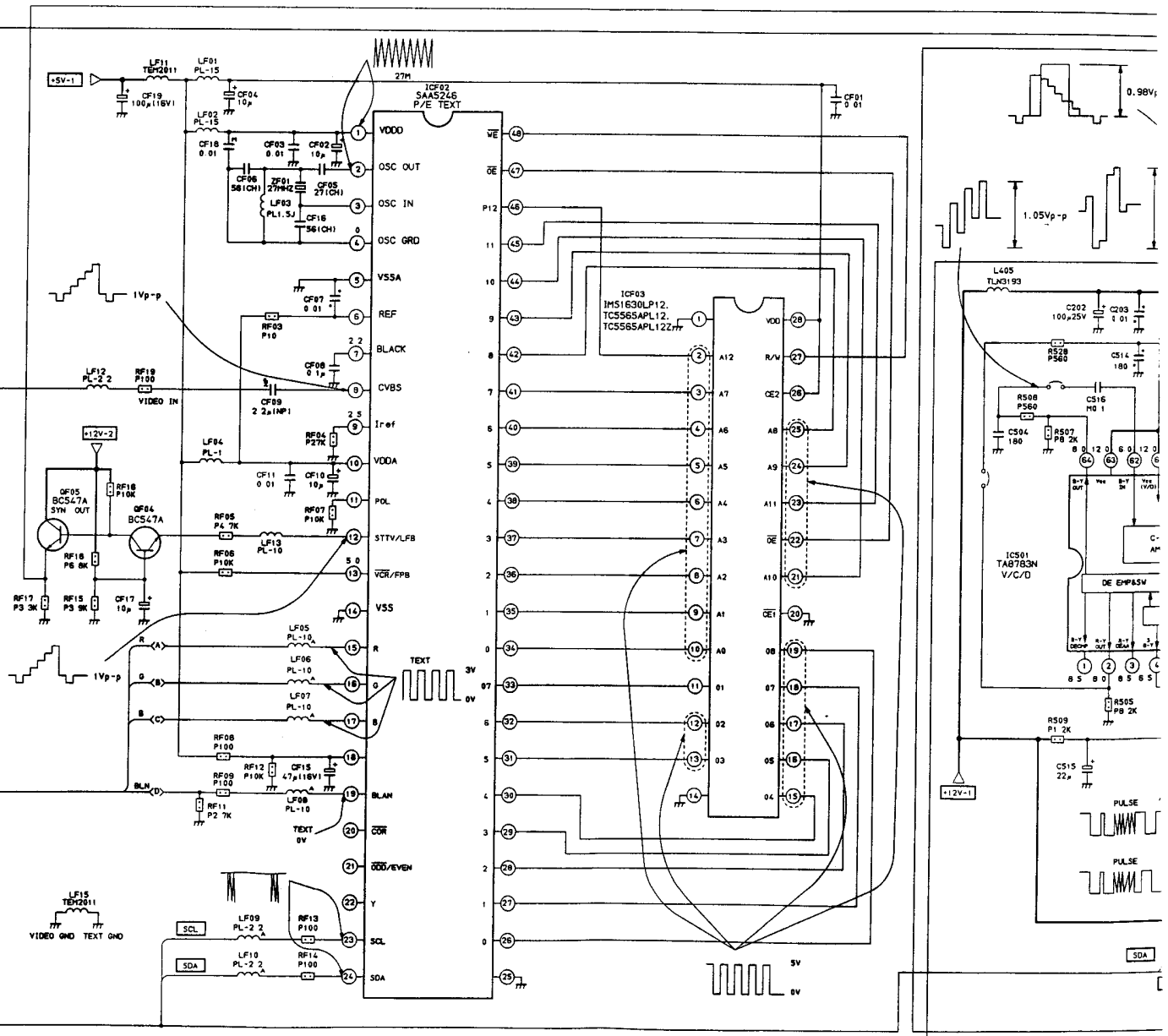


SCHEMATIC DIAGRAM (1/2)

UD01 NICAM BOARD PB1313-2



U902 MAIN BOARD PB1314



www.rtv-horvat-dj.hr

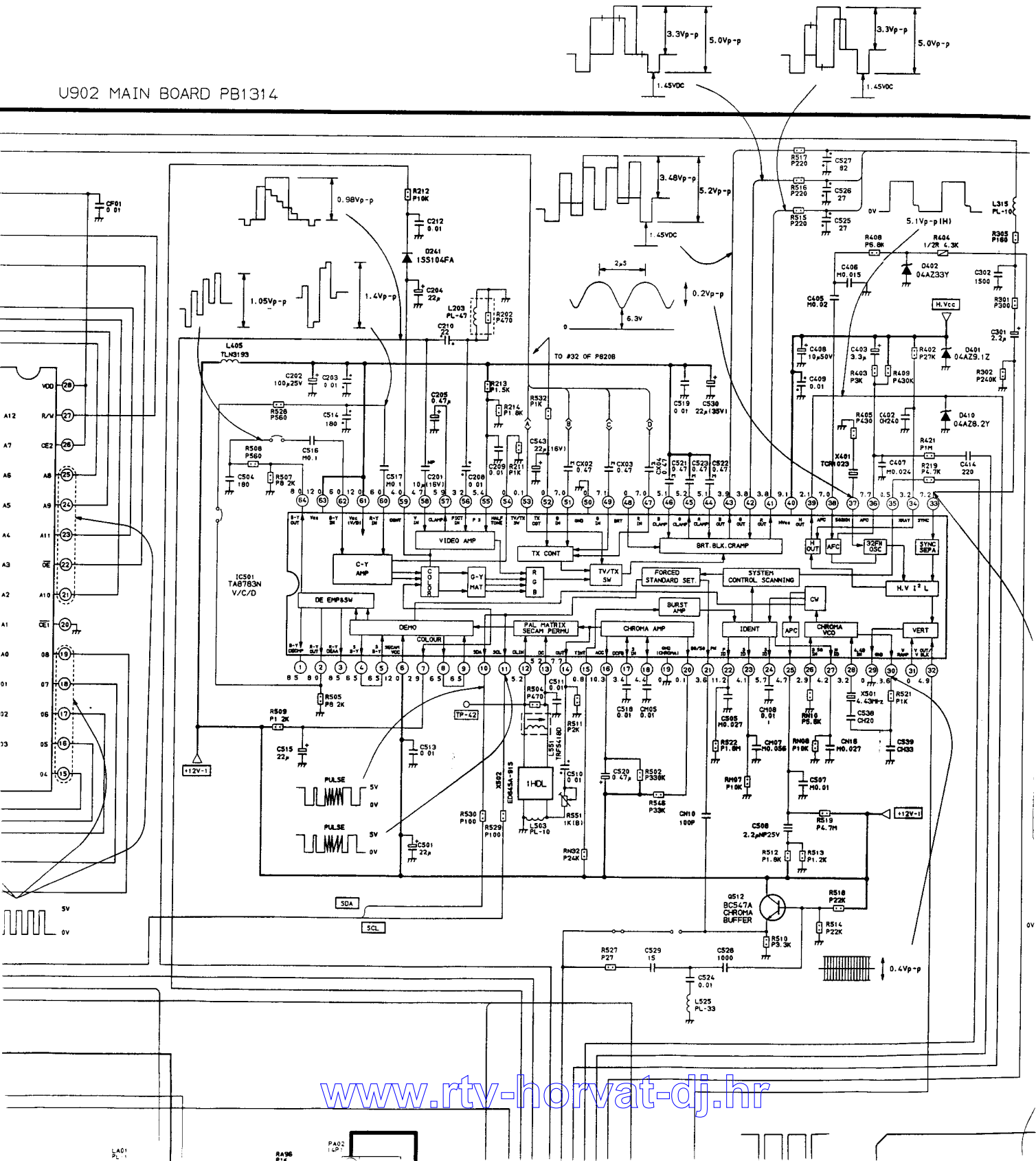
IC901
CXP80420-11851125S
MICRO COMPUTER

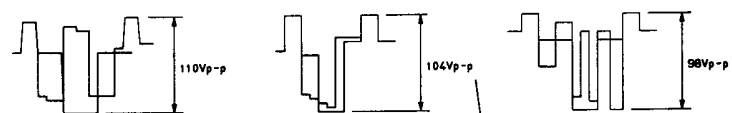
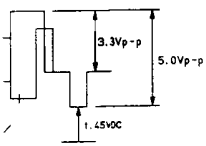
LA01
PL01

RA96

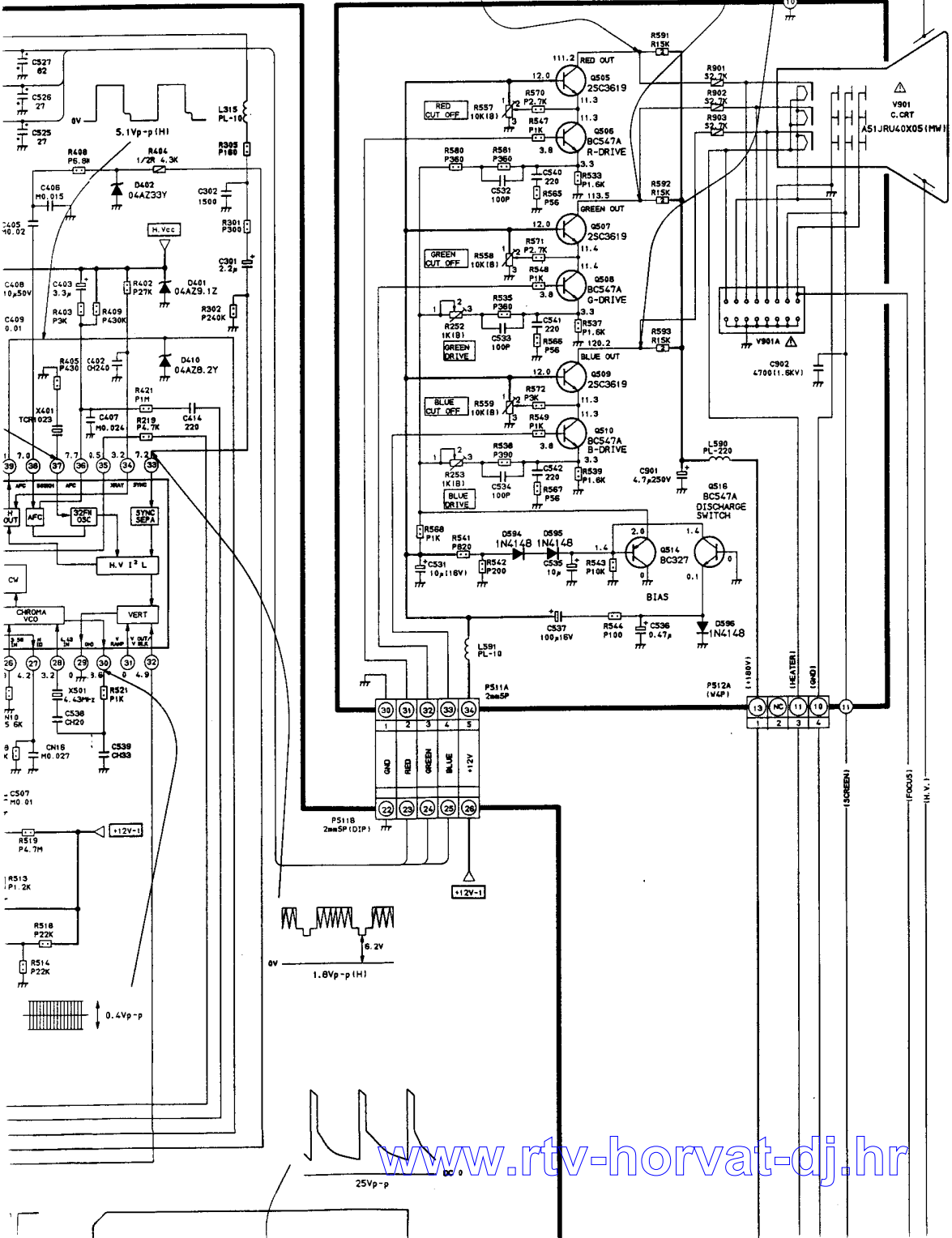
PA02
PL01

U902 MAIN BOARD PB1314





U903B CRT DRIVE BOARD PB1315-2

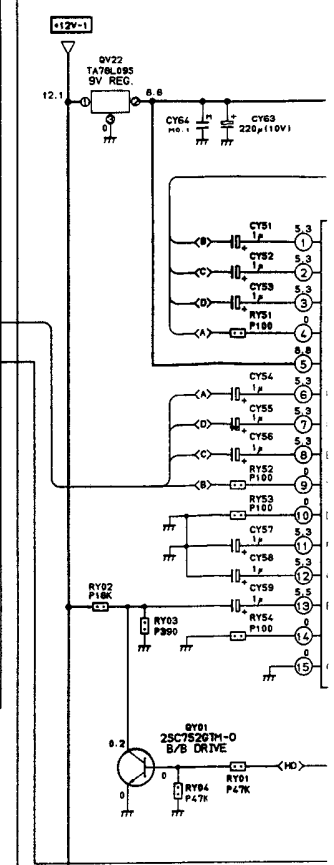
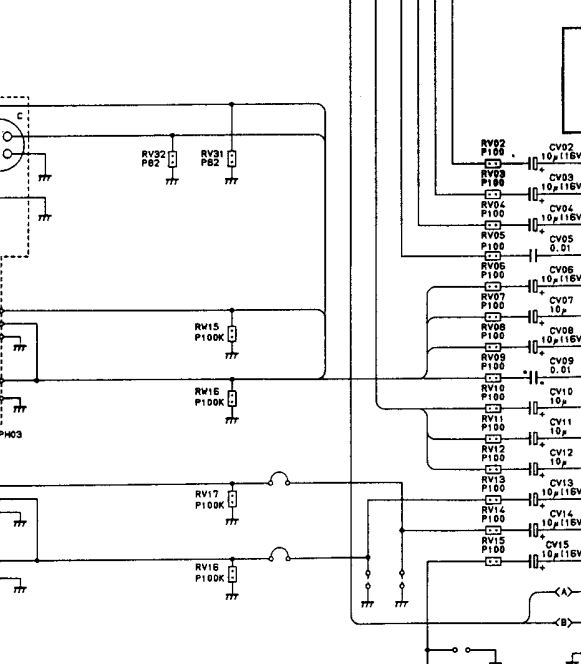
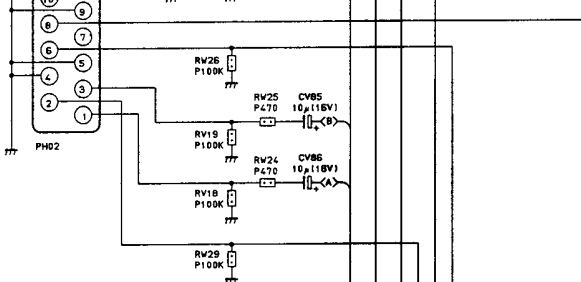
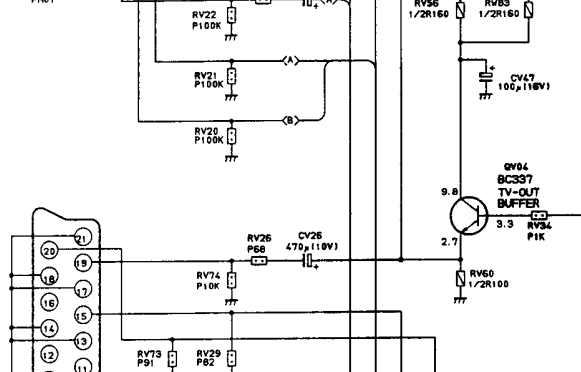
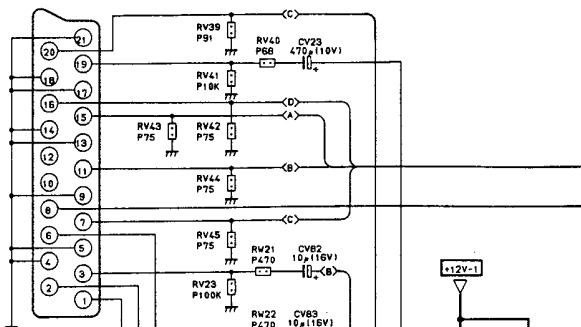
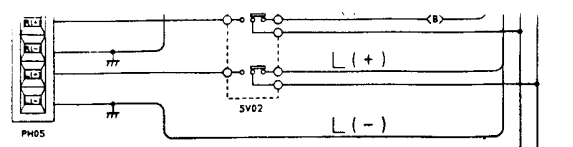


EXT.-1
SPK TERM.

E1

21	SHIELD EARTH
20	VIDEO IN
19	VIDEO OUT
18	RAPID BLK EARTH
17	VIDEO EARTH
16	RAPID BLANKING
15	RED IN
14	RAPID BLK EARTH
13	RED EARTH
12	NC
11	GREEN IN
10	NC
9	GREEN EARTH
8	EXT/TV
7	BLUE IN
6	AUDIO IN (L)
5	EARTH
4	AUDIO EARTH
3	AUDIO OUT (L)
2	AUDIO IN (R)
1	AUDIO OUT (R)

E2



S-VIDEO

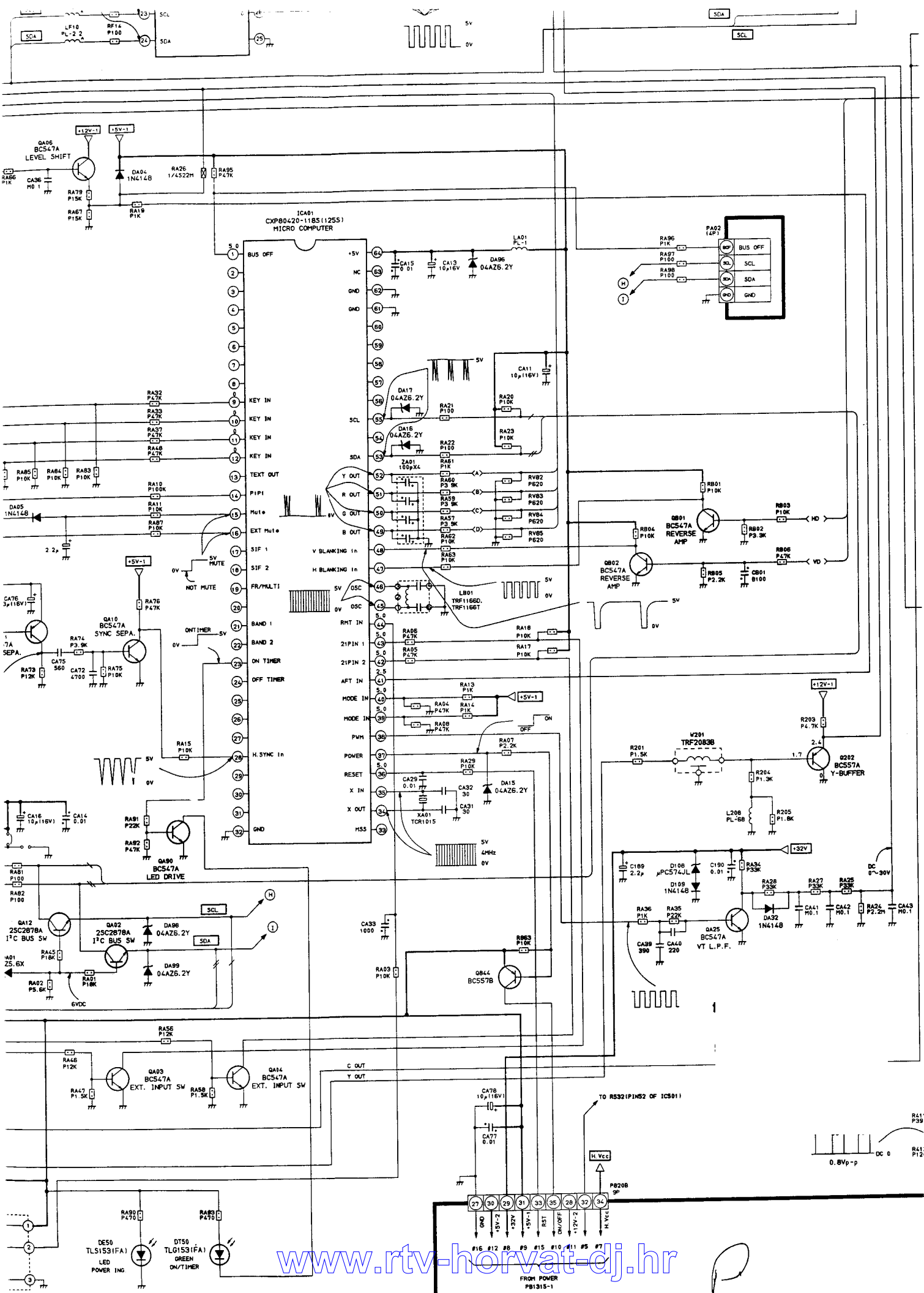
R

L

R

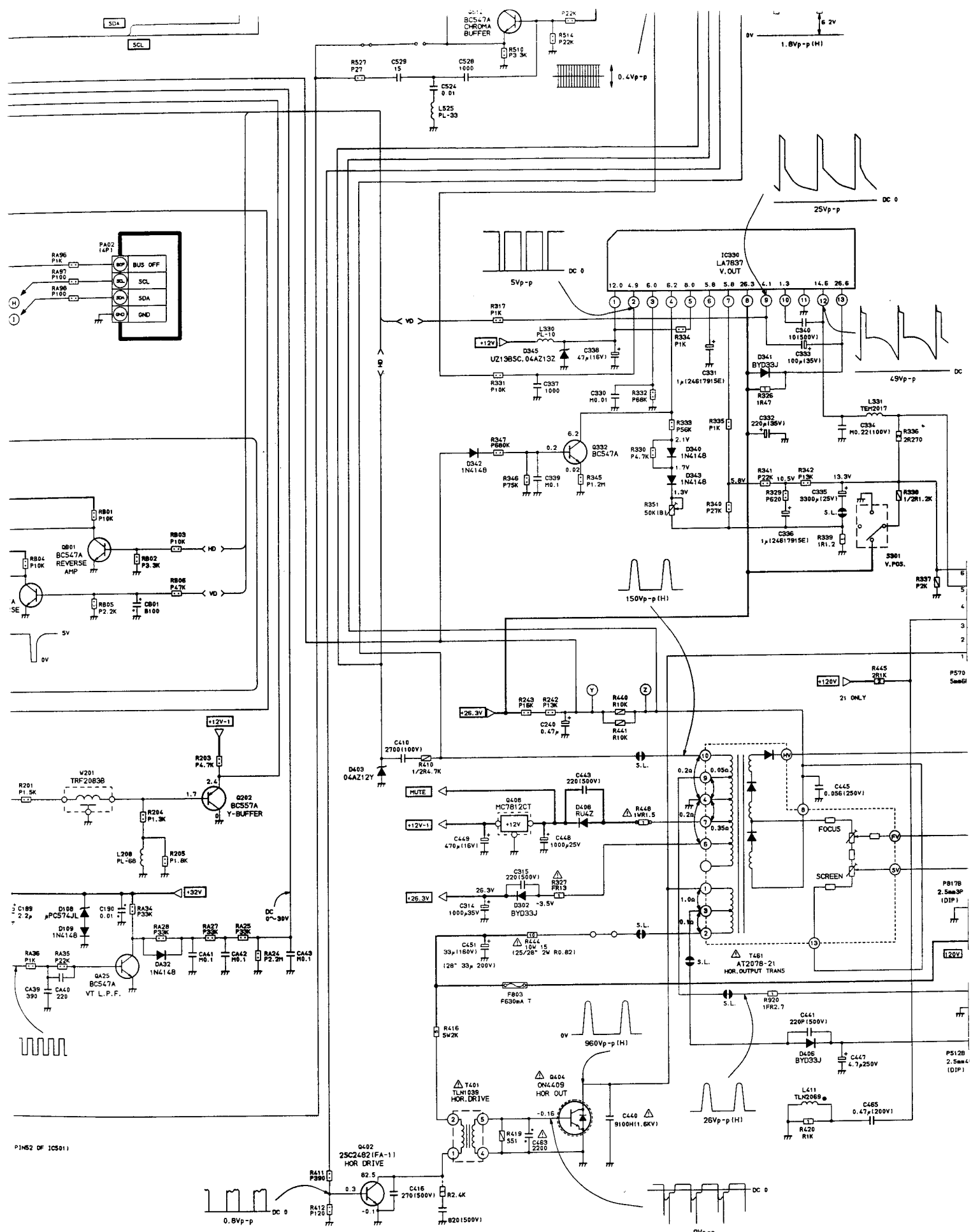
L

FR
VARIABLE
AUDIO OUT



R





RTV servis Horvat

Tel: ++385-31-856-637

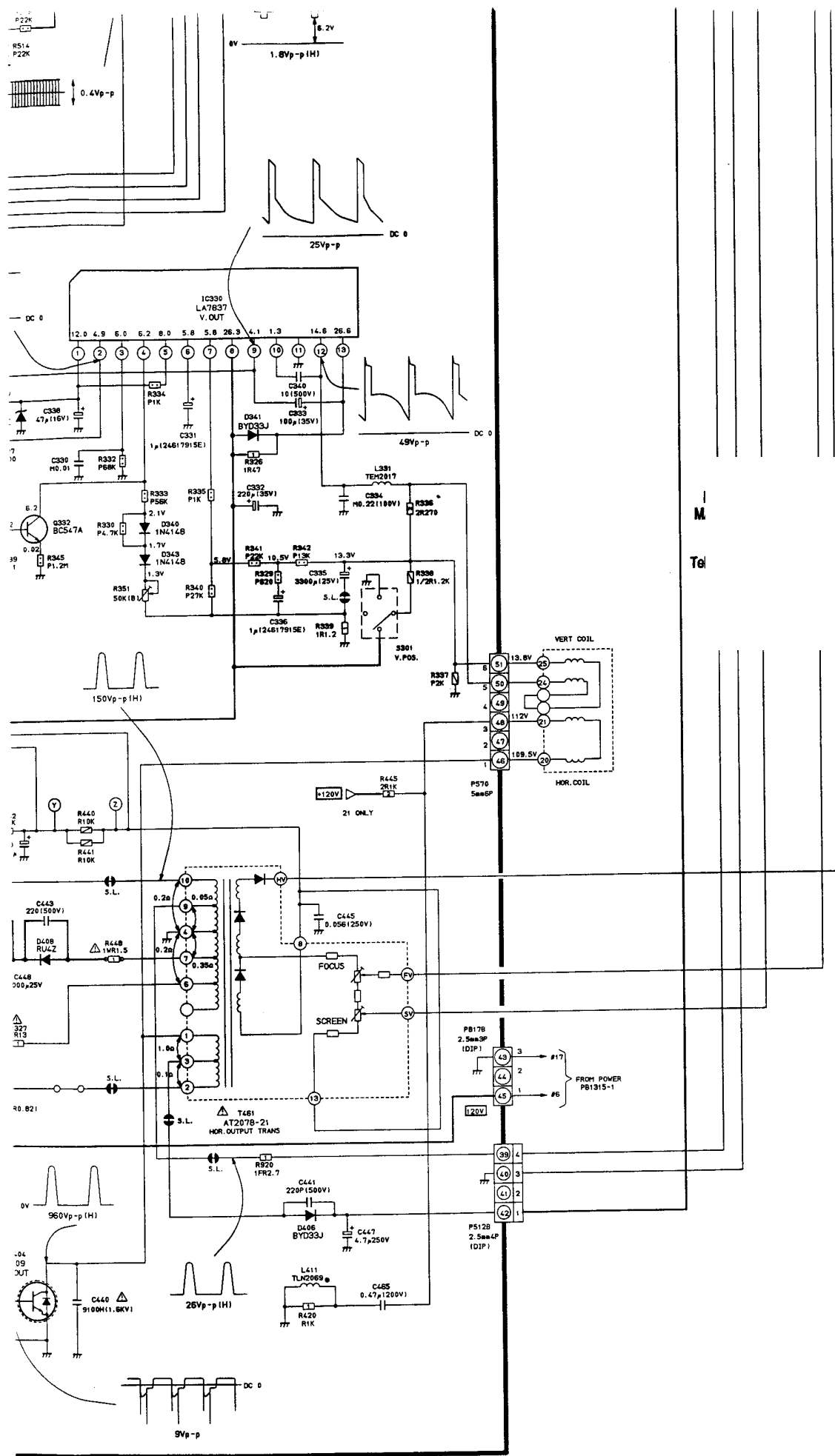
www.rtv-horvat-dj.hr

Tel/fax: ++385-31-856-139

Mob: 098-788-319

www.rtv-horvat-di.hr

P



SAFETY NOTICE

Marked with the International Hazard Symbol must, if changed, be replaced by an original and must be mounted as the original. This will ensure that the safety standards during manufacture will be maintained following any servicing procedure.

MEASUREMENT OF VOLTAGES AND WAVEFORMS

Readings were obtained using a high impedance digital voltmeter. Ground lead of instruments should be connected to the ground marked (⊥) in the schematic. When checking Non-isolated circuit surrounded by mark but should be connected to ground points marked (≡) on checking isolated circuit. Voltage readings may vary as much as ±20%. For tuning, A.F.C., Brightness, Contrast and Colour controls are adjusted for best picture, making sure that the Contrast, Brightness and Colour controls are set to their mid-positions. Waveforms were taken using a standard colour bar signal and were observed using a digital oscilloscope via a low capacity probe.

NOTES:

1. This circuit diagram is subject to change without notice.

EXPRESSION

VALUE OF RESISTOR, CAPACITOR and INDUCTOR

1. Resistance is shown in ohm, k=1,000, M=1,000,000.
2. Unless otherwise noted in schematic, all capacitor values less than 1 are in μF and the values more than 1 in pF.
3. Unless otherwise noted in schematic, all inductor values more than 1 are in μH , and the values less than 1 in H.

GROUNDING SYMBOL

1. ⊥: Non isolated ground, ≡: Isolated ground.

1313-2

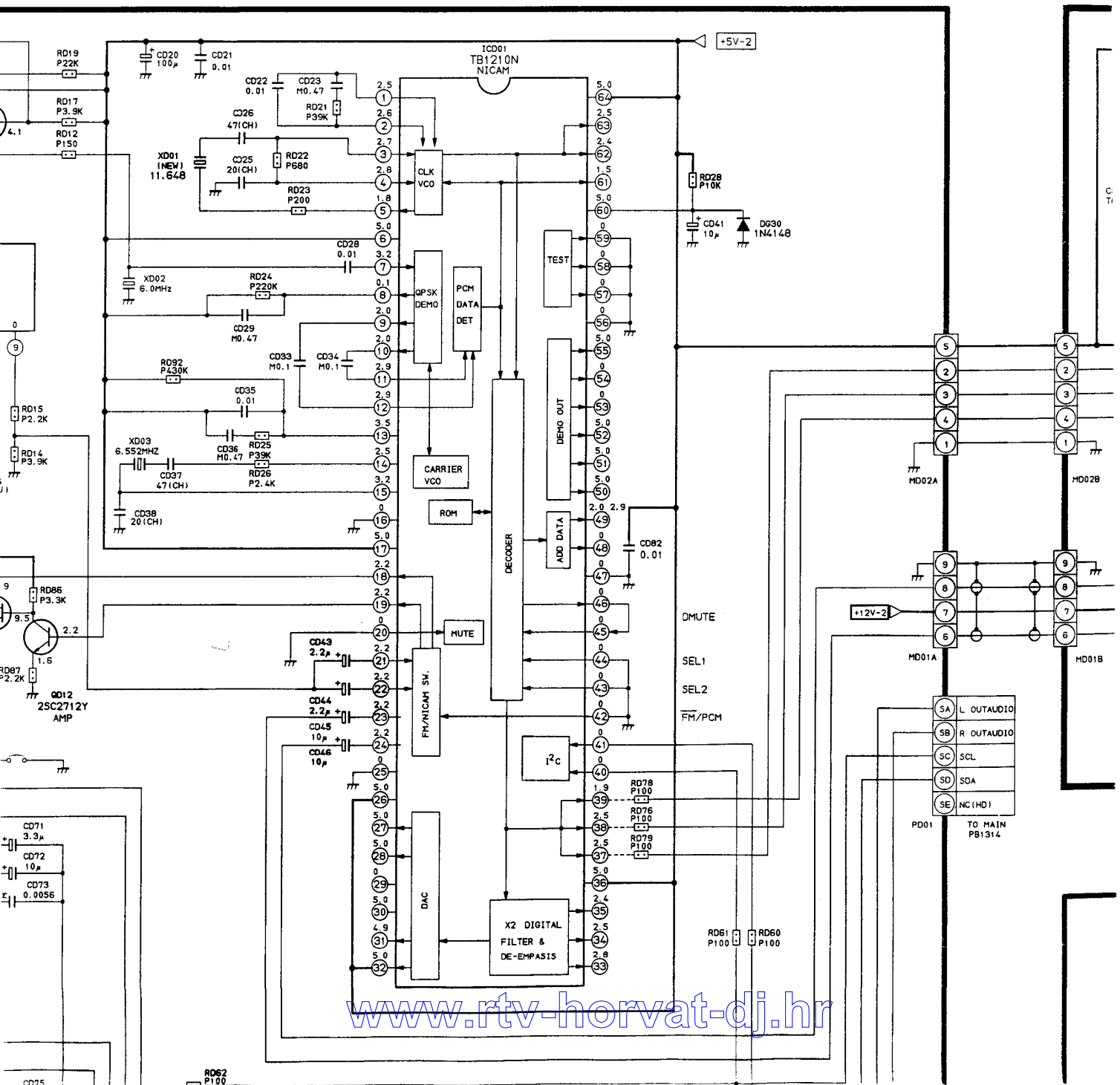


Diagram is subject to change without notice.

RESISTOR, CAPACITOR and INDUCTOR

Shown in ohm, k=1,000, M=1,000,000.

As noted in schematic, all capacitor values less than 1 are expressed in pF, values more than 1 in μ F.

As noted in schematic, all inductor values more than 1 are expressed in H, values less than 1 in mH.

GROUND

Ground, --- : Isolated ground.

RESISTORS

Prefixed to values:

TYPE	MARK
Carbon Comp.	S
Oxide Metal Film	R
Ins. Carbon Film	P
Wire Wound	W
Cement covered W.W.	NO MARK
Fusible Res.	FR

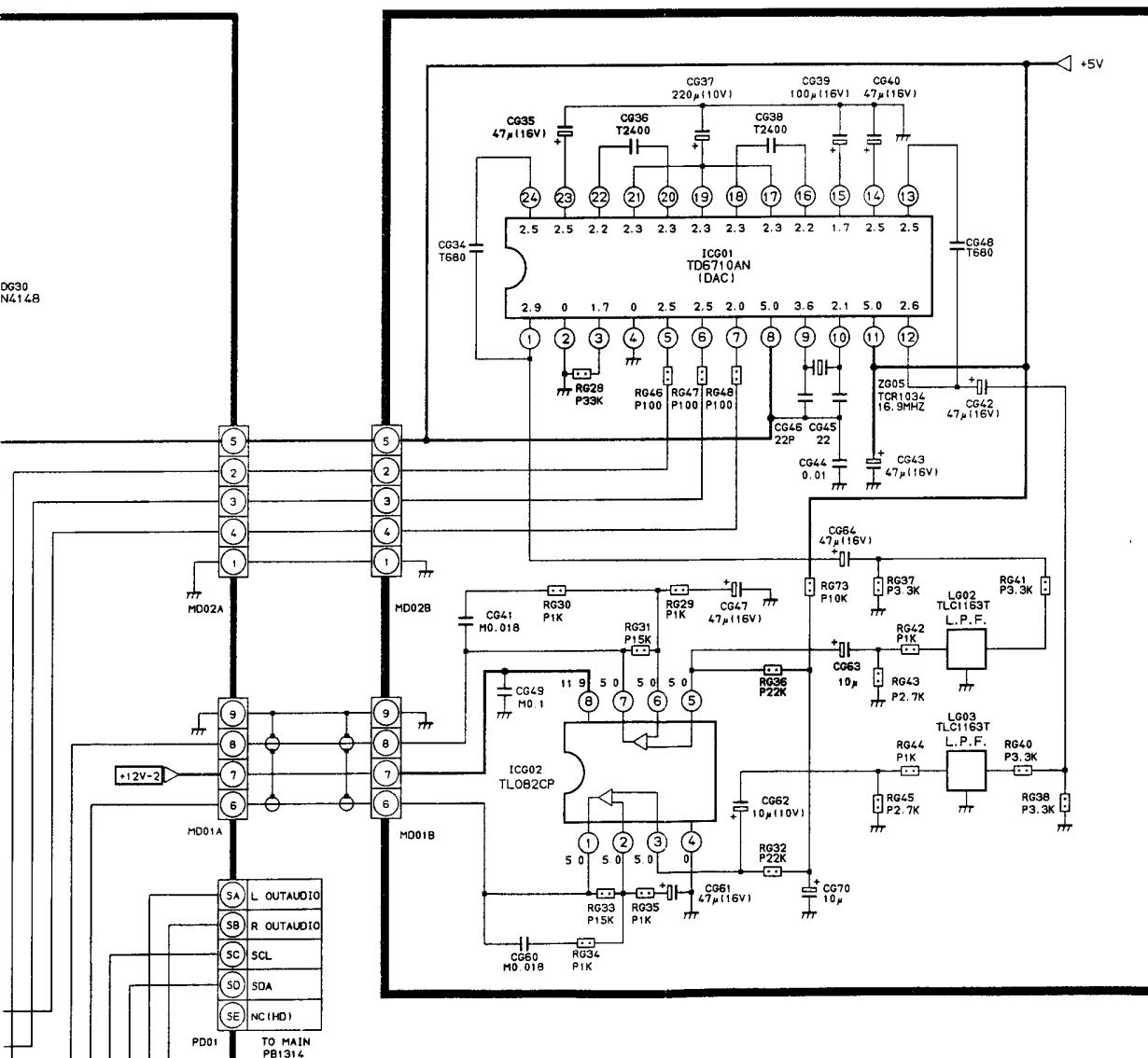
Suffixes to values:

TOLERANCE
$\pm 1\%$
$\pm 2\%$

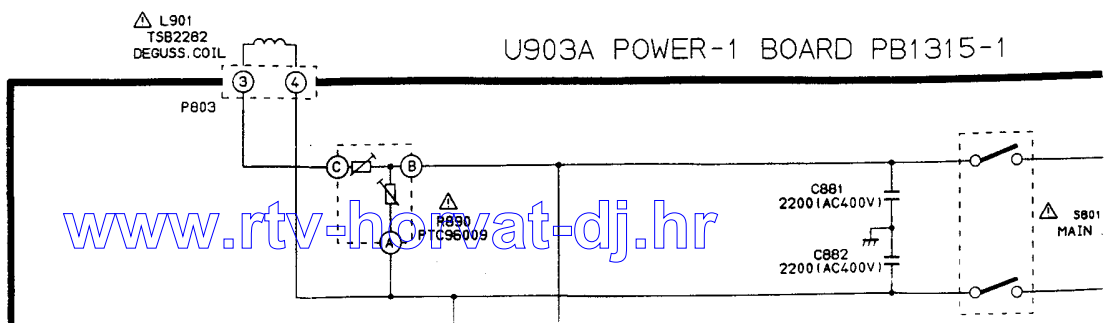
Suffixes to VR values:

LAW
Linear
'C' Curve Characteristic

UG01 NICAM SUB BOARD PB 1313-3



U903A POWER-1 BOARD PB1315-1



MARK
S
R
P
W
NO MARK
FR

Suffixes to values:

TOLERANCE	MARK
$\pm 1\%$	(F)
$\pm 2\%$	(G)

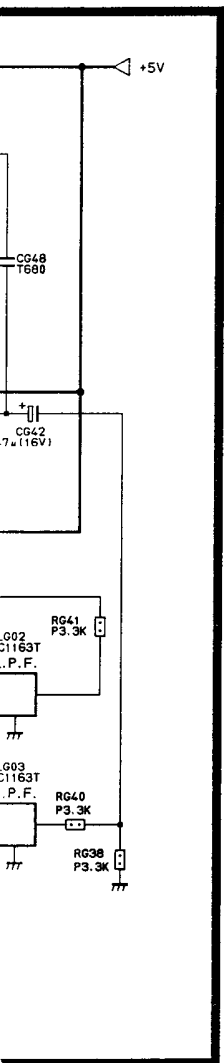
Suffixes to VR values:

LAW	MARK
Linear	(B)
'C' Curve Characteristic	(C)

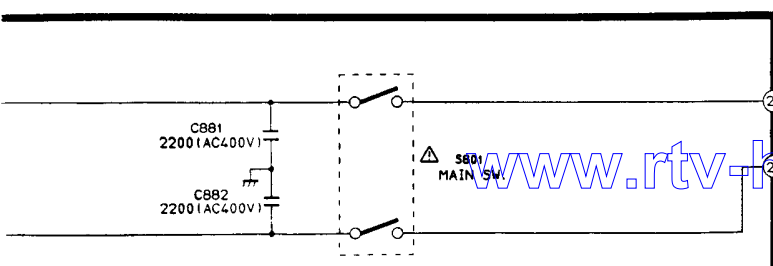
Rating Markings:

WATTAGE	MARK
1/6W	
1/4W	
1/2W	
1W	
2W	

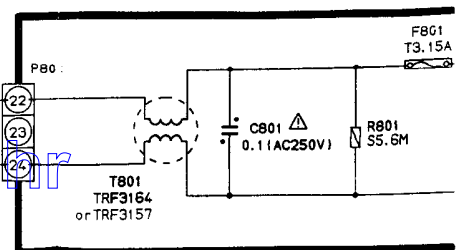
WATTAGE	MARK
3W	
5W	
10W	
15W	
20W	
25W	



POWER-1 BOARD PB1315-1



U903C POWER-2 BOARD PB13



MARK

WATTAGE	MARK
3W	
5W	
10W	
15W	
20W	
25W	

CAPACITORS

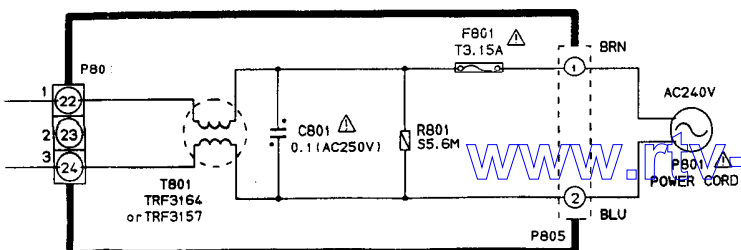
Rating Markings:

Type	Mark
Ceramic Disc 50V Only	
Electrolytic	
Electrolytic Non-Polar	
Variable Capacitor	
Other	

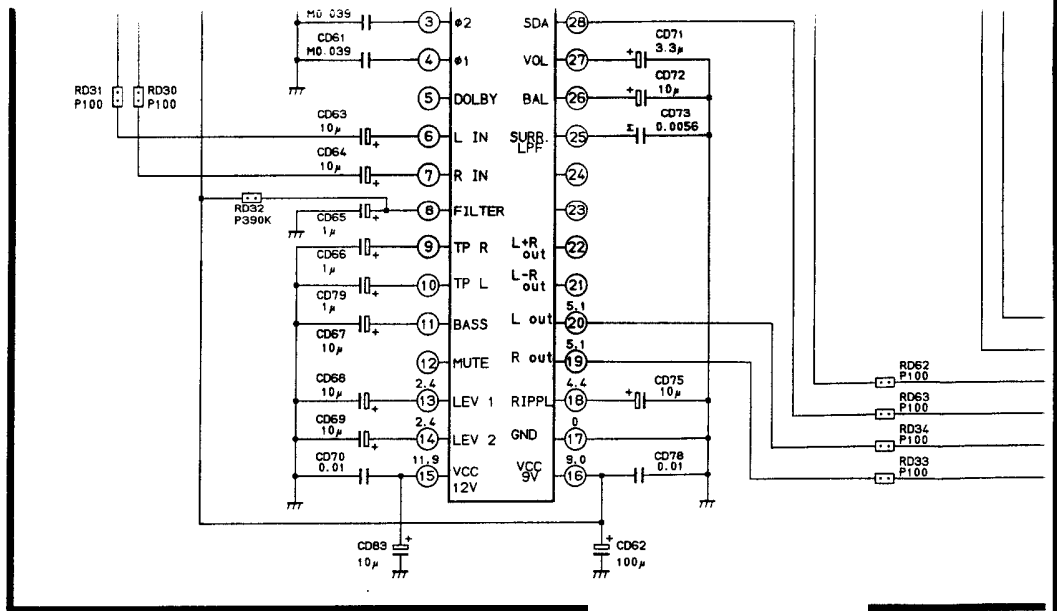
3

4

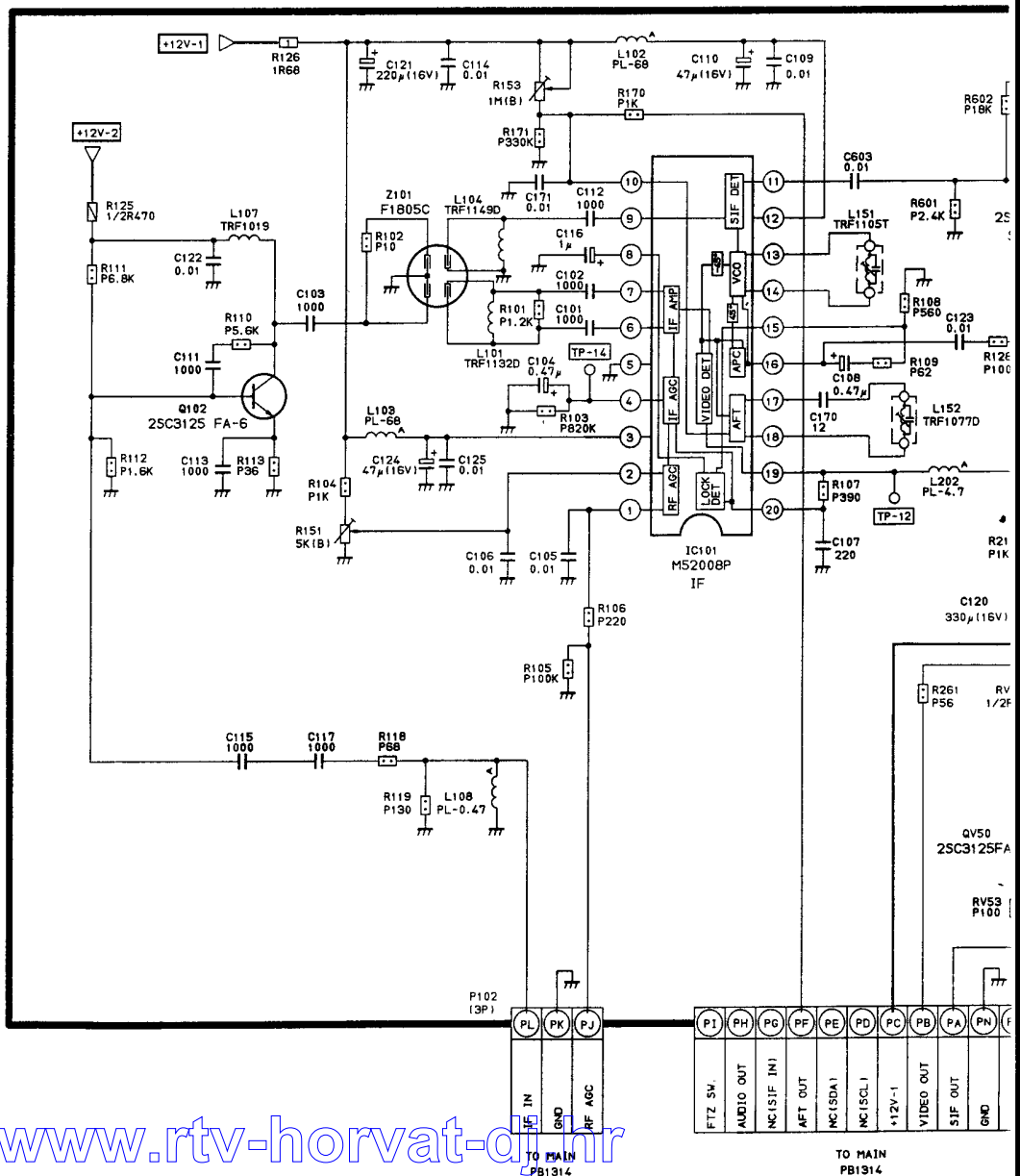
U903C POWER-2 BOARD PB1315-3



www.nv-horvat-dj.hr



U101 PIF BOARD PB 1313-1

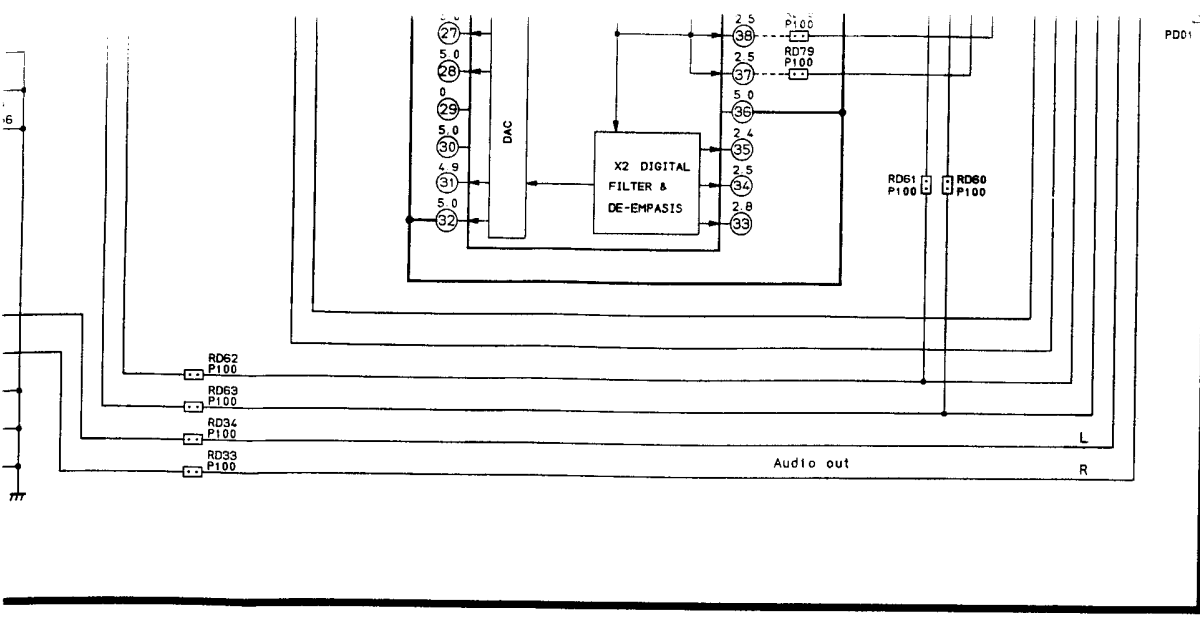


www.rtv-horvat-d.hr

068

14387

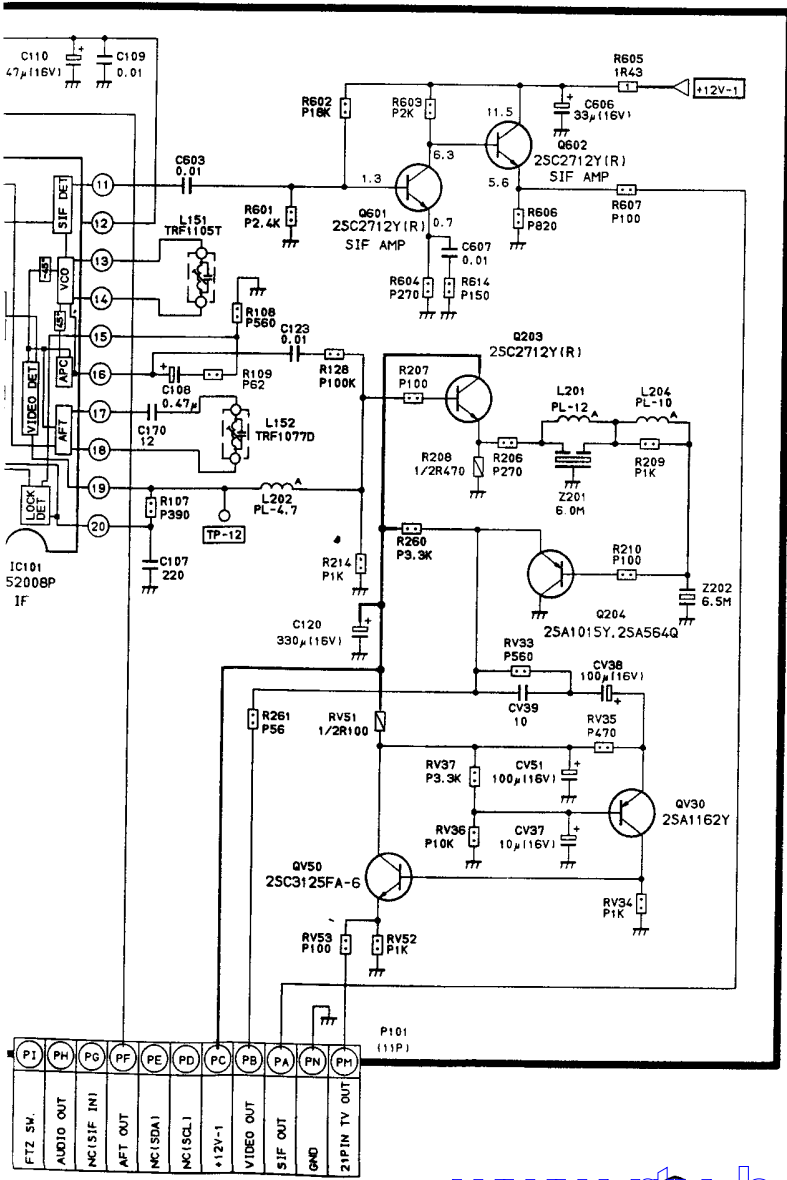
TO MAIN
PB1314



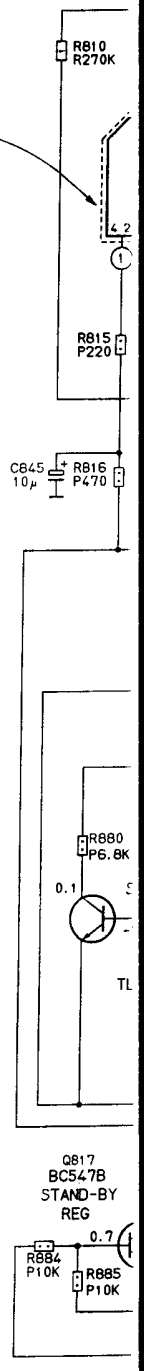
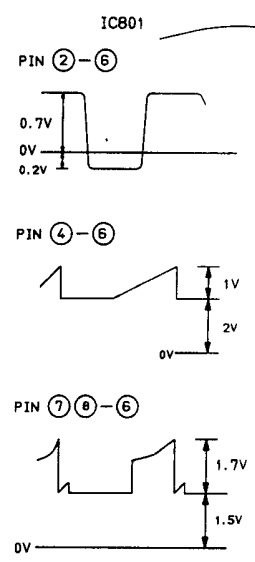
R

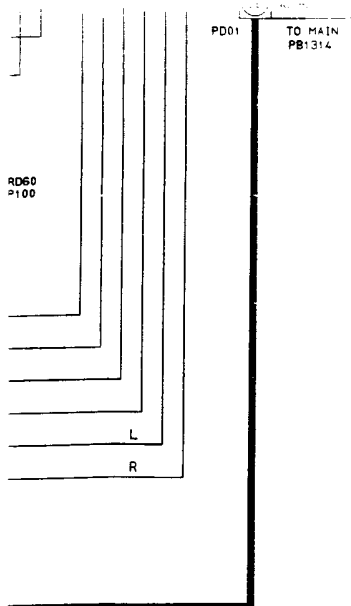
C803
4700 (AC250V)

C804
4700 (AC250V)

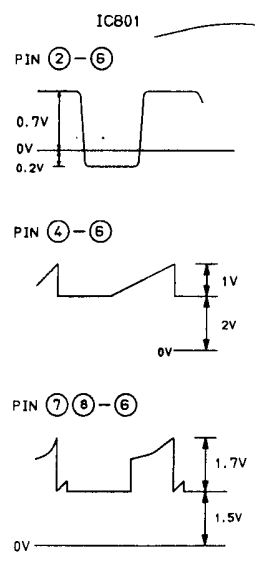
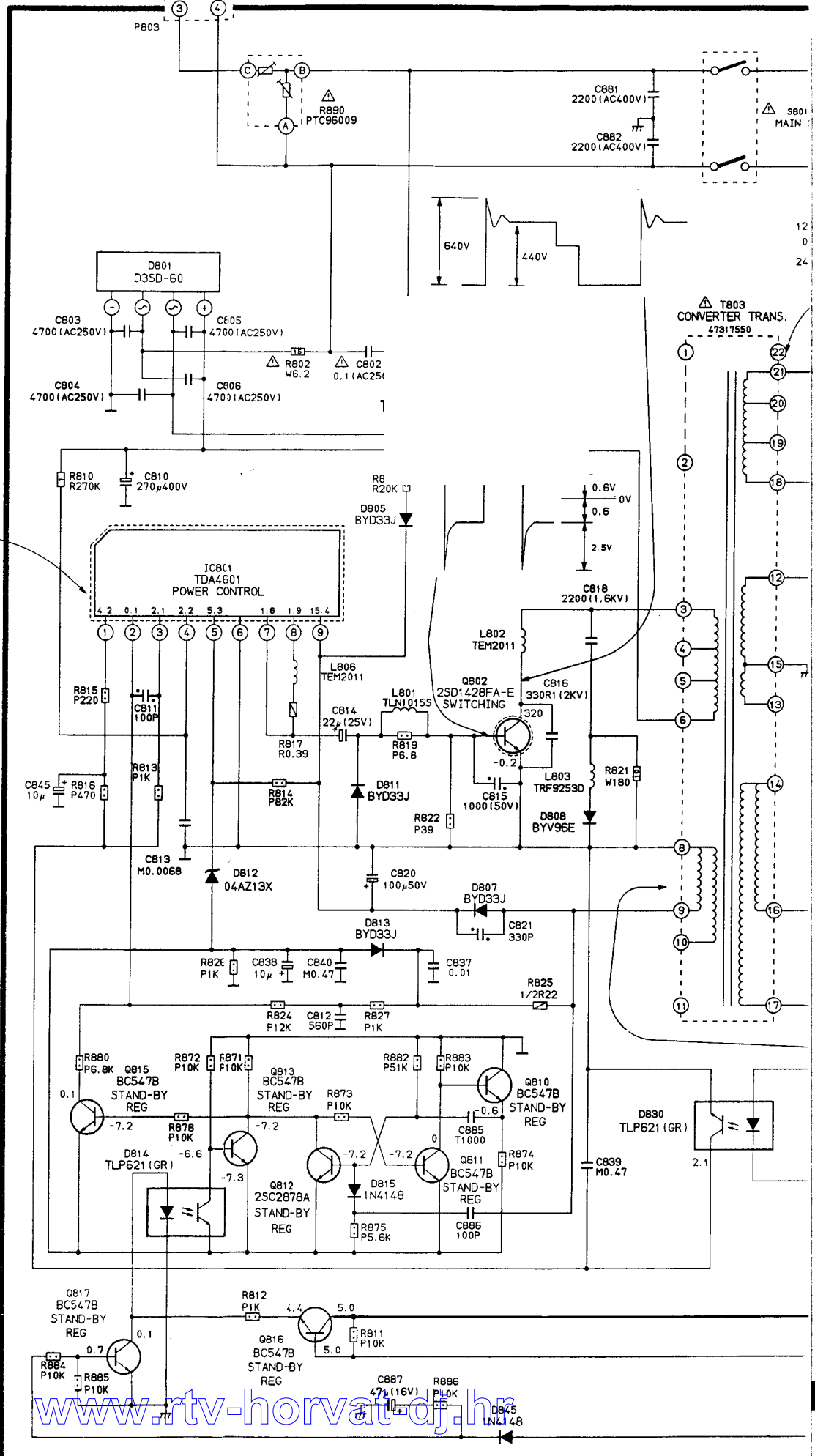


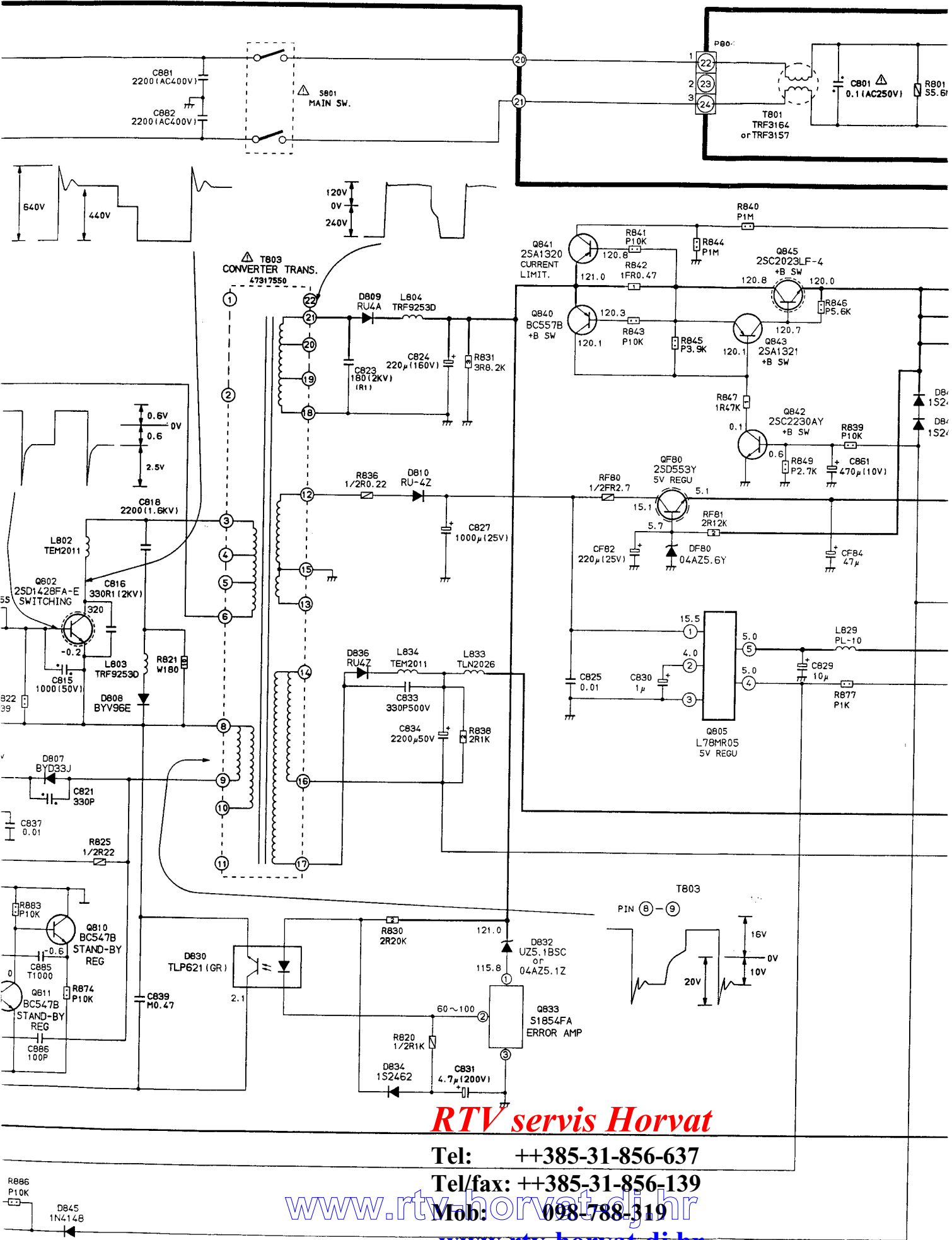
TO MAIN
PB1314





U903A POWER-1 BOARD PB1315-1





RTV servis Horvat

Tel: ++385-31-856-637

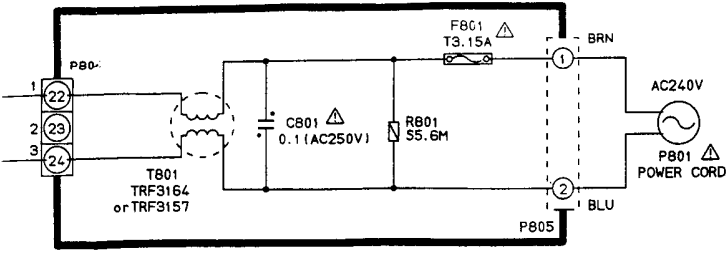
Tel/fax: ++385-31-856-139

Mob: 098-788-319

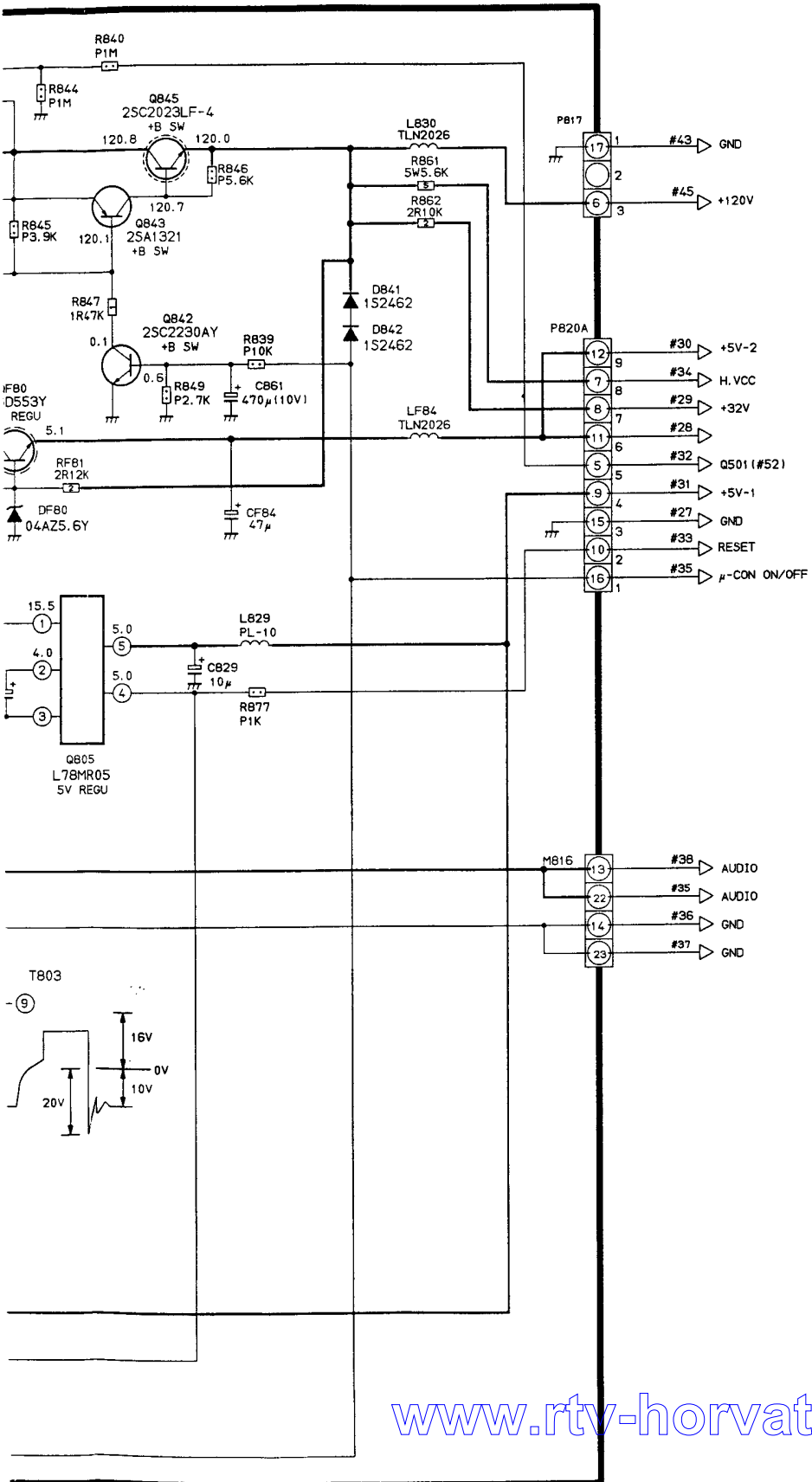
www.rtv-horvat-dj.hr

www.rtv-horvat-dj.hr

U903C POWER-2 BOARD PB1315-3



N
Te



FROM MAIN
PB1314