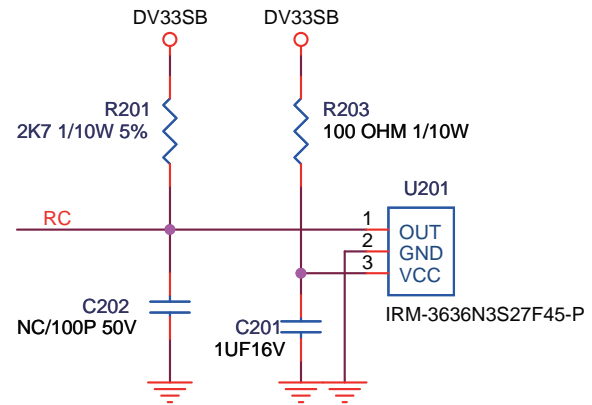
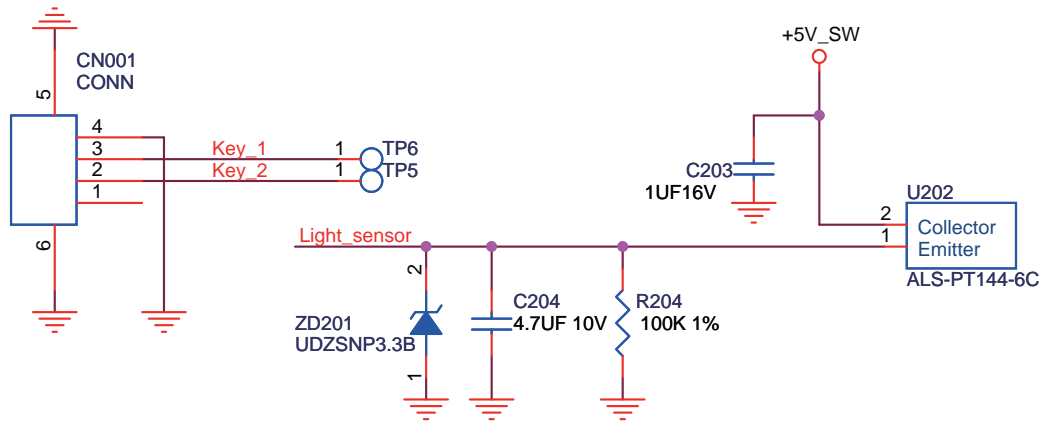
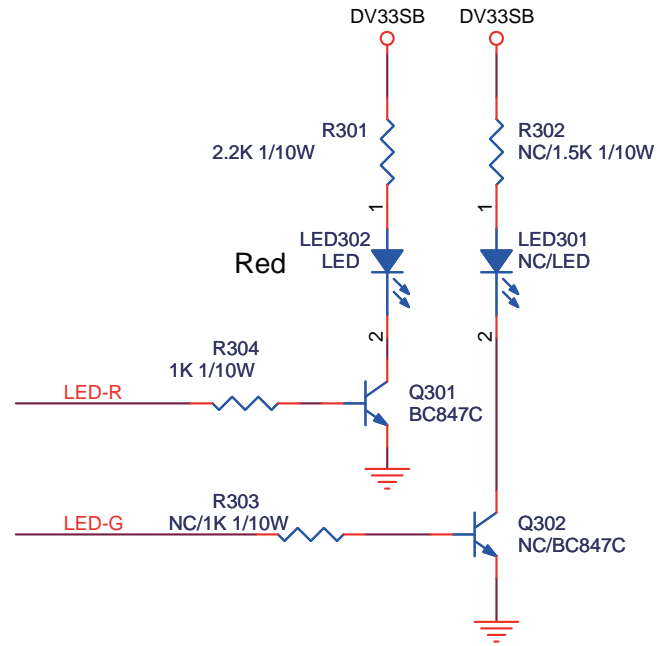
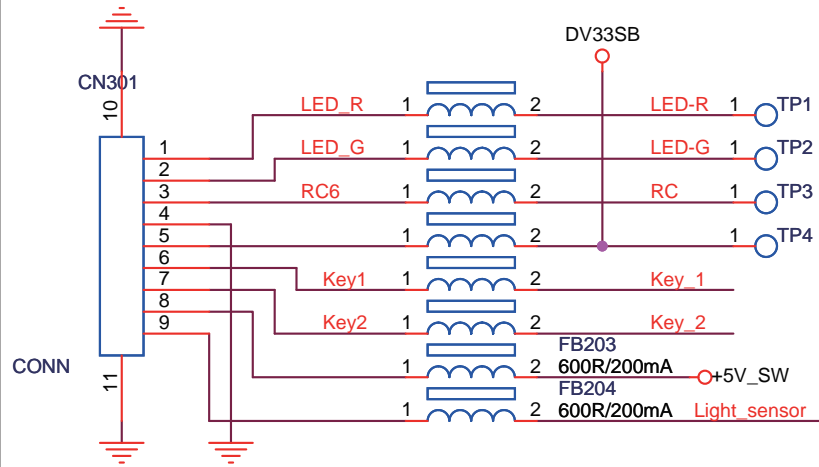


10.10 J 715G4702 IR Thriller
10-10-1 IR/LED board

J

IR/LED board

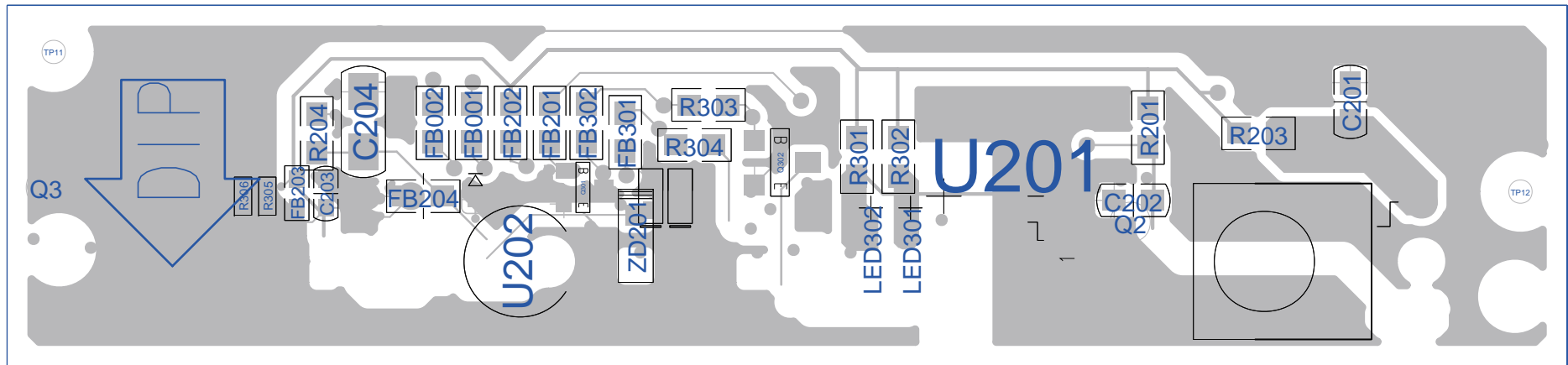
J



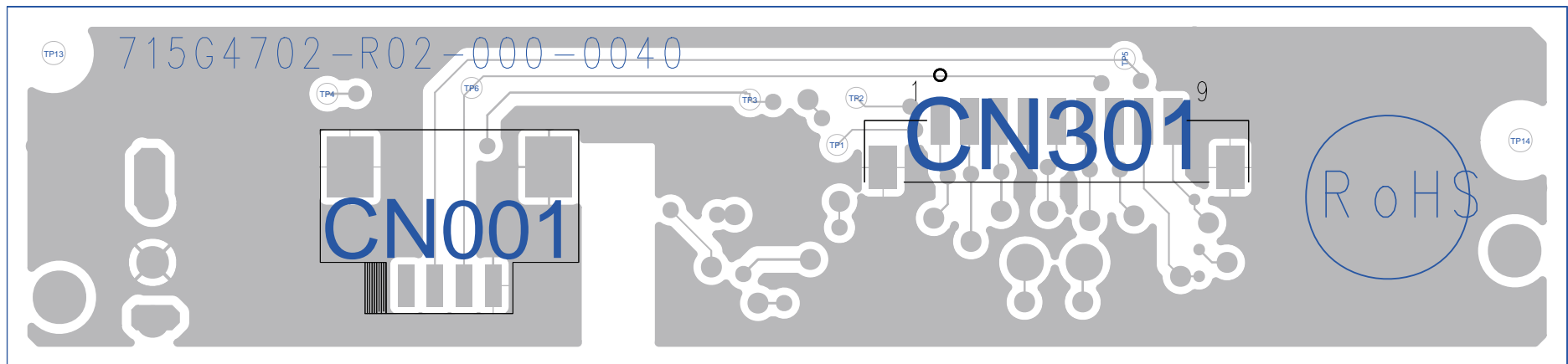
IR/LED board	715G4702	

10-10-2 IR/LED board layout

Layout IR/LED Board (Top Side)



Layout IR/LED Board (Bottom Side)



IR/LED board layout top/bottom	715G4702	