

SERVICE MANUAL

NEX CHASSIS

MODEL

DEST

KDL-19L4000

WE / OIRT / UK

KDL-26L4000

WE / OIRT / UK



RM-ED014

FLAT PANEL COLOR TV

SONY®

TABLE OF CONTENTS

<i>Section</i>	<i>Title</i>	<i>Page</i>	<i>Section</i>	<i>Title</i>	<i>Page</i>
1. GENERAL		3	4. DIAGRAMS		
	Caution	3	4-1.	Block Diagram 1 (19 inches)	13
	Specifications	4		Block Diagram 2 (26 inches)	14
	Connectors	5	4-2.	Circuit Board Location	15
	Self Diagnosis	7	4-3.	Schematic Diagrams and Printed Wiring Boards	15
2. DISASSEMBLY				B Board Schematic Diagram	16
2-1.	Stand & Rear Cover Removal (19 inches)	8		G1D Board Schematic Diagram (26 inches)	30
2-2.	Rear Cover Removal (26 inches)	8		G Board Schematic Diagram (19 inches)	31
2-3.	Stand Removal (26 inches)	8		H1 Board Schematic Diagram	31
2-4.	Loudspeaker Removal	8		H5 Board Schematic Diagram	31
2-5.	Switch Unit Sub Assy Removal	8		B Printed Wiring Board	32
2-6.	H5 Board Removal	9		G Printed Wiring Board (19 inches)	36
2-7.	B Board Removal	9		G1D Printed Wiring Board (26 inches)	38
2-8.	Power Board Removal (19 inches)	9		H1 Printed Wiring Board	40
2-9.	Power Board Removal (26 inches)	9		H5 Printed Wiring Board	40
3. ADJUSTMENTS			5. EXPLODED VIEWS		
3-1.	How to enter the Service Mode	10	5-1a.	Chassis (19 inches)	41
3-2.	Service Menu Structure	10	5-1b.	Chassis (26 inches)	42
3-2-1.	Service General Menu	10	5-2.	Bezel & Stand Assy	43
3-2-2.	Service Alignments Menu	10	5-3a.	Rear Cover & Power Supply Cords (19 inches)	44
3-2-3.	Virgin Mode	11	5-3b.	Rear Cover & Power Supply Cords (26 inches)	45
3-2-4.	OSD Service Menu	11		Accessories & Connectors	46
3-2-5.	Country Selection Menu	11		Remote Commander	46
3-2-6.	Reset	11			
3-3.	White Balance Adjustment	12			
3-3-1.	Preparation	12			
3-3-2.	“COOL” White Balance Adjustment	12			
3-3-3.	“NEUTRAL” White Balance Adjustment ..	12			
3-3-4.	“WARM” White Balance Adjustment	12			

WARNING !!

AN ISOLATION TRANSFORMER SHOULD BE USED DURING ANY SERVICE WORK TO AVOID POSSIBLE SHOCK HAZARD DUE TO LIVE CHASSIS, THE CHASSIS OF THIS RECEIVER IS DIRECTLY CONNECTED TO THE POWER LINE.

SAFETY-RELATED COMPONENT WARNING !!

COMPONENTS IDENTIFIED BY SHADING AND MARKED Δ ON THE EXPLODED VIEWS AND IN THE PARTS LIST ARE CRITICAL FOR SAFE OPERATION. REPLACE THESE COMPONENTS WITH SONY PARTS WHOSE PART NUMBERS APPEAR AS SHOWN IN THIS MANUAL OR IN SUPPLEMENTS PUBLISHED BY SONY.

SECTION 1 GENERAL

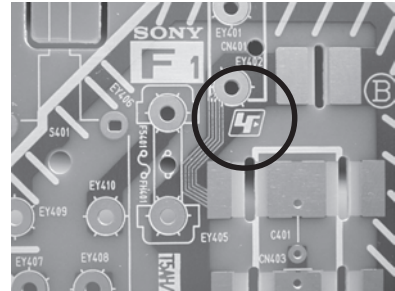
CAUTION

Lead Free Soldered Boards

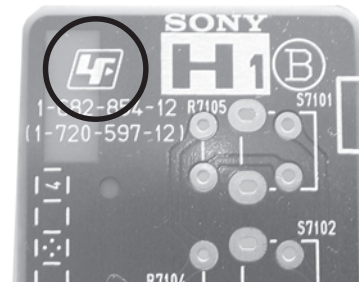
The circuit boards used in these models have been processed using Lead Free Solder. The boards are identified by the LF logo located close to the board designation e.g. F1, H1 etc [see examples]. The servicing of these boards requires special precautions to be taken as outlined below.



example 1



example 2



Lead Free Solder material must be used to comply with environmental requirements of new solder joints. Lead Free Solder is available under the following part numbers :

Partnumber	Diameter	Remarks
7-640-005-19	0.3mm	0.25Kg
7-640-005-20	0.4mm	0.50Kg
7-640-005-21	0.5mm	0.50Kg
7-640-005-22	0.6mm	0.25Kg
7-640-005-23	0.8mm	1.00Kg
7-640-005-24	1.0mm	1.00Kg
7-640-005-25	1.2mm	1.00Kg
7-640-005-26	1.6mm	1.00Kg

Due to the higher melting point of Lead Free Solder the soldering iron tip temperature needs to be set to 370 degrees centigrade. This requires soldering equipment capable of accurate temperature control coupled with a good heat recovery characteristics.

For more information on the use of Lead Free Solder, please refer to <http://www.sony-training.com>

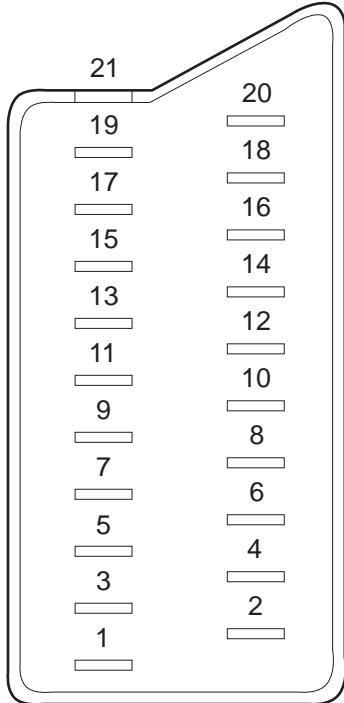
SPECIFICATIONS

Television System	Channel Coverage	Colour/Video System
Analogue: Depending on your country/region B/G/H, D/K, L, I Digital: DVB-T	Analogue: 48.25 - 855.25 MHz Digital: VHF Band III (177.5 - 226.5 MHz) /UHF E21 - E69 (474 - 858 MHz)	Analogue: PAL, SECAM NTSC 3.58/4.43 (VIDEO IN) Digital: MPEG-2 MP@ML

Picture Size	LCD(Liquid Crystal Display) Panel Approx 48.1cm (19 inches) Approx 66.1cm (26 inches)	Sound Output	
		Right and Left speaker	2 x 5W (RMS) (19 inches) 2 x 10W (RMS) (26 inches)
Input/Output Terminals [REAR]		General Specifications	
1: 21-pin Euro connector (CENELEC standard)	Inputs for Audio and Video signals. Inputs for RGB, Inputs for S-Video. Outputs of Analogue TV Video and Audio signals.	Power Requirements	
		Power Consumption	
		Standby Power Consumption	
2: 21-pin Euro connector (CENELEC standard)	Inputs for Audio and Video signals. Inputs for RGB and S Video. Outputs of Video and Audio signals	Dimensions	With stand
			Without stand
Phono Jacks	Audio input: 500mVrms, Impedance: 47Kohms	Weight	With stand
			Without stand
Component In	Supported formats: 1080i, 720p, 576p, 576i, 480p, 480i Y: 1 Vp-p, 75 ohms, 0.3V negative sync/Pb/Cb: 0.7 Vp-p, 75 ohms/Pr/Cr: 0.7 V p-p, 75 ohms Audio input: Phono jacks	Main Features	High Quality Design "Draw the Line" Concept with wave design speakers Thin-looking side edge Matt black finish High Usability Simple, easy-to-use Sony OSD Input select OSD Tools menu shortcut Useful connectivity with Highly-selected Features 2 HDMI inputs PC input (D-sub) SCART x 2 Favourite channels Channel label Sleep Timer
HDMI Inputs	Video: 1080i, 720p, 576p, 576i, 480p, 480i Audio: Two channel linear PCM 32, 44.1 and 48kHz, 16, 20 and 24 bits Analogue audio input: (minijack) (HDMI IN 2 only)		
PC Input	Video: 15 Pin D Sub Connector Audio: Minijack		
CAM	Conditional Access Module		
Input/Output Terminals [SIDE]		Remote control system : Infrared control	
Headphone jack	Stereo mini jack	Power requirements	3V dc 2 batteries IEC designation R06 (size AA)
Audio input	Phono jacks		
Video input	Phono jack		
Design and specifications are subject to change without notice.			

CONNECTORS

21 Pin Connector (SCART)




Pin No	1	2	Signal	Signal level
1	○	○	Audio output B (right)	Standard level : 0.5V rms Output impedance : Less than 1kohm*
2	○	○	Audio input B (right)	Standard level : 0.5V rms Output impedance : More than 10kohm*
3	○	○	Audio output A (left)	Standard level : 0.5V rms Output impedance : Less than 1kohm*
4	○	○	Ground (audio)	
5	○	○	Ground (blue)	
6	○	○	Audio input A (left)	Standard level : 0.5V rms Output impedance : More than 10kohm*
7	○	○	Blue input	0.7 +/- 3dB, 75 ohms positive
8	○	○	Function select (AV control)	High state (9.5-12V) : Part mode Low state (0-2V) : TV mode Input impedance : More than 10K ohms Input capacitance : Less than 2nF
9	○	○	Ground (green)	
10	●	○	AVlink	
11	○	○	Green	Green signal : 0.7 +/- 3dB, 75 ohms, positive
12	●	●	Open	
13	○	○	Ground (red)	
14	○	○	Ground (blanking)	
15	○	○	Red input	0.7 +/- 3dB, 75 ohms, positive
	-	-	(S signal Chroma input)	0.3 +/- 3dB, 75 ohms, positive
16	○	○	Blanking input (Ys signal)	High state (1-3V) Low state (0-0.4V) Input impedance : 75 ohms
17	○	○	Ground (video output)	
18	○	○	Ground (video input)	
19	○	○	Video output	1V +/- 3dB, 75ohms, positive sync 0.3V (-3+10dB)
20	○	○	Video input	1V +/- 3dB, 75ohms, positive sync 0.3V (-3+10dB)
	-	-	Video input Y (S signal)	1V +/- 3dB, 75ohms, positive sync 0.3V (-3+10dB)
21	○	○	Common ground (plug, shield)	

○ Connected

● Not Connected (open) * at 20Hz - 20kHz

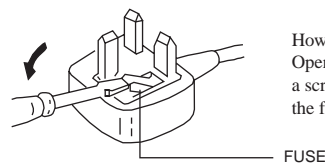
UK PLUG WARNING

WARNING (UK Models only)

The flexible mains lead is supplied connected to a **B.S. 1363** fused plug having a fuse of the correct rating for the set. Should the fuse need to be replaced, use a fuse of the same rating approved by ASTA to **BS 1362**, ie one that carries the  mark.

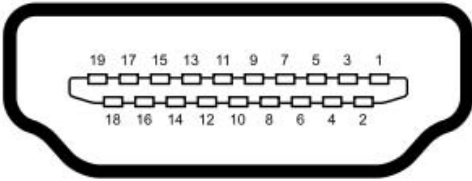
IF THE PLUG SUPPLIED WITH THIS APPLIANCE IS NOT SUITABLE FOR THE OUTLET SOCKETS IN YOUR HOME, IT SHOULD BE CUT OFF AND AN APPROPRIATE PLUG FITTED. THE PLUG SEVERED FROM THE MAINS LEAD MUST BE DESTROYED AS A PLUG WITH BARED WIRES IS DANGEROUS IF ENGAGED IN A LIVE SOCKET.

When an alternative type of plug is used, it should be fitted with the correct rating fuse, otherwise the circuit should be protected by the same rating fuse at the distribution board.



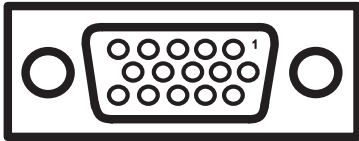
How to replace the fuse.
Open the fuse compartment with a screwdriver blade and replace the fuse.

HDMI Connector



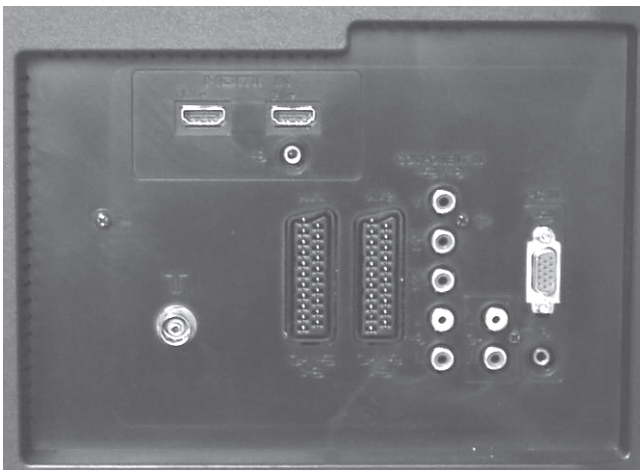
Pin No	Signal Assignment	Pin No	Signal Assignment
1	TMDS Data2+	11	TMDS Clock Shield
2	TMDS Data2 Shield	12	TMDS Clock-
3	TMDS Data2-	13	CEC
4	TMDS Data1+	14	Reserved (N.C. on device)
5	TMDS Data1 Shield	15	SCL
6	TMDS Data1-	16	SDA
7	TMDS Data0+	17	DDC/CEC Ground
8	TMDS Data0 Shield	18	+5V Power
9	TMDS Data0-	19	Hot Plug Detect
10	TMDS Clock+		

15 Pin D Sub Connector (PC)



Pin No	Signal Assignment	Pin No	Signal Assignment
1	Red Out	9	+5V DC
2	Green Out	10	Sync Return (Ground)
3	Blue Out	11	Monitor ID0 in Display
4	Unused	12	DCC Serial Data
5	Ground	13	Horizontal Sync
6	Red Return	14	Vertical Sync
7	Green Return (Ground)	15	DCC Serial Clock
8	Blue Return (Ground)		

Rear Connection Panel



Side Connection Panel

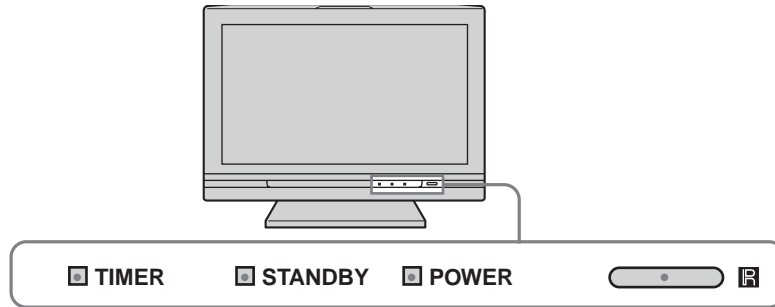


NEX SELF DIAGNOSTIC SOFTWARE

IMPORTANT:

The TV sets in this manual DO NOT contain a self-diagnostic function. If an error occurs, the TV will not stay on. It is recommended that if a repair is required for these TV sets, the technician should take both the A Board and the Power Unit Board to the customer location.

Control LED's



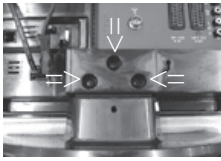
LED Error Codes and Descriptions

The TV sets in this manual DO NOT contain a self-diagnostic function.

SECTION 2 DISASSEMBLY

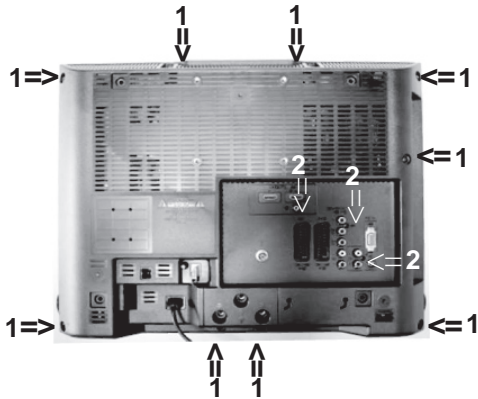
2-1. Stand & Rear Cover Removal (19 inches)

The stand must be removed before the rear cover can be removed.



Remove the 3 fixing screws indicated and lift the TV off the stand.

4) 2-580-603-01 SCREW, +PSW M4 X 16 1 Screw

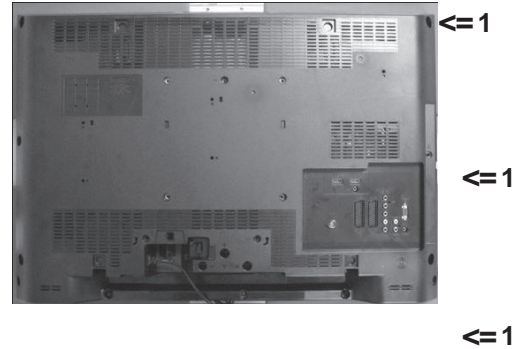


Remove the rear cover fixing screws indicated and pull the rear cover gently backwards away from the back of the TV set.

Screw Part number(s) and Description(s)

1) 2-580-639-01 SCREW, +BVTP2 4 X 12 9 Screws
2) 7-685-646-79 SCREW, +BVTP 3 X 8 3 Screws

2-2. Rear Cover Removal (26 inches)

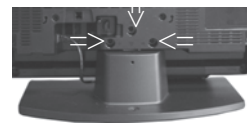


Remove the rear cover fixing screws indicated and pull the rear cover gently backwards away from the back of the TV set.

Screw Part number(s) and Description(s)

1) 2-580-640-01 SCREW, +BVTP2 4 X 16 14 Screws
2) 2-580-606-01 SCREW, +PSW M5X8 1 Screw
3) 7-685-646-79 SCREW, +BVTP 3 X 8 3 Screws

2-3. Stand Removal (26 inches)



Remove the 3 stand fixing screws indicated.

Screw Part number(s) and Description(s)

2-580-603-01 SCREW, +PSW M4X16 3 Screws

2-4. Loudspeaker Removal

19 inch



Screws

26 inch



Screws

To remove the 'Loudspeaker' disconnect the speaker cables and remove the 3 screws circled. The loudspeaker can then be pulled gently backwards away from the back of the TV set.

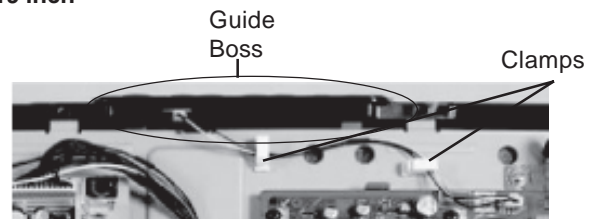
The same process is used for the left and right speakers.

Screw Part number(s) and Description(s)

2-580-639-01 SCREW, +BVTP2 4X12 3 Screws (for each speaker) (19 inches)
2-580-640-01 SCREW, +BVTP2 4X16 3 Screws (for each speaker) (26 inches)

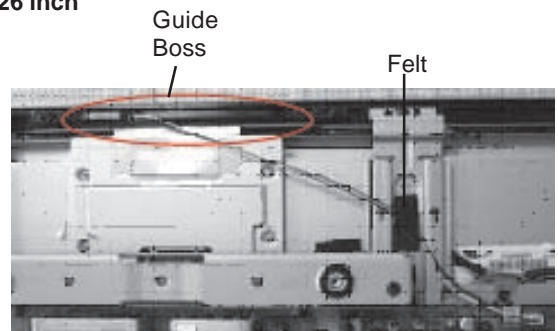
2-5. Switch Unit Sub Assy Removal

19 inch



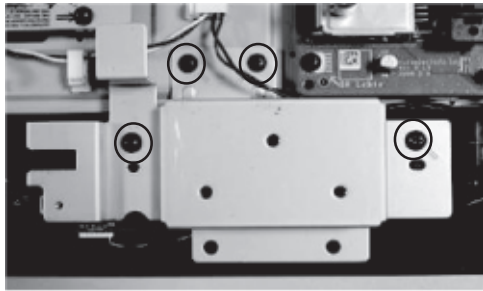
Open the clamps holding the wire harness. Disconnect the harness from the main board. The Key Board sub assy can now be lifted from its guide boss.

26 inch



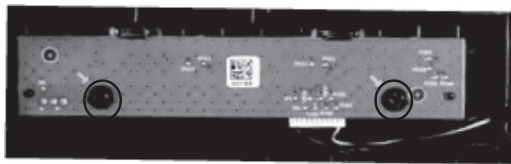
Remove the felt from the wire harness. Disconnect the harness from the main board. The Key Board sub assy can now be lifted from its guide boss.

2-6. H5 Board Removal



Remove the STAND-BKT by removing the 4 screws circled. The H5 board will now be exposed.

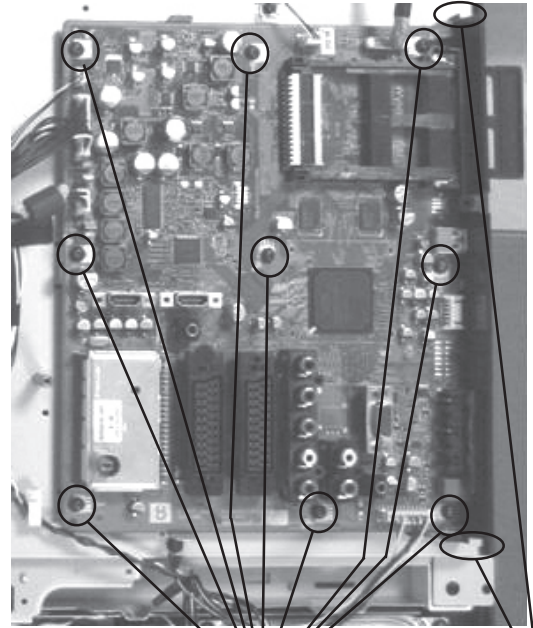
Screw Part number(s) and Description(s)
2-580-639-01 SCREW, +BVTP 4 X 12 4 Screws



To remove the H5 Board disconnect the wire harness and remove the screws circled.

Screw Part number(s) and Description(s)
7-685-646-79 SCREW, +BVTP 3 X 8 2 Screws

2-7. B Board Removal



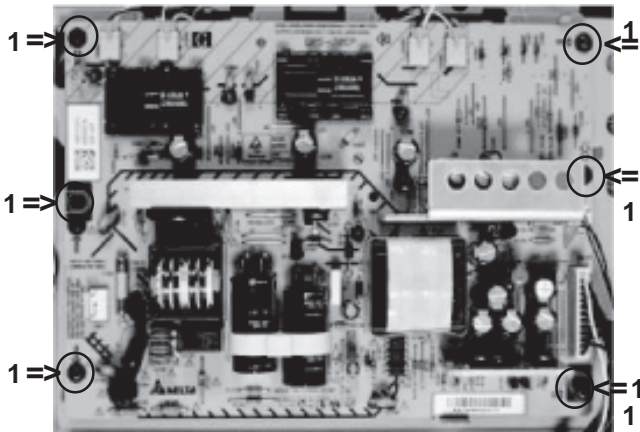
Screws

Clips

Disconnect the 6 harnesses from the board. Remove the side cover by releasing the clips at the top and bottom of the bracket. Remove the 9 screws circled. The board can then be carefully lifted from the TV.

Screw Part number(s) and Description(s)
4-382-854-01 SCREW, +PSW M3 X 8 9 Screws

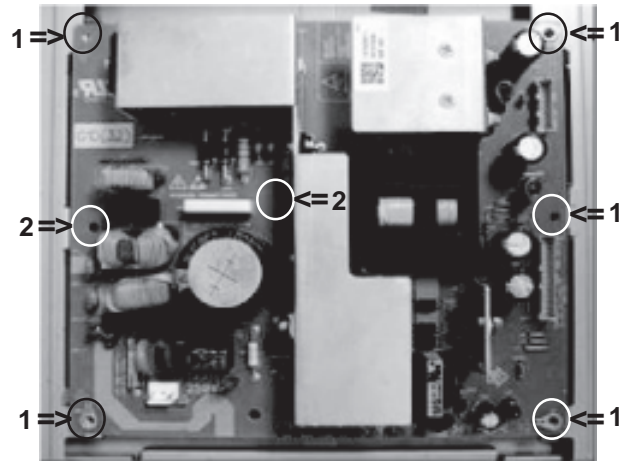
2-8. Power Board Removal (19 inches)



Disconnect the 4 harnesses from the board. Remove the 6 screws circled and ease the board gently away from the back of the TV set.

Screw Part number(s) and Description(s)
1) 4-382-854-01 SCREW, +PSW M3 X 8 6 Screws

2-9. Power Board Removal (26 inches)



Disconnect the 3 harnesses from the board. Remove the 7 screws circled and ease the board gently away from the back of the TV set.

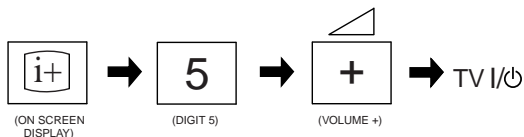
Screw Part number(s) and Description(s)
1) 4-382-854-01 SCREW, +PSW M3 X 8 5 Screws
2) 7-685-646-79 SCREW, +BVTP 3 X 8 2 Screws

SECTION 3 ADJUSTMENTS

3-1. How to enter the Service Mode

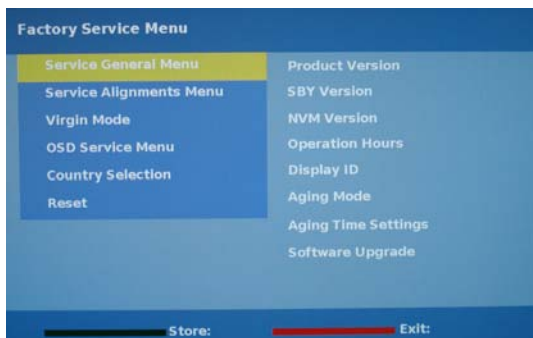
Service adjustments to this model can be performed using the supplied Remote Commander RM-ED014.

1. Turn on the power to the TV set.
2. Press the following sequence of buttons on the Remote Commander.



3. The following menu appears on the screen (See Pic.1).

Pic.1



4. Move to the corresponding adjustment item using the '↑' or '↓' arrow buttons on the Remote Commander.
 5. Press the '→' arrow button to enter into the required menu item.
 6. Adjust the data value using the '↑' or '↓' arrow buttons on the Remote Commander.
 7. To go back at any time press the '←' button on the Remote Commander.
 8. Press the Red button or 'Menu' button on the Remote Commander to quit the Service Mode when all adjustments have been completed.
- After carrying out the service adjustments, to prevent the customer accessing the 'Service Menu' switch the TV set OFF and then ON again.

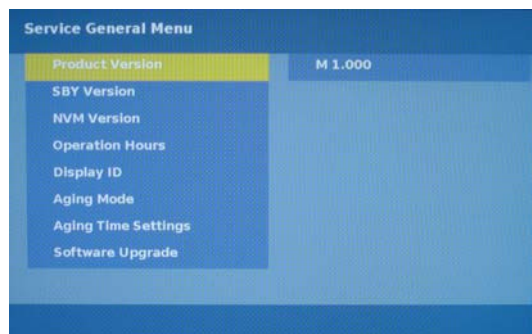
3-2. Service Menu Structure

The following description shows the items that can be viewed and/or adjusted using the Service Menu.

3-2-1. Service General Menu

The following menu appears on the screen when you enter the 'Service General Menu' (See Pic.2). This menu allows you to view the product information, set the TV into Aging Mode and perform Software Upgrade to the TV set.

Pic.2



3-2-2. Service Alignments Menu

The following menu appears on the screen when you enter the 'Service Alignments Menu' (See Pic.3). This menu allows adjustment of the TV picture levels. These adjustments are set during manufacture and should not normally require further adjustment.

Pic.3



3-2-3. Virgin Mode

Selection of 'Virgin Mode' (See Pic.4), allows the writing of default data to the NVM. Select the '→' or '+' and the Green button to store the data. Restart the TV.

Pic.4



3-2-4. OSD Service Menu

The following menu appears on the screen when you enter the 'OSD Service Menu' (See Pic.5). This menu allows viewing and adjustment of the AGC and viewing of the Sound Status.

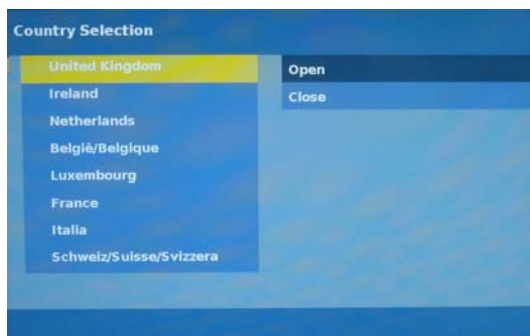
Pic.5



3-2-5. Country Selection Menu

The following menu appears on the screen when you enter the 'Country Selection Menu' (See Pic.6). Using this menu the destination country of the TV can be set.

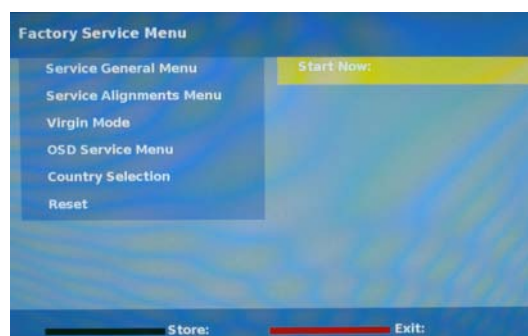
Pic.6



3-2-6. Reset

Selection of 'Reset' (See Pic.7) allows the TV to be reset to factory shipping condition. This will restore all settings to those which were contained in the TV on first shipment.

Pic.7



3-3. White Balance adjustment

3-3-1. Preparation

1. Allow approximately 30 minutes for the set to warm up before proceeding with the white balance adjustment.
2. Connect the signal source to the 3 terminals of the Component In input (Y/Pb/Pr).
3. Set the Picture Mode to "VIVID" in the user menu.
4. Select the Component In input.
5. Open the Factory Service Menu (see section 3-1.) and select "Service Alignments Menu".
6. Set "White Point Red", "White Point Green", "White Point Blue" and "Black Level Offset Red", "Black Level Offset Green", "Black Level Offset Blue" to average values as shown in Table 1.

Table 1

	Red	Green	Blue	Red	Green	Blue
	Gain	Gain	Gain	Offset	Offset	Offset
Cool	122	119	127	0	7	3
Neutral	127	117	113	1	6	2
Warm	127	107	73	2	6	2

3-3-4. "WARM" White Balance Adjustment

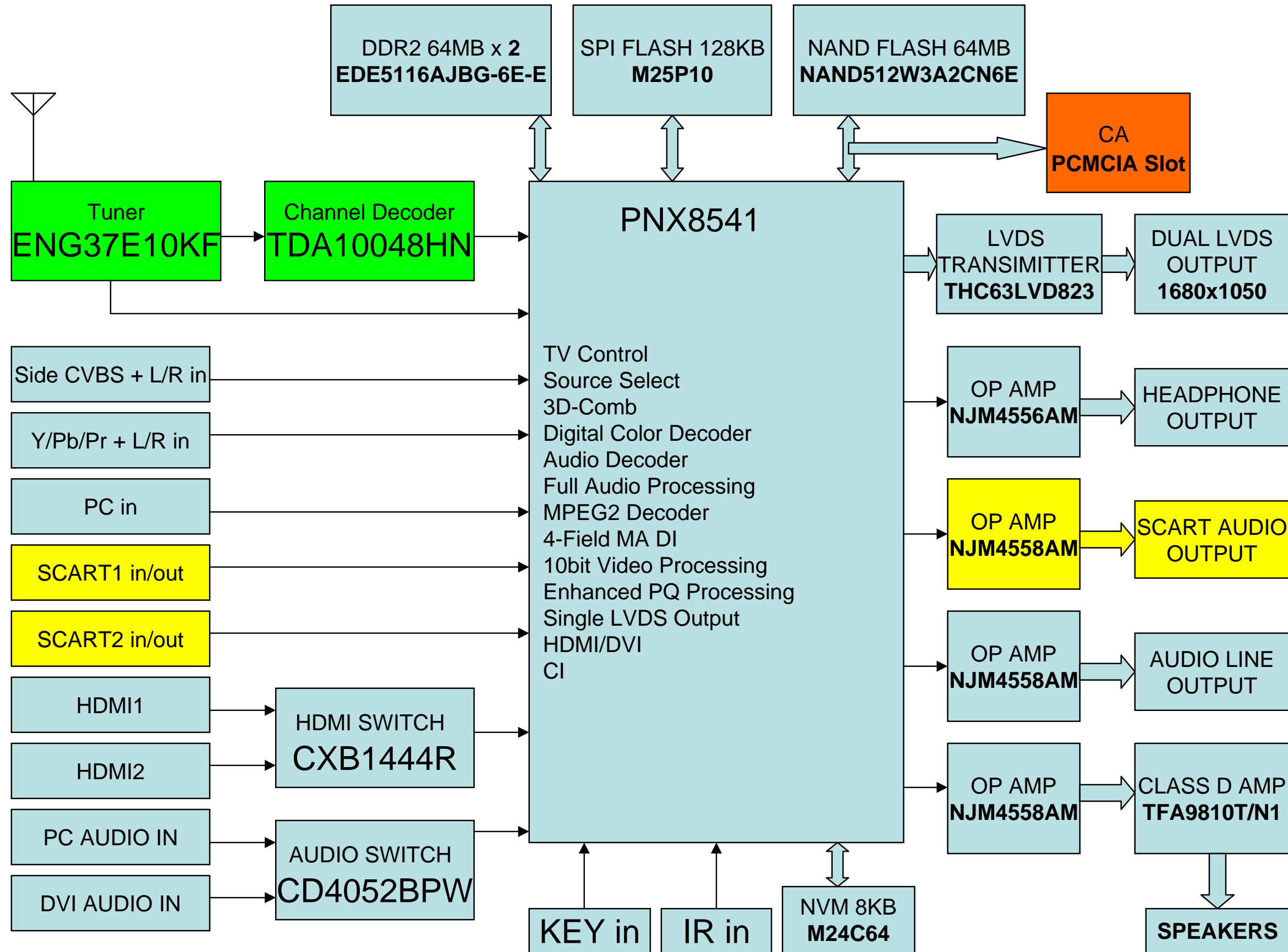
1. Select "WARM" from Color Tone in Service Alignments Menu.
2. Input 70IRE full white pattern signal into Component In.
3. Adjust "White Point Red", "White Point Green", "White Point Blue" in Service Alignments Menu if needed.
4. Input 25IRE full white pattern signal into Component In.
5. Adjust "Black Level Offset Red", "Black Level Offset Green", "Black Level Offset Blue" in Service Alignments Menu if needed.
6. Repeat steps 2 to 5 to achieve desired White Balance.
7. Save the settings.

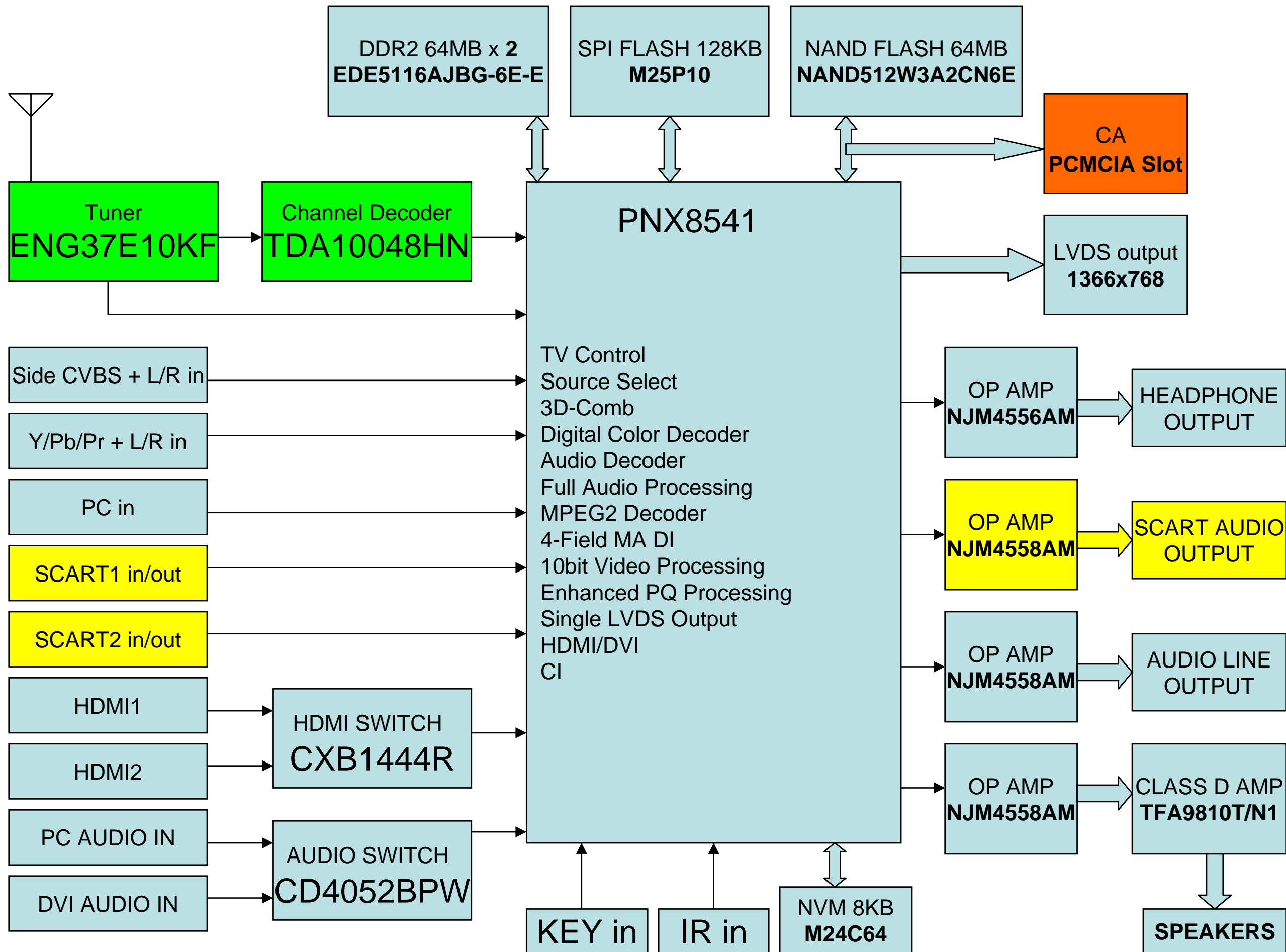
3-3-2. "Cool" White Balance Adjustment

1. Select "COOL" from Color Tone in Service Alignments Menu.
2. Input 70IRE full white pattern signal into Component In.
3. Adjust "White Point Red", "White Point Green", "White Point Blue" in Service Alignments Menu if needed.
4. Input 25IRE full white pattern signal into Component In.
5. Adjust "Black Level Offset Red", "Black Level Offset Green", "Black Level Offset Blue" in Service Alignments Menu if needed.
6. Repeat steps 2 to 5 to achieve desired White Balance.

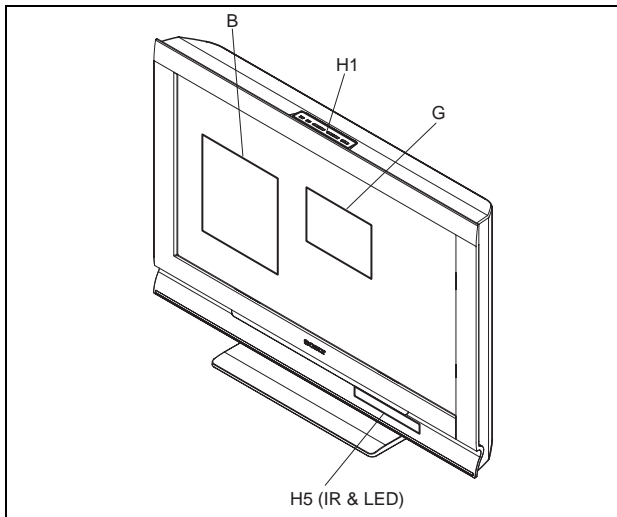
3-3-3. "NEUTRAL" White Balance Adjustment

1. Select "NEUTRAL" from Color Tone in Service Alignments Menu.
2. Input 70IRE full white pattern signal into Component In.
3. Adjust "White Point Red", "White Point Green", "White Point Blue" in Service Alignments Menu if needed.
4. Input 25IRE full white pattern signal into Component In.
5. Adjust "Black Level Offset Red", "Black Level Offset Green", "Black Level Offset Blue" in Service Alignments Menu if needed.
6. Repeat steps 2 to 5 to achieve desired White Balance.





4-2. CIRCUIT BOARD LOCATION









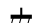


4-3. SCHEMATIC DIAGRAMS AND PRINTED WIRING BOARDS


Note :

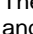
- All capacitors are in μF unless otherwise noted.
- pF : μF 50WV or less are not indicated except for electrolytic types.
- Indication of resistance, which does not have one for rating electrical power, is as follows.

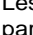
Pitch : 5mm
Electrical power rating : 1/4W


- Chip resistors are 1/10W
- All resistors are in ohms.
k = 1000 ohms, M = 1000,000 ohms
-  : nonflammable resistor.
-  : fusible resistor.
-  : internal component.
-  : panel designation or adjustment for repair.
- All variable and adjustable resistors have characteristic curve B, unless otherwise noted.
- All voltages are in Volts.
- Readings are taken with a 10Mohm digital multimeter.
- Readings are taken with a color bar input signal.
- Voltage variations may be noted due to normal production tolerances.
-  : B + bus.
-  : B - bus.
-  : RF signal path.
-  : earth - ground.
-  : earth - chassis.

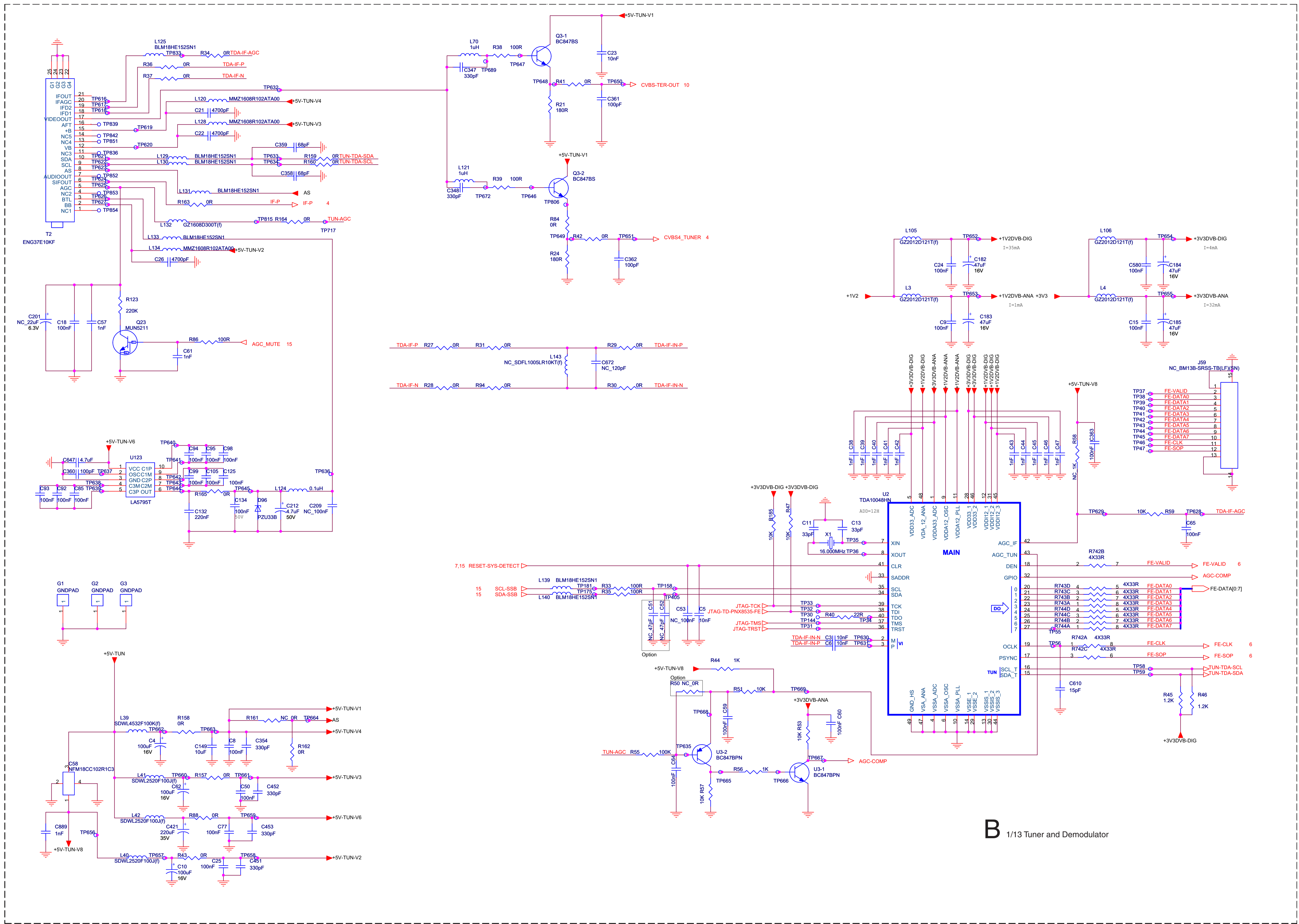
Reference Information

RESISTOR	RN	: METAL FILM
	RC	: SOLID
	FPRD	: NON FLAMMABLE CARBON
	FUSE	: NON FLAMMABLE FUSIBLE
	RS	: NON FLAMMABLE METAL OXIDE
	RB	: NON FLAMMABLE CEMENT
	RW	: NON FLAMMABLE WIREWOUND
		: ADJUSTMENT RESISTOR
COIL	LF-8L	: MICRO INDUCTOR
CAPACITOR	TA	: TANTALUM
	PS	: STYROL
	PP	: POLYPROPYLENE
	PT	: MYLAR
	MPS	: METALIZED POLYESTER
	MPP	: METALIZED POLYPROPYLENE
	ALB	: BIPOLAR
	ALT	: HIGH TEMPERATURE
	ALR	: HIGH RIPPLE

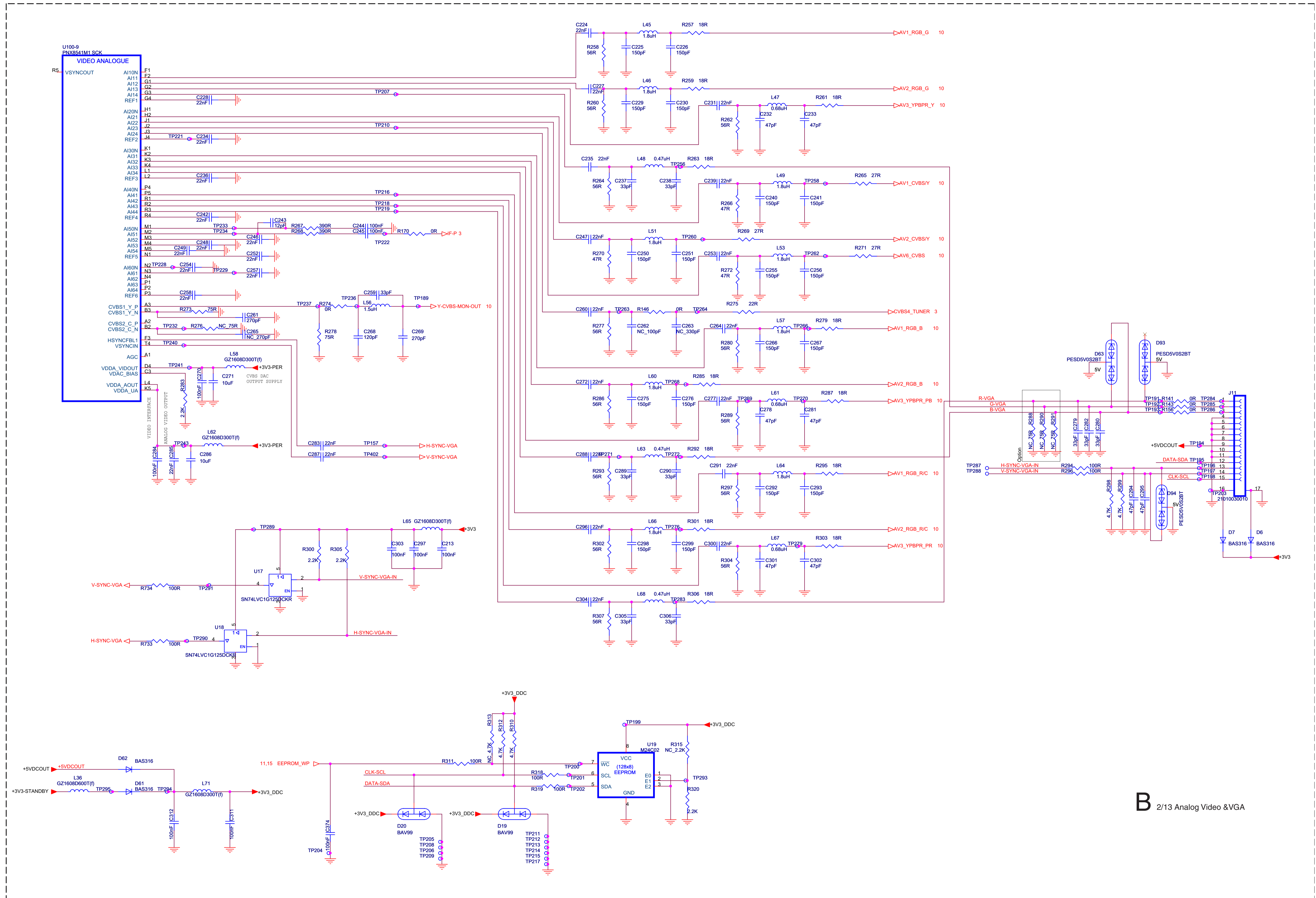
Note : The components identified by shading and marked  are critical for safety. Replace only with the part numbers specified in the parts list.

Note : Les composants identifiés par une trame et par une marque  sont d'une importance critique pour la sécurité. Ne les remplacer que par des pièces de numéro spécifié.

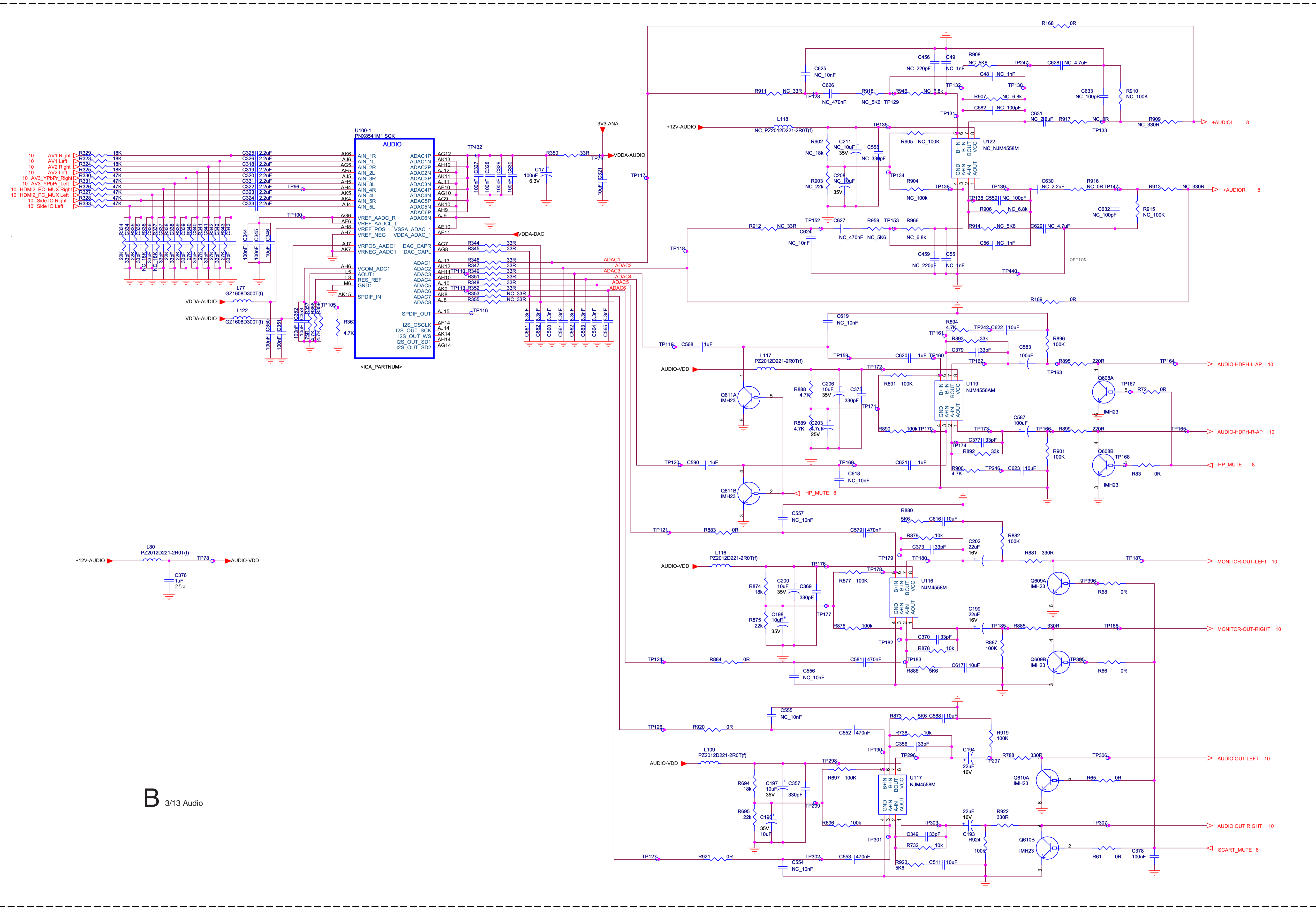
Note : The components identified by mark  contain confidential information. Strictly follow the instructions whenever the components are repaired and/or replaced.



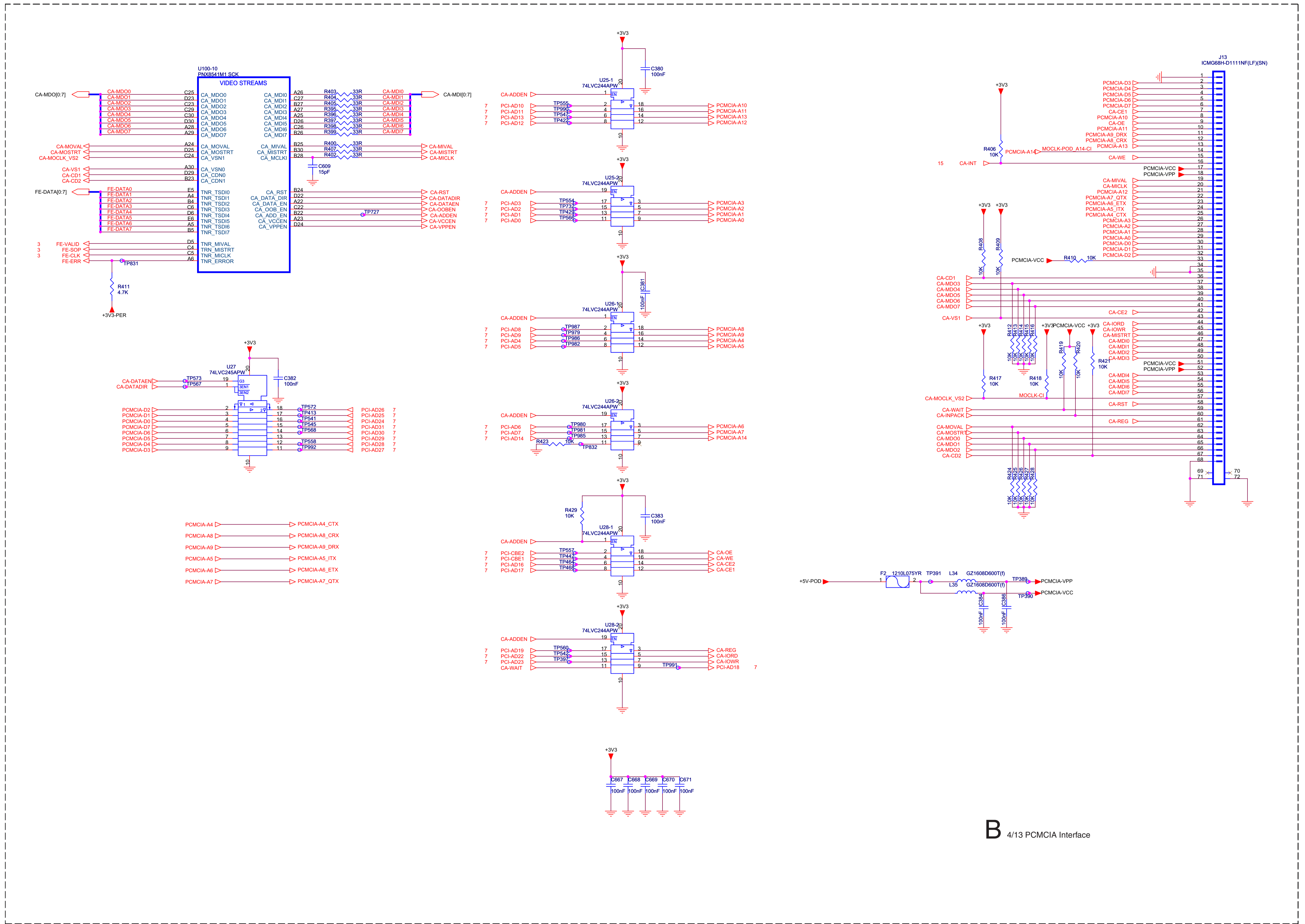
B 1/13 Tuner and Demodulator



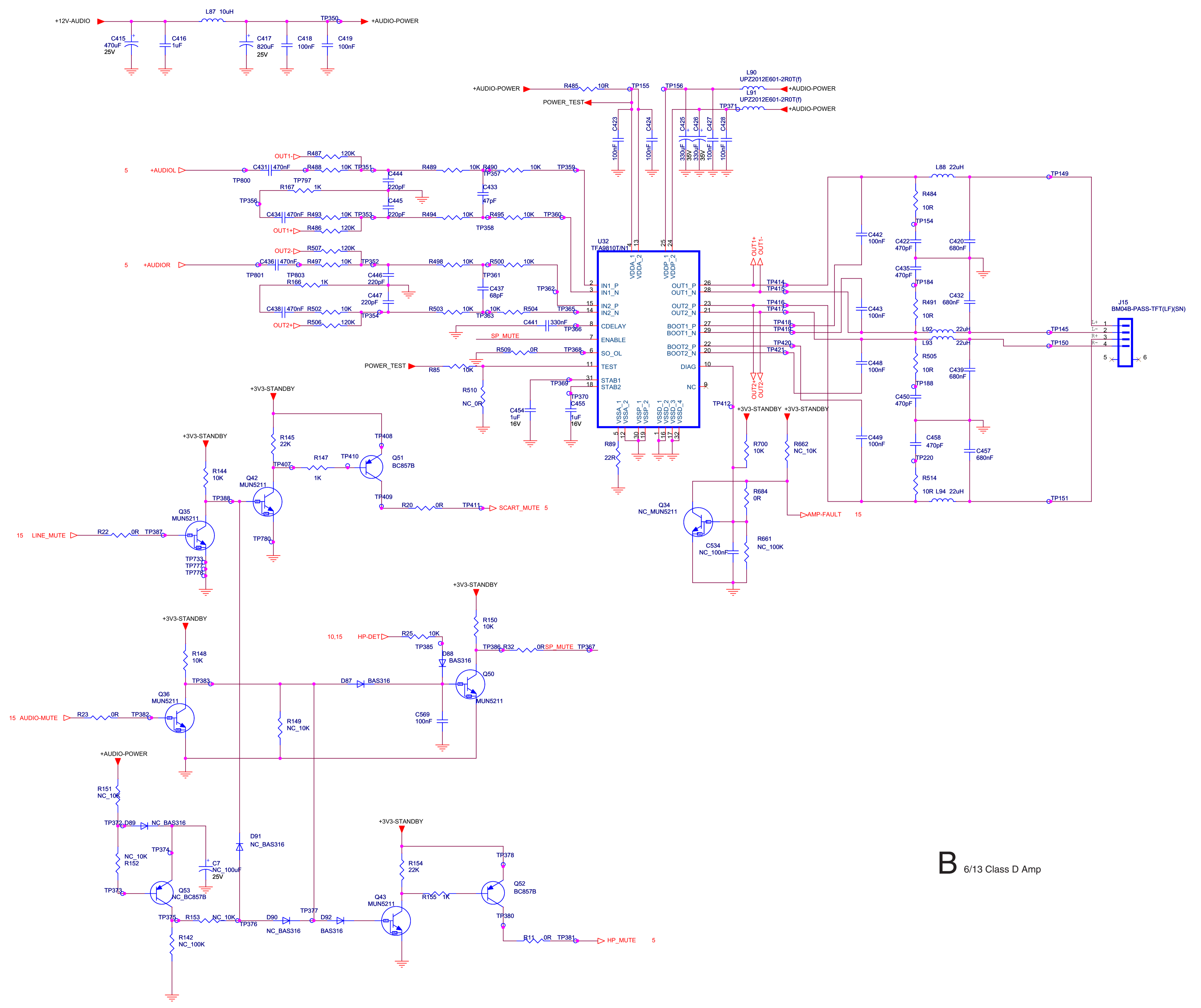
B 2/13 Analog Video & VGA



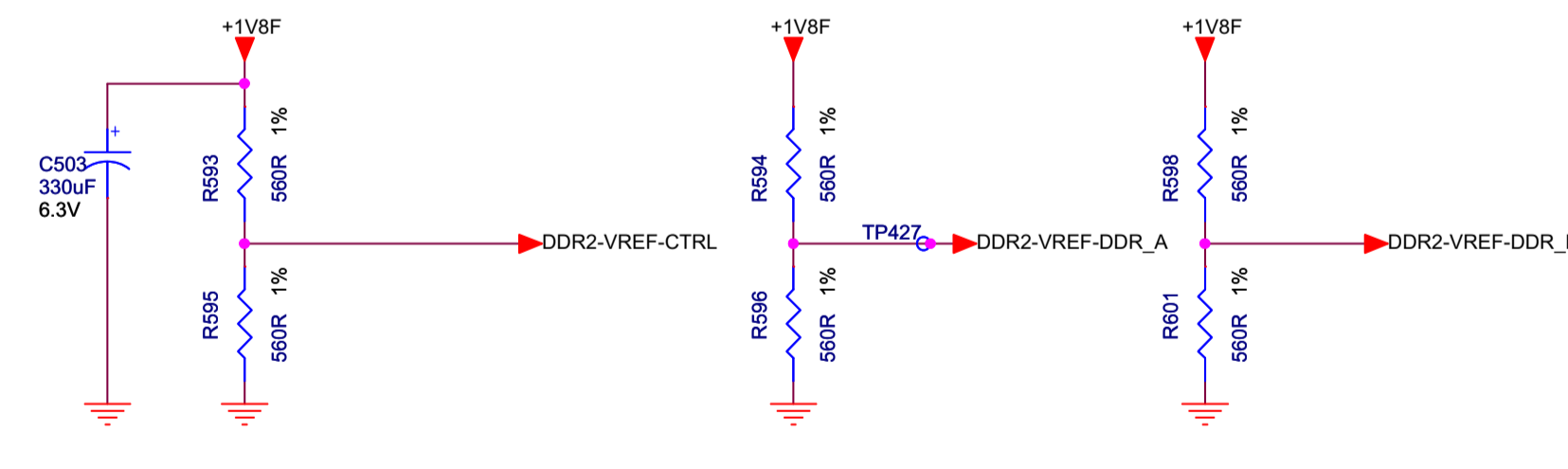
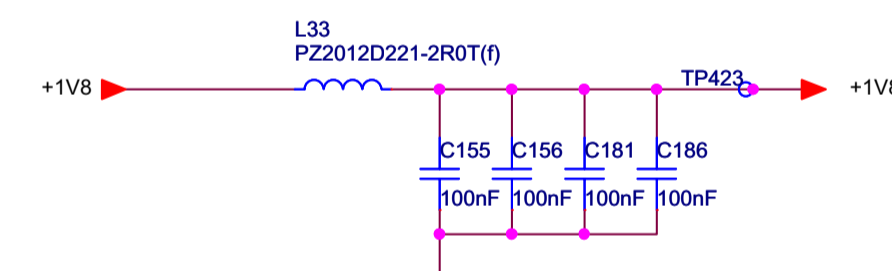
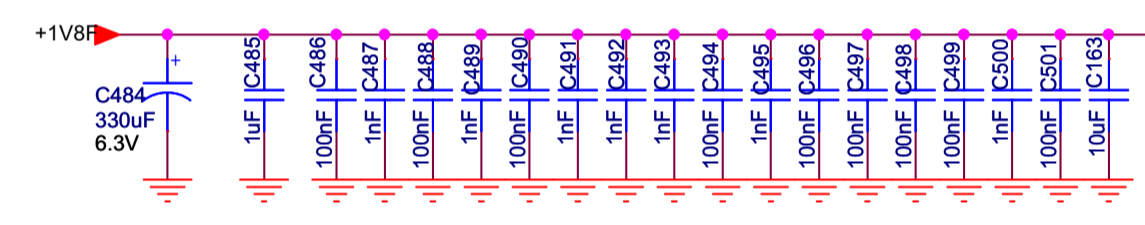
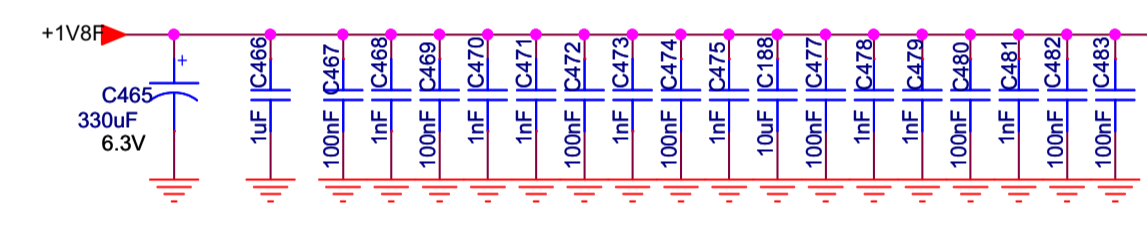
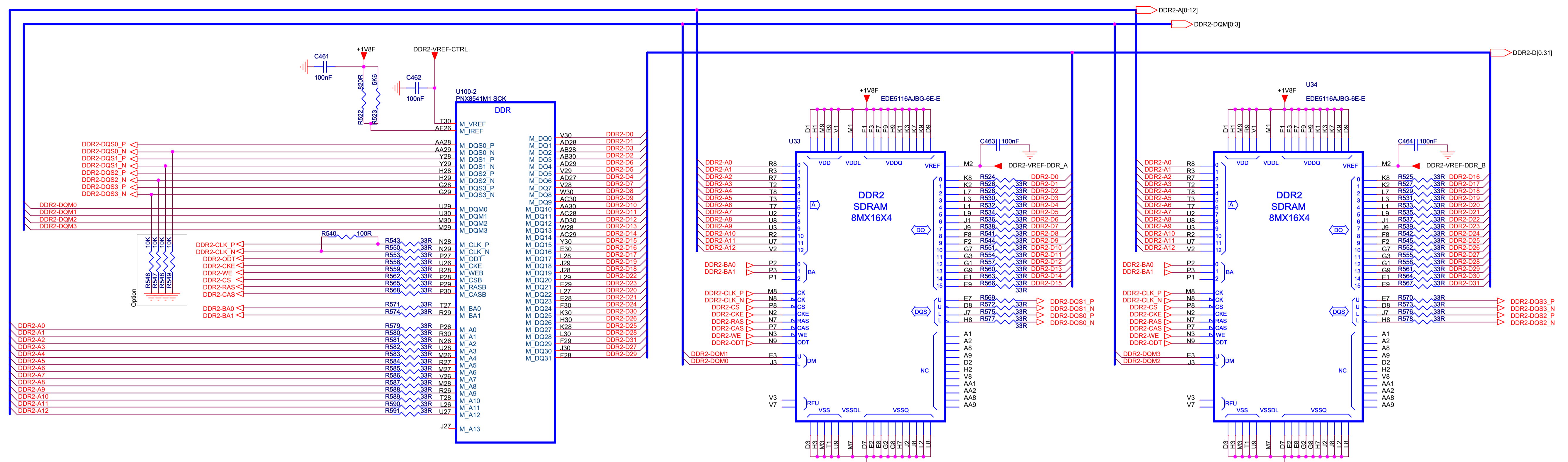
B 3/13 Audio



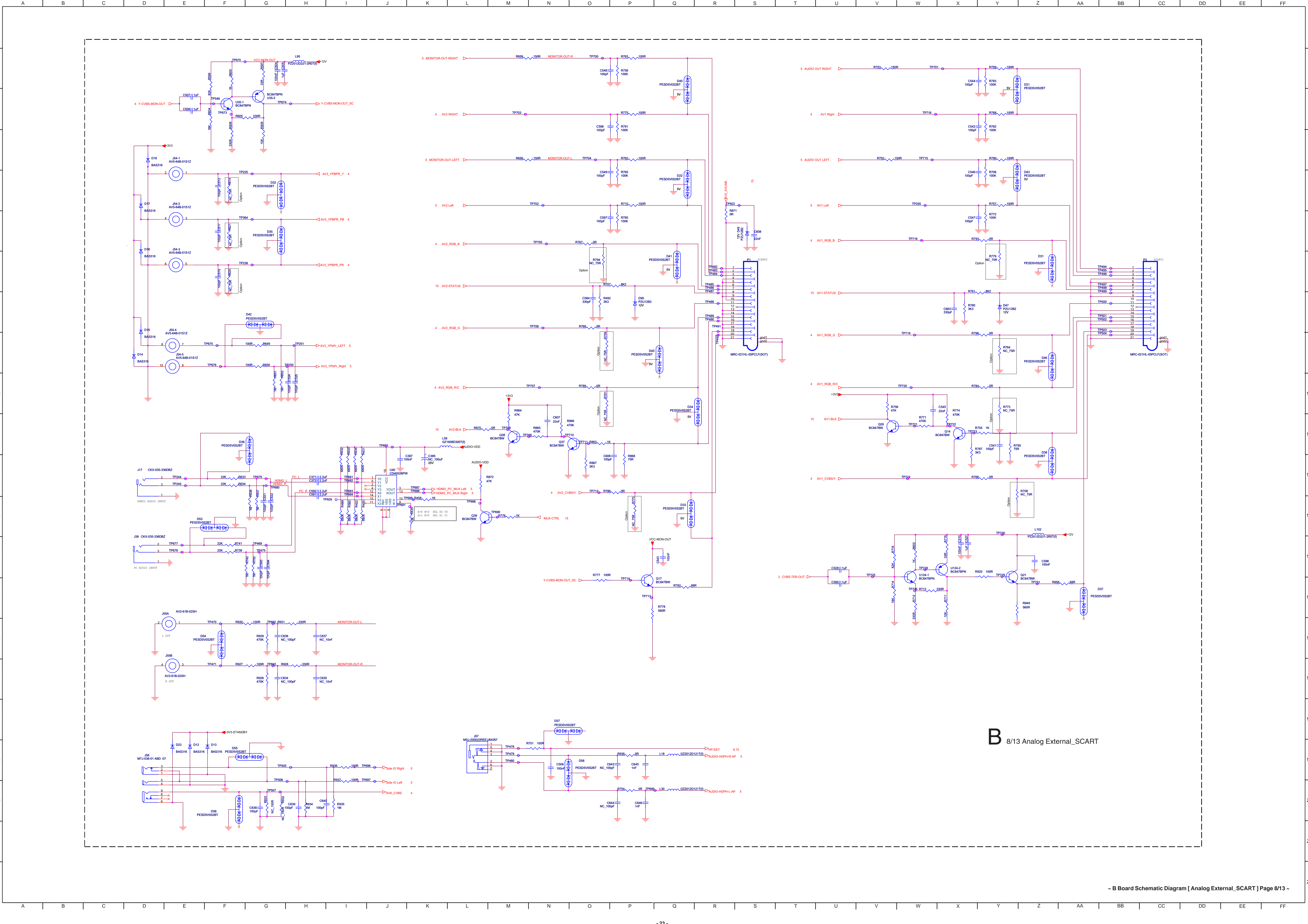
B 4/13 PCMCIA Interface



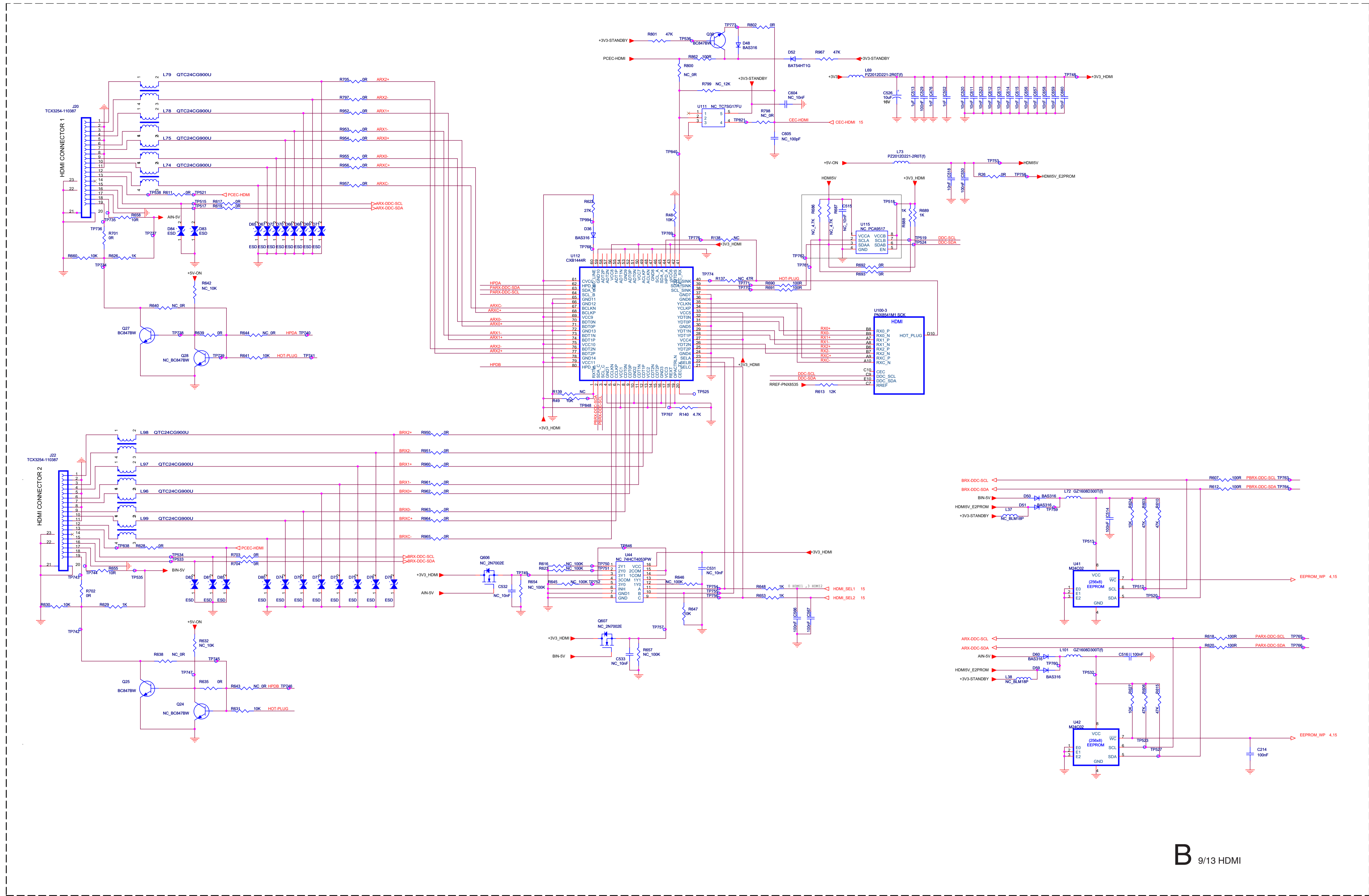
B 6/13 Class D Amp



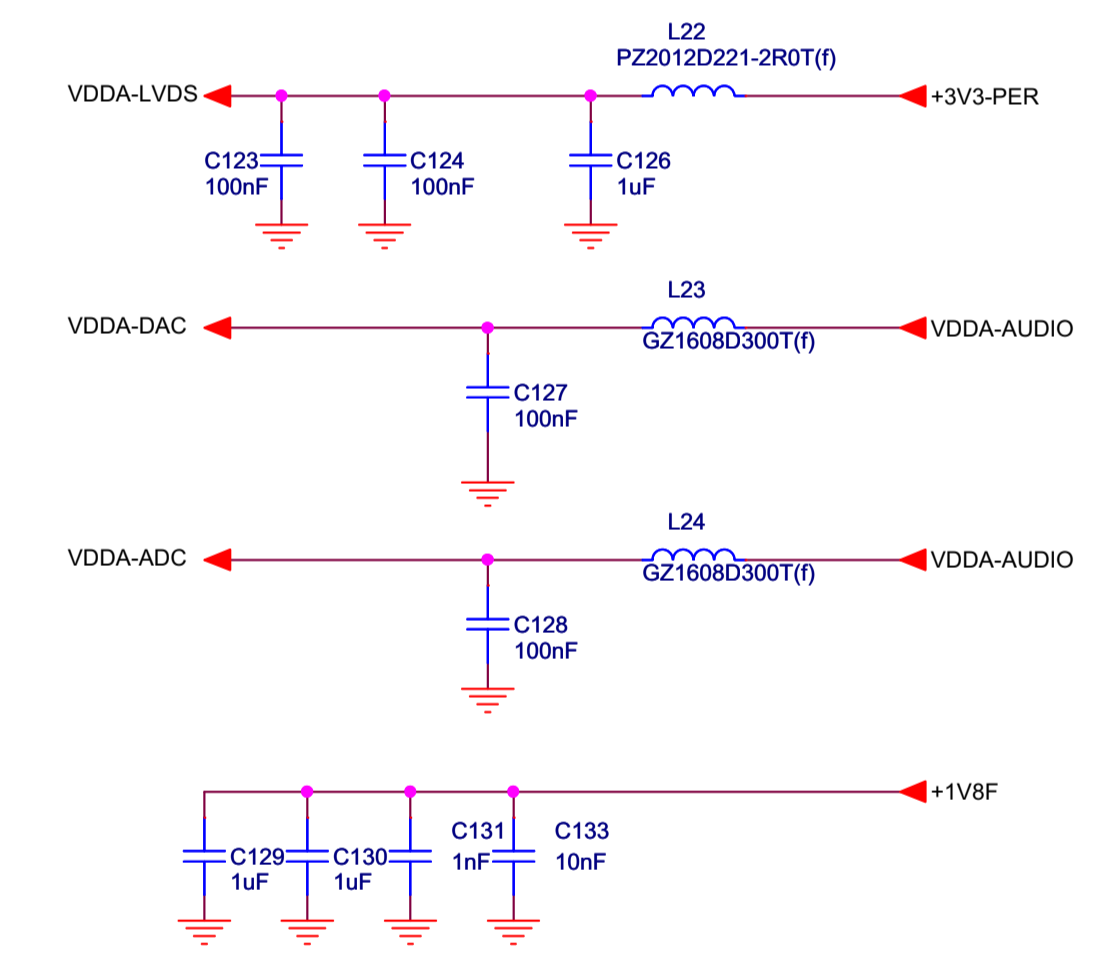
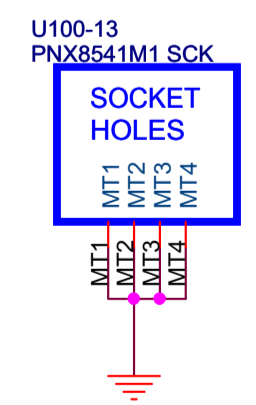
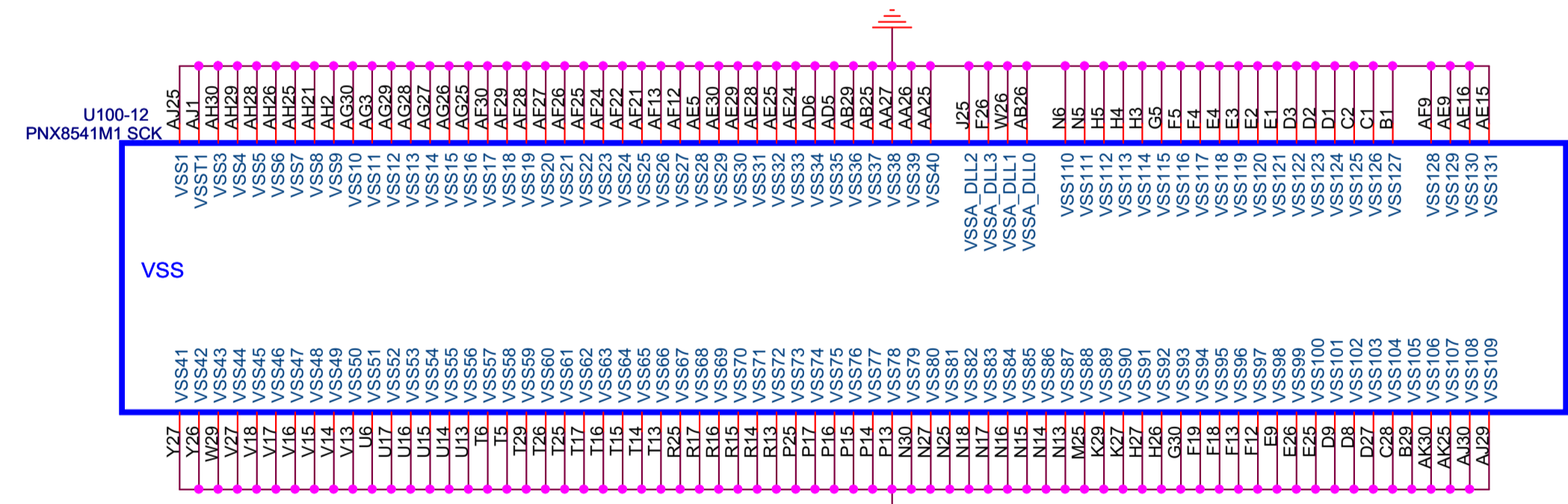
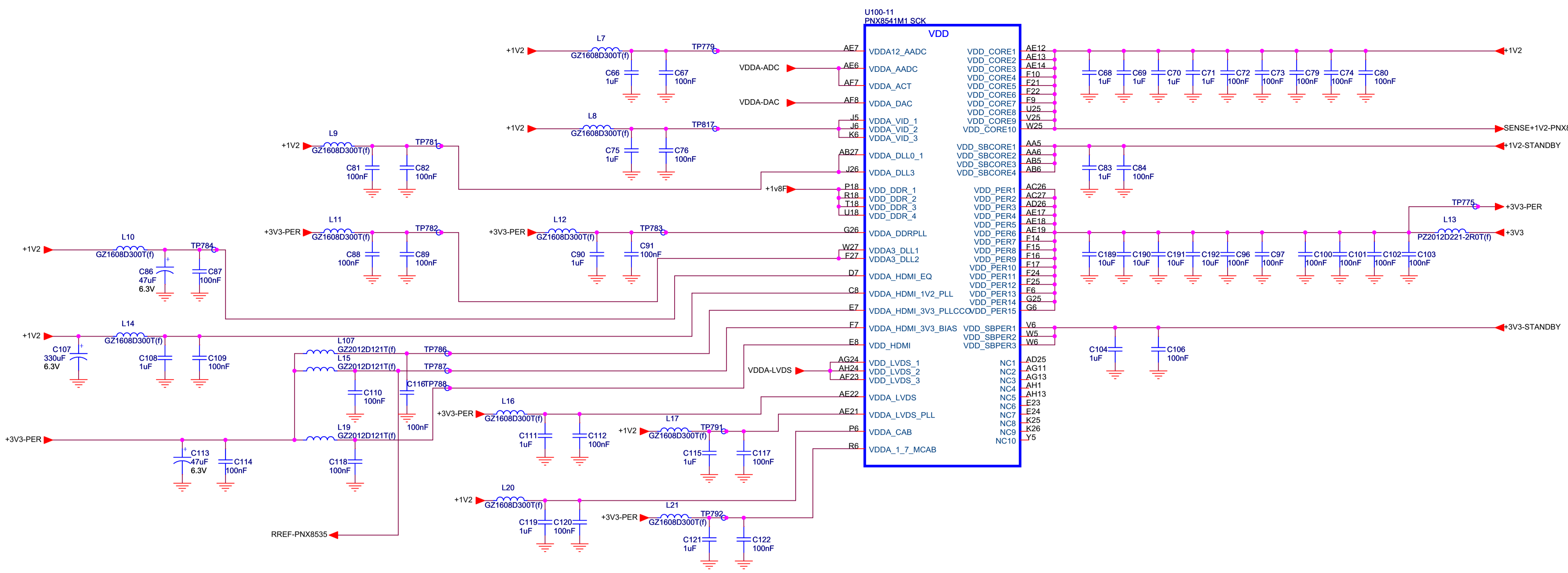
B 7/13 DDR Interface



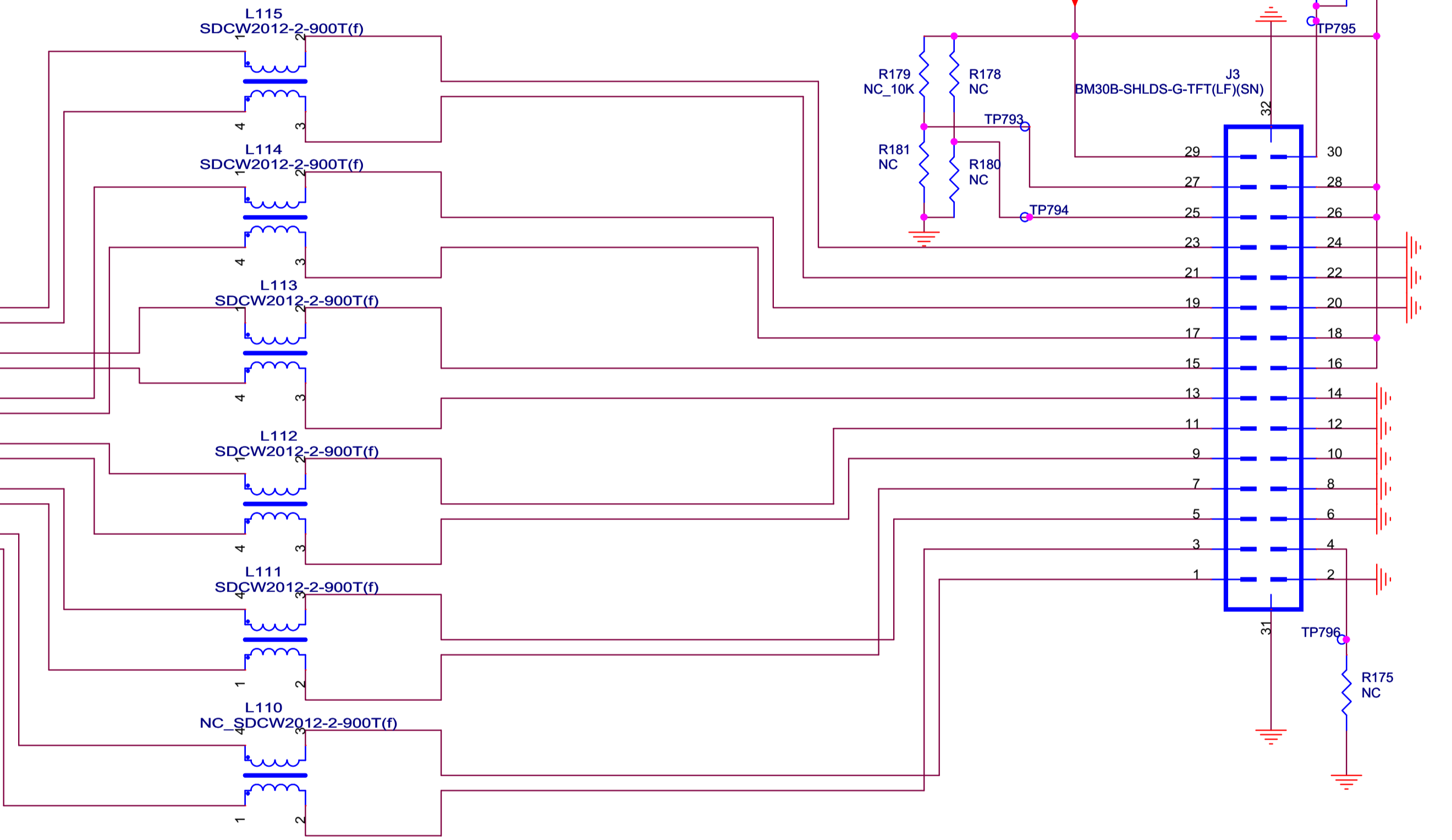
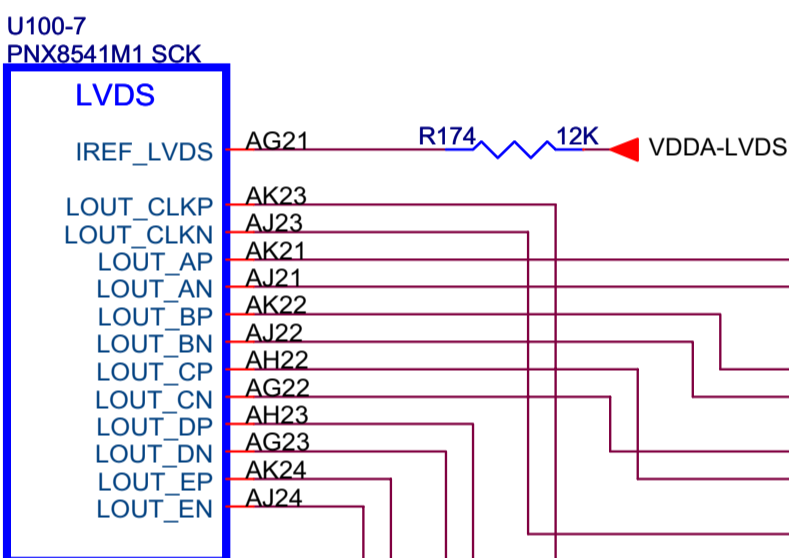
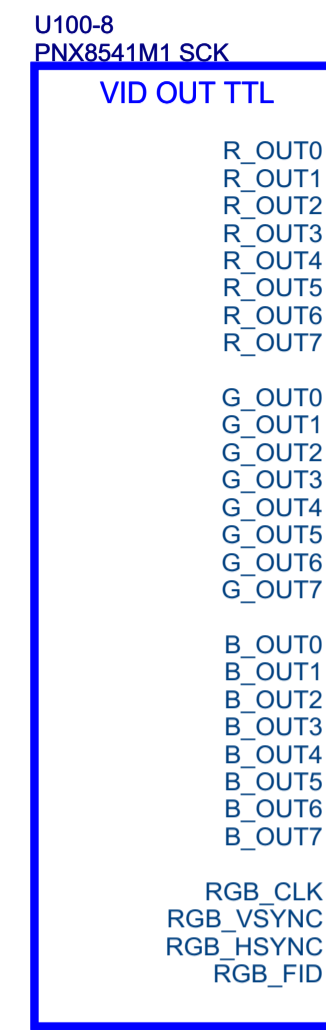
B 8/13 Analog External_SCART



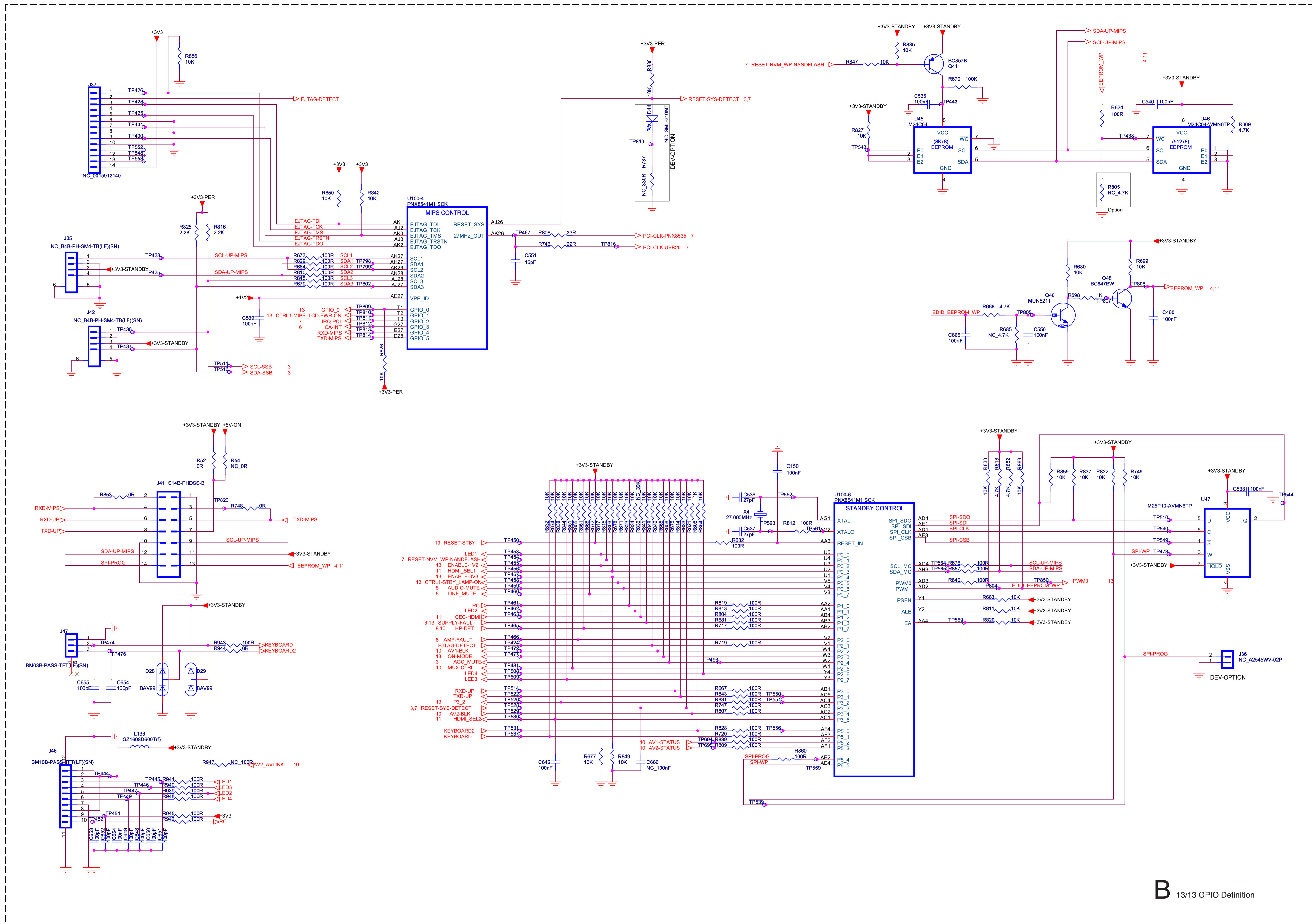
B 9/13 HDMI



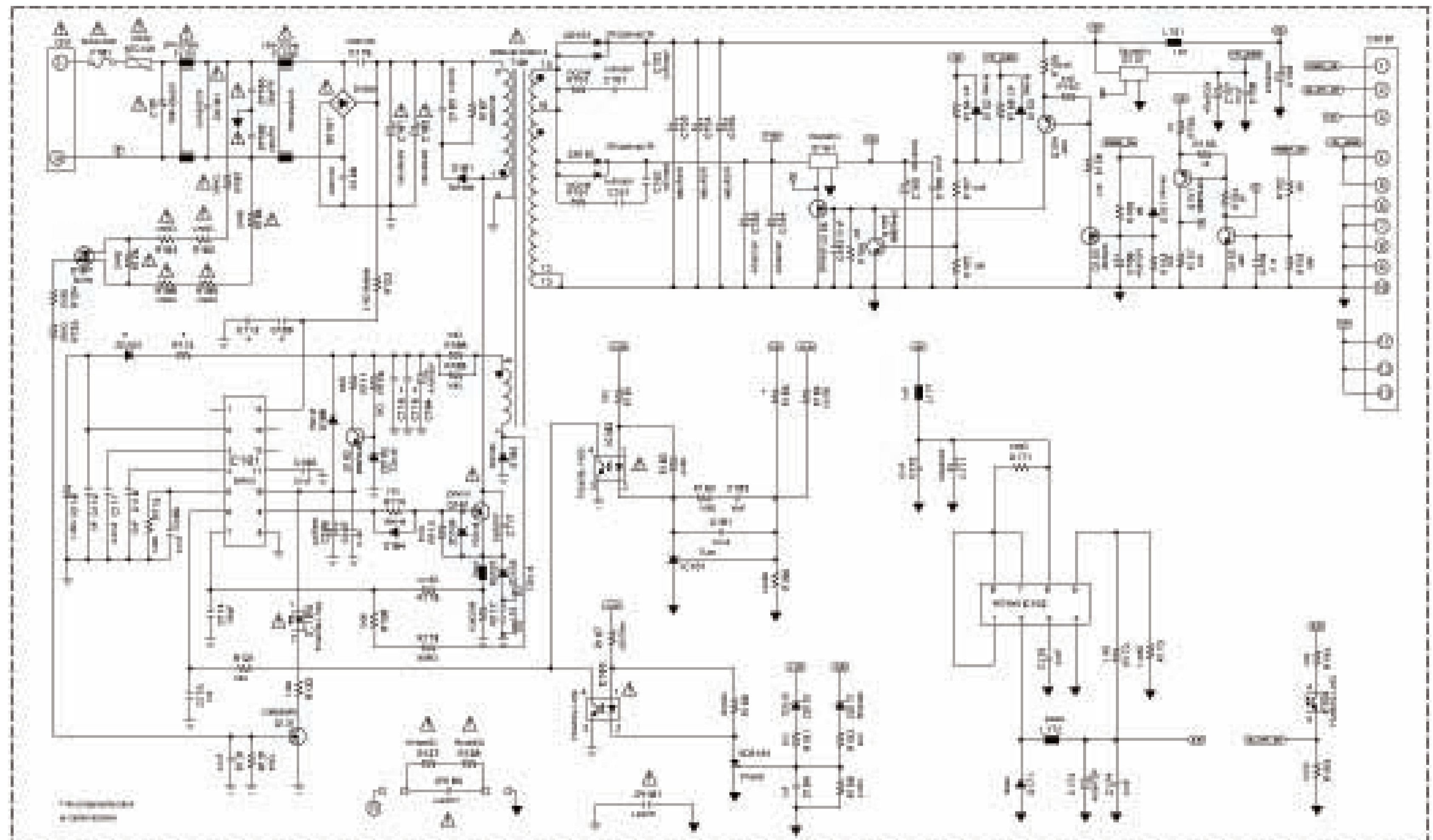
B 10/13 PNX Power



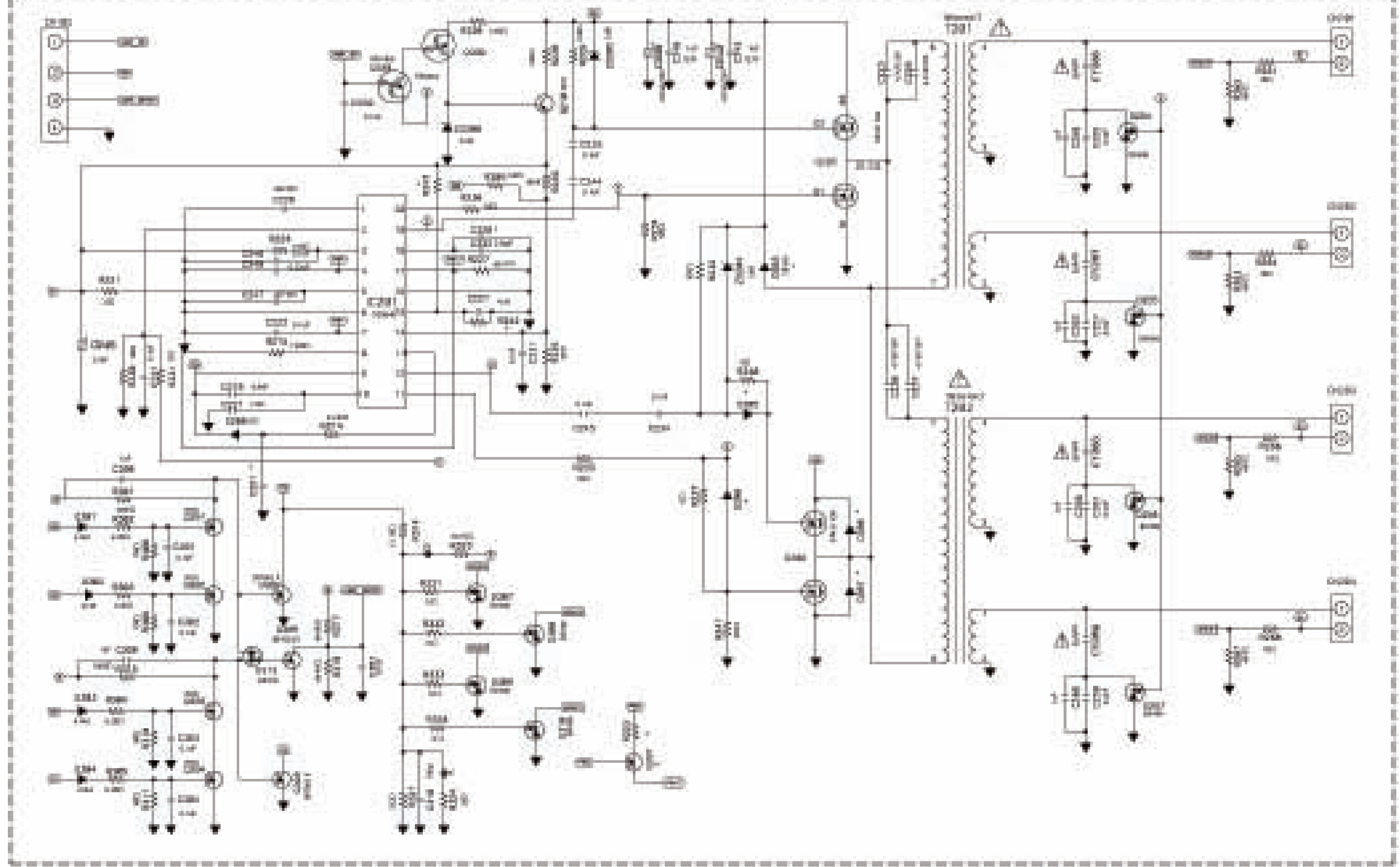
B 12/13 LVDS Out



B 13/13 GPIO Definition

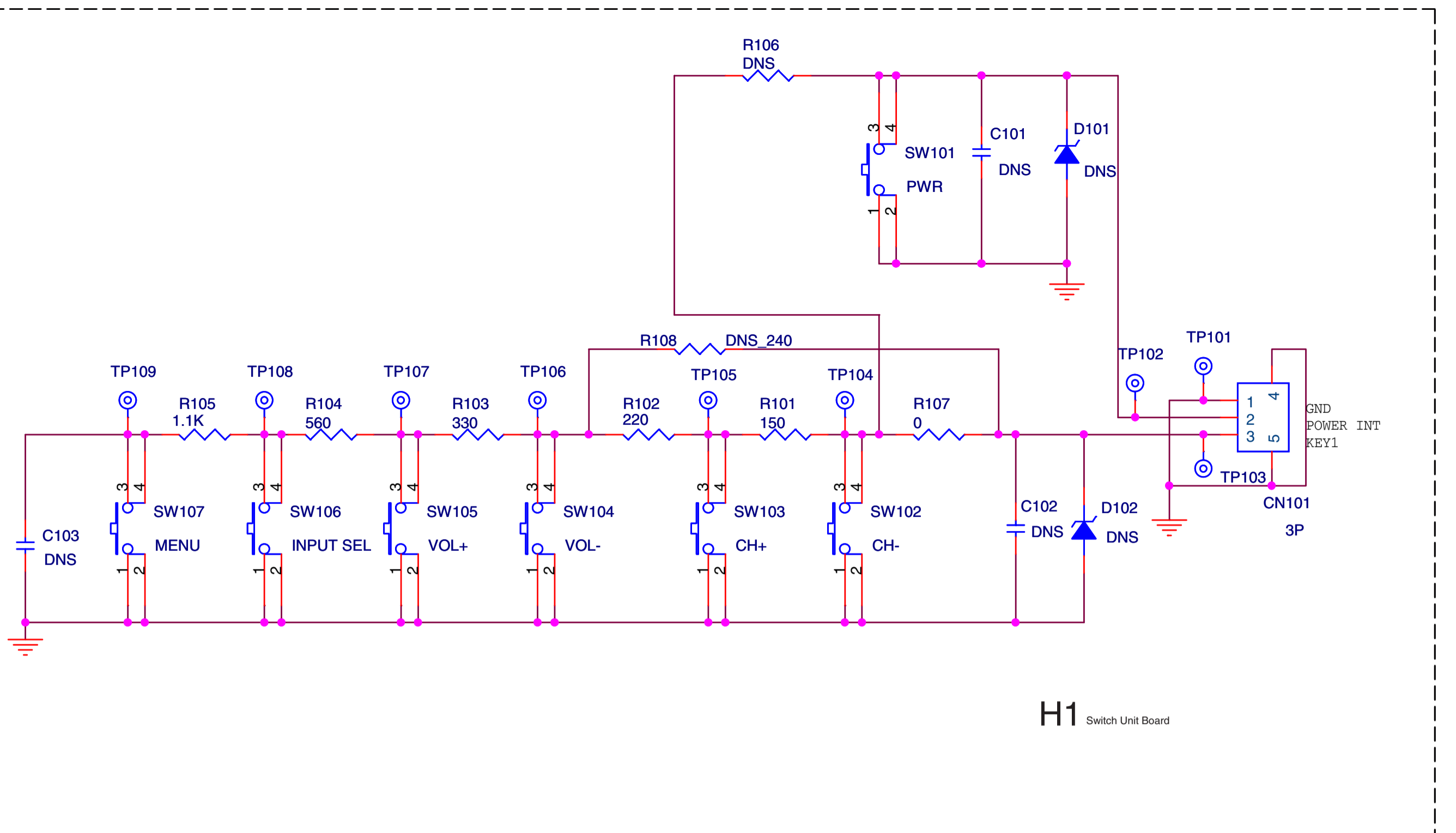


- G Board Schematic Diagram [Power Supply] [19 inches] -



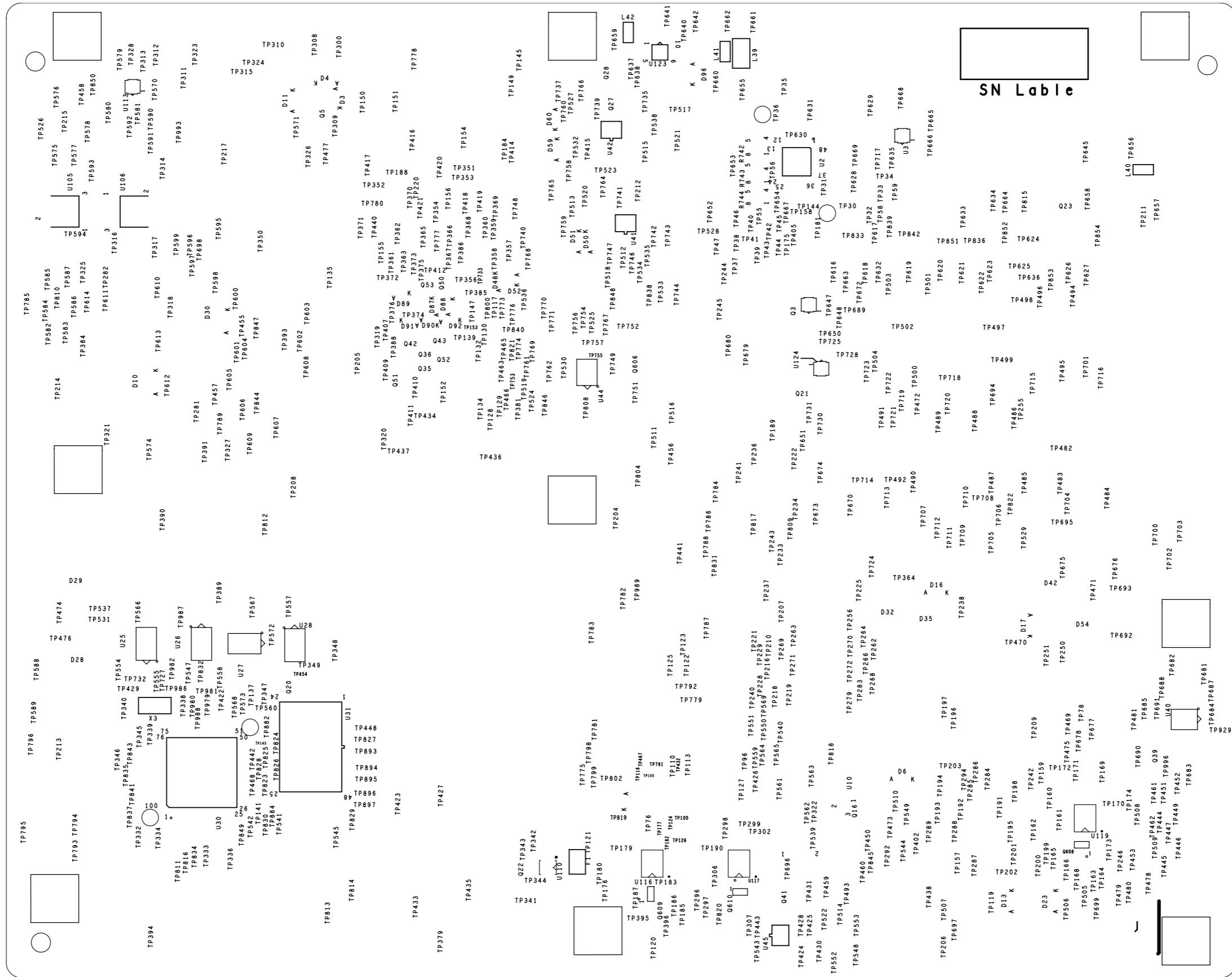
H1 Switch Unit Board

- H1 Board Schematic Diagram [Switch Unit Board] -

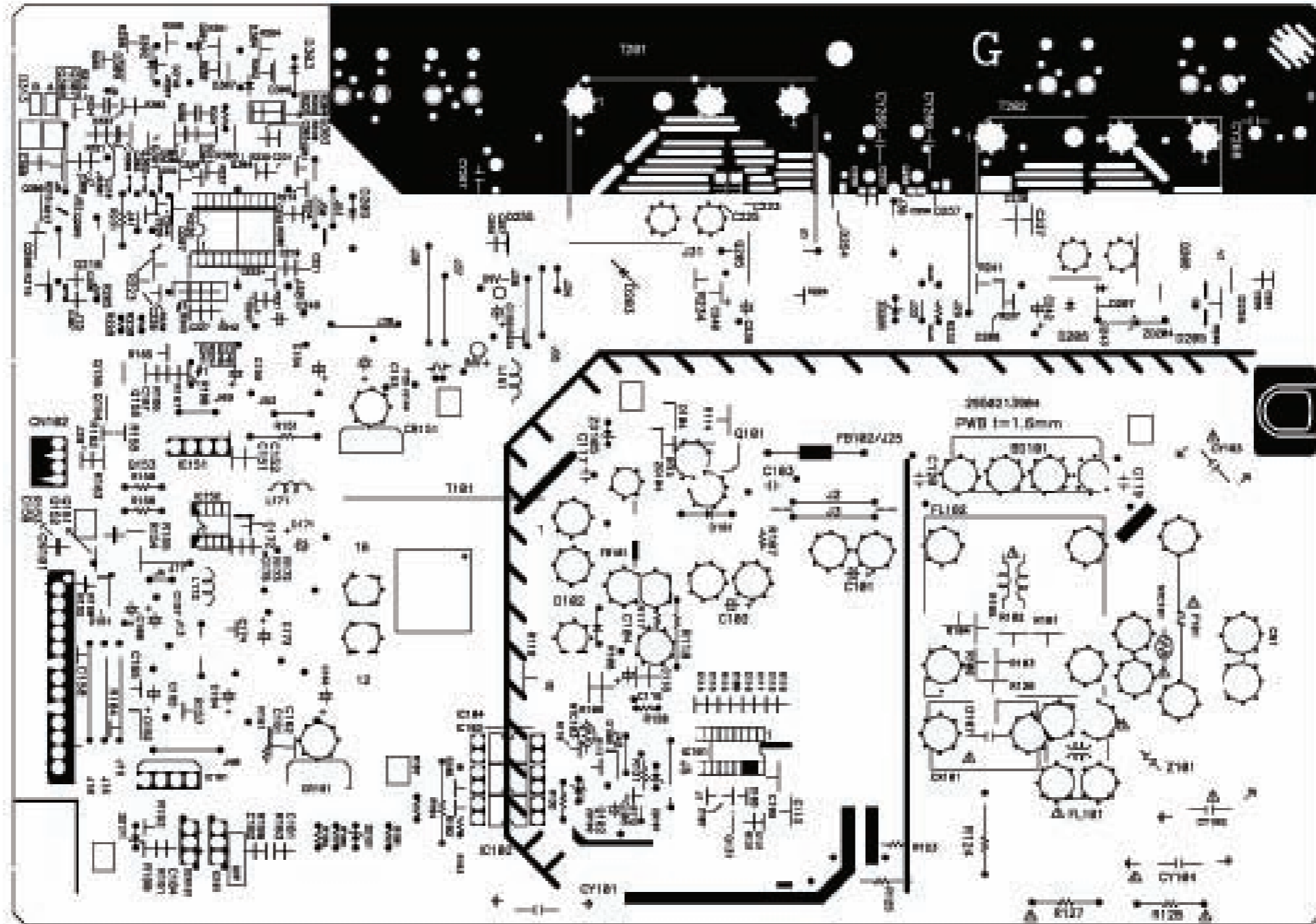


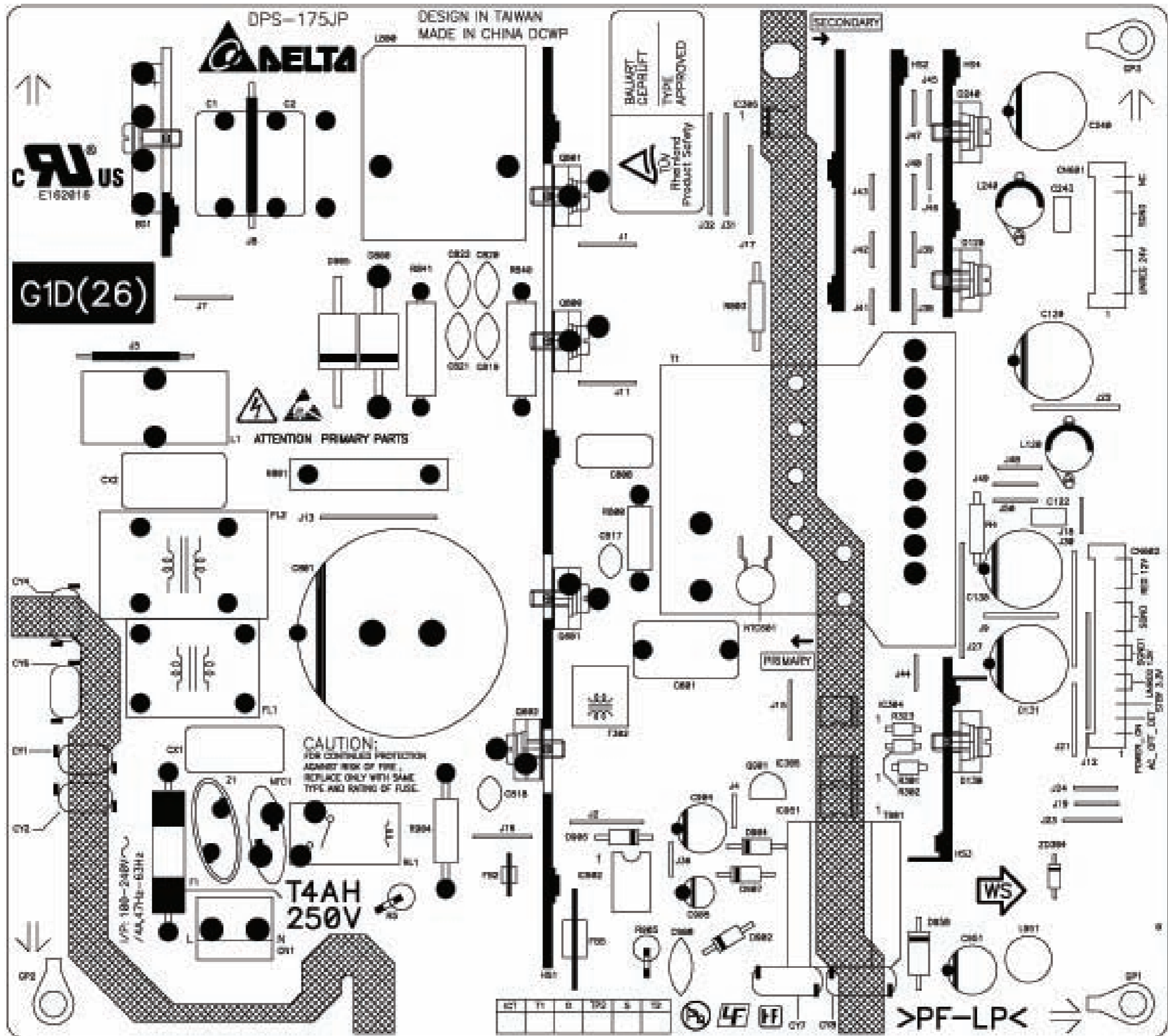
H5 IR & LED Board

- H5 Board Schematic Diagram [IR & LED Board] -

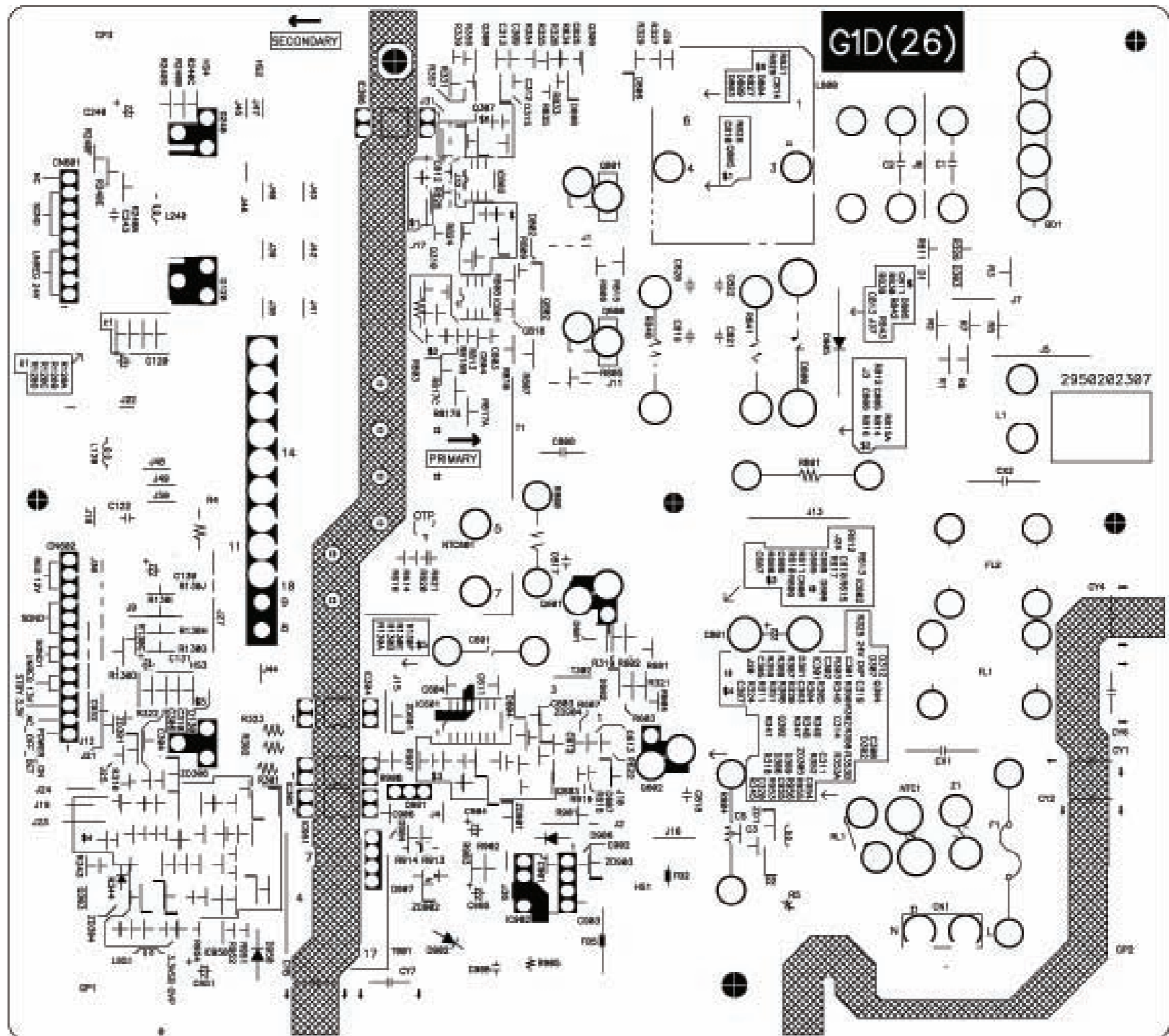


SN Label

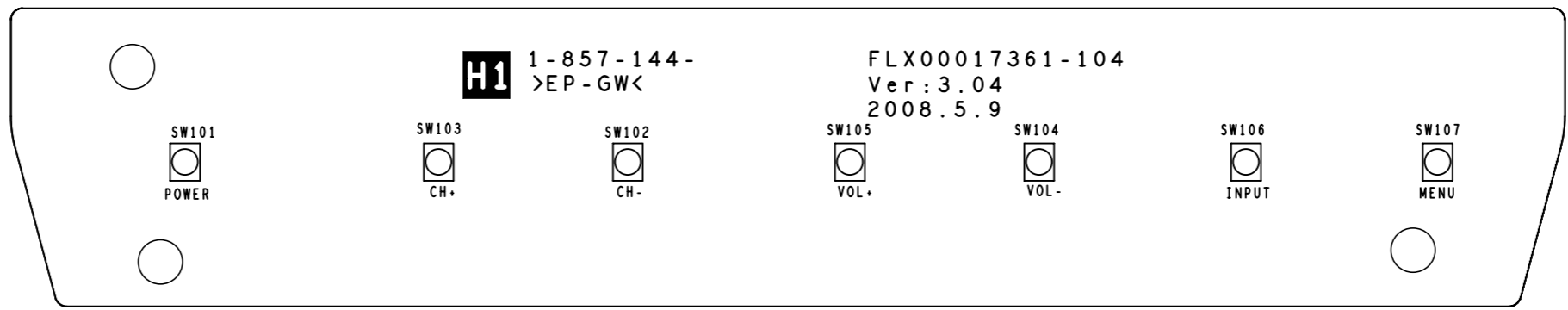




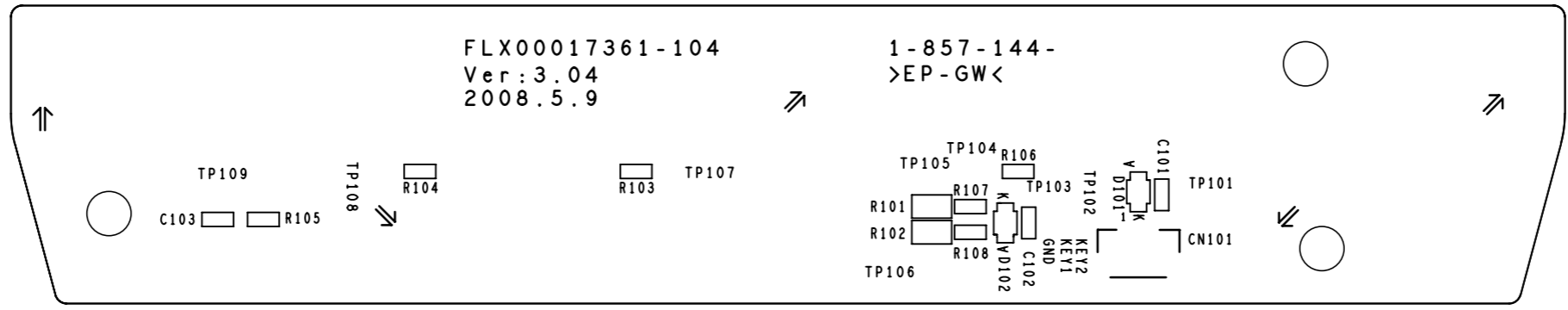
~ G1D Printed Wiring Board (26 inches) Side A ~



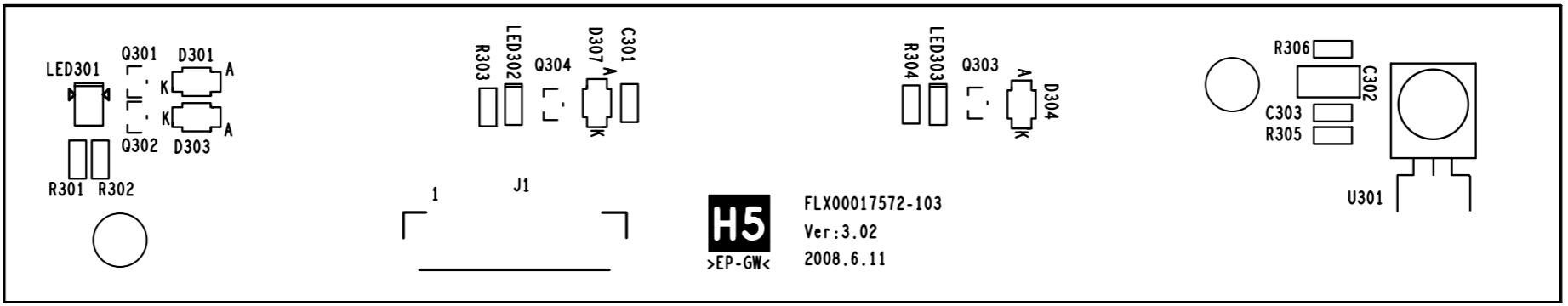
~ G1D Printed Wiring Board (26 inches) Side B ~



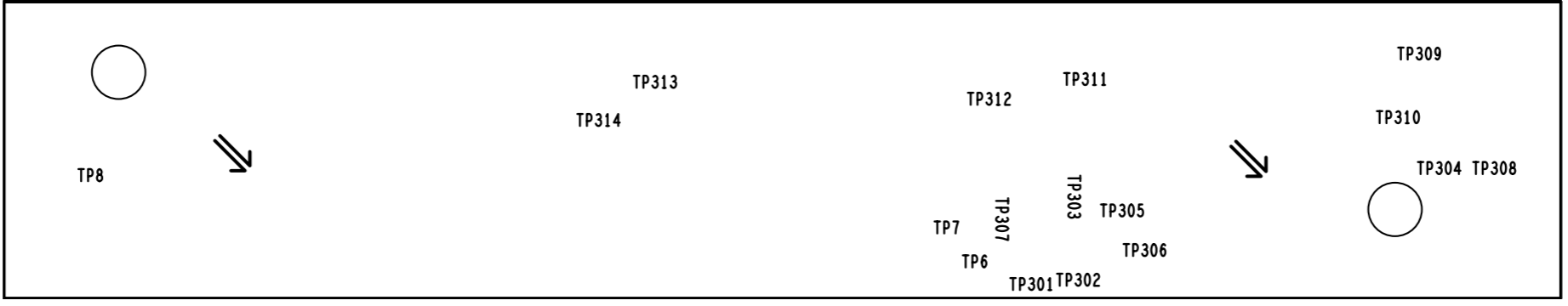
~ H1 Printed Wiring Board Side A ~



~ H1 Printed Wiring Board Side B ~



~ H5 Printed Wiring Board Side A ~



~ H5 Printed Wiring Board Side B ~

SECTION 5 EXPLODED VIEWS

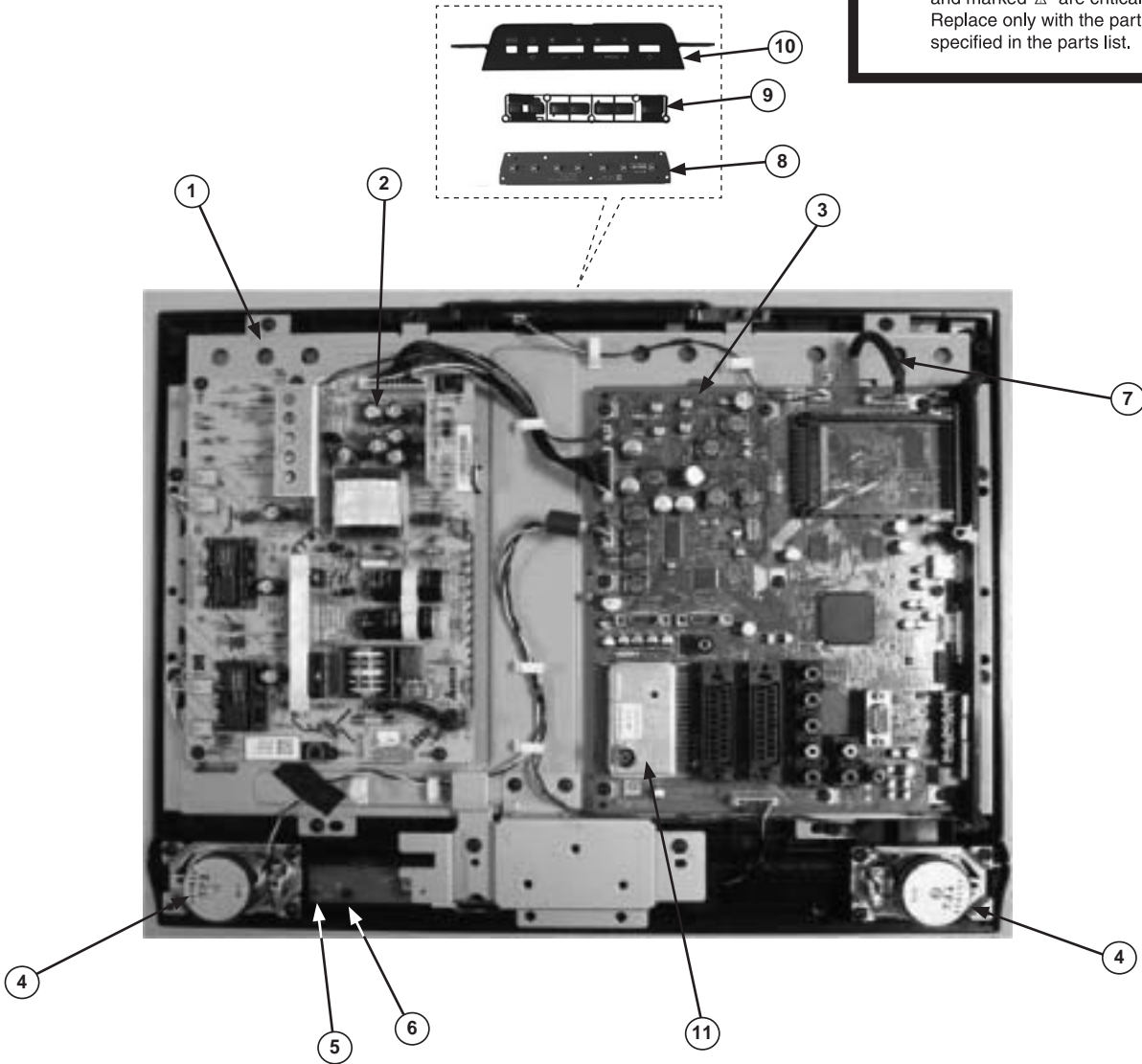
NOTE :

- Non-serviceable items with no part number and no description are not stocked because they are not required for routine service.
- The construction parts of an assembled part are indicated with a collation number in the remarks column.
- Items marked “*” are not stocked since they are seldom required for routine service. Some delay should be anticipated when ordering these items.

Note : Les composants identifiés par une trame et par une marque Δ sont d'une importance critique pour la sécurité. Ne les remplacer que par des pièces du numéro spécifié.

Note : The components identified by shading and marked Δ are critical for safety. Replace only with the part numbers specified in the parts list.

5-1a. CHASSIS (19 inches)



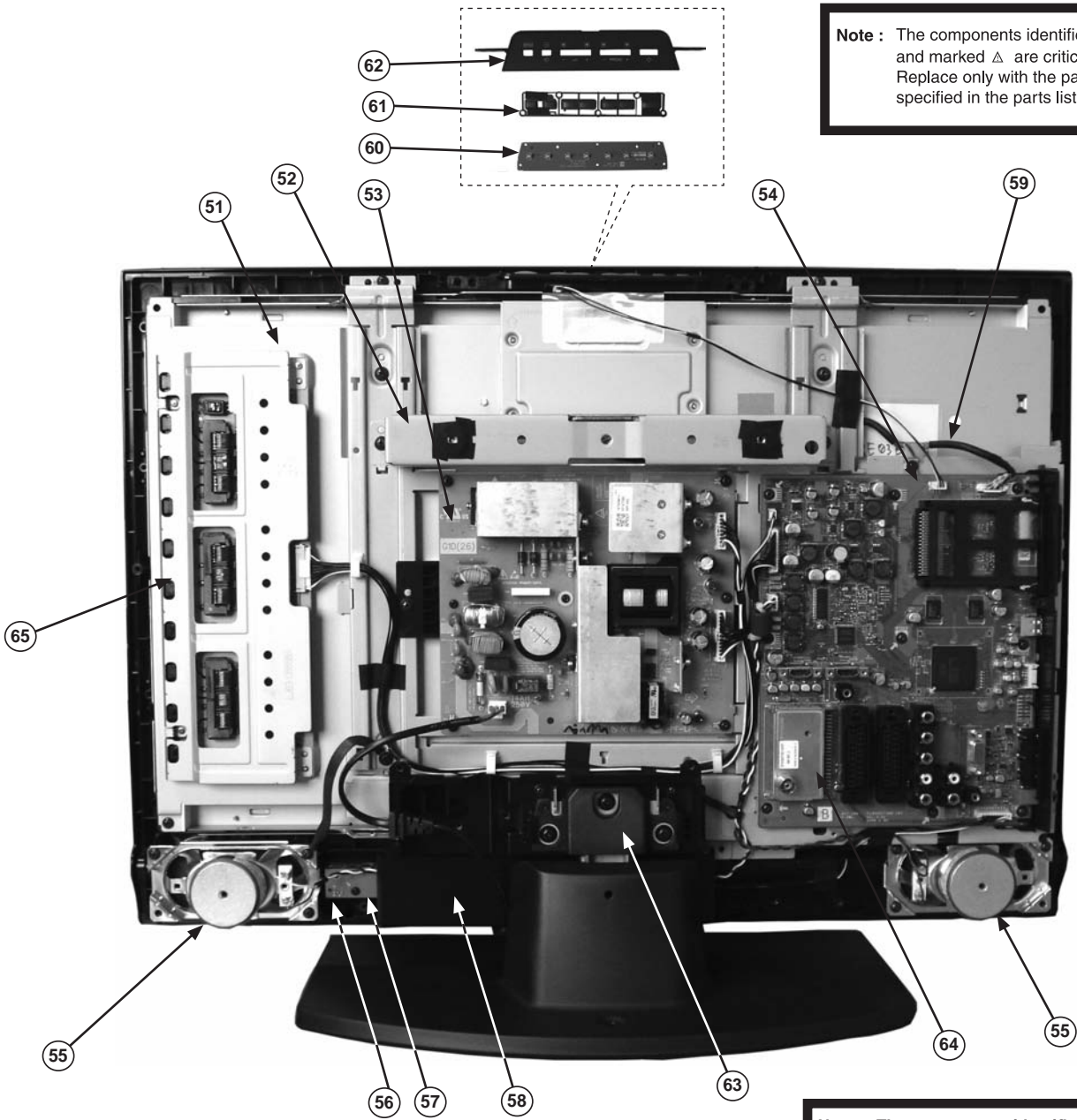
Note : The components identified by mark Δ contain confidential information. Strictly follow the instructions when ever the components are repaired and/or replaced.

REF.NO.	PART.NO	DESCRIPTION	REMARK	REF.NO.	PART.NO	DESCRIPTION	REMARK
1	Δ 1-802-705-11	LCD PANEL (19 INCH WXGA TFT)		7	1-910-048-93	CONNECTOR ASSY LVDS 19	
2	*1-857-172-11	MOUNTED PWB G (POWER)		8	*1-857-144-11	MOUNTED PWB H1 (KEY CONTROL)	
3	Δ *1-857-143-31	MOUNTED PWB B (MAIN)		9	4-107-337-01	BUTTON	
4	1-858-051-11	SPEAKER (7.5X4.1CM)		10	4-107-338-01	BRACKET BUTTON	
5	*1-857-171-11	MOUNTED PWB H5 (LED IR)		11	1-693-777-11	TUNER, ENG37E10KF	
6	4-111-499-01	GUIDE, LED					

5-1b. CHASSIS (26 inches)

Note : Les composants identifiés par une trame et par une marque Δ sont d'une importance critique pour la sécurité. Ne les remplacer que par des pièces du numéro spécifié.

Note : The components identified by shading and marked Δ are critical for safety. Replace only with the part numbers specified in the parts list.



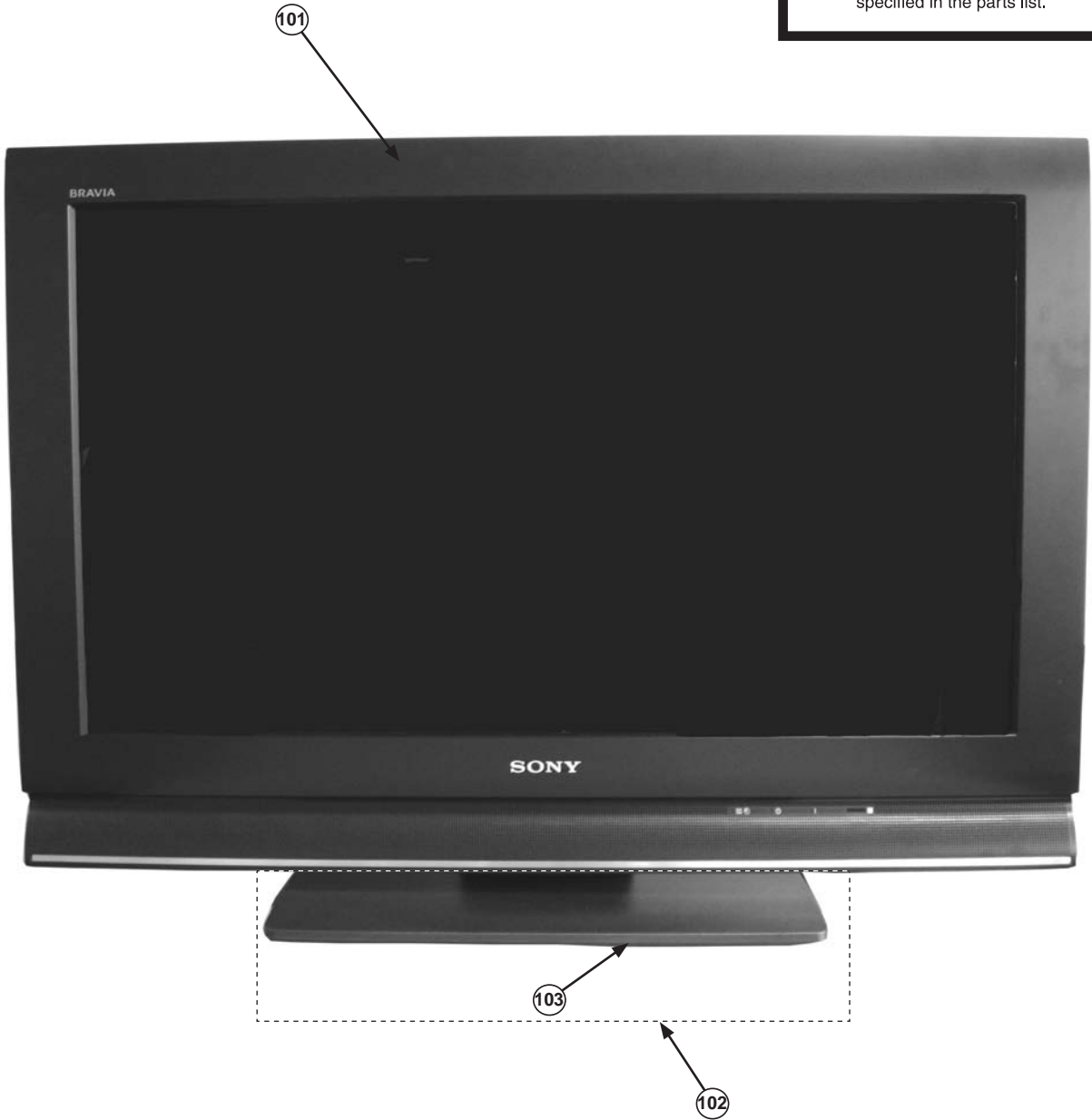
Note : The components identified by mark Δ contain confidential information. Strictly follow the instructions when ever the components are repaired and/or replaced.

REF.NO.	PART.NO	DESCRIPTION	REMARK	REF.NO.	PART.NO	DESCRIPTION	REMARK
51	Δ 1-802-706-11	LCD PANEL (26 INCH WXGA TFT)		59	1-910-048-92	CONNECTOR ASSY LVDS 26	
52	4-111-505-01	FRAME, VESA (TOP) (26)		60	*1-857-144-11	MOUNTED PWB H1 (KEY CONTROL)	
53	*1-474-096-11	POWER UNIT		61	4-107-337-01	BUTTON	
54	Δ *1-857-143-21	MOUNTED PWB B (MAIN)		62	4-107-338-01	BRACKET BUTTON	
55	1-858-053-11	SPEAKER (12X5.5CM)		63	*4-105-165-01	COVER, EDGE	
56	4-111-499-01	GUIDE, (LED)		64	1-693-777-11	TUNER, ENG37E10KF	
57	*1-857-171-11	MOUNTED PWB H5 (LED IR)		65	1-857-183-11	ETC-INVERTER MT BOARD	
58	4-111-502-01	COVER, UNDER (26)					

5-2. BEZEL & STAND ASSY

Note : Les composants identifiés par une trame et par une marque Δ sont d'une importance critique pour la sécurité. Ne les remplacer que par des pièces du numéro spécifié.

Note : The components identified by shading and marked Δ are critical for safety. Replace only with the part numbers specified in the parts list.

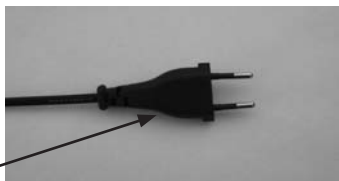
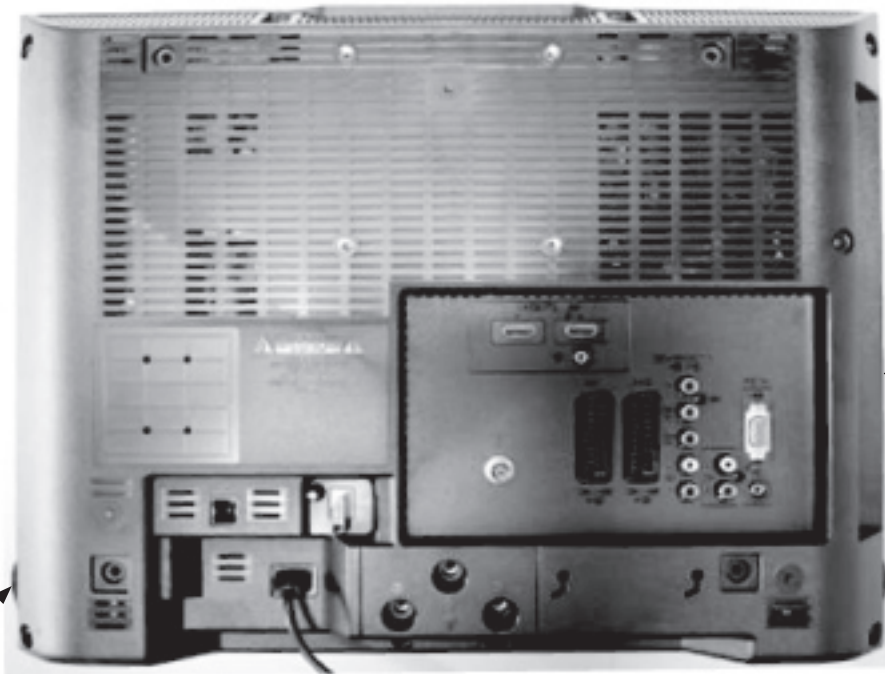
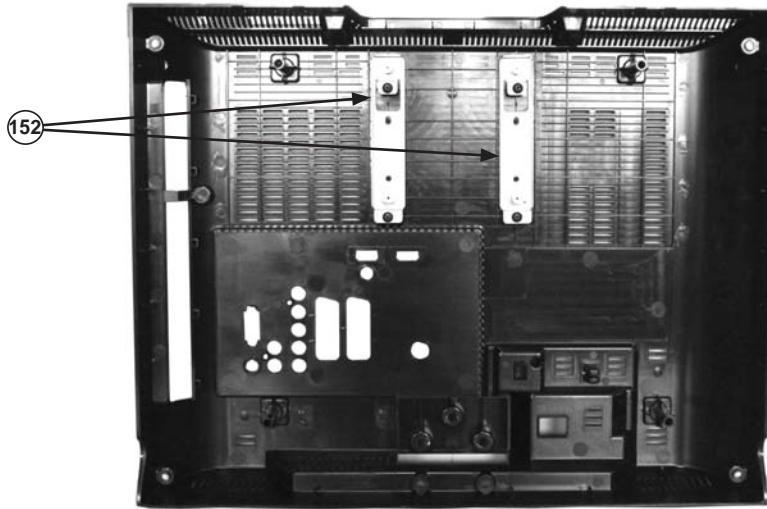


REF.NO.	PART.NO	DESCRIPTION	REMARK	REF.NO.	PART.NO	DESCRIPTION	REMARK
101	X-2320-586-1	BEZEL (19) ASSY (19 inches)					
	X-2320-584-1	BEZEL (26) ASSY (26 inches)					
102	X-2320-774-1	STAND ASSY (19 inches)					
	X-2319-144-1	STAND ASSY (26 inches)	103				
103	4-105-164-01	COVER, STAND (26 inches)					

5-3a. REAR COVER & POWER SUPPLY CORDS (19 inches)

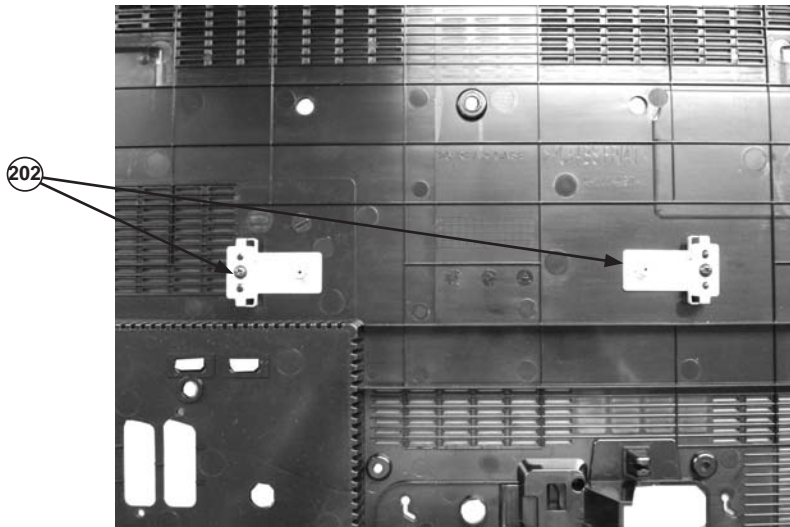
Note : Les composants indentifiés par une trame et par une marque Δ sont d'une importance critique pour la sécurité. Ne les remplacer que par des pièces du numéro spécifié.

Note : The components identified by shading and marked Δ are critical for safety. Replace only with the part numbers specified in the parts list.



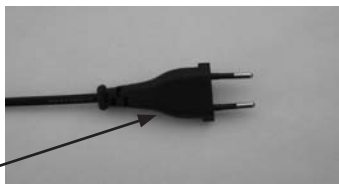
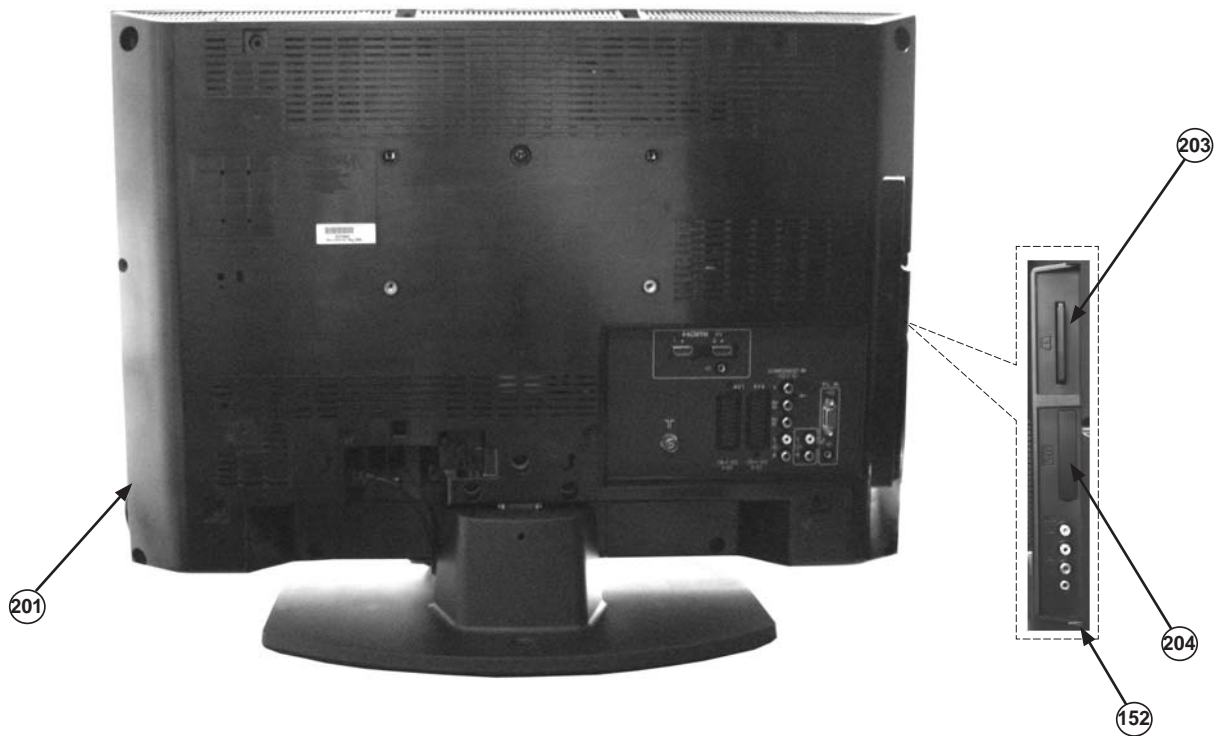
REF.NO.	PART.NO	DESCRIPTION	REMARK	REF.NO.	PART.NO	DESCRIPTION	REMARK
151	4-111-529-01	COVER, REAR (19)		154	Δ 1-835-571-11	POWER SUPPLY CORD (WITH CONNECTOR) (AEP)	
152	4-111-535-01	BRACKET,VESA (19)		155	Δ 1-835-572-11	POWER SUPPLY CORD (WITH CONNECTOR) (UK)	
153	4-111-533-01	TERMINAL, SIDE BRACKET (19)					
153	4-105-163-01	COVER,SERVICE					
153	*4-105-505-01	CARD,DUMMY PC					

5-3b. REAR COVER & POWER SUPPLY CORDS (26 inches)



Note : Les composants indentifiés par une trame et par une marque Δ sont d'une importance critique pour la sécurité. Ne les remplacer que par des pièces du numéro spécifié.

Note : The components identified by shading and marked Δ are critical for safety. Replace only with the part numbers specified in the parts list.



REF.NO.	PART.NO	DESCRIPTION	REMARK	REF.NO.	PART.NO	DESCRIPTION	REMARK
201	4-111-497-01	COVER, REAR (26)		205	Δ 1-835-571-11	POWER SUPPLY CORD (WITH CONNECTOR) (AEP)	
202	4-111-506-01	BRACKET, VESA (BTM) (26)		206	Δ 1-835-572-11	POWER SUPPLY CORD (WITH CONNECTOR) (UK)	
203	4-105-163-01	COVER, SERVICE					
204	*4-105-505-01	CARD, DUMMY PC					

REF.NO.	PART.NO	DESCRIPTION	REMARK	REF.NO.	PART.NO	DESCRIPTION	REMARK
---------	---------	-------------	--------	---------	---------	-------------	--------

ACCESSORIES AND CONNECTORS

- 1-910-048-93 CONNECTOR ASSY LVDS 19 (J3(B)-PANEL)
- 1-910-048-92 CONNECTOR ASSY LVDS 26 (J3(B)-PANEL)
- *4-117-469-11 INSTRUCTION MANUAL (GB) ENGLISH
- *4-117-469-21 INSTRUCTION MANUAL (WE) GERMAN/SPANISH/
FRENCH/GREEK/ITALIAN/DUTCH/PORTUGUESE
- *4-117-469-31 INSTRUCTION MANUAL (OIRT) DANISH/FINNISH/
ENGLISH/NORWEGIAN/POLISH/RUSSIAN/SWEDISH
- *4-117-469-41 INSTRUCTION MANUAL (OIRT) CZECH/HUNGARIAN/
SLOVAK/TURKISH

REMOTE COMMANDER

- 1-480-904-11 REMOTE COMMANDER (RM-ED014)

Note: Connector Harnesses (except the LVDS Connector Assy) are not serviceable parts in this model and so are not listed above.

