

Service Manual

ViewSonic VE710b/s-1

Model No. VLCDS27998-2W/-1W

17" Color TFT LCD Display

(VE710b/s_1_SM_736- Rev. 1a – Dec. 2003)

ViewSonic® 381 Brea Canyon Road, Walnut, California 91789 USA - (800) 888-8583

Copyright

Copyright © 2003 by ViewSonic Corporation. All rights reserved. No part of this publication may be reproduced, transmitted, transcribed, stored in a retrieval system, or translated into any language or computer language, in any form or by any means, electronic, mechanical, magnetic, optical, chemical, manual or otherwise, without the prior written permission of ViewSonic Corporation.

Disclaimer

ViewSonic makes no representations or warranties, either expressed or implied, with respect to the contents hereof and specifically disclaims any warranty of merchantability or fitness for any particular purpose. Further, ViewSonic reserves the right to revise this publication and to make changes from time to time in the contents hereof without obligation of ViewSonic to notify any person of such revision or changes.

Trademarks

Optiquest is a registered trademark of ViewSonic Corporation.
ViewSonic is a registered trademark of ViewSonic Corporation.
All other trademarks used within this document are the property of their respective owners.

Revision History

Revision	Date	Description Of Changes	Approval
1a	25/12/03	Initial Release DCN- 3742	Angela Luh

TABLE OF CONTENTS

1. Precautions and Safety Notices	1
2. Specification	2
3. Front Panel Function Control Description	3
4. Circuit Description	5
5. Adjusting Procedure	15
6. Trouble Shooting Flow Chart	18
7. Recommended Spare Parts List	20
8. Exploded Diagram And Spare Parts List	28
9. Block Diagram	32
10. Schematic Diagrams	33
11. PCB Layout Diagrams	42

1. Precaution & Safety Notice

WARNING!

This service information designed for experienced repair technicians only and is not designed for use by the general public.

It does not contain warnings or cautions to avoid non-technical individuals of potential dangers in attempting to service a product.

Products powered by electricity should be serviced or repaired only by experienced professional technicians. Any attempt to service or repair the product or products dealt within this service information by anyone else could result in serious injury or death.

1. Caution :

No modification of any circuit should be attempted . Service work should only be performed after you are thoroughly familiar with all of the following safety checks and servicing guide line.

2. Safety Check :

Care should be taken while servicing this LCD display. Because of the high voltage used in the inverter circuit. These voltage are exposed in such areas as the associated transformer circuits .

3. LEAKAGE CURRENT HOT CHECK

3-1 Plug the AC cord directly into the AC outlet. Do not use an isolation transformer during this check.

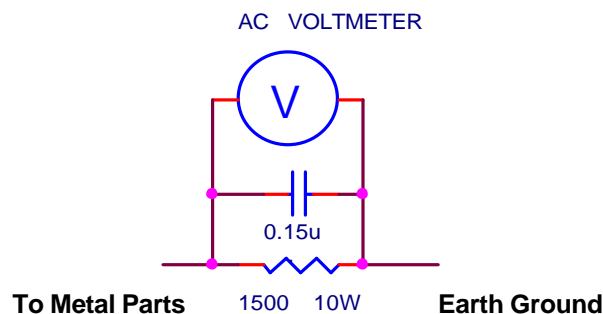
3-2 Connect a 1500 ohm , 10 watt resistor , paralleled by a 0.15uF capacitor between each metallic part and a good earth ground.

3-3 Use an AC voltmeter with 1000 ohm / volt or more sensitivity and measure the AC voltage across the combination 1500 ohm resistor and 0.15uF capacitor.

3-4 Move the resistor connection to each exposed metallic part and measure the voltage.

3-5 Reverse the polarity of the AC plug in the AC outlet and repeat the above measurement.

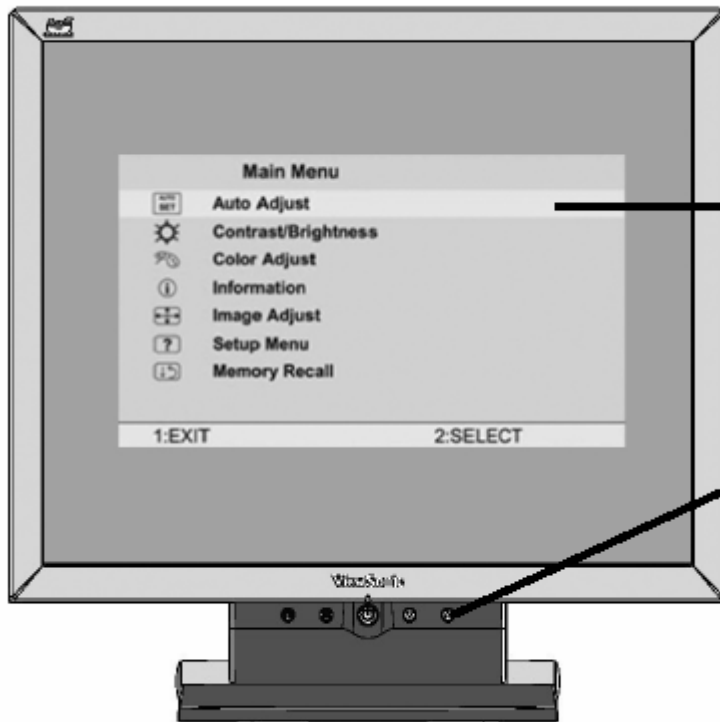
3-6 Voltage measured must not exceed 1.5 volt RMS, from any exposed metallic part to the ground. A leakage current tester may be used in the above hot check, in which case any circuit measured must not exceed 1.0 milliamp. In the case of a measurement exceeding the 1.0 milliamp value, a rework is required to eliminate the chance of a shock hazard .



2. Specification

Mechanical :	
Dimension (W x H x D) mm	
Set : a. with stand:	377.6 x 374 x 195.6 mm
b. Without stand:	377.6 x 311.8 x 56.9 mm
Slim bezel:	19.0 / 19.0 / 19.0/21.0
Base (L X W):	195.6 x 201 mm
Packing : (W x H x D) mm:	450 x 522 x 135 mm
Weight : Net / Gross (Kg):	4.1 / 5.2
Wall Mount (VESA):	100 x 100 mm
LCD Panel type:	CPT / CLAA170EA03
Max. resolution (HxV):	1280 x 1024
Nominal picture size (HxV):	338 mm x 270 mm
Display colors:	16.2 M (6 bit + dithering)
Dot pitch:	0.264 mm
Response time:	9 +16 / 25ms (Tr + Tf / typical)
Brightness (100% white):	Typical : 300 cd/m ² , Min. 240 cd/m ²
Contrast:	Typical : 450:1, Min. 360:1
Viewing angle:	70 / 70 /65 / 65 (L/R/T/B CR \geq 10)
Synchronization:	Fh = 30~80 KHz / Fv=50~85Hz
Presets:	18 timing modes
OSD Language:	9 languages
Color Temperatures RGB:	6500°K (default) / 9300°K 5400°K / User R,G,B
Plug & Play:	DDC1/2B interface
Scaler chip:	Mstar MST8116a
AC Power range:	90 V ~ 264 V, 50 Hz / 60 Hz
Power consumption:	< 45W green / < 1W amber (On / Off mode)

3. Front Panel Function Control Description



**Main Menu
With OSD controls**

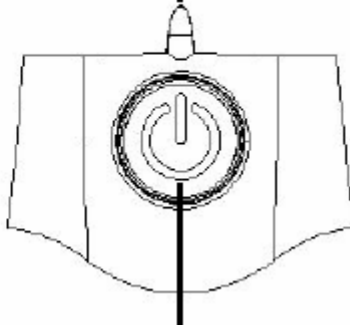
**Front Control Panel
shown below in detail**

Displays the control screen for the highlighted control. Also toggles between two controls on some screens. Also a shortcut to auto image adjust



Displays the Main Menu or exits the control screen and saves adjustments.

Power light
Green = ON
Orange = Power Saving



Power On / Off

Scrolls through menu options and adjusts the displayed control. Also a shortcut to display the Contrast adjustment control screen.



Main Menu Controls

Adjust the menu items shown below by using the up and down buttons.

- A. **Auto Image Adjust** automatically sizes, centers, and fine tunes the video signal to eliminate waviness and distortion. Press the [2] button to obtain a sharper image.

NOTE: Auto Image Adjust works with most common video cards. If this function does not work on your LCD display, then lower the video refresh rate to 60 Hz and set the resolution to its pre-set value.

- B. **Contrast adjusts** the difference between the image background (black level) and the foreground (white level).

- C. **Brightness adjusts** the lamps current to control the screen brightness.

- D. **Color Adjust** provides several color options: preset color temperatures and Custom User Color which allows you to adjust red (R), green (G), and blue (B). The factory setting for this product is 6500K (6500° Kelvin).

9300K — Adds blue to the screen image for cooler white (used in most office settings with fluorescent lighting).

5400K — Adds red to the screen image for warmer white and richer red.

Custom User Color — Individual adjustments for red, green, and blue.

1 To select color (R, G or B) press button [2].

2 To adjust selected color, press ▲ or ▼.

3 When you are finished making all color adjustments, press button [1] twice.

- E. **Information** displays the timing mode (video signal input) coming from the graphics card in your computer. See your graphic card's user guide for instructions on changing the resolution and refresh rate (vertical frequency). VESA 1280 x 1024 @ 60 Hz (recommended) means that the resolution is 1280 x 1024 and the refresh rate is 60 Hertz.

- F. **Manual Image Adjust** controls are explained below:

H. Size (Horizontal Size) adjusts the width of the screen image.

NOTE: Vertical size is automatic with your LCD display.

H./V. Position adjusts horizontal and vertical position of the screen image. You can toggle between Horizontal and Vertical by pressing button [2]. Horizontal moves the screen image to the left or to the right. Vertical moves the screen image up and down.

Fine Tune sharpens focus by aligning the illuminated text and/or graphic characters.

Sharpness adjusts the clarity and focus of the screen image.

Setup Menu controls are explained below:

Language allows you to choose the language used in the menus and control screens.

Resolution Notice displays the recommended resolution for this LCD display.

Enable allows the Resolution Notice to appear on-screen.

Disable will not allow the Resolution Notice to appear on-screen.

OSD Timeout sets the length of time an on-screen display screen is displayed. For example, with a "15 second" setting, if a control is not pushed within 15 seconds, the display OSD disappears.

- G. **OSD Position** allows you to move the on-screen display menus and control screens.

- H. **Memory Recall** returns adjustments to the original factory settings if the display is operating in a factory Preset Timing Mode listed in this user guide.

4. Circuit Description

4-1. Outline

POWER On/Off , LED, Button"2" , Up arrow- button , Down arrow button , Button"1" , button , Down arrow button , Button"1" , on the front panel.

Video signal connector, audio line-in receptacle and AC-IN are located on the back side of the cabinet.

- OSD menu includes the following function;

AUTO IMAGE ADJUST

CONTRAST / BRIGHTNESS

COLOR ADJUST

INFORMATION

MANUAL IMAGE ADJUST

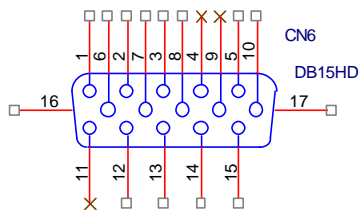
SETUP MENU

MEMORY RECALL

- CONTRAST and BRIGHTNESS can be directly controlled with UP / DN key.

4-2. CONNECTORS

- AC inlet : CEE22 typed connector
- Video signal connector 15P Mini D-Sub



PIN	MNEMONI	SIGNAL
1	RV	Red Video
2	GV	Green Video
3	BV	Blue Video
4	NC	None
5	GND	Ground(DDC return)
6	RG	Red GND
7	GG	Green GND
8	BG	Blue GND
9	+5V	+ 5V (for DDC)
10	SG	Sync GND
11	NC	None
12	SDA	DDC Data
13	HS	Horizontal Sync
14	VS	Vertical Sync
15	SCL	DDC Clock

4-3. ELECTRICAL SPECIFICATIONS

- **Standard conditions**

Display Area	338 x 270 mm
Video Signal	0.7 Vpp
Contrast	Max.
Brightness	Max.
Ambient	20 +/- 5 °C
Input	AC
Warming up	> 30 min
Display	1280 x 1024

- **POWER**

- Power supply

Input Voltage	90 -240 ~Volts
Power Frequency	50/ 60 Hz +/-3Hz
Input current	<1.5Arms @ 90Vac <0.75Arms@265Vac
Inrush current	90A(max.) at 230Vac
Power consumption	50Watt
Output Voltage	@0-4.8A load 12Vdc +/-5%

- Power Management

State	Power	Indicator
On	45Watt	Green
Standby	<1Watt	Amber
Off	<1Watt	

- **Acceptable timing**

If your timing is within following specification, this LCD display can automatically function with a certain position.

Horizontal: Sync frequency : 30~80 kHz

Vertical: Sync frequency : 50~85Hz

- **Signal level and input impedance**

- Video Signal level This LCD display is adjusted at the factory using 0,7 Vp-p Video signal.

- Sync Signal level

H/V Separate : TTL level

- Input impedance

Video input : 75 ohms

Sync input : > 1 k ohms

4-4. SIGNAL CABLE : Non-detachable cable with Mini D-Sub 15P connector at one end. Length : 1.8 meter.

4-5. EDID data

Analog EDID

Time: 09:08:54

Date: Wed Sep 04, 2002

VIEWSONIC CORPORATION
EDID Version # 1, Revision # 3
DDCTest For: VSC VE710s

0		00	FF	FF	FF	FF	FF	FF	00	5A	63
10		18	F5	01	01	01	01	01	0D	01	03
20		08	22	1B	78	2E	04	A5	A3	58	4F
30		95	24	19	50	54	BF	EF	80	81	80
40		81	40	71	4F	01	01	01	01	01	01
50		01	01	01	01	30	2A	00	98	51	00
60		2A	40	30	70	13	00	52	0E	11	00
70		00	1E	00	00	00	FF	00	41	33	33
80		30	33	30	31	30	30	30	30	31	0A
90		00	00	00	FD	00	32	4B	1E	50	0E
100		00	0A	20	20	20	20	20	20	00	00
110		00	FC	00	56	45	37	31	30	73	0A
120		20	20	20	20	20	20	00	98		

- (08-09) ID Manufacturer Name = VSC
- (10-11) Product ID Code (Non-Alphanumeric) = F518
- (12-15) Last 5 Digits of Serial Number = NOT SPECIFIED
- (16) Week of Manufacture = 01
- (17) Year of Manufacture = 2003
- (10-17) Complete Serial Number = NOT SPECIFIED
- (18) EDID Structure Version Number = 1
- (19) EDID Structure Revision Number = 3
- (20) VIDEO INPUT DEFINITION : =
Separate Sync, Analog signal, 0.700V/0.300V (1.000 Vp-p)
- (21) Maximum Horizontal Image Size = 340mm
- (22) Maximum Vertical Image Size = 270mm
- (23) Display Gamma = 2.20
- (24) DPMS Supported Feature: = Active Off.
Display type = RGB color display
- (25-34) CHROMA INFO:
Red x = 0.633 Green x = 0.300 Blue x = 0.146 White x = 0.313
Red y = 0.336 Green y = 0.586 Blue y = 0.103 White y = 0.329

- (35) ESTABLISHED TIMING I:
- 720 x 400 @ 70Hz (VGA, IBM)
 - 640 x 480 @ 60Hz (MAC II, Apple)
 - 640 x 480 @ 67Hz (VESA)
 - 640 x 480 @ 72Hz (VESA)
 - 640 x 480 @ 75Hz (VESA)
 - 800 x 600 @ 56Hz (VESA)
 - 800 x 600 @ 60Hz (VESA)

- (36) ESTABLISHED TIMING II:
- 800 x 600 @ 72Hz (VESA)
 - 800 x 600 @ 75Hz (VESA)
 - 832 x 624 @ 75Hz (MAC II, Apple)
 - 1024 x 768 @ 60Hz (VESA)
 - 1024 x 768 @ 70Hz (VESA)
 - 1024 x 768 @ 75Hz (VESA)
 - 1280 x 1024 @ 75Hz (VESA)

- (37) Manufacturer's Reserved Timing:
- 1152 x 870 @ 75Hz (MAC II, Apple)

- (38-53) Standard Timing Identification:
- #1: 1280 x 1024 @60Hz
 - #2: 1280 X 960 @60HZ
 - #3: 1152 X 864 @75HZ
 - #4: (44) not specified
 - #5: (46) not specified
 - #6: (48) not specified
 - #7: (50) not specified
 - #8: (52) not specified

- (54-71) Detail Timing Description #1: 1280x1024 Pixel Clock=108.0MHz

Horizontal Image Size=338mm Vertical Image Size=270mm

Refresh Mode: Non-Interlaced Normal display, no stereo

HORIZONTAL:

Active Time = 1280 pixels	Blanking Time = 408 pixels
Sync Offset = 48 pixels	Sync Pulse Width = 112 pixels
Border = 1 pixels	Frequency = 64.0 kHz

VERTICAL:

Active Time = 1024 lines	Blanking Time = 42 lines
Sync Offset = 1 lines	Sync Pulse Width = 3 lines
Border = 0 lines	Frequency = 60.0 Hz

Sync configuration: Digital separate, V(+), H(+)

- (72-89) Monitor Description:
 Monitor S/N: A33030100001
- (90-107) Monitor Description:
 Monitor Range Limits:
 Vertical Frequency (min) = 50Hz
 Vertical Frequency (max) = 75Hz
 Horizontal Frequency (min) = 30Hz
 Horizontal Frequency (max) = 82Hz
 Maximum Supported Pixel Clock = 140MHz
 SECONDARY GTF - NOT SUPPORTED
- (108-125) Monitor Description:
 Monitor Name: VE710s
- (127) Checksum OK

Time: 14:35:05
 Date: Thu Jul 03, 2003

VIEWSONIC CORPORATION
 EDID Version # 1, Revision # 3
 DDCTest For: ViewSonic VE710b

128 BYTES OF EDID CODE:

	0	1	2	3	4	5	6	7	8	9
0	00	FF	FF	FF	FF	FF	FF	00	5A	63
10	18	F6	01	01	01	01	01	0D	01	03
20	08	22	1B	78	2E	04	A5	A3	58	4F
30	95	24	19	50	54	BF	EF	80	81	80
40	81	40	71	4F	01	01	01	01	01	01
50	01	01	01	01	30	2A	00	98	51	00
60	2A	40	30	70	13	00	52	0E	11	00
70	00	1E	00	00	00	FF	00	41	33	34
80	30	33	30	31	30	30	30	30	31	0A
90	00	00	00	FD	00	32	4B	1E	50	0E
100	00	0A	20	20	20	20	20	20	00	00
110	00	FC	00	56	45	37	31	30	62	0A
120	20	20	20	20	20	20	00	A7		

- (08-09) ID Manufacturer Name = VSC
- (11-10) Product ID Code = F618
- (12-15) Last 5 Digits of Serial Number = Not Used
- (16) Week of Manufacture = 01
- (17) Year of Manufacture = 2003
- (10-17) Complete Serial Number = See Descriptor Block
- (18) EDID Version Number = 1
- (19) EDID Revision Number = 3
- (20) VIDEOINPUT DEFINITION:
Separate Syncs, Analog signal, 0.700V/0.300V(1.000 Vp-p)
- (21) Maximum Horizontal Image Size = 340 mm
- (22) Maximum Vertical Image Size = 270 mm
- (23) Display Gamma = 2.20
- (24) Power Management and Supported Feature(s):
Active Off/Very Low Power, Standard Default Color Space,
Preferred Timing Mode
Display Type = R/G/B Color
- (25-34) CHROMA INFO:
Red X - 0.637 Green X - 0.310 Blue X - 0.143 White X - 0.313
Red Y - 0.344 Green Y - 0.582 Blue Y - 0.100 White Y - 0.329
- (35) ESTABLISHED TIMING I:
720 X 400 @ 70Hz (IBM,VGA)
640 X 480 @ 60Hz (IBM,VGA)
640 X 480 @ 67Hz (Apple,Mac II)
640 X 480 @ 72Hz (VESA)
640 X 480 @ 75Hz (VESA)
800 X 600 @ 56Hz (VESA)
800 X 600 @ 60Hz (VESA)
- (36) ESTABLISHED TIMING II:
800 X 600 @ 72Hz (VESA)
800 X 600 @ 75Hz (VESA)
832 X 624 @ 75Hz (Apple,Mac II)
1024 X 768 @ 60Hz (VESA)
1024 X 768 @ 70Hz (VESA)
1024 X 768 @ 75Hz (VESA)
1280 X 1024 @ 75Hz (VESA)
- (37) Manufacturer's Reserved Timing:
1152 X 870 @ 75Hz (Apple,Mac II)

(38-53) Standard Timing Identification:

1280 X 1024 @60Hz

1280 X 960 @60Hz

1152 X 864 @75Hz

Not Used

Not Used

Not Used

Not Used

Not Used

(54-71) Detailed Timing / Descriptor Block 1: 1280x1024 Pixel Clock: 108.00 MHz

Horizontal Image Size: 338 mm

Vertical Image Size: 270 mm

Refreshed Mode: Non-Interlaced

Normal Display - No Stereo

Horizontal:

Active Time: 1280 pixels

Blanking Time: 408 pixels

Sync Offset: 48 pixels

Sync Pulse Width: 112 pixels

Border: 0 pixels

Frequency: 63.98 KHz

Vertical:

Active Time: 1024 lines

Blanking Time: 42 lines

Sync Offset: 1 lines

Sync Pulse Width: 3 lines

Border: 0 lines

Frequency: 60.02 Hz

Digital Separate, Horizontal Polarity (+) Vertical Polarity (+)

(72-89) Detailed Timing / Descriptor Block 2:

Monitor Serial Number:

A34030100001

(90-107) Detailed Timing / Descriptor Block 3:

Monitor Range Limits:

Min Vertical Freq - 50 Hz

Max Vertical Freq - 75 Hz

Min Horiz. Freq - 30 KHz

Max Horiz. Freq - 80 KHz

Pixel Clock - 140 MHz

Secondary GTF - Not Supported

(108-125) Detailed Timing / Descriptor Block 4:

Monitor Name :

VE710b

(126) No Extension EDID Block(s)

(127) CheckSum OK

4-6. THEORY OF OPERATION

This section describes the function of the LCD monitor per functional block.

This monitor includes MB board, inverter board, adapter and button board.

- **MB Board**

The MB board is a four-layer, single-landed design with ground and internal planes provided. DC power from the power adapter enter the board through DC jack. Other connectors on the board are for inverter, audio and button board .The VGA cable is a signal cable that contains video signal, sync signal and DDC signal from PC VGA adapter. This system board consists of 4 functional areas : flat panel controller, flash ROM , power regulator and Audio amplifier

- **Flat panel controller... MST8116A(U3)**

The heart of the system board is mstar MST8116A. The MST8116A is a graphics processing IC for LCD monitor. It provides all key IC functions required for LCD panel. On-chip functions include a high-speed triple-ADC , PLL, high scaling engine, OSD controller and on-chip micro controller.

- a) **Clock Generation :**

Crystal Input Clock (TCLK and XTAL). This is the input pair to an internal crystal oscillator and corresponding logic. A 14.318 MHz crystal is recommended.

- b) **Analog to Digital Converter:**

The MST8116A chip has three ADC's (analog-to-digital converters), one for each color (red, green and blue) .The analog RGB signals are connected to MST8116A as described below

Pin Name	Pin Number
Red +	63
Red -	62
Green +	60
Green -	59
Blue +	58
Blue -	57

- c) **OSD :** The MST8116A has a fully programmable ,high-quality OSD controller. The on-chip static RAM(4096 words by 24 bits) stores the cell map and the cell definitions.

- d) **MTV312 Micro controller:** The MTV312 micro controller(MCU) serves as the system micro controller. It programs the MST8116A and manages other devices in the system such as the keypad, the backlight, LED, audio and non-volatile RAM. using general purpose input/output (GPIO) pins.

Pin number	Pin Name	Pin Number Usage
21	P1.3	Key / Power on ,off
13	P3.4	NV_RAM (U4) SDA
14	P3.5	NV_RAM (U4) SCL
25	P1.7	Key_down
9	P6.3	Key_right
24	P1.6	Key_up
16	P6.2	Key_left
37	P4.1	Key_mute
34	P5.6	VGA connector
23	P1.5	Key_select
42	P5.3	LED_red
41	P5.4	LED_green
32	P6.6	LCD panel power1 on / off control
3	P5.0	LCD panel power2 on / off control
36	P4.0	Backlight on / off control

- e) Panel Power Sequencing (VDDCTRL1, 2) (Pin 32, 3) : The MTV312 has two dedicated outputs VDDCTRL1 and 2 (Pin32 and Pin3) to control LCD power sequencing once data and control signals are stable.
- f) Panel interface (Pin 1~25, Pin75~128) : The MTV312 driver interface is highly programmable. It supports dual bus / dual port for SXGA drivers.

• **Power Regulator MC34063A (U6),AIC1739 (Q4) :**

The MC34063A is a monolithic control IC containing the primary functions required for DC to DC internal temperature converters. The device consists of an compensated reference, comparator, controlled duty cycle. Oscillator with an active current sense circuit. Desired output voltage are determined by the equation, $Volt = 1.25 (1 + R67 / R66)$, In this case, the output voltage are 3.3 Volts

The AIC1739 is a low dropout positive adjustable regulator with minimum of 300mA output current capability. So it is well suited for 3.3 V and 2.5 V Regulator.

4-7 Power/Inverter Board

This is a specific power/inverter for L7VC monitor 50W 12V 4.16A output power and backlight which converts 12 Vdc to drive four cold cathode fluorescence tubes.

• **Inverter Electrical specification described as below**

Input	Rated Input Voltage	12Vdc
	Input Voltage Range	11.4 ~ 12.6 Vdc
	Input Current	<2A
	Off state Input Power	<0.1W
	On / Off control Voltage	2~3.3 for on , 0~1 for off
Output	Rated Output Strike-on Voltage	1500Vrms
	Rated Output Voltage	710Vrms at 6mA
	Rate Output Frequency	40~50KHz
	Rated Ourput Current	6~7 mA

- **Power**

This is a general purpose AC / DC adapter which converter 90~240 Vac to a stabilized DC voltage 12 V with rated output current of 4.16A . Electrical specification described as below.

	Rated Input Voltage	90~240 Vac , 50 / 60Hz
	Operation Input Voltage	90~260 Vac , 47 ~ 63Hz
	Input Current	<1.5 A
	Inrush Current	<100A@120Vac
	Standby Input Voltage	12Vdc
	Output Voltage Regulation	+/-5%
	Output Ripple & Noise	120mVp-p
	Rate Output Current	<4.16A
	Turn-on delay	<3secs

5. Adjusting Procedure

OSD Function Menu

1. Main Menu

Press “1” Button (Menu Button) to enter Main Menu:

Press Up Button to the previous page or Down Button to the next page .

Press “1” Button to exit Main Menu.

(1) Auto Image Adjust Page:

Press “2” Button to do auto image adjust function.

Press “1” Button to exit the page.

(2) Contrast/Brightnes Page:

Press “2” Button to enter Contrast Item

Press “1” Button to exit the page.

1) Contrast Item

Press Up Button to make contrast high.

Press Down Button to make contrast low.

Press “2” Button to enter Brightness Item.

Press “1” Button to exit the item.

2) Brightness Item

Press Up Button to make brightness high.

Press Down Button to make brightness low.

Press “2” Button to enter Contrast Item.

Press “1” Button to exit the item.

(3) Color Adjust Page:

Press “2” Button to enter Color Adjust page.

Press “1” Button to exit the page.

Press Up Button to the previous item or Down Button to the next item.

1) sRGB Item

2) 9300K Item

3) 6500K Item

4) 5400K Item

Press “2” Button to select current Item.

Press “1” Button to exit current item.

5) User Color Item

Press “2” Button to enter User Color item.

Press “1” Button to exit User Color item.

Red,Green,Blue Options:

Press “2” Button to switch among the options.

Press “1” Button to exit the options.

Press Up Button to make current option high.

Press Down Button to make current option low.

(4) Information Page:

Press “2” Button to show the information.

Press “1” Button to exit Information page.

(5) Manual Image Adjust Page:

Press “2” Button to enter Manual Image Adjust page.

Press “1” Button to exit Manual Image Adjust page.

Press Up Button to the previous item or Down Button to the next item.

1) H./V. Position Item

Press “2” Button to enter H./V. Position item.

Press “1” Button to exit H./V. Position item.

a) Horizontal Position Option:

Press “2” Button to enter the Vertical Position option.

Press “1” Button to exit Horizontal Position option.

Press Up Button to make current option high.

Press Down Button to make current option low

b) Vertical Position Option:

Press “2” Button to enter the Horizontal Position option.

Press “1” Button to exit Vertical Position option.

Press Up Button to make current option high.

Press Down Button to make current option low

2) Horizontal Size Item

Press “2” Button to enter Horizontal Size item.

Press “1” Button to exit Horizontal Size item.

Press Up Button to make current item high.

Press Down Button to make current item low.

3) Fine tune Item

Press “2” Button to enter Fine tune item.

Press “1” Button to exit Fine tune item.

Press Up Button to make current item high.

Press Down Button to make current item low.

4) Sharpness Item

Press “2” Button to enter Sharpness item.

Press “1” Button to exit Sharpness item.

Press Up Button to make current item high.

Press Down Button to make current item low.

(6) Setup Menu Page:

Press “2” Button to enter Setup Menu page.

Press “1” Button to exit Setup Menu page.

Press Up Button to the previous item or Down Button to the next item.

1) Language Select Item

Press “2” Button to enter Language Select item.

Press “1” Button to exit Language Select item.

Press Up Button to the previous option or Down Button to the next option.

English, French Option

Press “2” Button to select the language.

Press “1” Button to exit the option.

2) Resolution Notice Item

Press “2” Button to enter Resolution Notice item.

Press “1” Button to exit Resolution Notice item.

Enable,Disable Option

Press “2” Button to select the option.

Press “1” Button to exit the option

Press Up Button to the previous option or Down Button to the next option.

3) OSD Position Item

Press “2” Button to enter OSD Position item.

Press “1” Button to exit OSD Position item.

a) Horizontal Position Option

Press “2” Button to enter the Vertical Position option.

Press “1” Button to exit Horizontal Position option.

Press Up Button to make current option high.

Press Down Button to make current option low

b) Vertical Position Option:

Press “2” Button to enter the Horizontal Position option.

Press “1” Button to exit Vertical Position option.

Press Up Button to make current option high.

Press Down Button to make current option low

4) OSD Time Out Item

Press “2” Button to enter OSD Time Out item.

Press “1” Button to exit OSD Time Out item.

Press Up Button to make OSD time out long.

Press Down Button to make OSD time out short.

5) OSD Background Item

Press “2” Button to enter OSD Background item.

Press “1” Button to exit OSD Background item.

Enable,Disable Option

Press “2” Button to select the option.

Press “1” Button to exit the option.

Press Up Button to the previous option or Down Button to the next option.

(7) Memory Recall Page

Press “2” Button to do the memory recall function.

Press “1” Button to exit the page.

2. Other Menu:

(1) Contrast Dialog

Press Down Button to enter the Contrast Dialog.

Press “1” Button to exit the Contrast Dialog.

Press “2” Button to enter the Brightness Dialog.

Press Up Button to make contrast high.

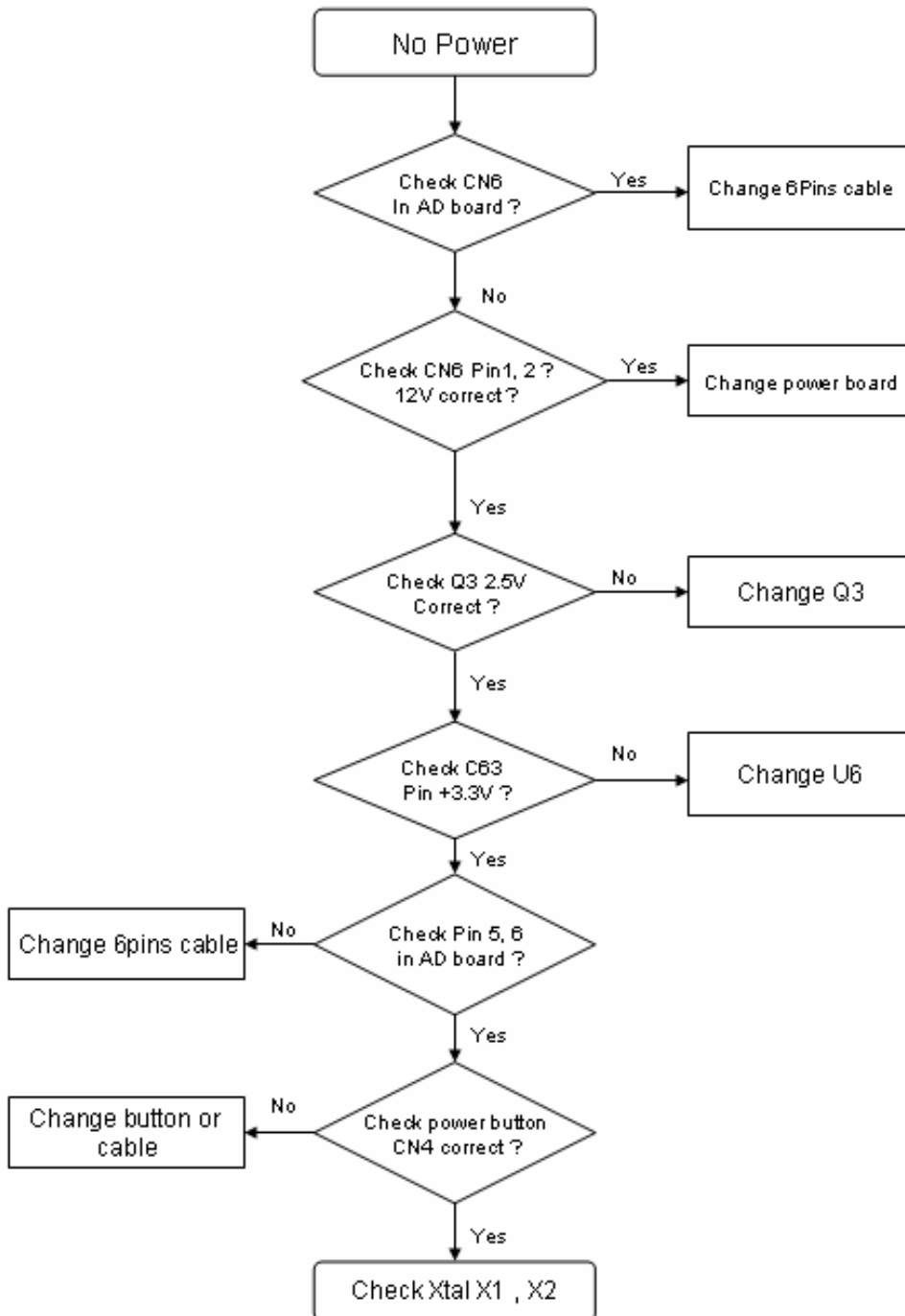
Press Down Button to make contrast low.

(2) Auto Image Adjust Dialog

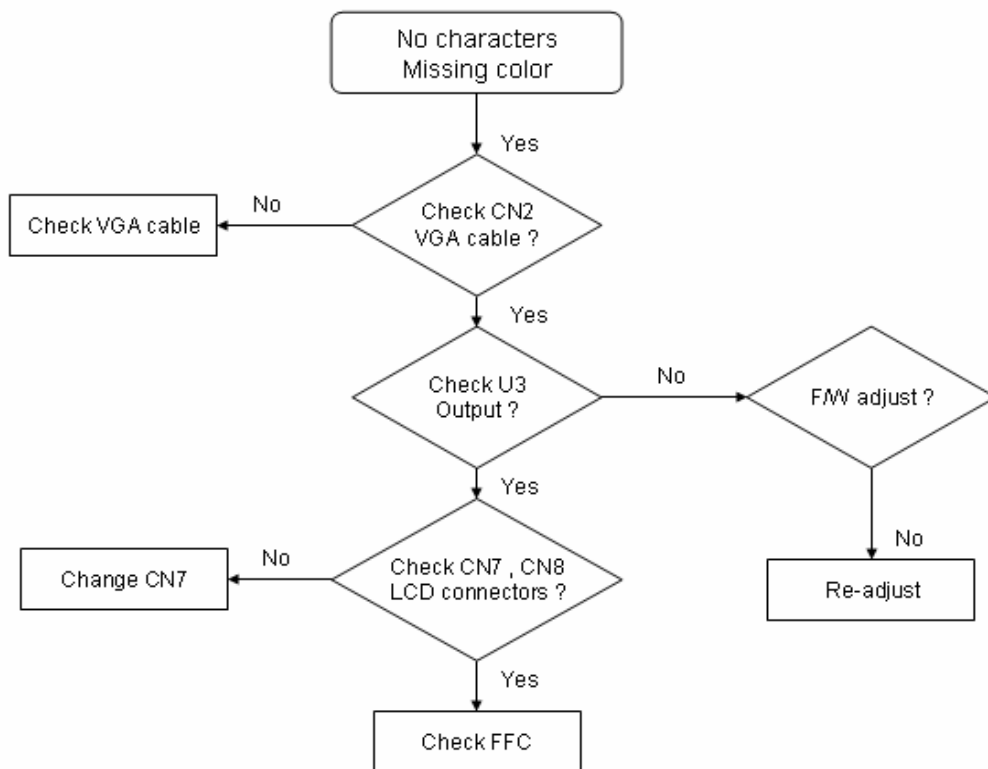
Press “2” Button to do the auto image adjust function.

6. Trouble Shooting Flow Charts

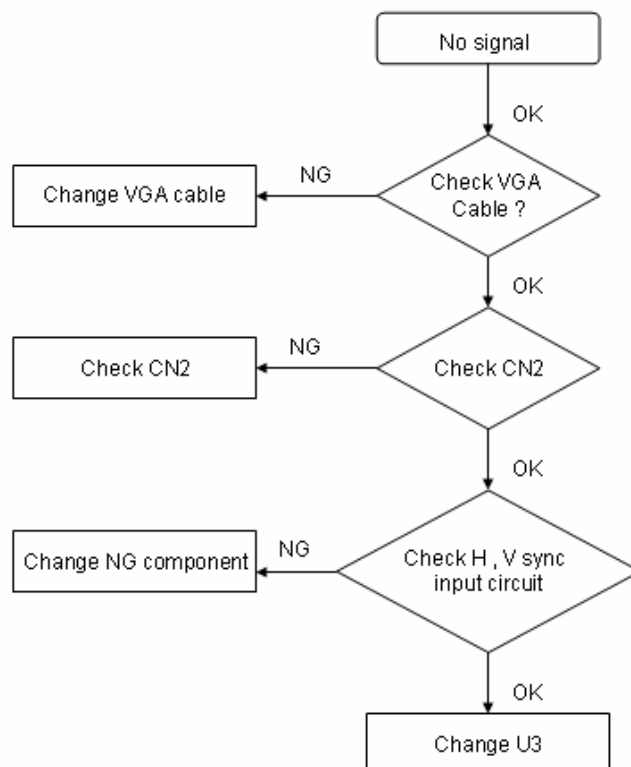
6-1. No Power



6-2. No Characters , Missing Color



6-3 Always show NO SIGNAL



7. Recommended Spare Parts List

VE710b-1 Recommended Spare Parts List

Item	ViewSonic P/N	Ref. P/N	Description	Location	Q'ty
1	B-MB-0201-2726	29L7VMB0000	Main Board	Scaler board	1
2	B-SB-0221-0595	AS02B012009	Power board	power board / inverter	1
3	P-BX-0601-0933	HFL7V006019	Carton	carton	1
4	P-FM-0602-0840	HBL7V005019	Polyform (L)	end cap(L)	1
5	P-FM-0602-0841	HBL7V006015	Polyform (R)	end cap(R)	1
6	M-MS-0808-7710	HAL7E002013	PE bag	PE bag	1
7	M-LB-0813-0918	HCL7V017018	ID label	ID label on carton	1
8	A-CD-VE710B	HGL7V005013	CD wizard	CD + user menu	1
9	C-BC-0302-0570	37L7VFBVS38	Rear enclosure	monitor back cover	1
10	C-BC-0302-0570	33L7VFBVS29	Front enclosure	Monitor front bezel	1
11	C-BS-0303-0506	26L7VSAVS17	Base	Base ass'y	1
12	M-SCW-0824-6797	MF40080BJ29	Screw (To assembly the cabinet)	Screw	3
13	M-SCW-0824-6798	MM30080BBJ2	Screw (To assembly the cabinet)	Screw	1
14	M-SCW-0824-6799	MM35080BBW2	Screw (To assembly the cabinet)	Screw	1
15	M-SCW-0824-6800	MM30060IBJ8	Screw (To assembly the cabinet)	Screw	11
16	M-SCW-0824-6801	MF40080PBJ6	Screw (To assembly the cabinet)	Screw	2
17	M-SCW-0824-6802	MM30040IBJ9	Screw (To assembly the cabinet)	Screw	10
18	M-LCD-0826-0193	AA0170EA101	LCD panel	CPT LCD panel	1
19	B-CB-0206-0170	23L7VBB0026	Button board ass'y	bbutton boatd	1

VE710s-1 Recommended Spare Parts List

Item	ViewSonic P/N	Ref. P/N	Description	Location	Q'ty
1	B-MB-0201-2726	29L7VMB0000	Main Board	Scaler board	1
2	B-SB-0221-0595	AS02B012009	Power board	power board / inverter	1
3	P-BX-0601-0934	HFL7V008011	Carton	carton	1
4	P-FM-0602-0840	HBL7V005019	Polyform (L)	end cap(L)	1
5	P-FM-0602-0841	HBL7V006015	Pilyform (R)	end cap(R)	1
6	M-MS-0808-7710	HALV7001012	PE bag	PE bag	1
7	M-LB-0813-0919	HCL7V018014	ID label	ID label on carton	1
8	A-CD-VE710S	HGL7V007016	CD wizard	CD + user menu	1
9	C-BC-0302-0571	37L7VFBVS46	Rear enclosure	monitor back cover	1
10	C-BC-0302-0571	33L7VFBVS37	Front enclosure	Monitor front bezel	1
11	C-BS-0303-0507	26L7VBCVS25	Base	Base ass'y	1
12	M-SCW-0824-6797	MF40080BJ29	Screw (To assembly the cabinet)	Screw	3
13	M-SCW-0824-6798	MM30080BBJ2	Screw (To assembly the cabinet)	Screw	1
14	M-SCW-0824-6799	MM35080BBW2	Screw (To assembly the cabinet)	Screw	1
15	M-SCW-0824-6800	MM30060IBJ8	Screw (To assembly the cabinet)	Screw	11
16	M-SCW-0824-6801	MF40080PBJ6	Screw (To assembly the cabinet)	Screw	2
17	M-SCW-0824-6802	MM30040IBJ9	Screw (To assembly the cabinet)	Screw	10
18	M-LCD-0826-0193	AA0170EA101	LCD panel	CPT LCD panel	1
19	B-CB-0206-0170	23L7VBB0026	Button board ass'y	bbutton boatd	1

VE710b-1 BOM LIST

Item	ViewSonic P/N	Ref. P/N	Description	Location	Q'ty
1	B-MB-0201-2726	1L7VZZZVS94	L7VC LCD MONITOR (CPT)		
2	#N/A	29L7VMB0000	L7VC M/B ASSY		1
3	#N/A	3BL7VSS0009	L7VC M/B S/S ASSY		1
4	#N/A	DAL7VCMB2D8	PCB(M/B) L7VC MB(2L,12.5*11,REVD)		1
5	#N/A	AJ08116CC04	IC(128P) MST8116A(135MHZ,PQFP)	U3	1
6	#N/A	AKE3I8B0602	IC EEPROM(8P)M24C08-WMN6T(1K*8,400K,SO8)	U4	1
7	#N/A	AJ00312VP18	IC(44P) MTV312MV64AJ(12MHZ,PLCC)	U5	1
8	#N/A	AL034063023	IC(8P) MC34063A(SOP)	U6	1
9	#N/A	BAM23010Z05	TRANSISTOR MOSFET SI2301DS(-12V,-2.3A)	Q6,Q7	2
10	#N/A	BA001430Z22	TRANSISTOR SMD DTC143EUA(50V,100MA)	Q8,Q9	2
11	#N/A	BA039060Z01	TRANSISTOR,SMD MMBT3906(40V,200MA)	Q1,Q2,Q3,Q10,Q11	5
12	#N/A	AL001739001	IC(3P) AIC1739-25CX(SOT89)	Q4	1
13	#N/A	BAN70020Z13	TRANSISTOR MOSFET 2N7002E(60V,250MA)	Q5	1
14	#N/A	BC000014Z01	DIODE SMD SSM14(40V,1A)SCHOTTK	D26	1
15	#N/A	CH51004MA32	CAPACITOR CHIP 1UF 25V(+20%,Y5V,0805)	C65	1
16	#N/A	CH02206J909	CAPACITOR CHIP 22P 50V(+5%,NPO,0603)	C41,C42,C50,C51,C52,C53	6
17	#N/A	CH14706K919	CAPACITOR CHIP 470P 50V(+10%,X7R,0603)	C60	1
18	#N/A	CH22206K917	CAP CHIP 2200P 50V(+10%,X7R,0603)	C72,C73,C76,C77	4
19	#N/A	CH34703K916	CAP CHIP 0.047UF 16V(+10%,X7R,0603)	C1,C3,C4,C6,C8,C10	6
20	#N/A	CH31006K919	CAP CHIP 0.01U 50V(+10%,X7R,0603)	C7	1
21	#N/A	CH41004Z931	CAP CHIP 0.1U,25V(+80-20%,Y5V,0603)	C18,C19,C20,C21,C22,C23,C24,C26,C27,C29,C31,C32,C34,C35,C37,C38,C39,C40,C43,C44,C45,C46,C47,C48,C55,C56,C59,C61,C68,C69,C74,C78,C80,C81,C82,C92,C93,C98	38
22	#N/A	CS00006J205	RESISTOR CHIP 0 1/4W+-5%(3216)	FUSE1,R108	2
23	#N/A	CS00004JA07	RESISTOR CHIP 0 1/8W +-5%(0805)	L13,L18,L26,L28,L29,L30,R103	7
24	#N/A	CS00003J900	RESISTOR CHIP 0 1/10W+-5%(0603)	L23,R64	2
25	#N/A	CS+3006J204	RESISTOR CHIP 0.3 1/4W,+5%(3216)	R63	1
26	#N/A	CS02203J902	RES CHIP 22 1/10W +-5%(0603)	R30,R31,R33,R34,R48,R49,R50,R51,R59	9
27	#N/A	CS03303J909	RES CHIP 33 1/10W +-5%(0603)	R1,R4,R8,R98	4
28	#N/A	CS07503F905	RESISTOR CHIP 75 1/10W +-1%(1608)	R2,R5,R9	3
29	#N/A	CS11003J904	RESISTOR CHIP 100 1/10W +-5%(0603)	L1,L5,L7,L35,R7,R11,R13,R14,R18,R19,R28,R29,R46,R47,R60,R88,R89	17
30	#N/A	CS13303F909	RESISTOR CHIP 330 1/10W +-1%(0603)	L16,L17	2
31	#N/A	CS13903F901	RESISTOR CHIP 390 1/10W+-1%(0603)	R27	1
32	#N/A	CS21003J906	RES CHIP 1K 1/10W +-5%(0603)	L14,L15,L37,L38,L39,R53,R54,R68,R70,R90,R93	11
33	#N/A	CS22003J909	RES CHIP 2K 1/10W +-5%(0603)	R12,R15,R35,R36,R92	5
34	#N/A	CS22203F904	RES CHIP 2.2K 1/10W,+1%(0603)	R67,R112	2
35	#N/A	CS23603F901	RESISTOR CHIP 3.6K, 1/10W,+1%(0603)	R66	1
36	#N/A	CS24703F908	RESISTOR CHIP 4.7K 1/10W+-1%(0603)	R91,R96,R97	3

37	#N/A	CS31003J908	RES CHIP 10K 1/10W +-5%(0603)	L22,R37,R38,R44,R52,R55,R56,R61,R65,R69,R71,R73,R75,R76,R110	15
38	#N/A	CS38203J904	RES CHIP 82K 1/10W +-5%(0603)	R41,R72,R74,R77	4
39	#N/A	CX0E601R009	EMI FILTER CHIP HZ0805E601R(600,500MA)	L8,L9,L10,L11,L12	5
40	#N/A	DFFC50FS023	CONN SMD FFC 50P 1R FS(P0.5,H2.24)	CN7	1
41	#N/A	DFFC30FS140	CONN SMD FFC 30P 1R FS(P0.5,H2.24)	CN8	1
42	#N/A	CS-3303J901	RESISTOR CHIP 3.3 1/10W +-5%(1608)	R114	1
43	#N/A	CS04703J906	RES CHIP 47 1/10W +-5%(0603)	R111	1
44	#N/A	BA039040Z01	TRANSISTOR,SMD MMBT3904(40V,200MA)	Q12	1
45	#N/A	CS26803J909	RESISTOR CHIP 6.8K 1/10W +-5%(1608)	R94	1
46	#N/A	CS33303J904	RESISTOR CHIP 33K 1/10W +-5%(0603)	R39,R40,R99,R100,R101	5
47	#N/A	CS06803J905	RESISTOR CHIP 68 1/10W +-5%(1608)	R3,R6,R10	3
48	#N/A	BDGZ5226Z03	DIODE ZENER SMD MMGZ5226B(3.3V)	D30	1
49	#N/A	CH03306J905	CAPACITOR CHIP 33P 50V(+5%,NPO,0603)	C11,C13	2
50	#N/A	CX000300104	EMI FILTER CHIP FCM1608C-300T06 30,600MA	L2,L3,L6	3
51	#N/A	CC62204MD23	CAP ELEC 22U 25V(+20%,105C,5*11,2000HR)	C17,C25,C28,C30,C33,C36,C49,C70	8
52	E-L-0407-1563	CC73303MD51	CAP ELEC 330U 16V(+20%,105C,8*11,2000HR)	C58,C62,C75,C79	4
53	E-X-0415-0128	DC04725K002	CHOKE COIL 47UH(2.5A,+10%,T07473)	L21	1
54	#N/A	BG614318D55	XTAL DIP 14.318MHZ(+30PPM,07010-X-136-2)	X1	1
55	#N/A	DFHD14MS264	CONN DIP HEADER 14P 2R MS(P2.0,H6.0)	CN2	1
56	#N/A	DFHD10MR316	CONN DIP HEADER 10P 1R MR(P2.0,H4.1)	CN4	1
57	#N/A	DFHD08MS439	CONN DIP HEADER 8P 2R MS(P2.54,H6.0)	CN6	1
58	B-SB-0221-0595	BG611059319	CRYSTAL DIP 11.0592MHZ(+30PPM,49/US)	X2	1
59	B-CB-0206-0170	AS02B012009	ADP/INV,ADP- 40AFB,90-264VAC		1
60	#N/A	23L7VBB0026	L7VC BUTTON/B ASSY		1
61	#N/A	DFHD08MR301	CONN DIP HEADER 8P 1R MR(P2.0,H4.1)	CN1	1
62	#N/A	BEYG0013DA3	LED(DIP) YELLOW/GREEN(L-3WYGW)	LED1	1
63	#N/A	DAL7VCTB1C5	PCB(BUTTON) L7VC TL(1L,125*23,REVC)		1
64	#N/A	DHP0002B205	SWITCH PUCH BUTTON(P2-002-B2,50MA,12V)	SW1,SW2,SW3,SW4,SW5	5
65	C-BC-0302-0570	22L7VLAVS41	L7VC LCD MODULE ASSY(CPT)		1
66	#N/A	33L7VFBVS29	L7VC FRONT BEZEL ASSY		1
67	#N/A	EAL7V012014	LCD BEZEL L7VC(EAL7V012,REV3B)		1
69	#N/A	EBL7V021014	LENS L7VC(EBL7V021,REV3A)		1
69	#N/A	EBL7V022011	CONTROL BUTTON L7VC(EBL7V022,REV3A)		1
70	#N/A	FEL7V003019	LOGO FRONT-VSC-38MM L7VC(FEL7V003,REV3A)		1
71	#N/A	FEL7V004015	BIRD LOGO-10MM L7VC(FEL7V004,REV3A)		1
72	#N/A	37L7VBCVS38	L7VC BACK COVER ASSY		1
73	M-CV-0830-2484	EAL7V013011	LCD COVER L7VC(EAL7V013,REV3B)		1
74	#N/A	FBL7V007011	KENSINGTON CAP(FBL7V007,REV3A)		1
75	#N/A	FBL7V034019	HINGE ASSY L7VC(FBL7V034,REV3A)		1
76	#N/A	FBL7V036011	VESA BKT-LONG L7VC(FBL7V036,REV3A)		1
77	#N/A	FEL7V005011	LOGO PLATE ELLIPSE L7VC(FEL7V005,REV3A)		1
78	#N/A	GAL7V006014	RUBBER PLUG VESA L7VC(GAL7V006,REV3B)		4
79	M-SCW-0824-6797	GBLM7003017	GASKET-3 LM7S(GBLM7003,REV3A)		1
80	#N/A	MF40080BJ29	SCREW F4.0*8-B(BNI)		7
81	#N/A	34L7VBAVS00	L7VC PCB BKT ASSY		1
82	#N/A	FAL7V011018	PCB BRACKET L7VC(FAL7V011,REV3A)		1
83	#N/A	FCL7V011010	P/B MYLAR-UP L7VC(FCL7V011,REV3A)		1
84	M-LB-0813-0894	EBL70023013	WIRE MOUNTS L70L-E(EBL70023,REV3A)		1
85	M-LCD-0826-0193	HCL7V005010	WARNING LABEL, INVERTOR(HCL7V005,3A)		1
86	#N/A	AA0170EA101	LCD(TFT) CLAA170EA03(17",1280*1024,SXGA)		1
87	#N/A	FAL7V012014	LCD BKT-L L7VC(FAL7V012,REV,3A)		1
88	#N/A	FAL7V013011	LCD BKT-R L7VC(FAL7V013,REV3A)		1

89	#N/A	FCL7A001014	AL FOIL L7A(FCL7A001,REV3A)		2
90	#N/A	FCL7V012016	P/B MYLAR-DOWN L7VC(FCL7V012,REV3A)		1
91	M-SCW-0824-6797	JXLM7002011	FOIL LM7S(JXLM7002,REV3B)		1
92	M-SCW-0824-6798	MF40080BJ29	SCREW F4.0*8-B(BNI)		3
93	M-SCW-0824-6799	MM30080BBJ2	SCREW M3.0*8,B(NI)		1
94	M-SCW-0824-6800	MM35080BBW2	SCREW M3.5*8-B (NI,WASHER)		1
95	M-SCW-0824-6801	MM30060IBJ8	SCREW M3.0*6.0-I(NI)		11
96	M-SCW-0824-6802	MF40080PBJ6	SCREW F4.0*8-P(NI)		2
97	#N/A	MM30040IBJ9	SCREW M3.0*4.0-I(NI)		10
98	C-BS-0303-0506	GAL7V009013	RUBBER PLUG COVER L7VC(GAL7V009,REV3A)		2
99	#N/A	26L7VSAVS17	L7VC STAND ASSY		1
100	#N/A	EAL7V014017	BASE L7VC(EAL7V014,REV3A)		1
101	#N/A	FBL7V035015	BASE PLATE L7VC(FBL7V035,REV3A)		1
102	#N/A	GAL70001019	RUBBER FOOT L70B(GAL70001,REV3A)		4
103	M-SCW-0824-6797	GAL7V007011	RUBBER FOOT-FRONT L7VC(GAL7V007,R3A)		1
104	#N/A	MF40080BJ29	SCREW F4.0*8-B(BNI)		5
105	#N/A	HCL7V020019	STAND LABEL L7VC(HCL7V020,REV3A)		1
106	#N/A	23L7VCSVS36	L7VC CHASSIS ASSY		1
107	#N/A	DDL7VCPB101	CABLE ASSY L7VC POWER-MB(8P/8P,REV1A)		1
108	#N/A	DDL7VPCPC001	CABLE ASSY L7VC MB-VGA(14/15P,REV1A)		1
109	#N/A	DDL7VCTH004	CABLE ASSY L7VC BUTTON-MB(8P/10P,REV1A)		1
110	#N/A	DEFC0709607	CABLE FFC L5TI MB-LCD50P/50P 70MM REV3A		1
111	#N/A	DEFC0709704	CABLE FFC L7VC MB-LCD(30P/30P,70MM REV1A		1
112	#N/A	EBL7V023017	HINGE CAP L7VC(EBL7V023,REV3A)		2
113	#N/A	MM40100BCI2	SCREW M4*10.0-B(NI,NYLOK)		4
114	A-PC-0106-0227	24L7VPKVS71	L7VC PACKING ASSY		1
115	A-PC-0106-0224	DM333181801	POWER CORD SP-023+IS-14H05VV-F3P 1.8M EU		1
116	M-MS-0808-7710	DM333181G97	POWER CORD 3P 1.8M(USA)V04VS35001218000		1
117	P-FM-0602-0840	HAL7E002013	PE BAG L7E(HAL7E002,REV3C)		1
118	P-FM-0602-0841	HBL7V005019	END CAP(L) L7VC(HBL7V005,REV3A)		1
119	M-LB-0813-0747	HBL7V006015	END CAP(R) L7VC(HBL7V006,REV3A)		1
120	M-LB-0813-0918	HCL7V004013	CORE LABEL(HCL7V004,REV3A)		1
121	M-LB-0813-0745	HCL7V017018	ID LABEL L7VC(HCL7V017,REV3A)		1
122	#N/A	HCL7V002011	SERIAL LABEL(HCL7V002,REV3A)		1
123	P-BX-0601-0933	HCL7V019011	CARTON LABEL L7VC(HCL7V019,REV3A)		1
124	A-CD-VE710B	HFL7V006019	CARTON L7VC(HFL7V006,REV3A)		1
125	#N/A	HGL7V005013	USER MANUAL & CD ROM L7VC(HGL7V005,R3A)		1
126	#N/A	JXLM5003011	HANDLE LM5S(JXLM5003,REV 3B)		1
127	#N/A	HFL7V009018	SPACE PLATE L7VC(HFL7V009,REV3A)		0.03
128	#N/A	JXL7V003017	LCD FILM L7VC(JXL7V003,REV3A)		1

VE710s-1 BOM LIST

Item	ViewSonic P/N	Ref. P/N	Description	Location	Q'ty
1	#N/A	1L7VZZZVSA9	L7VC LCD MONITOR(CPT/ SILVER)		
2	B-MB-0201-2726	29L7VMB0000	L7VC M/B ASSY		1
3	#N/A	3BL7VSS0009	L7VC M/B S/S ASSY		1
4	#N/A	DAL7VCMB2D8	PCB(M/B) L7VC MB(2L,12.5*11,REVD)		1
5	#N/A	AJ08116CC04	IC(128P) MST8116A(135MHZ,PQFP)	U3	1
6	#N/A	AKE3I8B0602	IC EEPROM(8P)M24C08-WMN6T(1K*8,400K,SO8)	U4	1
7	#N/A	AJ00312VP18	IC(44P) MTV312MV64AJ(12MHZ,PLCC)	U5	1
8	#N/A	AL034063023	IC(8P) MC34063A(SOP)	U6	1
9	#N/A	BAM23010Z05	TRANSISTOR MOSFET SI2301DS(-12V,-2.3A)	Q6,Q7	2
10	#N/A	BA001430Z22	TRANSISTOR SMD DTC143EUA(50V,100MA)	Q8,Q9	2
11	#N/A	BA039060Z01	TRANSISTOR,SMD MMBT3906(40V,200MA)	Q1,Q2,Q3,Q10,Q11	5
12	#N/A	AL001739001	IC(3P) AIC1739-25CX(SOT89)	Q4	1
13	#N/A	BAN70020Z13	TRANSISTOR MOSFET 2N7002E(60V,250MA)	Q5	1
14	#N/A	BC000014Z01	DIODE SMD SSM14(40V,1A)SCHOTTK	D26	1
15	#N/A	CH51004MA32	CAPACITOR CHIP 1UF 25V(+/-20%,Y5V,0805)	C65	1
16	#N/A	CH02206J909	CAPACITOR CHIP 22P 50V(+/-5%,NPO,0603)	C41,C42,C50,C51,C52,C53	6
17	#N/A	CH14706K919	CAPACITOR CHIP 470P 50V(+/-10%,X7R,0603)	C60	1
18	#N/A	CH22206K917	CAP CHIP 2200P 50V(+/-10%,X7R,0603)	C72,C73,C76,C77	4
19	#N/A	CH34703K916	CAP CHIP 0.047UF 16V(+/-10%,X7R,0603)	C1,C3,C4,C6,C8,C10	6
20	#N/A	CH31006K919	CAP CHIP 0.01U 50V(+/-10%,X7R,0603)	C7	1
21	#N/A	CH41004Z931	CAP CHIP 0.1U,25V(+80-20%,Y5V,0603)	C18,C19,C20,C21,C22,C23,C24,C26,C27,C29,C31,C32,C34,C35,C37,C38,C39,C40,C43,C44,C45,C46,C47,C48,C55,C56,C59,C61,C68,C69,C74,C78,C80,C81,C82,C92,C93,C98	38
22	#N/A	CS00006J205	RESISTOR CHIP 0 1/4W+/-5%(3216)	FUSE1,R108	2
23	#N/A	CS00004JA07	RESISTOR CHIP 0 1/8W +/-5%(0805)	L13,L18,L26,L28,L29,L30,R1	7
24	#N/A	CS00003J900	RESISTOR CHIP 0 1/10W+/-5%(0603)	L23,R64	2
25	#N/A	CS+3006J204	RESISTOR CHIP 0.3 1/4W,+/-5%(3216)	R63	1
26	#N/A	CS02203J902	RES CHIP 22 1/10W +/-5%(0603)	R30,R31,R33,R34,R48,R49,R50,R51,R59	9
27	#N/A	CS03303J909	RES CHIP 33 1/10W +/-5%(0603)	R1,R4,R8,R98	4
28	#N/A	CS07503F905	RESISTOR CHIP 75 1/10W +/-1%(1608)	R2,R5,R9	3

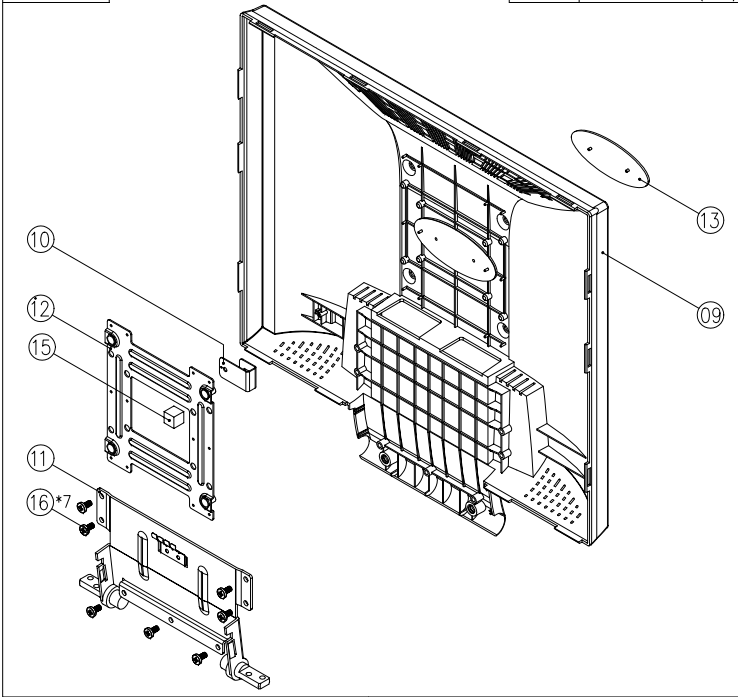
29	#N/A	CS11003J904	RESISTOR CHIP 100 1/10W +-5%(0603)	L1,L5,L7,L35, R7,R11,R13,R 14,R18,R19,R 28,R29,R46,R 47,R60,R88,R 89	17
30	#N/A	CS13303F909	RESISTOR CHIP 330 1/10W +-1%(0603)	L16,L17	2
31	#N/A	CS13903F901	RESISTOR CHIP 390 1/10W+-1%(0603)	R27	1
32	#N/A	CS21003J906	RES CHIP 1K 1/10W +-5%(0603)	L14,L15,L37,L 38,L39,R53,R5 4,R68,R70,R9 0,R93	11
33	#N/A	CS22003J909	RES CHIP 2K 1/10W +-5%(0603)	R12,R15,R35, R36,R92	5
34	#N/A	CS22203F904	RES CHIP 2.2K 1/10W,+1%(0603)	R67,R112	2
35	#N/A	CS23603F901	RESISTOR CHIP 3.6K, 1/10W,+1%(0603)	R66	1
36	#N/A	CS24703F908	RESISTOR CHIP 4.7K 1/10W+-1%(0603)	R91,R96,R97	3
37	#N/A	CS31003J908	RES CHIP 10K 1/10W +-5%(0603)	L22,R37,R38, R44,R52,R55, R56,R61,R65, R69,R71,R73, R75,R76,R110	15
38	#N/A	CS38203J904	RES CHIP 82K 1/10W +-5%(0603)	R41,R72,R74, R77	4
39	#N/A	CX0E601R009	EMI FILTER CHIP HZ0805E601R(600,500MA)	L8,L9,L10,L11 L12	5
40	#N/A	DFFC50FS023	CONN SMD FFC 50P 1R FS(P0.5,H2.24)	CN7	1
41	#N/A	DFFC30FS140	CONN SMD FFC 30P 1R FS(P0.5,H2.24)	CN8	1
42	#N/A	CS-3303J901	RESISTOR CHIP 3.3 1/10W +-5%(1608)	R114	1
43	#N/A	CS04703J906	RES CHIP 47 1/10W +-5%(0603)	R111	1
44	#N/A	BA039040Z01	TRANSISTOR,SMD MMBT3904(40V,200MA)	Q12	1
45	#N/A	CS26803J909	RESISTOR CHIP 6.8K 1/10W +-5%(1608)	R94	1
46	#N/A	CS33303J904	RESISTOR CHIP 33K 1/10W +-5%(0603)	R39,R40,R99, R100,R101	5
47	#N/A	CS06803J905	RESISTOR CHIP 68 1/10W +-5%(1608)	R3,R6,R10	3
48	#N/A	BDGZ5226Z03	DIODE ZENER SMD MMGZ5226B(3.3V)	D30	1
49	#N/A	CH03306J905	CAPACITOR CHIP 33P 50V(+5%,NPO,0603)	C11,C13	2
50	#N/A	CX000300104	EMI FILTER CHIP FCM1608C-300T06 30,600MA	L2,L3,L6	3
51	#N/A	CC62204MD23	CAP ELEC 22U 25V(+20%,105C,5*11,2000HR)	C17,C25,C28, C30,C33,C36,	8
52	#N/A	CC73303MD51	CAP ELEC 330U 16V(+20%,105C,8*11,2000HR)	C58,C62,C75, C79	4
53	E-L-0407-1563	DC04725K002	CHOKE COIL 47UH(2.5A,+10%,T07473)	L21	1
54	E-X-0415-0128	BG614318D55	XTAL DIP 14.318MHZ(+30PPM,07010-X-136-2)	X1	1
55	#N/A	DFHD14MS264	CONN DIP HEADER 14P 2R MS(P2.0,H6.0)	CN2	1
56	#N/A	DFHD10MR316	CONN DIP HEADER 10P 1R MR(P2.0,H4.1)	CN4	1
57	#N/A	DFHD08MS439	CONN DIP HEADER 8P 2R MS(P2.54,H6.0)	CN6	1
58	#N/A	BG611059319	CRYSTAL DIP 11.0592MHZ(+30PPM,49/US)	X2	1
59	B-SB-0221-0595	AS02B012009	ADP/INV,ADP- 40AFB,90-264VAC		1
60	B-CB-0206-0170	23L7VBB0026	L7VC BUTTON/B ASSY		1
61	#N/A	DFHD08MR301	CONN DIP HEADER 8P 1R MR(P2.0,H4.1)	CN1	1
62	#N/A	BEYG0013DA3	LED(DIP) YELLOW/GREEN(L-3WYGW)	LED1	1
63	#N/A	DAL7VCTB1C5	PCB(BUTTON) L7VC TL(1L,125*23,REVC)		1
64	#N/A	DHP0002B205	SWITCH PUCH BUTTON(PT-002-B2,50MA,12V)	SW1,SW2,SW3 ,SW4,SW5	5
65	#N/A	22L7VLAVS59	L7VC LCD MODULE ASSY(CPT/ SILVER)		1

66	C-BC-0302-0571	33L7VFBVS37	L7VC FRONT BEZEL ASSY(SILVER)	1
67	#N/A	EAL7V012022	LCD BEZEL-SILVER L7VC(EAL7V012,REV3B)	1
68	#N/A	EBL7V021014	LENS L7VC(EBL7V021,REV3A)	1
69	#N/A	EBL7V022011	CONTROL BUTTON L7VC(EBL7V022,REV3A)	1
70	#N/A	FEL7V003019	LOGO FRONT-VSC-38MM L7VC(FEL7V003,REV3A)	1
71	#N/A	FEL7V004015	BIRD LOGO-10MM L7VC(FEL7V004,REV3A)	1
72	C-BS-0303-0507	37L7VBCVS46	L7VC BACK COVER ASSY(BLACK)	1
73	#N/A	EAL7V013029	LCD COVER(BLACK) L7VC(EAL7V013,REV3B)	1
74	M-CV-0830-2484	FBL7V007011	KENSINGTON CAP(FBL7V007,REV3A)	1
75	#N/A	FBL7V034019	HINGE ASSY L7VC(FBL7V034,REV3A)	1
76	#N/A	FBL7V036011	VESA BKT-LONG L7VC(FBL7V036,REV3A)	4
77	#N/A	FEL7V005011	LOGO PLATE ELLIPSE L7VC(FEL7V005,REV3A)	1
78	#N/A	GAL7V008017	RUBBER PLUG VESA/BK L7VC(GAL7V008,R3A)	7
79	#N/A	GBLM7003017	GASKET-3 LM7S(GBLM7003,REV3A)	1
80	M-SCW-0824-6797	MF40080BJ29	SCREW F4.0*8-B(BNI)	1
81	#N/A	34L7VBAVS00	L7VC PCB BKT ASSY	1
82	#N/A	FAL7V011018	PCB BRACKET L7VC(FAL7V011,REV3A)	1
83	#N/A	FCL7V011010	P/B MYLAR-UP L7VC(FCL7V011,REV3A)	1
84	#N/A	EBL70023013	WIRE MOUNTS L70L-E(EBL70023,REV3A)	1
85	M-LB-0813-0894	HCL7V005010	WARNING LABEL, INVERTOR(HCL7V005,3A)	1
86	M-LCD-0826-0193	AA0170EA101	LCD(TFT) CLAA170EA03(17",1280*1024,SXGA)	2
87	#N/A	FAL7V012014	LCD BKT-L L7VC(FAL7V012,REV,3A)	1
88	#N/A	FAL7V013011	LCD BKT-R L7VC(FAL7V013,REV3A)	1
89	#N/A	FCL7A001014	AL FOIL L7A(FCL7A001,REV3A)	3
90	#N/A	FCL7V012016	P/B MYLAR-DOWN L7VC(FCL7V012,REV3A)	1
91	#N/A	JXLM7002011	FOIL LM7S(JXLM7002,REV3B)	1
92	M-SCW-0824-6797	MF40080BJ29	SCREW F4.0*8-B(BNI)	11
93	M-SCW-0824-6798	MM30080BBJ2	SCREW M3.0*8,B(NI)	2
94	M-SCW-0824-6799	MM35080BBW2	SCREW M3.5*8-B (NI,WASHER)	10
95	M-SCW-0824-6800	MM30060IBJ8	SCREW M3.0*6.0-I(NI)	2
96	M-SCW-0824-6801	MF40080PBJ6	SCREW F4.0*8-P(NI)	1
97	M-SCW-0824-6802	MM30040IBJ9	SCREW M3.0*4.0-I(NI)	1
98	#N/A	GAL7V010011	RUBBER PLUG COVER /BK L7VC(GAL7V010,R3A)	1
99	#N/A	26L7VSAVS25	L7VC STAND ASSY(BLACK)	4
100	#N/A	EAL7V014025	BASE(BLACK) L7VC(EAL7V014,REV3A)	5
101	#N/A	FBL7V035015	BASE PLATE L7VC(FBL7V035,REV3A)	1
102	#N/A	GAL70001019	RUBBER FOOT L70B(GAL70001,REV3A)	1
103	#N/A	GAL7V007011	RUBBER FOOT-FRONT L7VC(GAL7V007,R3A)	1
104	M-SCW-0824-6797	MF40080BJ29	SCREW F4.0*8-B(BNI)	1
105	#N/A	HCL7V020019	STAND LABEL L7VC(HCL7V020,REV3A)	1
106	#N/A	23L7VCSVS36	L7VC CHASSIS ASSY	1
107	#N/A	DDL7VCPB101	CABLE ASSY L7VC POWER-MB(8P/8P,REV1A)	1
108	#N/A	DDL7VPCPC001	CABLE ASSY L7VC MB-VGA(14/15P,REV1A)	2
109	#N/A	DDL7VCTH004	CABLE ASSY L7VC BUTTON-MB(8P/10P,REV1A)	4
110	#N/A	DEFC0709607	CABLE FFC L5TI MB-LCD50P/50P 70MM REV3A	1
111	#N/A	DEFC0709704	CABLE FFC L7VC MB-LCD(30P/30P,70MM REV1A)	1
112	#N/A	EBL7V023017	HINGE CAP L7VC(EBL7V023,REV3A)	1
113	#N/A	MM40100BCI2	SCREW M4*10.0-B(NI,NYLOK)	1
114	#N/A	24L7VPKVS89	L7VC PACKING ASSY(FOR SILVER)	1
115	A-PC-0106-0227	DM333181801	POWER CORD SP-023+IS-14H05VV-F3P 1.8M EU	1
116	A-PC-0106-0224	DM333181G97	POWER CORD 3P 1.8M(USA)V04VS35001218000	1
117	M-MS-0808-8981	HAL7V001012	EPE BAG L7V(HAL7V001,REV3A)	1
118	P-FM-0602-0840	HBL7V005019	END CAP(L) L7VC(HBL7V005,REV3A)	1
119	P-FM-0602-0841	HBL7V006015	END CAP(R) L7VC(HBL7V006,REV3A)	1
120	M-LB-0813-0747	HCL7V004013	CORE LABEL(HCL7V004,REV3A)	1
121	M-LB-0813-0919	HCL7V018014	ID LABEL (SILVER) L7VC(HCL7V018,REV3A)	1

122	M-LB-0813-0745	HCL7V002011	SERIAL LEBAL(HCL7V002,REV3A)		1
123	#N/A	HCL7V019011	CARTON LABEL L7VC(HCL7V019,REV3A)		0.03
124	P-BX-0601-0934	HFL7V008011	CARTON (FOR SILVER) L7VC(HFL7V008,R3A)		1
125	A-CD-VE710S	HGL7V007016	USER MANUAL &CD ROM-S L7VC(HGL7V007,R3A)		
126	#N/A	JXLM5003011	HANDLE LM5S(JXLM5003,REV 3B)		
127	#N/A	HFL7V009018	SPACE PLATE L7VC(HFL7V009,REV3A)		
128	#N/A	JXL7V003017	LCD FILM L7VC(JXL7V003,REV3A)		

FIGURE 2

PART NUMBER	PART DESCRIPTION
37L7BCV546	L7VC BACK COVER ASSY(BLACK)



8. Exploded Diagram And Spare Parts List

VE710 S Explode Diagram

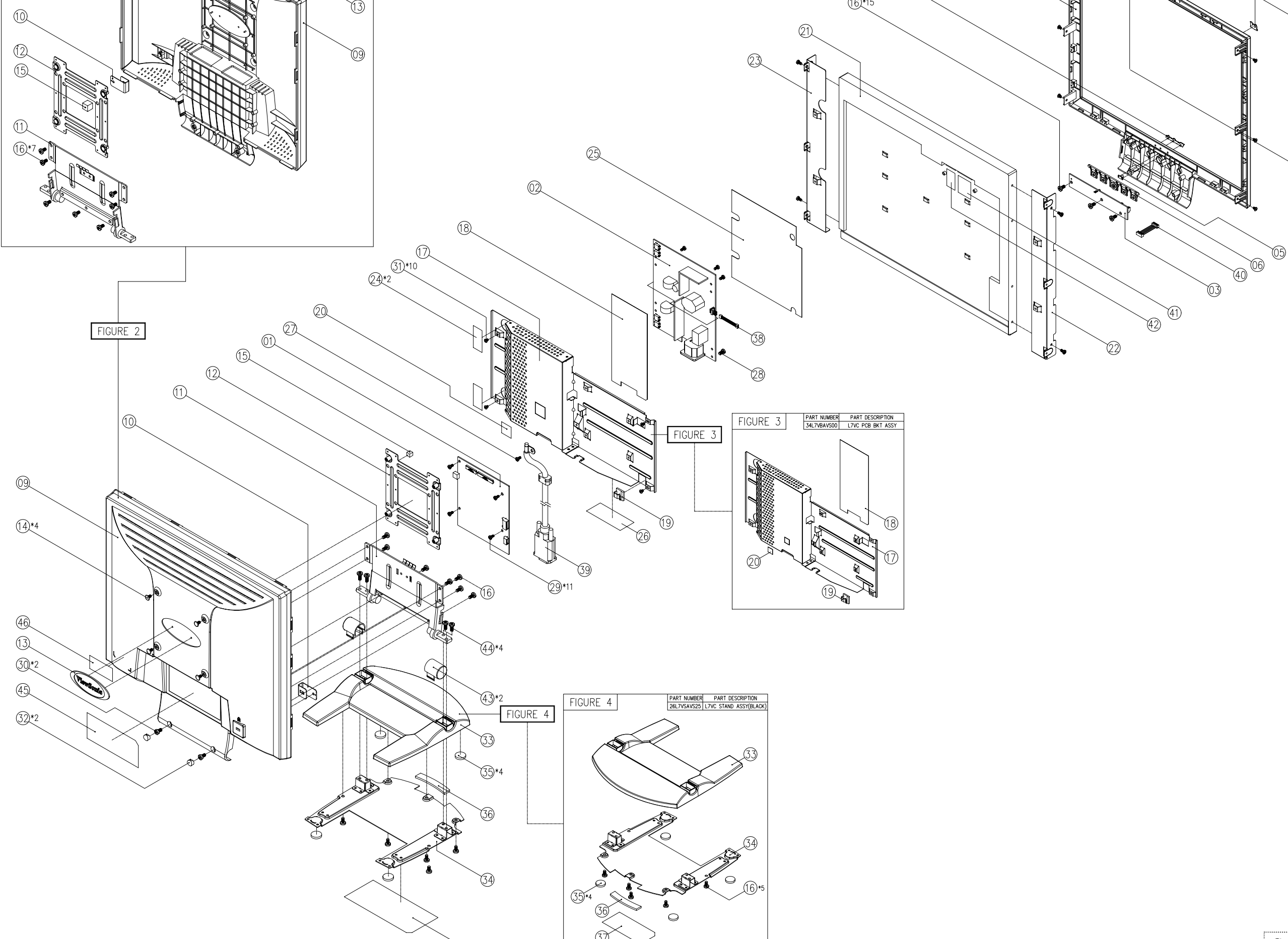


FIGURE 1

PART NUMBER	PART DESCRIPTION
33L7FBVS37	L7VC FRONT BEZEL ASSY(BL/WR)

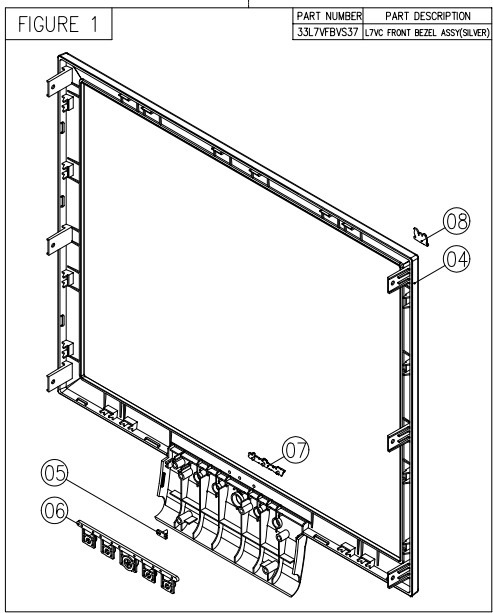


FIGURE 3

PART NUMBER	PART DESCRIPTION
34L7VBAY500	L7VC PCB BKT ASSY

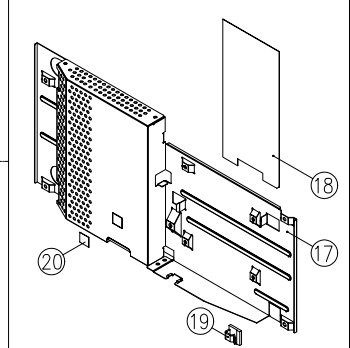


FIGURE 4

PART NUMBER	PART DESCRIPTION
26L7YSAVS25	L7VC STAND ASSY(BLACK)

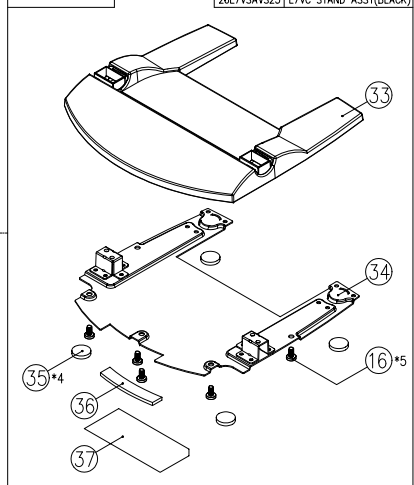
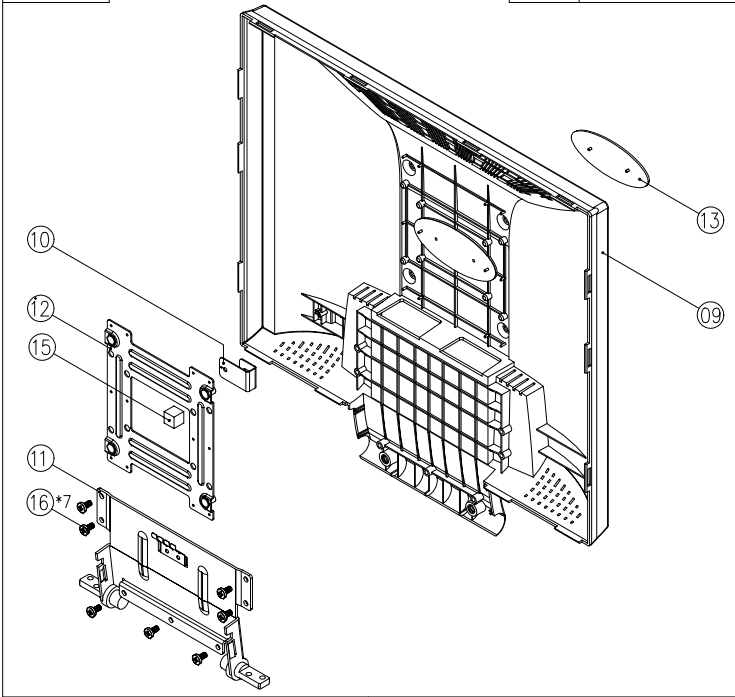


FIGURE 2

PART NUMBER	PART DESCRIPTION
37L7BCV38	L7VC BACK COVER ASSY



VE710 B Explode Diagram

FIGURE 1

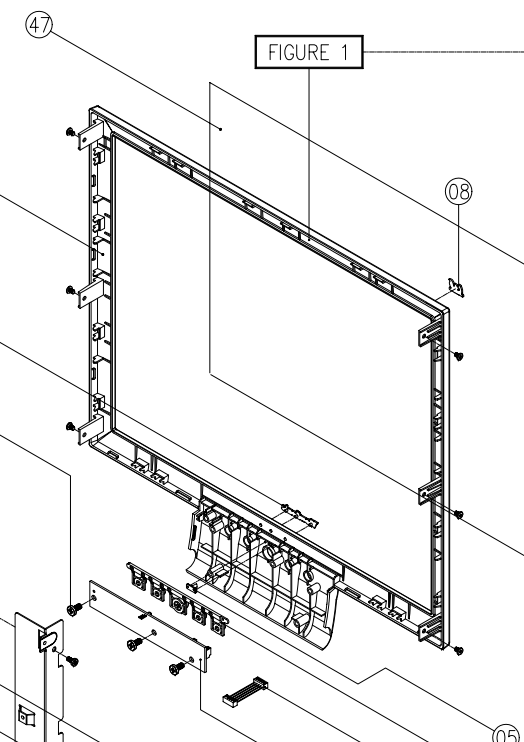


FIGURE 1

PART NUMBER	PART DESCRIPTION
33L7FBYS29	L7VC FRONT BEZEL ASSY

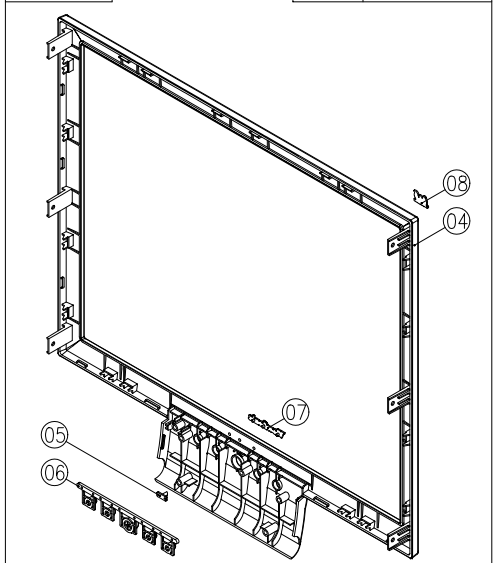


FIGURE 2

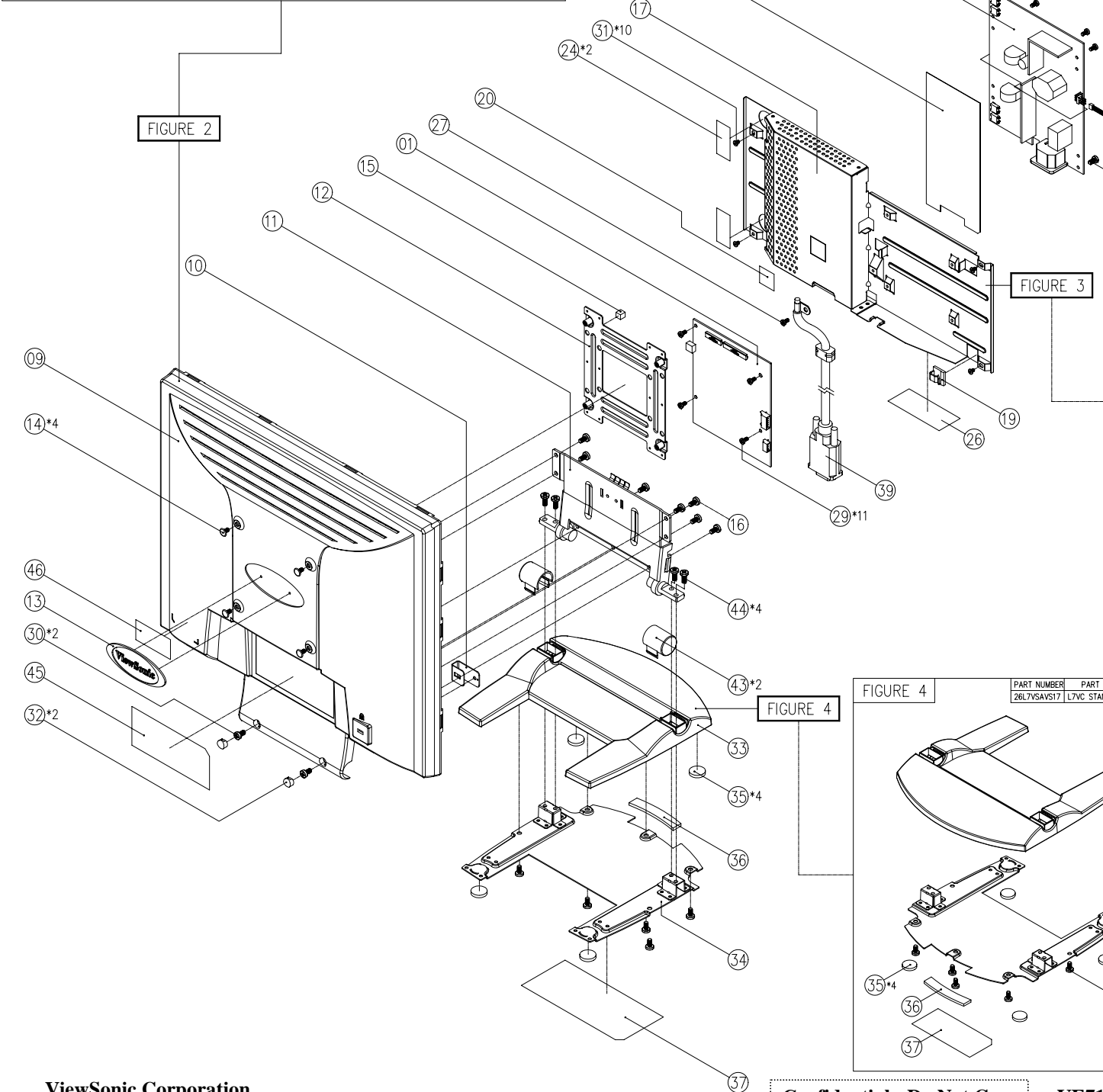
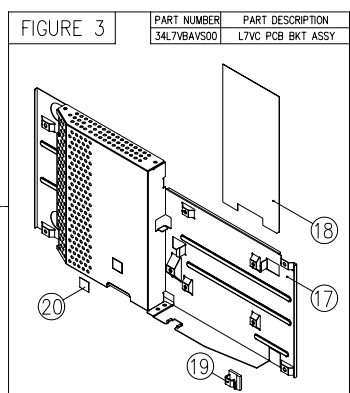
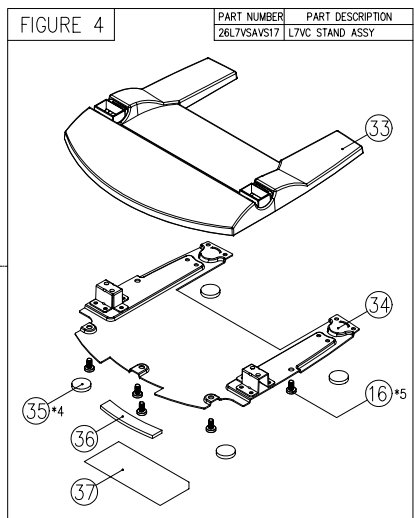


FIGURE 3



PART NUMBER	PART DESCRIPTION
34L7VBAVS00	L7VC PCB BKT ASSY

FIGURE 4



PART NUMBER	PART DESCRIPTION
26L7YSAVS17	L7VC STAND ASSY

VE710b-1 Exploded Parts List

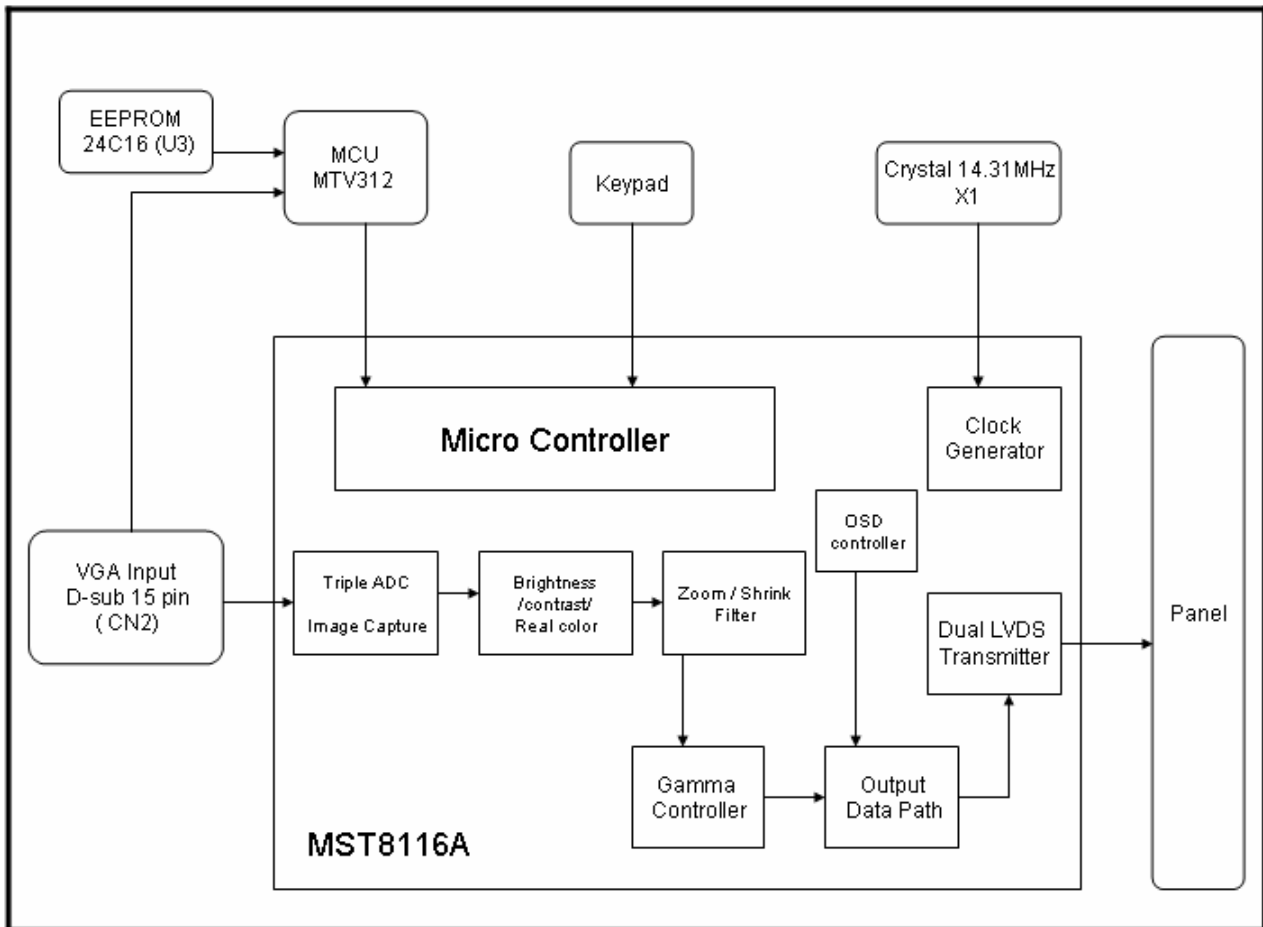
ITEM	Part Number	ViewSonic Part Number	Part Description	UNIT
1	29L7VMB0000	B-MB-0201-2726	L7VC M/B ASSY	1
2	AS02B012009	B-SB-0221-0595	ADP/INV,ADP- 40AFB,90-264VAC	1
3	23L7VBB0026	B-CB-0206-0170	L7VC BUTTON/B ASSY	1
4	EAL7V012014	#N/A	LCD BEZEL L7VC(EAL7V012,REV3B)	1
5	EBL7V021014	#N/A	LENS L7VC(EBL7V021,REV3A)	1
6	EBL7V022011	#N/A	CONTROL BUTTON L7VC(EBL7V022,REV3A)	1
7	FEL7V003019	#N/A	LOGO FRONT-VSC-38MM L7VC(FEL7V003,REV3A)	1
8	FEL7V004015	#N/A	BIRD LOGO-10MM L7VC(FEL7V004,REV3A)	1
9	EAL7V013011	#N/A	LCD COVER L7VC(EAL7V013,REV3B)	1
10	FBL7V007011	M-CV-0830-2484	KENSINGTON CAP(FBL7V007,REV3A)	1
11	FBL7V034019	#N/A	HINGE ASSY L7VC(FBL7V034,REV3A)	1
12	FBL7V036011	#N/A	VESA BKT-LONG L7VC(FBL7V036,REV3A)	1
13	EBL7V003016	M-MS-0808-8718	LOGO PLATE(EBL7V003,REV3A)	1
14	GAL7V006014	#N/A	RUBBER PLUG VESA L7VC(GAL7V006,REV3C)	4
15	GBLM7003017	#N/A	GASKET-3 LM7S(GBLM7003,REV3A)	1
16	MF40080BJ29	M-SCW-0824-6797	SCREW F4.0*8-B(BNI)	15
17	FAL7V011018	#N/A	PCB BRACKET L7VC(FAL7V011,REV3A)	1
18	FCL7V011010	#N/A	P/B MYLAR-UP L7VC(FCL7V011,REV3A)	1
19	EBL70023013	#N/A	WIRE MOUNTS L70L-E(EBL70023,REV3A)	1
20	HCL7V005010	M-LB-0813-0894	WARNING LABEL, INVERTOR(HCL7V005,3A)	1
21	AA0170EA101	M-LCD-0826-0193	LCD(TFT) CLAA170EA03(17",1280*1024,SXGA)	1
22	FAL7V012014	#N/A	LCD BKT-L L7VC(FAL7V012,REV,3A)	1
23	FAL7V013011	#N/A	LCD BKT-R L7VC(FAL7V013,REV3A)	1
24	FCL7A001014	#N/A	AL FOIL L7A(FCL7A001,REV3A)	2
25	FCL7V012016	#N/A	P/B MYLAR-DOWN L7VC(FCL7V012,REV3A)	1
26	JXLM7002011	#N/A	FOIL LM7S(JXLM7002,REV3B)	1
27	MM30080BBJ2	M-SCW-0824-6798	SCREW M3.0*8,B(NI)	1
28	MM35080BBW2	M-SCW-0824-6799	SCREW M3.5*8-B (NI,WASHER)	1
29	MM30060IBJ8	M-SCW-0824-6800	SCREW M3.0*6.0-I(NI)	7
30	MF40080PBJ6	M-SCW-0824-6801	SCREW F4.0*8-P(NI)	2
31	MM30040IBJ9	M-SCW-0824-6802	SCREW M3.0*4.0-I(NI)	10
32	GAL7V009013	#N/A	RUBBER PLUG COVER L7VC(GAL7V009,REV3A)	2
33	EAL7V014017	#N/A	BASE L7VC(EAL7V014,REV3A)	1
34	FBL7V035015	#N/A	BASE PLATE L7VC(FBL7V035,REV3A)	1
35	GAL5V002013	#N/A	RUBBER FOOT L5VC	4
36	GAL7V007011	#N/A	RUBBER FOOT-FRONT L7VC(GAL7V007,R3A)	1
37	HCL7V020019	#N/A	STAND LABEL L7VC(HCL7V020,REV3A)	1
38	DDL7VCPB101	#N/A	CABLE ASSY L7VC POWER-MB(8P/8P,REV1A)	1
39	DDL7VCP001	#N/A	CABLE ASSY L7VC MB-VGA(14/15P,REV1A)	1
40	DDL7VCTH004	#N/A	CABLE ASSY L7VC BUTTON-MB(8P/10P,REV1A)	1
41	DEFC0709607	#N/A	CABLE FFC L5TI MB-LCD50P/50P 70MM REV3A	1
42	DEFC0709704	#N/A	CABLE FFC L7VC MB-LCD(30P/30P,70MM REV1A)	1
43	EBL7V023017	#N/A	HINGE CAP L7VC(EBL7V023,REV3A)	2
44	MM40100BCI2	#N/A	SCREW M4*10.0-B(NI,NYLOK)	4
45	HCL7V017018	M-LB-0813-0918	ID LABEL L7VC(HCL7V017,REV3A)	1
46	HCL7V002011	M-LB-0813-0745	SERIAL LEBAL(HCL7V002,REV3A)	1
47	JXL7V003017	#N/A	LCD FILM L7VC(JXL7V003,REV3B)	1
48	MM30050IBJ3	M-SCW-0824-0728	SCREW M3.0*5.0-I(NI)	4

VE710s-1 Exploded Parts List

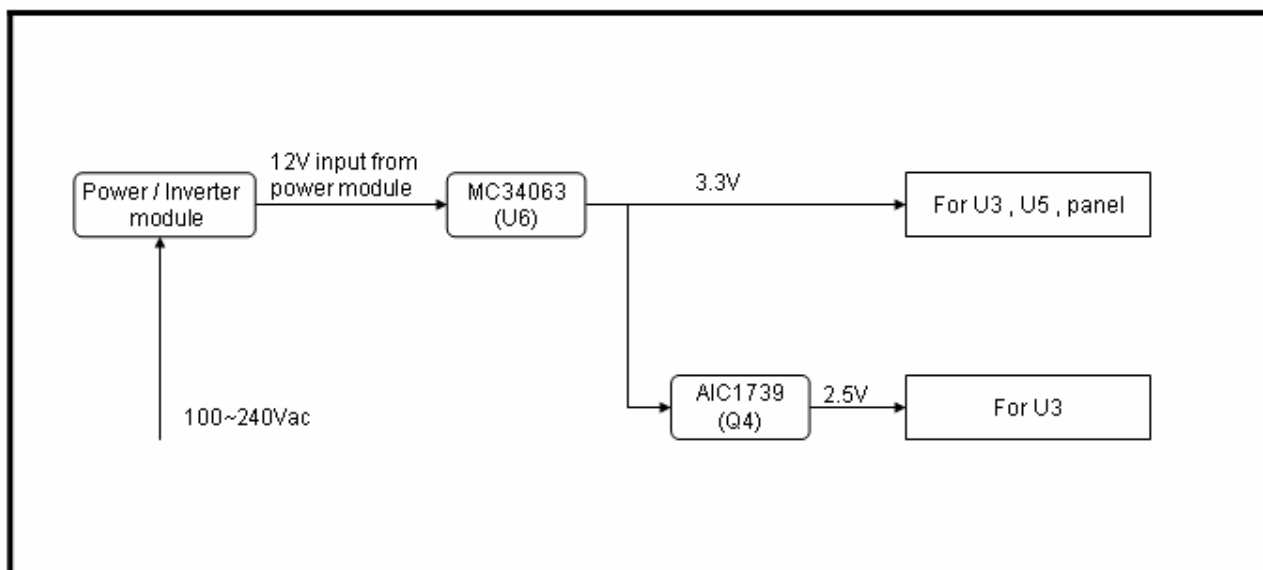
ITEM	Part Number	ViewSonic P/N	Part Description	UNIT
1	29L7VMB0000	B-MB-0201-2726	L7VC M/B ASSY	1
2	AS02B012009	B-SB-0221-0595	ADP/INV,ADP- 40AFB,90-264VAC	1
3	23L7VBB0026	B-CB-0206-0170	L7VC BUTTON/B ASSY	1
4	EAL7V012022	#N/A	LCD BEZEL-SILVER L7VC(EAL7V012,REV3B)	1
5	EBL7V021014	#N/A	LENS L7VC(EBL7V021,REV3A)	1
6	EBL7V022011	#N/A	CONTROL BUTTON L7VC(EBL7V022,REV3A)	1
7	FEL7V003019	#N/A	LOGO FRONT-VSC-38MM L7VC(FEL7V003,REV3A)	1
8	FEL7V004015	#N/A	BIRD LOGO-10MM L7VC(FEL7V004,REV3A)	1
9	EAL7V013029	#N/A	LCD COVER(BLACK) L7VC(EAL7V013,REV3B)	1
10	FBL7V007011	M-CV-0830-2484	KENSINGTON CAP(FBL7V007,REV3A)	1
11	FBL7V034019	#N/A	HINGE ASSY L7VC(FBL7V034,REV3A)	1
12	FBL7V036011	#N/A	VESA BKT-LONG L7VC(FBL7V036,REV3A)	1
13	FEL7V005011	#N/A	LOGO PLATE ELLIPSE L7VC(FEL7V005,REV3A)	1
14	GAL7V008017	#N/A	RUBBER PLUG VESA/BK L7VC(GAL7V008,R3B)	4
15	GBLM7003017	#N/A	GASKET-3 LM7S(GBLM7003,REV3A)	1
16	MF40080BJ29	M-SCW-0824-6797	SCREW F4.0*8-B(BNI)	15
17	FAL7V011018	#N/A	PCB BRACKET L7VC(FAL7V011,REV3A)	1
18	FCL7V011010	#N/A	P/B MYLAR-UP L7VC(FCL7V011,REV3A)	1
19	EBL70023013	#N/A	WIRE MOUNTS L70L-E(EBL70023,REV3A)	1
20	HCL7V005010	M-LB-0813-0894	WARNING LABEL, INVERTOR(HCL7V005,3A)	1
21	AA0170EA101	M-LCD-0826-0193	LCD(TFT) CLAA170EA03(17",1280*1024,SXGA)	1
22	FAL7V012014	#N/A	LCD BKT-L L7VC(FAL7V012,REV,3A)	1
23	FAL7V013011	#N/A	LCD BKT-R L7VC(FAL7V013,REV3A)	1
24	FCL7A001014	#N/A	AL FOIL L7A(FCL7A001,REV3A)	2
25	FCL7V012016	#N/A	P/B MYLAR-DOWN L7VC(FCL7V012,REV3A)	1
26	JXLM7002011	#N/A	FOIL LM7S(JXLM7002,REV3B)	1
27	MM30080BBJ2	M-SCW-0824-6798	SCREW M3.0*8,B(NI)	1
28	MM35080BBW2	M-SCW-0824-6799	SCREW M3.5*8-B (NI,WASHER)	1
29	MM30060IBJ8	M-SCW-0824-6800	SCREW M3.0*6.0-I(NI)	7
30	MF40080PBJ6	M-SCW-0824-6801	SCREW F4.0*8-P(NI)	2
31	MM30040IBJ9	M-SCW-0824-6802	SCREW M3.0*4.0-I(NI)	10
32	GAL7V010011	#N/A	RUBBER PLUG COVER /BK L7VC(GAL7V010,R3A)	2
33	EAL7V014025	#N/A	BASE(BLACK) L7VC(EAL7V014,REV3A)	1
34	FBL7V035015	#N/A	BASE PLATE L7VC(FBL7V035,REV3A)	1
35	GAL5V002013	#N/A	RUBBER FOOT L5VC	4
36	GAL7V007011	#N/A	RUBBER FOOT-FRONT L7VC(GAL7V007,R3A)	1
37	HCL7V020019	#N/A	STAND LABEL L7VC(HCL7V020,REV3A)	1
38	DDL7VCPB101	#N/A	CABLE ASSY L7VC POWER-MB(8P/8P,REV1A)	1
39	DDL7VCPC001	#N/A	CABLE ASSY L7VC MB-VGA(14/15P,REV1A)	1
40	DDL7VCTH004	#N/A	CABLE ASSY L7VC BUTTON-MB(8P/10P,REV1A)	1
41	DEFC0709607	#N/A	CABLE FFC L5TI MB-LCD50P/50P 70MM REV3A	1
42	DEFC0709704	#N/A	CABLE FFC L7VC MB-LCD(30P/30P,70MM REV1A	1
43	EBL7V023017	#N/A	HINGE CAP L7VC(EBL7V023,REV3A)	2
44	MM40100BCI2	#N/A	SCREW M4*10.0-B(NI,NYLOK)	4
45	HCL7V018014	M-LB-0813-0919	ID LABEL (SILVER) L7VC(HCL7V018,REV3A)	1
46	HCL7V002011	M-LB-0813-0745	SERIAL LABEL(HCL7V002,REV3A)	1
47	JXL7V003017	#N/A	LCD FILM L7VC(JXL7V003,REV3B)	1
48	MM30050IBJ3	M-SCW-0824-0728	SCREW M3.0*5.0-I(NI)	4

9. Block Diagram

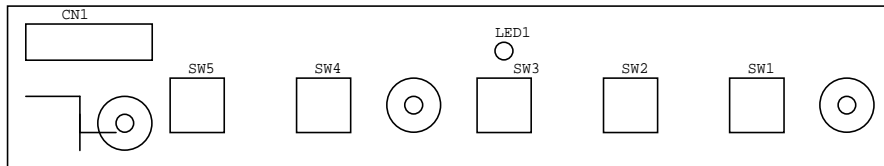
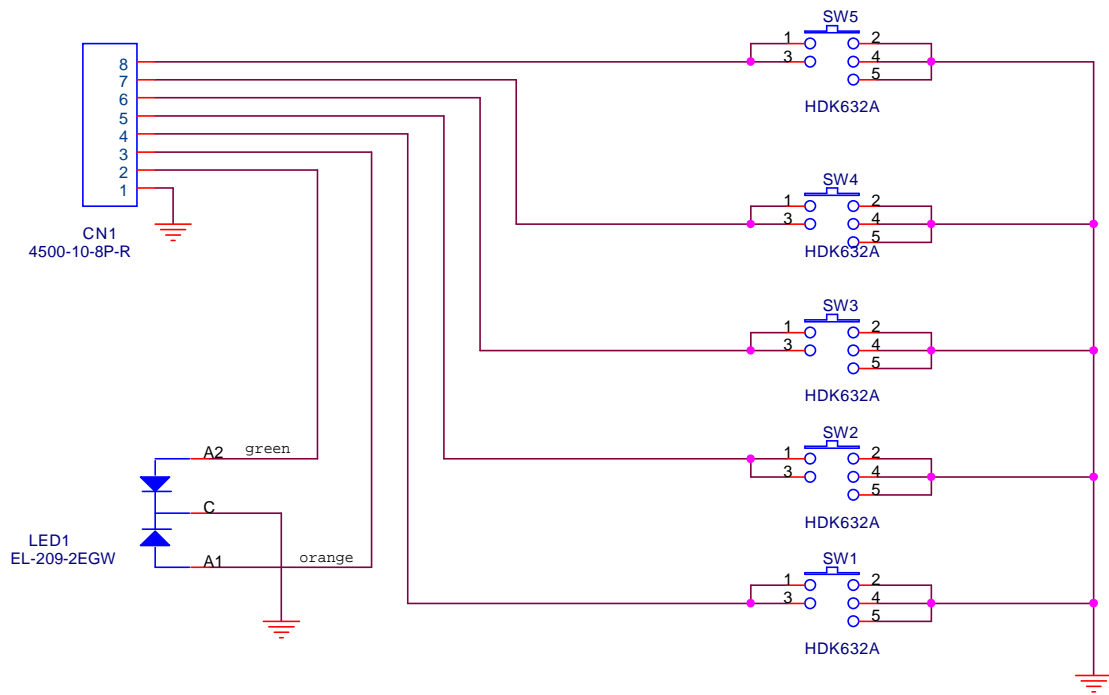
9.1 Video



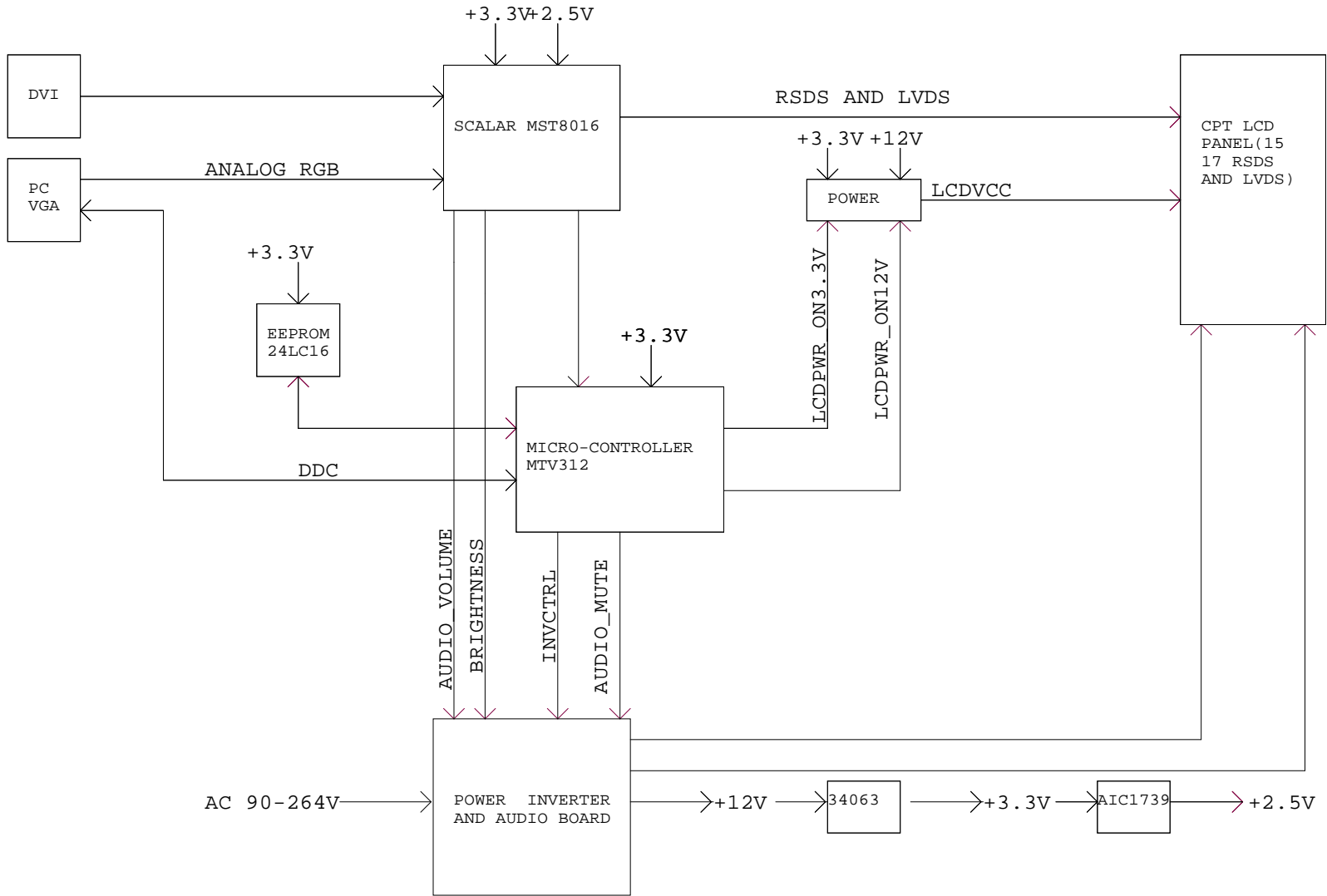
9.2 Power



10. Schematic Diagrams

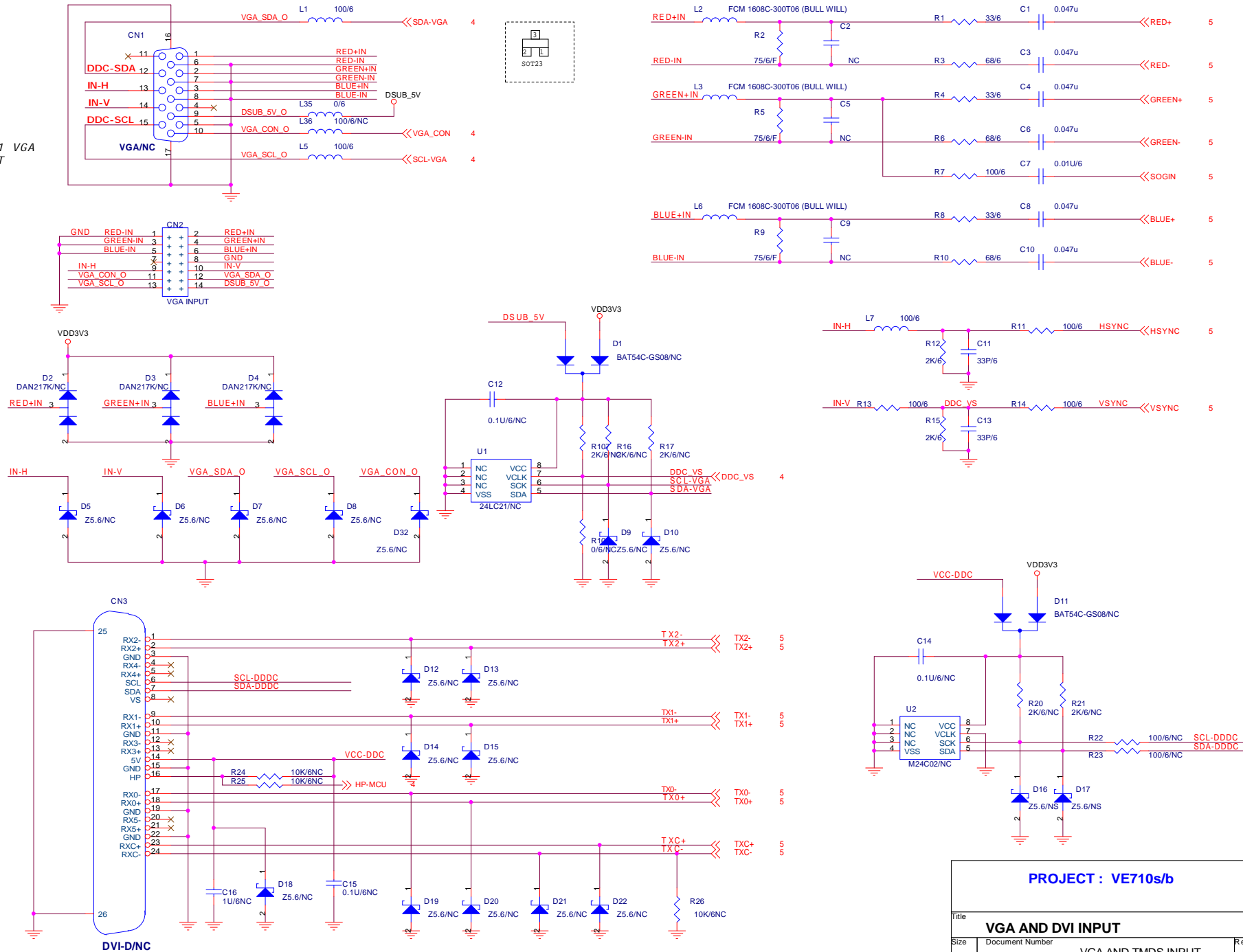


PROJECT :VE710s/b		
Title		
Button		
Size	Document Number	Rev
	BUTTON-BOARD	A
Date:	Monday, November 10, 2003	Sheet 2 of 2

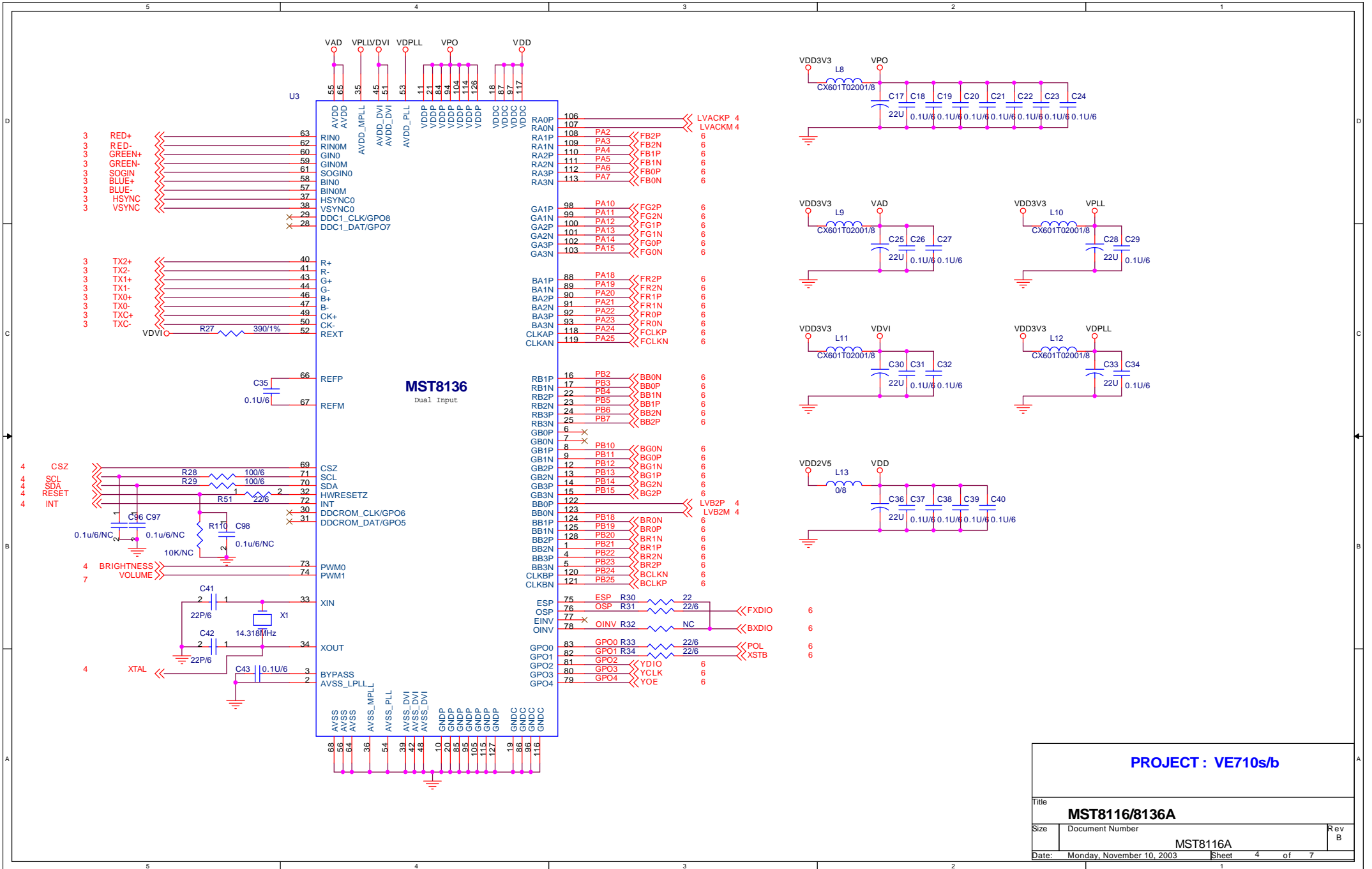


PROJECT : VE710s/b			
Title			
BLOCK DIAGRAM			
Size	Document Number	BLOCK DIAGRAM	Rev
			B
Date:	Monday, November 10, 2003	Sheet	2 of 7

PAGE1 VGA INPUT

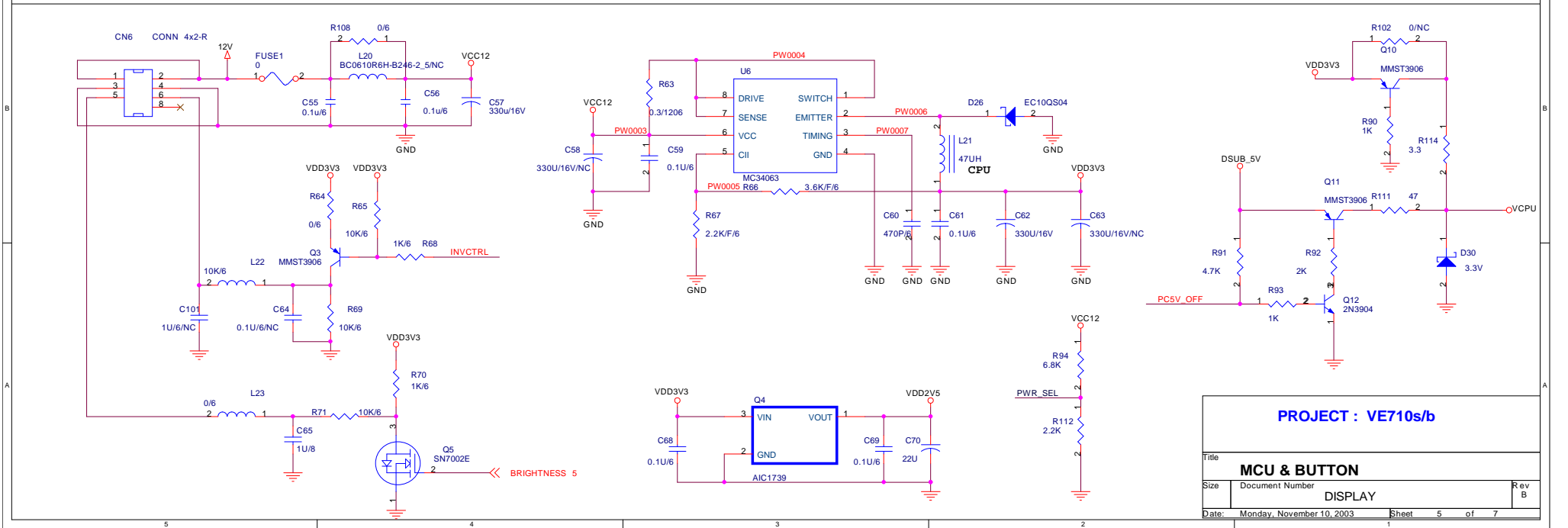
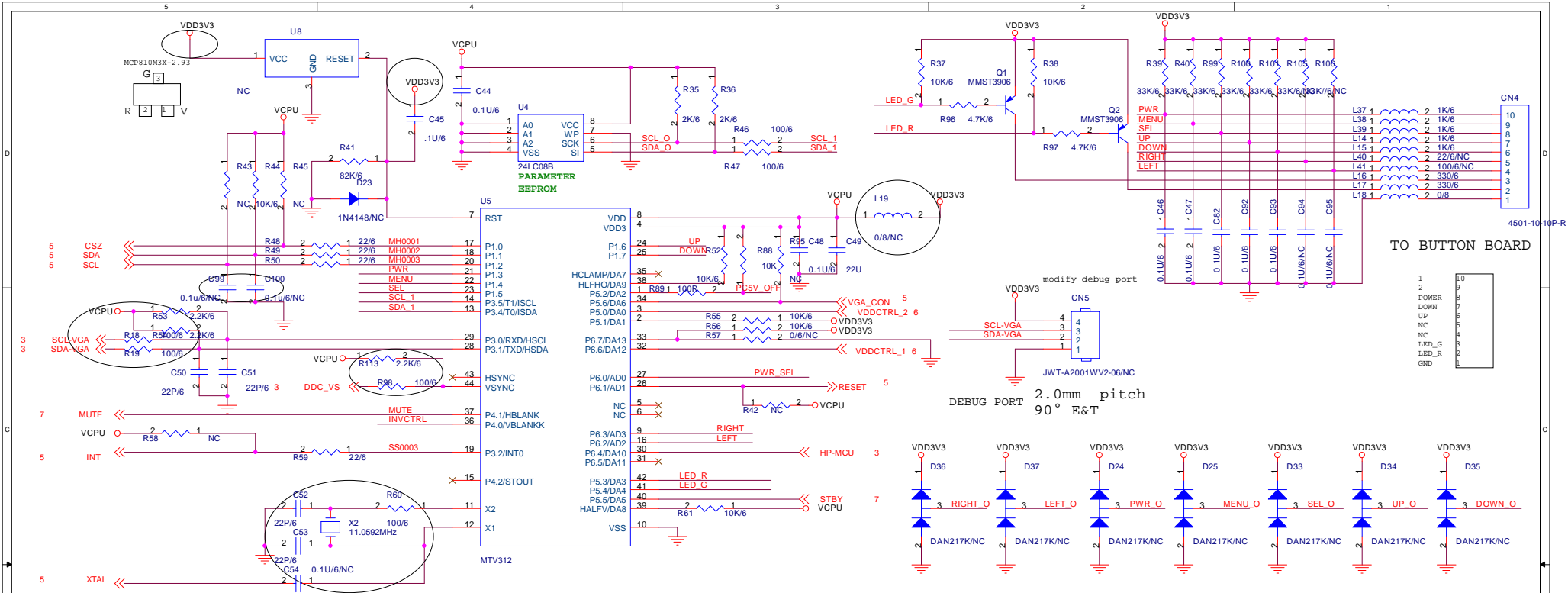


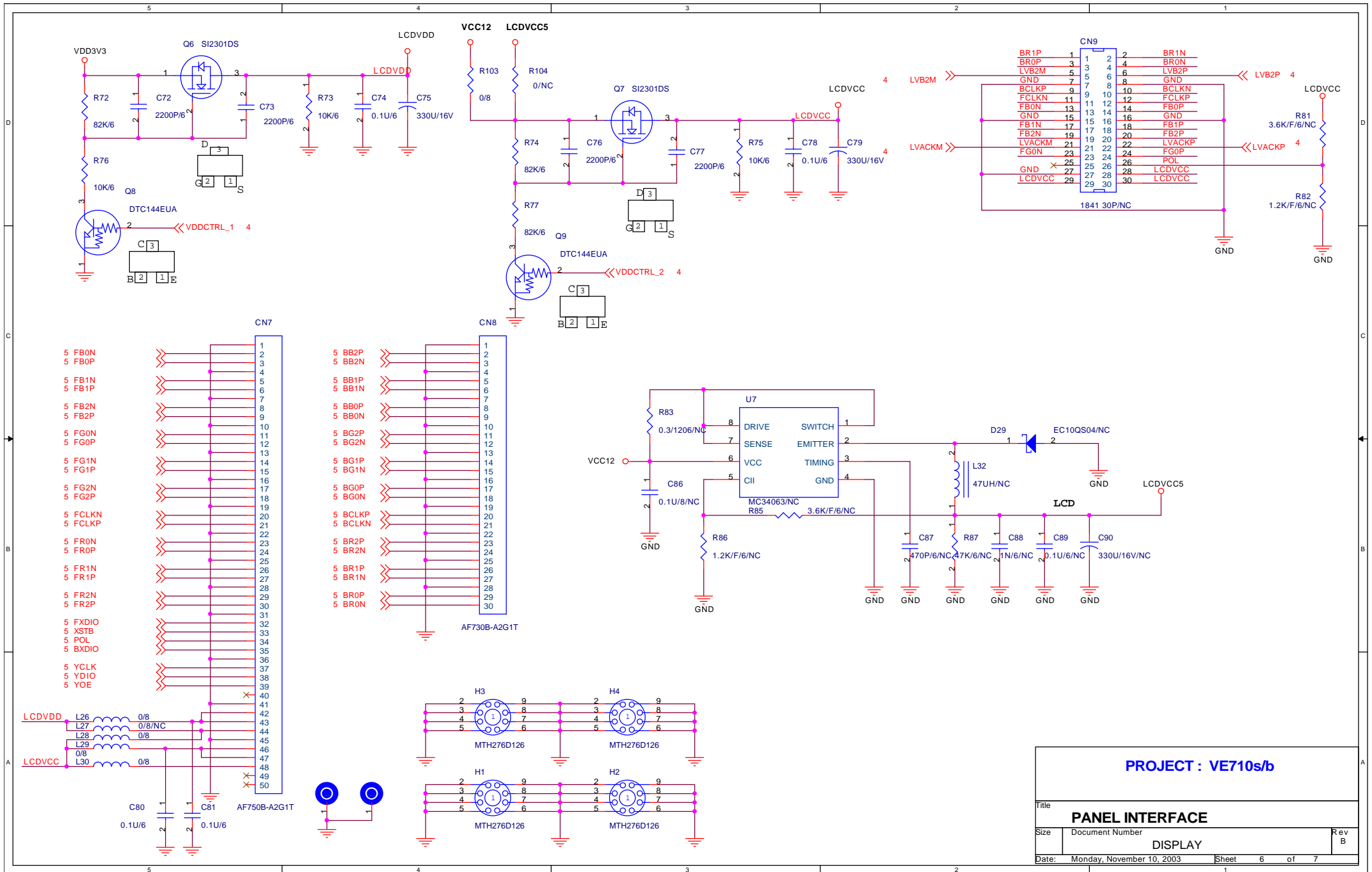
PROJECT : VE710s/b		
Title		
VGA AND DVI INPUT		
Size	Document Number	Rev
	VGA AND TMDS INPUT	B
Date:	Monday, November 10, 2003	Sheet 3 of 7



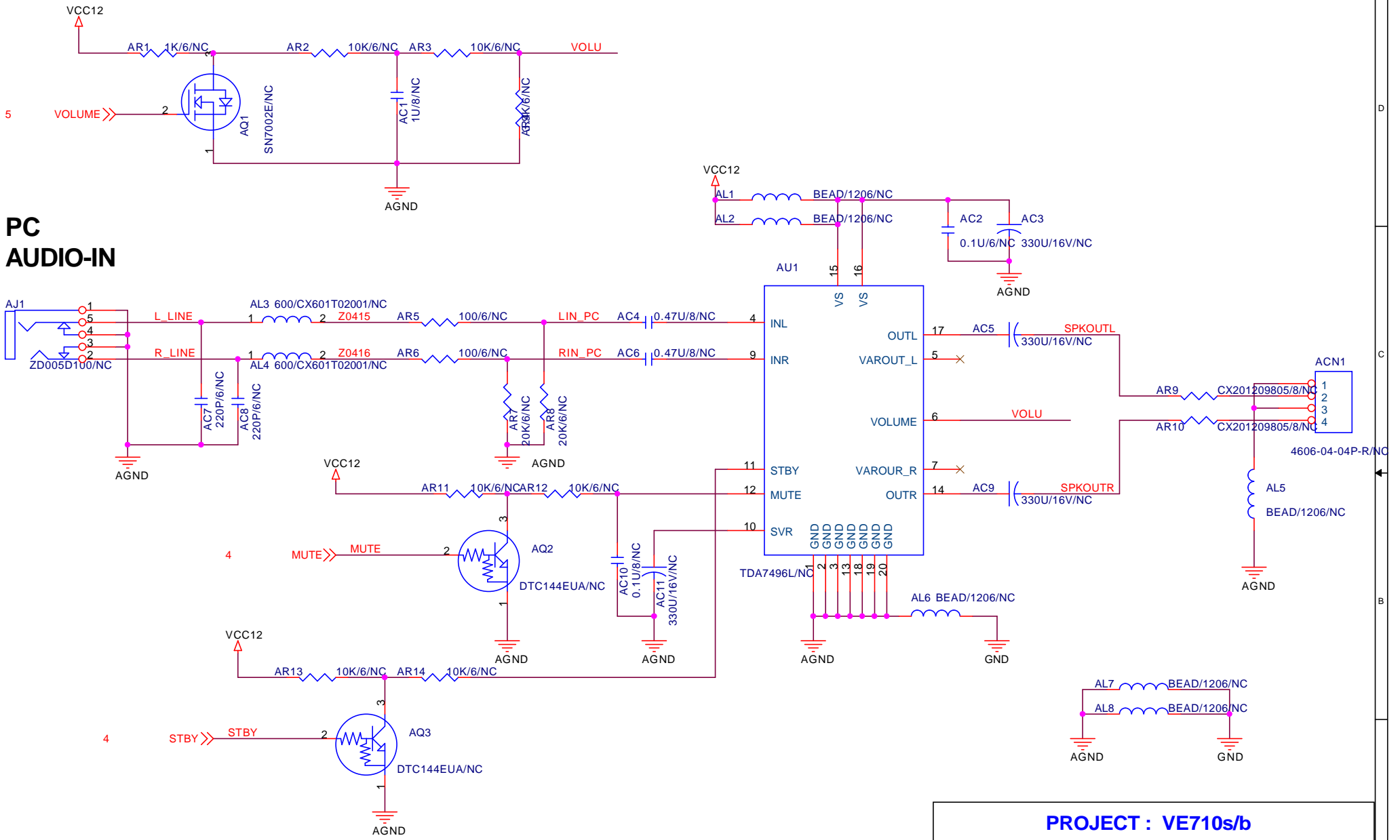
PROJECT : VE710s/b

Title		
MST8116/8136A		
Size	Document Number	Rev
	MST8116A	B
Date:	Monday, November 10, 2003	Sheet 4 of 7



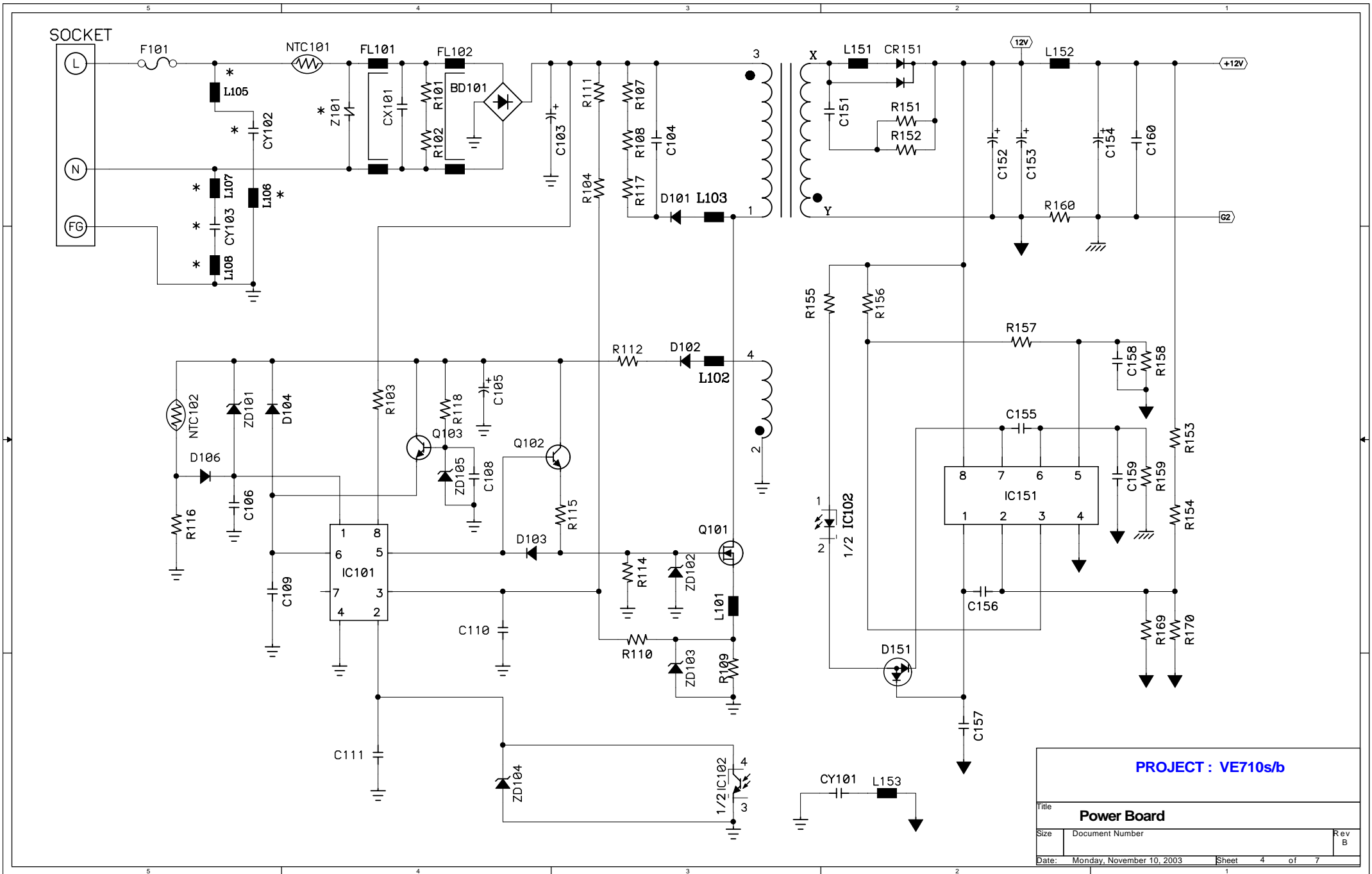


PC AUDIO-IN



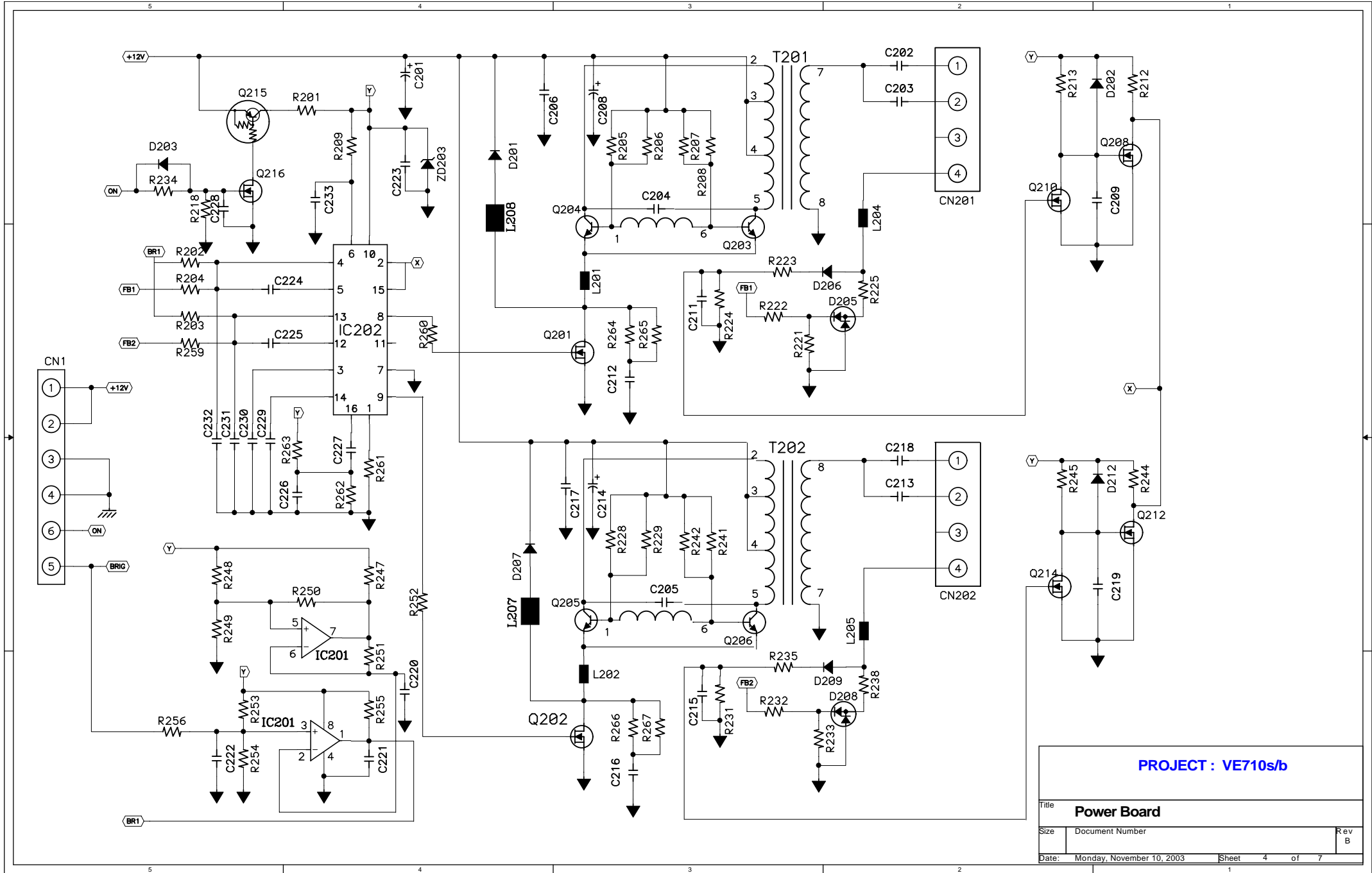
PROJECT : VE710s/b

Title			
Audio			
Size	Document Number	DISPLAY	
Date:	Monday, November 10, 2003	Sheet	7 of 7
		Rev	B



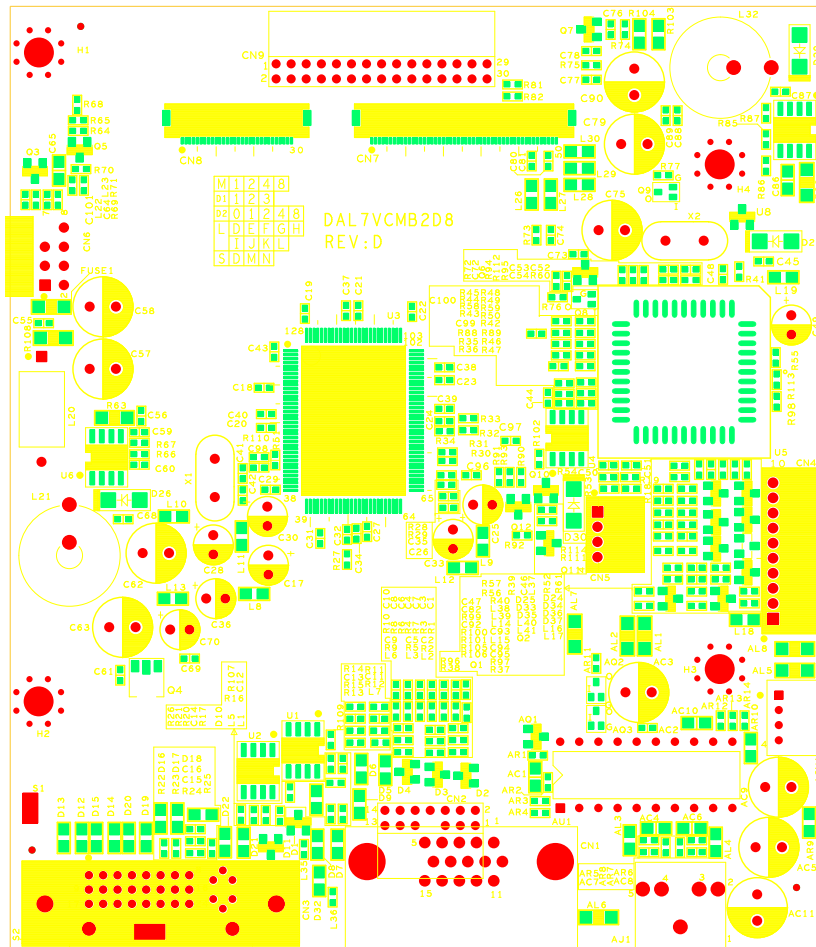
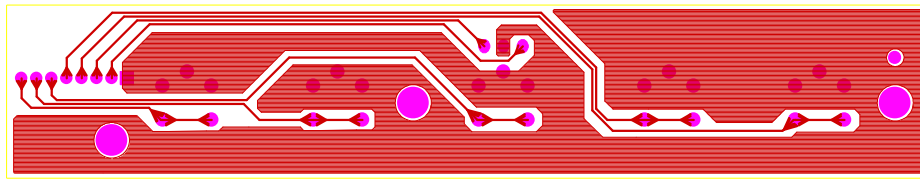
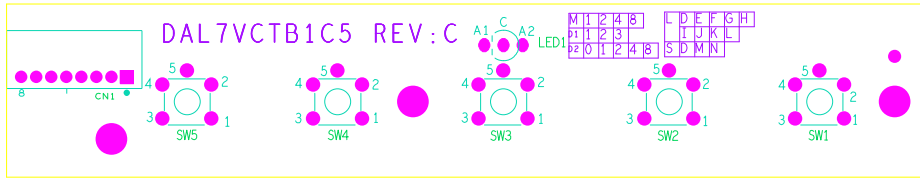
PROJECT : VE710s/b

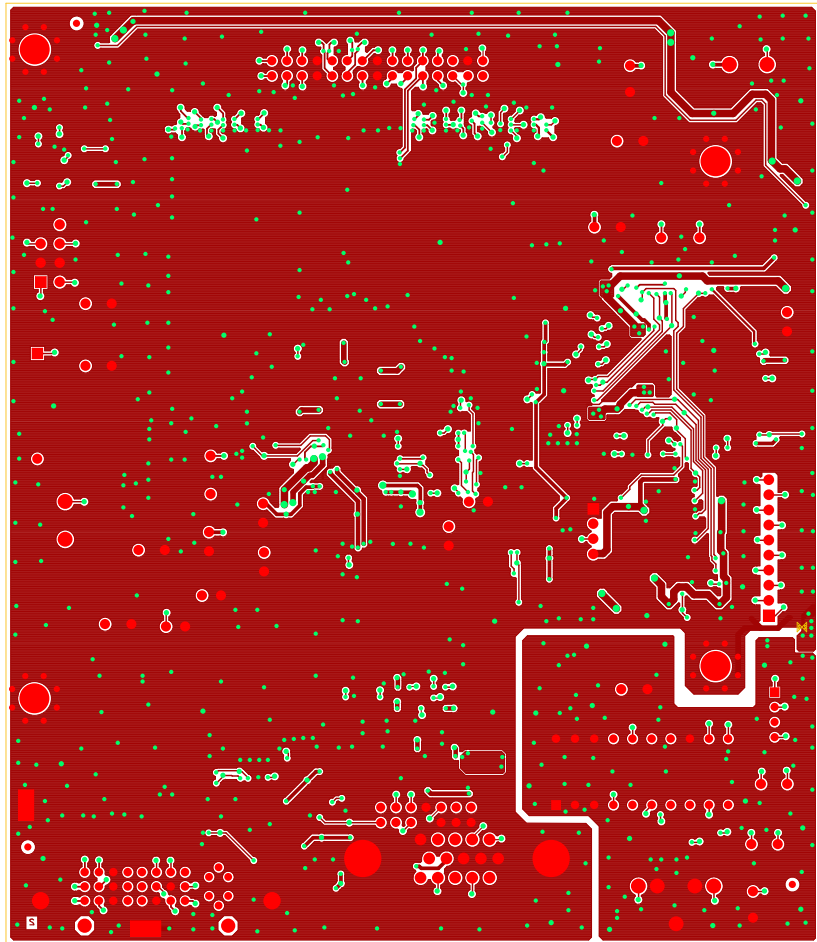
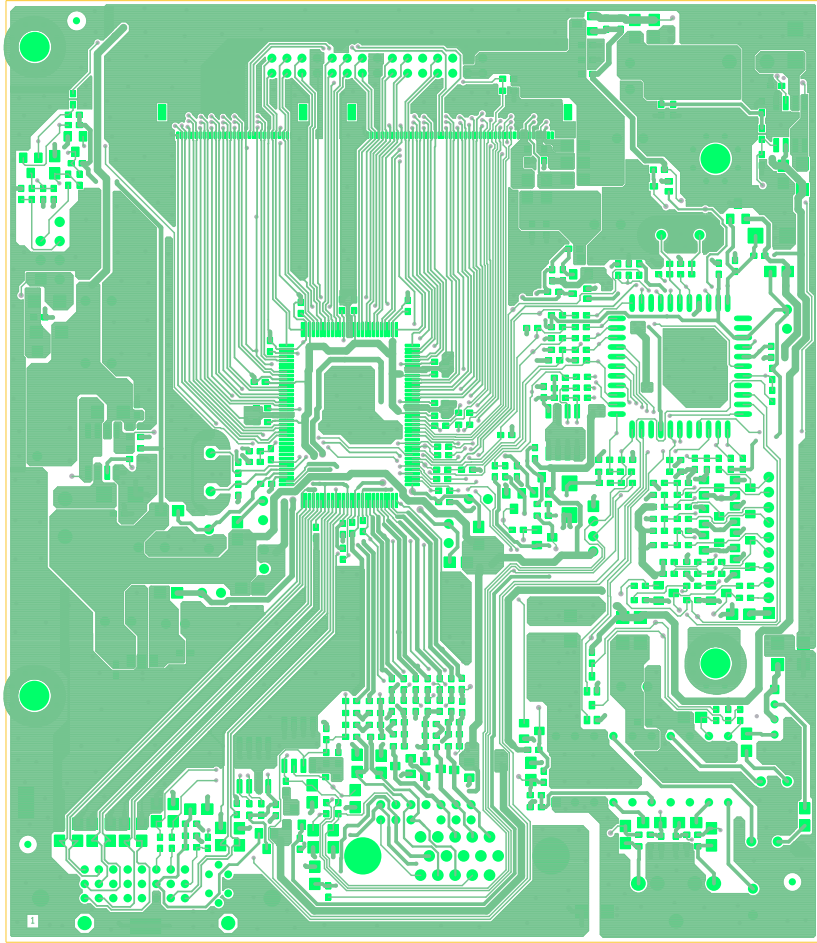
Title		
Power Board		
Size	Document Number	Rev B
Date: Monday, November 10, 2003	Sheet 4 of 7	



PROJECT : VE710s/b		
Title Power Board		
Size	Document Number	Rev B
Date: Monday, November 10, 2003	Sheet 4 of 7	

11. PCB Layout Diagrams





Reader's Response

Dear Readers:

Thank you in advance for your feedback on our Service Manual, which allows continuous improvement of our products. We would appreciate your completion of the Assessment Matrix below, for return to ViewSonic Corporation.

Assessment

A. What do you think about the content after reading **VE710b/s-1** Service Manual?

<i>Unit</i>	<i>Excellent</i>	<i>Good</i>	<i>Fair</i>	<i>Bad</i>
1. Precautions And Safety Notices				
2. Specification				
3. Front Panel Function Control Description				
4. Circuit Description				
5. Adjusting Procedure				
6. Trouble Shooting Flow Chart				
7. Recommended Spare Parts List				
8. Exploded Diagram and Spare Parts List				
9. Block Diagram				
10. Schematic Diagrams				
11. PCB Layout Diagrams				

B. Are you satisfied with the **VE710b/s-1** service manual?

<i>Item</i>	<i>Excellent</i>	<i>Good</i>	<i>Fair</i>	<i>Bad</i>
1. Service Manual Content				
2. Service Manual Layout				
3. The form and listing				

C. Do you have any other opinion or suggestion about this service manual?

Reader's basic data:

Name:		Title:	
Company:			
Add:			
Tel:		Fax:	
E-mail:			

After completing this form, please return it to ViewSonic Quality Assurance in the USA at facsimile 1-909-839-7943. You may also e-mail any suggestions to the Director, Quality Systems & Processes (marc.maupin@viewsonic.com)