

TOSHIBA

FILE NO. 030-200507

SERVICE MANUAL

Plasma Color Television

42WP56P



TABLE OF CONTENTS

SERVICE SAFETY PRECAUTIONS	3
SERVICE MODE	5
LOCATION OF CONTROLS	10
LAYOUT OF MAJOR BOARDS	12
MECHANICAL DISASSEMBLY	13
EXPLODED VIEW	15
PACKING DISASSEMBLY	17
CHASSIS AND CABINET REPLACEMENT PARTS LIST	18
PC BOARDS TOP & BOTTOM VIEW	23
CIRCUIT BLOCK DIAGRAM	37
SPECIFICATIONS	38
APPENDIX:	
SCHEMATIC DIAGRAM	






SERVICE SAFETY PRECAUTIONS






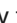



- The caution items shown here describe major safety issues and should always be observed.
- The meanings of the various indications are as follows.

 WARNING	Indicates a hypothetical situation in which service personnel and nearby third parties, or even end users due to a product defect after the service operation is completed, could possibly be in danger of injury or even death in the event of operational error.
 CAUTION	Indicates a hypothetical situation in which service personnel and nearby third parties, or even end users after the service operation is completed, could possibly be in danger of injury, or where there could be physical damage in the event of operational error.

* Physical damage means major damage to a home, furnishings and other possessions.




Examples of marks

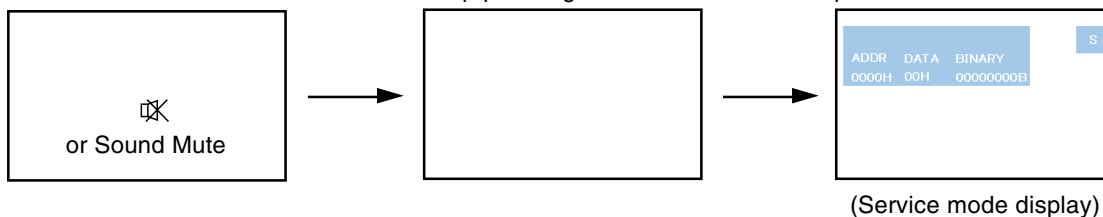
 SHOCK HAZARD	The Δ indicates caution (including danger and warning). The actual meaning of this caution is indicated inside the Δ or nearby illustrations or text. The example shown to the left indicates the danger of "electrical shock".
 PROHIBIT DISASSEMBLING	The \ominus indicates a forbidden action. The actual meaning of this caution is indicated inside the \ominus or nearby illustrations or text. The example shown to the left indicates that disassembly is forbidden.
 UNPULUG	The \bullet indicates a forced action (an action that must be performed). The actual meaning of this forced action is indicated by \bullet or nearby illustrations or text. The example shown to the left indicates that the power plug must be disconnected.

	 WARNING
 KEEP CHILDREN AWAY	<ul style="list-style-type: none"> • Always advise users to keep children away. There is danger of injury to children from tools, disassembled products, etc.
 UNPLUG	<ul style="list-style-type: none"> • Always disconnect the power plug before starting work whenever power is not required. Failure to disconnect the power plug before starting work can result in electrical shock.
 SHOCK HAZARD	<ul style="list-style-type: none"> • Depending on the model, use an insulation transformer or wear gloves when servicing with the power on, and disconnect the power plug to avoid electrical shock when replacing parts. In some cases, alternating current is also impressed in the chassis, so electrical shock is possible if the chassis is contacted with the power on.
 USE SPECIFIED PARTS	<ul style="list-style-type: none"> • Always use the replacement parts specified for the particular model when making repairs. The parts used in products have the necessary safety characteristics such as inflammability, voltage resistance, etc.; therefore, use only replacement parts that have these same characteristics. Use only the specified parts when the  mark is included in a circuit diagram or parts list.
 CAUTION FOR WIRING	<ul style="list-style-type: none"> • Parts mounting and routing of the wiring should be the same as that used originally. For safety purposes, insulating materials such as tubing or tape is sometimes used and printed circuit boards are sometimes mounted floating. Also make sure that wiring is routed and clamped to avoid parts that generate heat and which use high voltage. Always follow the original scheme.
 CAUTION FOR ASSEMBLING / WIRING	<ul style="list-style-type: none"> • After a repair has been completed, reassemble all disassembled parts, and route and reconnect the wiring, in accordance with the original scheme. Do not allow internal wiring to be pinched by cabinets, panels, etc. Any error in reassembly or wiring can result in electrical leakage, flame, etc., and may be hazardous.
 CHECK INSULATION RESISTANCE	<ul style="list-style-type: none"> • After completing the work, disconnect the power plug from the outlet, remove the antenna, turn on the power switch. Then, use a 500V insulation resistance meter to check the insulation resistance of the antenna terminal, other metallic parts and between the prongs of the power plug to make sure that the insulation resistance is 1M Ω or more. The set will require inspection and repair if the insulation resistance is below this value.
 PROHIBIT REMODELING	<ul style="list-style-type: none"> • Never remodel the product in any way. Remodeling can result in improper operation, malfunction, or electrical leakage and flame, which may be hazardous

SERVICE MODE

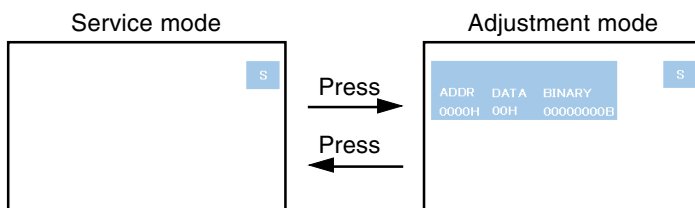
1. ENTERING SERVICE MODE

- 1) Press  button once on Remote Control.
- 2) Press  button again and keep pressing.
- 3) While pressing the  button, press MENU button on TV set.




2. DISPLAYING THE ADJUSTMENT MENU

- 1) Press MENU button on TV.



3. KEY FUNCTION IN THE SERVICE MODE

The following key entry during display of adjustment menu provides special functions.

Test signal selection :	-⊖ button (on Remote)	
Selection of the adjustment items :	Channel ▲/▼ (on TV or Remote)	
Change of the data value :	Volume  +/- (on TV or Remote)	
Adjustment menu mode ON/OFF :	MENU button (on TV)	
Initialization of the memory :	CALL + Channel button on TV (▲)	
Reset the count of operating protect circuit to "00":	CALL + Channel button on TV (▼)	
"RCUT" selection :	1 button	
"GCUT" selection :	2 button	
"BCUT" selection :	3 button	
"SCNT" selection :	4 button	
"COLP" selection :	5 button	----- Color thickness correction
"TNTC" selection :	6 button	note: Displayed differently as shown below, depending on the setting of the receiving color system.
Automatic A/D Adjustment(PC, Component) :	7 button	COLP (PAL)
Self diagnostic display ON/OFF :	9 button	COLC (NTSC)
		COLS (SECAM)

CAUTION : Never try to perform initialization unless you have changed the memory IC.

4. SELECTING THE ADJUSTING ITEMS

- 1) Every pressing of CHANNEL ▲ button in the service mode changes the adjustment items in the order of table-2.
(▼ button for reverse order)

5. ADJUSTING THE DATA

- 1) Pressing of VOLUME ▲ +/- button will change the value of data in the range from 00H to FFH. The variable range depends on the adjusting item.

6. EXIT FROM SERVICE MODE

- 1) Pressing POWER button to turn off the TV once.

■ INITIALIZATION OF MEMORY DATA

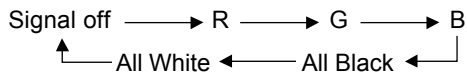
After replacing EEPROM IC, the following initialization is required.

1. Enter the service mode, then select any register item.
2. Press and hold the CALL button on the Remote, then press the CHANNEL ▲ button on the TV. The initialization of EEPROM IC has been completed.
3. Check the picture carefully. If necessary, adjust any adjustment item above.
Perform "Auto tune" on the owner's manual.

CAUTION: Never attempt to initialize the data unless EEPROM IC has been replaced.

7. TEST SIGNAL SELECTION

- 1) Every pressing of -⊖ button on the Remote Control changes the built-in test patterns on screen as described below in SERVICE MODE.



Signals	Picture
<ul style="list-style-type: none">• Red raster• Green raster• Blue raster• All Black• All White	

8. SELF DIAGNOSTIC FUNCTION

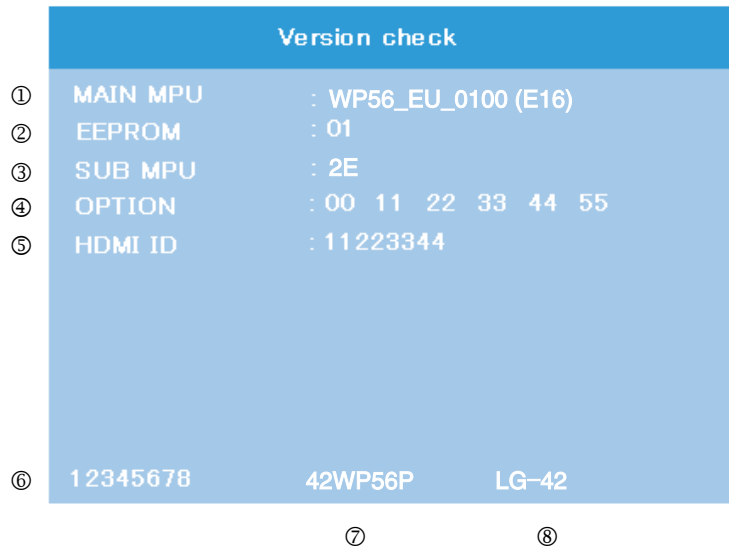
- 1) Press "9" button on Remote Control during display of adjustment menu in the service mode.
The diagnosis will begin to check if interface among IC's is executed properly.
- 2) During diagnosis, the following displays are shown.



- ① Firmware :
Version information of microprocessor
In case of file name : WP56_EU and Version : 0100 indicates[WP56_EU_0100].
- ② Time : Total hour of turn the TV on. (Unit : H)
- ③ Power : Operation number of protecting circuit ----"000" is normal.
When indication is other than "000", overcurrent apt to flow, and circuit parts may possibly be damaged.
- ④ Bus line : --"OK" is normal
"SCL-GND"(Red indication) : SCL-GND short circuit
"SDA-GND"(Red indication) : SDA-GND short circuit
"SCL-SDA"(Red indication) : SCL-SDA short circuit
- ⑤ Bus cont : --- "OK" is normal.
NG is abnormal(Red indication), when type name of semiconductor indicates.
- ⑥ Block
UV : TV reception mode
V1 : VIDEO 1 input mode (→ 1)
V2 : VIDEO 2 input mode (→ 2)
V3 : VIDEO 3 input mode (→ 3)
- ⑦ 8 digit : CD number
- ⑧ Model name (7 digit)

9. VERSION CHECK MODE

- 1) Press “9” button twice on Remote Control during display of adjustment menu in the service mode. The version of main MPU will begin to check.
- 2) During Version Check, the following displays are shown.



- ① MAIN MPU :
Version information of microprocessor
In case of file name : WP56_EU, Version 0100 for Code Program Version and (E16) for OSD Version indicates [WP56_EU_0100(E16)]
- ② EEPROM :
Version information of EEPROM : Display 1 byte data.
- ③ SUB MPU :
Version information of SUB MPU : Display 1 byte data.
- ④ OPTION :
Option information : Display six numbers of 1 byte data.
- ⑤ HDMI ID :
HDMI ID information : Display 4 byte data.
- ⑥ CD number : Display 8 digit number
- ⑦ Model name : Display 7 digit number
- ⑧ Panel Vender information display
The following Panel Vender and screen size are displayed.

Panel	Panel Vender	Screen Size(Inch)
LCD	LPL	-23
	SHP	-26
	CMO	-27
		-32
		-37
		-42
PDP	LG	-42

Example : LG-42 indicates that Vender is LG and Screen Size is 42 inch.

10. STATUS CHECK MODE

- 1) Press "9" button thrice on Remote Control during display of adjustment menu in the service mode. The status of this model will begin to check.
- 2) During Status Check, the following displays are shown.

Status check	
①	MAIN : EXT1
②	MAIN FORMAT : 1080i-50
③	MAIN PLL : C6 38 54 CE 08
④	SCREEN SIZE : Super live
⑤	OTHER STATUS : 0000 0000 0000

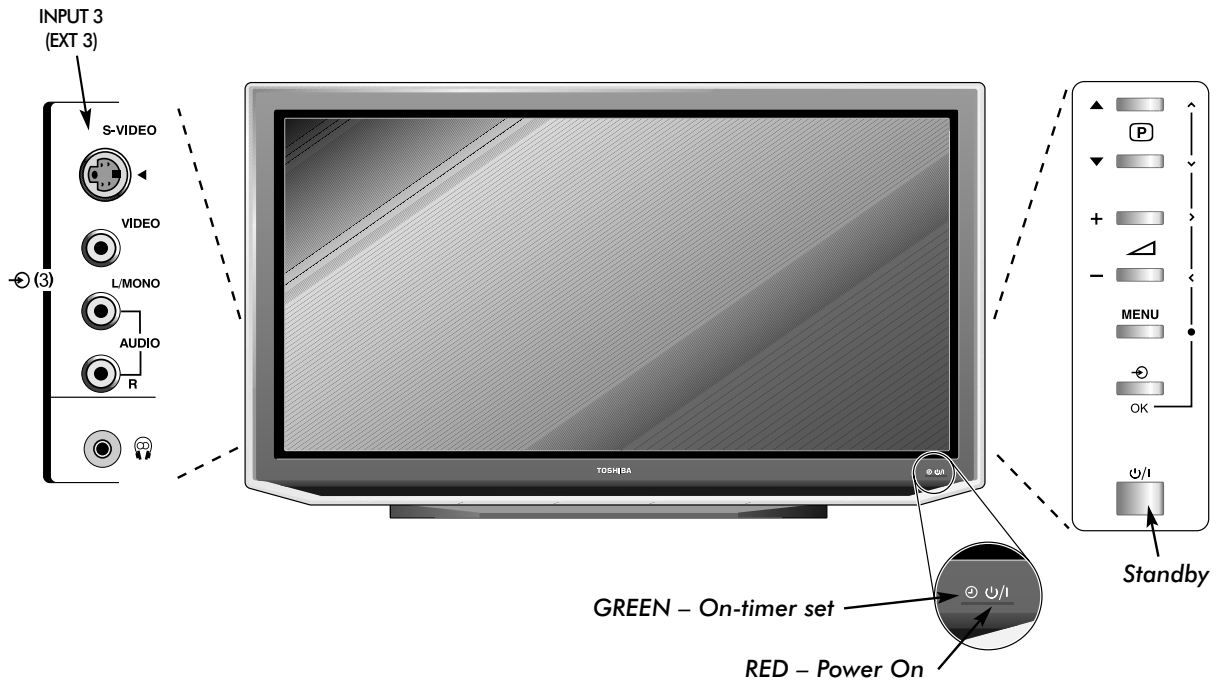
- ① MAIN :
Main source information :
Display RF position number (0 - 99) on the main screen, or Input Source (EXT1/2/3/HDMI etc.)
- ② MAIN FORMAT :
Display Video and PC format information
- ③ MAIN PLL :
Main PLL information : Display five numbers of 1 byte data.
- ④ SCREEN SIZE :
Display the screen size as follows.

Super live
Cinema
Subtitle
14:9
Wide
4:3

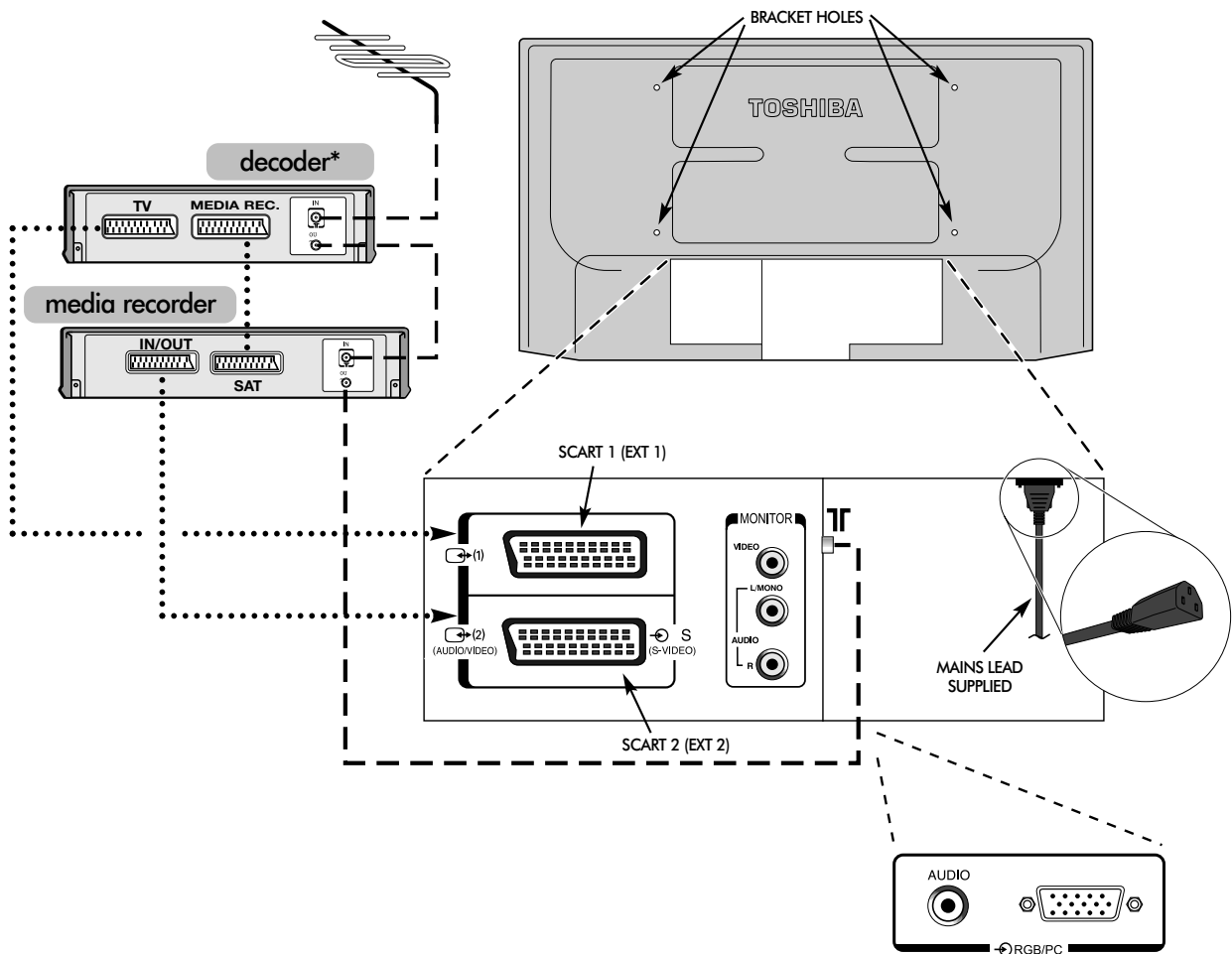
- ⑤ OTHER STATUS :
Other status information : Display three numbers of 2 byte data.

LOCATION OF CONTROLS

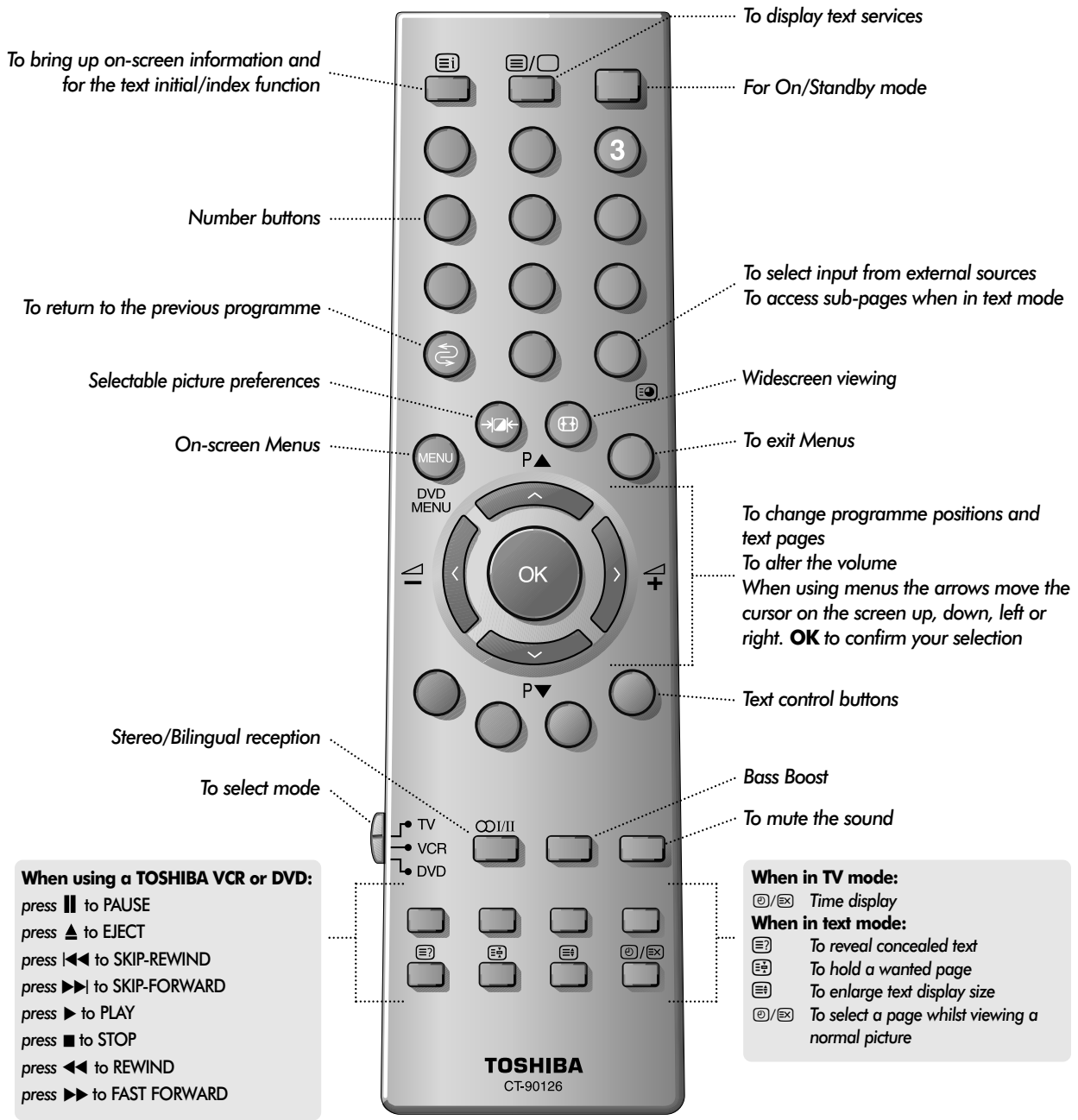
CONTROLS AND INPUT CONNECTIONS



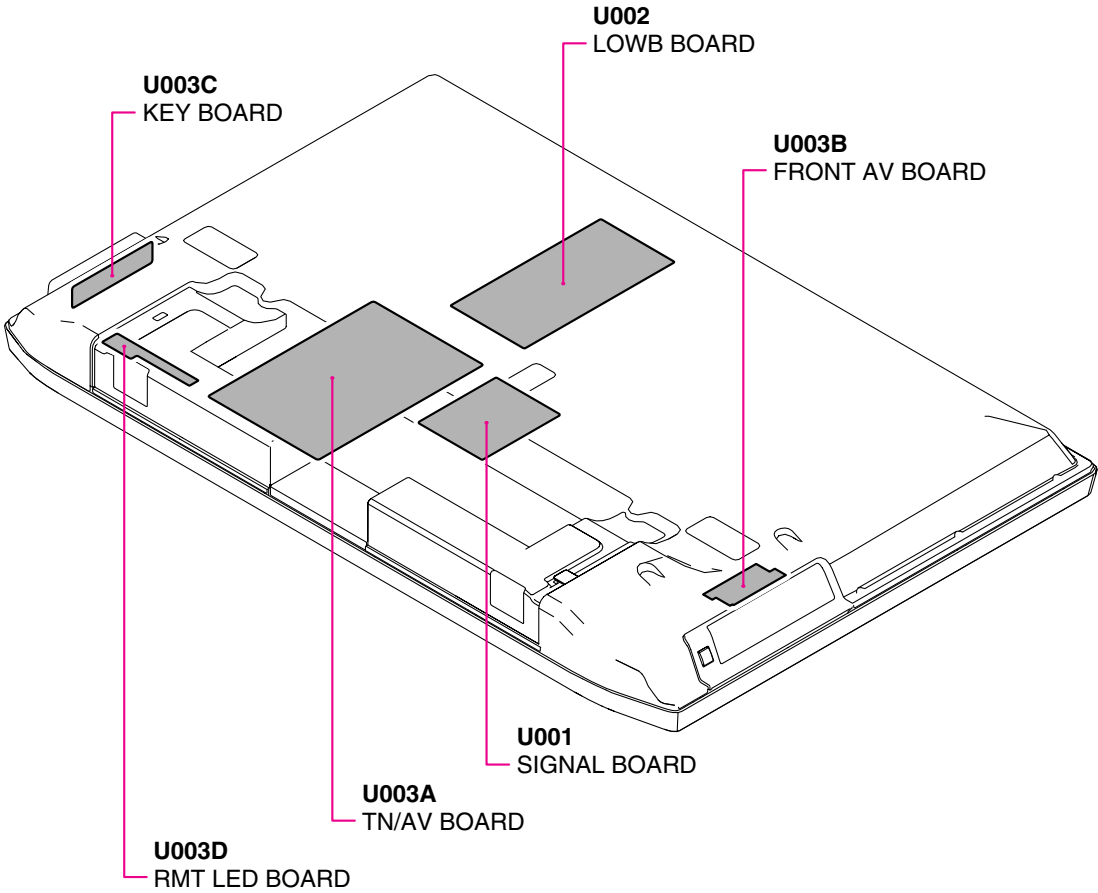
CONNECTING EXTERNAL EQUIPMENT



Remote control

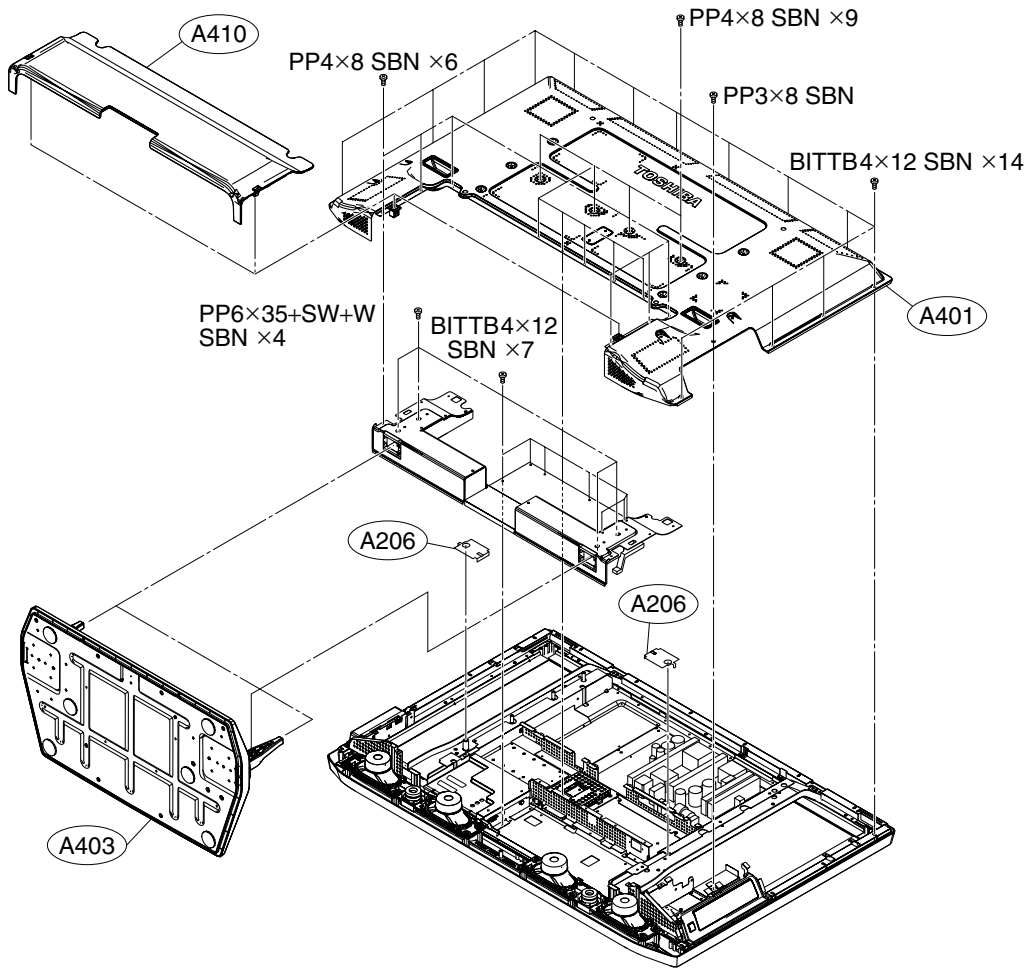


LAYOUT OF MAJOR BOARDS

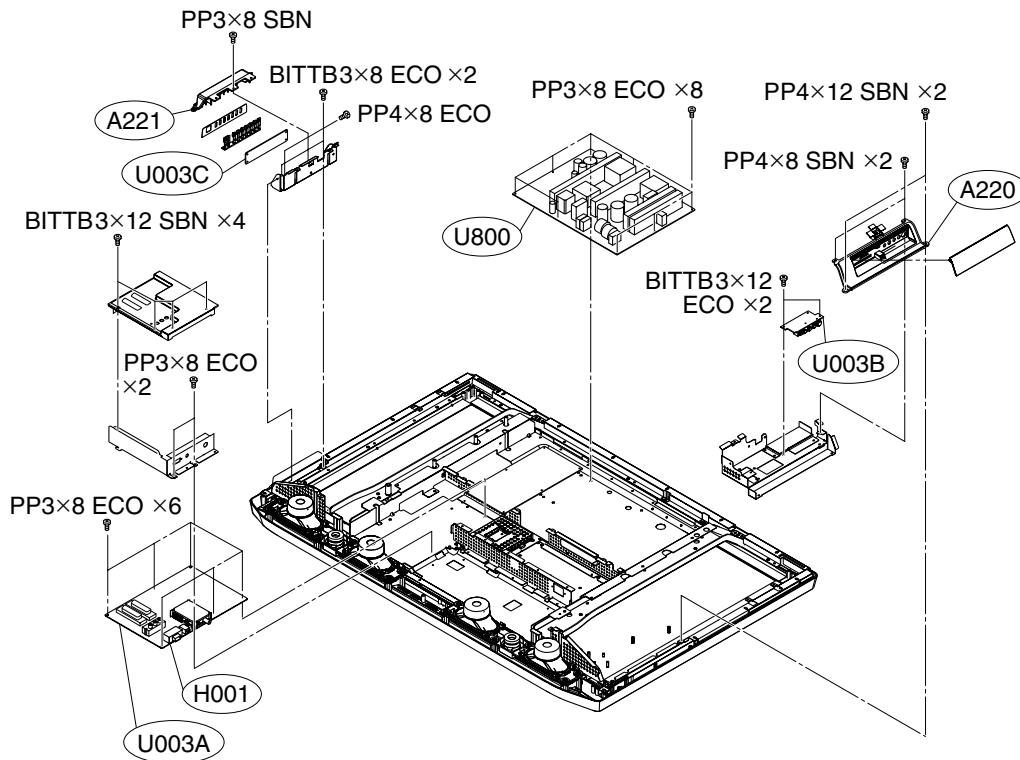


MECHANICAL DISASSEMBLY

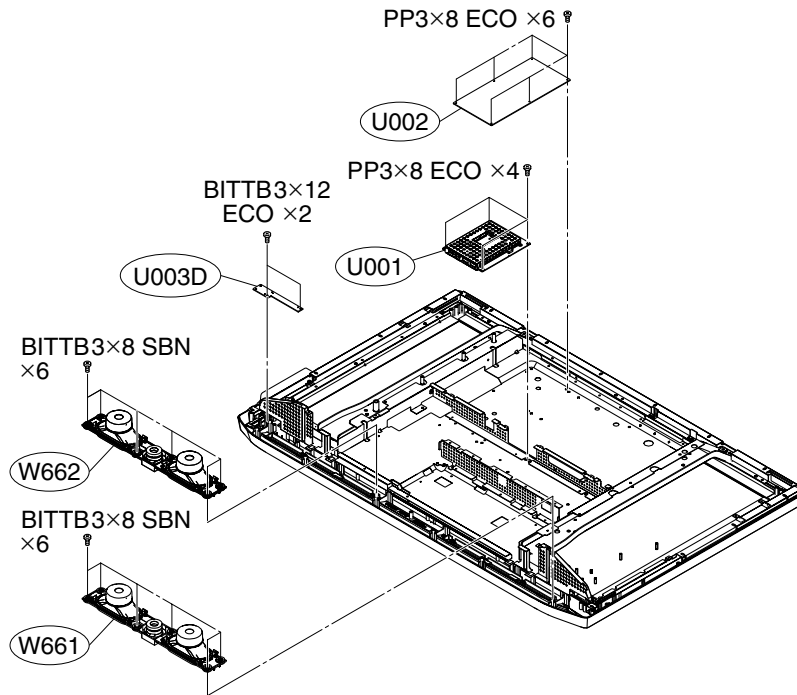
1. Remove the stand (foot) and back cover.



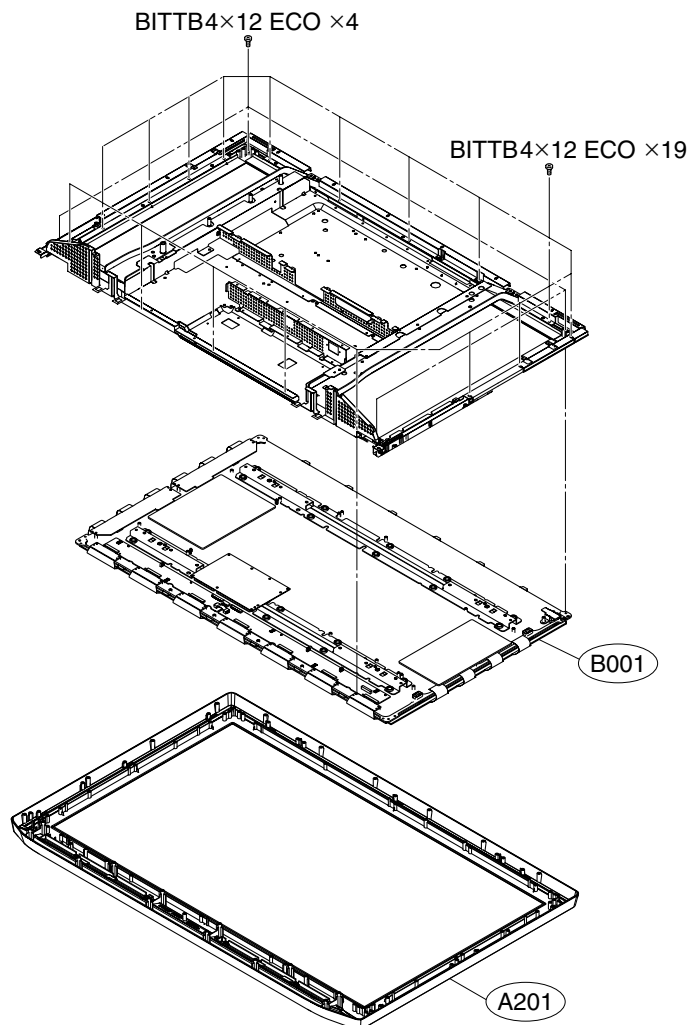
2. Remove the boards (LOWB, TN/AV, FRONT AV, KEY) and piece key ass'y.



3. Remove the boards (SIGNAL, RMT LED) and speaker.

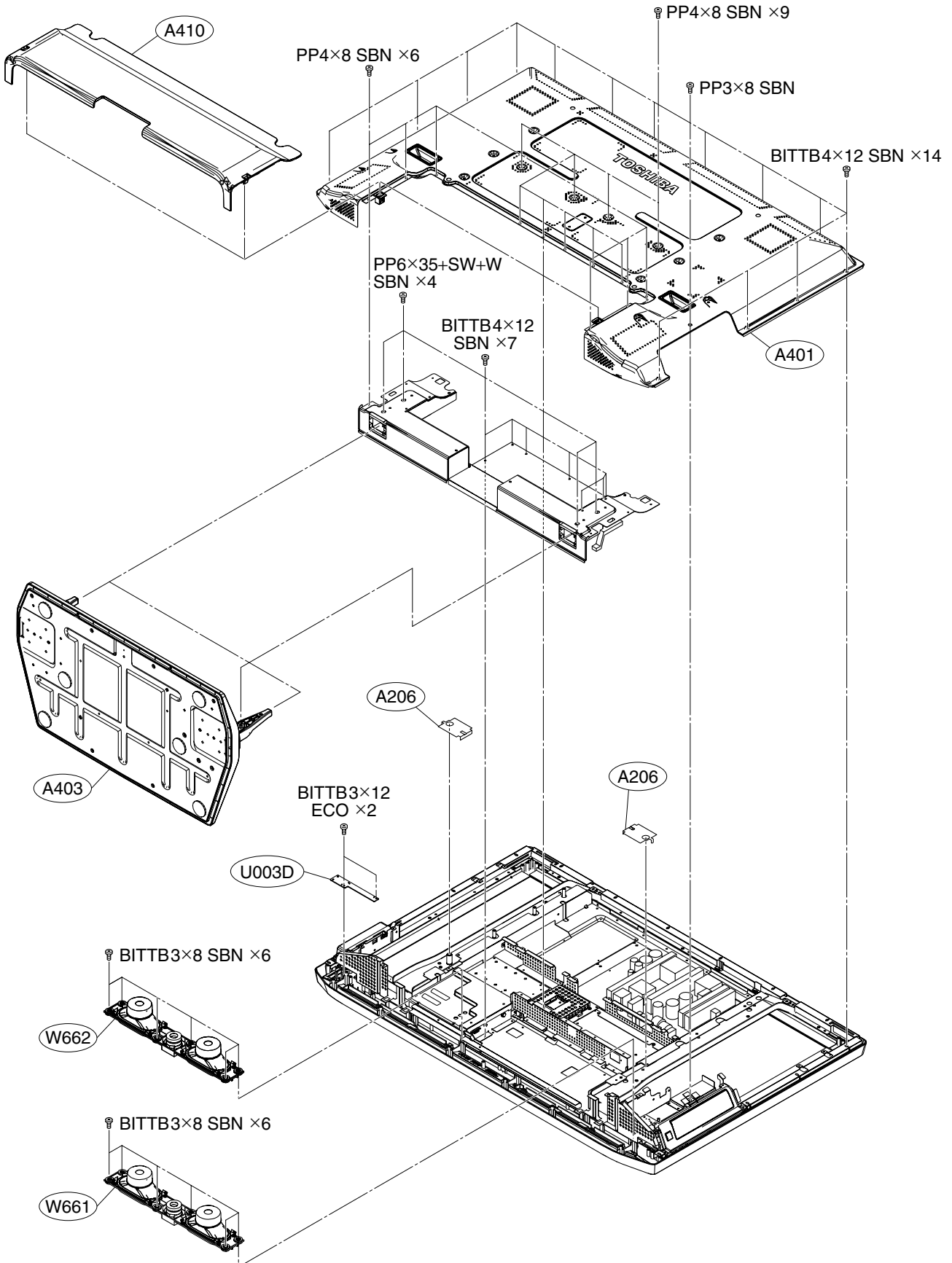


4. Remove the display.

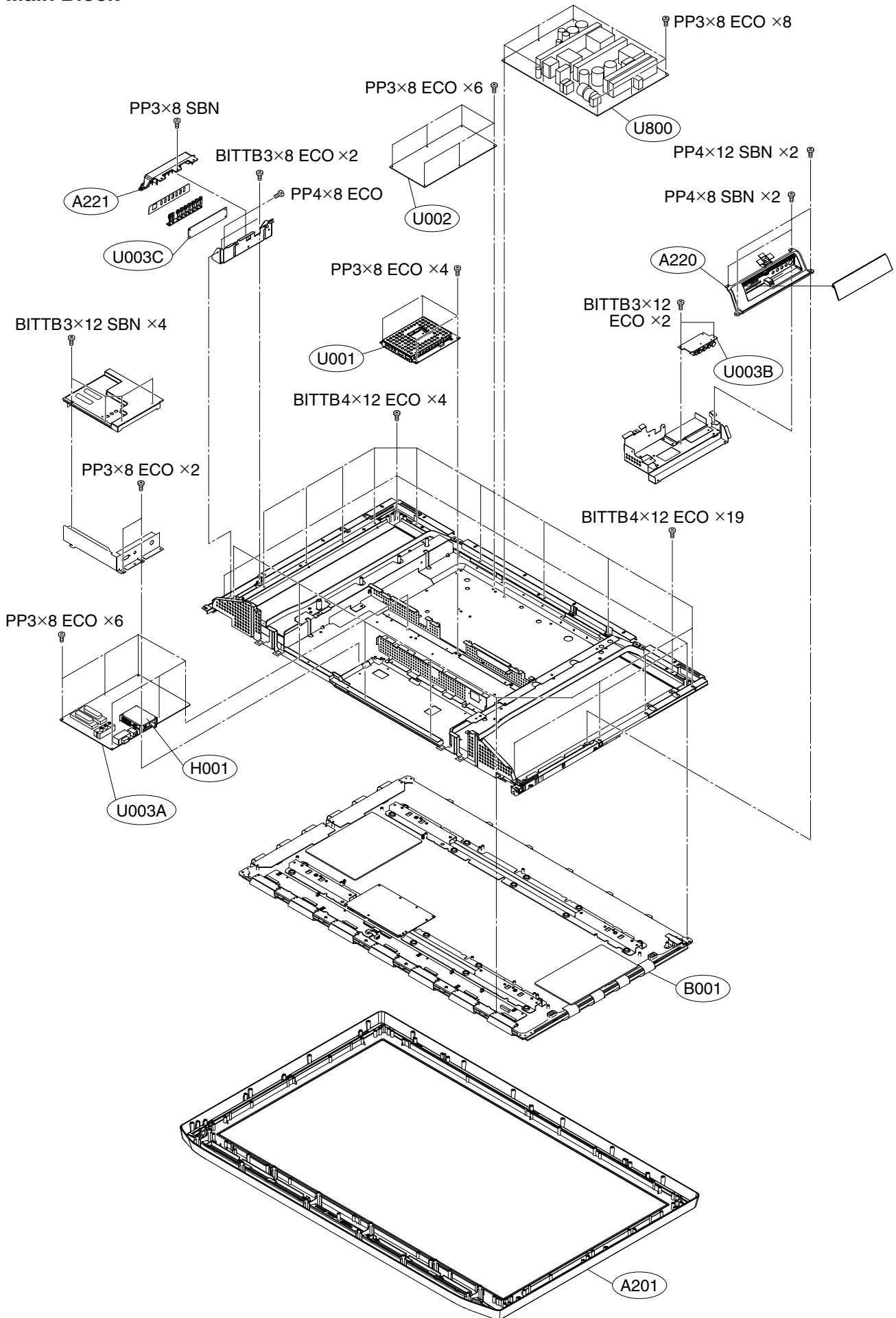


EXPLODED VIEWS

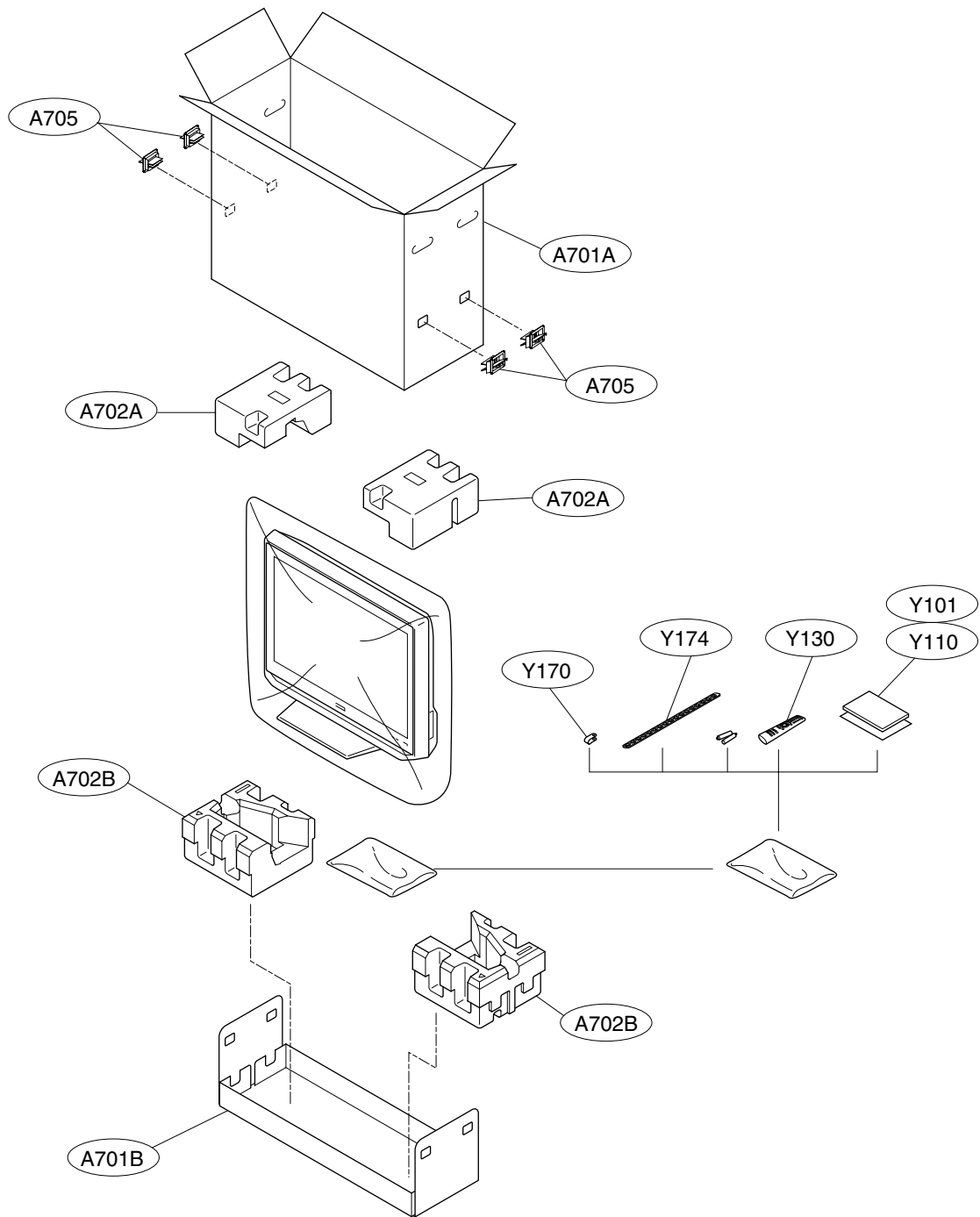
1. Chassis Block



2. Main Block



PACKING DISASSEMBLY



CHASSIS AND CABINET REPLACEMENT PARTS LIST

WARNING: BEFORE SERVICING THIS CHASSIS, READ THE "SERVICE SAFETY PRECAUTIONS" ON PAGE 3 OF THIS MANUAL.

CAUTION: The international hazard symbols " \triangle " in the schematic diagram and the parts list designate components which have special characteristics important for safety and should be replaced only with types identical to those in the original circuit or specified in the parts list. The mounting position of replacements is to be identical with originals. Before replacing any of these components, read carefully the SERVICE SAFETY PRECAUTIONS. Do not degrade the safety of the receiver through improper servicing.

NOTICE:

- The part number must be used when ordering parts, in order to assist in processing, be sure to include the Model number and Description.
- The PC board assembly with * mark is no longer available after the end of the production.

Model : 42WP56P

Capacitors CD : Ceramic Disk PF : Plastic Film EL : Electrolytic
 Resistors CF : Carbon Film CC : Carbon Composition MF : Metal Film
 OMF : Oxide Metal Film VR : Variable Resistor FR : Fusible Resistor
 (All CD and PF capacitors are $\pm 5\%$, 50V and all resistors, $\pm 5\%$, 1/6W unless otherwise noted.)

Location No.	Parts No.	Description
CAPACITORS		
\triangle C101	76109103	CERAMIC CHIP, 50V B 0.01UF K
\triangle C102	76073019	ELECTROLYTIC, 10V 470UF M 3A
\triangle C103	76109102	CERAMIC CHIP, 50V B 1000PF K
\triangle C104	76619143	ELECTROLYTIC CHIP, 50V 4.7UF M
C105	76073019	ELECTROLYTIC, 10V 470UF M 3A
C117	76109103	CERAMIC CHIP, 50V B 0.01UF K
C118	76109103	CERAMIC CHIP, 50V B 0.01UF K
C162	76105101	CERAMIC CHIP, 50V CH 100PF J
C164	76100103	CERAMIC CHIP, 50V F 0.01UF Z
C190	76092730	CERAMIC CHIP, 16V B 0.1UF K
C501	76100104	CERAMIC CHIP, 25V F 0.1UF Z
C502	76100104	CERAMIC CHIP, 25V F 0.1UF Z
C503	76619046	ELECTROLYTIC CHIP, 16V 470UF
C504	76109103	CERAMIC CHIP, 50V B 0.01UF K
C505	76619046	ELECTROLYTIC CHIP, 16V 470UF
C506	76109103	CERAMIC CHIP, 50V B 0.01UF K
C514	76665221	ELECTROLYTIC, 10V 220UF M 3A
C516	76105110	CERAMIC CHIP, 50V CH 11PF J
C517	76092785	CERAMIC CHIP, 10V B 0.47UF K
C519	76619048	ELECTROLYTIC CHIP, 25V 4.7UF M
C521	76092733	CERAMIC CHIP, 50V B 0.022UF K
C524	76109103	CERAMIC CHIP, 50V B 0.01UF K
C526	76109103	CERAMIC CHIP, 50V B 0.01UF K
C527	76619071	ELECTROLYTIC CHIP, 50V 2.2UF
C529	76100104	CERAMIC CHIP, 25V F 0.1UF Z
C530	76619157	ELECTROLYTIC CHIP, 16V 100UF
C605	76109102	CERAMIC CHIP, 50V B 1000PF K
C606	76109102	CERAMIC CHIP, 50V B 1000PF K
C612	76664102	ELECTROLYTIC, 6.3V 1000UF M 3A
C631	76619102	ELECTROLYTIC CHIP, 16V 47UF M
C632	76092731	CERAMIC CHIP, 16V B 1UF K
C651	76092463	CERAMIC CHIP, 16V B 0.22UF K
C652	76092463	CERAMIC CHIP, 16V B 0.22UF K
C653	76092538	CERAMIC CHIP, 10V F 1UF Z
C662	76109102	CERAMIC CHIP, 50V B 1000PF K
C663	76619100	ELECTROLYTIC CHIP, 16V 10UF M
C665	76669339	ELECTROLYTIC, 50V 3.3UF M
C666	76669339	ELECTROLYTIC, 50V 3.3UF M
C668	76073086	ELECTROLYTIC, 50V 10UF M 3A
C671	76669479	ELECTROLYTIC, 50V 4.7UF M
C674	76669479	ELECTROLYTIC, 50V 4.7UF M
C677	76109681	CERAMIC CHIP, 50V B 680PF K
C678	76109681	CERAMIC CHIP, 50V B 680PF K

Location No.	Parts No.	Description
C680	76668102	ELECTROLYTIC, 35V 1000UF M 3A
C681	76668102	ELECTROLYTIC, 35V 1000UF M 3A
C682	76668102	ELECTROLYTIC, 35V 1000UF M 3A
C690	76815103	CERAMIC CHIP, 50V B 0.01UF K
C694	76285104	CERAMIC CHIP, 50V B 0.1UF K
C696	76285104	CERAMIC CHIP, 50V B 0.1UF K
C1801	76285104	CERAMIC CHIP, 50V B 0.1UF K
C1802	76109103	CERAMIC CHIP, 50V B 0.01UF K
C1803	76109103	CERAMIC CHIP, 50V B 0.01UF K
C1804	76109103	CERAMIC CHIP, 50V B 0.01UF K
C1805	76109103	CERAMIC CHIP, 50V B 0.01UF K
C1806	76109103	CERAMIC CHIP, 50V B 0.01UF K
C1807	76109103	CERAMIC CHIP, 50V B 0.01UF K
C1808	76109103	CERAMIC CHIP, 50V B 0.01UF K
C6605	76766100	ELECTROLYTIC, 50V 10UF M
CB01	76202221	ELECTROLYTIC, 10V 220UF M 7L 3A
CB02	76202221	ELECTROLYTIC, 10V 220UF M 7L 3A
CB03	76100104	CERAMIC CHIP, 25V F 0.1UF Z
CB04	76100104	CERAMIC CHIP, 25V F 0.1UF Z
CB05	76202221	ELECTROLYTIC, 10V 220UF M 7L 3A
CB38	76100104	CERAMIC CHIP, 25V F 0.1UF Z
CC11	76109102	CERAMIC CHIP, 50V B 1000PF K
CC12	76109102	CERAMIC CHIP, 50V B 1000PF K
CC31	76109102	CERAMIC CHIP, 50V B 1000PF K
CC40	76109102	CERAMIC CHIP, 50V B 1000PF K
CC41	76109102	CERAMIC CHIP, 50V B 1000PF K
CC60	76109102	CERAMIC CHIP, 50V B 1000PF K
CC61	76109102	CERAMIC CHIP, 50V B 1000PF K
CC62	76109102	CERAMIC CHIP, 50V B 1000PF K
CC63	76109102	CERAMIC CHIP, 50V B 1000PF K
CC64	76109102	CERAMIC CHIP, 50V B 1000PF K
CC65	76109102	CERAMIC CHIP, 50V B 1000PF K
CC66	76109102	CERAMIC CHIP, 50V B 1000PF K
CC67	76109102	CERAMIC CHIP, 50V B 1000PF K
CC74	76109102	CERAMIC CHIP, 50V B 1000PF K
CC75	76109102	CERAMIC CHIP, 50V B 1000PF K
CE03	76539104	PLASTIC FILM, 50V 0.1UF J
CE05	76073090	ELECTROLYTIC, 50V 100UF M 3A
CE10	76666470	ELECTROLYTIC, 16V 47UF M 3A
CE11	76539474	PLASTIC FILM, 50V 0.47UF J
CE12	76666470	ELECTROLYTIC, 16V 47UF M 3A
CE60	76073186	ELECTROLYTIC, 35V 470UF M
CE61	76617028	ELECTROLYTIC, 16V 1200UF M
CE62	76073020	ELECTROLYTIC, 10V 1000UF M 3A

Location No.	Parts No.	Description
CE63	76539104	PLASTIC FILM, 50V 0.1UF J
CE64	76539104	PLASTIC FILM, 50V 0.1UF J
CE65	76666470	ELECTORLYTIC, 16V 47UF M 3A
CE66	76539474	PLASTIC FILM, 50V 0.47UF J
CE67	76666470	ELECTORLYTIC, 16V 47UF M 3A
CE85	76666470	ELECTORLYTIC, 16V 47UF M 3A
CT01	76092790	CERAMIC CHIP CK732B 6.3V 10UF K
CT04	76105151	CERAMIC CHIP, 50V CH 150PF J
CT05	76092790	CERAMIC CHIP CK732B 6.3V 10UF K
CT06	76092790	CERAMIC CHIP CK732B 6.3V 10UF K
CT07	76092790	CERAMIC CHIP CK732B 6.3V 10UF K
CT08	76100104	CERAMIC CHIP, 25V F 0.1UF Z
CT09	76109103	CERAMIC CHIP, 50V B 0.01UF K
CV02	76100104	CERAMIC CHIP, 25V F 0.1UF Z
CV03	76100104	CERAMIC CHIP, 25V F 0.1UF Z
CV13	76100104	CERAMIC CHIP, 25V F 0.1UF Z
CV17	76092731	CERAMIC CHIP, 16V B 1UF K
CV19	76619157	ELECTROLYTIC CHIP, 16V 100UF
CV20	76100104	CERAMIC CHIP, 25V F 0.1UF Z
CV21	76100104	CERAMIC CHIP, 25V F 0.1UF Z
CV22	76619157	ELECTROLYTIC CHIP, 16V 100UF
CV23	76619042	ELECTROLYTIC CHIP, 16V 22UF M 3A
CV24	76092731	CERAMIC CHIP, 16V B 1UF K
CV25	76092731	CERAMIC CHIP, 16V B 1UF K
CV26	76619042	ELECTROLYTIC CHIP, 16V 22UF M 3A
CV27	76619157	ELECTROLYTIC CHIP, 16V 100UF
CV28	76619042	ELECTROLYTIC CHIP, 16V 22UF M 3A
CV51	76619100	ELECTROLYTIC CHIP, 16V 10UF M
CV52	76619100	ELECTROLYTIC CHIP, 16V 10UF M
CV54	76619100	ELECTROLYTIC CHIP, 16V 10UF M
CV55	76619100	ELECTROLYTIC CHIP, 16V 10UF M
CV56	76619157	ELECTROLYTIC CHIP, 16V 100UF
CV57	76619157	ELECTROLYTIC CHIP, 16V 100UF
CV58	76619157	ELECTROLYTIC CHIP, 16V 100UF
CV59	76619157	ELECTROLYTIC CHIP, 16V 100UF
CV60	76619157	ELECTROLYTIC CHIP, 16V 100UF
CV62	76100104	CERAMIC CHIP, 25V F 0.1UF Z
CV63	76100104	CERAMIC CHIP, 25V F 0.1UF Z
CV91	76100104	CERAMIC CHIP, 25V F 0.1UF Z
CV121	76109103	CERAMIC CHIP, 50V B 0.01UF K
CV122	76105101	CERAMIC CHIP, 50V CH 100PF J
CY650	76109103	CERAMIC CHIP, 50V B 0.01UF K
RESISTORS		
R103	76011101	CHIP, 1/20W 100 OHM J
R104	76011103	CHIP, 1/20W 10K OHM J
R105	76011273	CHIP, 1/20W 27K OHM J
R107	76000445	CHIP JUMPER, 1608TYPE
R108	76000445	CHIP JUMPER, 1608TYPE
R114	76000445	CHIP JUMPER, 1608TYPE
R167	76011101	CHIP, 1/20W 100 OHM J
R169	76000445	CHIP JUMPER, 1608TYPE
R170	76011682	CHIP, 1/20W 6.8K OHM J
R501	76011682	CHIP, 1/20W 6.8K OHM J
R502	76011272	CHIP, 1/20W 2.7K OHM J
R504	76011101	CHIP, 1/20W 100 OHM J
R505	76011101	CHIP, 1/20W 100 OHM J
R506	76011273	CHIP, 1/20W 27K OHM J
R507	76011392	CHIP, 1/20W 3.9K OHM J
R508	76011682	CHIP, 1/20W 6.8K OHM J
R512	76011101	CHIP, 1/20W 100 OHM J
R514	76011102	CHIP, 1/20W 1K OHM J
R650	76011102	CHIP, 1/20W 1K OHM J
R651	76011473	CHIP, 1/20W 47K OHM J
R652	76011103	CHIP, 1/20W 10K OHM J
R653	76011223	CHIP, 1/20W 22K OHM J
R654	76011103	CHIP, 1/20W 10K OHM J
R655	76011222	CHIP, 1/20W 2.2K OHM J
R660	76011473	CHIP, 1/20W 47K OHM J

Location No.	Parts No.	Description
R662	76011103	CHIP, 1/20W 10K OHM J
R663	76011473	CHIP, 1/20W 47K OHM J
R664	76011104	CHIP, 1/20W 100K OHM J
R667	76011104	CHIP, 1/20W 100K OHM J
R670	76011472	CHIP, 1/20W 4.7K OHM J
R671	76011182	CHIP, 1/20W 1.8K OHM J
R672	76011472	CHIP, 1/20W 4.7K OHM J
R673	76011182	CHIP, 1/20W 1.8K OHM J
R675	76011102	CHIP, 1/20W 1K OHM J
R676	76011473	CHIP, 1/20W 47K OHM J
R677	76011473	CHIP, 1/20W 47K OHM J
R684	76871229	CHIP, 1/8W 2.2 OHM J
R685	76871229	CHIP, 1/8W 2.2 OHM J
R687	76871102	CHIP, 1/8W 1K OHM J
R688	76871102	CHIP, 1/8W 1K OHM J
R689	76871102	CHIP, 1/8W 1K OHM J
R690	76871102	CHIP, 1/8W 1K OHM J
R691	76871102	CHIP, 1/8W 1K OHM J
R692	76871102	CHIP, 1/8W 1K OHM J
R697	76000576	CHIP JUMPER, 3216TYPE
R4100	76011102	CHIP, 1/20W 1K OHM J
R4101	76011681	CHIP, 1/20W 680 OHM J
R4102	76011471	CHIP, 1/20W 470 OHM J
R4103	76011102	CHIP, 1/20W 1K OHM J
R4104	76011152	CHIP, 1/20W 1.5K OHM J
R4105	76011102	CHIP, 1/20W 1K OHM J
R4106	76011681	CHIP, 1/20W 680 OHM J
R4107	76011471	CHIP, 1/20W 470 OHM J
R4108	76011102	CHIP, 1/20W 1K OHM J
R4109	76011152	CHIP, 1/20W 1.5K OHM J
R4120	76000445	CHIP JUMPER, 1608TYPE
R4122	76000445	CHIP JUMPER, 1608TYPE
R6603	76011223	CHIP, 1/20W 22K OHM J
R6605	76011103	CHIP, 1/20W 10K OHM J
R6606	76011104	CHIP, 1/20W 100K OHM J
R6610	76011102	CHIP, 1/20W 1K OHM J
R6611	76011102	CHIP, 1/20W 1K OHM J
R6612	76011104	CHIP, 1/20W 100K OHM J
R6613	76011104	CHIP, 1/20W 100K OHM J
R6614	76011103	CHIP, 1/20W 10K OHM J
R6615	76011102	CHIP, 1/20W 1K OHM J
R6616	76011104	CHIP, 1/20W 100K OHM J
R6617	76011104	CHIP, 1/20W 100K OHM J
R6631	76011473	CHIP, 1/20W 47K OHM J
R6632	76011473	CHIP, 1/20W 47K OHM J
R6634	76011102	CHIP, 1/20W 1K OHM J
RA71	76011683	CHIP, 1/20W 68K OHM J
RA72	76011223	CHIP, 1/20W 22K OHM J
RA73	76011103	CHIP, 1/20W 10K OHM J
RA74	76000445	CHIP JUMPER, 1608TYPE
RA77	76011103	CHIP, 1/20W 10K OHM J
RA78	76000445	CHIP JUMPER, 1608TYPE
RA79	76000445	CHIP JUMPER, 1608TYPE
RB08	76011470	CHIP, 1/20W 47 OHM J
RB09	76011470	CHIP, 1/20W 47 OHM J
RB10	76011331	CHIP, 1/20W 330 OHM J
RB15	76011471	CHIP, 1/20W 470 OHM J
RB24	76000445	CHIP JUMPER, 1608TYPE
RC01	76011101	CHIP, 1/20W 100 OHM J
RC02	76011101	CHIP, 1/20W 100 OHM J
RC03	76011101	CHIP, 1/20W 100 OHM J
RC04	76011101	CHIP, 1/20W 100 OHM J
RC11	76011101	CHIP, 1/20W 100 OHM J
RC12	76011101	CHIP, 1/20W 100 OHM J
RC40	76011101	CHIP, 1/20W 100 OHM J
RC41	76011101	CHIP, 1/20W 100 OHM J
RE04	76366222	CARBON FILM, 1/6W 2.2K OHM J
RE06	76366473	CARBON FILM, 1/6W 47K OHM J
RE10	76367180	CARBON FILM, 1/6W 18 OHM G

Location No.	Parts No.	Description
RE11	76367222	CARBON FILM, 1/6W 2.2K OHM G
RE12	76366472	CARBON FILM, 1/6W 4.7K OHM J
RE13	76366102	CARBON FILM, 1/6W 1K OHM J
RE15	76366182	CARBON FILM, 1/6W 1.8K OHM J
RE16	76366473	CARBON FILM, 1/6W 47K OHM J
RE17	76366103	CARBON FILM, 1/6W 10K OHM J
RE18	76366153	CARBON FILM, 1/6W 15K OHM J
RE19	76366473	CARBON FILM, 1/6W 47K OHM J
RE60	76000142	METAL FILM, 1/4W 240 OHM F
RE61	76000360	METAL FILM, 1/4W 1.2K OHM F
RE63	76366102	CARBON FILM, 1/6W 1K OHM J
RE65	76367620	CARBON FILM 1/6W 62 G
RE66	76367222	CARBON FILM, 1/6W 2.2K OHM G
RE85	76552222	OXIDE METAL FILM, 1/2W 2.2K OHM J
RE86	76366103	CARBON FILM, 1/6W 10K OHM J
RR01	76871750	CHIP, 1/8W 75 OHM J
RR02	76871750	CHIP, 1/8W 75 OHM J
RR03	76871750	CHIP, 1/8W 75 OHM J
RR04	76011330	CHIP, 1/20W 33 OHM J
RR05	76011330	CHIP, 1/20W 33 OHM J
RR06	76011330	CHIP, 1/20W 33 OHM J
RS23	76011104	CHIP, 1/20W 100K OHM J
RS24	76011104	CHIP, 1/20W 100K OHM J
RS25	76011104	CHIP, 1/20W 100K OHM J
RS26	76011104	CHIP, 1/20W 100K OHM J
RT01	76011101	CHIP, 1/20W 100 OHM J
RT02	76011273	CHIP, 1/20W 27K OHM J
RT03	76011683	CHIP, 1/20W 68K OHM J
RT04	76011102	CHIP, 1/20W 1K OHM J
RT05	76011101	CHIP, 1/20W 100 OHM J
RT06	76011391	CHIP, 1/20W 390 OHM J
RT07	76011821	CHIP, 1/20W 820 OHM J
RT08	76011151	CHIP, 1/20W 150 OHM J
RT09	76011471	CHIP, 1/20W 470 OHM J
RT10	76011101	CHIP, 1/20W 100 OHM J
RT11	76011471	CHIP, 1/20W 470 OHM J
RT12	76011102	CHIP, 1/20W 1K OHM J
RV02	76872750	CHIP, 1/16W 75 OHM J
RV03	76872151	CHIP, 1/16W 150 OHM J
RV04	76872151	CHIP, 1/16W 150 OHM J
RV05	76872750	CHIP, 1/16W 75 OHM J
RV06	76872750	CHIP, 1/16W 75 OHM J
RV07	76872750	CHIP, 1/16W 75 OHM J
RV13	76872750	CHIP, 1/16W 75 OHM J
RV21	76872750	CHIP, 1/16W 75 OHM J
RV28	76872750	CHIP, 1/16W 75 OHM J
RV30	76872750	CHIP, 1/16W 75 OHM J
RV31	76872750	CHIP, 1/16W 75 OHM J
RV32	76872680	CHIP, 1/16W 68 OHM J
RV51	76011101	CHIP, 1/20W 100 OHM J
RV52	76871181	CHIP, 1/8W 180 OHM J
RV54	76011473	CHIP, 1/20W 47K OHM J
RV55	76011473	CHIP, 1/20W 47K OHM J
RV56	76011473	CHIP, 1/20W 47K OHM J
RV57	76011101	CHIP, 1/20W 100 OHM J
RV58	76871181	CHIP, 1/8W 180 OHM J
RV59	76011473	CHIP, 1/20W 47K OHM J
RV71	76011470	CHIP, 1/20W 47 OHM J
RV72	76011470	CHIP, 1/20W 47 OHM J
RV73	76011470	CHIP, 1/20W 47 OHM J
RV74	76011470	CHIP, 1/20W 47 OHM J
RV76	76011473	CHIP, 1/20W 47K OHM J
RV78	76011101	CHIP, 1/20W 100 OHM J
RV79	76871181	CHIP, 1/8W 180 OHM J
RV80	76011473	CHIP, 1/20W 47K OHM J
RV81	76011473	CHIP, 1/20W 47K OHM J
RV82	76871181	CHIP, 1/8W 180 OHM J
RV84	76011101	CHIP, 1/20W 100 OHM J
RV85	76011473	CHIP, 1/20W 47K OHM J

Location No.	Parts No.	Description
RV90	76366750	CARBON FILM, 1/6W 75 OHM J
RV90A	23965241	TAPE, CC #12 10MM L30M
RV91	76366750	CARBON FILM, 1/6W 75 OHM J
RV92	76011103	CHIP, 1/20W 10K OHM J
RV93	76011392	CHIP, 1/20W 3.9K OHM J
RV94	76011103	CHIP, 1/20W 10K OHM J
RV95	76011392	CHIP, 1/20W 3.9K OHM J
RV121	76872750	CHIP, 1/16W 75 OHM J
RV129	76011101	CHIP, 1/20W 100 OHM J
RV251	76011101	CHIP, 1/20W 100 OHM J
RV252	76011102	CHIP, 1/20W 1K OHM J
RV253	76011392	CHIP, 1/20W 3.9K OHM J
RV254	76011432	CHIP, 1/20W 4.3K OHM J
RV255	76011102	CHIP, 1/20W 1K OHM J
RV256	76011152	CHIP, 1/20W 1.5K OHM J
RV257	76011102	CHIP, 1/20W 1K OHM J
RV258	76011101	CHIP, 1/20W 100 OHM J
RV259	76011222	CHIP, 1/20W 2.2K OHM J
RV260	76011101	CHIP, 1/20W 100 OHM J
COIL & TRANSFORMERS		
L101	23248398	COIL, CHOKE, TLN3278D
L102	23103828	INDUCTOR, BEAD, TEM2121M
△ L103	23103828	INDUCTOR, BEAD, TEM2121M
△ L104	23103828	INDUCTOR, BEAD, TEM2121M
L105	23277002	FERRITE CORE, ACM3225-102-2PT100
L190	23103828	INDUCTOR, BEAD, TEM2121M
L505	23289022	COIL, PEAKING, TRF4100AT
LC01	23103828	INDUCTOR, BEAD, TEM2121M
LC02	23103828	INDUCTOR, BEAD, TEM2121M
LC03	23103828	INDUCTOR, BEAD, TEM2121M
LC04	23103828	INDUCTOR, BEAD, TEM2121M
LC05	23103828	INDUCTOR, BEAD, TEM2121M
LC06	23103828	INDUCTOR, BEAD, TEM2121M
LC21	23103828	INDUCTOR, BEAD, TEM2121M
LC22	23103828	INDUCTOR, BEAD, TEM2121M
LC23	23103828	INDUCTOR, BEAD, TEM2121M
LC24	23103828	INDUCTOR, BEAD, TEM2121M
LC27	23103828	INDUCTOR, BEAD, TEM2121M
LC28	23103828	INDUCTOR, BEAD, TEM2121M
LC29	23103828	INDUCTOR, BEAD, TEM2121M
LC30	23103828	INDUCTOR, BEAD, TEM2121M
LC31	23103238	INDUCTOR, BEAD, TEM2142AD
LC32	23103238	INDUCTOR, BEAD, TEM2142AD
LC33	23103238	INDUCTOR, BEAD, TEM2142AD
LE10	23289980	COIL, PEAKING, TRF4220AZ
LE60	23248456	COIL, CHOKE, TLN3540AH
LE61	23289980	COIL, PEAKING, TRF4220AZ
LE62	23248432	COIL, CHOKE, TLN3499AH
LT01	23289028	COIL, PEAKING, TRF4101AT
LV17	23277002	FERRITE CORE, ACM3225-102-2PT100
LV21	23277002	FERRITE CORE, ACM3225-102-2PT100
LV22	23277002	FERRITE CORE, ACM3225-102-2PT100
LV23	23277002	FERRITE CORE, ACM3225-102-2PT100
LV24	23277002	FERRITE CORE, ACM3225-102-2PT100
LV25	23277002	FERRITE CORE, ACM3225-102-2PT100
LV26	23277002	FERRITE CORE, ACM3225-102-2PT100
LV27	23277002	FERRITE CORE, ACM3225-102-2PT100
LV28	23277002	FERRITE CORE, ACM3225-102-2PT100
LV29	23277002	FERRITE CORE, ACM3225-102-2PT100
LV30	23277002	FERRITE CORE, ACM3225-102-2PT100
LV31	23277002	FERRITE CORE, ACM3225-102-2PT100
LV32	23277002	FERRITE CORE, ACM3225-102-2PT100
LV33	23277002	FERRITE CORE, ACM3225-102-2PT100
LV120	23277002	FERRITE CORE, ACM3225-102-2PT100
LV121	23277002	FERRITE CORE, ACM3225-102-2PT100
LV122	23277002	FERRITE CORE, ACM3225-102-2PT100

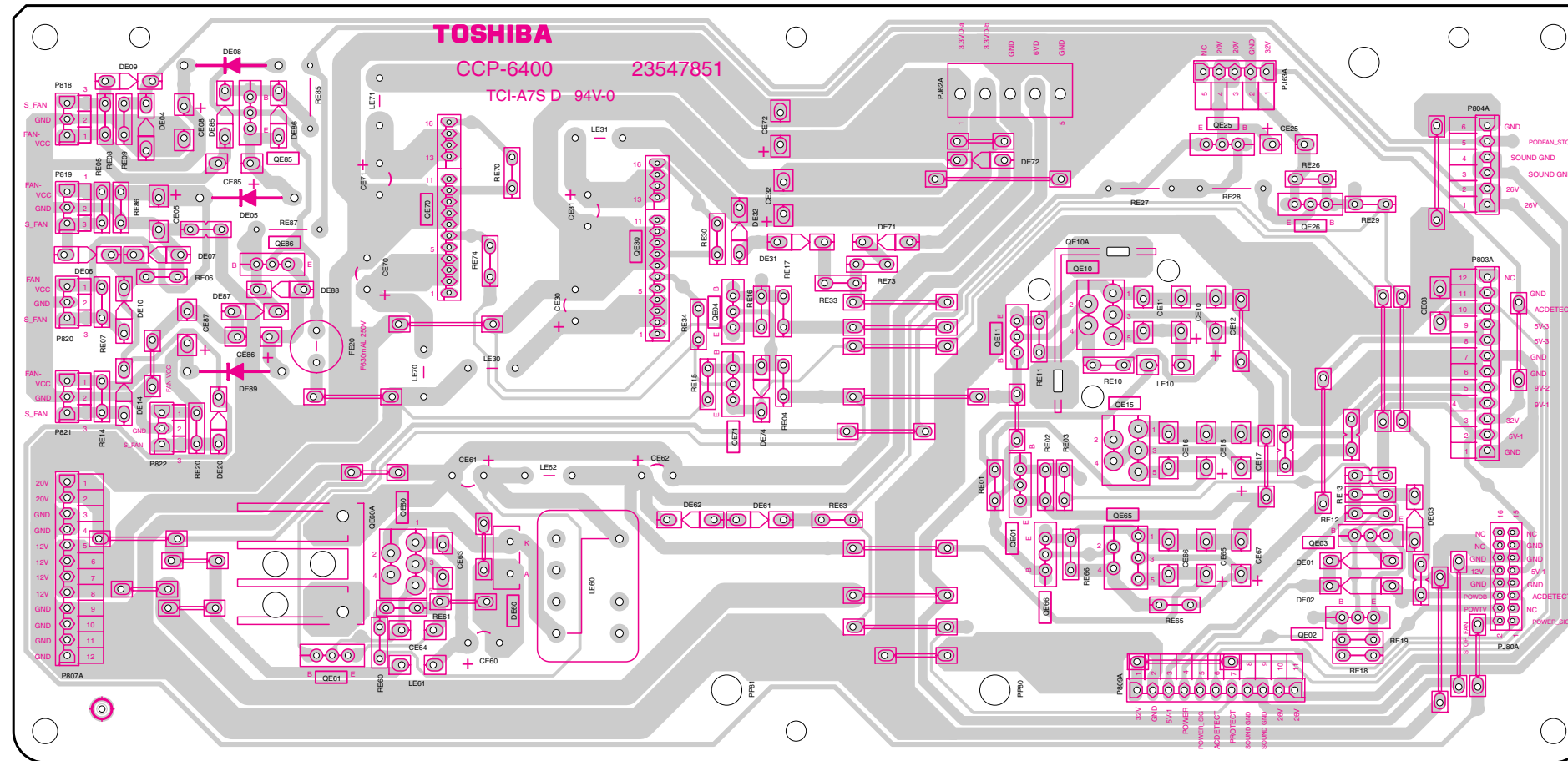
Location No.	Parts No.	Description
SEMICONDUCTORS		
Q101	23205506	TRANSISTOR,2SC4081 Q
Q501	23085049	IC, TB1274BFG(DRY)
Q504	23205507	TRANSISTOR,2SA1576A Q
Q610	23085039	IC, TA8246AHQ
Q612	23205443	TRANSISTOR,2SA1162-Y(F)
Q621	23205506	TRANSISTOR,2SC4081 Q
Q622	23205506	TRANSISTOR,2SC4081 Q
Q654	23205302	TRANSISTOR,2SC3326-B(F)
Q655	23205302	TRANSISTOR,2SC3326-B(F)
Q656	23205325	TRANSISTOR,RN2404(F)
Q664	23205506	TRANSISTOR,2SC4081 Q
Q665	23205325	TRANSISTOR,RN2404(F)
Q671	23205302	TRANSISTOR,2SC3326-B(F)
Q672	23205302	TRANSISTOR,2SC3326-B(F)
Q4100	23085635	TRANSISTOR,2SC3437-Y(TE85L,F)
Q4101	23085635	TRANSISTOR,2SC3437-Y(TE85L,F)
Q4102	23085635	TRANSISTOR,2SC3437-Y(TE85L,F)
Q4103	23085635	TRANSISTOR,2SC3437-Y(TE85L,F)
Q6601	23205302	TRANSISTOR,2SC3326-B(F)
Q6602	23205302	TRANSISTOR,2SC3326-B(F)
Q6603	23205325	TRANSISTOR,RN2404(F)
QB04	23205463	TRANSISTOR,2SC2712-Y(TE85L,F)
QB07	23205463	TRANSISTOR,2SC2712-Y(TE85L,F)
QE02	23205376	TRANSISTOR,2SC5343-Y(BULK)
QE03	23205315	TRANSISTOR,RN1206(F)
QE04	23205376	TRANSISTOR,2SC5343-Y(BULK)
QE10	23135077	IC, SI-3090CA
QE11	23205315	TRANSISTOR,RN1206(F)
QE60	23085381	IC, SI-8050SS
QE65	23135076	IC, SI-3050C
QE85	23205339	TRANSISTOR,2SC2655-Y(F)
QT01	23205507	TRANSISTOR,2SA1576A Q
QT02	23205506	TRANSISTOR,2SC4081 Q
QT03	23205507	TRANSISTOR,2SA1576A Q
QT04	23085392	IC, MM1501XN
QT05	23205507	TRANSISTOR,2SA1576A Q
QT06	23205402	TRANSISTOR,DTC144EUA
QV14	23085791	IC, M1510XNRE
QV15	23085791	IC, M1510XNRE
QV16	23085791	IC, M1510XNRE
QV21	23205443	TRANSISTOR,2SA1162-Y(F)
QV22	23085635	TRANSISTOR,2SC3437-Y(TE85L,F)
QV23	23085635	TRANSISTOR,2SC3437-Y(TE85L,F)
QV24	23205506	TRANSISTOR,2SC4081 Q
QV51	23205506	TRANSISTOR,2SC4081 Q
QV52	23205506	TRANSISTOR,2SC4081 Q
QV54	23205506	TRANSISTOR,2SC4081 Q
QV55	23205506	TRANSISTOR,2SC4081 Q
D607	23357802	DIODE, ZENER, MA8330-M
D612	23357703	DIODE, 1SS355
D613	23357703	DIODE, 1SS355
D640	23357703	DIODE, 1SS355
D641	23357703	DIODE, 1SS355
D674	23357703	DIODE, 1SS355
D675	23357703	DIODE, 1SS355
D6601	23362140	DIODE, KDS160-RTK
D6602	23362140	DIODE, KDS160-RTK
DB01	23358606	DIODE, LED RED, SLR-56VC3FPQ
DB04	23358605	DIODE, LED GREEN, SLR-56MC3FPQR
DB20	23357406	DIODE, ZENER, UDZS5.6B
DB22	23357703	DIODE, 1SS355
DB23	23357703	DIODE, 1SS355
DE01	23357706	DIODE, AK04
DE02	23357706	DIODE, AK04
DE03	23357823	DIODE, ZENER, MTZJ3.6A
DE05	23357499	DIODE, ERB12-01
DE07	23357683	DIODE, ZENER, RD3.3ESA B1
DE60	23357810	DIODE, FMB-G14L

Location No.	Parts No.	Description
DE61	23357697	DIODE, 1SS133
DE62	23357845	DIODE, ZENER, MTZJ7.5B
DE85	23357861	DIODE, ZENER, MTZJ11A
DE86	23357697	DIODE, 1SS133
DE99	23357840	DIODE, ZENER, MTZJ6.2B
DV01	23357703	DIODE, 1SS355
DV02	23357703	DIODE, 1SS355
DV03	23357703	DIODE, 1SS355
DV04	23357703	DIODE, 1SS355
DV120	23357745	DIODE, ZENER, MA8056-M
MISCELLANEOUS		
B001	23301670	DISPLAY, PDP42V70440 PDP42V70440
B001A	23405525	OPTICAL FILTER, PDP42V T40 SSC PM00TZ001
B205	23533583	COVER, AV COVER ASSEMBLY 42WP56P
B213	23717219	SCREW, PP3X8+SW+W SBN
FE20	23144373	FUSE, RADIAL LEAD SUB-MINIATUR 250V 630MA
GC01	76000445	CHIP JUMPER, 1608TYPE
GC02	76000445	CHIP JUMPER, 1608TYPE
GJ413	76000445	CHIP JUMPER, 1608TYPE
GJ414	76000445	CHIP JUMPER, 1608TYPE
GR02	76000445	CHIP JUMPER, 1608TYPE
GR03	76000445	CHIP JUMPER, 1608TYPE
GR101	76000445	CHIP JUMPER, 1608TYPE
GR25	76000445	CHIP JUMPER, 1608TYPE
GR26	76000445	CHIP JUMPER, 1608TYPE
GR27	76000445	CHIP JUMPER, 1608TYPE
GR28	76000445	CHIP JUMPER, 1608TYPE
GR605	76000445	CHIP JUMPER, 1608TYPE
GR610	76000445	CHIP JUMPER, 1608TYPE
GR611	76000445	CHIP JUMPER, 1608TYPE
GRR01	76000445	CHIP JUMPER, 1608TYPE
GRR02	76000445	CHIP JUMPER, 1608TYPE
GRR03	76000445	CHIP JUMPER, 1608TYPE
GRR04	76011330	CHIP, 1/20W 33 OHM J
GRR05	76000445	CHIP JUMPER, 1608TYPE
GRR44	76000445	CHIP JUMPER, 1608TYPE
GRV01	76000445	CHIP JUMPER, 1608TYPE
GRV02	76000445	CHIP JUMPER, 1608TYPE
GRV03	76000445	CHIP JUMPER, 1608TYPE
GRV04	76000445	CHIP JUMPER, 1608TYPE
GRV05	76000445	CHIP JUMPER, 1608TYPE
GRV06	76000445	CHIP JUMPER, 1608TYPE
GRV30	76000445	CHIP JUMPER, 1608TYPE
GRV37	76000445	CHIP JUMPER, 1608TYPE
GRV38	76000445	CHIP JUMPER, 1608TYPE
GRV39	76000445	CHIP JUMPER, 1608TYPE
GRV40	76000445	CHIP JUMPER, 1608TYPE
GRV41	76000445	CHIP JUMPER, 1608TYPE
GRV42	76000445	CHIP JUMPER, 1608TYPE
GRV43	76000445	CHIP JUMPER, 1608TYPE
GRV46	76000445	CHIP JUMPER, 1608TYPE
GRV48	76000445	CHIP JUMPER, 1608TYPE
GRV49	76000445	CHIP JUMPER, 1608TYPE
GRV50	76000445	CHIP JUMPER, 1608TYPE
GRV51	76000445	CHIP JUMPER, 1608TYPE
GRV73	76000445	CHIP JUMPER, 1608TYPE
GRV74	76000445	CHIP JUMPER, 1608TYPE
GRV75	76000445	CHIP JUMPER, 1608TYPE
GT01	76000445	CHIP JUMPER, 1608TYPE
GT02	76000445	CHIP JUMPER, 1608TYPE
H001A	70352234	CLIP FINGER(97-605-01), HC-1651
KB01	23009710	REMOCON RECEIVER, GP1UE281RK
MJ22	23389359	CABLE, FFC 0.5 50P L70 GOLD
MJ60	23389359	CABLE, FFC 0.5 50P L70 GOLD
MZ01	23368939	CABLE, LVDS 600MM PDP1
P601A	23713938	CONNECTOR, CONNECTB5B-PH-K-S(LF)
P661	23023302	EARPHONE JACK
P662	23023302	EARPHONE JACK

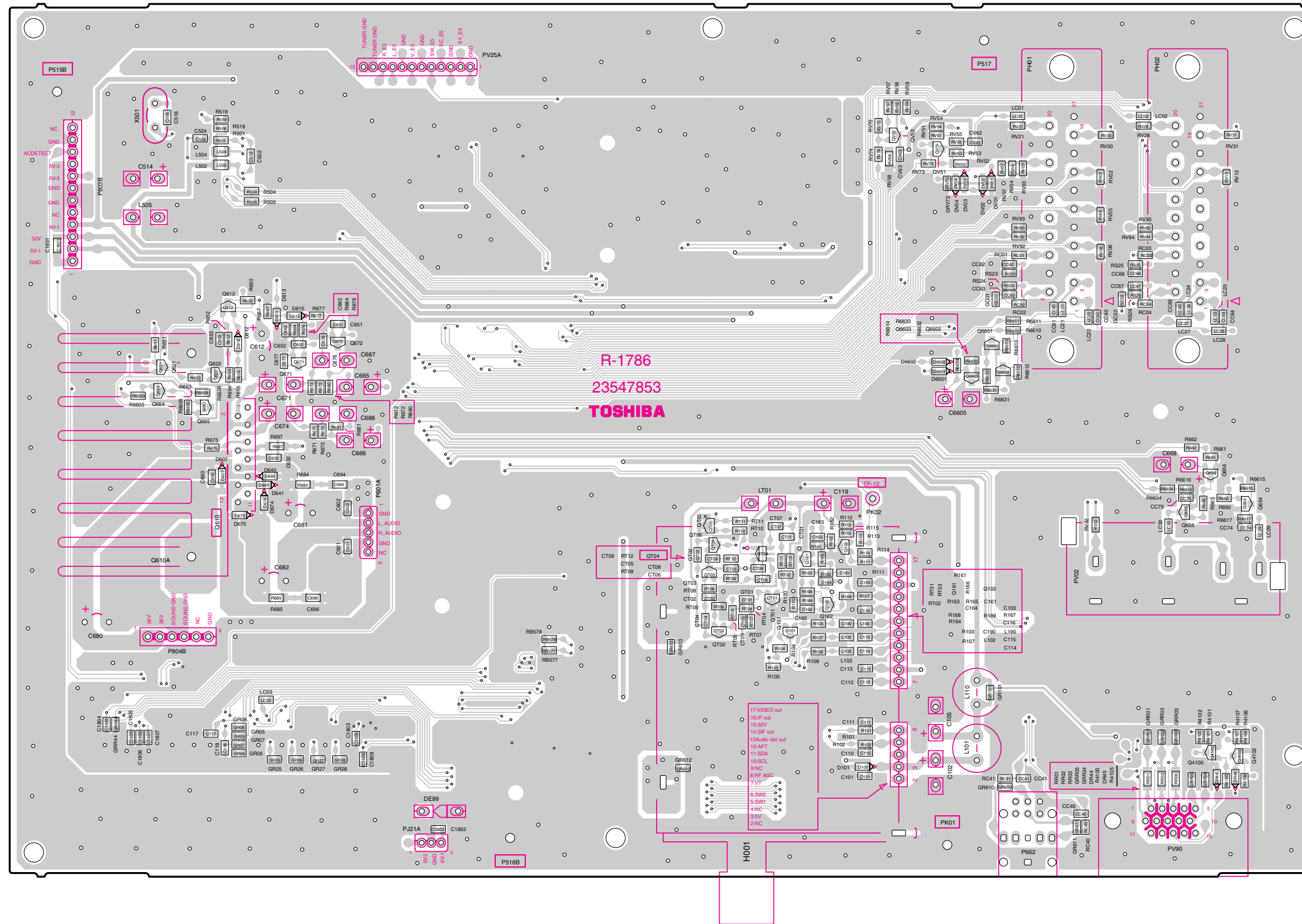
Location No.	Parts No.	Description
△ P801	23372288	POWER CORD, BS 250V 5A 042512/8
△ P801	23372286	POWER CORD, CEE 250V 6A 042512/7
P801A	23103300	FERRITE CORE, TFE102AK, 32X41X14
P801B	23103778	FERRITE CORE, TFE1008
P801C	23974994	BAND, KESSOKU
P803A	23713763	PLUG, NP 2.5MM G, B12B-EH-F1A
P803B	23713763	PLUG, NP 2.5MM G, B12B-EH-F1A
P804A	23713757	PLUG, 6P 2.5MM G, B6B-EH-F1-TV4
P804B	23713757	PLUG, 6P 2.5MM G, B6B-EH-F1-TV4
P807A	23713763	PLUG, NP 2.5MM G, B12B-EH-F1A
P809A	23713762	PLUG, NP 2.5MM G, B11B-EH-F1A
P881	23023131	INLET, NOISE FILTER, GL-2080FVP-L
PH01	23902604	SOCKET, 21P
PH02	23902604	SOCKET, 21P
PJ21A	23713934	CONNECTOR, 2MM 3P S WHT B3B-PH-K-S(LF)
PJ22A	23757176	CONNECTOR, IRS 9637S-50Y902 GLD
PJ41B	23713943	CONNECTOR,CONNECTB11B-PH-K-S(LF)
PJ42B	23713948	CONNECTOR,CONNECTS6B-PH-K-S(LF)
PJ60A	23757176	CONNECTOR, IRS 9637S-50Y902 GLD
PP02	23845859	HOLDER, WIRE, PVC-C0AT, L=70MM
PP04	23974994	BAND, KESSOKU
PP05	23748085	WASHER, WASHER 10X4.2XT=0.3
PP07	23974994	BAND, KESSOKU
PP13	23845859	HOLDER, WIRE, PVC-C0AT, L=70MM
PV02	23023452	PINJACK3P,JPJ1874-810234AV JACK3P GREEN
PV25A	23713944	CONNECTOR,CONNECTB12B-PH-K-S(LF)
PV60	23365275	JACK, PHONO 3P V-L-R YKC21
PV61	23023300	JACK, Y/C YKF51-5560
PV90	23713710	SOCKET, D-SUB 15P, KR D-8622
Q610B	23717240	SCREW
QE10B	23717240	SCREW
SA01	23344507	SWITCH, PUSH, SKHHLMA010
SA02	23344507	SWITCH, PUSH, SKHHLMA010
SA03	23344507	SWITCH, PUSH, SKHHLMA010
SA04	23344507	SWITCH, PUSH, SKHHLMA010
SA05	23344507	SWITCH, PUSH, SKHHLMA010
SA06	23344507	SWITCH, PUSH, SKHHLMA010
SA07	23344507	SWITCH, PUSH, SKHHLMA010
△ U800	23122502	POWER UNIT, POWER BLOCK MODULE 1H276W
W661	23351320	SPEAKER, ASSY, 6X12 8-OHM 10W SPK-1468AO
W662	23351320	SPEAKER, ASSY, 6X12 8-OHM 10W SPK-1468AO
X501	23153612	CRYSTAL, 16.200 25PPM 25OHM
ZA01	23103778	FERRITE CORE, TFE1008
ZA02	23103839	FERRITE CORE, TFE1012
ZA07	23103840	FERRITE CORE, TFE1013
ZA08	23103778	FERRITE CORE, TFE1008
ZA09	23103840	FERRITE CORE, TFE1013
PC BOARD ASSEMBLIES		
* U001	75001718	PC BOARD ASSY, PD2238H1 SIGNAL
* U002	75001713	PC BOARD ASSY, PD2202C1 LOWB
* U003A	75001714	PC BOARD ASSY, PD2206A1 TN/AV
* U003B	75001715	PC BOARD ASSY, PD2206A2 FRONT AV
* U003C	75001716	PC BOARD ASSY, PD2206A3 KEY
* U003D	75001717	PC BOARD ASSY, PD2206A4 RMT LED
TUNER		
△ H001	23321543	TUNER, TIF EU HOR61 IEC PAL+L ENG37A13GF
ACCESSORIES		
A701A	23015170	CARTON, TOP CASE 42WP56P
A701B	23015171	CARTON, BOTTOM CASE 42WP56P
A702A	23580038	PACKING, TOP PACKING 42WP56P
A702B	23580039	PACKING, BOTTOM PACKING 42WP56P
A705	23518043	PACKING, JOINT
△ Y101	23566727	OWNERS MANUAL, ENGLISH 42WP56P
△	23566728	OWNERS MANUAL, EURO 42WP56P
Y110	23589767	QUICK SET UP GUIDE, 42WP56P
△ Y130	23306643	REMOCON HAND UNIT IR, PDPPAL CT-90126

Location No.	Parts No.	Description
Y170	23845800	HOLDER, WIRE, NYLON66 D6.8
Y174	23845510	BAND
CABINET PARTS		
A201	23533585	COVER, FRONT BEZEL ASSY 42WP56P
A206	23469406	INSULATOR,INSULATOR
A220	23940488	PIECE, PIECE FRONT AV ASSY 42WP56P
A221	23940496	PIECE, PIECE CONTROL ASSY 42WP56P
A231	23717214	SCREW,BITTB3X12SBN
A235	23717177	SCREW, PP5X12+SW+W SBN
△ A401	23533556	COVER, BACK COVER ASSY
A403	23436887	FOOT, STAND ASSY
A410	23533616	COVER, CABLE COVER PROPER
A423	23717217	SCREW, PP6X35+SW+W SBN

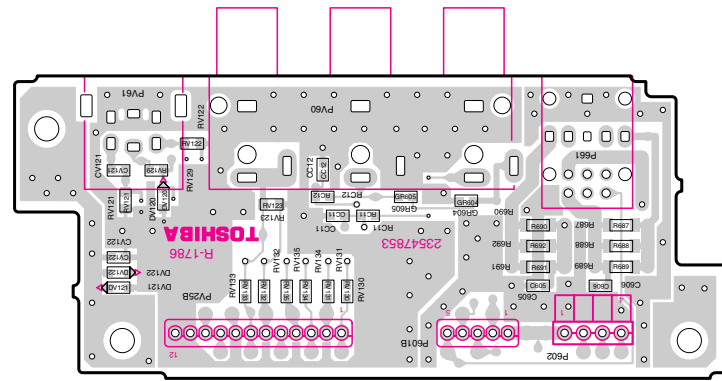
LOWB BOARD PD2202C1 (U002)
BOTTOM (FOIL) SIDE



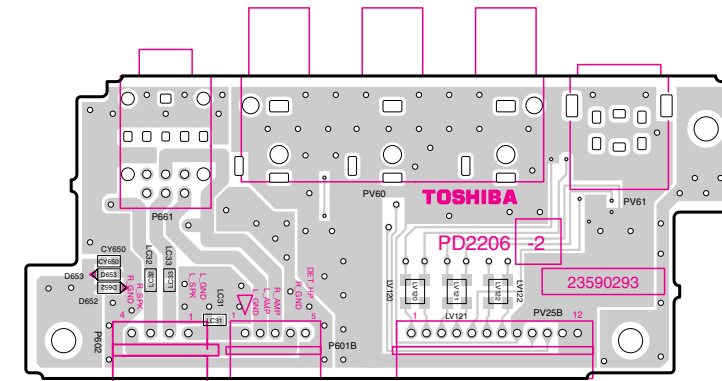
TN/AV BOARD PD2206A1 (U003A)
 BOTTOM (FOIL) SIDE



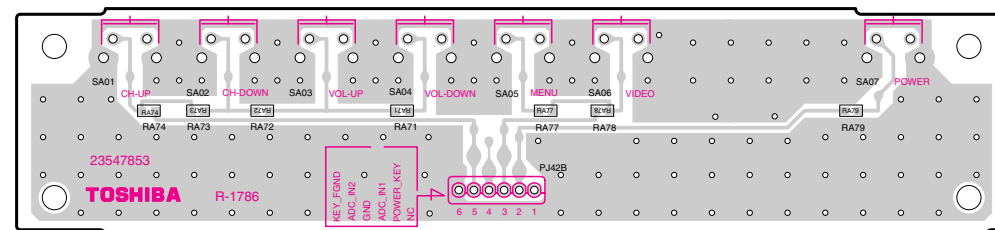
FRONT AV BOARD PD2206A2 (U003B)
BOTTOM (FOIL) SIDE



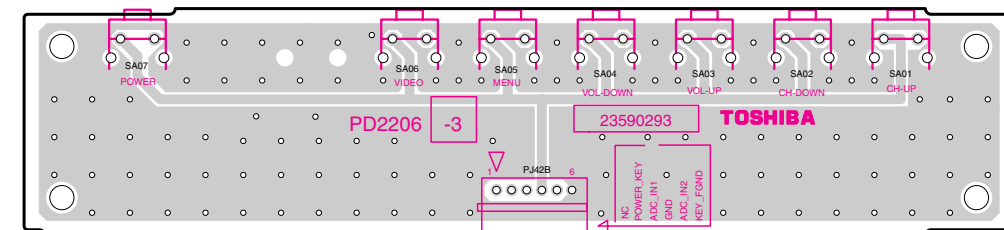
FRONT AV BOARD PD2206A2 (U003B)
TOP (COMPONENT) SIDE



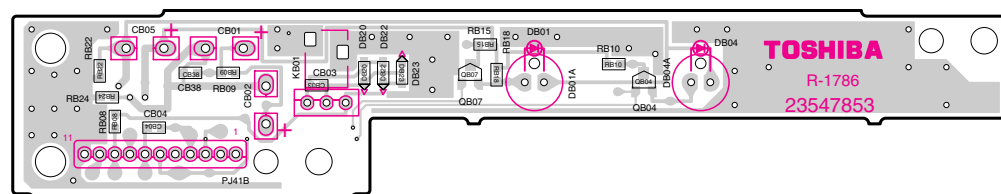
KEY BOARD PD2206A3 (U003C)
BOTTOM (FOIL) SIDE



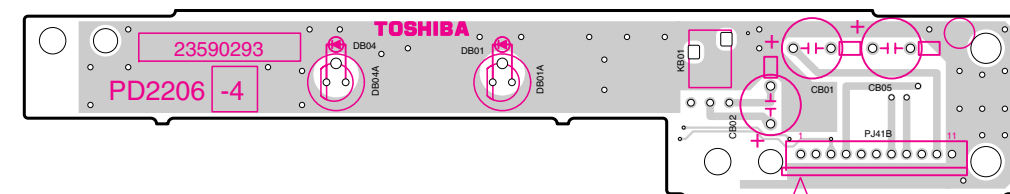
KEY BOARD PD2206A3 (U003C)
TOP (COMPONENT) SIDE



RMT LED BOARD PD2206A4 (U003D)
BOTTOM (FOIL) SIDE



RMT LED BOARD PD2206A4 (U003D)
TOP (COMPONENT) SIDE



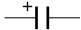

SCHEMATIC DIAGRAM

MODEL : 42WP56P

WARNING : BEFORE SERVICING THIS CHASSIS, READ THE "SERVICE SAFETY PRECAUTIONS" ON PAGE 3 OF THIS MANUAL.

CAUTION : The international hazard symbols " \triangle " in the schematic diagram and the parts list designate components which have special characteristics important for safety and should be replaced only with types identical to those in the original circuit or specified in the parts list. The mounting position of replacements is to be identical with originals. Before replacing any of these components, read carefully the SERVICE SAFETY PRECAUTIONS on the MANUAL for this model. Do not degrade the safety of the receiver through improper servicing.

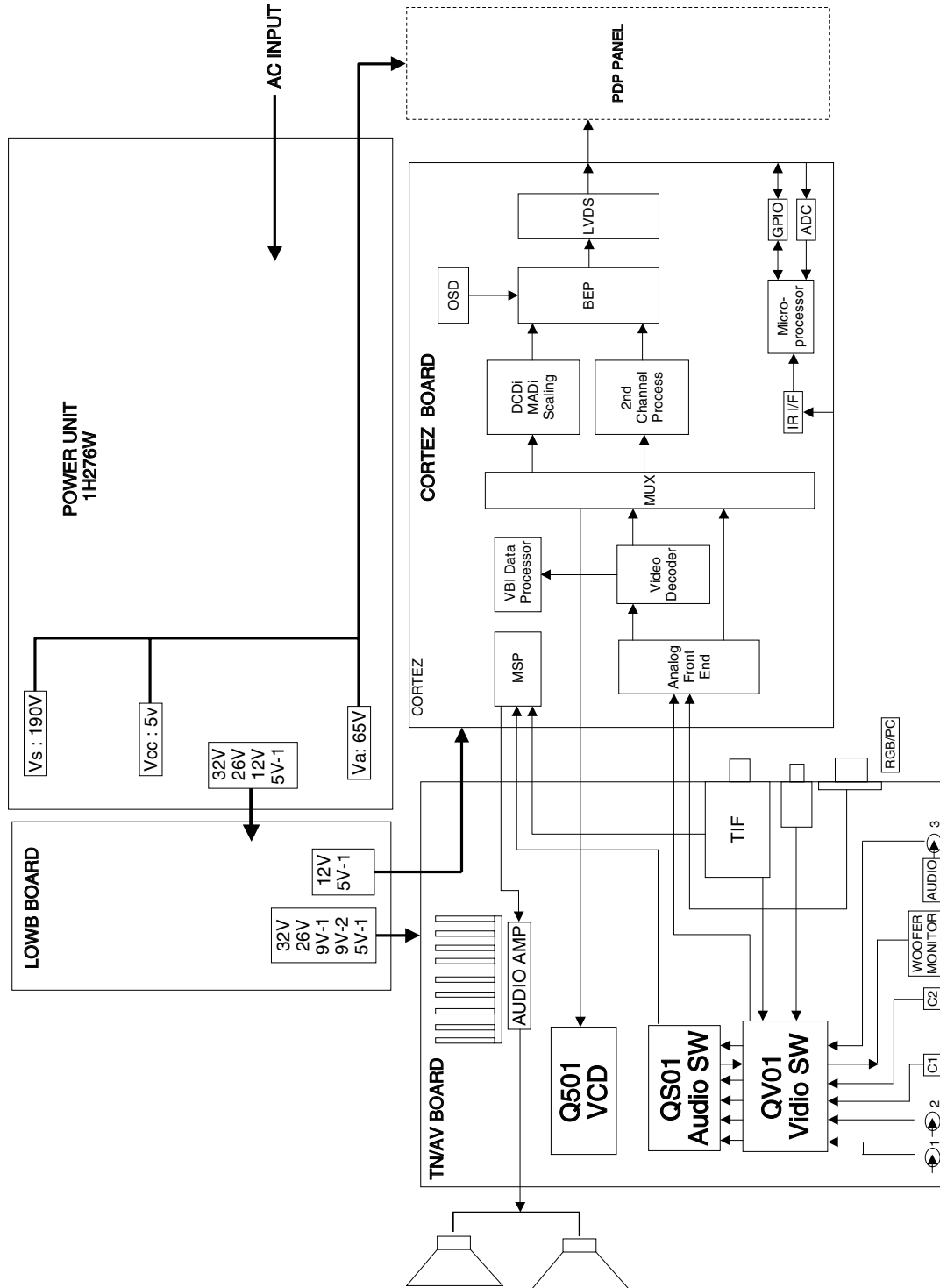
NOTE:

- RESISTOR** Resistance is shown in ohm [K = 1.000, M = 1.000.000]. All resistors are 1/6W and 5% tolerance carbon resistor, unless otherwise noted as the following marks.
1/2R = Metal or Metal oxide of 1/2 watt 1/2S = Carbon composition of 1/2 watt
1RF = Fuse resistor of 1 watt 10W = Cement of 10 watt
K = $\pm 10\%$ G = $\pm 2\%$ F = $\pm 1\%$
- CAPACITOR** Unless otherwise noted in schematic, all capacitor values less than 1 are expressed in μF , and the values more than 1 in pF.
All capacitors are ceramic 50V, unless otherwise noted as the following marks.
 Electrolytic capacitor  Mylar capacitor
- The parts indicated with " \triangle " have special characteristics, and should be replaced with identical parts only.
- Voltages read with DIGITAL MULTI-METER from point indicated to chassing ground, using a color bar signal with all controls at normal, line voltage 220 volts.
- Waveforms are taken receiving color bar signal with enough sensitivity.
- Voltage reading shown are nominal values and may vary $\pm 20\%$ except H.V.

■ SCHEMATIC DIAGRAM STRUCTURE:

LOWB		1/52
CONNECTOR		2/52
AV-TERMINAL		3/52
TIF		4/52
A-OUT		5/52
TEXT-SW		6/52
TV-OUT		7/52
VIDEO-CROMA		8/52
EXPANDER FPR PDP		9/52
FRONT-AV		10/52
KEY		11/52
RMT LED		12/52
SIGNAL	ANALOG IN	[SHEET-200] 13/52
	PIP VCD	[SHEET-206] 14/52
	REG/RESET	[SHEET-207] 15/52
	INPUT LPF	[SHEET-208] 16/52
	Functi	[SHEET-209] 17/52
	D IN A	[SHEET-300] 18/52
	D IN B	[SHEET-301] 19/52
	HDMI (Link, I2C)	[SHEET-302] 20/52
	HDMI Rx#2 (Video/Audio)	[SHEET-303] 21/52
	HDMI Rx#3 (PWR,Audio)	[SHEET-304] 22/52
	HDMI AUDIO PLL	[SHEET-305] 23/52
	HDMI AUDIO DAC	[SHEET-306] 24/52
	HDMI AUDIO OUT	[SHEET-307] 25/52
	HDMI CONTROLLER	[SHEET-308] 26/52
	EEPROM1	[SHEET-309] 27/52
	EEPROM2	[SHEET-310] 28/52
	MICRO I/O	[SHEET-400] 29/52
	OCM MEMORY I/F	[SHEET-401] 30/52
	FLASH MEMORY	[SHEET-402] 31/52
	SYNC SEPA	[SHEET-403] 32/52
	E2P OTHER	[SHEET-404] 33/52
	STD-BY MICOR	[SHEET-405] 34/52
	CORTEZ REG 1	[SHEET-406] 35/52
	CORTEZ REG 2	[SHEET-407] 36/52
	CORTEZ REG 3	[SHEET-408] 37/52
	BOOT CONFIG	[SHEET-409] 38/52
	SERVICE CONNECTOR	[SHEET-410] 39/52
	I2C Switch	[SHEET-411] 40/52
	AUDIO	[SHEET-600] 41/52
	AUDIO MSP	[SHEET-601] 42/52
	CORTEZ 1	[SHEET-700] 43/52
	CORTEZ 2	[SHEET-701] 44/52
	DDR I/F	[SHEET-702] 45/52
	DDR SDRAM	[SHEET-703] 46/52
	DDR TERMINATION	[SHEET-704] 47/52
	DCDC CONV.	[SHEET-802] 48/52
	LVDS OUT	[SHEET-900] 49/52
	LVDS OUT(SHARP LCD)	[SHEET-901] 50/52
	Power Connector and Dimming	[SHEET-902] 51/52
	LVDS Power and Others	[SHEET-903] 52/52

CIRCUIT BLOCK DIAGRAM



SPECIFICATIONS

Broadcast systems/channels

PAL-I	UHF UK21-UK69
PAL-B/G	UHF E21-E69 VHF E2-E12, S1-S41
SECAM-L	UHF F21-F69 VHF F1-F10, B-Q
SECAM-D/K	UHF R21-R69 VHF R1-R12

Video Input PAL, SECAM, NTSC 3.58/4.43

External connections

EXT1	Input	21-pin SCART	RGB, A/V
EXT2	Input/Output	21-pin SCART	A/V, S-video Selectable output
EXT3	Input (Side)	4 pin Phono jack Phono jacks	S-video Video Audio L + R
PC	Input Input	Mini D-sub 15-pin 3.5mm stereo jack	Analog RGB signal Audio

Programme Positions 100

Stereo Nicam
2 carrier system

Visible Screen Size 105cm
(approx.)

Display 16:9

Sound output (at 10% distortion) Main 10W + 10W

Power consumption 315W
as specified in EN60107-1 : 1997

Standby (approx.) <1W

Dimension 78cm (H) 110cm (W) 39cm (D)
(approx.) (Height dimension includes foot stand)

Weight (approx.) 47kg

Headphone socket 3.5mm stereo

Accessories Remote control
2 batteries
(AAA, IEC R03 1.5V)

TOSHIBA CORPORATION
1-1, SHIBAURA 1-CHOME, MINATO-KU, TOKYO 105-8001, JAPAN