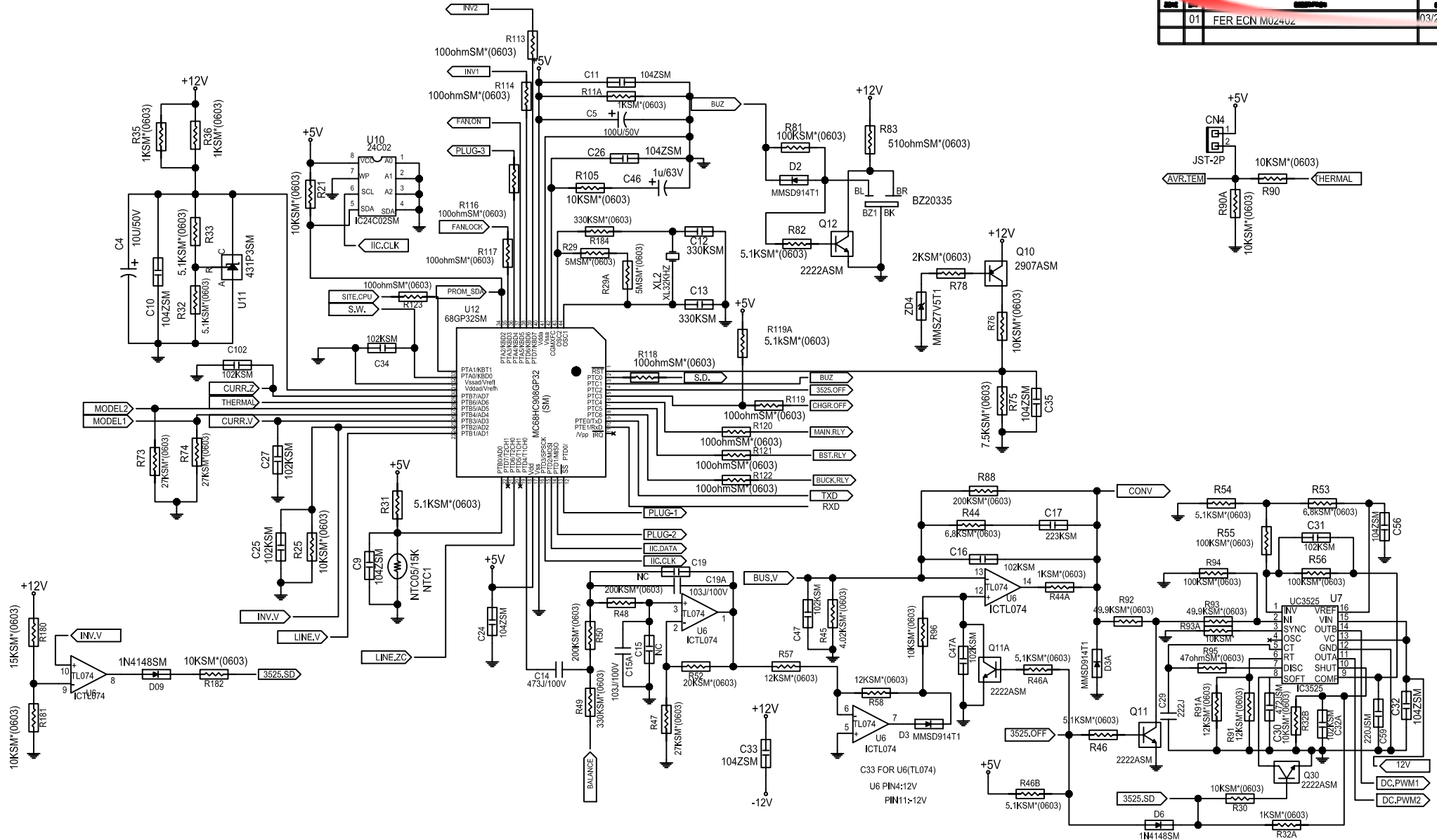
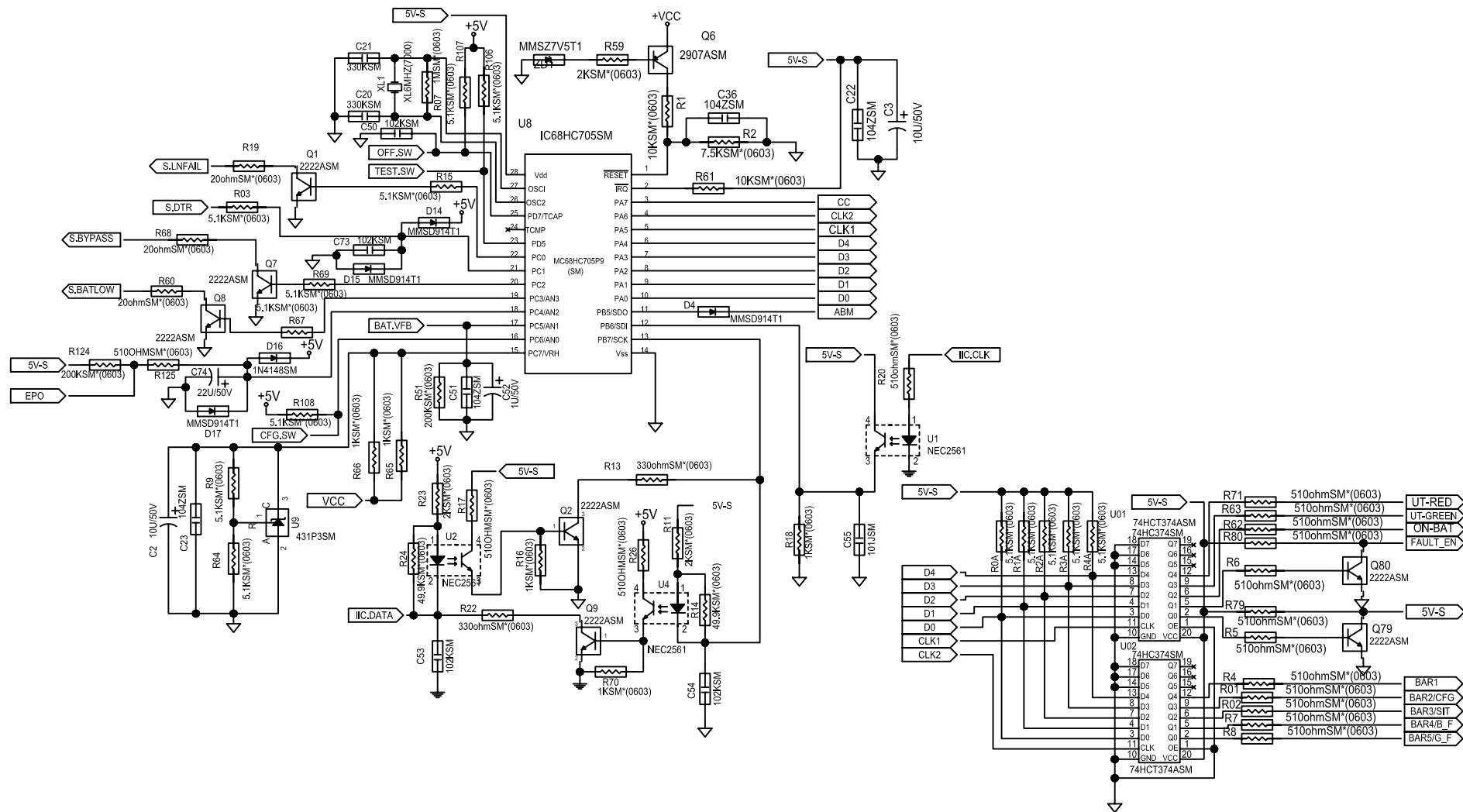


01	FER ECN MU2402	03/20/02	N.D.
----	----------------	----------	------



MATERIAL:	DRAWN: RHINE	DATE: 05/17/02	
FINISH:	CHECKED: LARRY	DATE: 05/17/02	
	MECH DESIGN: WINDY	DATE: 05/17/02	
	ELEC DESIGN: LARRY	DATE: 05/17/02	
TITLE			PW5125 LUXURY TOWER CONTROL SCHEMATICS
PROPERTY OF POWERWARE CORPORATION, NOT TO BE USED FOR MANUFACTURING PURPOSES WITHOUT WRITTEN CONSENT OF POWERWARE			SIZE: B DRAWING NO: SK710-15140-01 REV: 00-S9
CODE IDENT NO	SCALE	PRODUCT: PW5125	SHEET: 1 OF 4

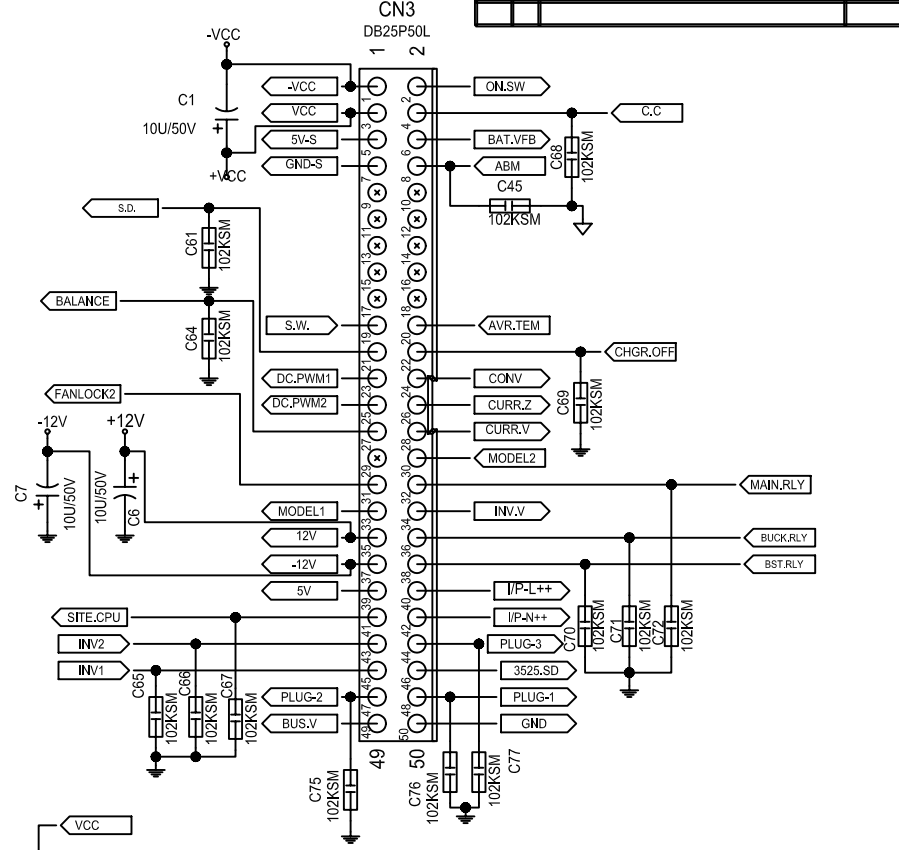
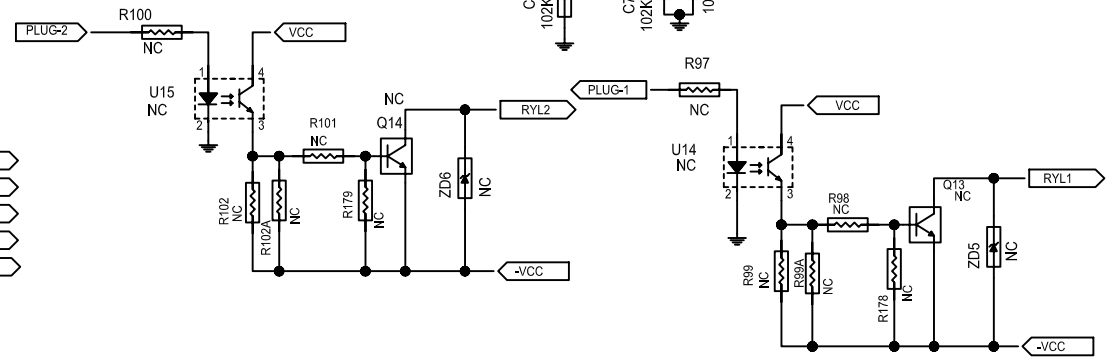
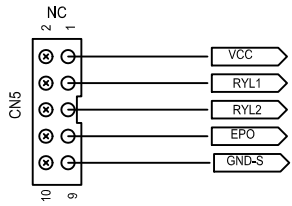
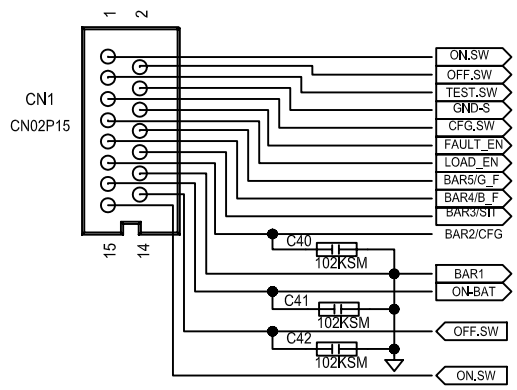
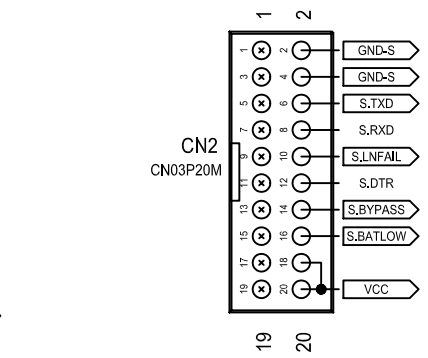
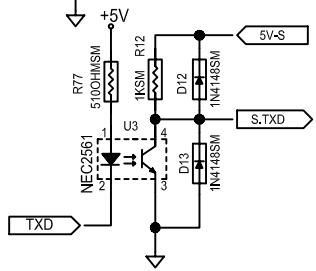
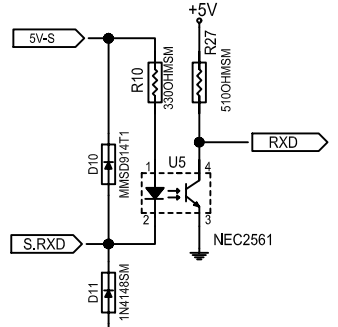
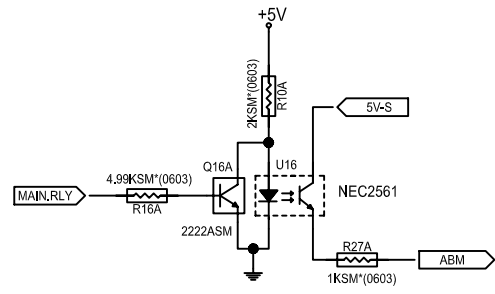
REV	DATE	BY	APP'D
01	03/20/02	FER ECN M02402	N.D.



MATERIAL:	DRAWN: RHINE CHECKED: LARRY	DATE: 05/17/02 DATE: 05/17/02	
FINISH:	MECH DESIGN: WINDY ELEC DESIGN: LARRY	DATE: 05/17/02 DATE: 05/17/02	
TITLE			PW5125 LUXURY TOWER CONTROL SCHEMATICS
PROPERTY OF POWERWARE CORPORATION, NOT TO BE USED FOR MANUFACTURING PURPOSES WITHOUT WRITTEN CONSENT OF POWERWARE			
SIZE	B	COM CODE	DRAWING NO
SCALE		PRODUCT	SK710-15140-01
CODE IDENT NO		SHEET	00-S9
		OF	4

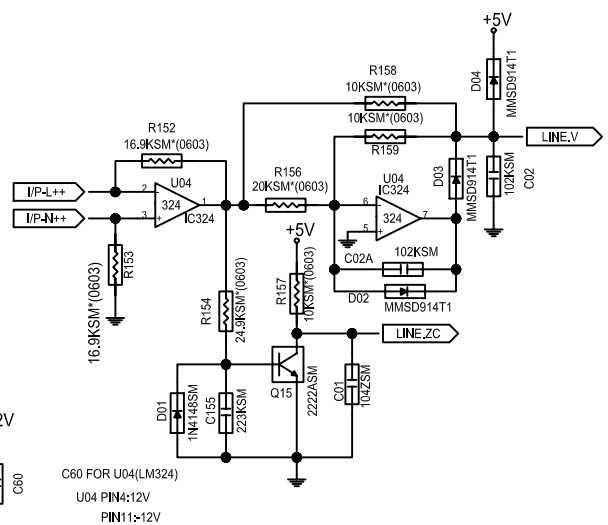
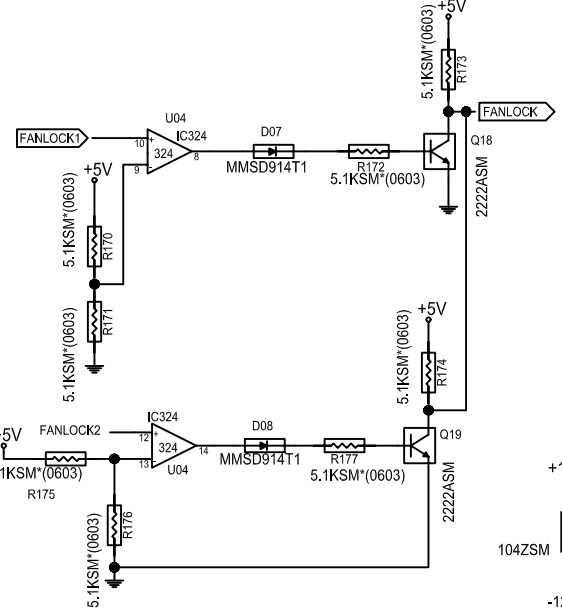
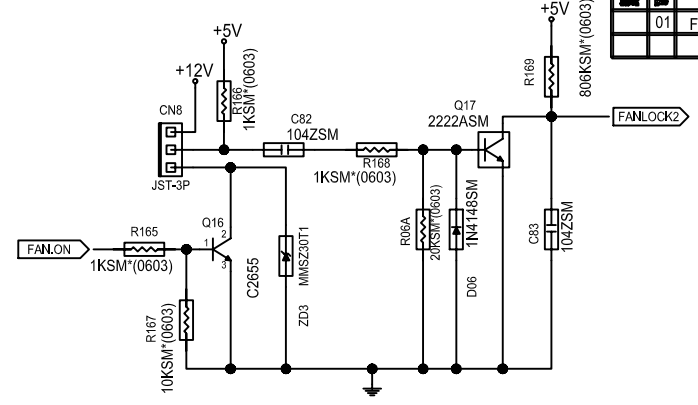
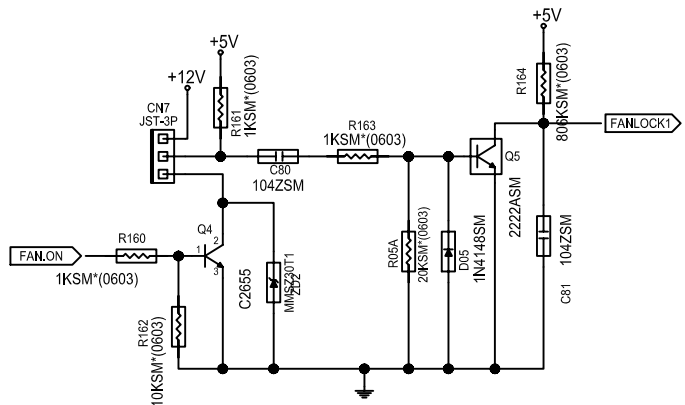
www.vinafix.vn

REV	DATE	BY	APP
01	FER ECN M02402	03/20/02	N.D.



MATERIAL:	DRAWN: RHINE CHECKED: LARRY MECH DESIGN: WINDY ELEC DESIGN: LARRY	DATE: 05/17/02 DATE: 05/17/02 DATE: 05/17/02 DATE: 05/17/02	POWERWARE <i>Small Systems Group</i>
FINISH:	TITLE PW5125 LUXURY TOWER CONTROL SCHEMATICS	PROPERTY OF POWERWARE CORPORATION, NOT TO BE USED FOR MANUFACTURING PURPOSES WITHOUT WRITTEN CONSENT OF POWERWARE SIZE B CODE IDENT NO	
		DRAWING NO SK710-15140-01 REV 00-S9 SCALE PRODUCT PW5125 SHEET 3 OF 4	

REV	DATE	BY	CHKD
01	03/20/02		
FER ECN M02402			N.D.



	717XLP	715XLP	716XLP
R175	5.1KSM*(0603)	NC	NC
R176	5.1KSM*(0603)	NC	NC
D08	MMSD914T1	NC	NC
R177	5.1KSM*(0603)	NC	NC
Q19	2222ASM	NC	NC
R174	5.1KSM*(0603)	NC	NC
R165	1KSM*(0603)	NC	NC
Q16	C2655	NC	NC
R167	10KSM*(0603)	NC	NC
ZD3	MMSZ30T1	NC	NC
R06A	20KSM*(0603)	NC	NC
D06	1N4148SM	NC	NC
C83	104ZSM	NC	NC
R169	806KSM*(0603)	NC	NC
Q17	2222ASM	NC	NC
R168	1KSM*(0603)	NC	NC
C82	104ZSM	NC	NC
R166	1KSM*(0603)	NC	NC
CN8	JST-3P	NC	NC

MATERIAL:	DRAWN: RHINE	DATE: 05/17/02			
	CHECKED: LARRY	DATE: 05/17/02			
	MECH DESIGN: WINDY	DATE: 05/17/02			
	ELEC DESIGN: LARRY	DATE: 05/17/02			
FINISH:			TITLE		
			PW5125 LUXURY TOWER CONTROL SCHEMATICS		
	PROPERTY OF POWERWARE CORPORATION, NOT TO BE USED FOR MANUFACTURING PURPOSES WITHOUT WRITTEN CONSENT OF POWERWARE	SIZE B	COM CODE	DRAWING NO SK710-15140-01	REV 00-S9
	CODE IDENT NO	SCALE	PRODUCT PW5125	SHEET 4 OF 4	