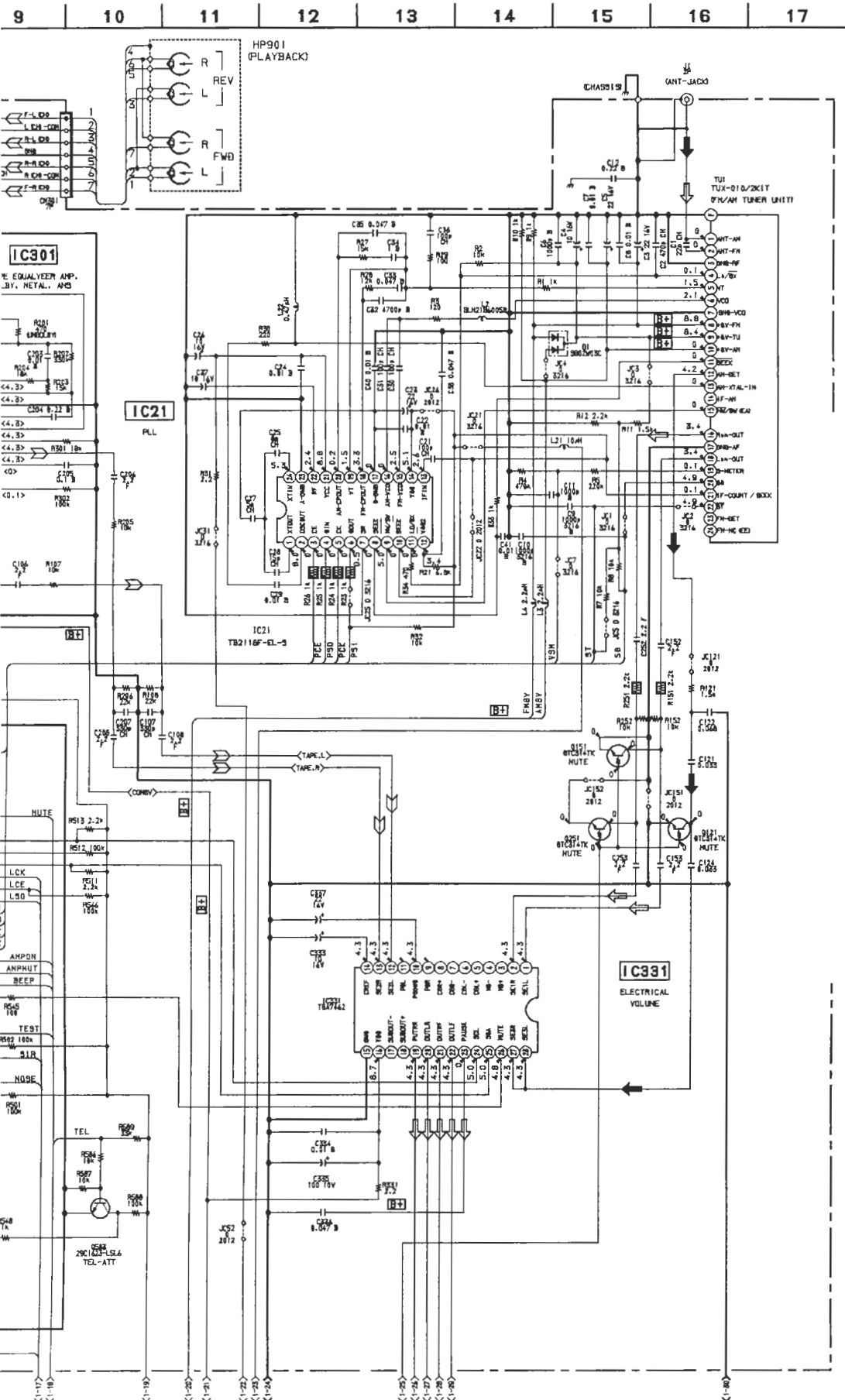
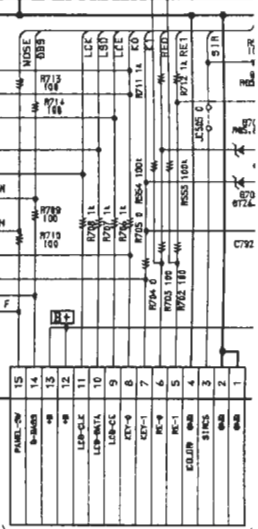
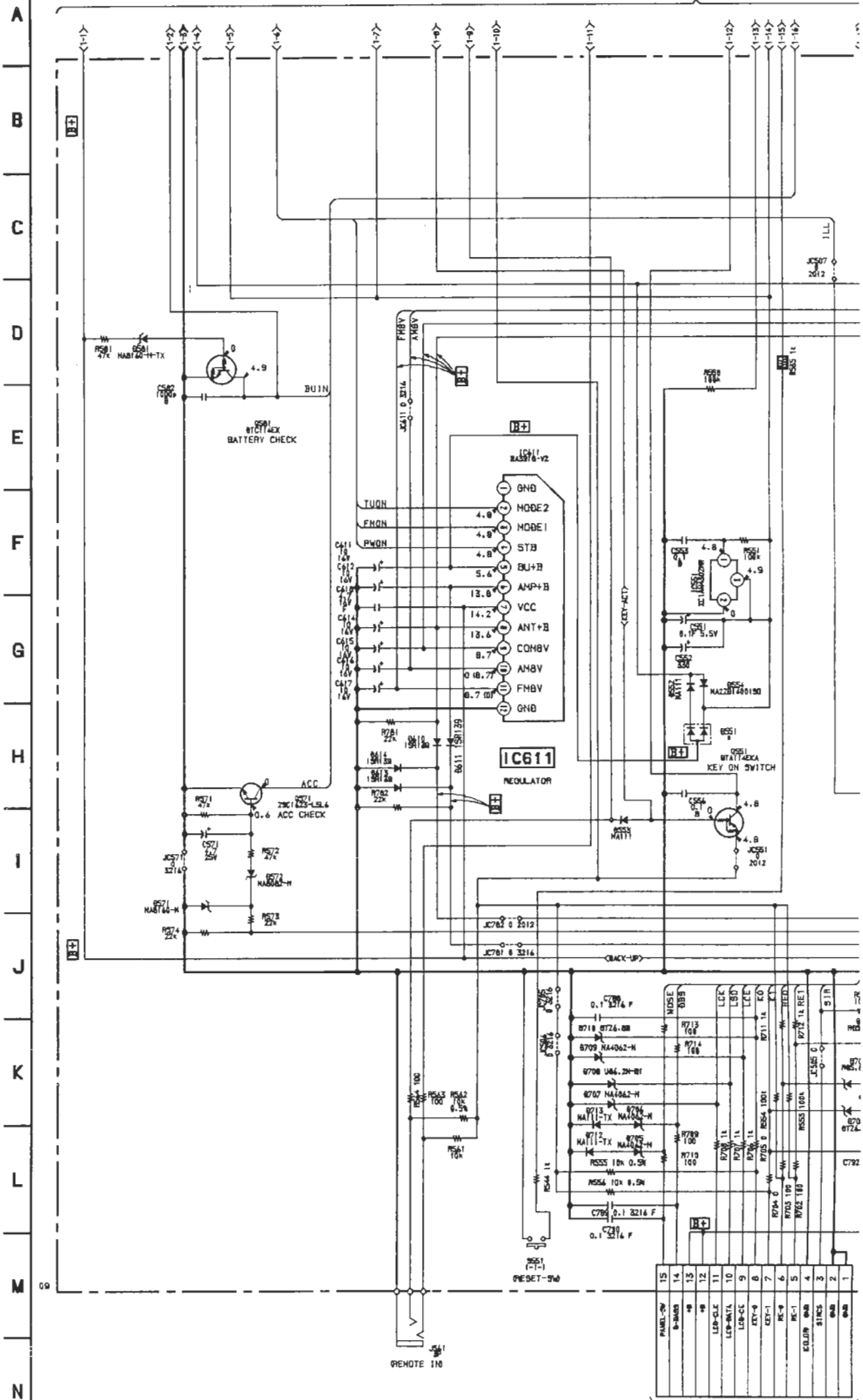


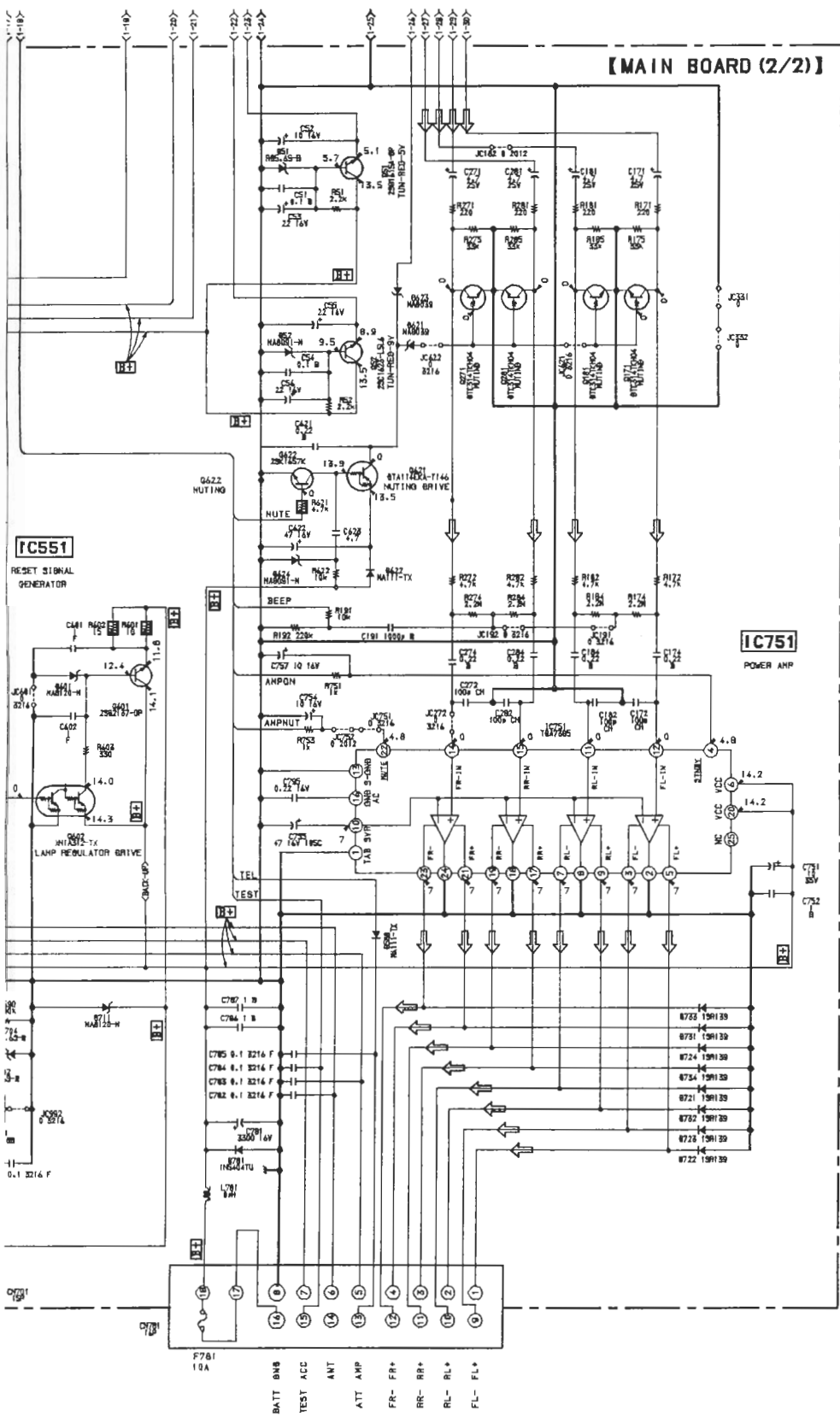
Diagrams.



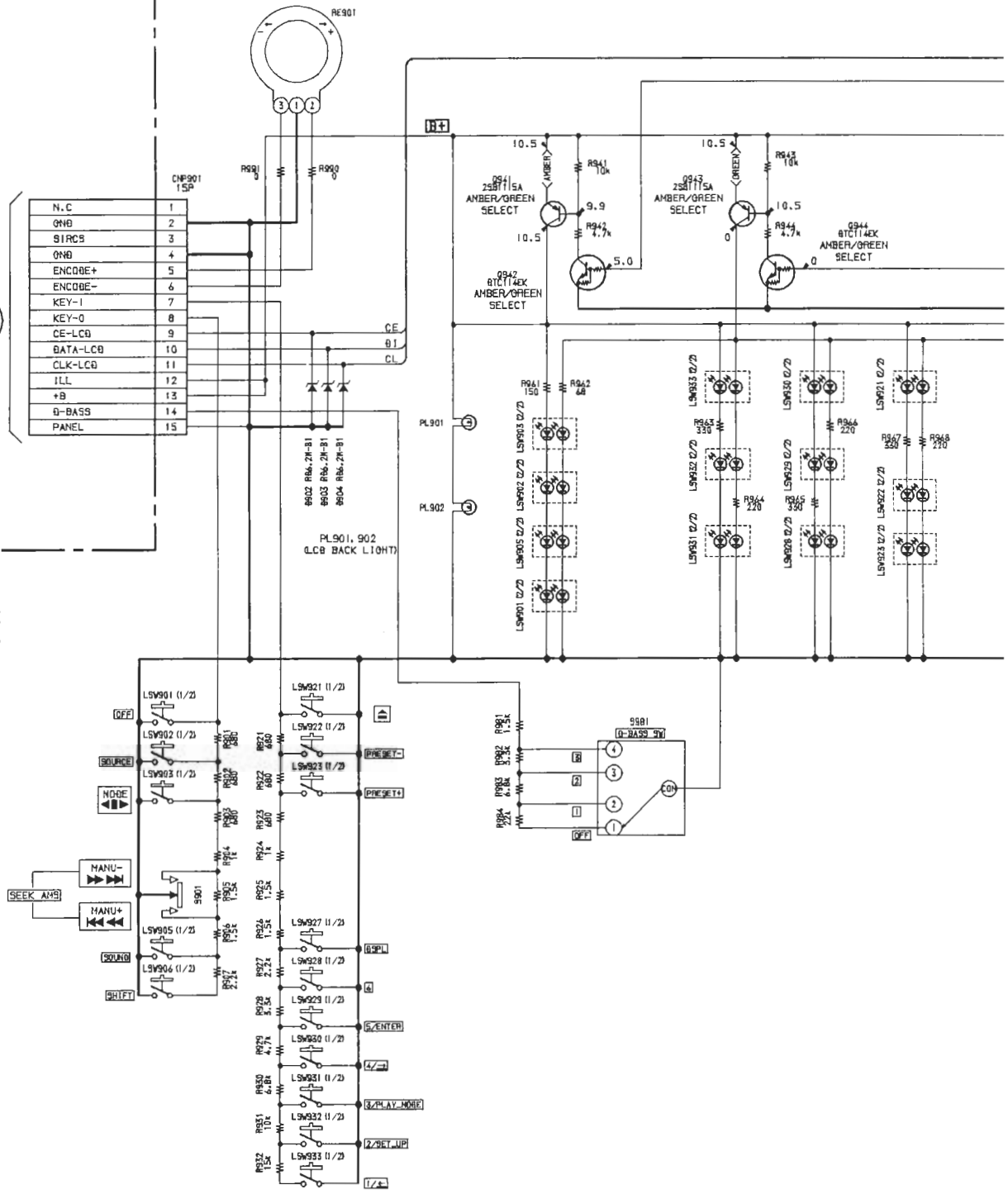


2)

【MAIN BOARD (2/2)】



# [ KEY BOARD ]



A

