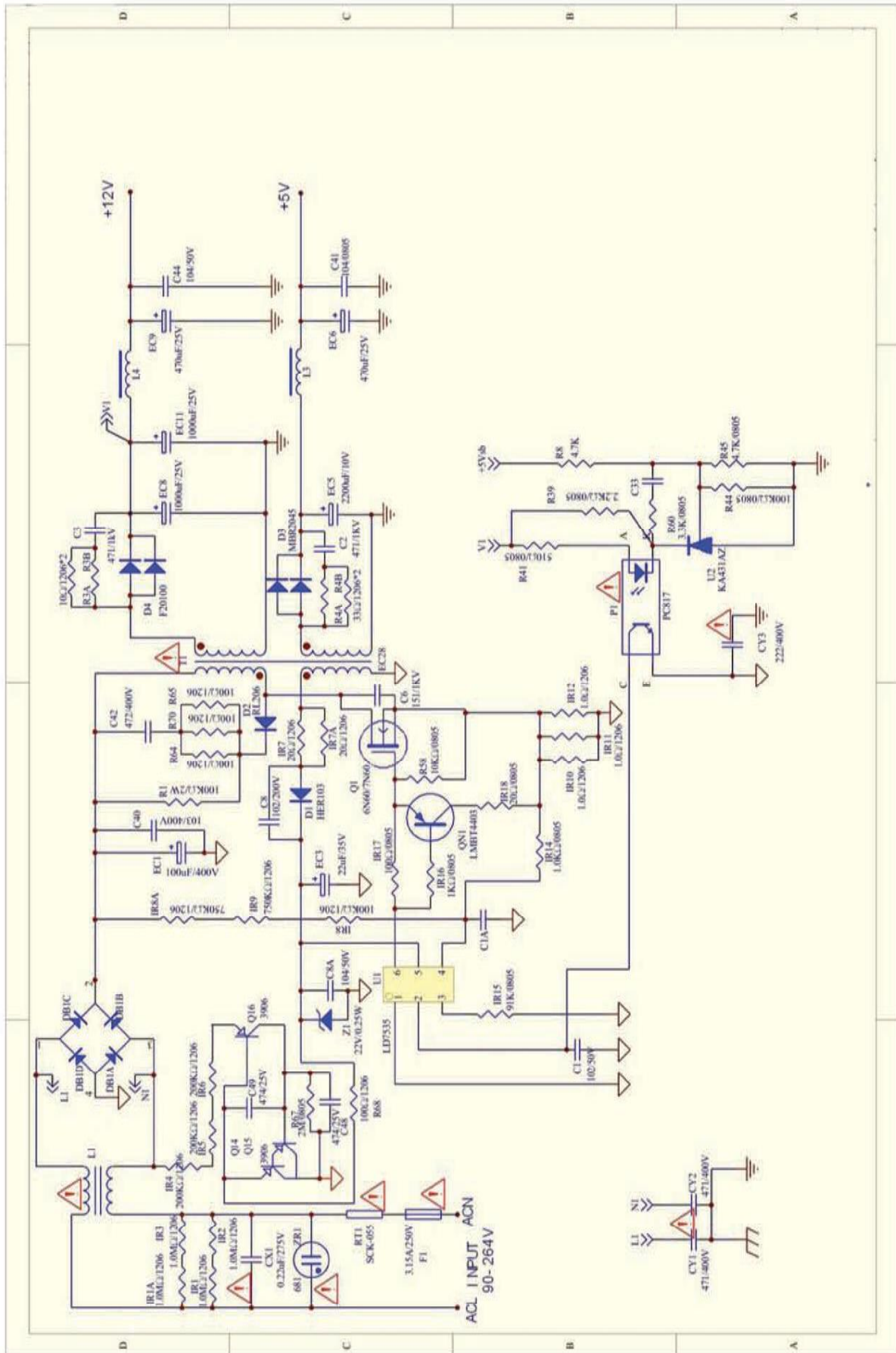


Power Supply Circuit Diagram



Inverter Circuit Diagram

