

**SERVICE PRECAUTION:**  
 THE AREA ENCLOSED BY THIS LINE IS DIRECTLY CONNECTED WITH AC MAINS VOLTAGE. WHEN SERVICING THE AREA, CONNECT AN ISOLATING TRANSFORMER BETWEEN RECEIVER AND AC LINE TO ELIMINATE HAZARD OF ELECTRIC SHOCK.

	CBP2572	CBP2573
PIP	None	built-in

**PRODUCT SAFETY NOTICE**  
 Product safety should be considered when a component replacement is made in any area of a receiver. Components indicated by a mark in this circuit diagram show components whose value has ideal significance to product safety. It is particularly recommended that only parts specified on the parts list of service manuals be used for components replacement pointed out by the mark.

- CIRCUIT DIAGRAM NOTES**
- All resistance values in ohms K = 1,000 M = 1,000,000.
  - Excepting electrolytic capacitor, all capacitance values less than 1 are expressed in  $\mu\text{F}$ , and the values more than 1 are in pF. Electrolytic capacitance values in  $\mu\text{F}$ .
  - All inductance values in  $\mu\text{H}$ .
  - Voltage reading taken with "TESTER" from point indicated to chassis ground.
  - Voltage reading taken using colour bar signal, all controls at normal. AFT switch in "OFF" position. Some voltage may vary with signal strength.
  - Waveforms were taken with colour bar signal and controls adjusted for normal picture. Waveforms were taken using a wide band oscilloscope and low capacity probe.
  - This circuit diagram covers basic or representative chassis only. There may be some component or partial circuit difference between actual chassis and circuit diagram.

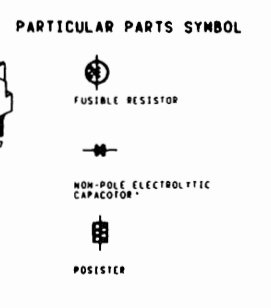
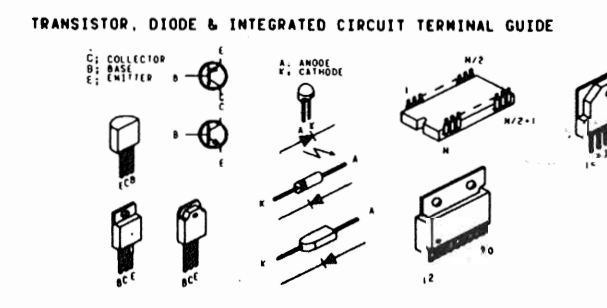
**Expression of capacitance and resistance in circuit diagram**

**CAPACITANCE (Example)**  
 1000 C M 2200 D

Characteristic Capacitance value (2200pF)  
 Rated voltage (1000V)

**RESISTANCE (Example)**  
 1/2 R 1/2

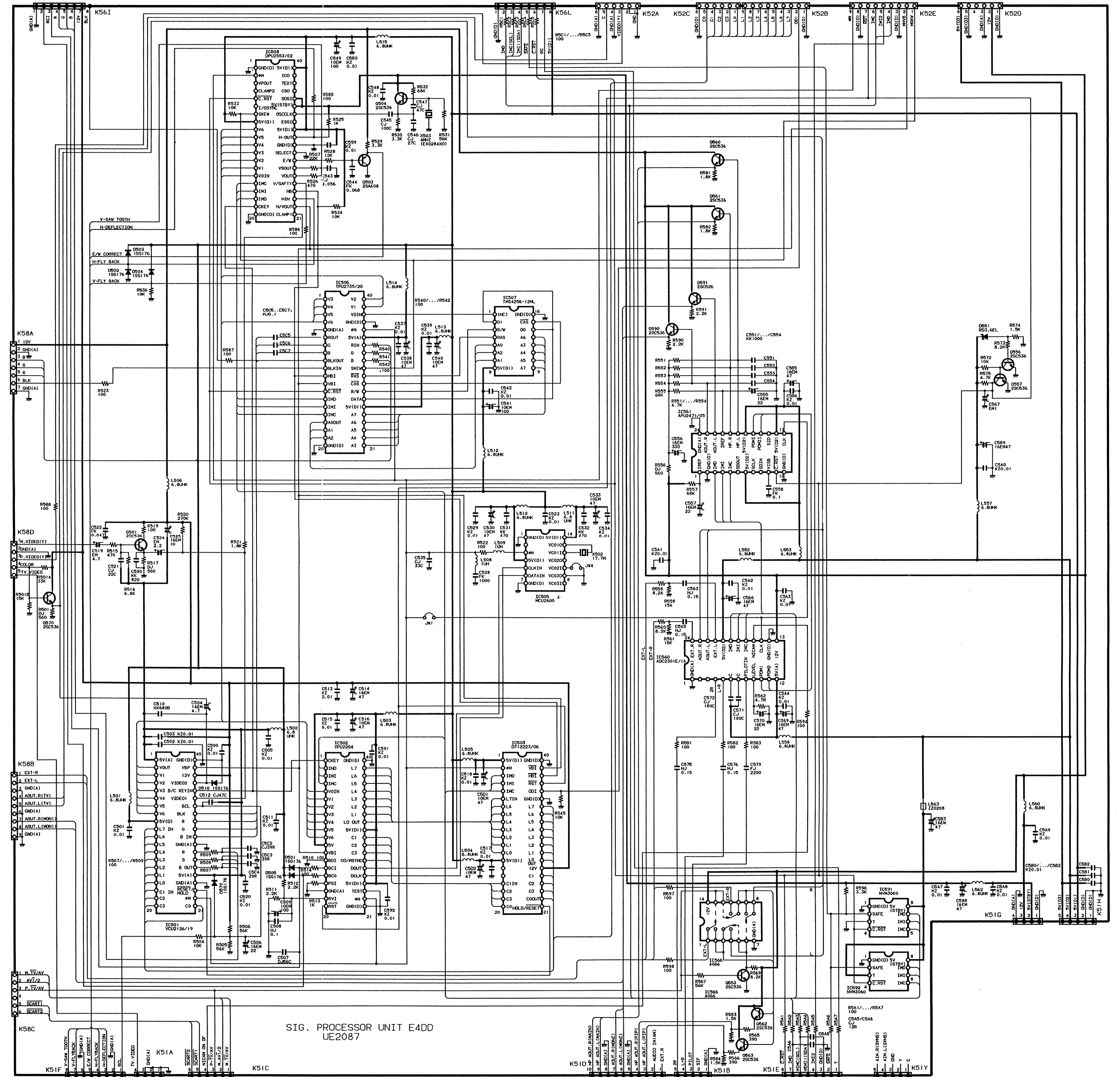
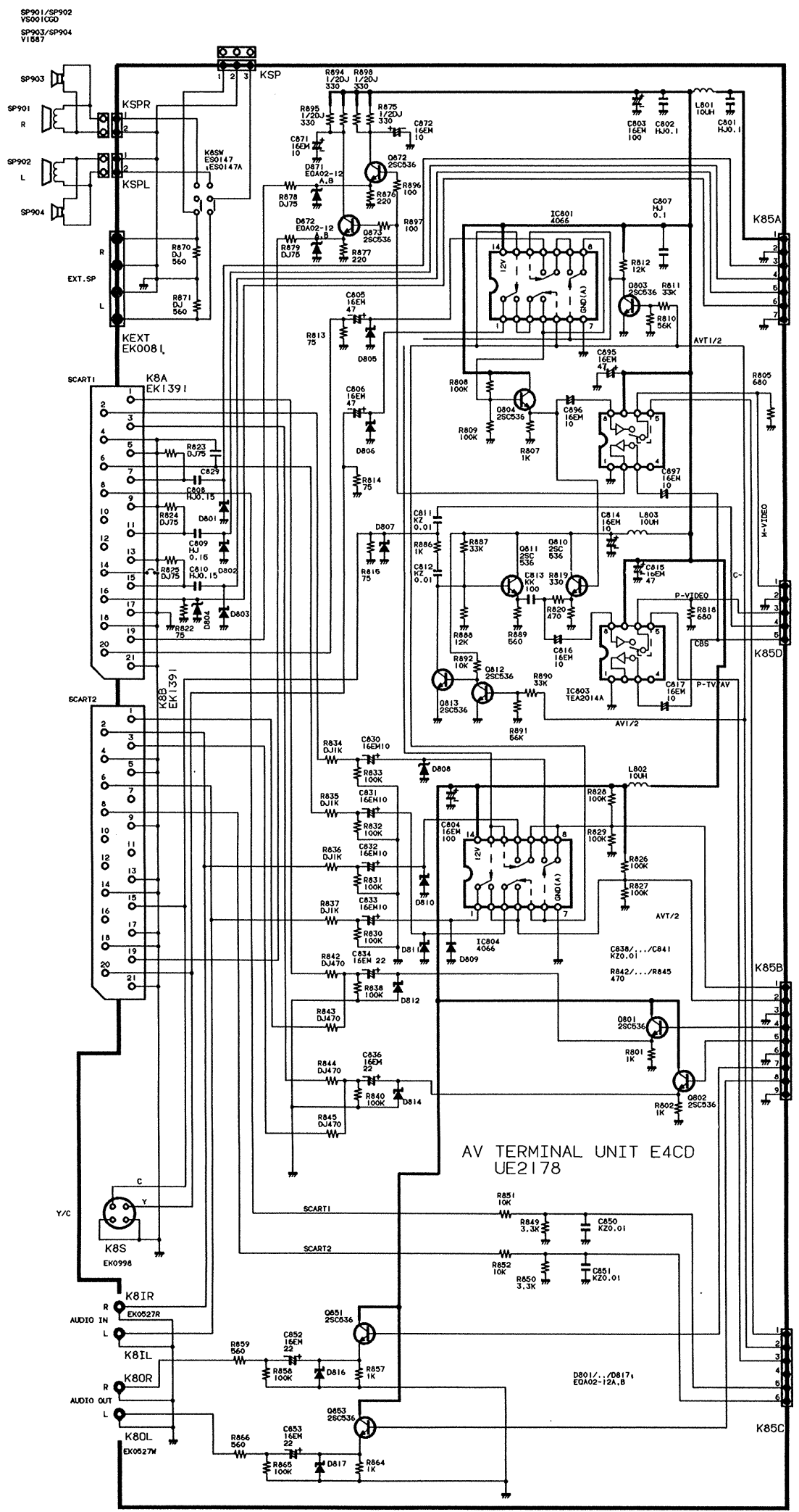
Kind (Metalized carbon)  
 Rated Wattage (1/2W)



**COLOUR TELEVISION**

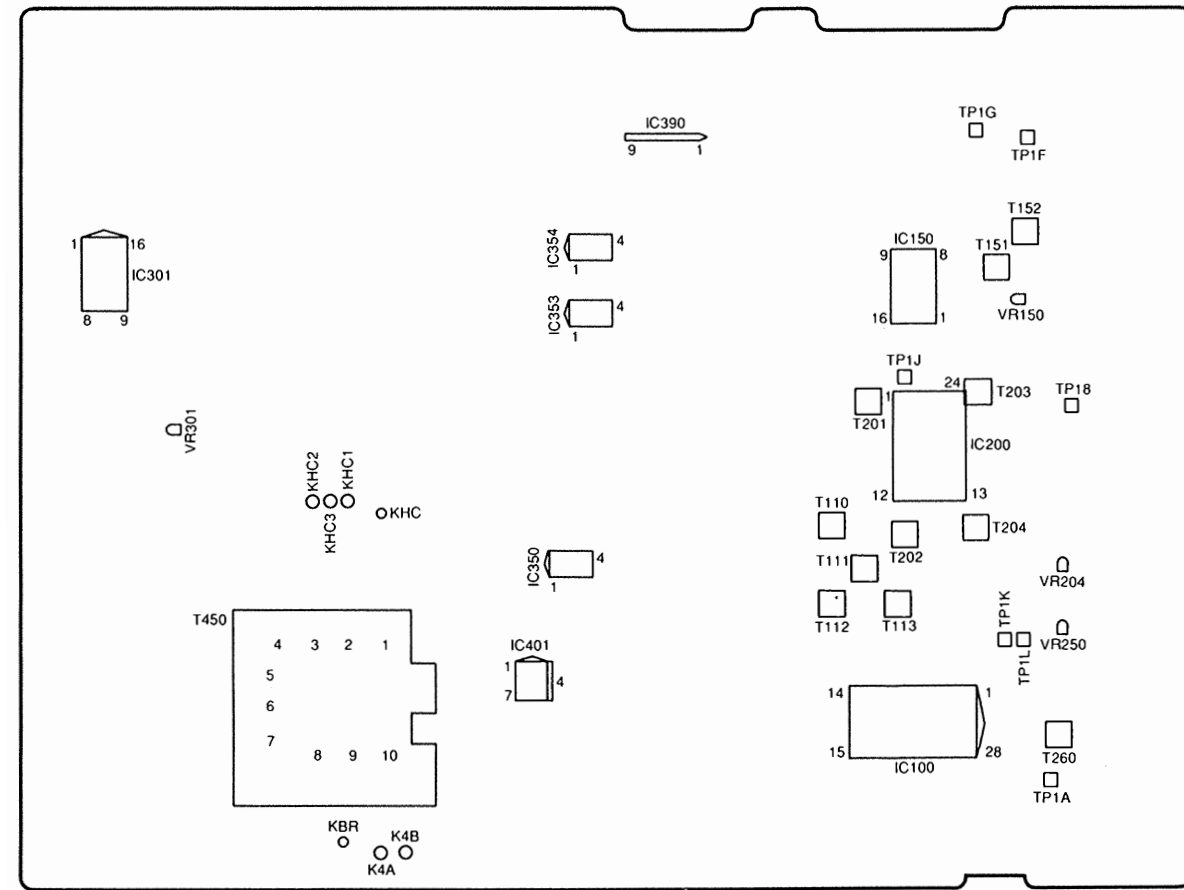
**SANYO ED1 CHASSIS SERIES**

**SERVICE REF. NO. CBP2572-00 CBP2573-00**

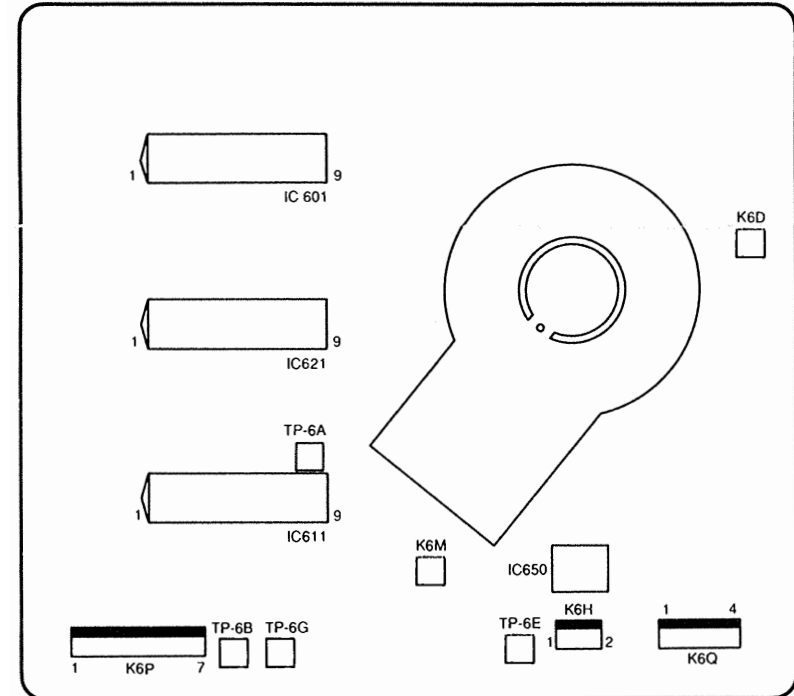


# COMPONENT LOCATION

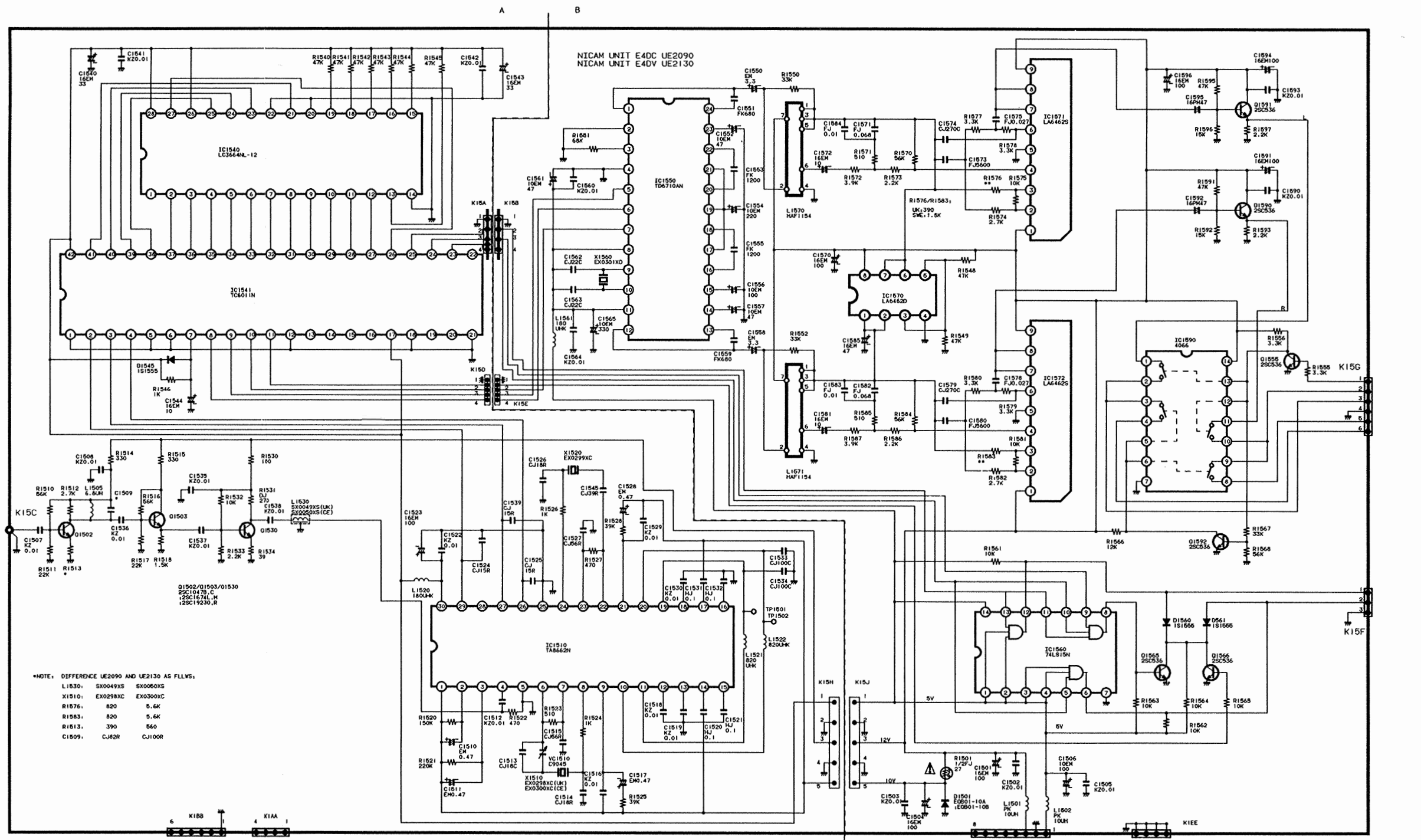
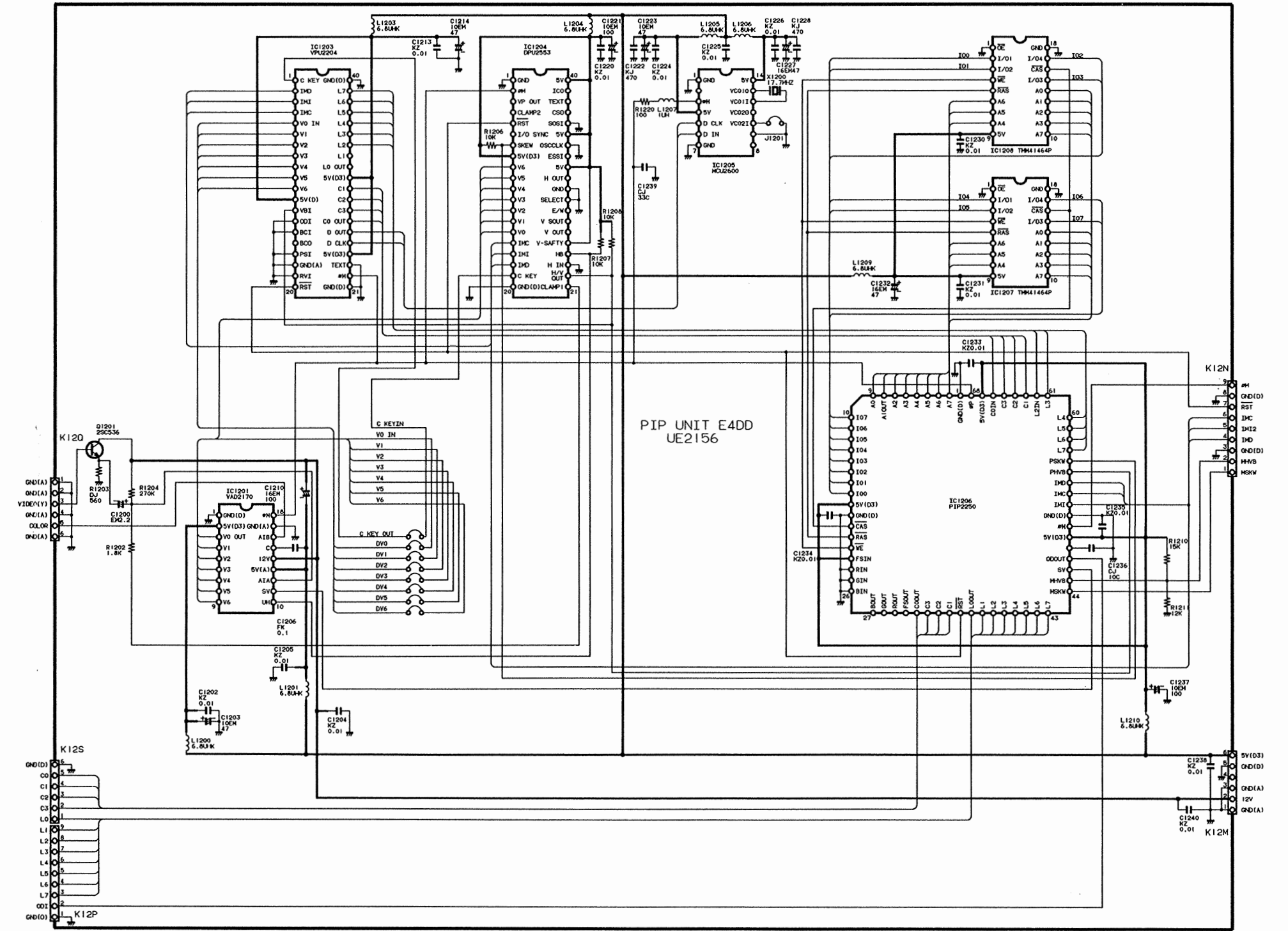
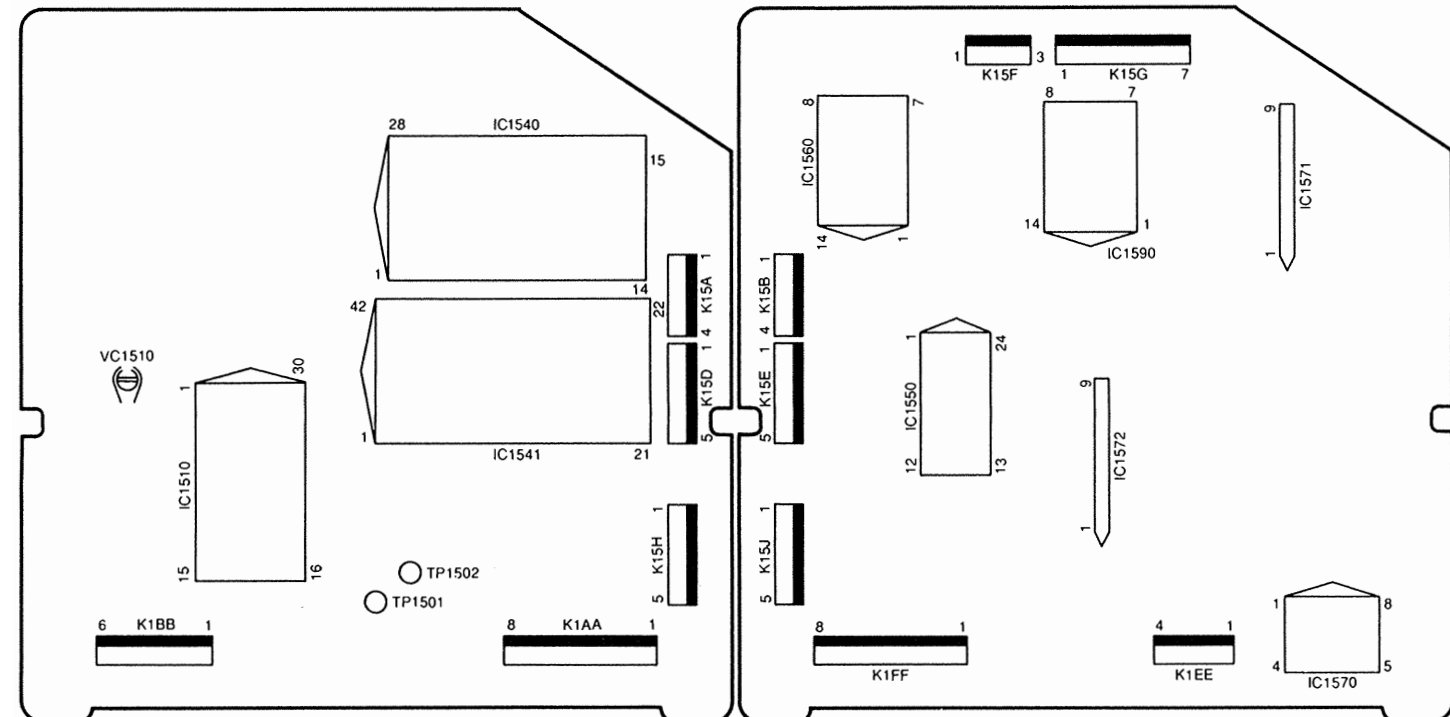
## MAIN BOARD



## CRT BOARD



## NICAM BOARD

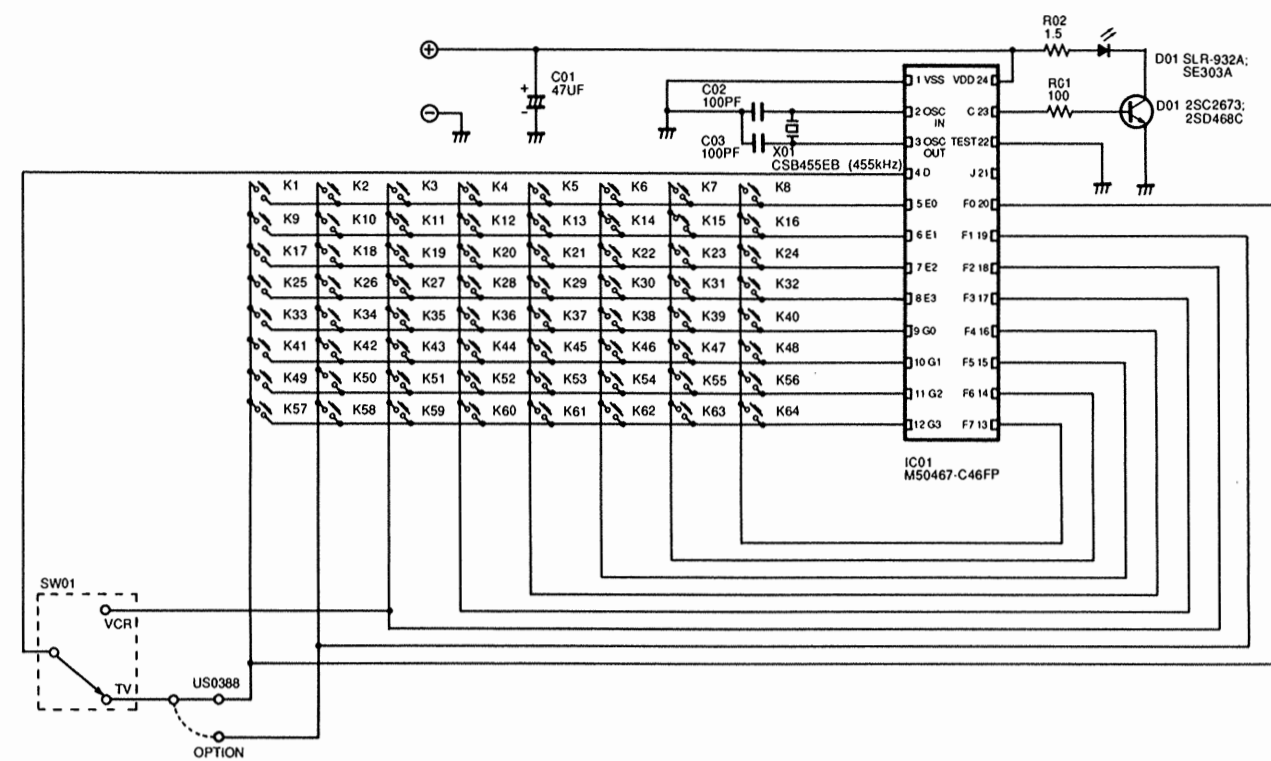


[1]SW-TV

KEY NO.	Hex CODE	TV Function	KEY NO.	Hex CODE	TV Function
K1	00	0	K33	40	SOUND FUNCTION
K2	01	1	K34	41	---
K3	02	2	K35	42	---
K4	03	3	K36	43	---
K5	04	4	K37	44	---
K6	05	5	K38	45	---
K7	06	6	K39	46	MENU OFF/TV-MIX-TEXT
K8	07	7	K40	47	---
K9	08	8	K41	48	RGB BRIGHT
K10	09	9	K42	49	RED
K11	0A	--- / -> GO BACK	K43	4A	GREEN
K12	0B	CS/BANK	K44	4B	YELLOW
K13	0C	POS/VIDEO LEVEL/PAGE +	K45	4C	CYAN
K14	0D	POS/VIDEO LEVEL/PAGE -	K46	4D	SHARPNESS
K15	0E	CONTRAST	K47	4E	HOLD
K16	0F	---	K48	4F	REVEAL
K17	10	POS SCAN/PIP STROBE	K49	50	CANCEL
K18	11	NORMAL	K50	51	MENUNEX
K19	12	FINE TUNING <->	K51	52	MODE FLOP/BANK
K20	13	---	K52	53	STEREOMONO
K21	14	TV/VIDEO TV/	K53	54	MEMORY
K22	15	MUTE	K54	55	W
K23	16	VOLUME / SOUND LEVEL -	K55	56	SIZE
K24	17	VOLUME / SOUND LEVEL +	K56	57	WIDE
K25	18	RECALL/STATUS	K57	58	HP SOURCE SELECT
K26	19	TIMERS/SUBCODE	K58	59	HP CONTRL
K27	1A	COLOR	K59	5A	PIP SIZE
K28	1B	---	K60	5B	PIP ON/OFF
K29	1C	POWER	K61	5C	PIP SELECT
K30	1D	TINT	K62	5D	PIP REPLACE
K31	1E	BRIGHT	K63	5E	PIP FREEZE
K32	1F	---	K64	5F	PIP LOCATION

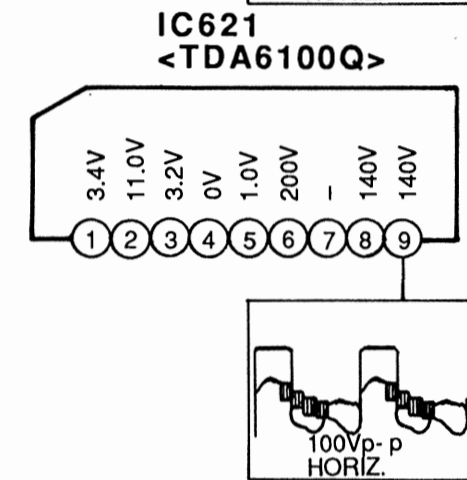
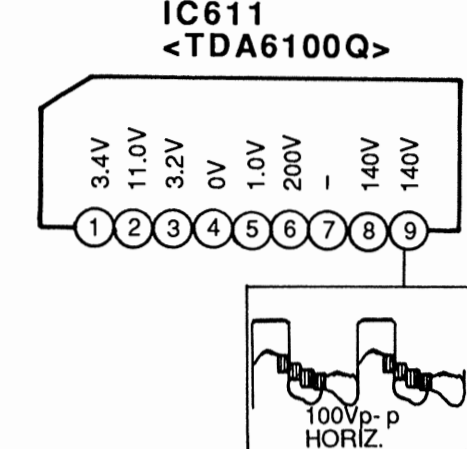
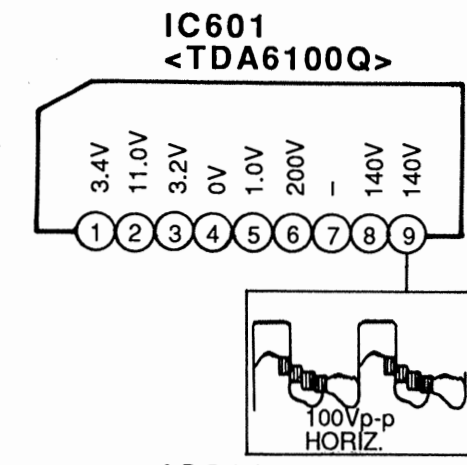
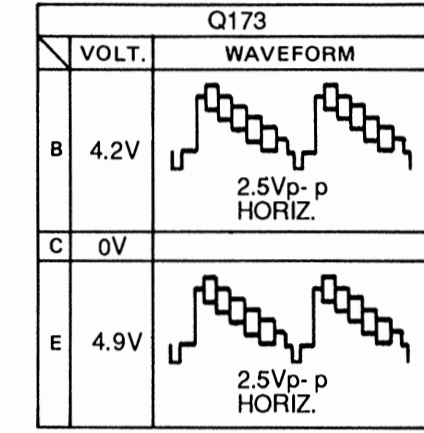
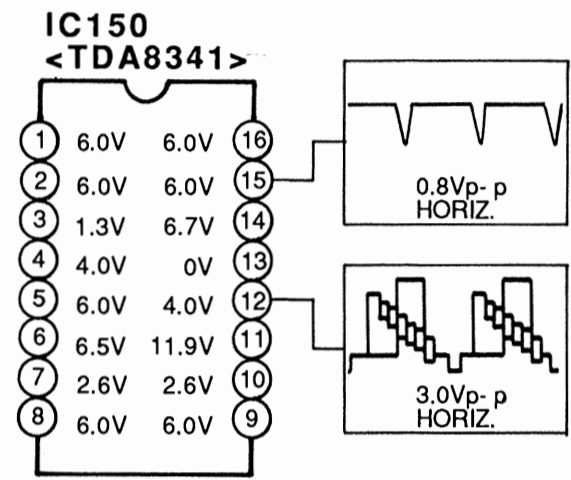
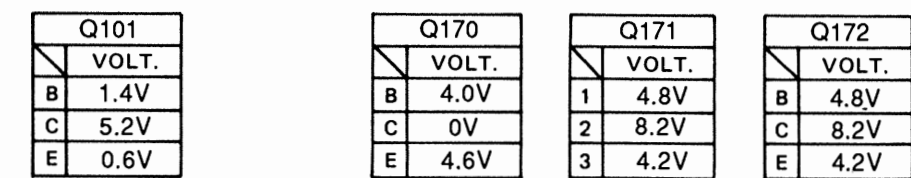
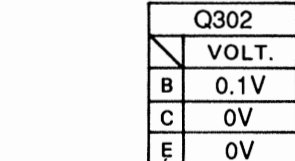
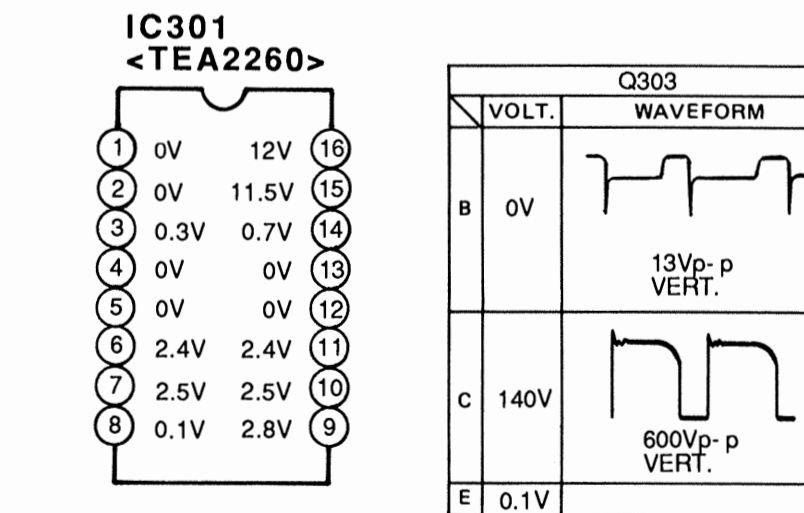
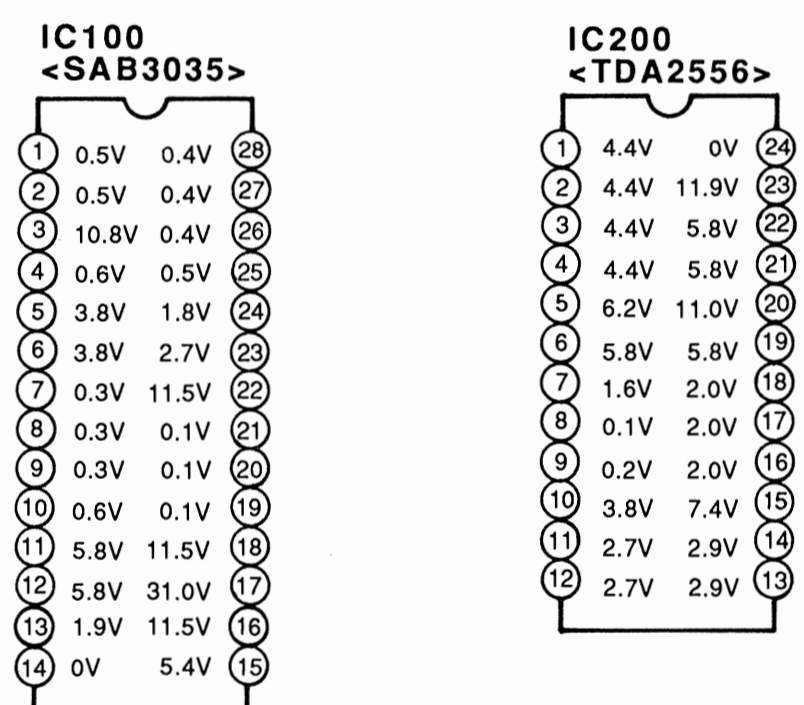
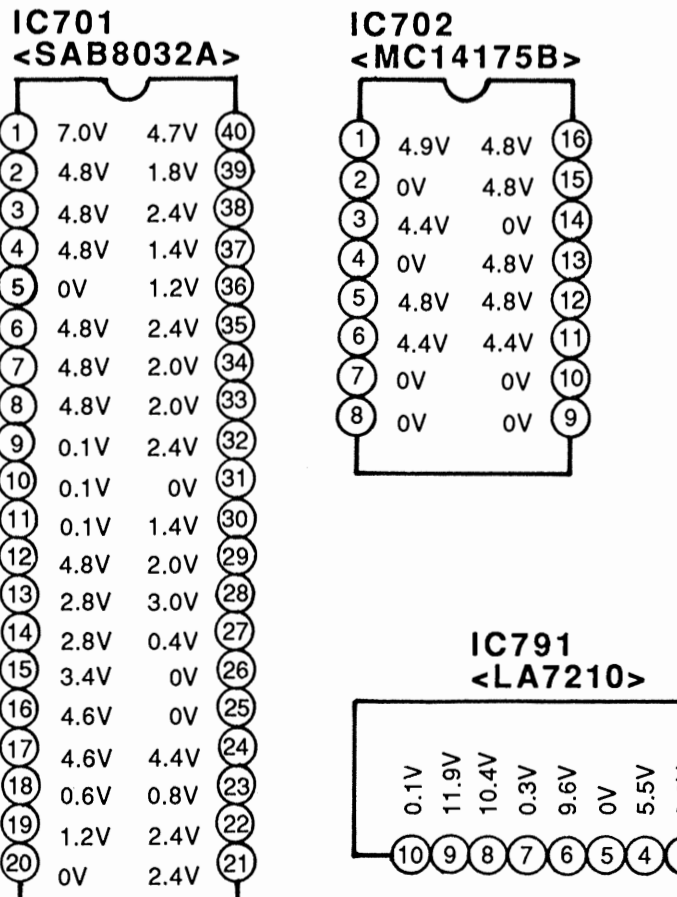
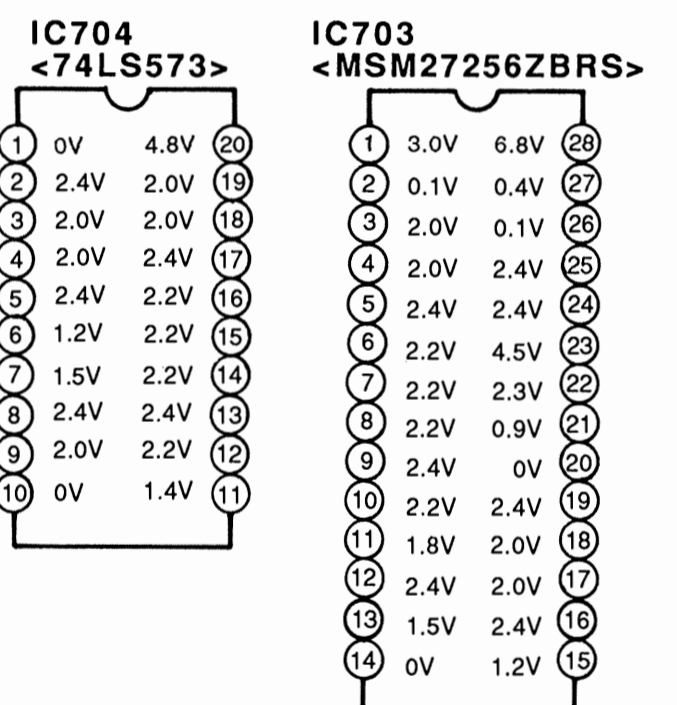
[2]SW-VCR

KEY NO.	Hex CODE	VCR Function	KEY NO.	Hex CODE	VCR Function
K13	01	CH-	K29	00	POWER
K14	02	CH+	K32	13	FF
K16	10	STOP	K34	14	PLAY
K20	11	PAUSE	K36	15	REC
K28	12	REW			



REMOTE CONTROL TRANSMITTER US0389, US0388 (PIP built in)

CONTROL UNIT



CRT UNIT

