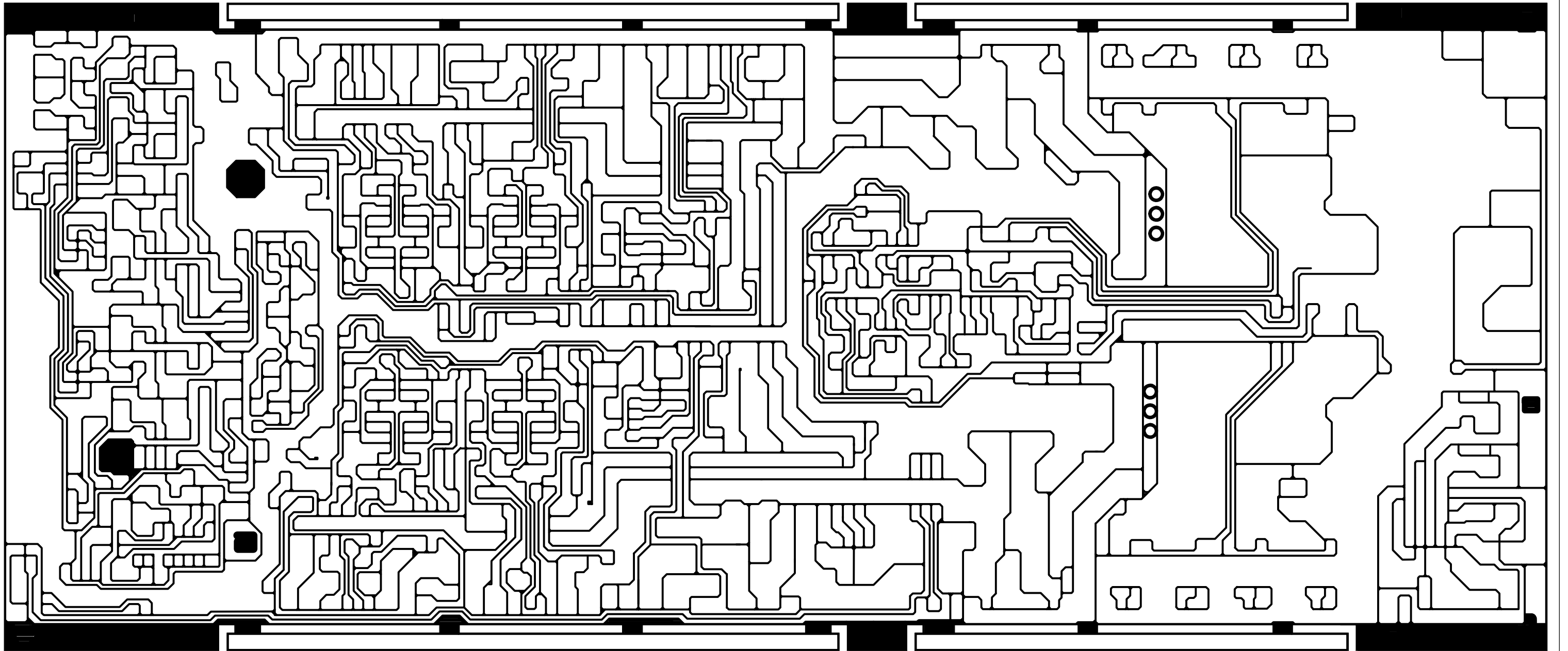
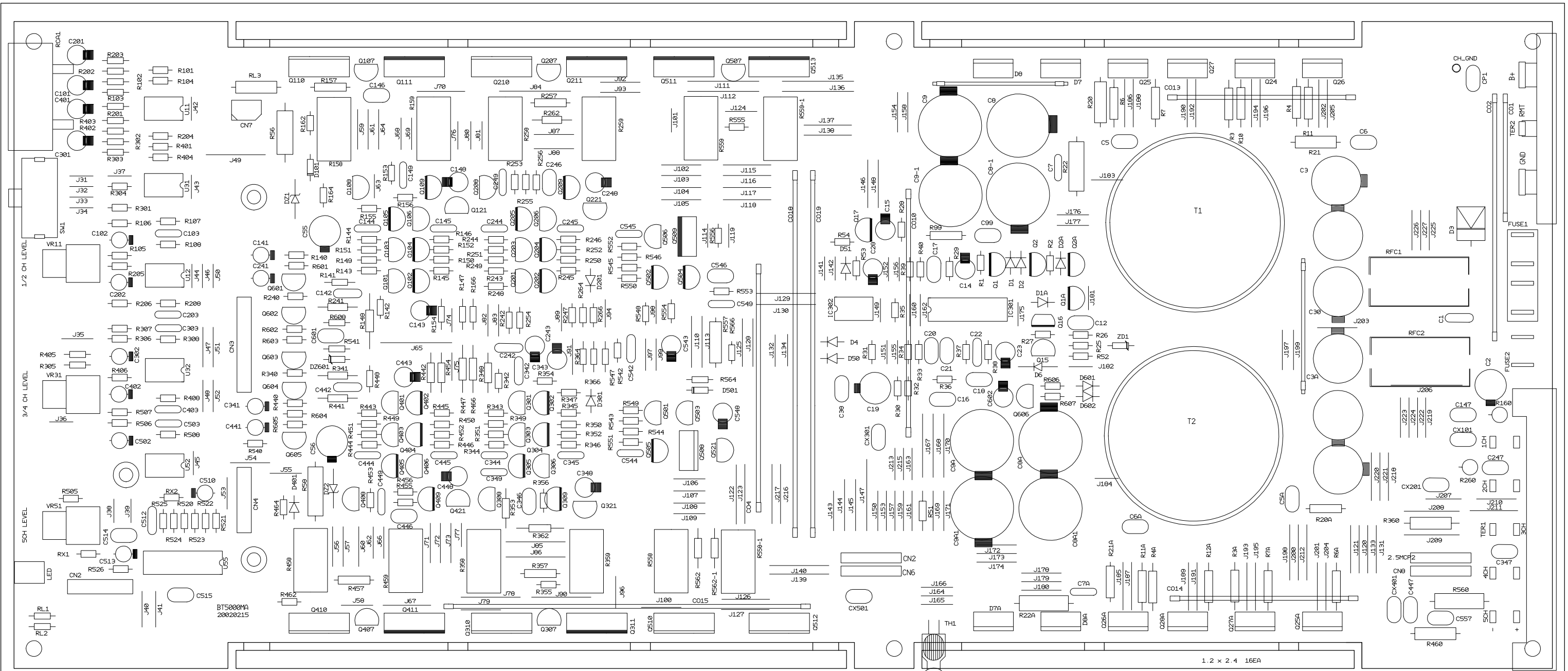


Schaltbild • Circuit diagram

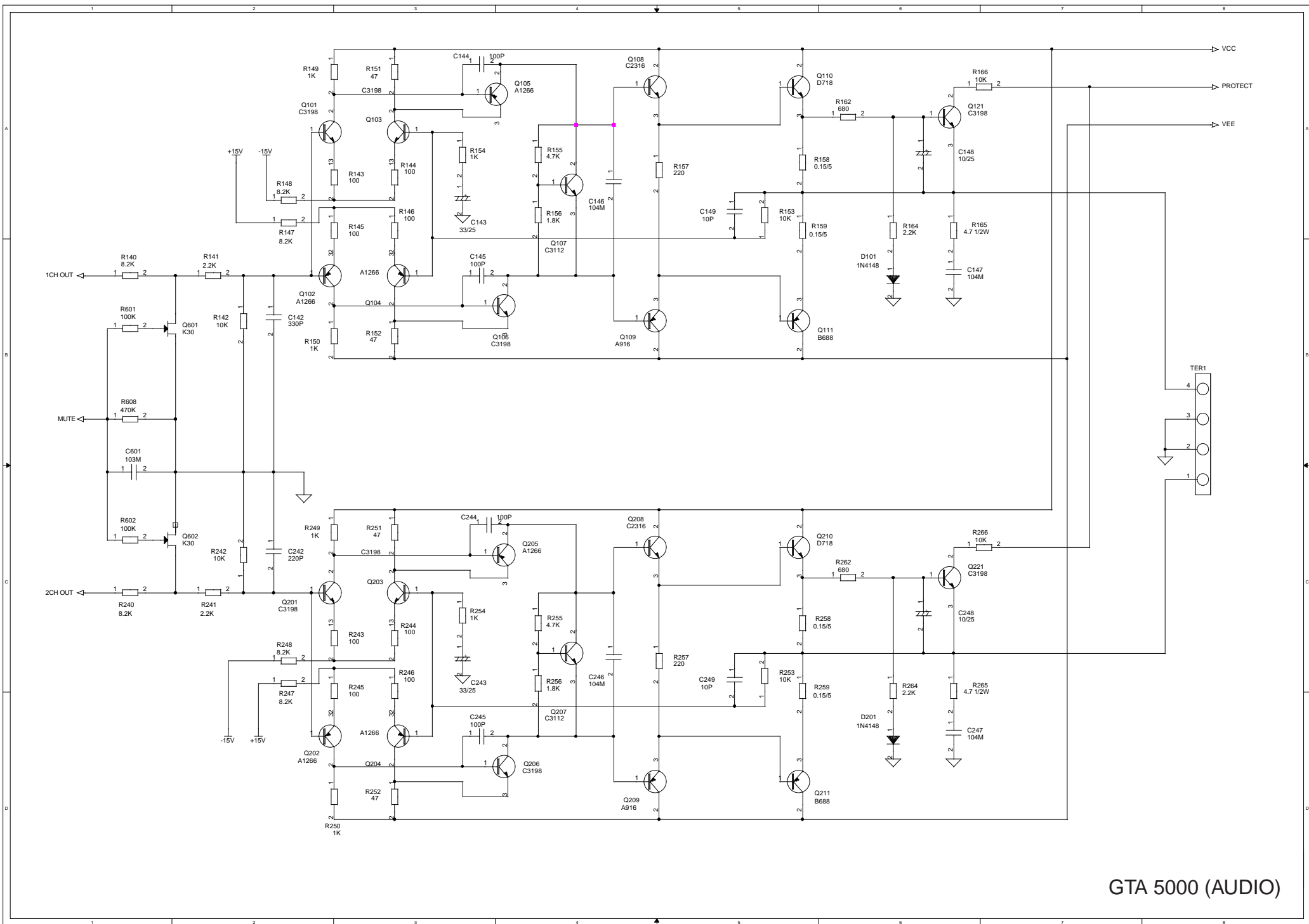
AMPLIFIER



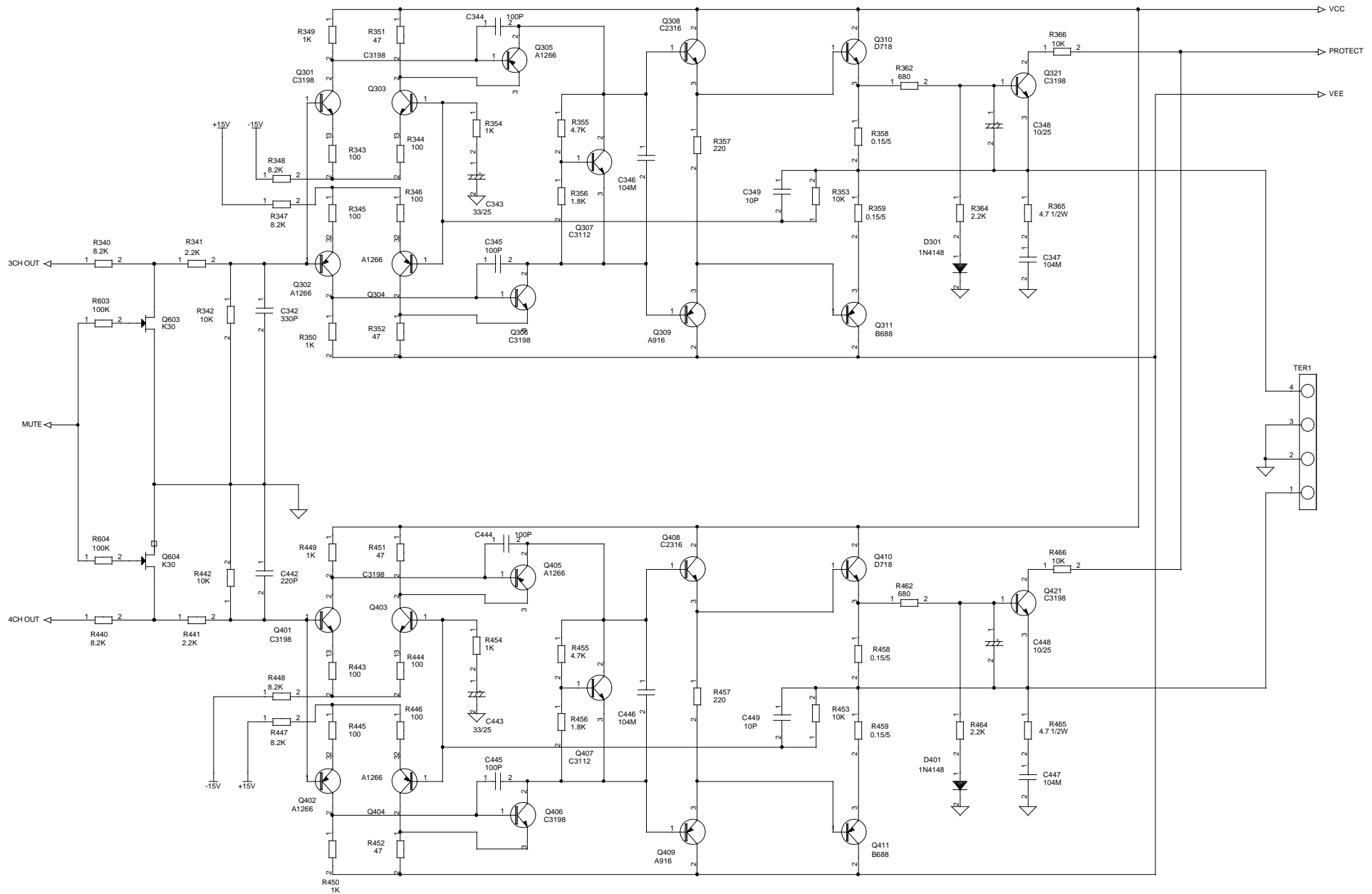
GTA 5000 PCB BOARD



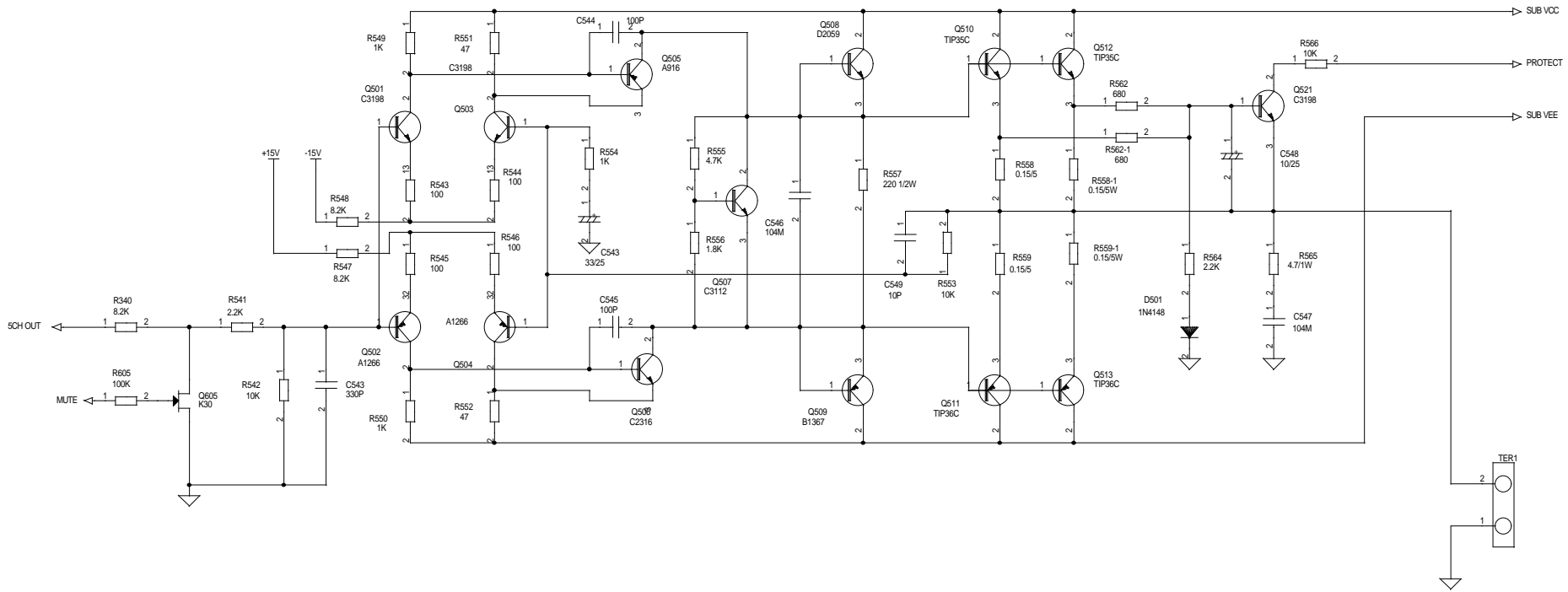
GTA 5000 PCB BOARD



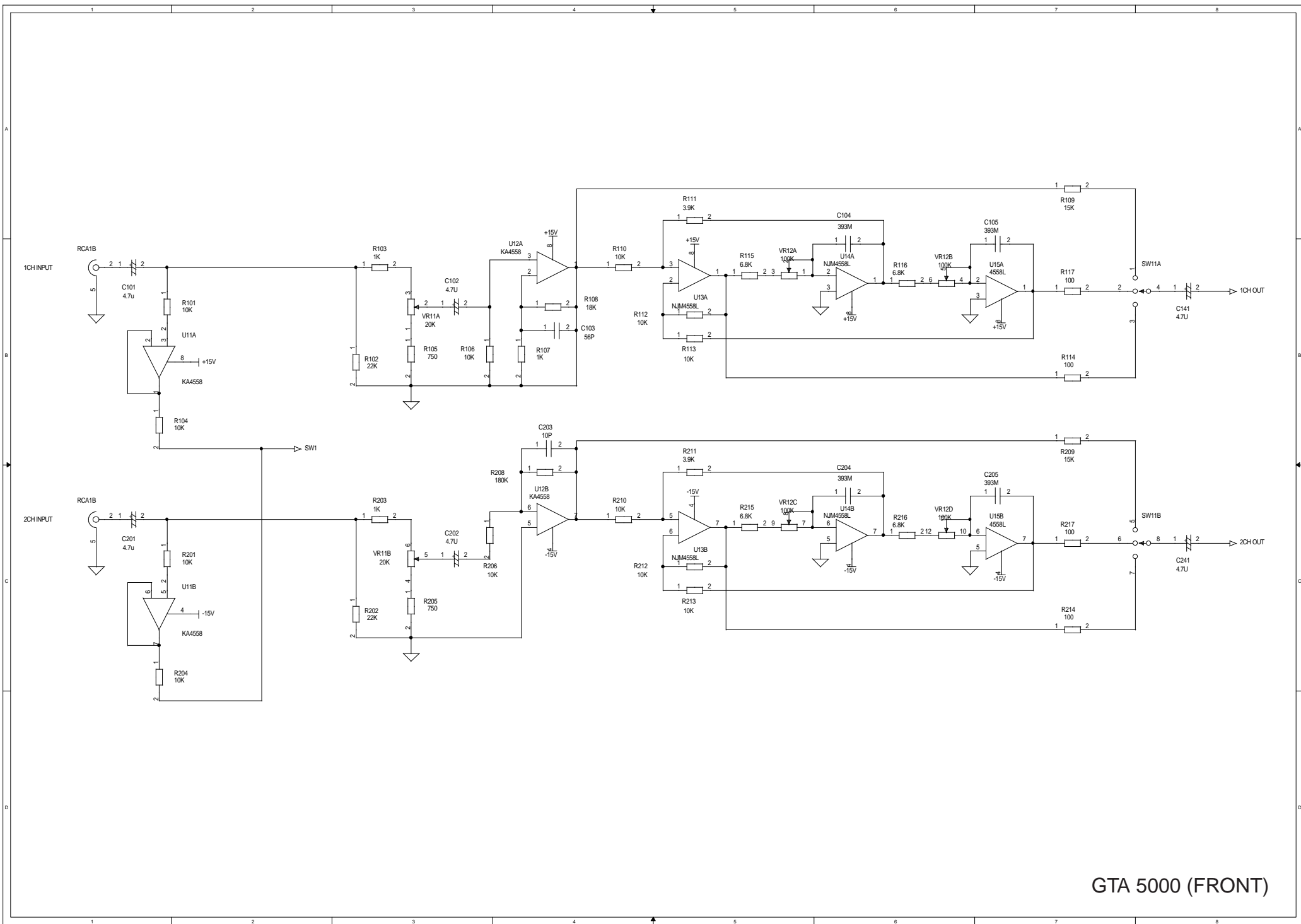
GTA 5000 (AUDIO)



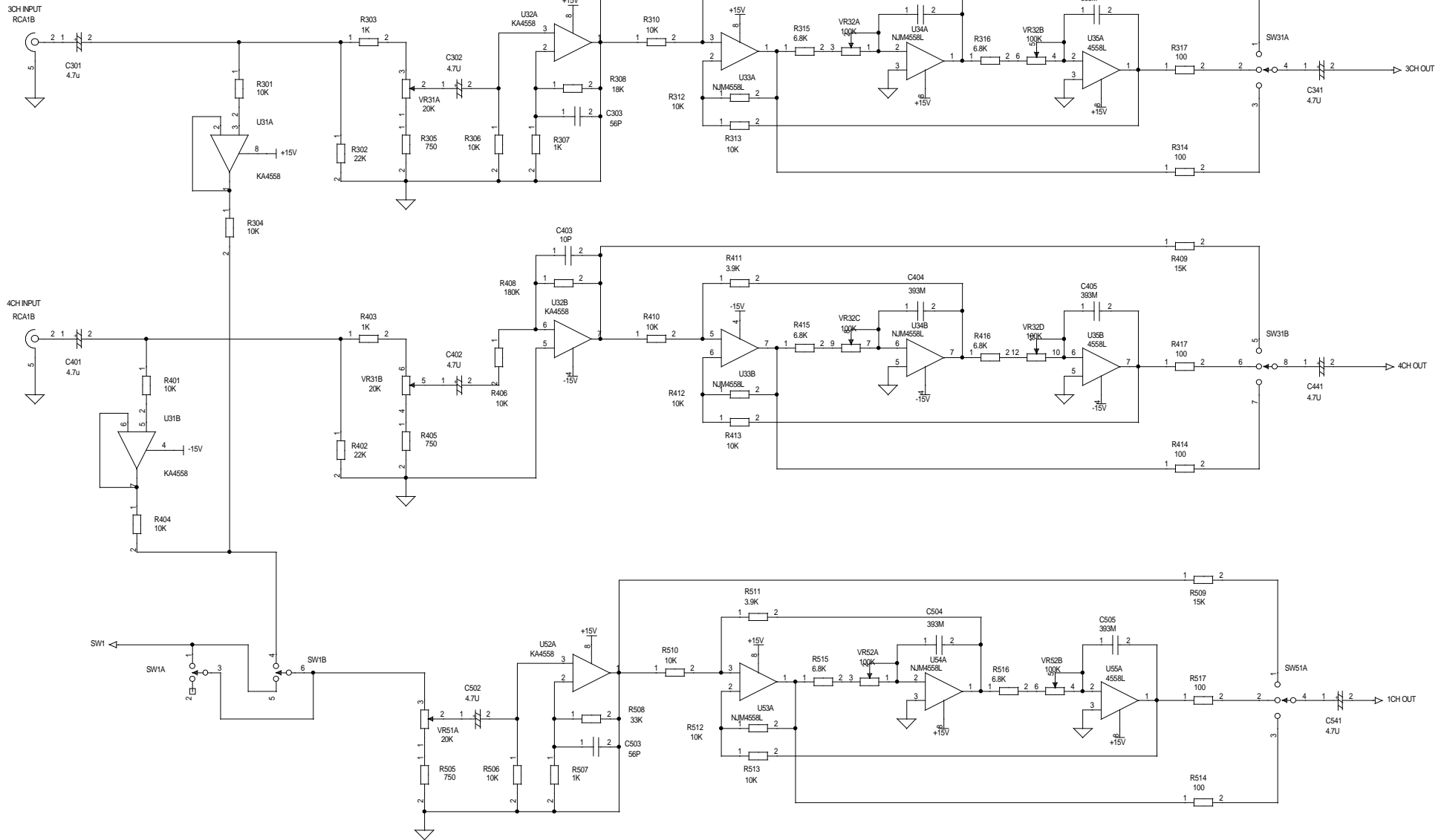
GTA 5000 (AUDIO)



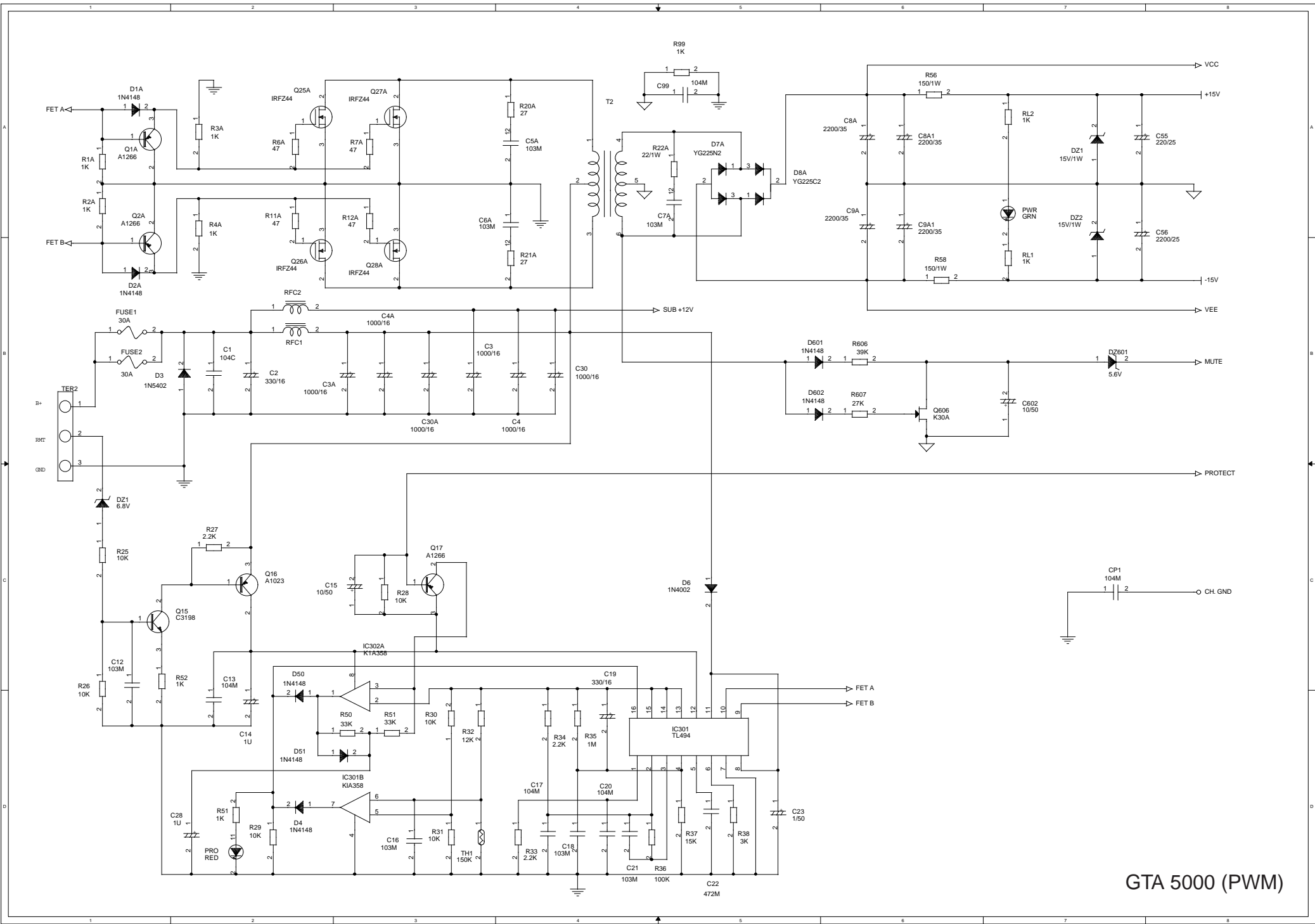
GTA 5000 (AUDIO)



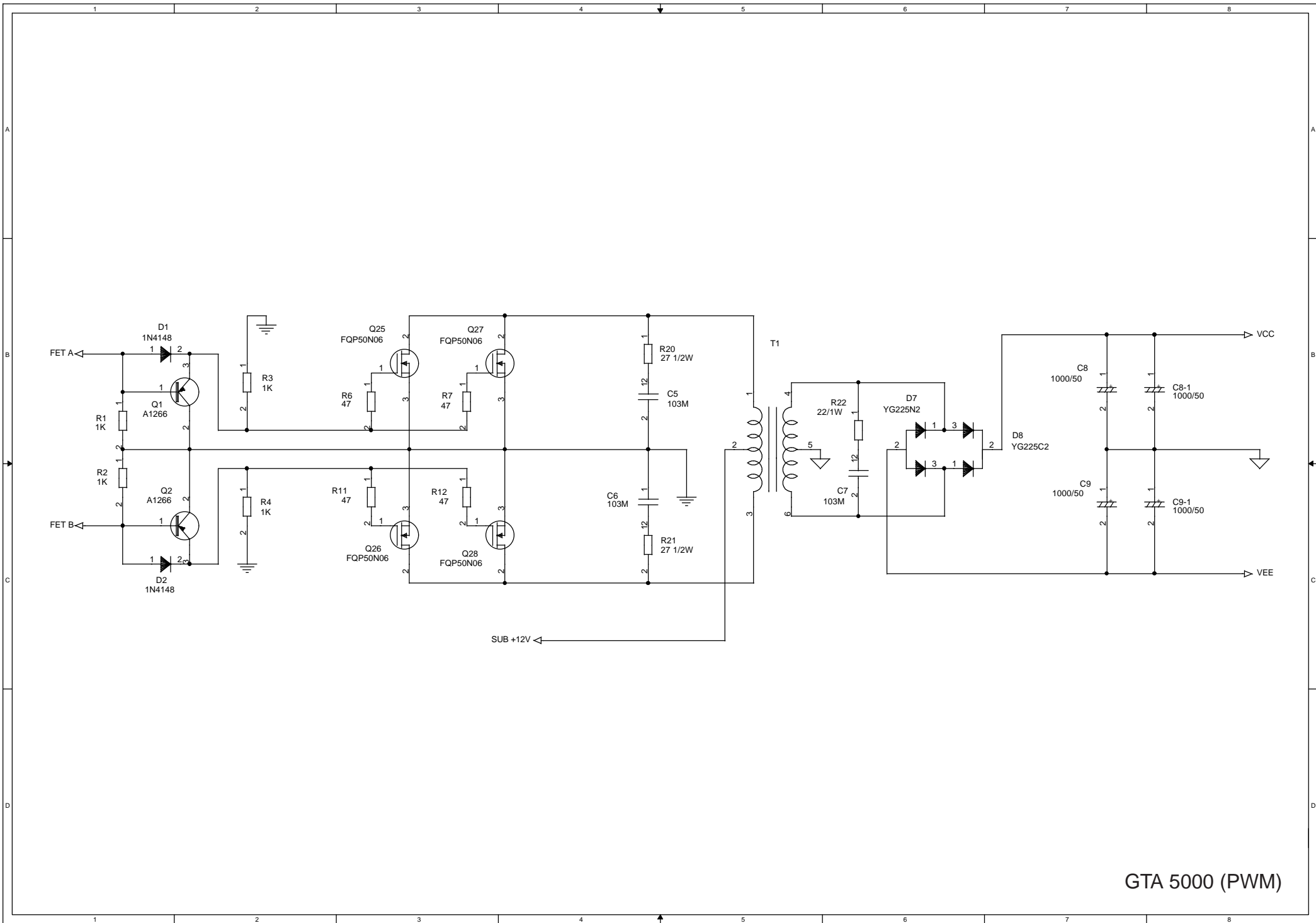
GTA 5000 (FRONT)



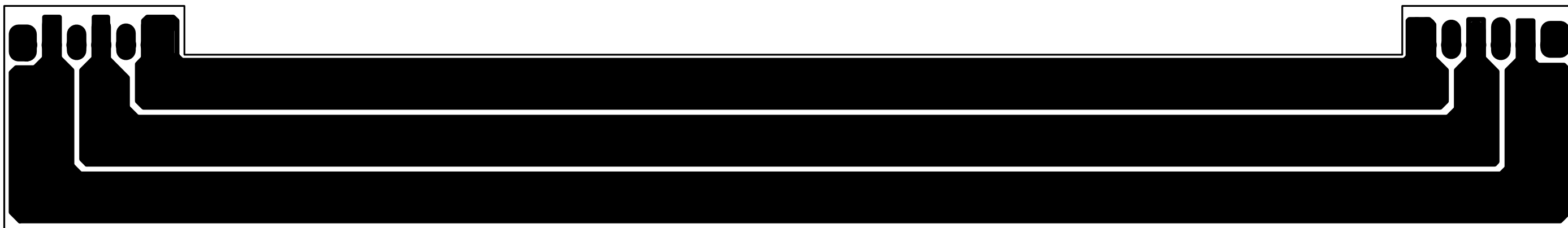
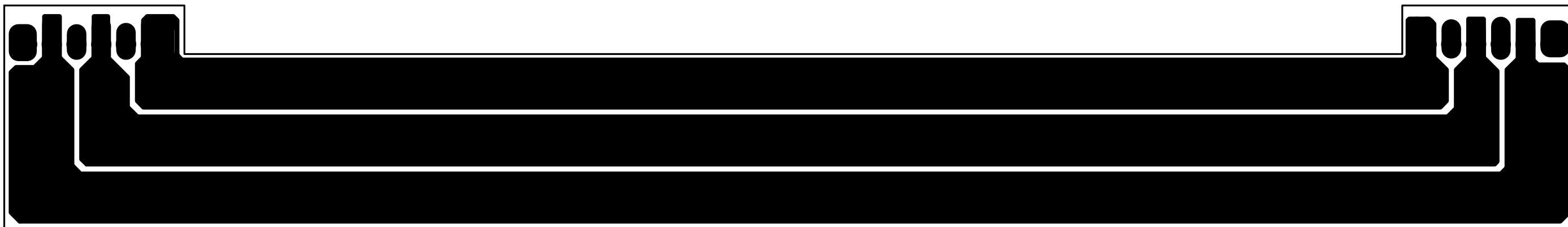
GTA 5000 (FRONT)



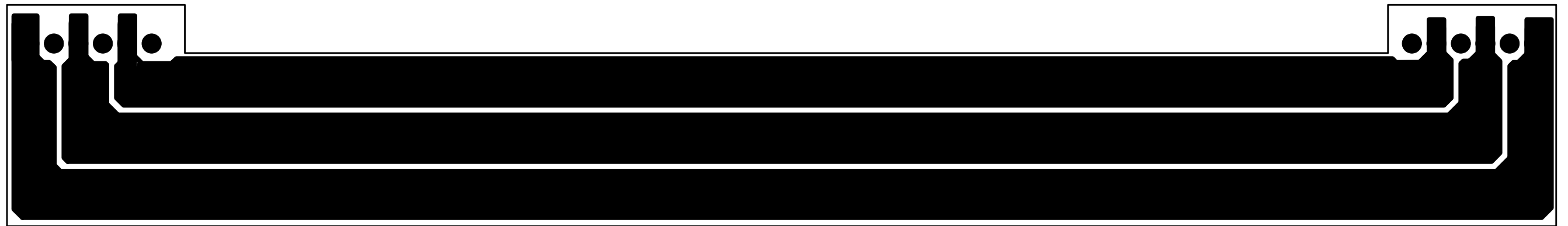
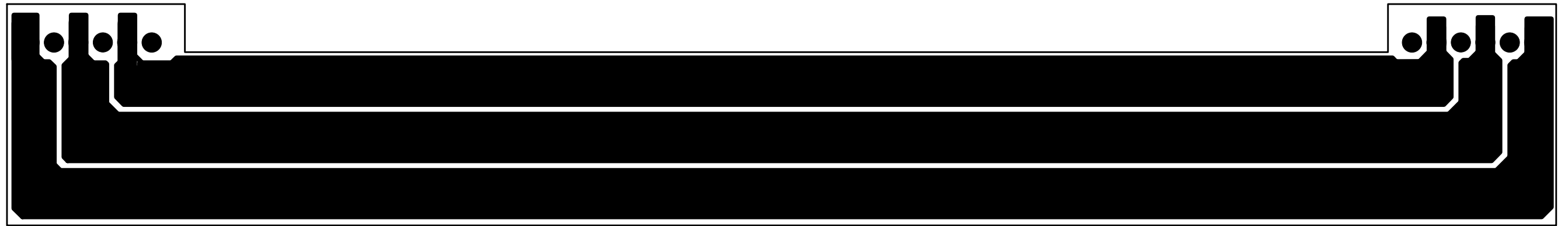
GTA 5000 (PWM)



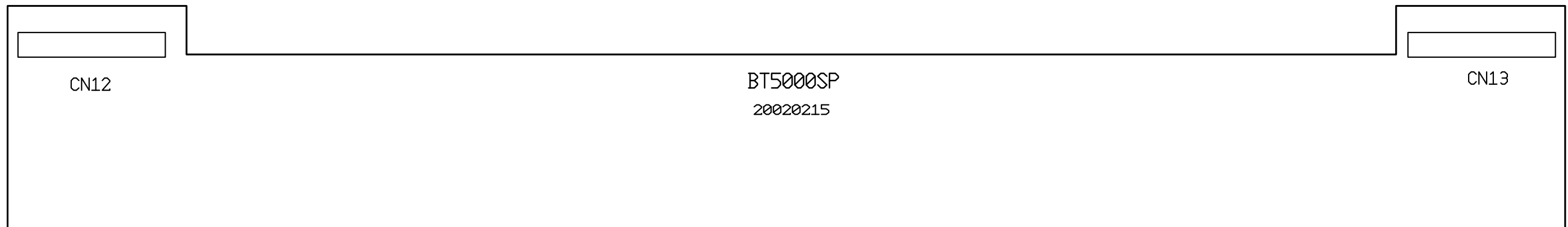
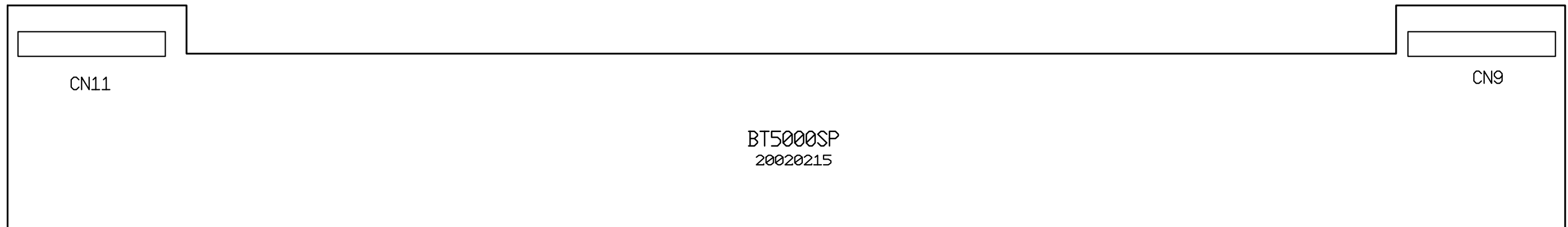
GTA 5000 (PWM)



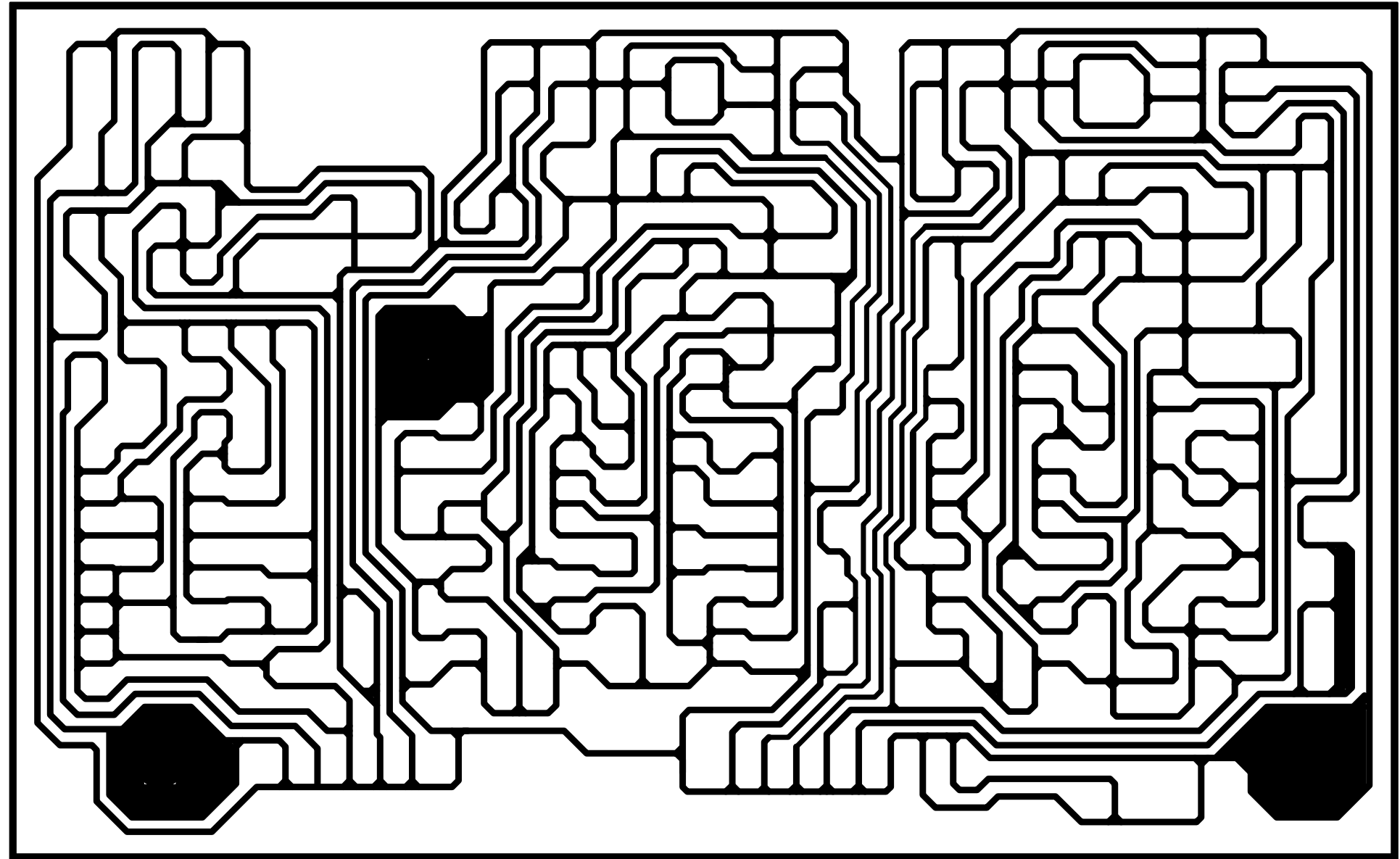
GTA 5000-SP PCB BOARD



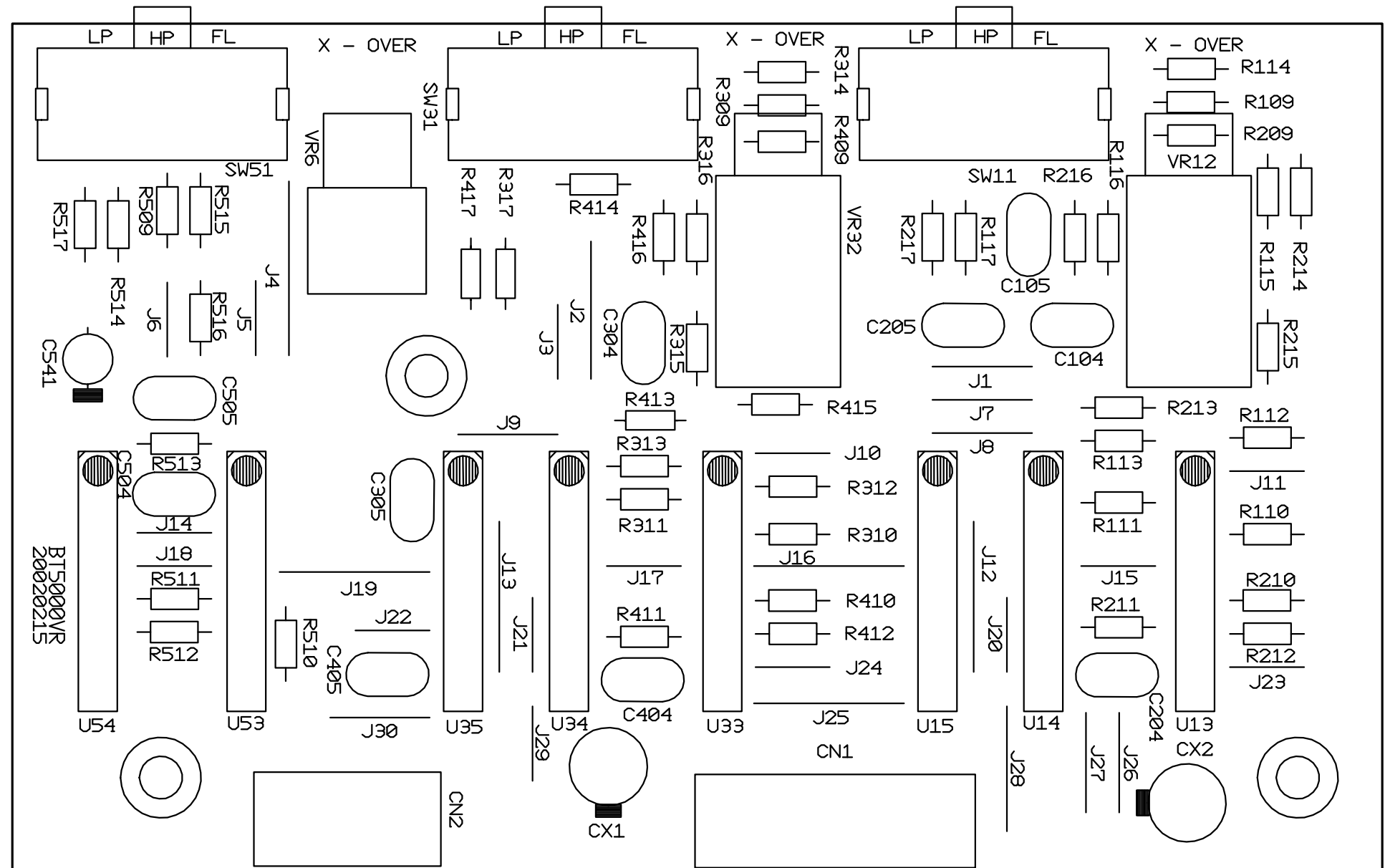
GTA 5000-SP PCB BOARD



GTA 5000-SP PCB BOARD



GTA 5000-VR PCB BOARD



GTA 5000-VR PCB BOARD