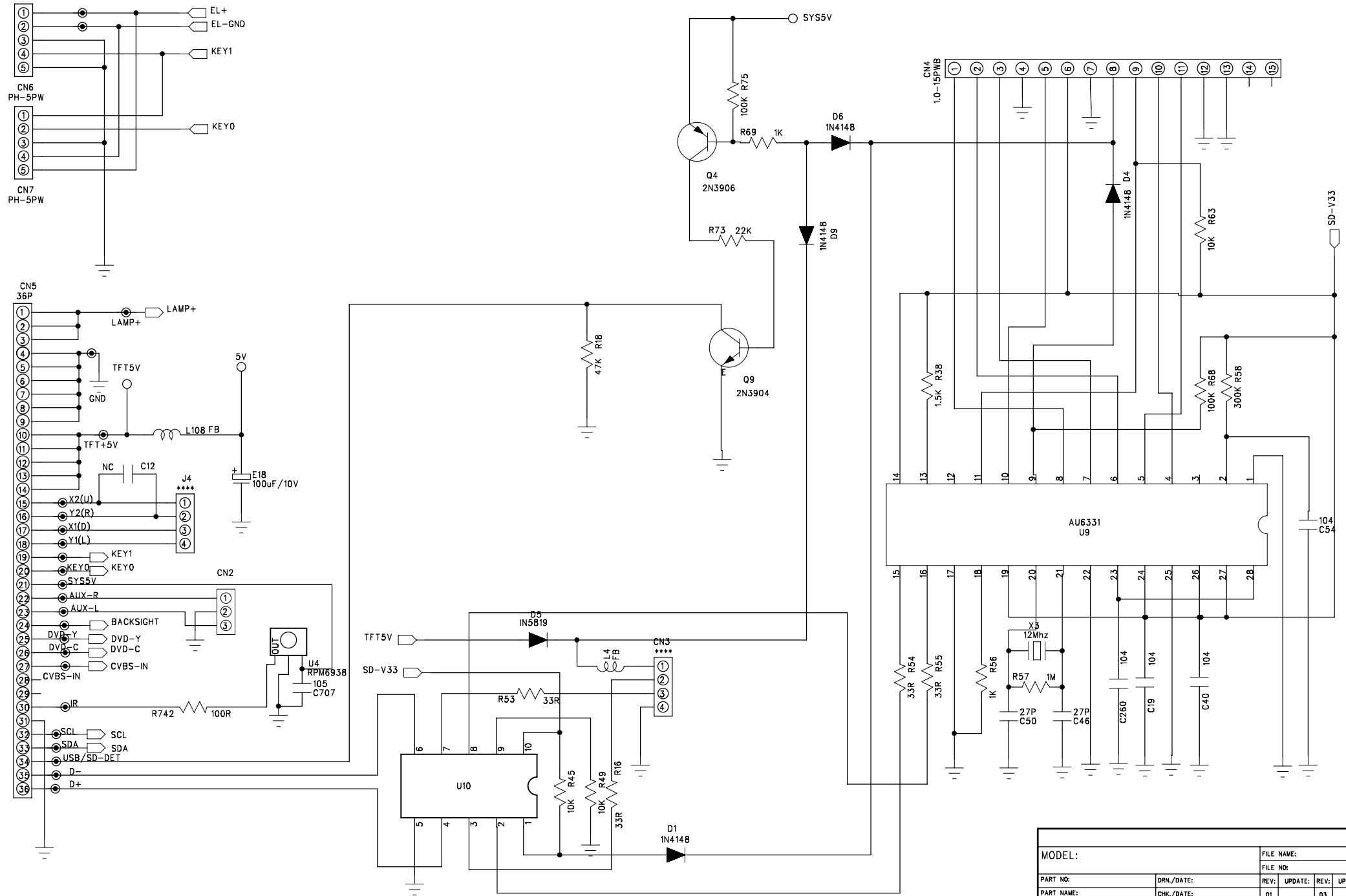
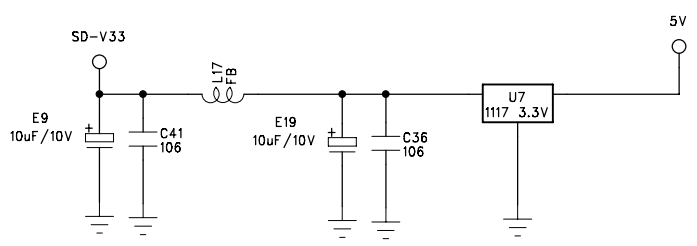
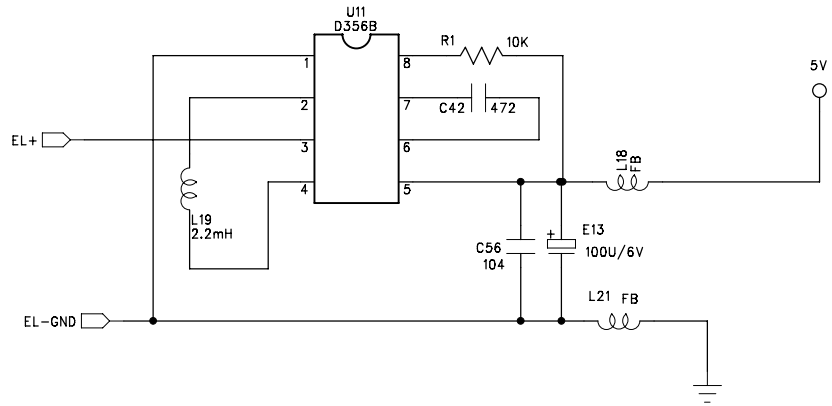
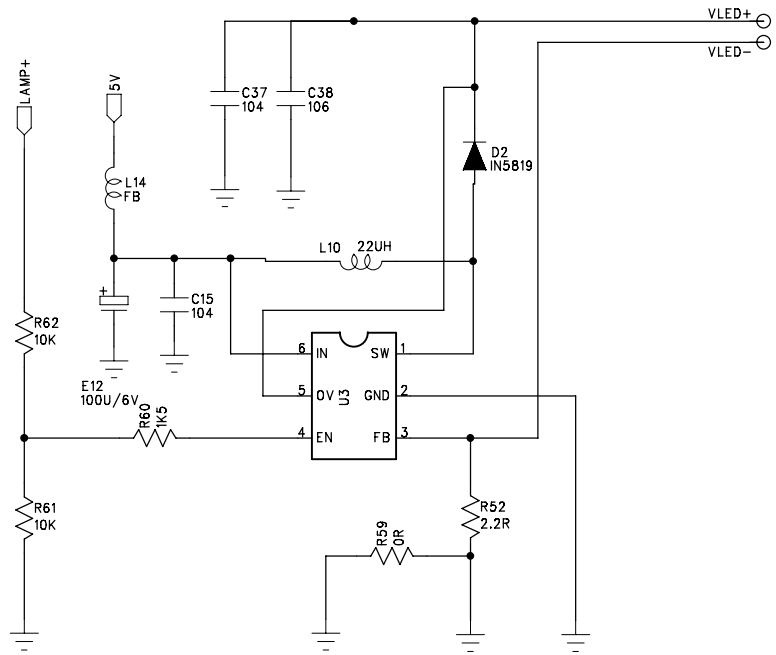


COMPANY: HAOKE			
CLIENT: SOLING		MODEL: SL-3508	
DRAWN:	CHECKED:	REV:	
SCALE:	DATED:	SHEET: OF	



MODEL:		FILE NAME:	
PART NO:		FILE NO:	
DRN./DATE:	REV:	UPDATE:	UPDATE:
CHK./DATE:	D1	D3	
APP./DATE:	D2	D4	



MODEL:		FILE NAME:			
		FILE NO:			
PART NO:	DRN./DATE:	REV:	UPDATE:	REV:	UPDATE:
PART NAME:	CHK./DATE:	D1		D3	
DRANG NO:	APP./DATE:	D2		D4	