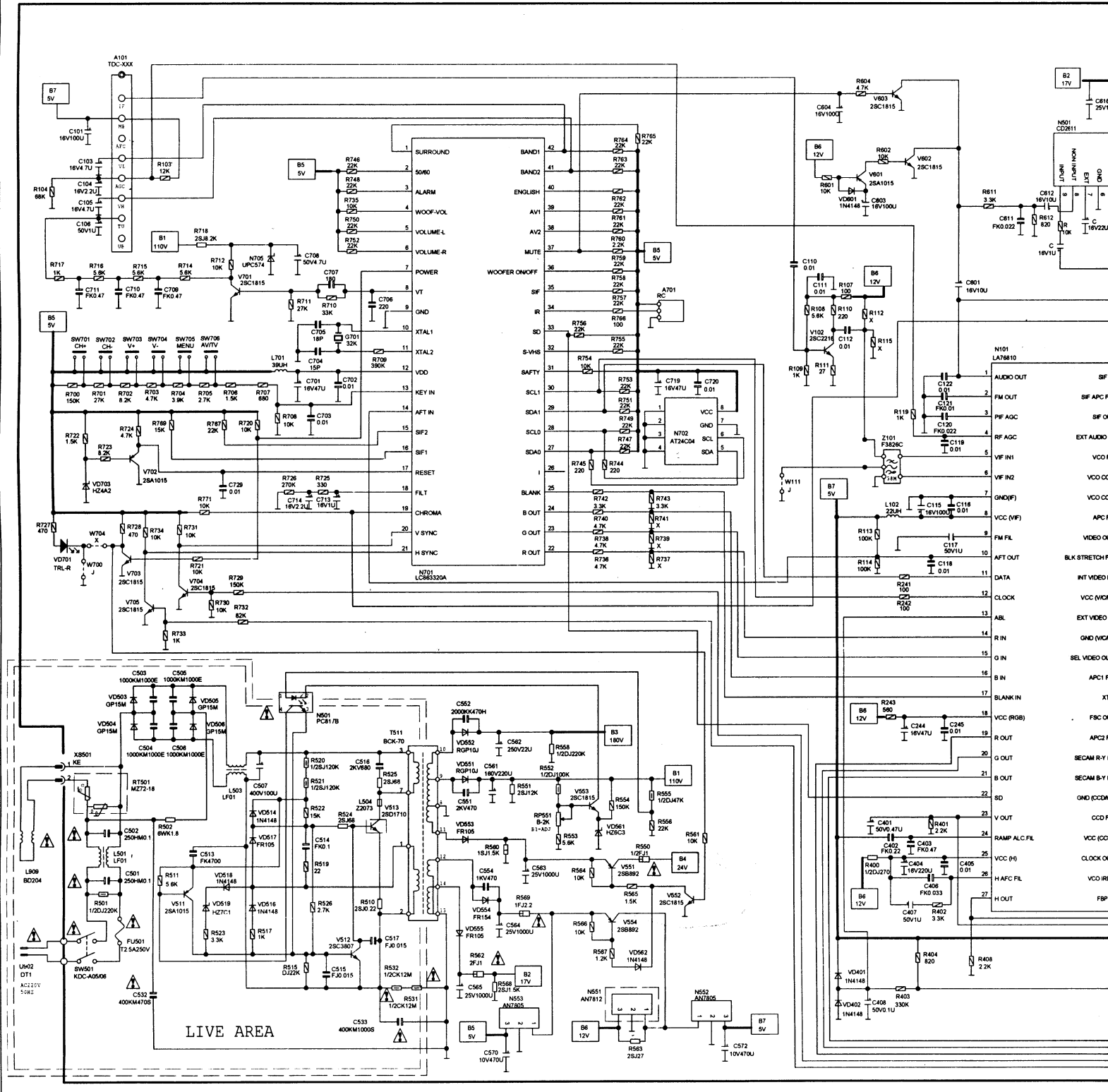
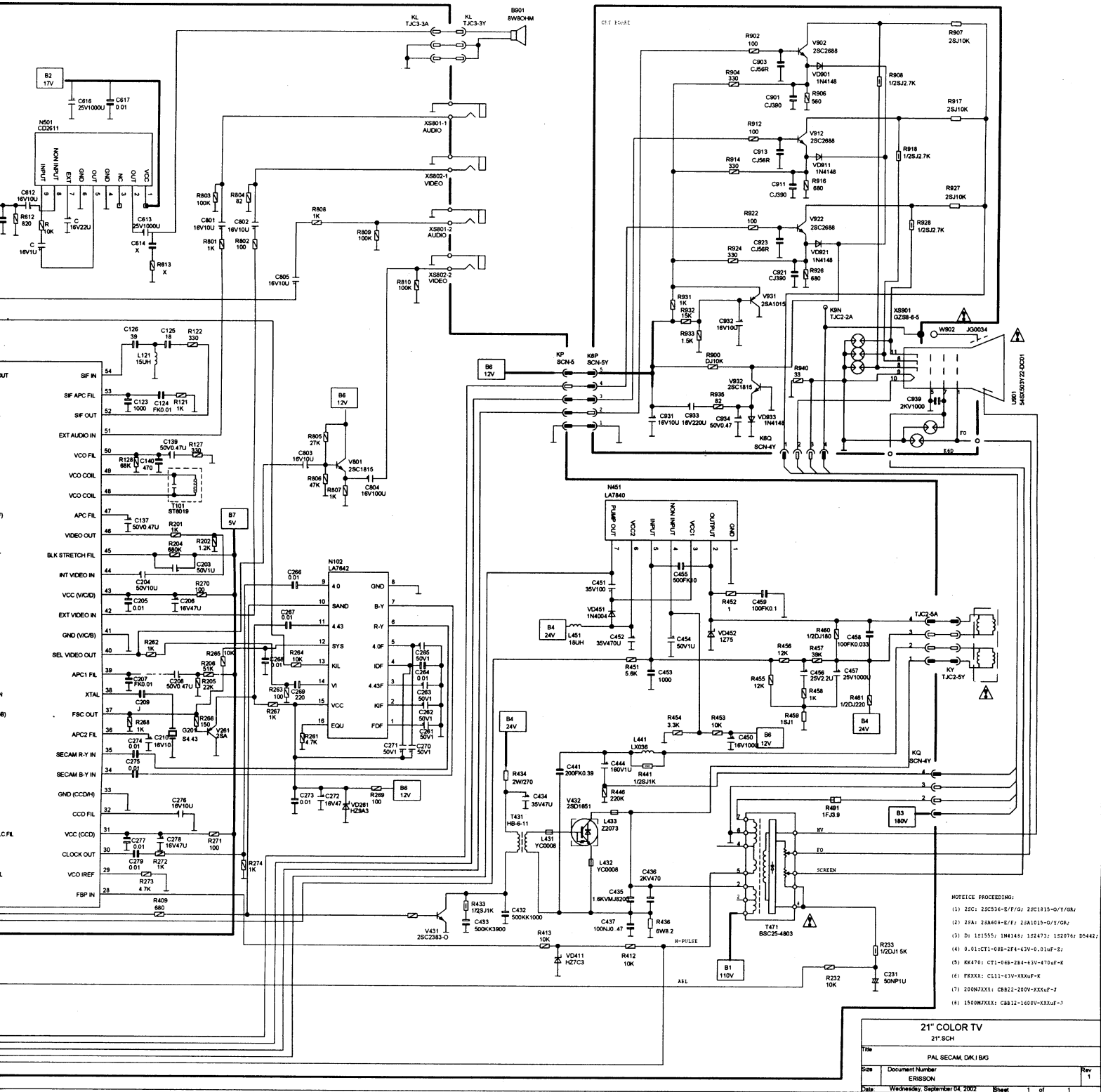


Further notice will not be given if some specifications change.
This circuit diagram is for reference only.





- NOTICE PROCEEDING:
- (1) 25C: 25C53E-D/F/G; 25C1815-D/F/G/K;
 - (2) 25A: 25A608-E/F; 25A1015-D/F/G/K;
 - (3) D: IS1555; 1N4148; 122473; 122475; D5442;
 - (4) 01: CT1-088-2F4-63V-0.01uF-2;
 - (5) KK4701: CT1-068-284-63V-470uF-K;
 - (6) FRXX: CL11-43V-XXXX-F-K;
 - (7) 200F7XXX: CB22-200V-XXXX-F-3;
 - (8) 1500F7XXX: CB12-1600V-XXXX-F-3