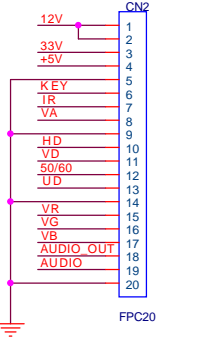
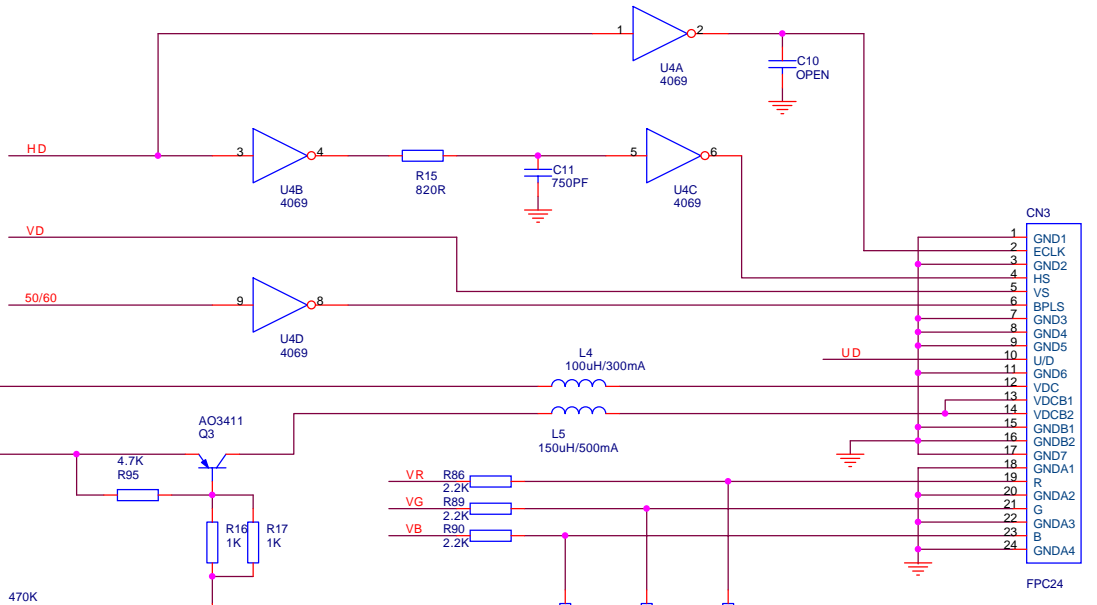
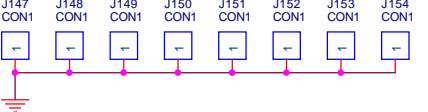
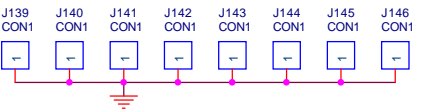
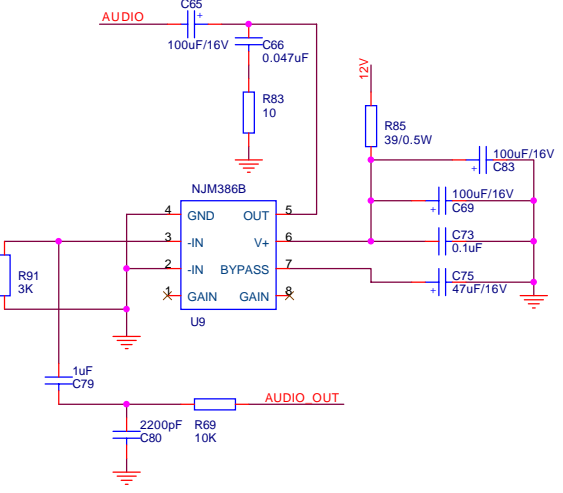
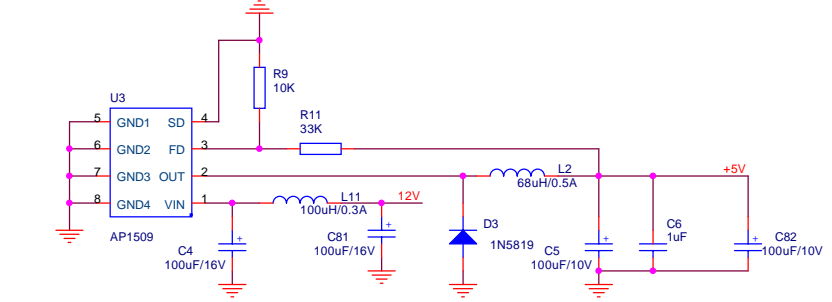
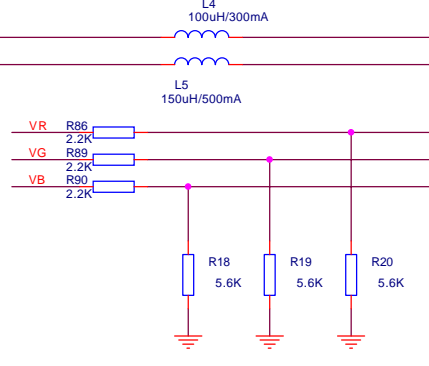
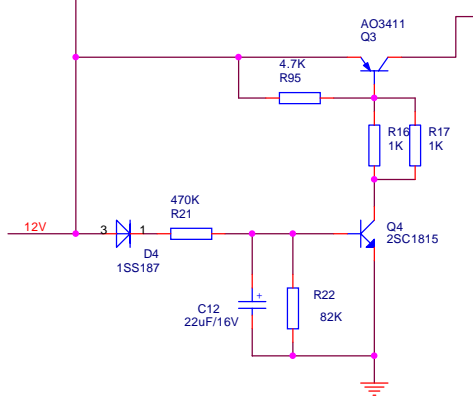
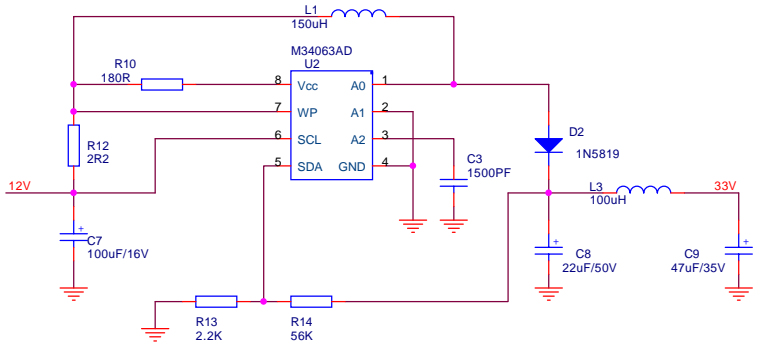
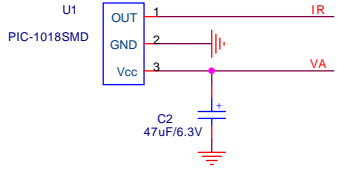
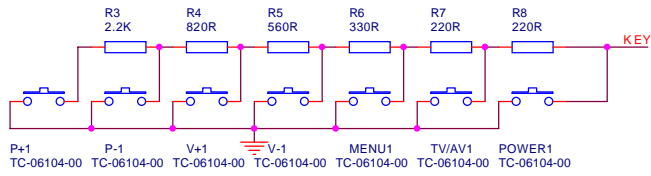
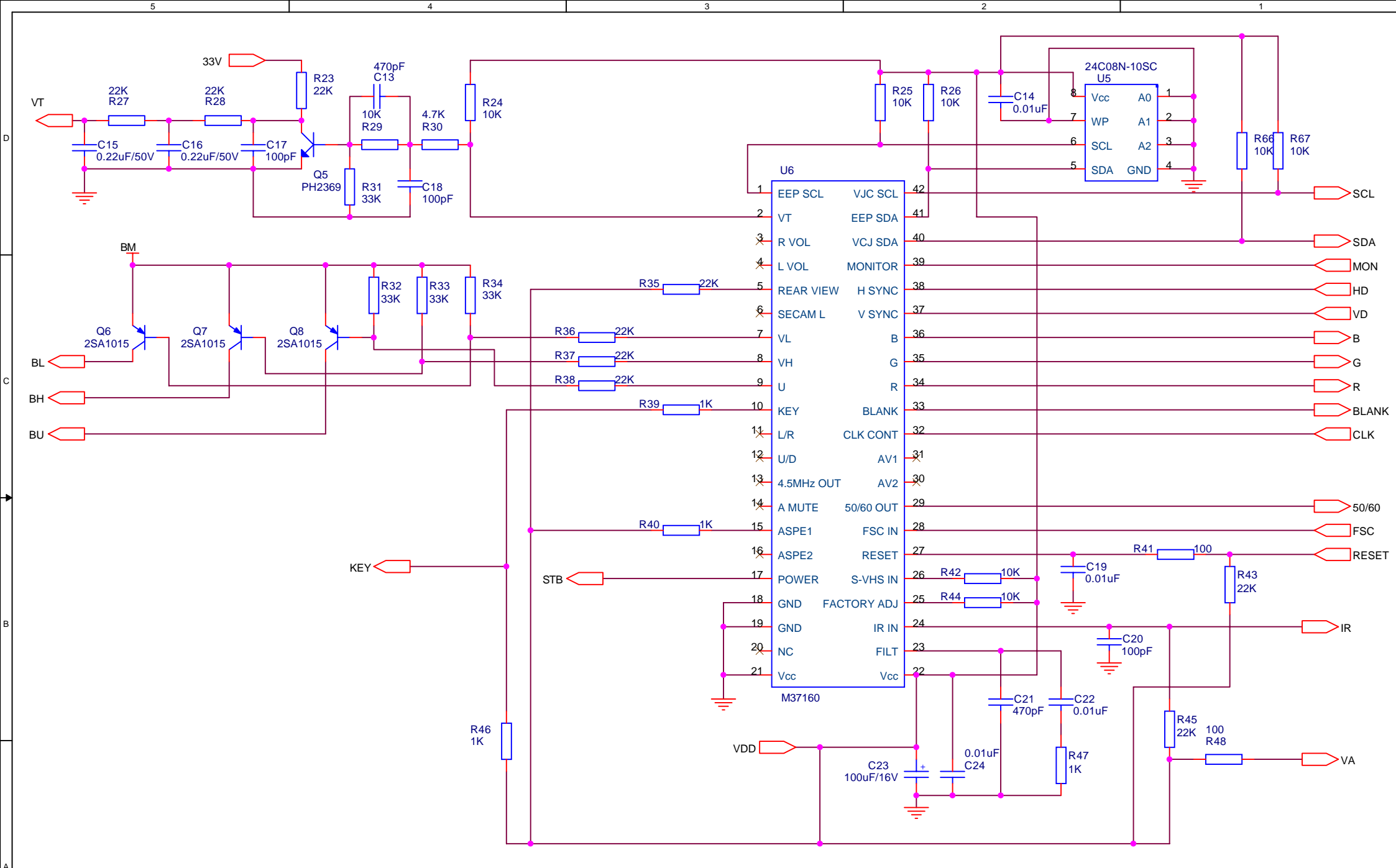


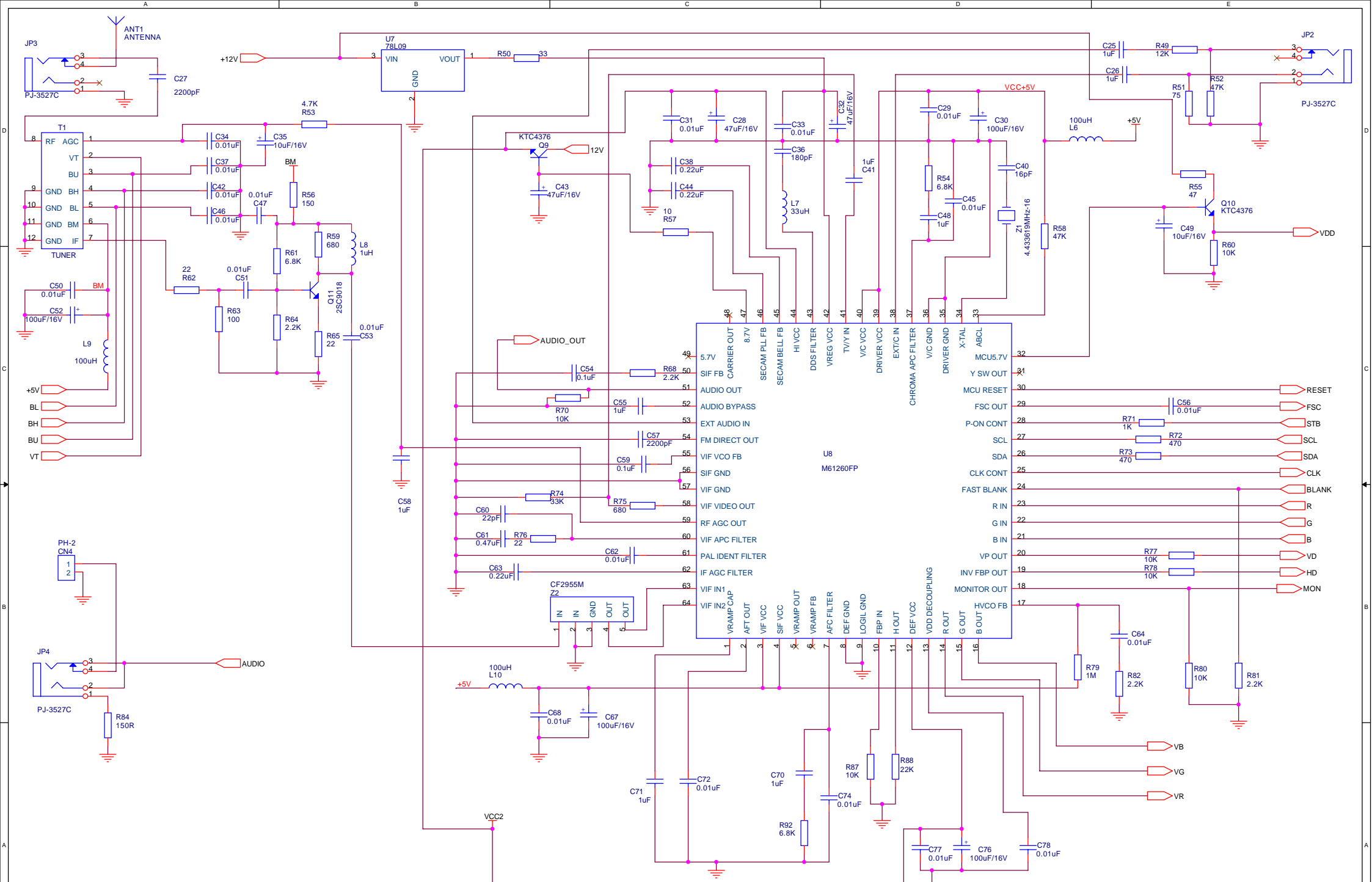
|       |                           |              |
|-------|---------------------------|--------------|
| File  |                           | CT-V60GM     |
| Size  | Document Number           | Rev          |
| A2    | <Doc>                     | <RevCode>    |
| Date: | Monday, February 20, 2006 | Sheet 1 of 5 |



|       |                             |                 |          |
|-------|-----------------------------|-----------------|----------|
| Title |                             |                 | CT-V609M |
| Size  | A3                          | Document Number | <Doc>    |
| Date: | Thursday, February 23, 2006 | Sheet           | 2 of 5   |



|          |                           |              |
|----------|---------------------------|--------------|
| Title    |                           |              |
| CT-V609M |                           |              |
| Size     | Document Number           | Rev          |
| A4       | <Doc>                     | <Rev>        |
| Date:    | Monday, February 20, 2006 | Sheet 4 of 5 |



|       |                             |                 |           |
|-------|-----------------------------|-----------------|-----------|
| Title | CT-V609M                    |                 |           |
| Size  | A3                          | Document Number | <Doc>     |
| Date: | Thursday, February 23, 2006 | Sheet           | 5 of 5    |
|       |                             | Rev             | <RevCode> |