

P02_02S

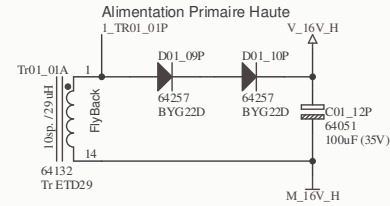
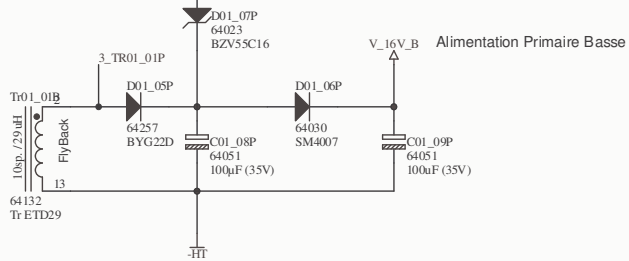
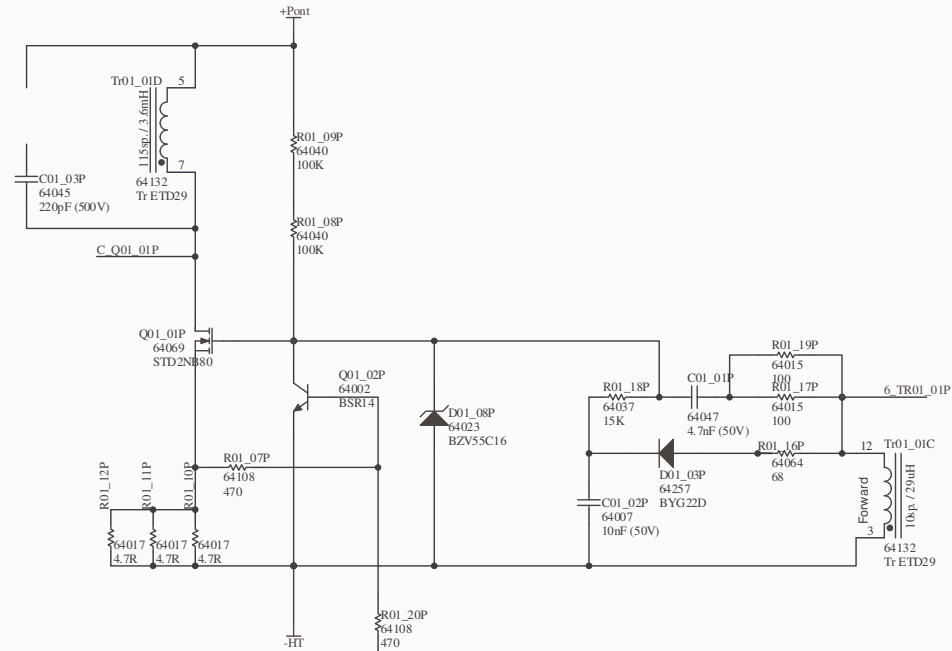
P02_01S

JPO2_11T R02_11T C02_11T

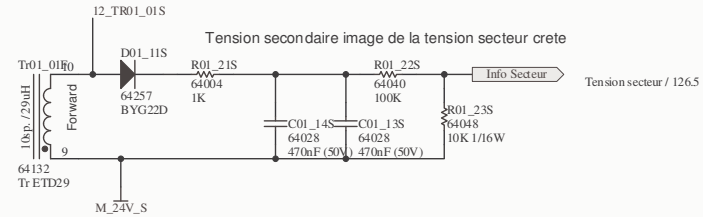
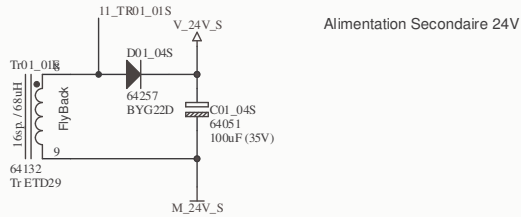
Terre_00



Primaire

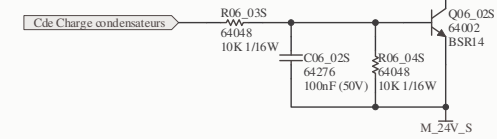


Secondaire

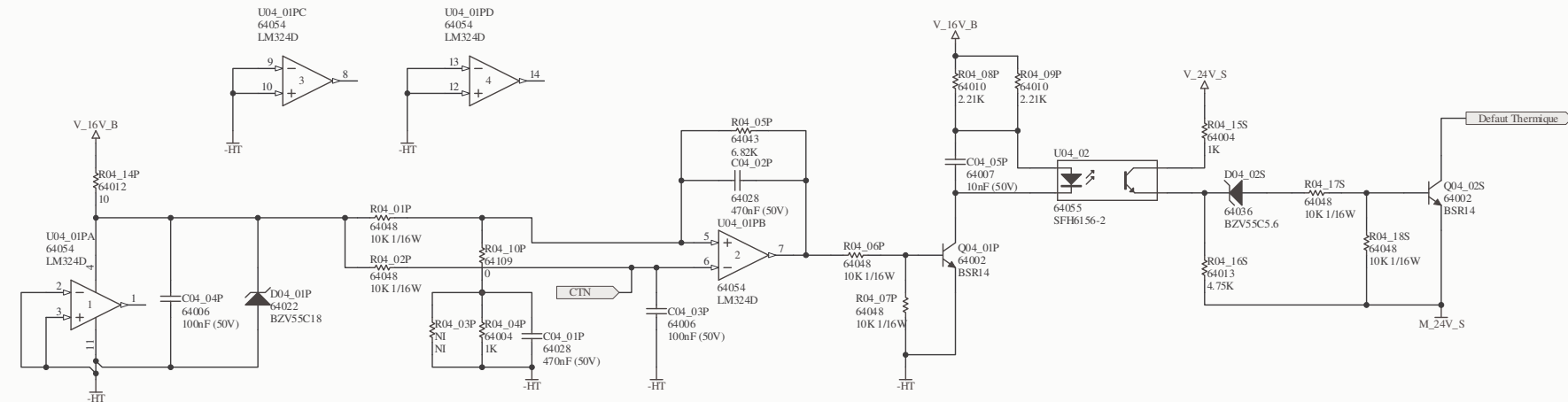
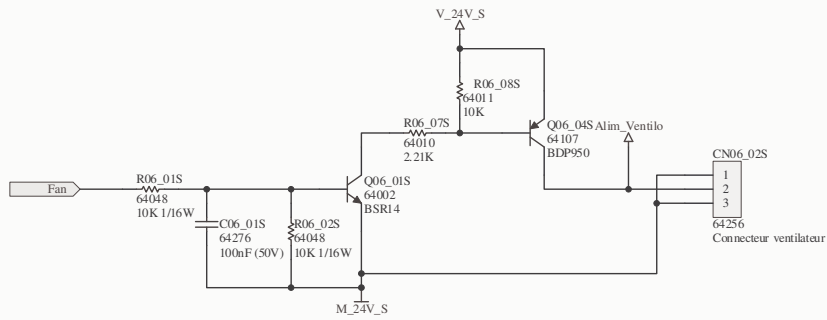
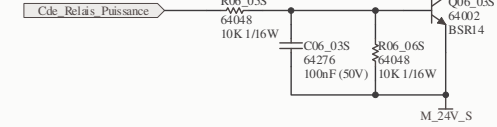


Title PCB GYSMI 161			GYS SA	Cannot open file
Size: A3	Number: 97037	Revision: In d4,4	134, bd des loges	\\Data\gysmi\PROTEL_
Date: 18/10/2006	Time:	Sheet 2 of 6	53941 Saint BERTHEVIN	LIBRARY\Templates\lo
File: O:\nma\Gysmi161\Arret de fabrication\Ind4.4\PCB (fichiers PROTEL uniquement)\PCB Carte Puissance\Alim auto oscil			FRANCE	ame_183LC

Connecteur



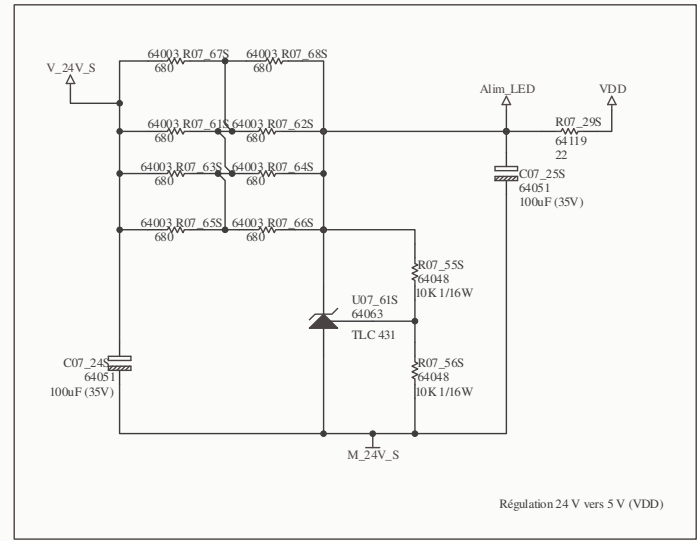
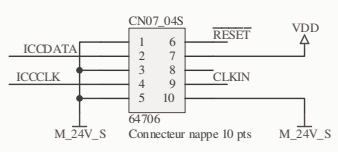
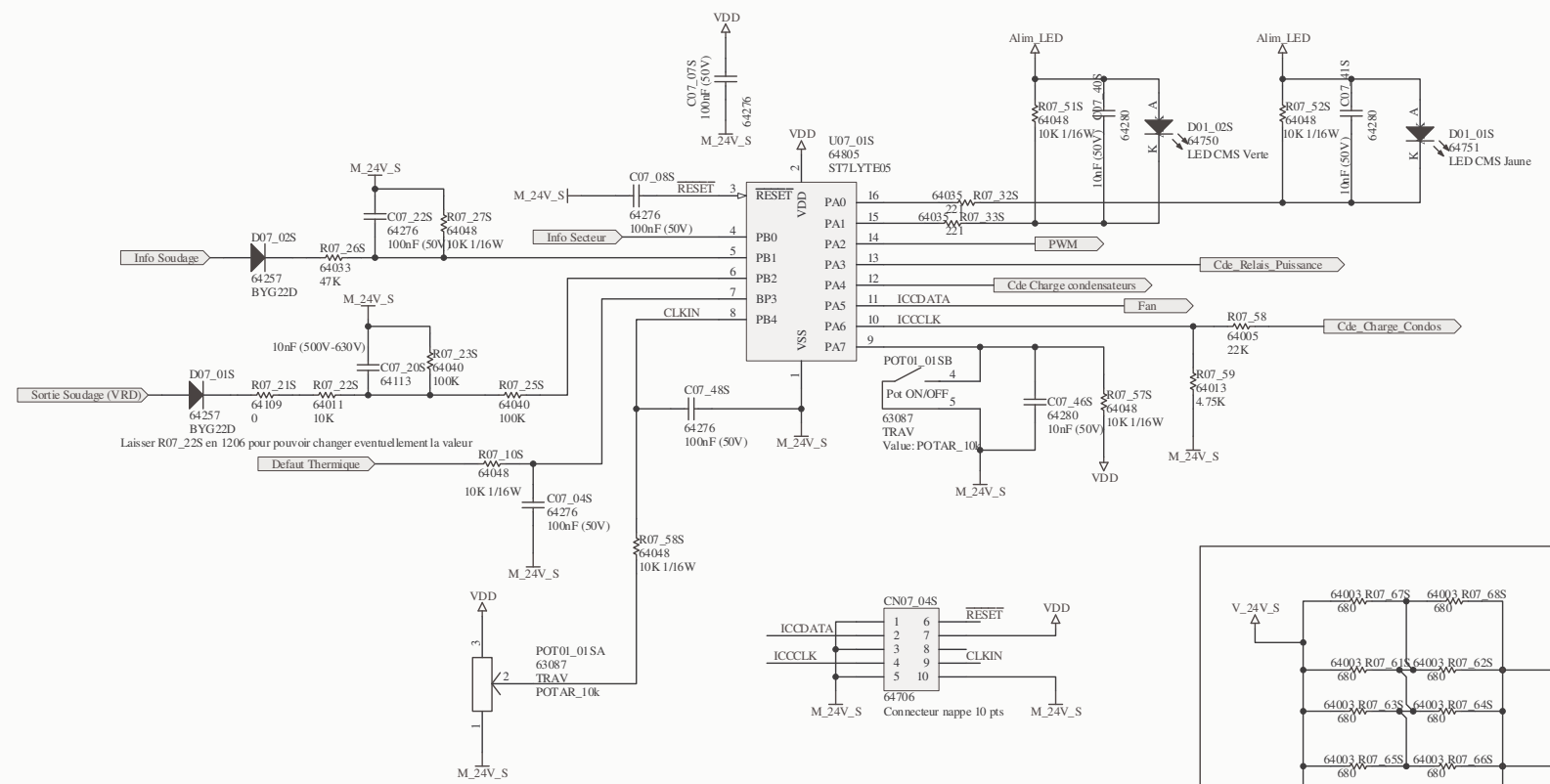
Connecteur

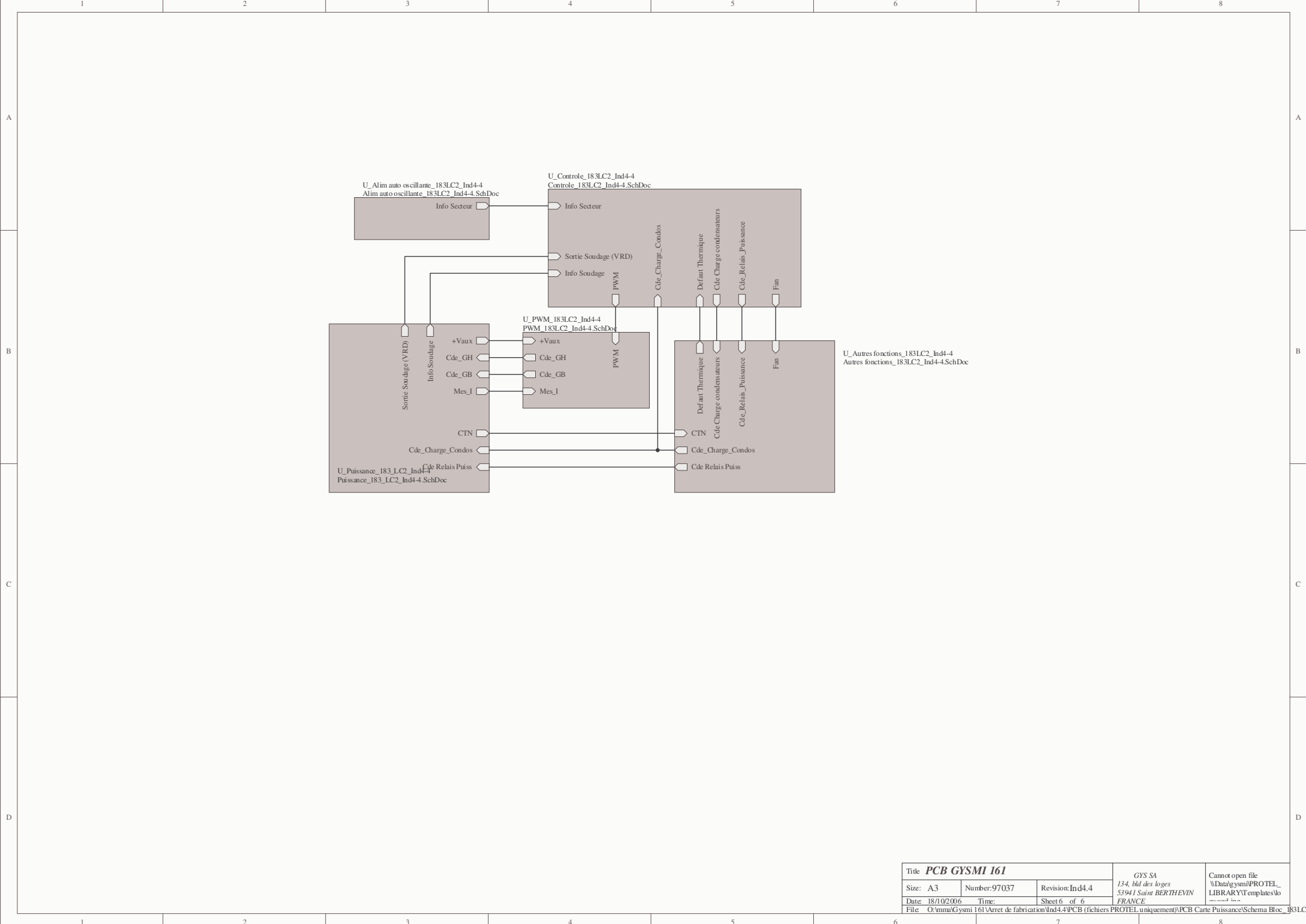


Title PCB GYSMI 161			GYS SA	Cannot open file \\Data\gysmi\PROTEL_... LIBRARY\T emplates\lo... ...
Size: A3	Number: 97037	Revision: In d4,4	134, bd des loges	
Date: 18/10/2006	Time:	Sheet 5 of 6	5394 I Saint BERTHEVIN	
File: O:\nma\Gysmi 161\Arret de fabrication\Ind4.4\PCB (fichiers PROTEL uniquement)\PCB Carte Puissance\Autres fonctions_183.LC2_...			FRANCE	

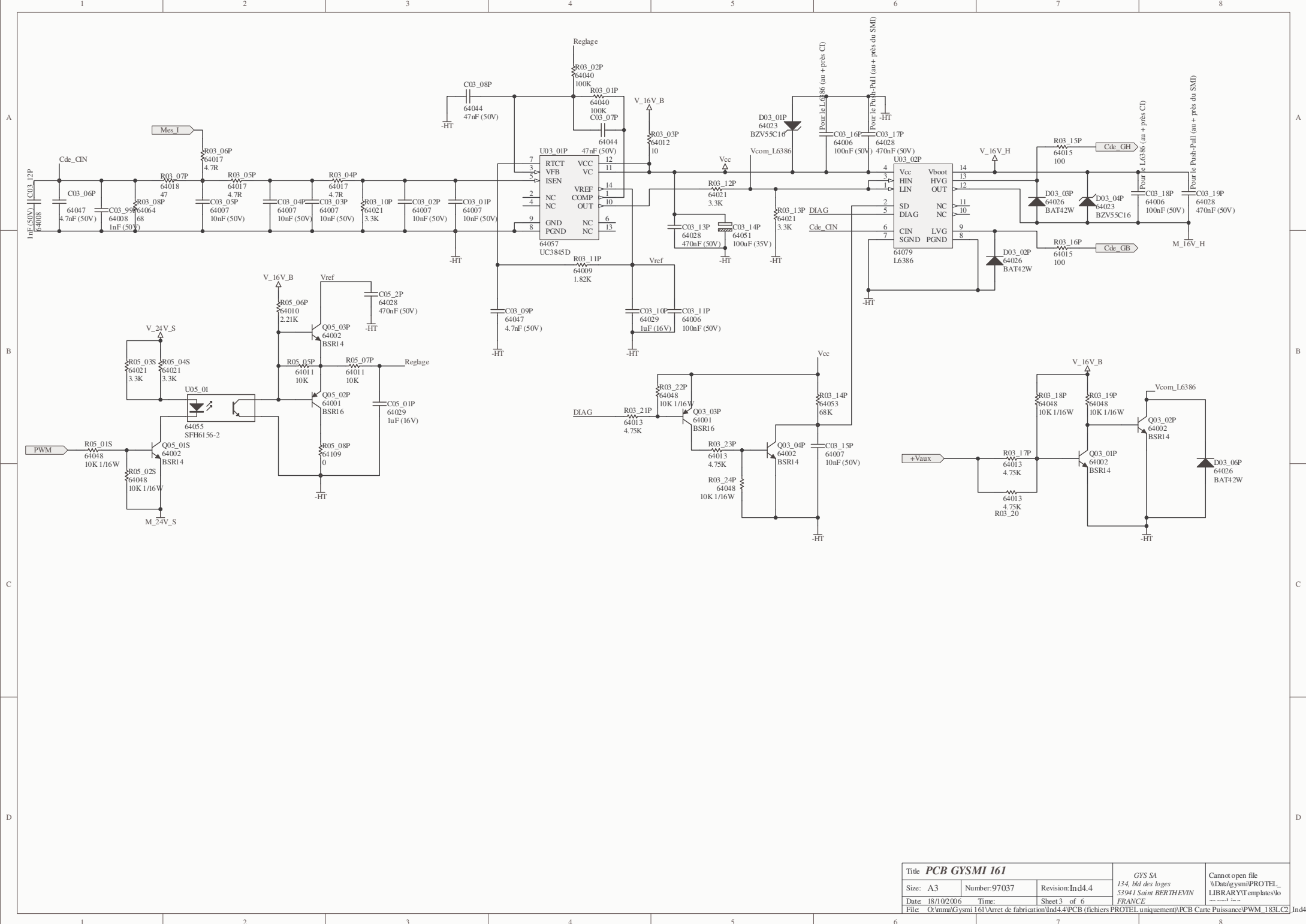
Info_Secteur = Vsecteur max / 2.5
 Info_Soudage = Vmoy_soudage x 4.474
 Sortie Soudage = U sortie x 0.9
 Sortie Soudage = 6.15 mA x Rsortie => si 1k nous > 6V
 Sortie Soudage = 0.16 x Rsortie

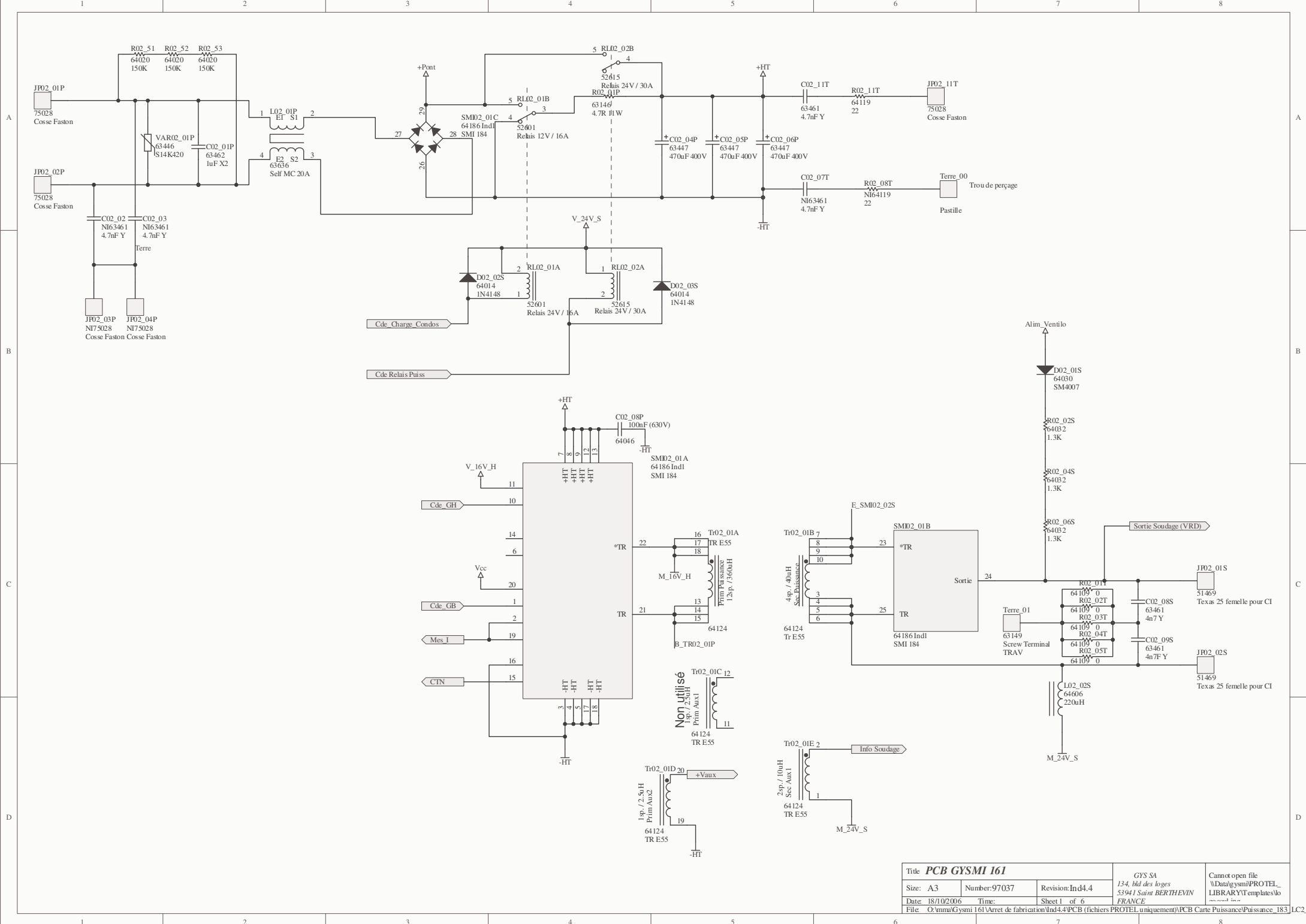
Potentiel patte 1 (UC3845) = Is / 120 + 1.4
 Si 0 A => Patte 1 = 1.4
 Si 50 A => Patte 1 = 1.8
 Si 100 A => Patte 1 = 2.2
 Si 160 A => Patte 1 = 2.73





Title PCB GYSMI 161			GYS SA 134, bd des loges 53941 Saint BERTHEVIN FRANCE	Cannot open file \\Data\gysmi\PROTEL_ LIBRARY\Templates\lo ...
Size: A3	Number: 97037	Revision: Ind4,4		
Date: 18/10/2006	Time:	Sheet 6 of 6		
File: O:\nma\Gysmi 161\Arret de fabrication\Ind4.4\PCB (fichiers PROTEL uniquement)\PCB Carte Puissance\Schema Bloc_183LC2_Ind4				





Title PCB GYSMI 161			GYS SA 134, bd des loges 53941 Saint BERTHEVIN FRANCE		Cannot open file \\Data\gysmi\PROTEL_... LIBRARY\T\emplates\lo...
Size: A3	Number: 97037	Revision: In d4.4			
Date: 18/10/2006	Time:	Sheet 1 of 6			
File: O:\nma\Gysmi 161\Arret de fabrication\Ind4.4\PCB (fichiers PROTEL uniquement)\PCB Carte Puissance\Puissance_183.LC2.Ind4.4					

GYSMI 161 – Electronics Bill of Material

Designator	Comment	Value	Quantity
C01_01P	64007	10nF (50V)	1
C01_02P	64007	10nF (50V)	1
C01_03P	64045	220pF (500V)	1
C01_04S	64051	100uF (35V)	1
C01_08P	64051	100µF (35V)	1
C01_09P	64051	100uF (35V)	1
C01_12P	64051	100uF (35V)	1
C01_13S	64028	470nF (50V)	1
C01_14S	64028	470nF (50V)	1
C02_01P	63462	1uF X2	1
C02_02	NI63461	4.7nF Y	1
C02_03	NI63461	4.7nF Y	1
C02_04P	63447	470uF 400V	1
C02_05P	63447	470uF 400V	1
C02_06P	63447	470uF 400V	1
C02_07T	NI63461	4.7nF Y	1
C02_08P	64046	100nF (630V)	1
C02_08S	64277	10nF Y	1
C02_09S	64277	10nF Y	1
C02_11T	63461	4.7nF Y	1
C03_01P	64007	10nF (50V)	1
C03_02P	64007	10nF (50V)	1
C03_03P	64007	10nF (50V)	1
C03_04P	64007	10nF (50V)	1
C03_05P	64007	10nF (50V)	1
C03_06P	64047	4.7nF (50V)	1
C03_07P	64044	47nF (50V)	1
C03_08P	64044	47nF (50V)	1
C03_09P	64047	4.7nF (50V)	1
C03_10P	64029	1uF (16V)	1
C03_11P	64006	100nF (50V)	1
C03_12P	NI 64008	1nF (50V) NI	1
C03_13P	64028	470nF (50V)	1
C03_14P	64051	100uF (35V)	1
C03_15P	64007	10nF (50V)	1
C03_16P	64006	100nF (50V)	1
C03_17P	64028	470nF (50V)	1
C03_18P	64006	100nF (50V)	1
C03_19P	64028	470nF (50V)	1
C04_01P	64028	470nF (50V)	1
C04_02P	64028	470nF (50V)	1
C04_03P	64006	100nF (50V)	1
C04_04P	64006	100nF (50V)	1
C04_05P	64007	10nF (50V)	1
C05_01P	64029	1uF (16V)	1
C05_2P	64028	470nF (50V)	1
C06_01S	64276	100nF (50V)	1
C06_02S	64276	100nF (50V)	1
C06_03S	64276	100nF (50V)	1
C07_04S	64276	100nF (50V)	1
C07_07S	64276	100nF (50V)	1
C07_08S	64276	100nF (50V)	1
C07_20S	64113	10nF (500V-630V)	1

C07_22S	64276	100nF (50V)	1
C07_24S	64051	100uF (35V)	1
C07_25S	64051	100uF (35V)	1
C07_40S	64280	10nF (50V)	1
C07_41S	64280	10nF (50V)	1
C07_46S	64280	10nF (50V)	1
C07_48S	64280	10nF (50V)	1
CN06_02S	64256	Connecteur ventilateur	1
CN07_04S	A Définir	Connecteur nappe 10 pts	1
D01_01S	64751	LED CMS Jaune	1
D01_02S	64750	LED CMS Verte	1
D01_03P	64257	BYG22D	1
D01_04S	64257	BYG22D	1
D01_05P	64257	BYG22D	1
D01_06P	64030	SM4007	1
D01_07P	64023	BZV55C16	1
D01_08P	64023	BZV55C16	1
D01_09P	64257	BYG22D	1
D01_10P	64257	BYG22D	1
D01_11S	64257	BYG22D	1
D02_01S	64030	SM4007	1
D02_02S	64014	1N4148	1
D02_03S	64014	1N4148	1
D03_01P	64023	BZV55C16	1
D03_02P	64026	BAT42W	1
D03_03P	64026	BAT42W	1
D03_04P	64023	BZV55C16	1
D03_06P	64026	BAT42W	1
D04_01P	64022	BZV55C18	1
D04_02S	64036	BZV55C5.6	1
D07_01S	64257	BYG22D	1
D07_02S	64257	BYG22D	1
JP02_01P	75028	Cosse Faston	1
JP02_01S	51469	Texas 25 femelle pour Cl	1
JP02_02P	75028	Cosse Faston	1
JP02_02S	51469	Texas 25 femelle pour Cl	1
JP02_03P	NI75028	Cosse Faston	1
JP02_04P	NI75028	Cosse Faston	1
JP02_11T	75028	Cosse Faston	1
L02_01P	63676	Self MC 20A	1
L02_02S	64606	220uH	1
POT01_01S	63087	POTAR_10k	1
Q01_01P	64069	STD2NB80	1
Q01_02P	64002	BSR14	1
Q03_01P	64002	BSR14	1
Q03_02P	64002	BSR14	1
Q03_03P	64001	BSR16	1
Q03_04P	64002	BSR14	1
Q04_01P	64002	BSR14	1
Q04_02S	64002	BSR14	1
Q05_01S	64002	BSR14	1
Q05_02P	64001	BSR16	1
Q05_03P	64002	BSR14	1
Q06_01S	64002	BSR14	1
Q06_02S	64002	BSR14	1
Q06_03S	64002	BSR14	1
Q06_04S	64107	BDP950	1

R01_01P	63109	330R PRO2	1
R01_07P	64108	470	1
R01_08P	64040	100K	1
R01_09P	64040	100K	1
R01_10P	64017	4.7R	1
R01_11P	64017	4.7R	1
R01_12P	64017	4.7R	1
R01_16P	64064	68	1
R01_17P	64015	100	1
R01_18P	64037	15K	1
R01_19P	64015	100	1
R01_20P	64108	470	1
R01_21S	64004	1K	1
R01_22S	64040	100K	1
R01_23S	64048	10K 1/16W	1
R02_01P	63146	4.7R 11W	1
R02_01T	64109	0	1
R02_02S	64032	1.3K	1
R02_02T	64109	0	1
R02_03T	64109	0	1
R02_04S	64032	1.3K	1
R02_04T	64109	0	1
R02_05T	64109	0	1
R02_06S	64032	1.3K	1
R02_08T	NI64119	22	1
R02_11T	64119	22	1
R03_01P	64040	100K	1
R03_02P	64040	100K	1
R03_03P	64012	10	1
R03_04P	64017	4.7R	1
R03_05P	64017	4.7R	1
R03_06P	64017	4.7R	1
R03_07P	64018	47	1
R03_08P	64015	100	1
R03_09P	64035	221	1
R03_10P	64021	3.3K	1
R03_11P	64009	1.82K	1
R03_12P	64021	3.3K	1
R03_13P	64021	3.3K	1
R03_14P	64053	68K	1
R03_15P	64015	100	1
R03_16P	64015	100	1
R03_17P	64013	4.75K	1
R03_18P	64048	10K 1/16W	1
R03_19P	64048	10K 1/16W	1
R03_20	64013	4.75K	1
R03_21P	64013	4.75K	1
R03_22P	64048	10K 1/16W	1
R03_23P	64013	4.75K	1
R03_24P	64048	10K 1/16W	1
R04_01P	64048	10K 1/16W	1
R04_02P	64048	10K 1/16W	1
R04_03P	NI	NI	1
R04_04P	64004	1K	1
R04_05P	64043	6.82K	1
R04_06P	64048	10K 1/16W	1
R04_07P	64048	10K 1/16W	1

R04_08P	64010	2.21K	1
R04_09P	64010	2.21K	1
R04_10P	64109	0	1
R04_14P	64012	10	1
R04_15S	64004	1K	1
R04_16S	64013	4.75K	1
R04_17S	64048	10K 1/16W	1
R04_18S	64048	10K 1/16W	1
R05_01S	64048	10K 1/16W	1
R05_02S	64048	10K 1/16W	1
R05_03S	64021	3.3K	1
R05_04S	64021	3.3K	1
R05_05P	64011	10K	1
R05_06P	64010	2.21K	1
R05_07P	64011	10K	1
R05_08P	64109	0	1
R06_01S	64048	10K 1/16W	1
R06_02S	64048	10K 1/16W	1
R06_03S	64048	10K 1/16W	1
R06_04S	64048	10K 1/16W	1
R06_05S	64048	10K 1/16W	1
R06_06S	64048	10K 1/16W	1
R06_07S	64010	2.21K	1
R06_08S	64011	10K	1
R07_10S	64048	10K 1/16W	1
R07_21S	64109	0	1
R07_22S	64011	10K	1
R07_23S	64040	100K	1
R07_25S	64040	100K	1
R07_26S	64033	47K	1
R07_27S	64048	10K 1/16W	1
R07_29S	64119	22	1
R07_32S	64035	221	1
R07_33S	64035	221	1
R07_51S	64048	10K 1/16W	1
R07_52S	64048	10K 1/16W	1
R07_55S	64048	10K 1/16W	1
R07_56S	64048	10K 1/16W	1
R07_57S	64048	10K 1/16W	1
R07_58	64048	10K 1/16W	1
R07_58S	64048	10K 1/16W	1
R07_61S	64003	680	1
R07_62S	64003	680	1
R07_63S	64003	680	1
R07_64S	64003	680	1
R07_65S	64003	680	1
R07_66S	64003	680	1
R07_67S	64003	680	1
R07_68S	64003	680	1
RL02_01	52601	Relais 24V / 16A	1
RL02_02	52615	Relais 24V / 30A	1
SMI02_01	64186 Ind1	SMI 184	1
Terre_00		Pastille	1
Terre_01	63149	Screw Terminal	1
Tr01_01	64132	Tr ETD29	1
Tr02_01	64124	TR E55	1
U03_01P	64057	UC3845D	1

U03_02P	64079	L6386	1
U04_01P	64054	LM324D	1
U04_02	64055	SFH6156-2	1
U05_01	64055	SFH6156-2	1
U07_01S	64805	ST7LYTE05	1
U07_61S	64063	TLC 431	1
VAR02_01P	63446	S14K420	1