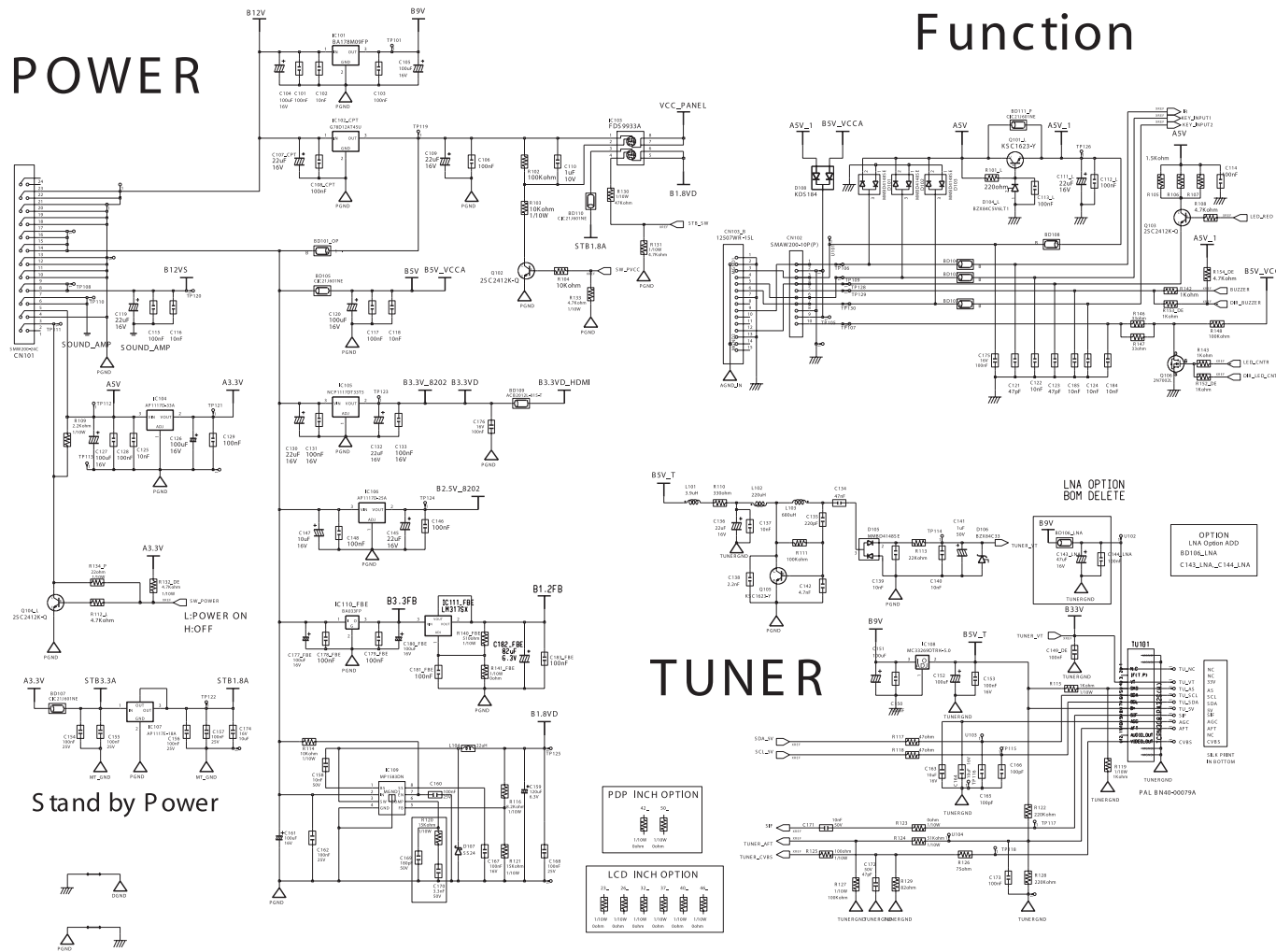


# 9 Schematic Diagrams

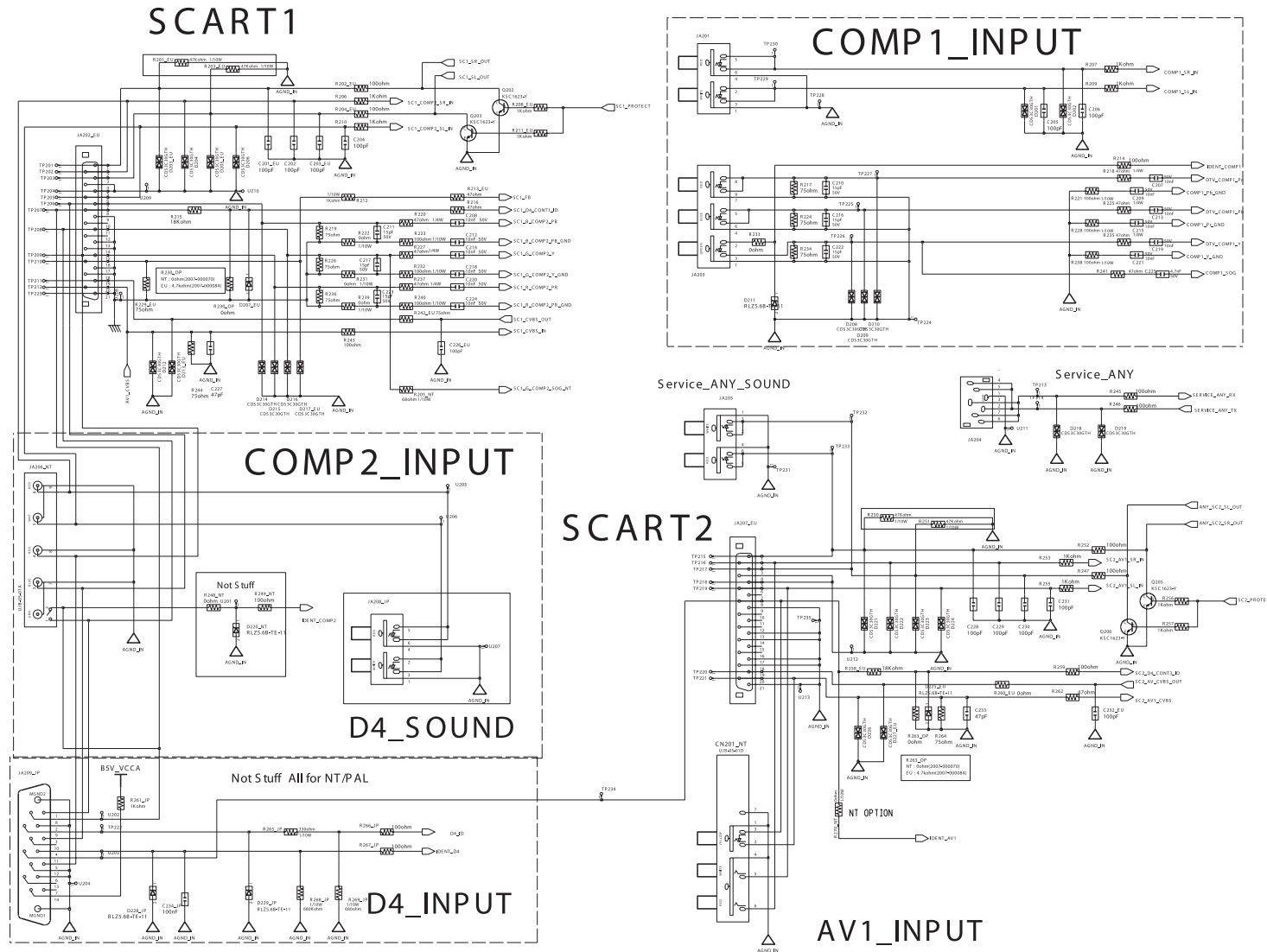
-This Document can not be used without Samsung's authorization.

## 9-1 Power\_Function Schematic Diagram



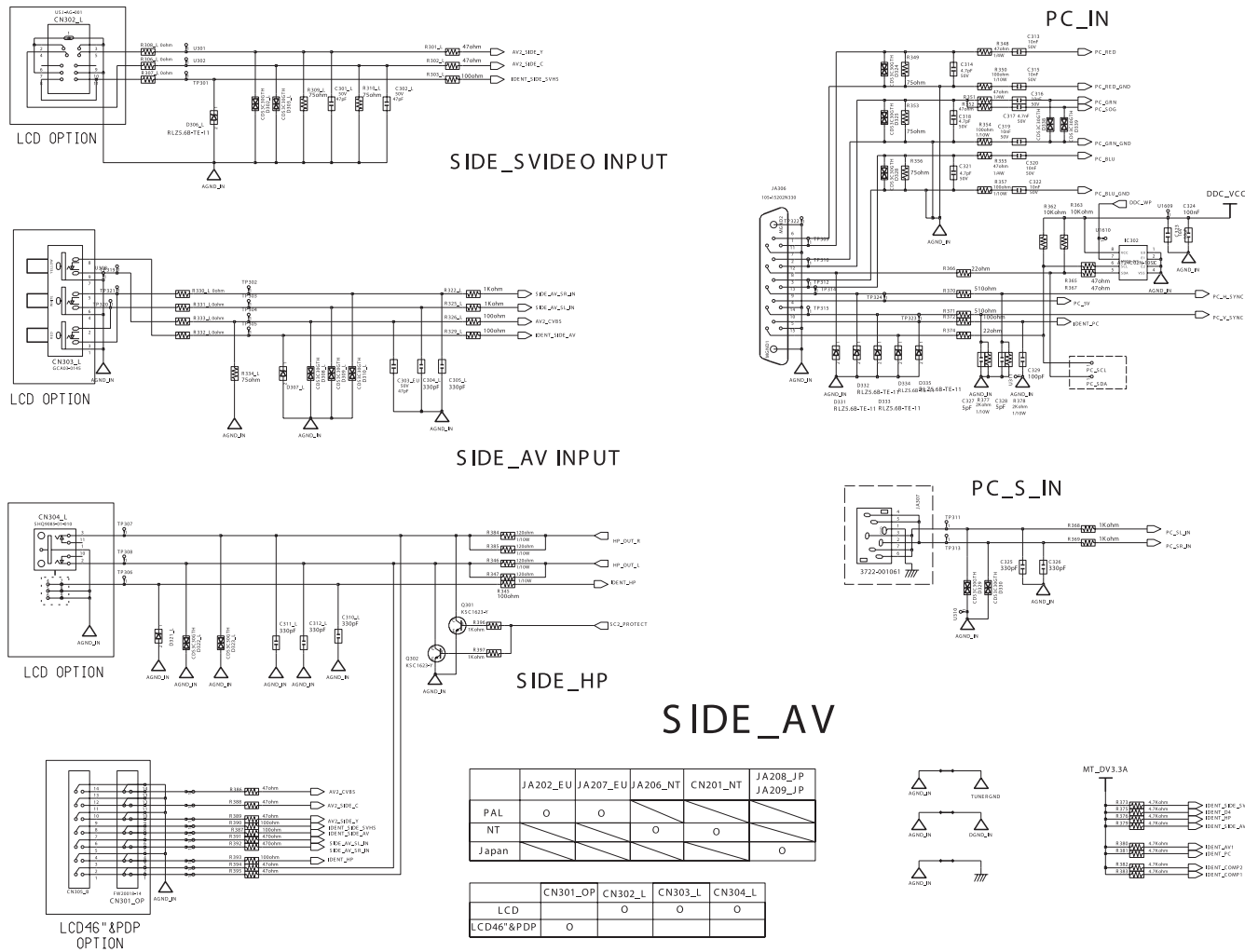
-This Document can not be used without Samsung's authorization.

9-2 Schematic Diagram



-This Document can not be used without Samsung's authorization.

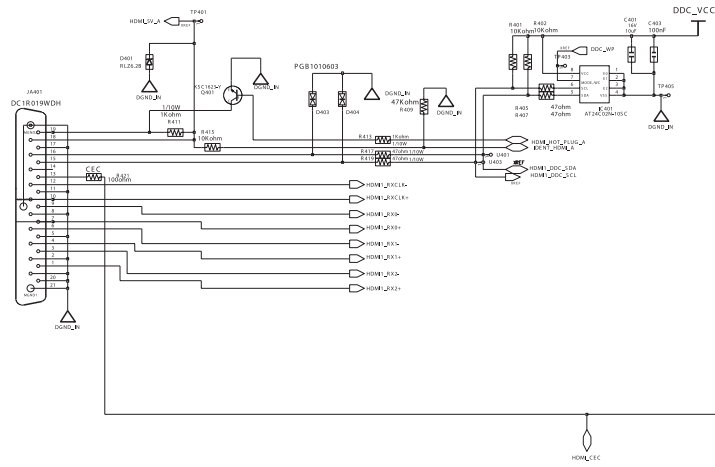
9-3 SIDE\_AV Schematic Diagram



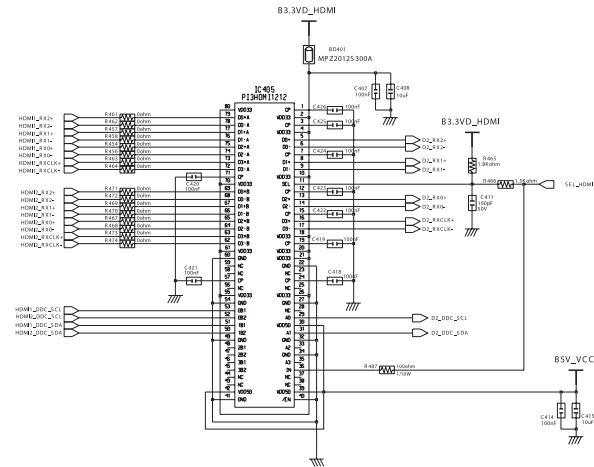
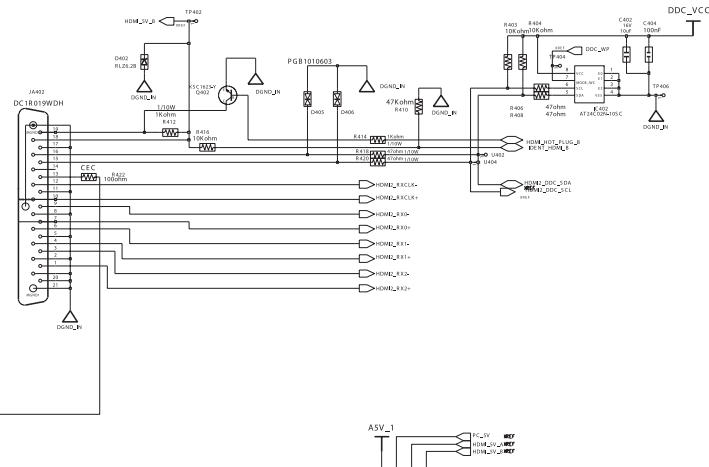
-This Document can not be used without Samsung's authorization.

9-4 HDMI\_INPUT Schematic Diagram

HDMI1\_INPUT

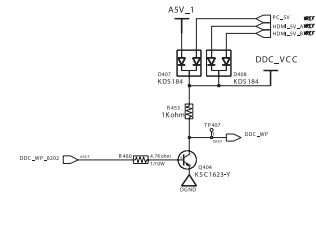


HDMI2\_INPUT

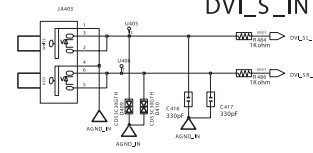


HDMI SWITCH

SEL_HDMI	HIGH	LOW
OUTPUT	HDMI2	HDMI1

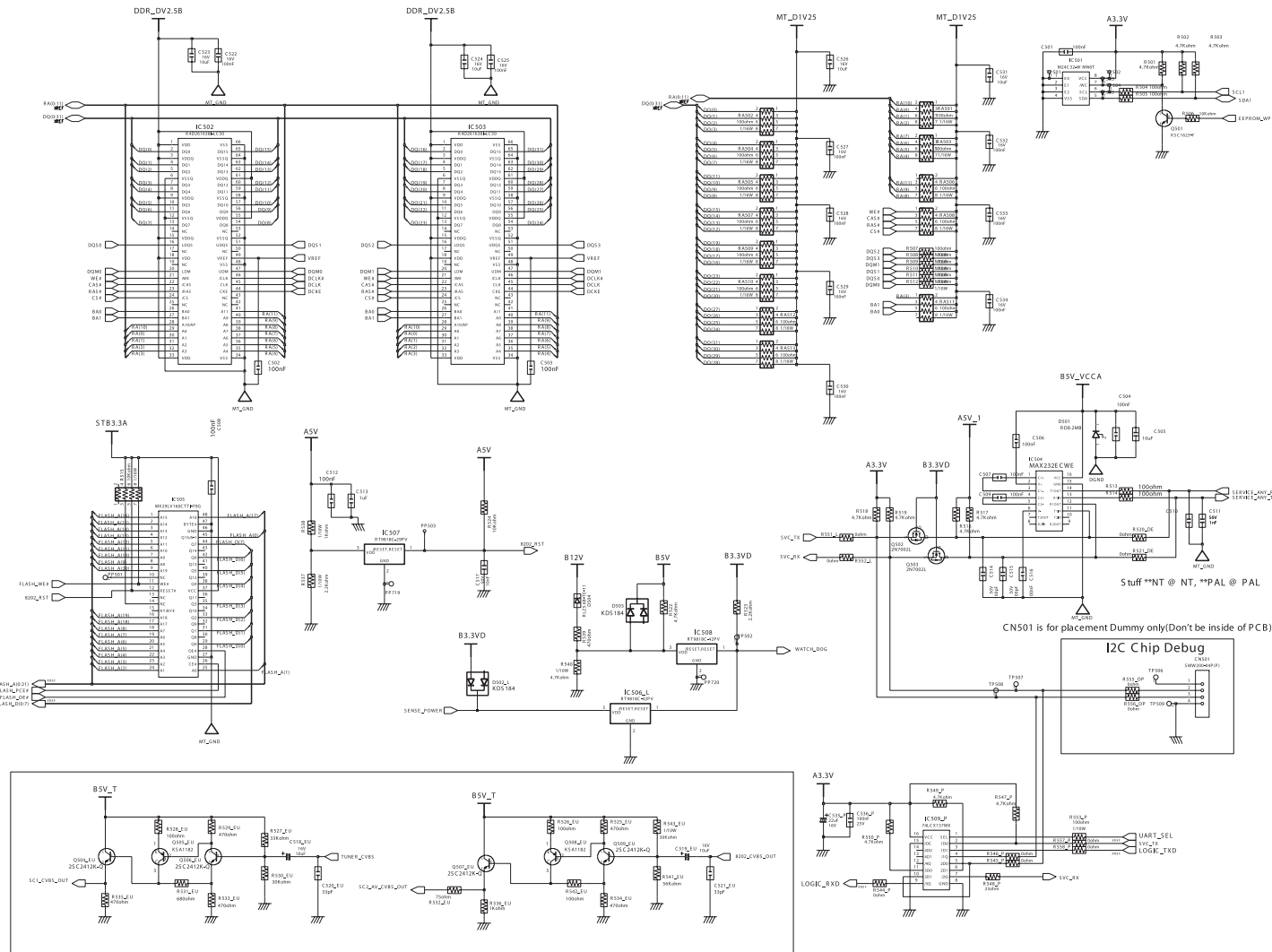


DVI\_S\_IN



-This Document can not be used without Samsung's authorization.

### 9-5 Scart Option Schematic Diagram

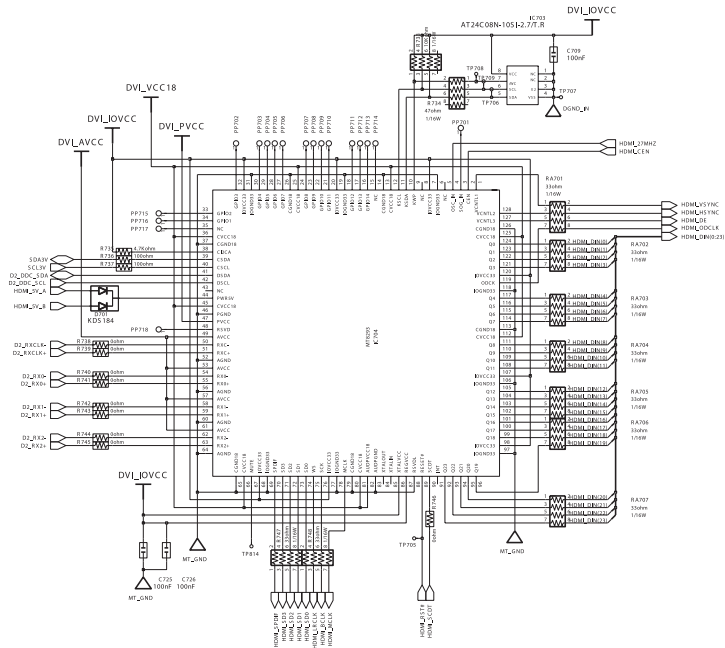


Scart Option

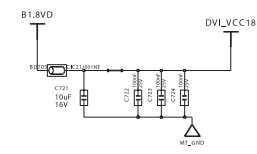
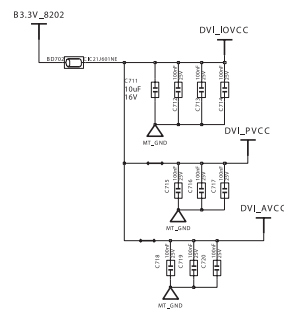


-This Document can not be used without Samsung's authorization.

9-7 Application Schematic Diagram

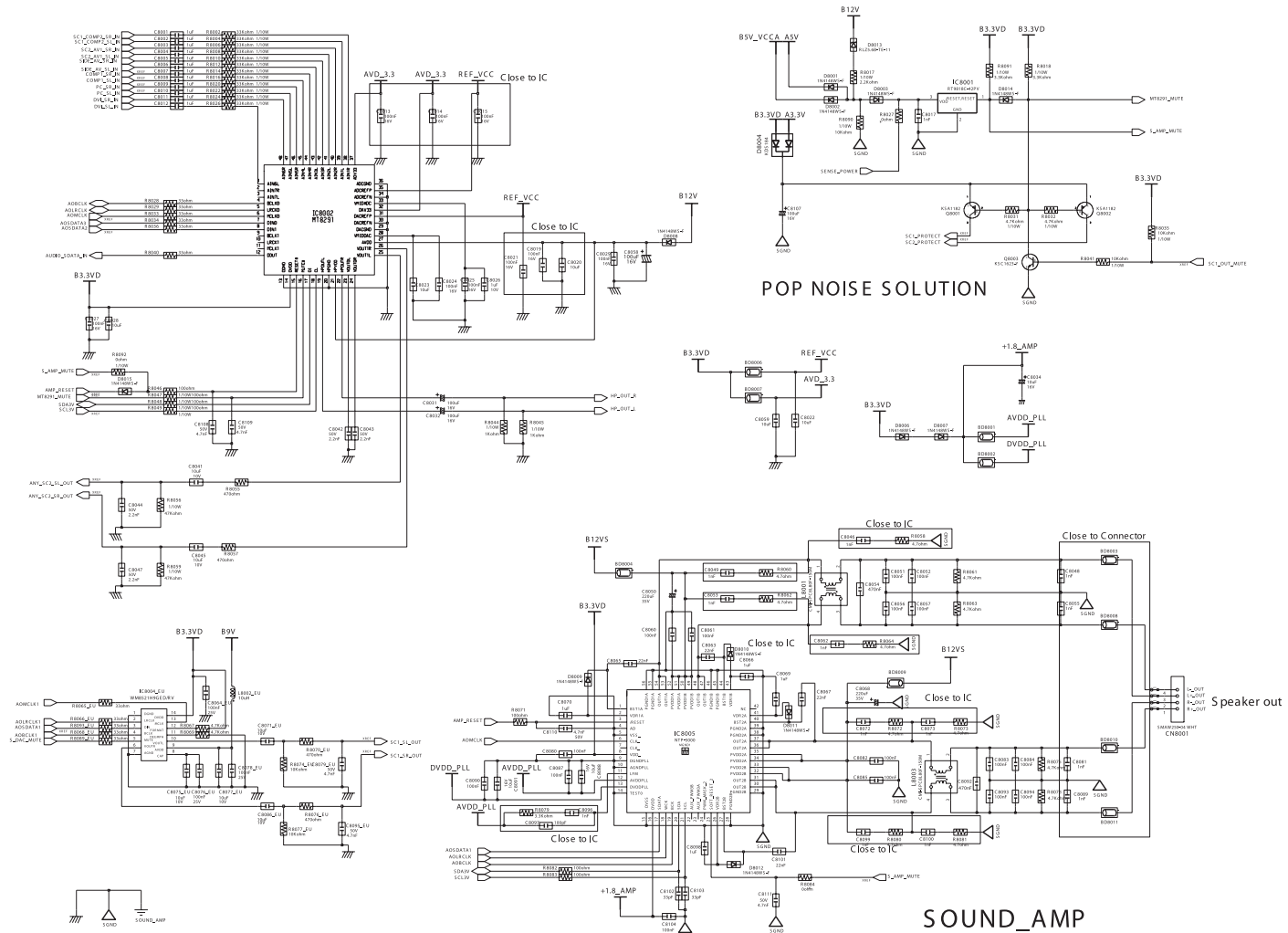


Near to Connector



-This Document can not be used without Samsung's authorization.

9-8 Application Schematic Diagram







-This Document can not be used without Samsung's authorization.

9-10 Application Schematic Diagram

# LVDS & Dimming

