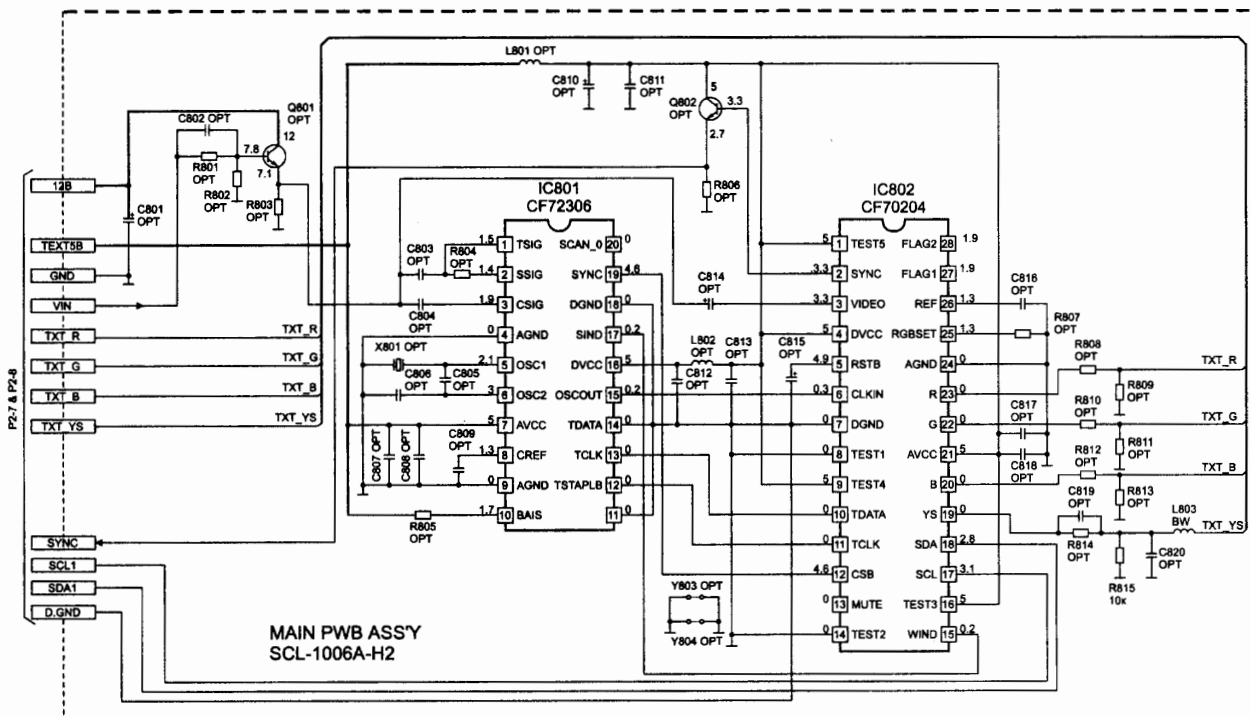
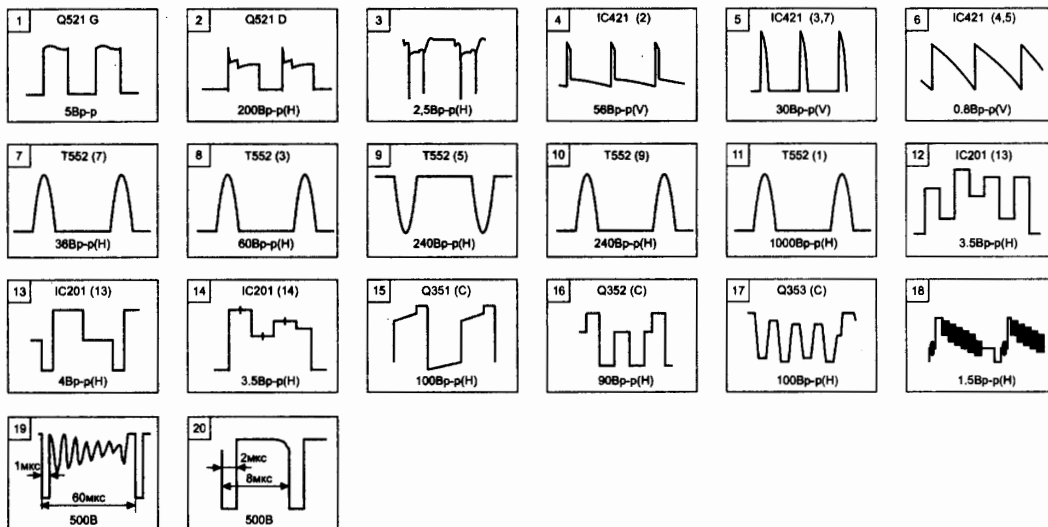
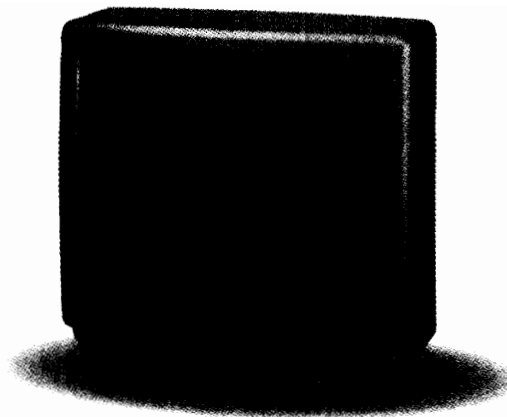
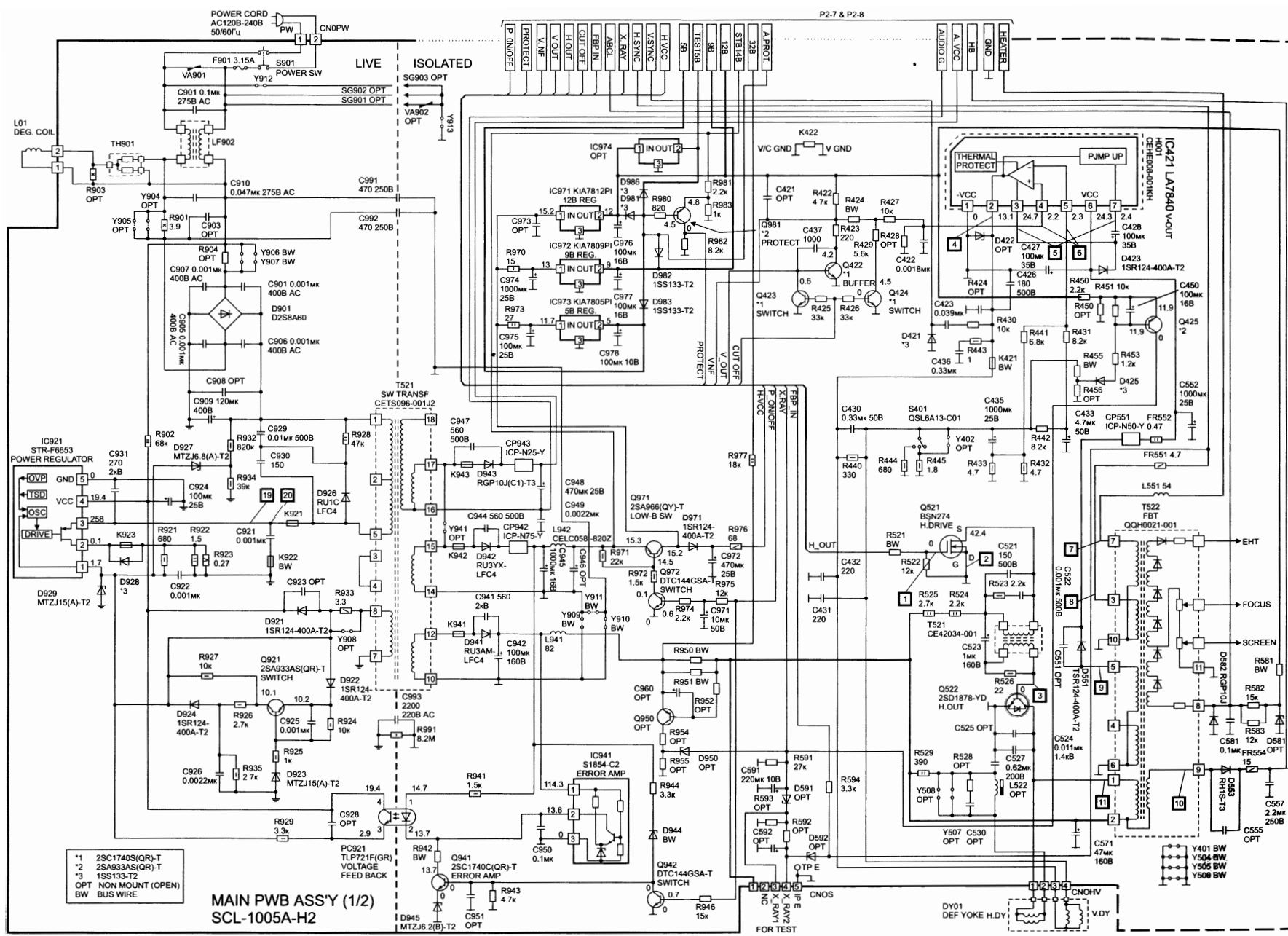
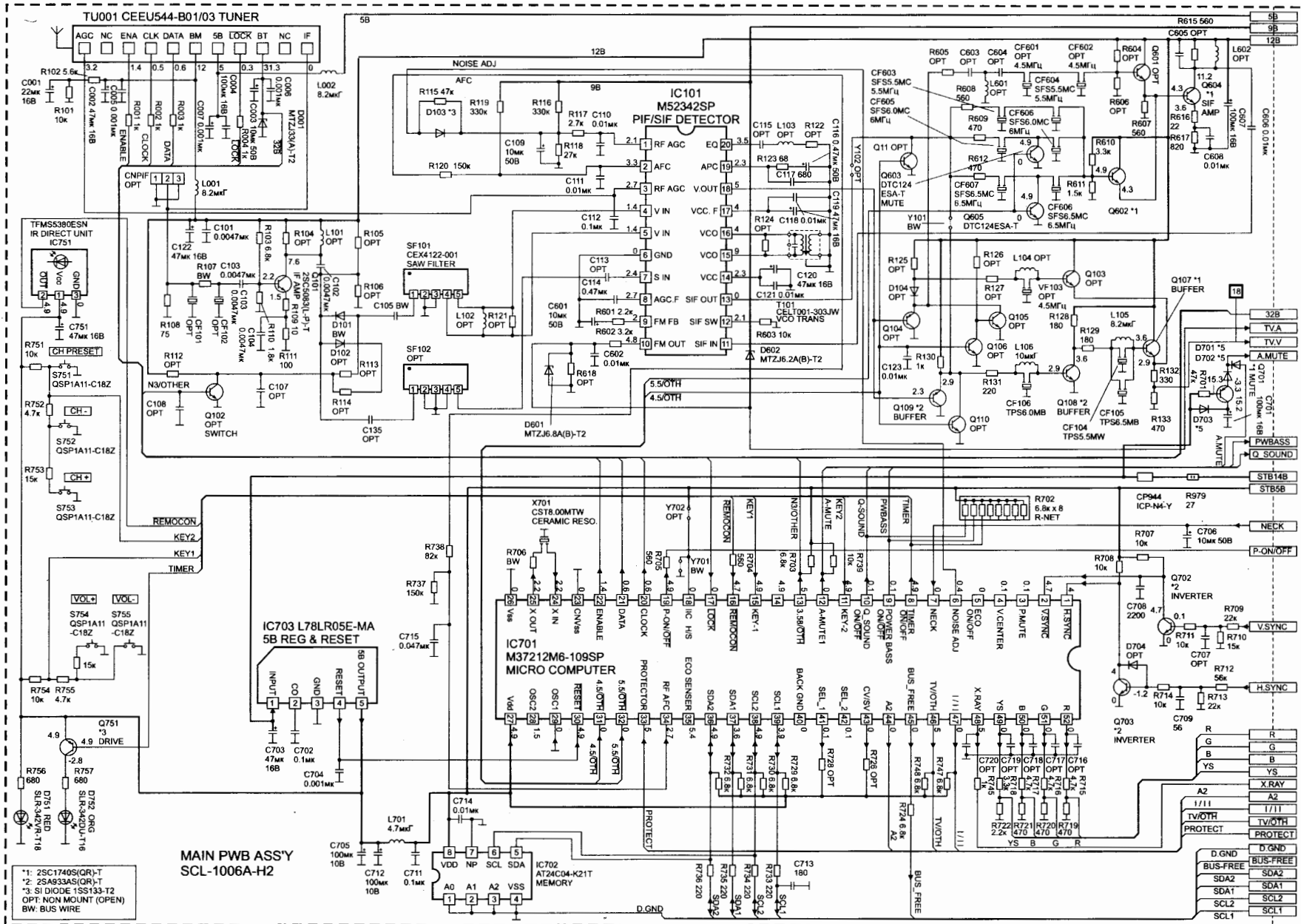


# ПРИНЦИПИАЛЬНАЯ СХЕМА ТЕЛЕВИЗОРОВ JVC НА ШАССИ CL



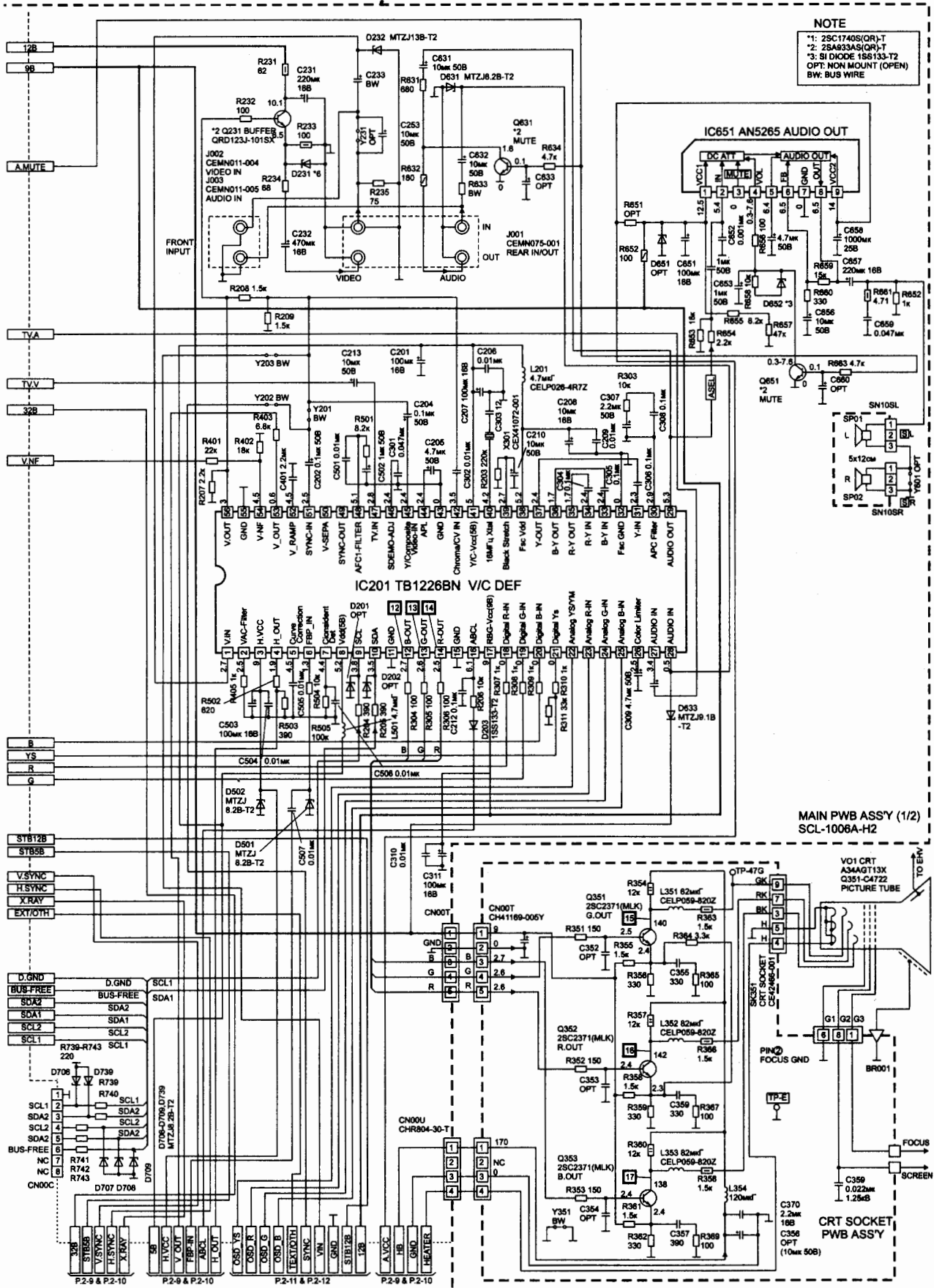




9B	
9B	
12B	
32B	TVA
TVV	
A.MUTE	
T.MUTE	
A.MUTE	
PWBASS	
O.SOUND	
STB14B	
STB5B	
NECK	
P.ON/OFF	
V.SYNC	
H.SYNC	
R	R
G	G
B	B
YS	Y.S
X.RAY	X.RAY
A2	A2
1/11	1/11
TV/OTH	TV/OTH
PROTECT	PROTECT
D.GND	D.GND
BUS-FREE	BUS-FREE
SDA2	SDA2
SDA1	SDA1
SCL2	SCL2
SCL1	SCL1

**NOTE**

- \*1: 2SC1740S(QR)-T
- \*2: 2SA933AS(QR)-T
- \*3: 8I DIODE 1S6133-T2
- OPT: NON MOUNT (OPEN)
- BW: BUS WIRE



MAIN PWB ASSY (1/2)  
SCL-1006A-H2

CRT SOCKET  
PWB ASSY

