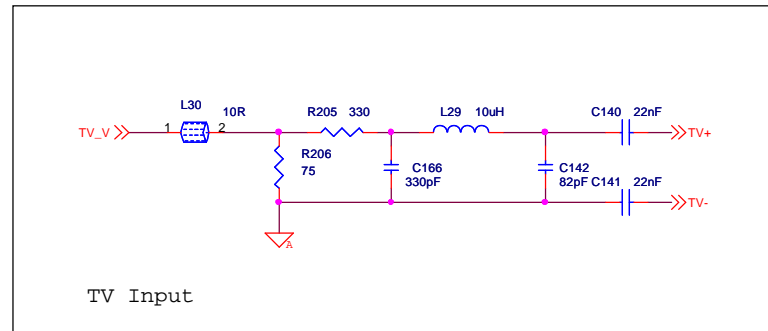
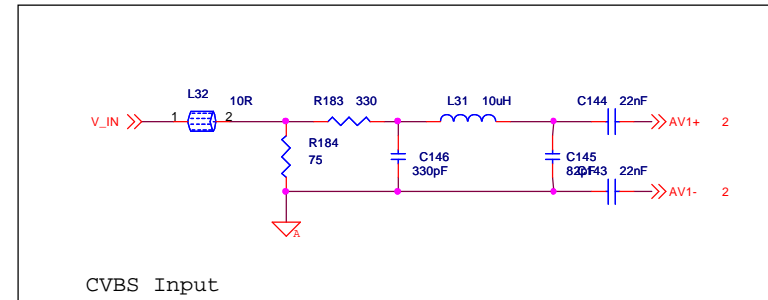
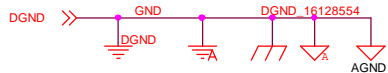
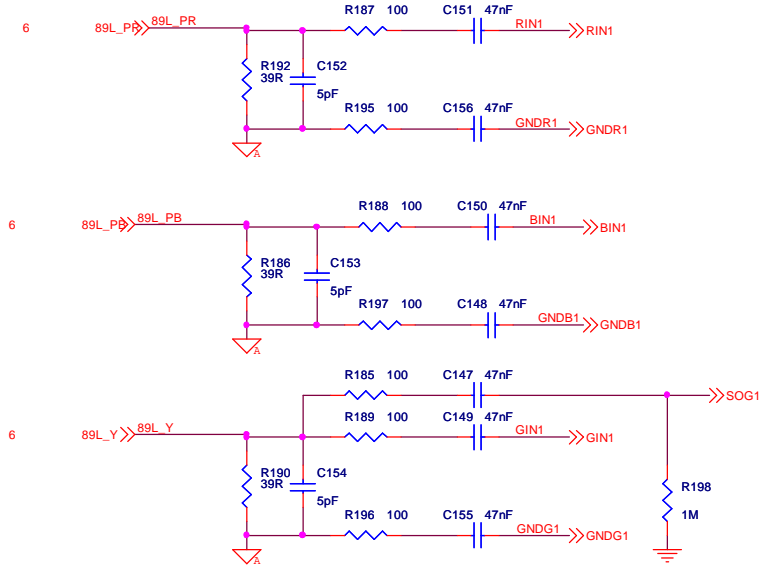

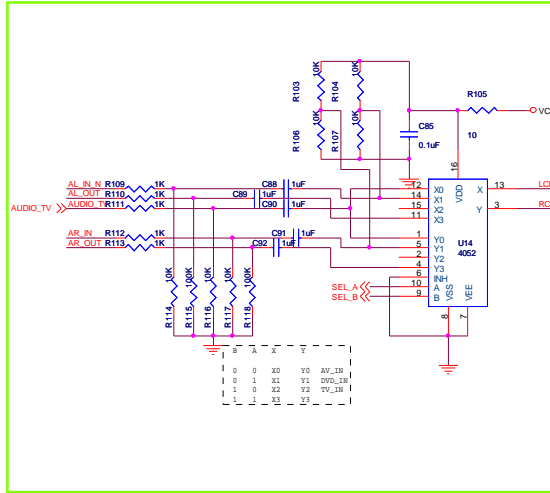
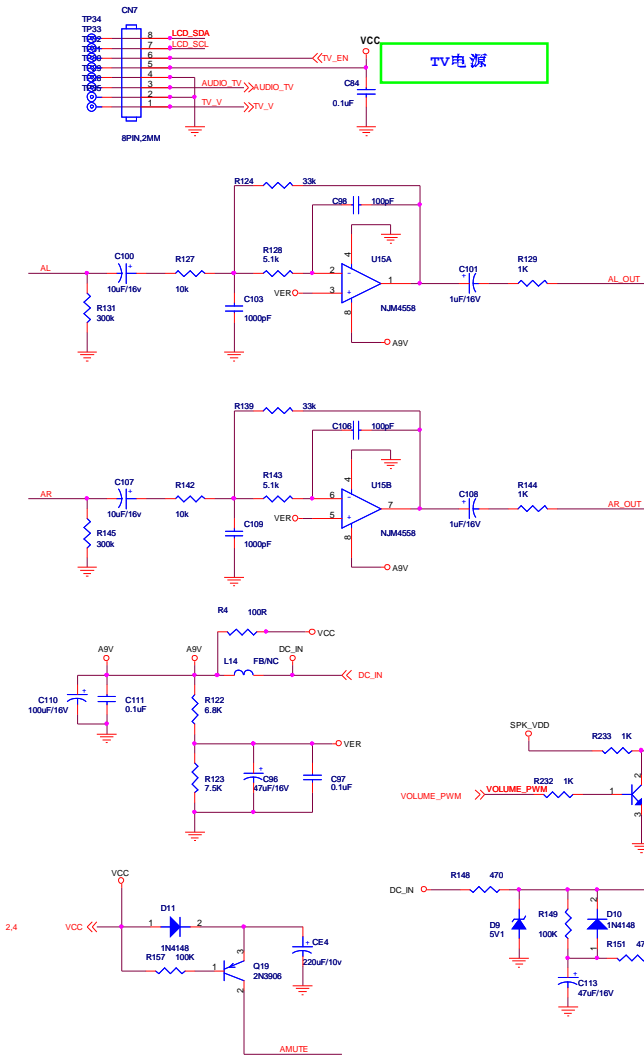


DVD Input

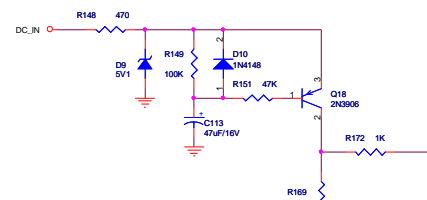
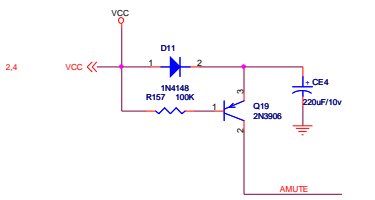
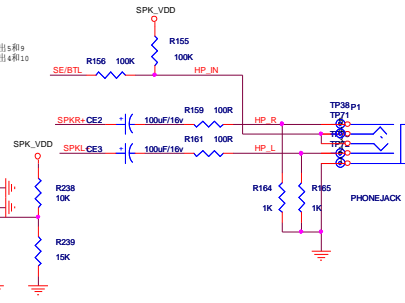
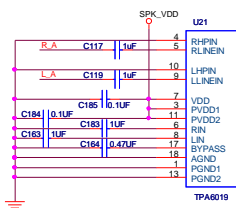
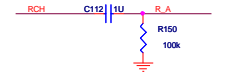
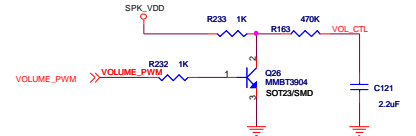
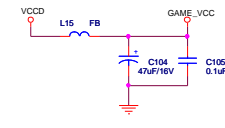
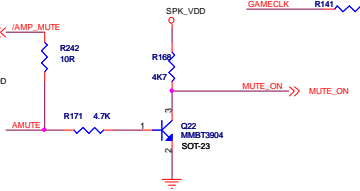
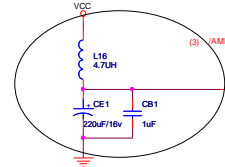
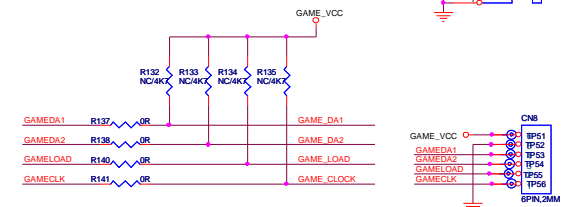
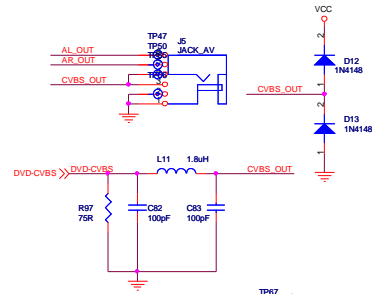


MediaTek Confidential

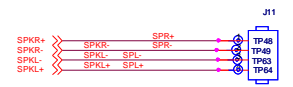
	MediaTek (ShenZhen) Inc.			
	Title: PORTABLE1389P_DM520A_HD850_BA5954			
	Size: B	Document Number: CHARGE	Drawn: Tom_Wang	Rev: 1
	Date: Saturday, July 10, 2010		Checked: Sifan_Chen	Sheet 1 of 6



LCD_SCL	<>	LCD_SCL (3)
LCD_SDA	<>	LCD_SDA (3)
IIC		
AR	<>	AR (4)
AL	<>	AL (4)
AUDIO INTERFACE		
GAME_CLOCK	<>	GAME_CLOCK (3)
GAME_LOAD	<>	GAME_LOAD (3)
GAME_DA1	<>	GAME_DA1 (3)
GAME_DA2	<>	GAME_DA2 (3)
GAME INTERFACE		



0V VOLMAX
5V VOLMIN



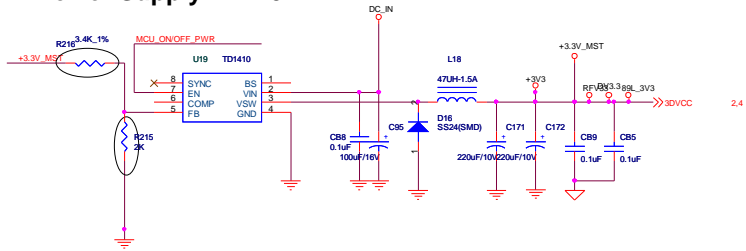
MediaTek Confidential

MediaTek (ShenZhen) Inc.

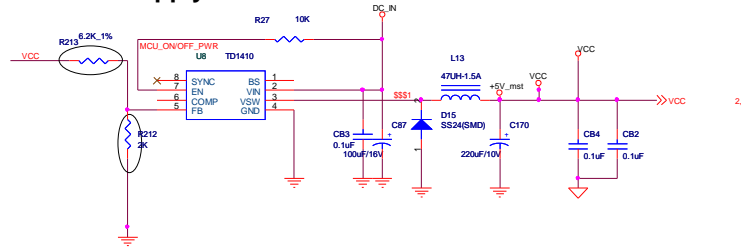
Title: PORTABLE1389P_DM520A_HD850_BA5954

Size	Document Number	Drawn:	Tom_Wang	Rev	1
C	CHARGE	Checked:	Sifen_Chen		
Date:	Tuesday, July 20, 2010	Sheet	1	of	8

Power Supply 12V-5V

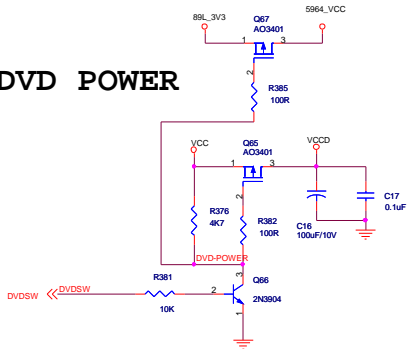


Power Supply 12V-5V

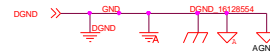
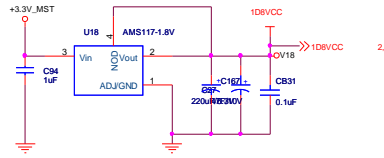


MCU_ON/OFF_PWR << MCU_ON/OFF_PWR
DC_IN >> DC_IN

DVD POWER

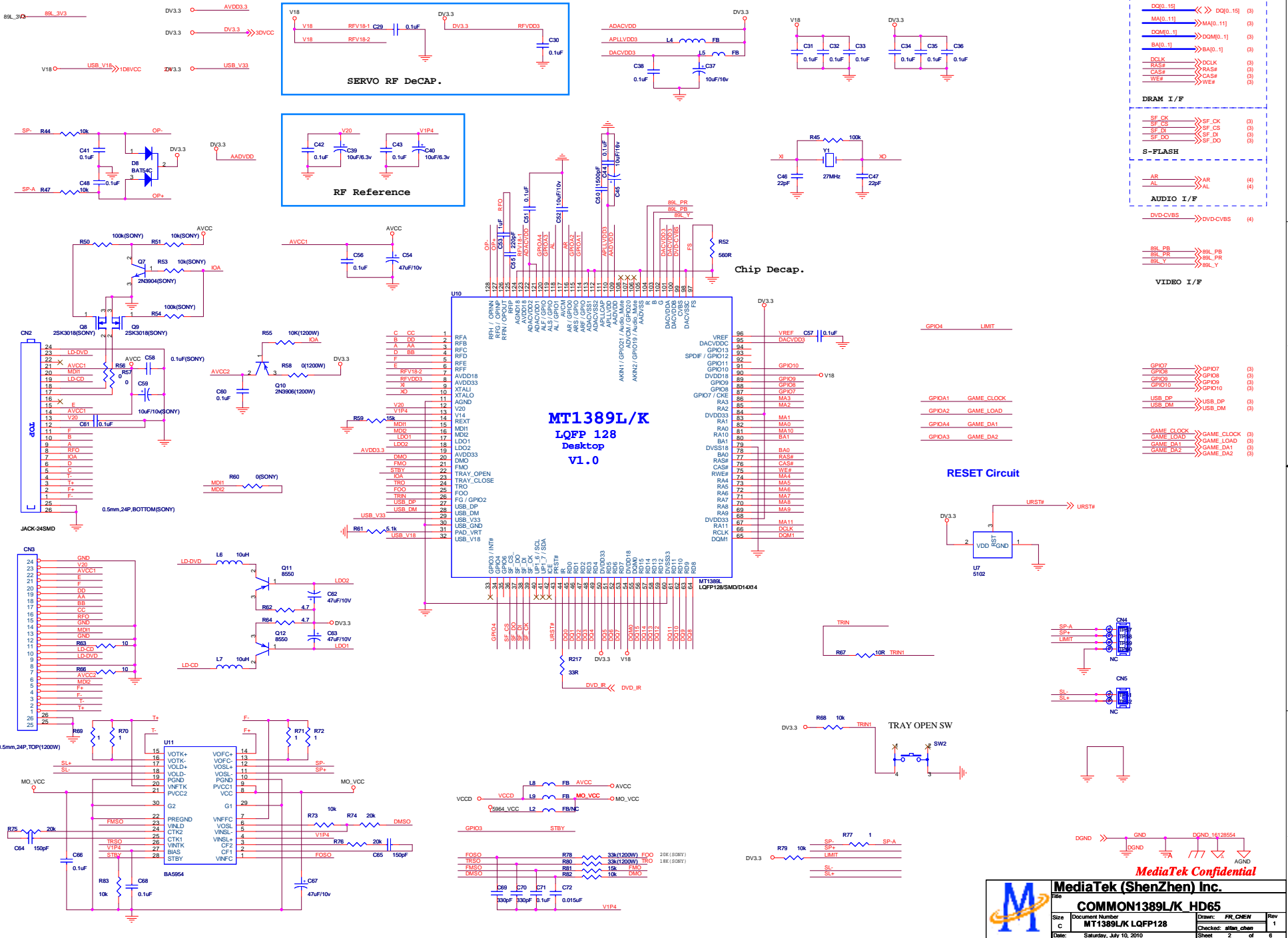


DVD_PWR << DVD_PWR



MediaTek Confidential

M	MediaTek (ShenZhen) Inc.		
	Title: PORTABLE1389P_DM520A_HD850_BA5954		
Size	Document Number	Drawn: Tom_Wang	Rev
c	CHARGE	Checked: Sifen_Chen	1
Date:	Saturday, July 10, 2010	Sheet	1 of 8



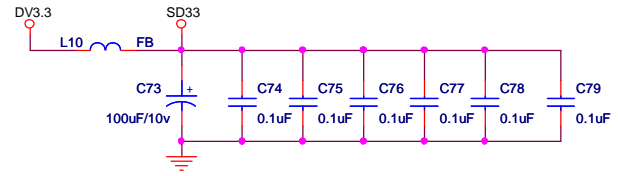
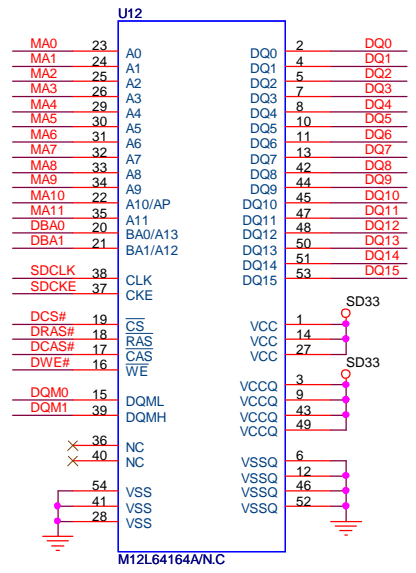
MediaTek Confidential

MediaTek (ShenZhen) Inc.

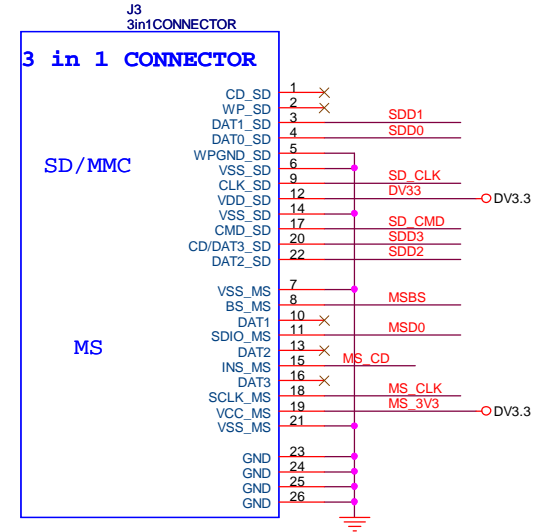
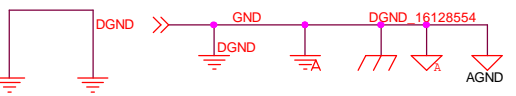
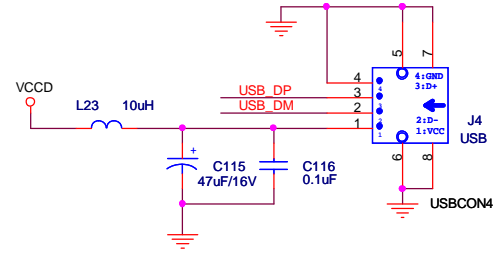
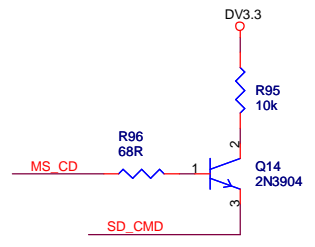
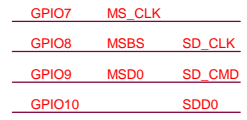
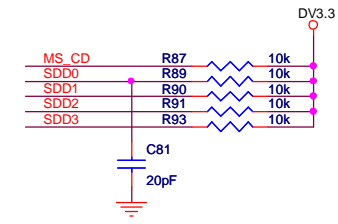
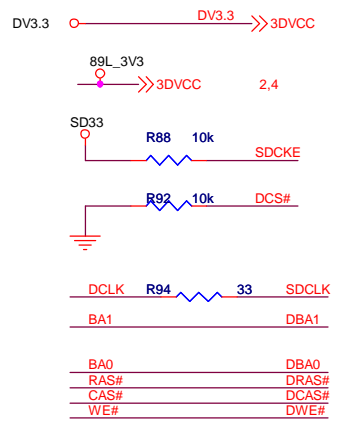
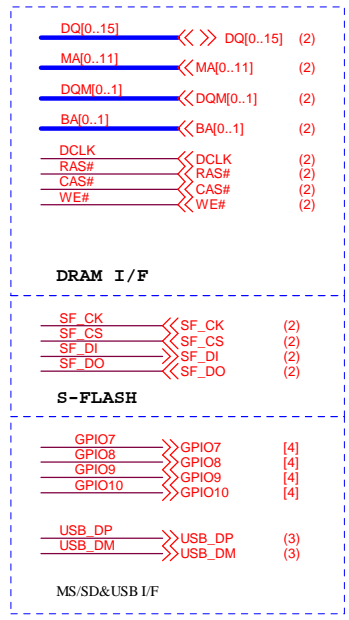
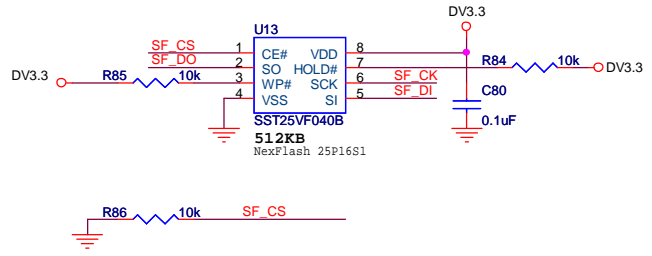
COMMON1389L/K HD65

File: COMMON1389L/K HD65
 Size: MT1389L/K LQFP128
 Document Number: MT1389L/K LQFP128
 Date: Saturday, July 10, 2010

Drawn: PIR.CHEN
 Checked: iftan_chen
 Sheet: 2 of 6



S-FLASH



MediaTek Confidential

MediaTek (ShenZhen) Inc.

Title: **COMMON1389L/K HD65**

Size	Document Number	Drawn: FR_CHEN	Rev
Custom	SDRAM & FLASH	Checked: sifan_chen	1
Date:	Saturday, July 10, 2010	Sheet	3 of 6