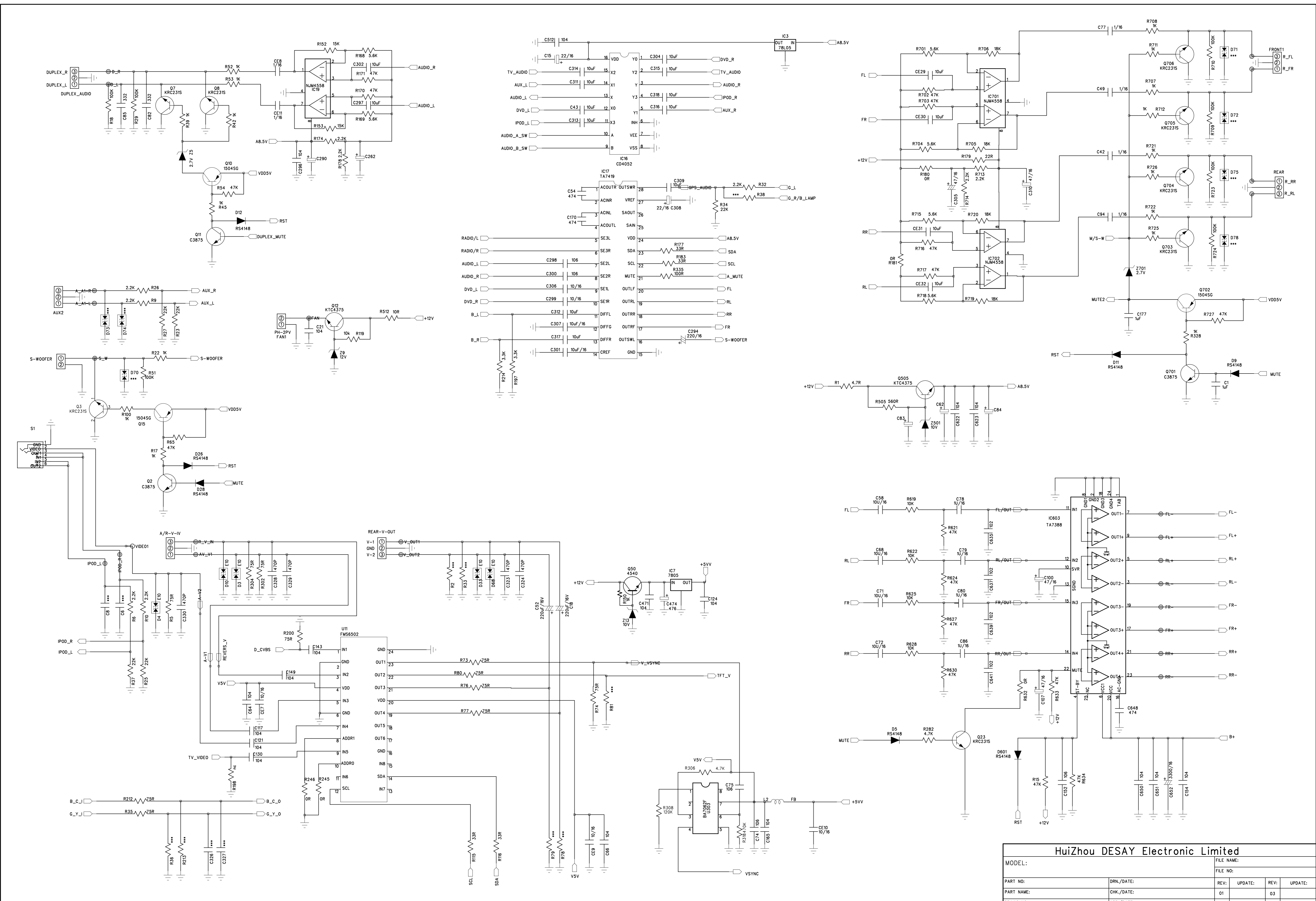
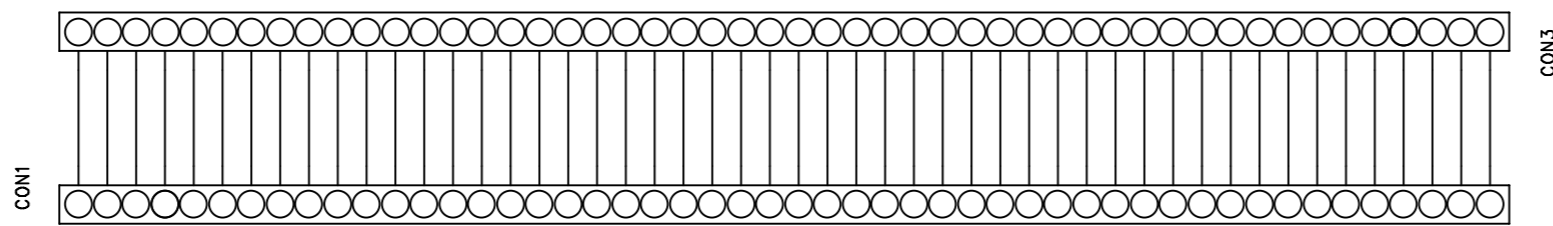
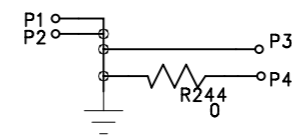
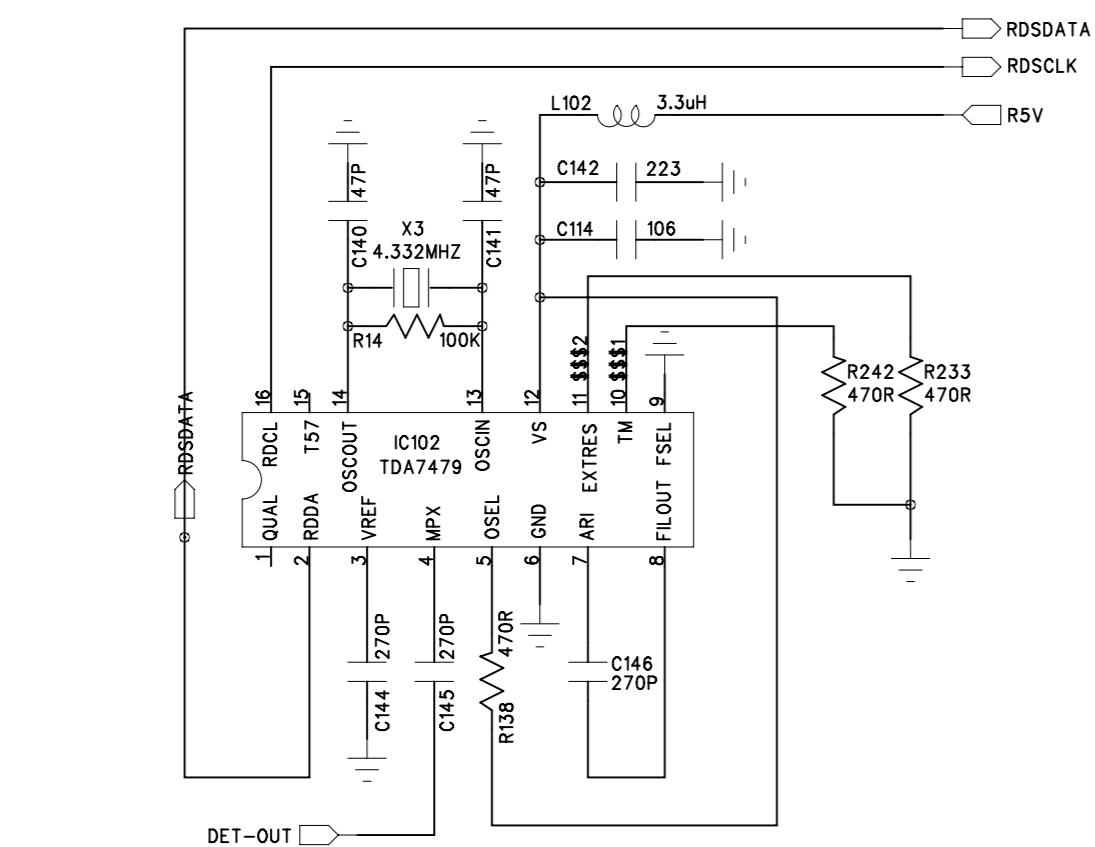
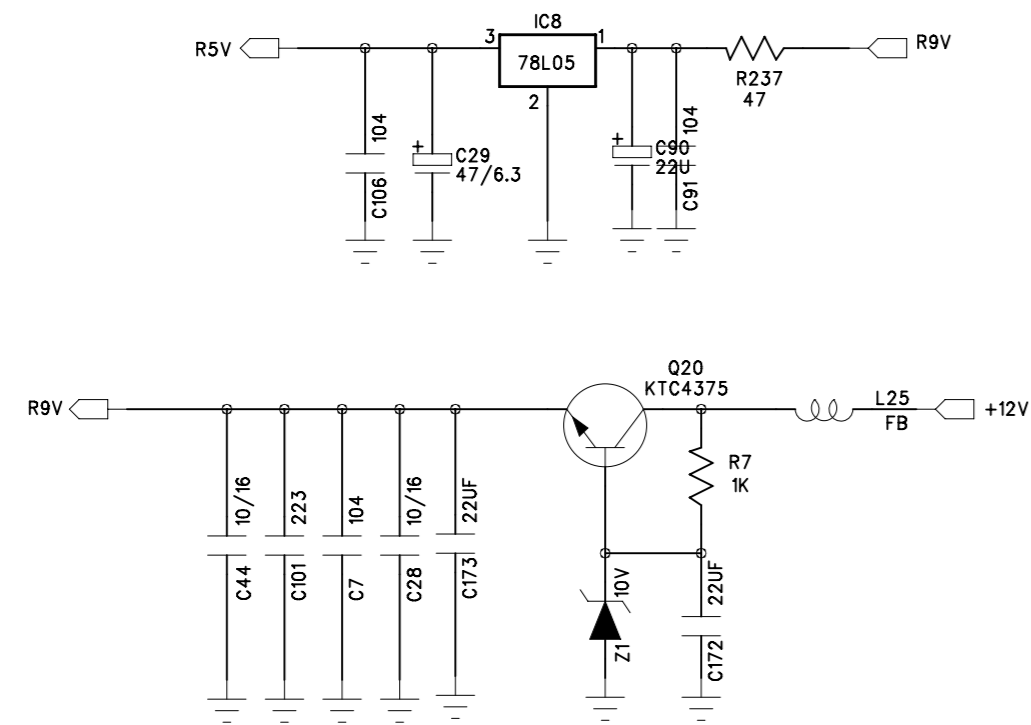
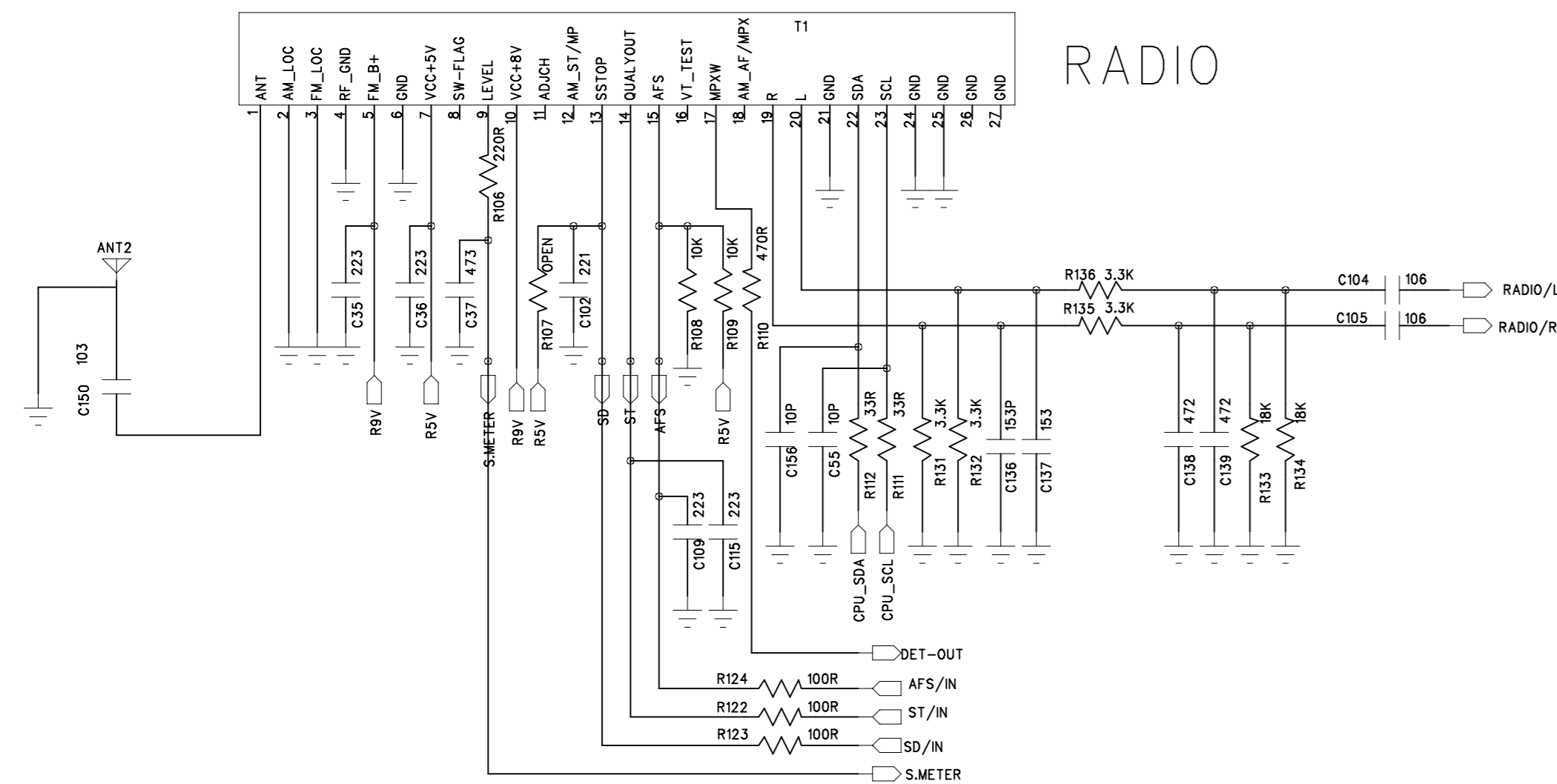


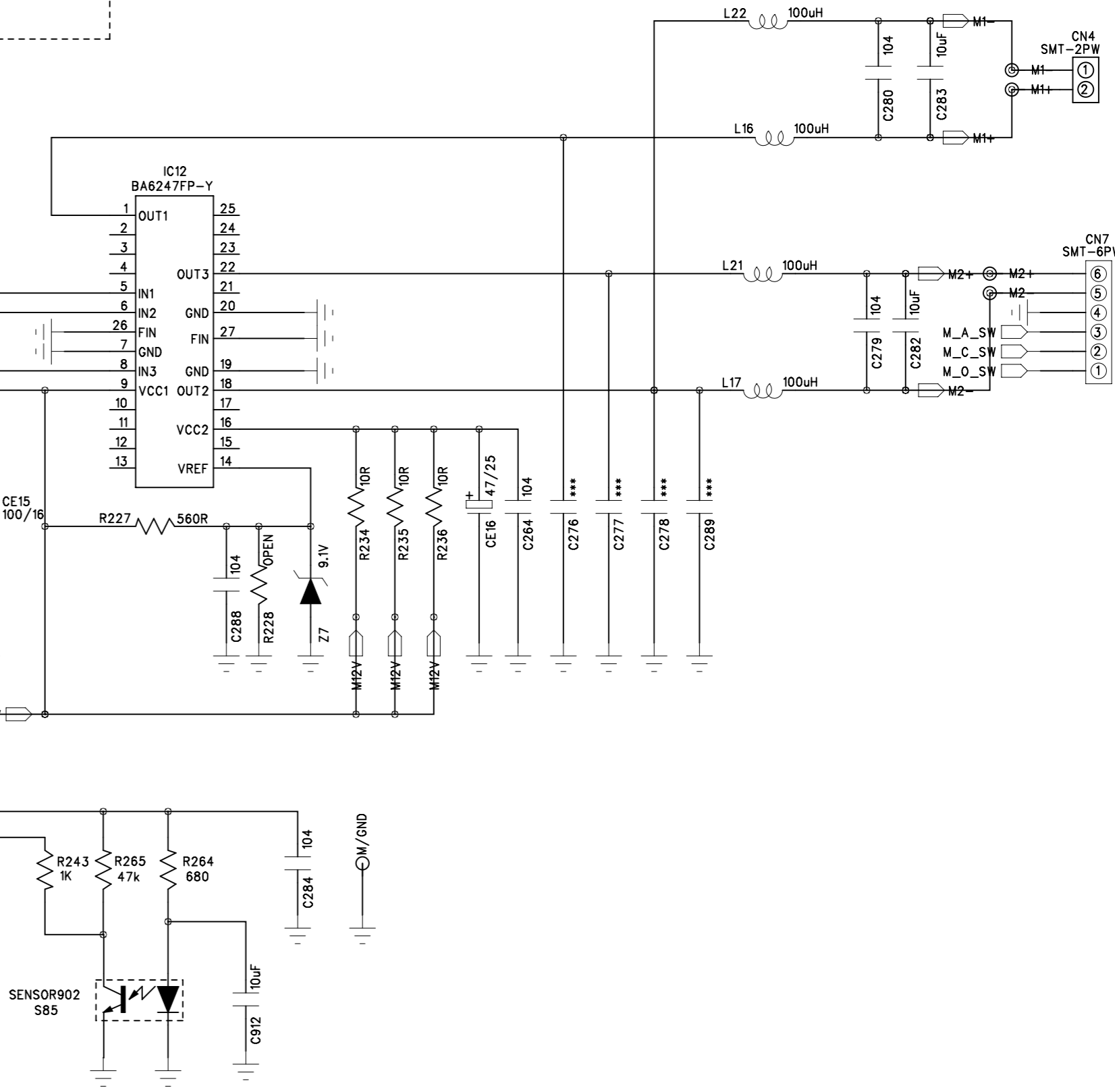
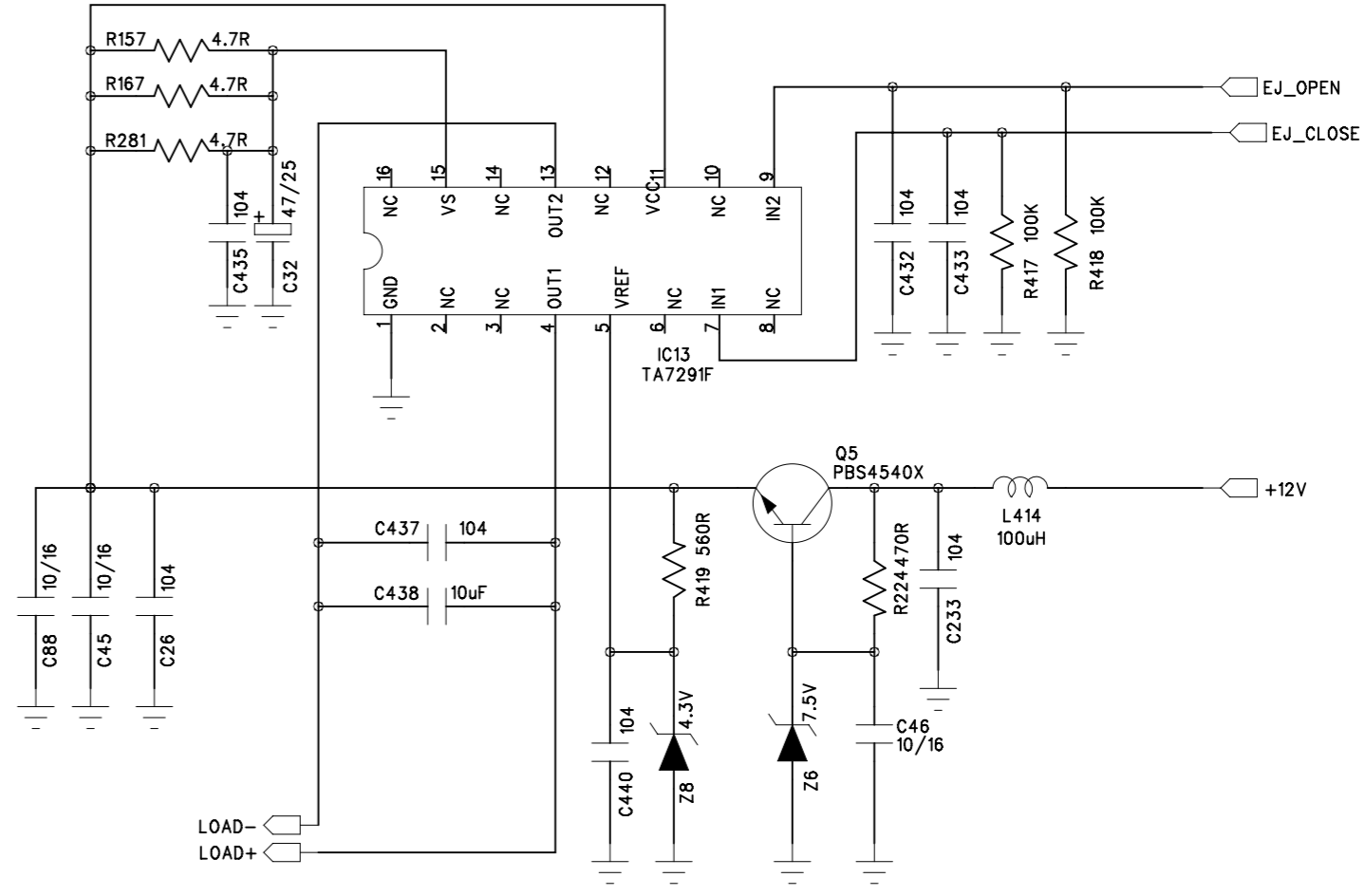
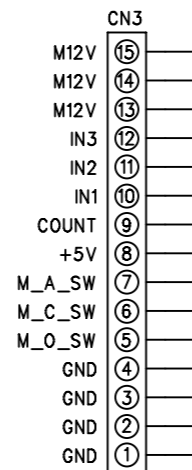
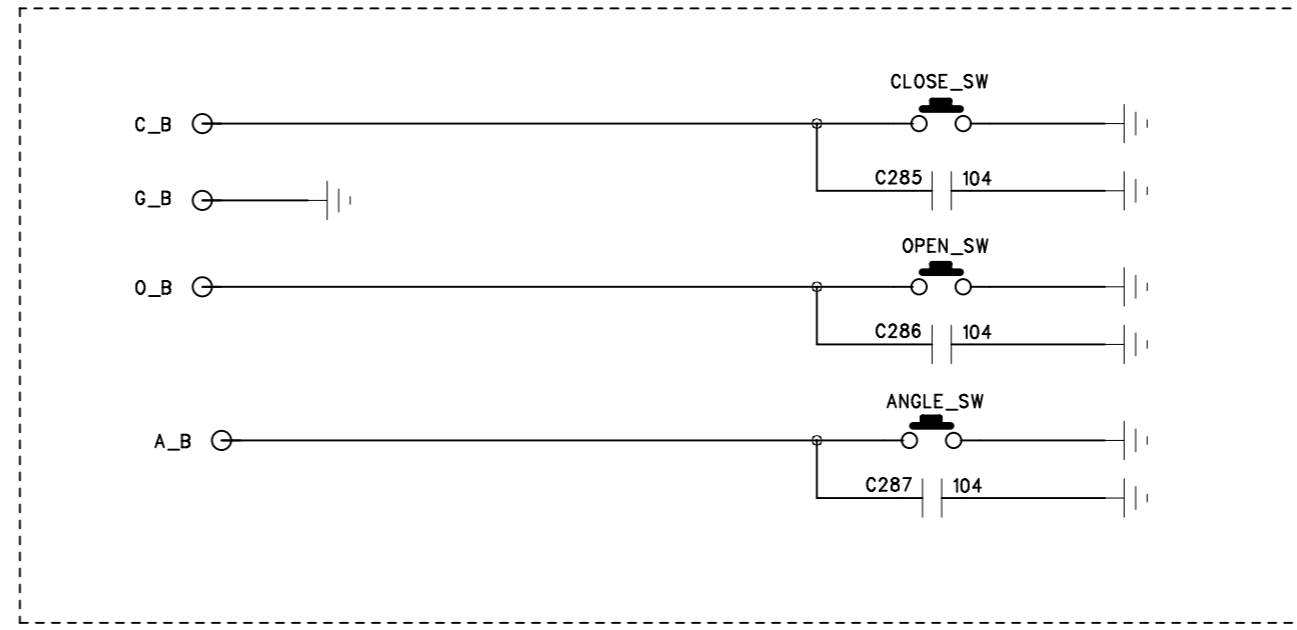
| | | | |
|---|------------|------|---------|
| HuiZhou DESAY Electronic Limited | | | |
| MODEL: | FILE NAME: | | |
| PART NO: | DRN./DATE: | REV: | UPDATE: |
| PART NAME: | CHK./DATE: | 01 | 03 |
| DRAWG NO: | APP./DATE: | 02 | 04 |



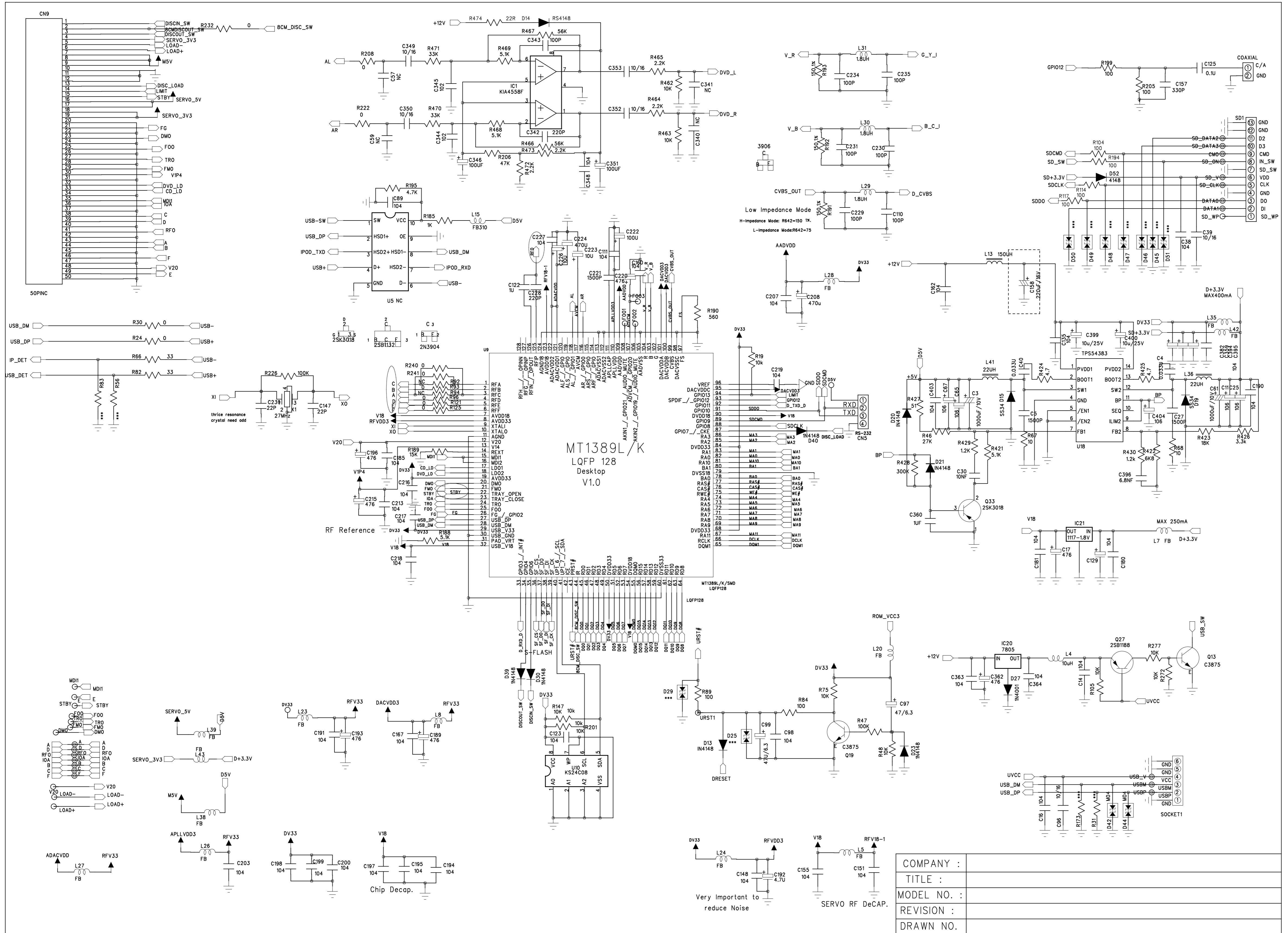
| | | | |
|---|------------|------------|---------|
| HuiZhou DESAY Electronic Limited | | | |
| MODEL: | | FILE NAME: | |
| PART NO: | DRN./DATE: | REV: | UPDATE: |
| PART NAME: | CHK./DATE: | 01 | 03 |
| DRAWG NO: | APP./DATE: | 02 | 04 |



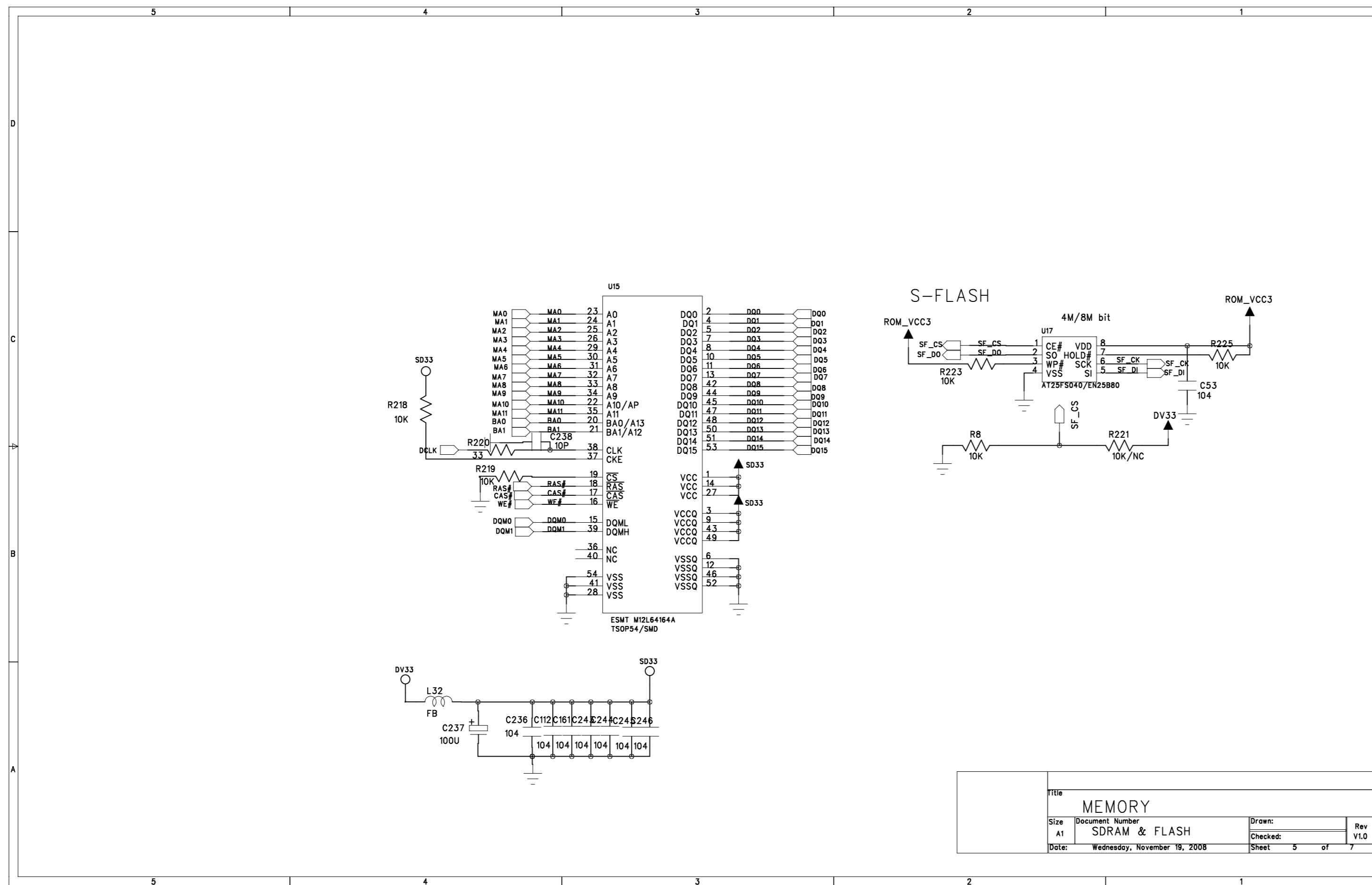
SW SCH



| | | | | | |
|---|------------|------|---------|------------|---------|
| HuiZhou DESAY Electronic Limited | | | | | |
| MODEL: | | | | FILE NAME: | |
| | | | | FILE NO: | |
| PART NO: | DRN./DATE: | REV: | UPDATE: | REV: | UPDATE: |
| PART NAME: | CHK./DATE: | 01 | | 03 | |
| DRAWG NO: | APP./DATE: | 02 | | 04 | |

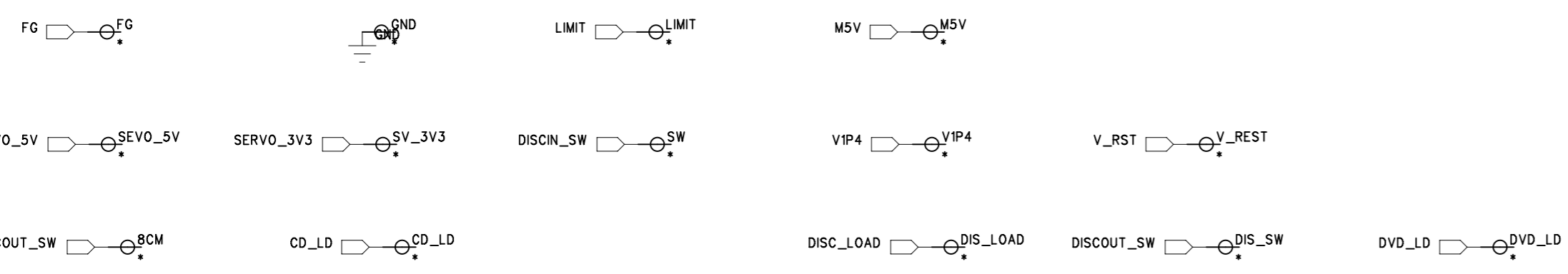
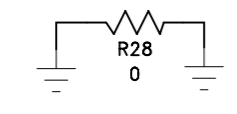
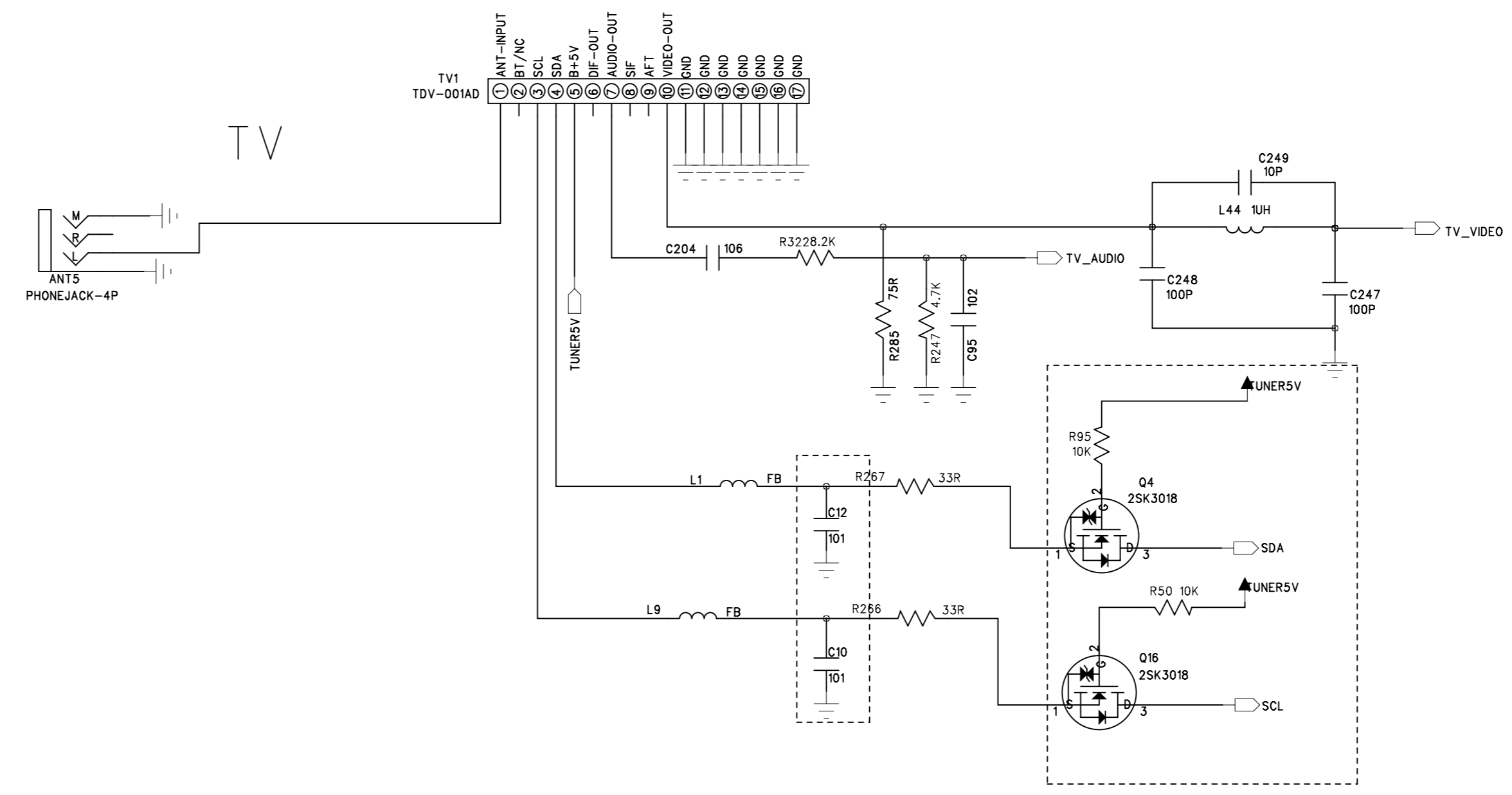
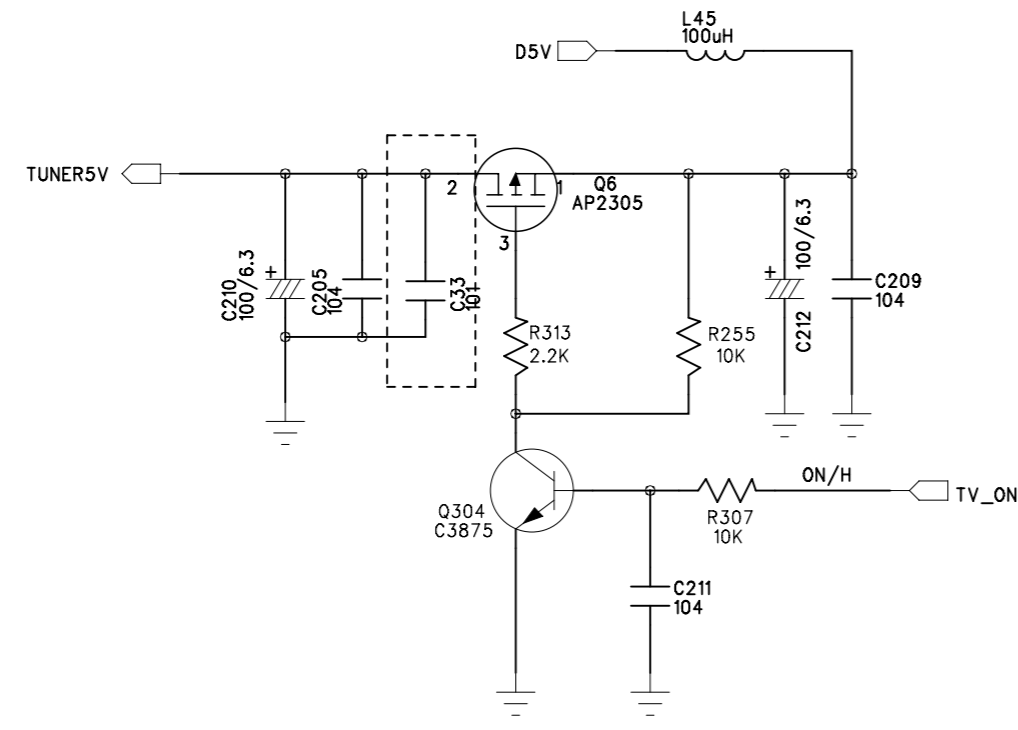


| | |
|-------------|--|
| COMPANY : | |
| TITLE : | |
| MODEL NO. : | |
| REVISION : | |
| DRAWN NO. | |



| | | | |
|--------|------------------------------|----------|--------|
| MEMORY | | | |
| Size | Document Number | Drawn: | Rev |
| A1 | SDRAM & FLASH | Checked: | V1.0 |
| Date: | Wednesday, November 16, 2008 | Sheet: | 5 of 7 |

| REVISION RECORD | | | |
|-----------------|---------|-----------|-------|
| LTR | ECO NO: | APPROVED: | DATE: |
| | | | |
| | | | |
| | | | |



COMPANY: <Company Name>

TITLE: <Title>

| | | | | | |
|--------------------------|-----------------------|----------------------------|---------------|-------------|------|
| DRAWN: <Drawn By> | DATED: <Drawn Date> | CODE: | SIZE: | DRAWING NO: | REV: |
| CHECKED: <Checked By> | DATED: <Checked Date> | A1 Drawing Number Revision | | | |
| QUALITY CONTROL: <QC By> | DATED: <QC Date> | | | | |
| RELEASED: <Released By> | DATED: <Release Date> | SCALE: <Scale> | SHEET: 6 OF 7 | | |

6

5

4

3

2

1

| REVISION RECORD | | | |
|-----------------|---------|-----------|-------|
| LTR | ECO NO: | APPROVED: | DATE: |
| | | | |
| | | | |
| | | | |

D

D

C

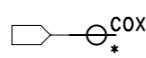
C

B

B

A

A

\$\$\$22608  60x

| | | | | | |
|-----------------------------|--|--------------------------|--|---------------------------------|-----------------|
| DRAWN: <Drawn By> | | DATED: <Drawn Date> | | COMPANY: <Company Name> | |
| CHECKED: <Checked By> | | DATED: <Checked Date> | | TITLE: <Title> | |
| QUALITY CONTROL: <QC By> | | DATED: <QC Date> | | CODE: <Code> | SIZE: <Size> |
| RELEASED: <Released By> | | DATED: <Release Date> | | DRAWING NO: <Drawing Number> | |
| | | SCALE: <Scale> | | REV: <Revision> | |
| | | | | SHEET: 7 of 7 | |