



CT-X420 YU(ST)

CT-X410 YU(ST)

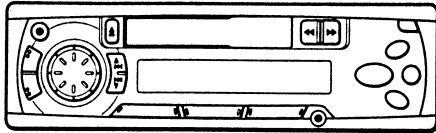
CT-X4150YL(ST)

CT-X4100YL(ST)

CT-X325 YVJ(ST)

CT-X320 YZ(ST),YVJ(ST)

CT-X310 YZ(ST)



SERVICE MANUAL

STEREO CAR CASSETTE RECEIVER

BASIC TAPE MECHANISM : CDS-363AG1-A

This Service Manual is the "Revision Publishing" and replaces "Simple Manual"
CT-X420 YU(ST)/X410 YU(ST)(S/M Code No.09-003-339-2T1),
CT-X310 YZ(ST)/X325 YVJ(ST)/X320 YZ(ST),YVJ(ST)/X4100 YL(ST)/X4150 YL(ST)
(S/M Code No.09-003-339-1T2).

aiwa

S/M Code No. 09-003-339-2R1

REVISION
DATA

SPECIFICATIONS

RADIO SECTION

(FM)

| | |
|--------------------------------|---|
| Frequency Range: | 87.5 MHz–108 MHz (100-kHz steps) 87.5 MHz–108 MHz [Except YV] 65 MHz–74 MHz [YV] (50-kHz steps) |
| Usable Sensitivity: | 12.7 dBf |
| 50 dB Quieting Sensitivity: | 17.2 dBf |
| IF Rejection: | 80 dB |
| Frequency Response: | 30 Hz-15,000 Hz |
| S/N Ratio: | 63 dB |
| Stereo Separation: | 35 dB at 1 kHz |
| Alternate Channel Selectivity: | 70 dB |
| Capture Ratio: | 3 dB |

(AM(MW)) [YU]

| | |
|---------------------|---|
| Frequency Range: | 530 kHz–1,710 kHz (10-kHz steps) 531 kHz–1,602 kHz (9-kHz steps) |
| Usable Sensitivity: | 30 μV (30 dB) |

(MW) [YZ, YV]

| | |
|---------------------|---|
| Frequency Range: | 531 kHz–1,620 kHz (9-kHz steps) 530 kHz–1,710 kHz (10-kHz steps) |
| Usable Sensitivity: | 30 μV (30 dB) |

(LW) [YZ, YV]

| | |
|---------------------|--|
| Frequency Range: | 144 kHz–288 kHz (1-kHz/9-kHz steps) |
| Usable Sensitivity: | 30 μV (30 dB) |

TAPE SECTION

| | |
|---------------------|---|
| Tape Speed: | 4.8 cm/sec. (1 ⁷ / ₈ ips) |
| S/N Ratio: | 50 dB |
| Frequency Response: | 40 Hz–14,000 Hz |
| Stereo Separation: | 40 dB |
| FF/REW Time: | 190 sec. (C-60) |

AUDIO SECTION

| | |
|--------------------|-------------------|
| Max. Power Output: | 40 W x 4 channels |
|--------------------|-------------------|

CD/MD IN input

| | |
|------------------------------------|----------------|
| Input sensitivity (load impedance) | |
| CD/MD IN: | 300 mV (10 kΩ) |

GENERAL

| | |
|---|--|
| Power-Supply Voltage: | 14.4 V (11 to 16 V allowable), DC, negative ground |
| Load Impedance: | 4Ω |
| Tone Control: | Bass ± 10 dB at 100 Hz Treble ± 10 dB at 10 kHz |
| Preamp Output Voltage (load impedance): | 2.2 V (10 kΩ) |
| Installation size: | 182(W) x 53(H) x 155(D) mm (7 ¹ / ₄ (W) x 2 ¹ / ₈ (H) x 6 ¹ / ₈ (D) inches) |

• Design and specifications are subject to change without notice.

ACCESSORIES LIST

DESCRIPTIONで判断できない物は "REFERENCE NAME LIST" を参照してください。
If can't understand for Description please kindly refer to "REFERENCE NAME LIST".

| REF. NO | PART NO. | KANRI NO. | DESCRIPTION | REF. NO | PART NO. | KANRI NO. | DESCRIPTION |
|---------|----------------|--------------------------|-----------------------------------|---------|----------------|-----------|------------------------------|
| 1 | 8A-KTG-903-010 | IB, YL (3L) | 4100, 4150<G, H> | 9 | 8Z-KT1-251-010 | | S-SCREW, 5*6 TH+ TAPPING ST |
| 1 | 8A-KTG-902-010 | IB, YU (3L) | 410 | 10 | 88-KT1-247-010 | | S-SCREW, HEXAGON |
| 1 | 8A-KTG-901-010 | IB, YU (3L) | 420<A> | 11 | 88-KT1-250-010 | | S-SCREW, THIN HEAD+2.6-4 BLK |
| 1 | 8A-KTG-906-010 | IB, YV (ER) | 320<D, F> | 12 | 8A-KTG-951-010 | | SPKR, 13CM ASSY<D> |
| 1 | 8A-KTG-905-010 | IB, YZ (9L) | 320<C, E> | 13 | 8Z-KTG-951-010 | | SPKR, 16CM ASSY<H> |
| 2 | 8A-KTG-904-010 | IB, INST, SP (3L, P) | -A<H> | 14 | 87-B10-143-010 | | UT1+5-15 W/O SLOT |
| 2 | 8A-KTG-907-010 | IB, INST, SP (ER) | -A<D> | 15 | 87-B10-144-010 | | W, 5.2-10-0.5 |
| 2 | 8A-KT5-902-010 | IB, INST, YU, YL (3L, P) | <A, B, G, H> | 16 | 87-B10-145-010 | | W-SPR, 5.3-8.5-1.5 |
| 2 | 8A-KT3-902-010 | IB, INST, YZ (9L) | -A<C, D, E, F> | | | | |
| 3 | 86-KT1-237-010 | | HLD, REAR MTG | | | | |
| 4 | 8Z-KT1-231-010 | | HLD, HALF -T | | | | |
| 5 | 8Z-KT1-625-010 | | CONN ASSY, 16P SOC016<A, B, G, H> | | | | |
| 6 | 8Z-KT1-030-010 | | CASE, DFP -T | | | | |
| 7 | 8Z-KT1-232-010 | | KEY, REMOVE -T | | | | |
| 8 | 87-B10-141-010 | | NUT, 5 TYPE-2 | | | | |

| TYPE | MODEL NAME | SUFFIX |
|------|------------|--------|
| A | CT-X420 | YU |
| B | CT-X410 | YU |
| C | CT-X310 | YZ |
| D | CT-X325 | YV |
| E | CT-X320 | YZ |
| F | CT-X320 | YV |
| G | CT-X4100 | YL |
| H | CT-X4150 | YL |

ELECTRICAL MAIN PARTS LIST

DESCRIPTIONで判断できない物は "REFERENCE NAME LIST" を参照してください。
 If can't understand for Description please kindly refer to "REFERENCE NAME LIST".

| REF. NO | PART NO. | KANRI NO. | DESCRIPTION | REF. NO | PART NO. | KANRI NO. | DESCRIPTION |
|------------|----------------|---------------------------------|-------------|---------|----------------|-----------|----------------------------|
| IC | | | | C304 | 87-010-378-010 | | CAP, ELECT 10-16SME |
| | 8Z-KT1-622-010 | C-IC,LC75374E | | C305 | 87-010-263-010 | | CAP, ELECT 100-10V |
| | 8Z-KTG-622-010 | IC,TA8259H | | C306 | 87-010-263-010 | | CAP, ELECT 100-10V |
| | 87-A21-539-030 | C-IC,TC9323F | | C307 | 87-012-365-080 | | C-CAP,S 0.027-25VBK |
| | 87-A21-191-010 | IC,KIA6225S | | C308 | 87-012-365-080 | | C-CAP,S 0.027-25VBK |
| | 87-A21-441-010 | C-IC,TC9297FB | | C309 | 87-010-401-010 | | CAP, ELECT 1-50V |
| TRANSISTOR | | | | C310 | 87-010-401-010 | | CAP, ELECT 1-50V |
| | 89-423-953-010 | TR,2SD2395FY | | C311 | 87-010-263-010 | | CAP, ELECT 100-10V |
| | 87-A30-468-040 | C-TR,KRC102S-RTK | | C312 | 87-010-401-010 | | CAP, ELECT 1-50V |
| | 87-026-576-080 | C-TR,DTC343TK | | C313 | 87-010-401-010 | | CAP, ELECT 1-50V |
| | 87-A30-470-040 | C-TR,KTC3875SY-RTK | | C314 | 87-010-380-010 | | CAP,E 47-16 SME |
| | 87-A30-471-040 | C-TR,KTA1504SY-RTK | | C315 | 87-A11-128-080 | | CAP, CER 4700P |
| | 8Z-KTH-626-080 | TR,KTC3203Y | | C316 | 87-A11-128-080 | | CAP, CER 4700P |
| | 8Z-KTH-627-080 | TR,KTA1273Y | | C401 | 87-010-380-010 | | CAP,E 47-16 SME |
| | 87-A30-476-010 | TR,KTA1046Y | | C402 | 87-010-196-080 | | CHIP CAPACITOR,0.1-25 |
| | 87-A30-487-080 | TR,KRC111M-AT | | C403 | 87-010-401-010 | | CAP, ELECT 1-50V |
| | 87-A30-295-010 | TR,KRA226M | | C404 | 87-010-401-010 | | CAP, ELECT 1-50V |
| | 87-A30-473-080 | TR,KRC102M-AT | | C405 | 87-010-401-010 | | CAP, ELECT 1-50V |
| | 87-A30-475-080 | TR,KRA104M-AT | | C406 | 87-010-401-010 | | CAP, ELECT 1-50V |
| | 8Z-KTH-623-080 | TR,KTA1267Y<C,D,E,F> | | C407 | 87-010-184-080 | | CHIP CAPACITOR 3300P(K) |
| | 87-A30-467-040 | C-TR,KRA111S-RTK | | C408 | 87-010-184-080 | | CHIP CAPACITOR 3300P(K) |
| | 87-A30-469-040 | C-TR,KRC111S-RTK | | C409 | 87-010-198-080 | | CAP, CHIP 0.022 |
| | 87-A30-472-040 | C-TR,KRA226S-RTK | | C410 | 87-010-198-080 | | CAP, CHIP 0.022 |
| DIODE | | | | C411 | 87-010-378-010 | | CAP, ELECT 10-16SME |
| | 87-020-465-080 | DIODE,1SS133 (110MA) | | C412 | 87-010-378-010 | | CAP, ELECT 10-16SME |
| | 87-A40-798-010 | DIODE,1N5402GW(3A/200V) | | C413 | 87-A11-177-080 | | C-CAP,S 0.15-16 K B |
| | 87-001-783-080 | DIODE,1N4002 | | C414 | 87-A11-177-080 | | C-CAP,S 0.15-16 K B |
| | 87-017-932-080 | ZENER,MTZJ6.2B | | C415 | 87-A11-177-080 | | C-CAP,S 0.15-16 K B |
| | 87-070-334-080 | ZENER,MTZJ10B | | C416 | 87-A11-177-080 | | C-CAP,S 0.15-16 K B |
| | 87-A40-337-080 | ZENER,MTZJ 6.8B | | C417 | 87-010-378-010 | | CAP, ELECT 10-16SME |
| | 87-A40-523-080 | ZENER,MTZJ9.1B | | C418 | 87-010-378-010 | | CAP, ELECT 10-16SME |
| | 87-A40-830-040 | DIODE,KDS226-RTK | | C419 | 87-010-401-010 | | CAP, ELECT 1-50V |
| | 87-020-585-080 | CHIP-ZENER,02CZ6.2Y | | C420 | 87-010-401-010 | | CAP, ELECT 1-50V |
| | 87-A40-819-040 | C-ZENER,STZ6.8T | | C421 | 87-010-401-010 | | CAP, ELECT 1-50V |
| MAIN C.B | | | | C422 | 87-010-401-010 | | CAP, ELECT 1-50V |
| ANT101 | 8Z-KT1-614-010 | ANT,AW-002 | | C424 | 87-010-378-010 | | CAP, ELECT 10-16SME |
| C101 | 87-018-119-080 | CAP, CER 100P-50V | | C425 | 87-010-196-080 | | CHIP CAPACITOR,0.1-25 |
| C102 | 87-018-134-080 | CAPACITOR,TC-U 0.01-16 | | C426 | 87-010-196-080 | | CHIP CAPACITOR,0.1-25 |
| C103 | 87-010-380-010 | CAP,E 47-16 SME | | C451 | 87-010-401-010 | | CAP, ELECT 1-50V |
| C104 | 87-010-380-010 | CAP,E 47-16 SME | | C452 | 87-010-401-010 | | CAP, ELECT 1-50V |
| C105 | 87-018-134-080 | CAPACITOR,TC-U 0.01-16 | | C501 | 87-010-378-010 | | CAP, ELECT 10-16SME<A> |
| C106 | 87-018-134-080 | CAPACITOR,TC-U 0.01-16 | | C502 | 87-010-378-010 | | CAP, ELECT 10-16SME<A> |
| C109 | 87-018-134-080 | CAPACITOR,TC-U 0.01-16 | | C503 | 87-010-378-010 | | CAP, ELECT 10-16SME |
| C110 | 87-018-134-080 | CAPACITOR,TC-U 0.01-16 | | C504 | 87-010-378-010 | | CAP, ELECT 10-16SME |
| C111 | 87-010-402-080 | CAP, ELECT 2.2-50V | | C505 | 87-010-175-080 | | CAP 560P<A> |
| C112 | 87-018-205-080 | CAP, CERA-SOL 0.022 | | C506 | 87-010-175-080 | | CAP 560P<A> |
| C119 | 87-010-194-080 | CAP, CHIP 0.047 | | C507 | 87-010-175-080 | | CAP 560P |
| C120 | 87-010-194-080 | CAP, CHIP 0.047 | | C508 | 87-010-175-080 | | CAP 560P |
| C121 | 87-018-134-080 | CAPACITOR,TC-U 0.01-16 | | C601 | 87-016-083-080 | | C-CAP,S 0.15-16 RK |
| C122 | 87-018-134-080 | CAPACITOR,TC-U 0.01-16 | | C602 | 87-016-083-080 | | C-CAP,S 0.15-16 RK |
| C123 | 87-010-380-010 | CAP,E 47-16 SME | | C603 | 87-016-083-080 | | C-CAP,S 0.15-16 RK |
| C124 | 87-018-209-080 | CAP, CER 0.1-50V | | C604 | 87-016-083-080 | | C-CAP,S 0.15-16 RK |
| C201 | 87-018-209-080 | CAP, CER 0.1-50V | | C605 | 87-018-209-080 | | CAP, CER 0.1-50V |
| C203 | 87-018-132-010 | CAP CER CYL SS 2200P | | C607 | 87-A11-179-010 | | CAP,E 10-16-105 D5*L11 KMF |
| C204 | 87-018-205-080 | CAP, CERA-SOL 0.022 | | C608 | 8Z-KT1-633-090 | | CAP,E 3300U-16 PW |
| C205 | 87-010-263-010 | CAP, ELECT 100-10V | | C609 | 87-010-180-080 | | C-CER 1500P |
| C208 | 87-010-112-010 | CAP,ELECT 100-16V | | C610 | 87-010-180-080 | | C-CER 1500P |
| C211 | 87-010-378-010 | CAP, ELECT 10-16SME | | C611 | 87-010-180-080 | | C-CER 1500P |
| C213 | 87-010-380-010 | CAP,E 47-16 SME | | C612 | 87-010-180-080 | | C-CER 1500P |
| C214 | 87-018-134-080 | CAPACITOR,TC-U 0.01-16<C,D,E,F> | | C701 | 87-010-380-010 | | CAP,E 47-16 SME |
| C215 | 87-018-209-080 | CAP, CER 0.1-50V | | C702 | 87-010-248-010 | | CAP, ELECT 100-10V |
| C301 | 87-018-131-080 | CAP, CER 1000P-50V | | C703 | 87-010-198-080 | | CAP, CHIP 0.022 |
| C302 | 87-018-131-080 | CAP, CER 1000P-50V | | C705 | 87-010-314-080 | | C-CAP,S 22P-50V |
| C303 | 87-010-378-010 | CAP, ELECT 10-16SME | | C706 | 87-010-197-080 | | CAP, CHIP 0.01 DM |
| | | | | C707 | 87-010-315-080 | | C-CAP,S 27P-50 CH |
| | | | | C708 | 87-010-314-080 | | C-CAP,S 22P-50V |
| | | | | C709 | 87-016-526-080 | | C-CAP,S 0.47-16 BK |
| | | | | C710 | 87-010-401-010 | | CAP, ELECT 1-50V |
| | | | | C711 | 87-010-404-010 | | CONDENSER 4.7-50 |
| | | | | C712 | 87-012-349-080 | | C-CAP,S 1000P-50 CH |

| REF. NO | PART NO. | KANRI NO. | DESCRIPTION | REF. NO | PART NO. | KANRI NO. | DESCRIPTION |
|---------|----------------|-----------|------------------------------------|-----------|----------------|-----------|-----------------------|
| C713 | 87-016-526-080 | | C-CAP,S 0.47-16 BK | FRONT C.B | | | |
| C714 | 87-016-526-080 | | C-CAP,S 0.47-16 BK | C901 | 87-012-358-080 | | C-CAP,S 0.47-10 F Z |
| C715 | 87-016-669-080 | | C-CAP,S 0.1-25 K B | C902 | 87-010-197-080 | | CAP, CHIP 0.01 DM |
| C716 | 87-016-669-080 | | C-CAP,S 0.1-25 K B | CN901 | 88-KTA-602-010 | | CONN, 15P CAM-B67 |
| C717 | 87-010-248-010 | | CAP, ELECT 100-10V | D907 | 87-017-827-070 | | C-LED, SEC 1201C RED |
| C801 | 87-018-134-080 | | CAPACITOR, TC-U 0.01-16 | D908 | 87-017-827-070 | | C-LED, SEC 1201C RED |
| C802 | 87-018-209-080 | | CAP, CER 0.1-50V | D909 | 87-017-827-070 | | C-LED, SEC 1201C RED |
| C803 | 87-018-209-080 | | CAP, CER 0.1-50V | D910 | 87-A40-813-040 | | C-LED, SEC1E01C BLUE |
| C804 | 87-012-349-080 | | C-CAP,S 1000P-50 CH | D911 | 87-A40-813-040 | | C-LED, SEC1E01C BLUE |
| C805 | 87-012-349-080 | | C-CAP,S 1000P-50 CH | D912 | 87-A40-813-040 | | C-LED, SEC1E01C BLUE |
| CN201 | 8Z-KT1-624-010 | | CONN, 16P SOC017<A,B,G,H> | LCD901 | 8A-KTG-612-010 | | LCD, AKT-16-17<F> |
| CN301 | 87-009-031-010 | | CONNECTOR, 3P | LCD901 | 8A-KTG-610-010 | | LCD, AKT-16-17<F> |
| CN302 | 87-099-408-010 | | CONN, 8P EH V WHT | PL901 | 8A-KT7-655-010 | | LAMP, 9V-50MA |
| CN801 | 88-KTA-603-010 | | CONN, 15P CAM-B68 | PL902 | 8A-KT7-655-010 | | LAMP, 9V-50MA |
| CNA201 | 8A-KT1-631-010 | | CONN ASSY, 8P ISO-BLACK-A<C,D,E,F> | S901 | 87-036-251-080 | | SW, T CT 6X3.5 160 |
| CNA202 | 8A-KT1-632-010 | | CONN ASSY, 8P ISO-WHITE-A<C,D,E,F> | S902 | 87-036-251-080 | | SW, T CT 6X3.5 160 |
| CNA301 | 8Z-KTG-651-010 | | CONN ASSY, 3P HEAD | S903 | 87-036-251-080 | | SW, T CT 6X3.5 160 |
| CNA302 | 8Z-KTG-652-010 | | CONN ASSY, 8P MOTOR | S904 | 87-036-251-080 | | SW, T CT 6X3.5 160 |
| D806 | 87-027-262-010 | | LEDE, TLR-124 (RED) | S905 | 87-A90-001-080 | | C-SW, TACT SKQMAL |
| F201 | 8Z-KC1-621-010 | | FUSE, 15A 32V | S906 | 87-036-251-080 | | SW, T CT 6X3.5 160 |
| J501 | 87-A61-225-010 | | JACK, PIN 2P XR-401<EXCEPT A> | S907 | 87-036-251-080 | | SW, T CT 6X3.5 160 |
| J501 | 87-A61-224-010 | | JACK, PIN 4P XR-401<A> | S908 | 87-036-251-080 | | SW, T CT 6X3.5 160 |
| L101 | 87-003-143-080 | | COIL 4.7 UH | S909 | 87-036-251-080 | | SW, T CT 6X3.5 160 |
| L102 | 8Z-KT1-619-010 | | COIL, 68MH K7-D | S910 | 87-036-251-080 | | SW, T CT 6X3.5 160 |
| L201 | 8Z-KT1-615-010 | | FLTR, AMORPHOUS -CHOKO | S911 | 87-A90-001-080 | | C-SW, TACT SKQMAL |
| L451 | 87-003-143-080 | | COIL 4.7 UH | S912 | 87-A90-001-080 | | C-SW, TACT SKQMAL |
| L701 | 87-003-149-080 | | COIL, 47UH | S913 | 87-036-251-080 | | SW, T CT 6X3.5 160 |
| L702 | 87-003-097-080 | | COIL, 1UH | S915 | 87-A90-001-080 | | C-SW, TACT SKQMAL |
| L801 | 87-003-149-080 | | COIL, 47UH | S916 | 87-A90-001-080 | | C-SW, TACT SKQMAL |
| S751 | 87-A91-152-010 | | SW, SL 1-1-2 SSSS212-11-A | VR101 | 87-A91-597-010 | | SW, RTRY SIM-026MT |
| TUN101 | 8A-KC8-620-010 | | TU UNIT, FAE347-A11<C,E> | W901 | 8A-KT9-611-010 | | F-CABLE, 3P 50MM |
| TUN101 | 8A-KC8-621-010 | | TU UNIT, FAE347-A12<A,B,G,H> | AUX C.B | | | |
| TUN101 | 8A-KTG-607-010 | | TU UNIT, FAE347-P10<D,F> | J901 | 87-A61-229-010 | | JACK, 3.5 BLK ST W/SW |
| X701 | 87-A70-175-010 | | VIB, XTAL 4.5MHZ AT-49 | | | | |

| TYPE | MODEL NAME | SUFFIX |
|------|------------|--------|
| A | CT-X420 | YU |
| B | CT-X410 | YU |
| C | CT-X310 | YZ |
| D | CT-X325 | YV |
| E | CT-X320 | YZ |
| F | CT-X320 | YV |
| G | CT-X4100 | YL |
| H | CT-X4150 | YL |

○チップ抵抗部品コード/CHIP RESISTOR PART CODE

チップ抵抗部品コードの成り立ち

Chip Resistor Part Coding



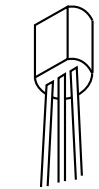
A
抵抗部品コード
Resistor Code

桁表示
Figure
抵抗値
Value of resistor

チップ抵抗
Chip resistor

| 容量 Wattage | 種類 Type | 許容誤差 Tolerance | 記号 Symbol | 寸法/Dimensions (mm) | | | 抵抗コード : A Resistor Code : A | |
|---------------|------------|-------------------|--------------|--------------------|-----|------|--------------------------------|-----|
| | | | | 外形/Form | L | W | | t |
| 1/16W | 1005 | ±5% | CJ | | 1.0 | 0.5 | 0.35 | 104 |
| 1/16W | 1608 | ±5% | CJ | | 1.6 | 0.8 | 0.45 | 108 |
| 1/10W | 2125 | ±5% | CJ | | 2 | 1.25 | 0.45 | 118 |
| 1/8W | 3216 | ±5% | CJ | | 3.2 | 1.6 | 0.55 | 128 |

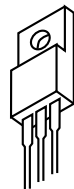
TRANSISTOR ILLUSTRATION



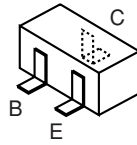
ECB
KTC3203



ECB
KRA104M
KRA226M
KRC102M
KRC111M
KTA1267
KTA1273



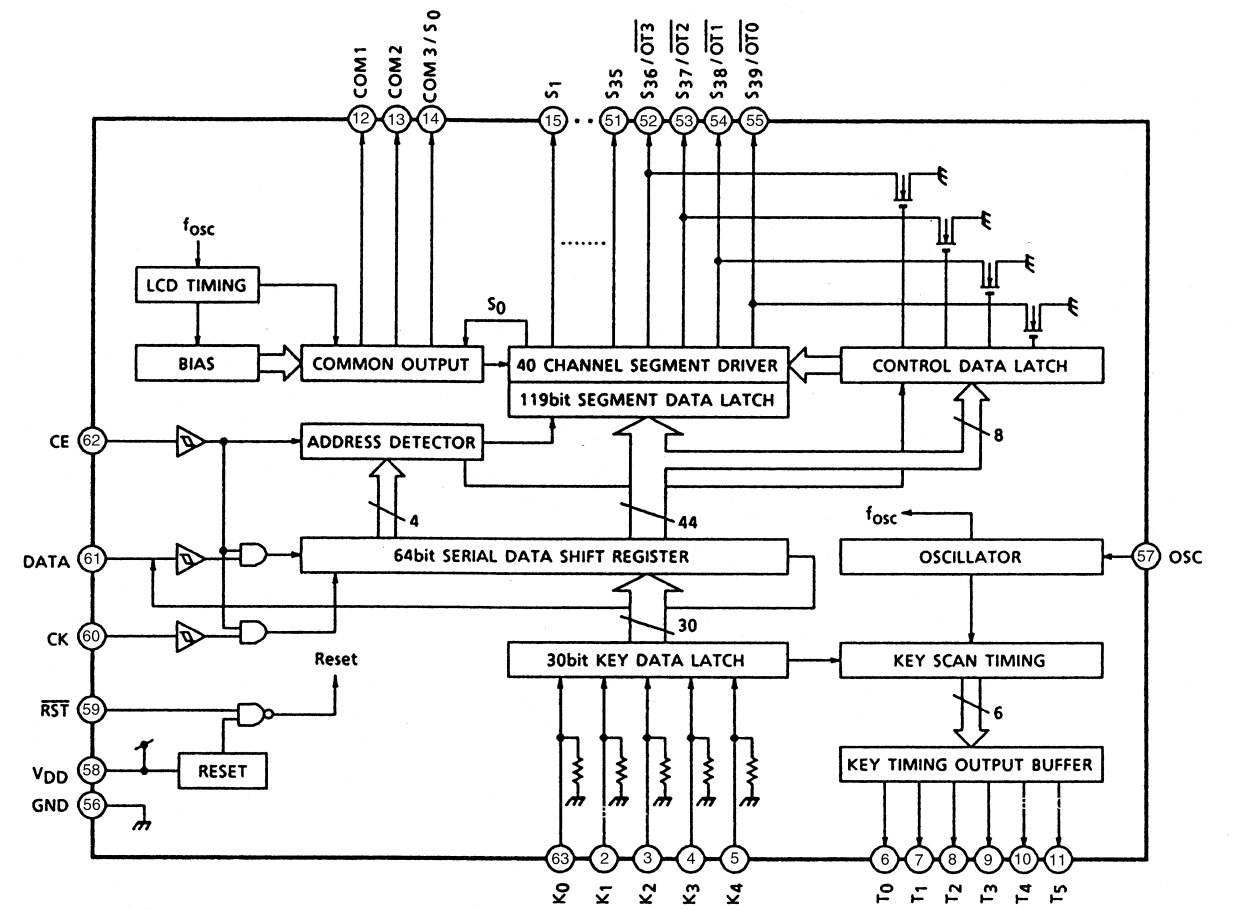
BCE
2SD2395
KTA1046



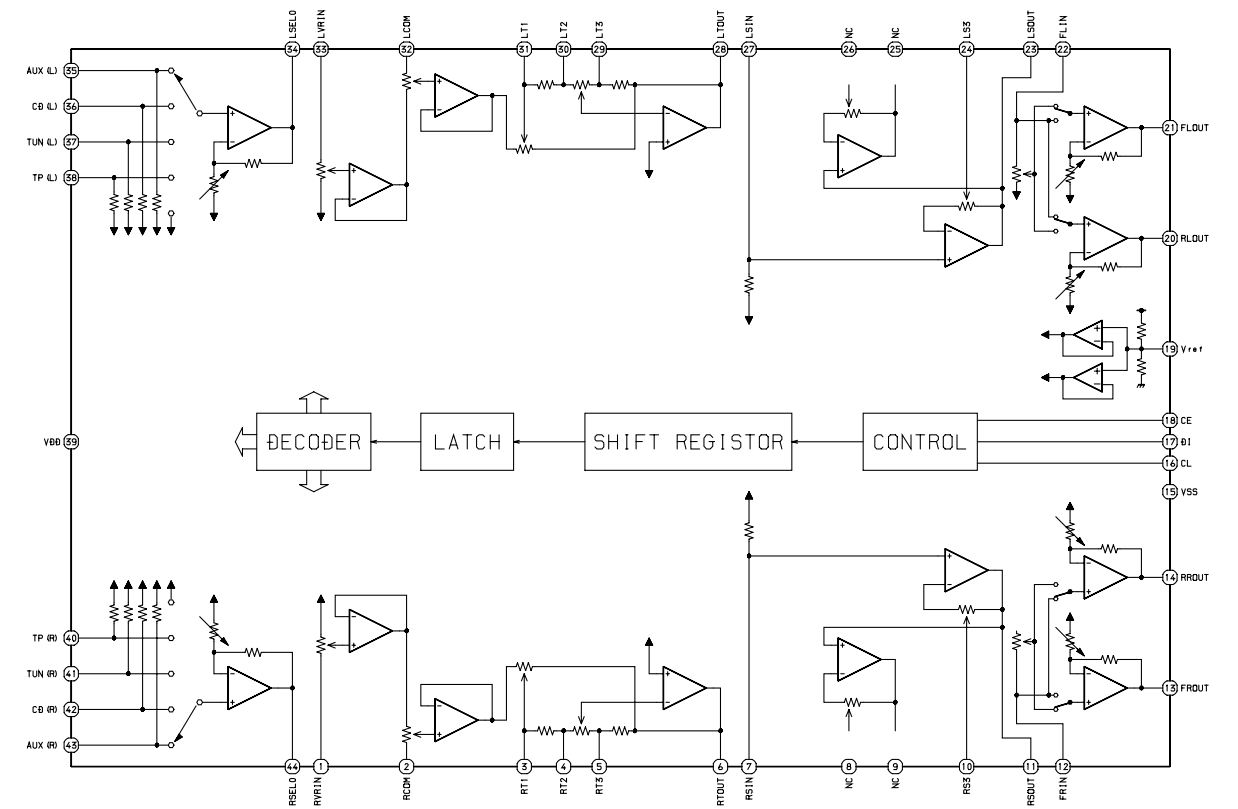
DTC
DTC343TK
KRA111S
KRA226S
KRC102S
KRC111S
KTA1504
KTC3875

IC BLOCK DIAGRAM-1

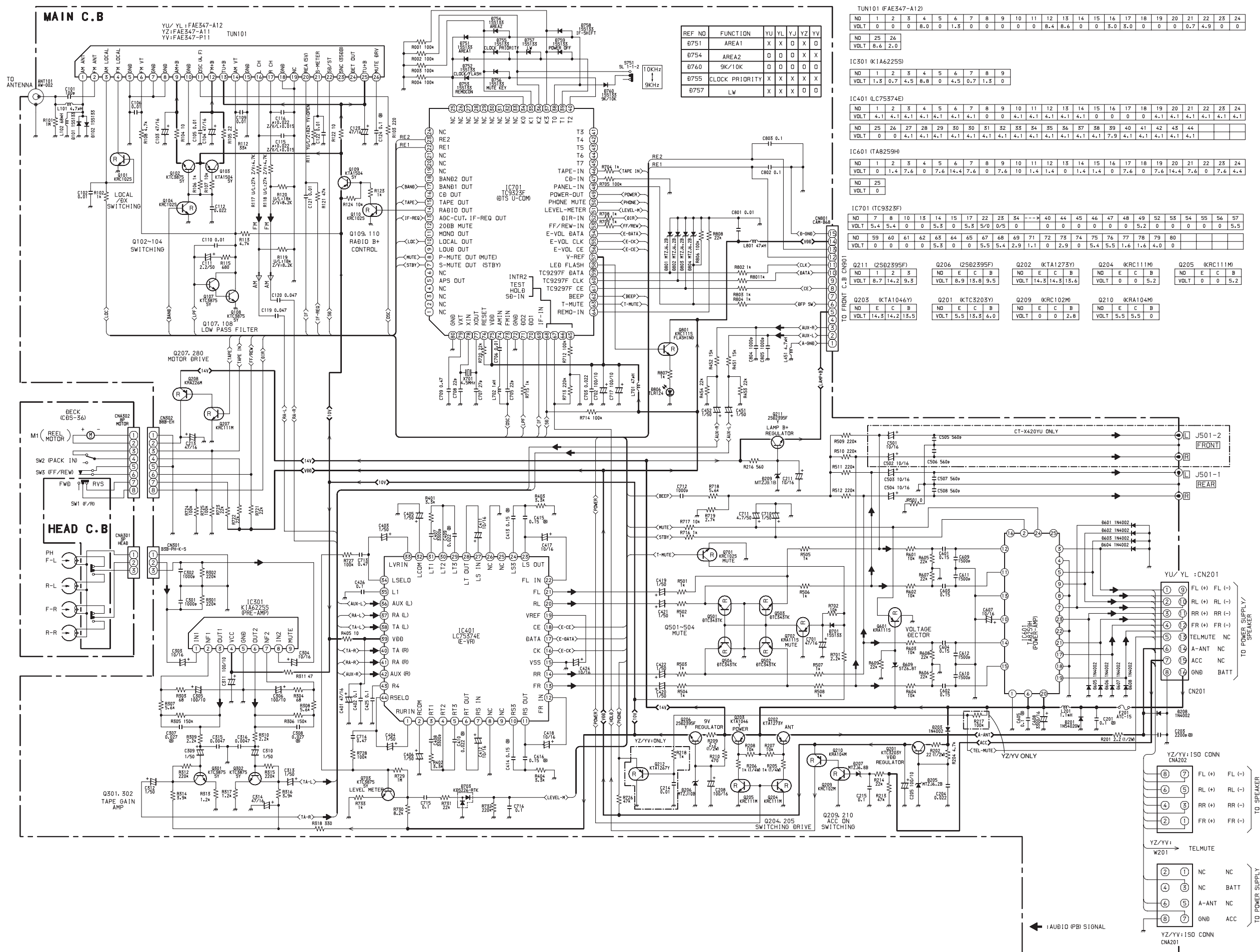
IC, TC9297FB



IC, LC75374E



SCHEMATIC DIAGRAM-1



| REF NO | FUNCTION | YU | YL | YJ | YZ | YV |
|--------|----------------|----|----|----|----|----|
| B751 | AREA1 | X | X | 0 | X | 0 |
| B754 | AREA2 | 0 | 0 | 0 | X | X |
| B760 | 9K/10K | 0 | 0 | 0 | 0 | 0 |
| B755 | CLOCK PRIORITY | X | X | X | X | X |
| B757 | LW | X | X | X | 0 | 0 |

| TUN101 (FAE347-A12) | | 1 | 2 | 3 | 4 | 5 | 6 | 7 | 8 | 9 | 10 | 11 | 12 | 13 | 14 | 15 | 16 | 17 | 18 | 19 | 20 | 21 | 22 | 23 | 24 | |
|---------------------|------|---|---|---|---|-----|---|-----|---|---|----|----|----|-----|-----|----|----|-----|-----|----|----|----|-----|-----|----|---|
| NO | VOLT | 0 | 0 | 0 | 0 | 8.0 | 0 | 1.3 | 0 | 0 | 0 | 0 | 0 | 8.4 | 8.6 | 0 | 0 | 3.0 | 3.0 | 0 | 0 | 0 | 0.7 | 4.9 | 0 | 0 |

| IC301 (K1A62255) | | 1 | 2 | 3 | 4 | 5 | 6 | 7 | 8 | 9 |
|------------------|------|-----|-----|-----|-----|---|-----|-----|-----|---|
| NO | VOLT | 1.3 | 0.7 | 4.5 | 8.8 | 0 | 4.5 | 0.7 | 1.3 | 0 |

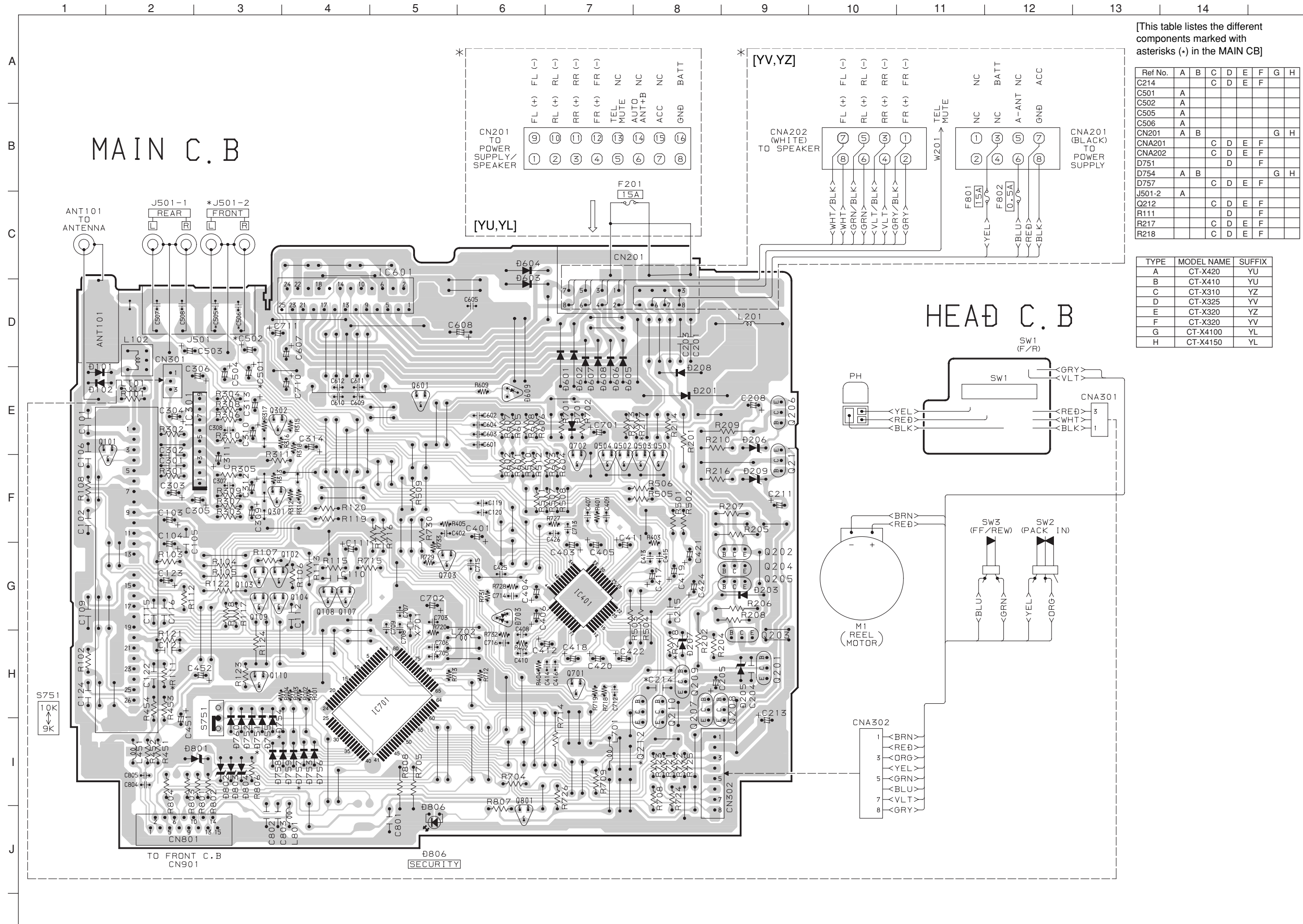
| IC401 (LC75374E) | | 1 | 2 | 3 | 4 | 5 | 6 | 7 | 8 | 9 | 10 | 11 | 12 | 13 | 14 | 15 | 16 | 17 | 18 | 19 | 20 | 21 | 22 | 23 | 24 |
|------------------|------|-----|-----|-----|-----|-----|-----|-----|---|---|-----|-----|-----|-----|-----|-----|-----|-----|-----|-----|-----|-----|-----|-----|-----|
| NO | VOLT | 4.1 | 4.1 | 4.1 | 4.1 | 4.1 | 4.1 | 4.1 | 0 | 0 | 4.1 | 4.1 | 4.1 | 4.1 | 4.1 | 4.1 | 4.1 | 4.1 | 4.1 | 4.1 | 4.1 | 4.1 | 4.1 | 4.1 | 4.1 |

| IC601 (TA8259H) | | 1 | 2 | 3 | 4 | 5 | 6 | 7 | 8 | 9 | 10 | 11 | 12 | 13 | 14 | 15 | 16 | 17 | 18 | 19 | 20 | 21 | 22 | 23 | 24 |
|-----------------|------|---|-----|-----|---|-----|------|-----|---|-----|----|-----|-----|----|-----|-----|----|-----|----|-----|------|-----|----|-----|-----|
| NO | VOLT | 0 | 1.4 | 7.6 | 0 | 7.6 | 14.4 | 7.6 | 0 | 7.6 | 10 | 1.4 | 1.4 | 0 | 1.4 | 1.4 | 0 | 7.6 | 0 | 7.6 | 14.4 | 7.6 | 0 | 7.6 | 4.4 |

| IC701 (TC9297F) | | 7 | 8 | 10 | 13 | 14 | 15 | 17 | 22 | 23 | 34 | 40 | 44 | 45 | 46 | 47 | 48 | 49 | 52 | 55 | 54 | 55 | 56 | 57 |
|-----------------|------|-----|-----|----|----|-----|----|-----|-----|-----|----|----|----|----|----|----|----|-----|----|----|----|----|----|-----|
| NO | VOLT | 5.4 | 5.4 | 0 | 0 | 5.3 | 0 | 5.3 | 5/0 | 0/5 | 0 | 0 | 0 | 0 | 0 | 0 | 0 | 5.2 | 0 | 0 | 0 | 0 | 0 | 5.5 |

| Q211 (2SB2395F) | | 1 | 2 | 3 | Q206 (2SB2395F) | | Q202 (KTA1273Y) | | Q204 (KRC111M) | | Q205 (KRC111M) | | | | | | | | | | | | | |
|-----------------|------|-----|------|-----|-----------------|---|-----------------|---|----------------|---|----------------|---|----|---|---|---|----|---|---|---|----|---|---|---|
| NO | VOLT | 8.7 | 14.2 | 9.3 | NO | E | C | B | NO | E | C | B | NO | E | C | B | NO | E | C | B | NO | E | C | B |
| | | | | | | | | | | | | | | | | | | | | | | | | |

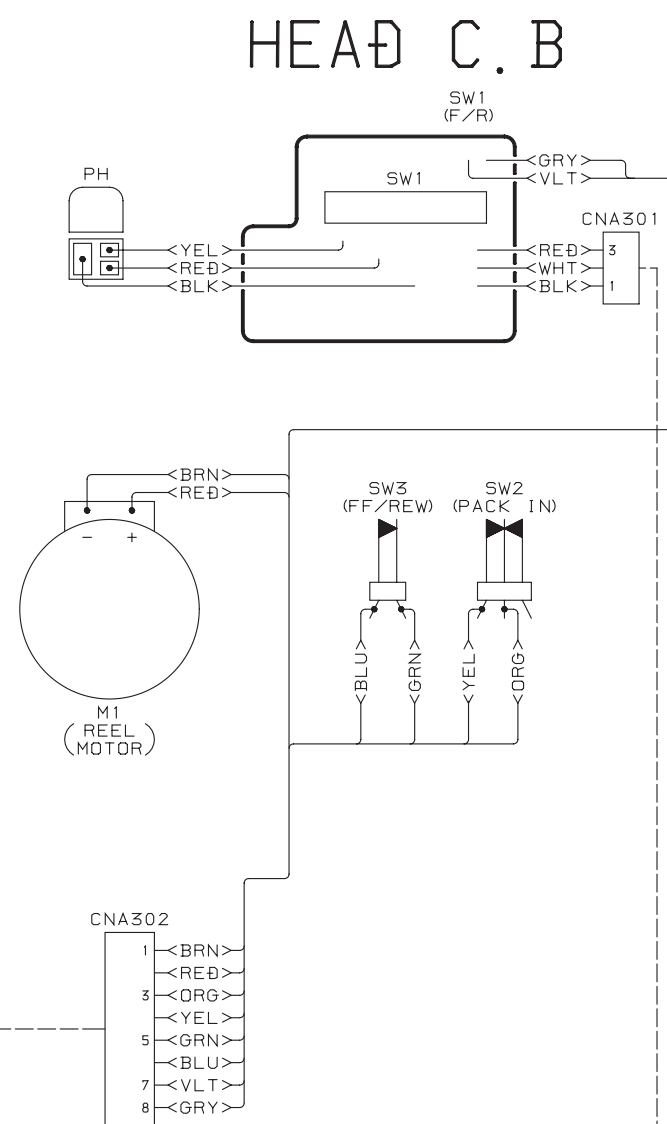
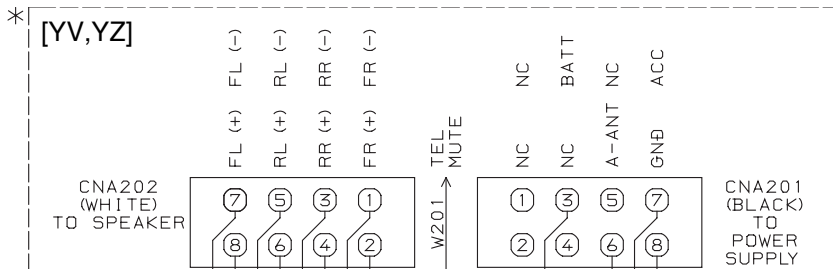
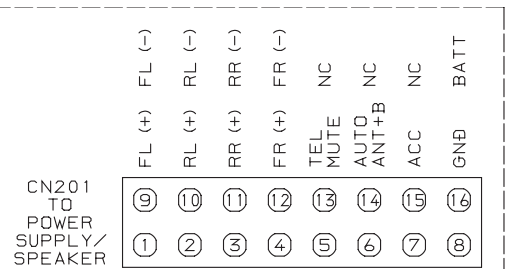
| Q203 (KTA1044Y) | | Q201 (KTC3203Y) | | Q209 (KRC102M) | | Q210 (KRA104M) | | | | | | | | | | | | | | | | | | |
|-----------------|------|-----------------|------|----------------|----|----------------|---|---|----|---|---|---|----|---|---|---|----|---|---|---|----|---|---|---|
| NO | VOLT | 14.3 | 14.2 | 13.5 | NO | E | C | B | NO | E | C | B | NO | E | C | B | NO | E | C | B | NO | E | C | B |
| | | | | | | | | | | | | | | | | | | | | | | | | |

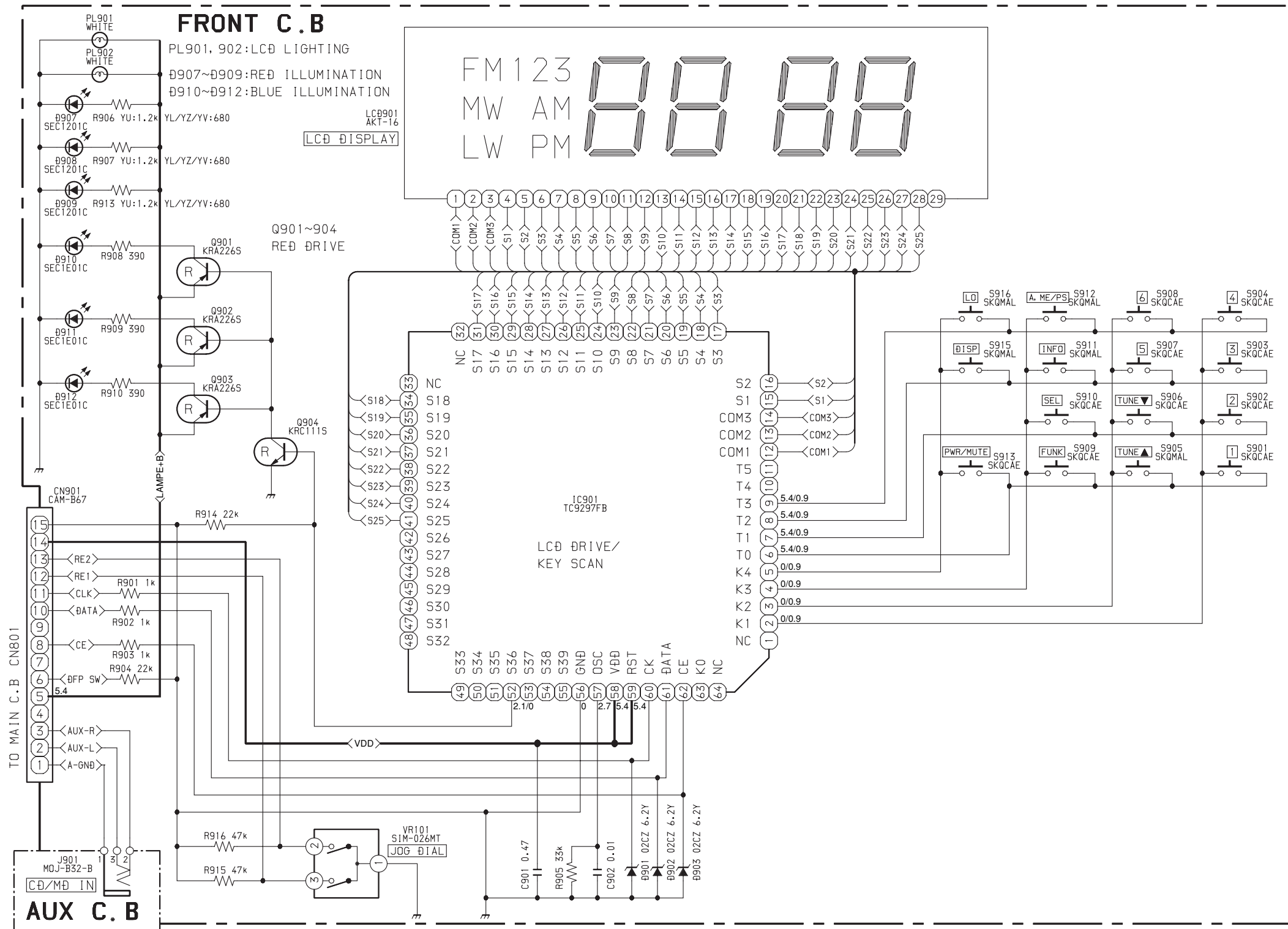


[This table lists the different components marked with asterisks (*) in the MAIN CB]

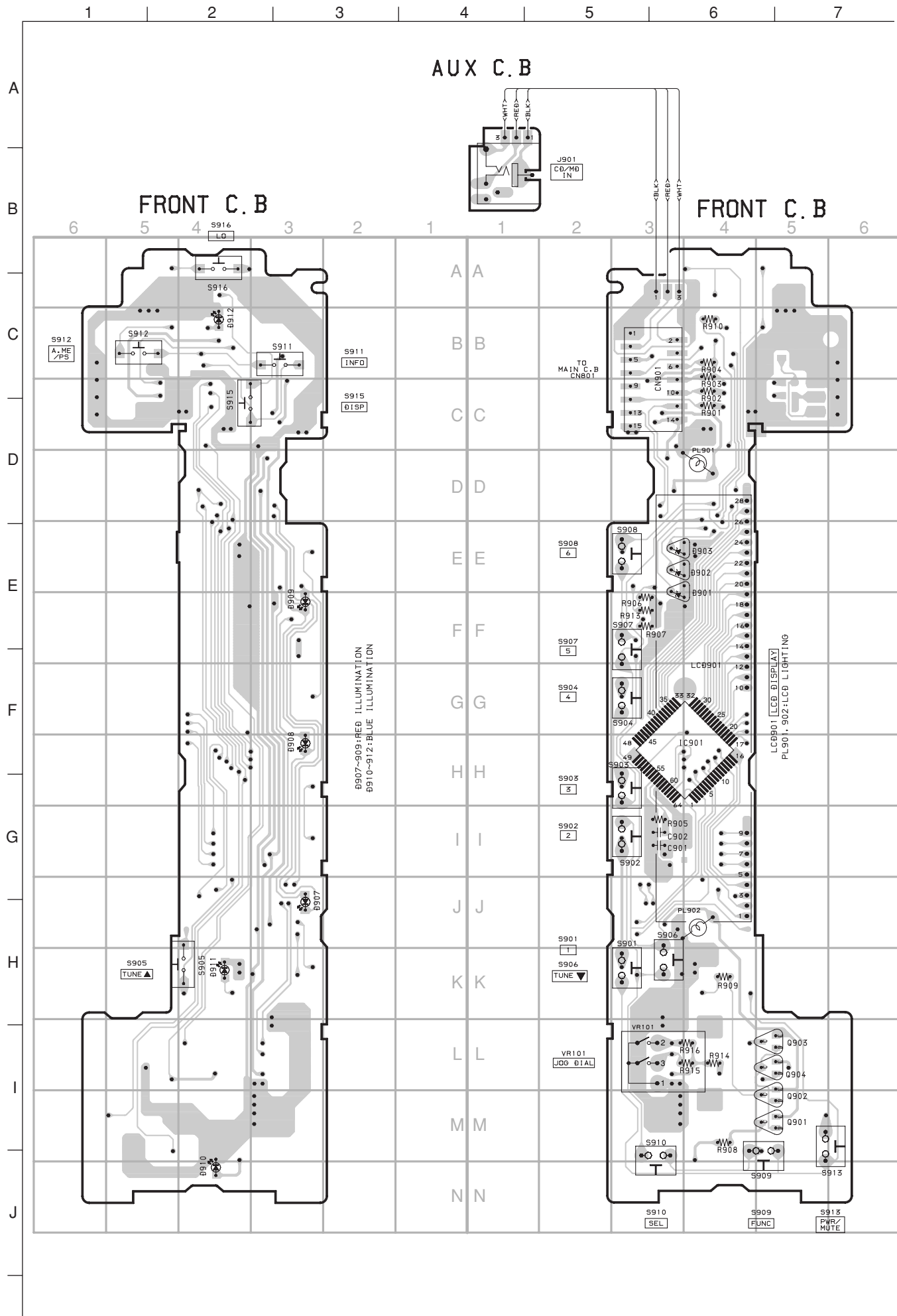
| Ref No. | A | B | C | D | E | F | G | H |
|---------|---|---|---|---|---|---|---|---|
| C214 | | | C | D | E | F | | |
| C501 | A | | | | | | | |
| C502 | A | | | | | | | |
| C505 | A | | | | | | | |
| C506 | A | | | | | | | |
| CN201 | A | B | | | | | G | H |
| CNA201 | | | C | D | E | F | | |
| CNA202 | | | C | D | E | F | | |
| D751 | | | | D | E | F | | |
| D754 | A | B | | | | | G | H |
| D757 | | | C | D | E | F | | |
| J501-2 | A | | | | | | | |
| Q212 | | | C | D | E | F | | |
| R111 | | | | D | E | F | | |
| R217 | | | C | D | E | F | | |
| R218 | | | C | D | E | F | | |

| TYPE | MODEL NAME | SUFFIX |
|------|------------|--------|
| A | CT-X420 | YU |
| B | CT-X410 | YU |
| C | CT-X310 | YZ |
| D | CT-X325 | YV |
| E | CT-X320 | YZ |
| F | CT-X320 | YV |
| G | CT-X4100 | YL |
| H | CT-X4150 | YL |



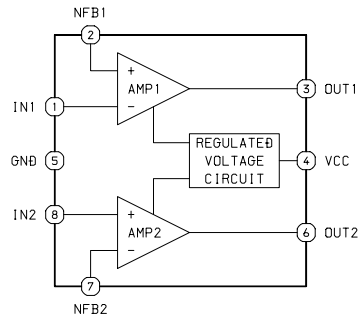


WIRING-2

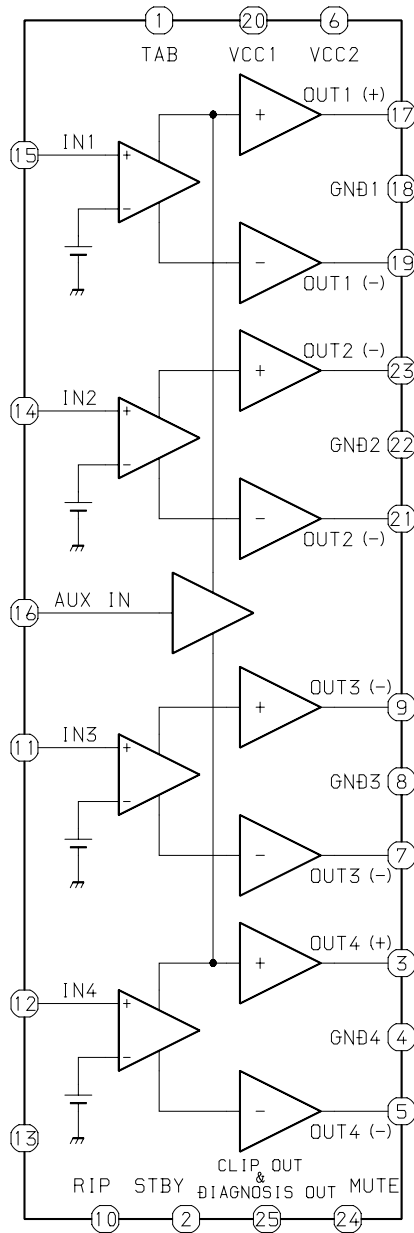


IC BLOCK DIAGRAM-2

IC, KIA6225S



IC, TA8259H



IC DESCRIPTION

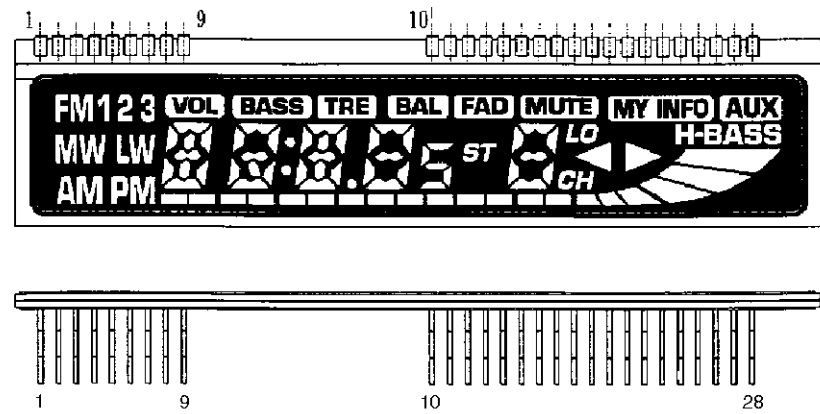
IC, TC9323F

| Pin No. | Pin Name | I/O | Description | | | | | | | | | | | | | | | |
|---------|----------------|-------|---|--|-------|-------|----|---|---|----|---|---|----|---|---|--------|---|---|
| 1 ~ 4 | N.C | – | Not connected. | | | | | | | | | | | | | | | |
| 5 | APS | O | MS signal output | | | | | | | | | | | | | | | |
| 6 | N.C | – | Not connected. | | | | | | | | | | | | | | | |
| 7 | S-MUTE | O | Standby muting output | | | | | | | | | | | | | | | |
| 8 | P-MUTE | O | Muting output to power amp | | | | | | | | | | | | | | | |
| 9 | LOUD | O | Loudness output | | | | | | | | | | | | | | | |
| 10 | LOCAL | O | Local/DX switching output. LOCAL: "H", DX: "L" | | | | | | | | | | | | | | | |
| 11 | MONO | O | MONO/STEREO switching output. MONO: "H", STEREO: "L" | | | | | | | | | | | | | | | |
| 12 | 20dB MUTE | O | -20dB muting output. This function is enabled when the -20dB muting jumper is selected. | | | | | | | | | | | | | | | |
| 13 | AGC CUT/IF REQ | O | Outputs "H" during searching of frequency. This is an IF count control signal or used to shut off the AGC circuit. | | | | | | | | | | | | | | | |
| 14 | RADIO | O | RADIO output | | | | | | | | | | | | | | | |
| 15 | TAPE | O | TAPE output | | | | | | | | | | | | | | | |
| 16 | CD | O | CD output | | | | | | | | | | | | | | | |
| 17 | BAND 1 | O | Band switching outputs <table border="1" style="margin-left: 20px;"> <thead> <tr> <th></th> <th>BAND1</th> <th>BAND2</th> </tr> </thead> <tbody> <tr> <td>FM</td> <td>H</td> <td>L</td> </tr> <tr> <td>MW</td> <td>L</td> <td>L</td> </tr> <tr> <td>LW</td> <td>L</td> <td>H</td> </tr> <tr> <td>FM (L)</td> <td>H</td> <td>H</td> </tr> </tbody> </table> | | BAND1 | BAND2 | FM | H | L | MW | L | L | LW | L | H | FM (L) | H | H |
| | BAND1 | BAND2 | | | | | | | | | | | | | | | | |
| FM | H | L | | | | | | | | | | | | | | | | |
| MW | L | L | | | | | | | | | | | | | | | | |
| LW | L | H | | | | | | | | | | | | | | | | |
| FM (L) | H | H | | | | | | | | | | | | | | | | |
| 18 | BAND 2 | O | | | | | | | | | | | | | | | | |
| 19 ~ 21 | N.C | – | Not connected | | | | | | | | | | | | | | | |
| 22 | RE1 | I | Rotary encoder input 1 | | | | | | | | | | | | | | | |
| 23 | RE2 | I | Rotary encoder input 2 | | | | | | | | | | | | | | | |
| 24 ~ 33 | N.C | – | Not connected | | | | | | | | | | | | | | | |
| 34 ~ 37 | K0 ~ K3 | I | Key matrix inputs | | | | | | | | | | | | | | | |
| 38 ~ 45 | T0 ~ T7 | O | Diode matrix outputs | | | | | | | | | | | | | | | |
| 46 | TAPE | I | TAPE input | | | | | | | | | | | | | | | |
| 47 | CD | I | CD input. "H" CD input enables the CD key. | | | | | | | | | | | | | | | |
| 48 | PANEL | I | Detects detachable panel (0.2-0.5 s chattering time is provided). Panel provided: "H", Panel not provided: "L" | | | | | | | | | | | | | | | |
| 49 | POWER | O | Power output | | | | | | | | | | | | | | | |
| 50 | PHONE MUTE | I | The telephone signal automatically applies muting. | | | | | | | | | | | | | | | |
| 51 | LEVEL METER | – | The signal level is converted to a digital signal. This meter signal moves the LCD level bar according to the level. | | | | | | | | | | | | | | | |
| 52 | DIR | I | TAPE running direction indicator input | | | | | | | | | | | | | | | |
| 53 | FF/REW | I | TAPE FF/REW indicator input | | | | | | | | | | | | | | | |
| 54 | E-VOL DATA | O | Pins to control the LC75374E electronic VR. | | | | | | | | | | | | | | | |
| 55 | E-VOL CK | | | | | | | | | | | | | | | | | |
| 56 | E-VOL CE | | | | | | | | | | | | | | | | | |

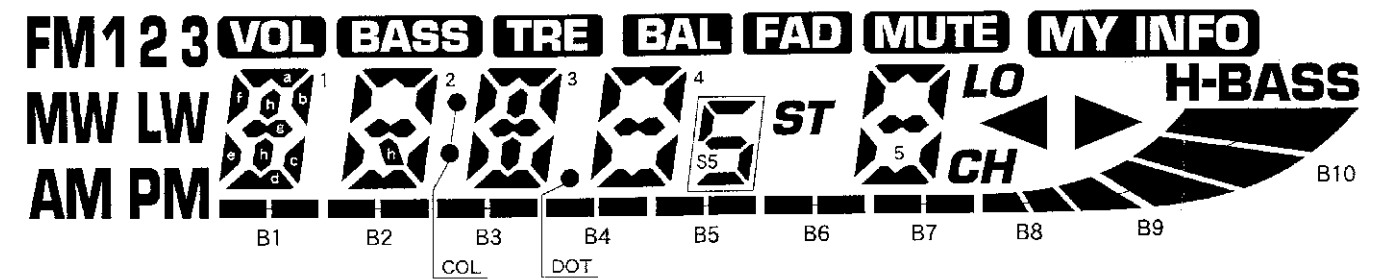
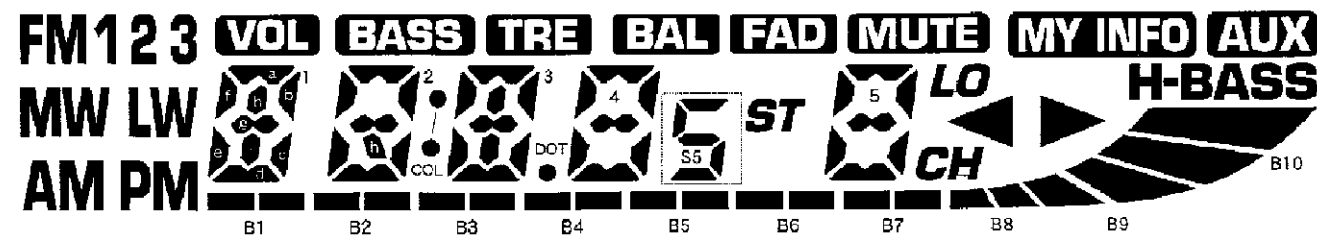
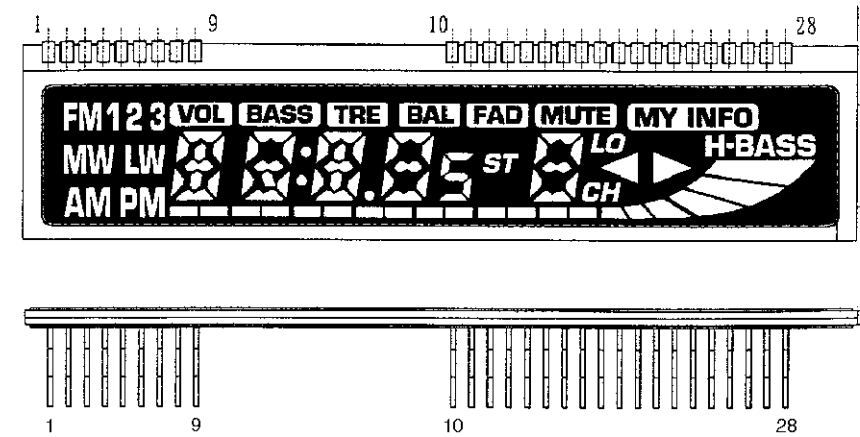
| Pin No. | Pin Name | I/O | Description |
|---------|---------------------------|-----|---|
| 57 | V-REF | I | Reference voltage pin |
| 58 | LED FLASH | O | This function is enabled when the ACC input is "L" and PANEL input is "L". "H" causes flashing for 0.1 s and "L" causes 0.9 s flashing. This output is disabled when the LED FLASH jumper is "H". |
| 59 | DATA | I/O | For communications with LCD driver and key input IC TC9297F. |
| 60 | CLK | O | |
| 61 | CE | O | |
| 62 | BEEP | O | Buzzer output |
| 63 | T-MUTE | O | Tuner muting output |
| 64 | REMO-IN | I | Interrupt of remote control signal |
| 65 | INTR 2 | I | Not used. |
| 66 | TEST | I | Test mode control input |
| 67 | HOLD | I | Monitors that the power is turned on with ignition switched on. |
| 68 | SD-IN | I | SD signal input |
| 69 | IF-IN | I | IF signal input |
| 70, 71 | DO1, DO2 | O | DO outputs |
| 72 | GND | – | GND |
| 73 | FMIN | I | FM/AM local oscillator signal input |
| 74 | AMIN | | |
| 75 | VDD | – | VDD terminal |
| 76 | $\overline{\text{RESET}}$ | I | Reset input |
| 77 | XOUT | O | For the connection of a crystal oscillator |
| 78 | XIN | I | |
| 79 | VXT | – | |
| 80 | GND | – | GND |

LCD DISPLAY

Parts No. 8A-KTG-610-010 [Except for CT-X320YV]

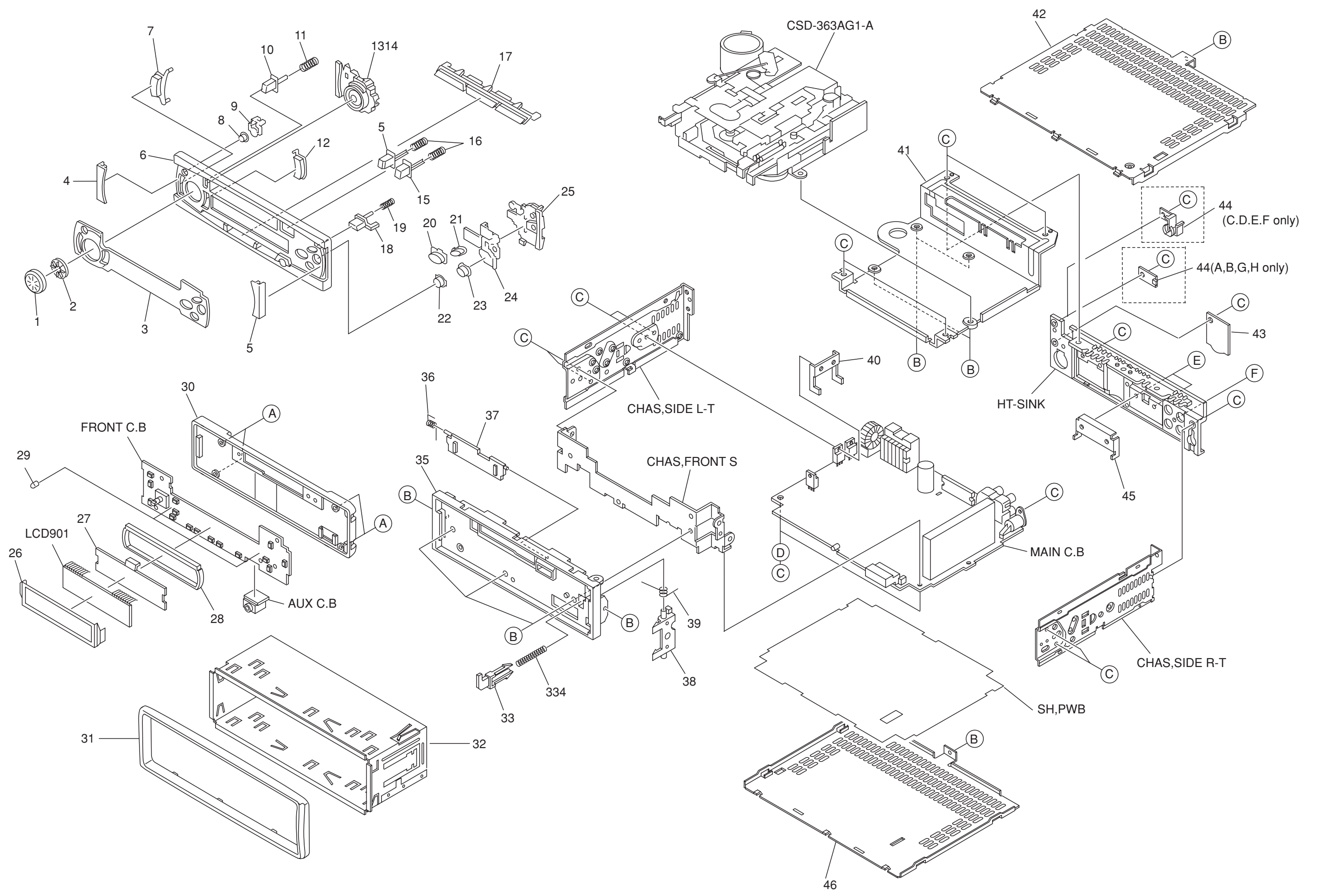


Parts No. 8A-KTG-610-010 [CT-X320YV]



| No | COM1 | COM2 | COM3 |
|----|---------|------|------|
| 1 | — | — | COM3 |
| 2 | — | COM2 | — |
| 3 | COM1 | — | — |
| 4 | FM | MW | AM |
| 5 | 1 | LW | PM |
| 6 | 2 | 3 | B1 |
| 7 | 1a | 1f | 1e |
| 8 | 1b | 1g | 1d |
| 9 | VOL | 1c | 1h |
| 10 | 2a | 2f | 2e |
| 11 | 2b | 2g | 2d |
| 12 | BASS | 2c | 2h |
| 13 | — | COL | B2 |
| 14 | TRE | — | B3 |
| 15 | 3a | 3f | 3e |
| 16 | 3b | 3g | 3d |
| 17 | DOT | 3c | 3h |
| 18 | 4a | 4f | 4e |
| 19 | 4b | 4g | 4d |
| 20 | BAL | 4c | B4 |
| 21 | FAD | S5 | B5 |
| 22 | MUTE | ST | B6 |
| 23 | 5a | 5f | 5e |
| 24 | 5b | 5g | 5d |
| 25 | LO | 5c | B7 |
| 26 | MY-INFO | CH | B8 |
| 27 | AUX | ◀ | B9 |
| 28 | H-BASS | ▶ | B10 |

| No | COM1 | COM2 | COM3 |
|----|---------|------|------|
| 1 | — | — | COM3 |
| 2 | — | COM2 | — |
| 3 | COM1 | — | — |
| 4 | FM | MW | AM |
| 5 | 1 | LW | PM |
| 6 | 2 | 3 | B1 |
| 7 | 1a | 1f | 1e |
| 8 | 1b | 1g | 1d |
| 9 | VOL | 1c | 1h |
| 10 | 2a | 2f | 2e |
| 11 | 2b | 2g | 2d |
| 12 | BASS | 2c | 2h |
| 13 | — | COL | B2 |
| 14 | TRE | — | B3 |
| 15 | 3a | 3f | 3e |
| 16 | 3b | 3g | 3d |
| 17 | DOT | 3c | 3h |
| 18 | 4a | 4f | 4e |
| 19 | 4b | 4g | 4d |
| 20 | BAL | 4c | B4 |
| 21 | FAD | S5 | B5 |
| 22 | MUTE | ST | B6 |
| 23 | 5a | 5f | 5e |
| 24 | 5b | 5g | 5d |
| 25 | LO | 5c | B7 |
| 26 | MY-INFO | CH | B8 |
| 27 | — | ◀ | B9 |
| 28 | H-BASS | ▶ | B10 |



MECHANICAL MAIN PARTS LIST 1/1

DESCRIPTIONで判断できない物は "REFERENCE NAME LIST" を参照してください。
 If can't understand for Description please kindly refer to "REFERENCE NAME LIST".

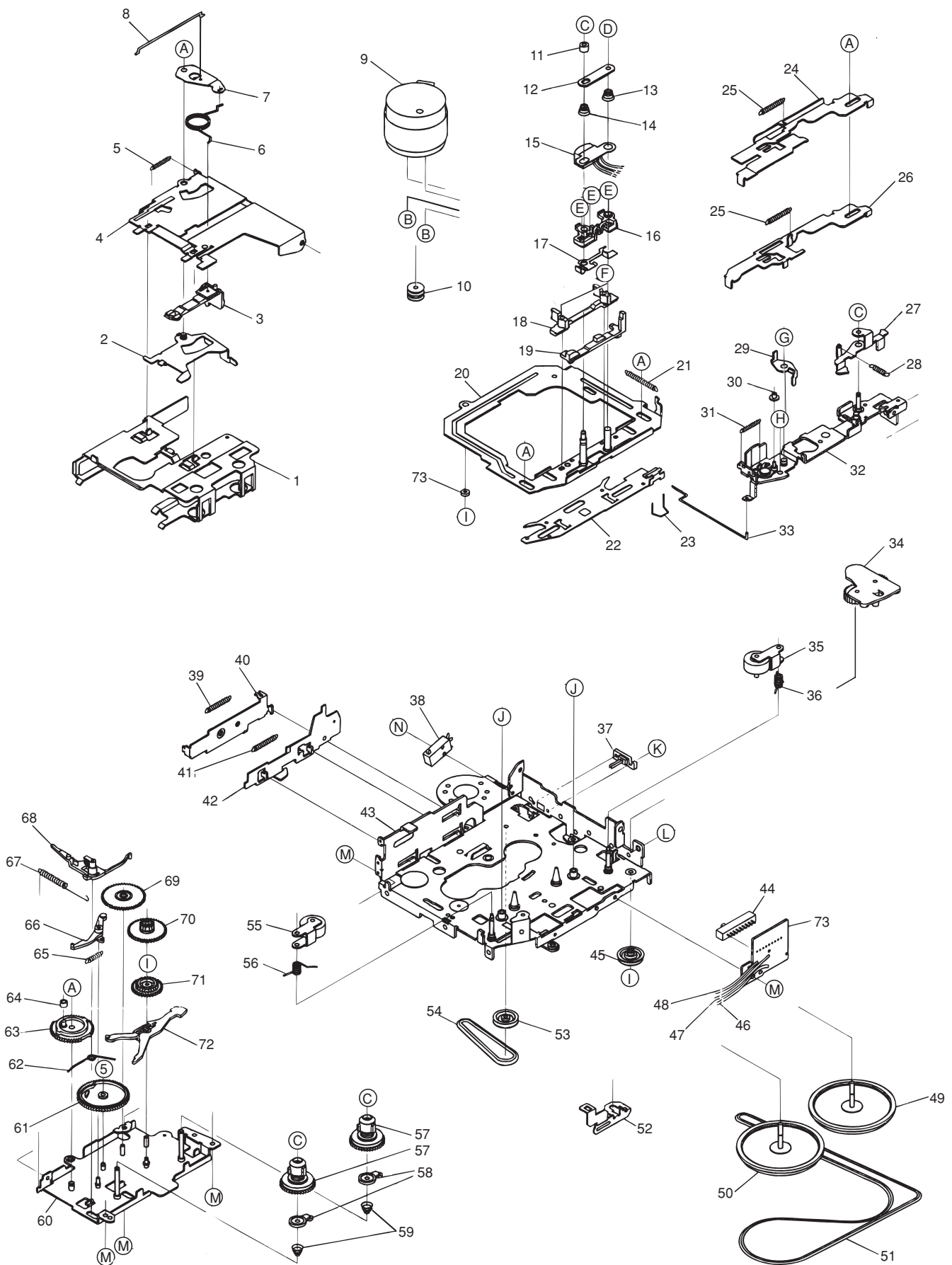
| REF. NO | PART NO. | KANRI NO. | DESCRIPTION | REF. NO | PART NO. | KANRI NO. | DESCRIPTION |
|---------|----------------|-----------|----------------------|---------|-----------------|-----------|--------------------------------|
| 1 | 8A-KTF-020-010 | | KNOB,RTRY NON RUBBER | 24 | 8A-KT5-211-010 | | HLDR,BTN DISP |
| 2 | 8A-KT5-021-010 | | RING,RTRY A | 25 | 8A-KTF-206-010 | | LENS,R F |
| 3 | 8A-KTG-017-010 | | WINDOW,LCD X310<C> | 26 | 8A-KTG-201-010 | | HLDR,LCD G |
| 3 | 8A-KTG-010-010 | | WINDOW,LCD X320<E,F> | 27 | 8A-KTG-203-010 | | LENS,LCD G |
| 3 | 8A-KTG-016-010 | | WINDOW,LCD X325<D> | 28 | 8A-KTG-202-010 | | CASE,LCD G |
| 3 | 8A-KTG-005-010 | | WINDOW,LCD X410 | 29 | 8Z-KT1-239-0100 | | CAP,LAMP BLU B<EXCEPT C> |
| 3 | 8A-KTG-006-010 | | WINDOW,LCD X4100<G> | 29 | 8Z-KTG-209-010 | | CAP,LAMP ORN<C> |
| 3 | 8A-KTG-007-010 | | WINDOW,LCD X4150<H> | 30 | 8A-KTF-002-010 | | CABI,REAR F |
| 3 | 8A-KTG-002-010 | | WINDOW,LCD X420<A> | 31 | 8A-KTF-003-010 | | CABI,TRIM F |
| 4 | 8A-KT4-011-010 | | WINDOW,L 4<C> | 32 | 8Z-KT1-231-010 | | HLDR,HALF -T |
| 4 | 8A-KTF-004-010 | | WINDOW,L F<EXCEPT C> | 33 | 8Z-KTA-203-010 | | LEVER,DFP LOCK -T10 |
| 5 | 8A-KT4-010-010 | | WINDOW,R 4<C> | 34 | 8Z-KTA-221-010 | | SPR-C,DETACH LOCK-T10 |
| 5 | 8A-KTF-005-010 | | WINDOW,R F<EXCEPT C> | 35 | 8A-KTF-014-010 | | CABI,BASE F |
| 6 | 8A-KTG-001-010 | | CABI,FRONT G | 36 | 8Z-KT1-244-010 | | SPR-T,DOOR Z |
| 7 | 8A-KTF-013-010 | | BTN,FNC F | 37 | 8Z-KT1-023-110 | | DOOR,CASS |
| 8 | 8A-KT5-012-010 | | BTN,PWR<EXCEPT C> | 38 | 8Z-KTA-204-110 | | LEVER,DEF HOOK -T10 |
| 8 | 8A-KT4-005-010 | | BTN,PWR 4<C> | 39 | 8Z-KTA-222-010 | | SPR-T,DETACH LOCK-T10 |
| 9 | 8A-KT5-210-010 | | HLDR,BTN MU | 40 | 8A-KT5-204-010 | | HLDR,TR |
| 10 | 8A-KTF-010-010 | | BTN,EJECT F | 41 | 8A-KTF-202-010 | | HLDR,DECK F |
| 11 | 8Z-KTA-226-010 | | SPR-C,EJECT | 42 | 8Z-KT1-211-010 | | COVER, TOP -T |
| 12 | 8A-KTG-003-010 | | BTN,UP/DN G | 43 | 8Z-KT4-201-010 | | COVER, CD BLIND -T |
| 13 | 8A-KTF-205-010 | | LENS,ENCO F | 44 | 8Z-KT5-201-010 | | COVER, ISO BLIND -T<A,B,G,H> |
| 14 | 8A-KTF-012-010 | | BTN,REW F | 44 | 8A-KT5-219-010 | | HLDR,ISO-WIRE 5<C,D,E,F> |
| 15 | 8A-KTF-011-010 | | BTN,FF F | 45 | 8A-KTF-201-010 | | HLDR,IC F |
| 16 | 87-KTE-205-010 | | SPR-C,EJ/FF/REW | 46 | 8Z-KT1-212-010 | | COVER, BOTTOM -T |
| 17 | 8A-KTG-004-010 | | BTN,P.SET G | A | 8Z-KT1-253-010 | | S-SCREW,PT 2*8 BH+ BLK |
| 18 | 8A-KTF-015-010 | | BTN,DETACH | B | 88-KT1-250-010 | | S-SCREW,THIN HEAD+2.6-4 BLK |
| 19 | 8Z-KTA-223-010 | | SPR-C,RELEASE -T10 | C | 87-251-073-410 | | SCREW,U+2.6-6 |
| 20 | 8A-KT5-013-010 | | BTN,DISP<EXCEPT C> | D | 87-432-903-010 | | WASHER,WTE 2.6 |
| 20 | 8A-KT4-007-010 | | BTN,SEL 4<C> | E | 87-251-097-410 | | U+3-12 |
| 21 | 8A-KT5-014-010 | | BTN,A/M<EXCEPT C> | F | 87-B10-259-010 | | UT2+3.0-10.0 W/O SLOT (BH TAP) |
| 21 | 8A-KT4-009-010 | | BTN,PS 4<C> | | | | |
| 22 | 8A-KT5-016-010 | | BTN,INFO<EXCEPT C> | | | | |
| 22 | 8A-KTG-015-010 | | BTN,INFO G<C> | | | | |
| 23 | 8A-KT5-015-010 | | BTN,LO | | | | |

| TYPE | MODEL NAME | SUFFIX |
|------|------------|--------|
| A | CT-X420 | YU |
| B | CT-X410 | YU |
| C | CT-X310 | YZ |
| D | CT-X325 | YV |
| E | CT-X320 | YZ |
| F | CT-X320 | YV |
| G | CT-X4100 | YL |
| H | CT-X4150 | YL |

COLOR NAME TABLE

| Basic color symbol | Color | Basic color symbol | Color | Basic color symbol | Color |
|--------------------|-------------------|--------------------|--------------------|--------------------|--------------------|
| B | Black | C | Cream | D | Orange |
| G | Green | H | Gray | L | Blue |
| LT | Transparent Blue | N | Gold | P | Pink |
| R | Red | S | Silver | ST | Titan Silver |
| T | Brown | V | Violet | W | White |
| WT | Transparent White | Y | Yellow | YT | Transparent Yellow |
| LM | Metallic Blue | LL | Light Blue | GT | Transparent Green |
| LD | Dark Blue | DT | Transparent Orange | | |

MECHANISM EXPLODED VIEW 1/1



MECHANISM MAIN PARTS LIST 1/1

DESCRIPTIONで判断できない物は "REFERENCE NAME LIST" を参照してください。
 If can't understand for Description please kindly refer to "REFERENCE NAME LIST".

| REF. NO | PART NO. | KANRI NO. | DESCRIPTION | REF. NO | PART NO. | KANRI NO. | DESCRIPTION |
|---------|----------------|-----------|-----------------------|---------|----------------|-----------|-------------------------|
| 1 | S1-013-810-100 | | HOLDER CASS(X) | 49 | S1-036-360-100 | | FLYWHEEL ASSY(F) CPL |
| 2 | SX-003-610-190 | | EJECT CAM LOCK ASSY | 50 | S1-036-360-110 | | FLYWHEEL ASSY(R) CPL |
| 3 | S1-003-220-070 | | TAPE HOOKER | 51 | S1-003-650-040 | | BELT MAIN |
| 4 | S1-013-810-020 | | HANGER CASS(X) | 52 | S1-003-610-260 | | ARM FR(B) |
| 5 | S1-003-640-070 | | EJECT CAM LOCK SPG | 53 | S1-036-320-030 | | GEAR PULLEY |
| 6 | S1-003-640-230 | | CENTER PLATE SPG(B) | 54 | S1-036-350-010 | | BELT SUB |
| 7 | S1-003-610-180 | | PLATE CENTER | 55 | SX-036-360-040 | | PINCH ARM ASSY(R) |
| 8 | S1-036-350-070 | | RETURN LINK | 56 | S1-036-340-040 | | PINCH ARM(R) |
| 9 | S1-003-670-570 | | MOTOR | 57 | SX-036-320-050 | | REEL SPINDLE ASSY |
| 10 | S1-036-330-420 | | MOTOR PULLEY(MBC) | 58 | SX-036-360-060 | | DETECTOR CAM ASSY(V) |
| 11 | S1-003-630-320 | | ROLLER FF(A) | 59 | S1-013-840-010 | | BACK TENSION SPG |
| 12 | S1-003-610-150 | | PLATE SPG SUPPORT | 60 | SX-036-360-010 | | REEL BASE ASSY |
| 13 | S1-003-640-100 | | ADJUSTER ARM SPG(A) | 61 | S1-003-620-140 | | GEAR DETECTR |
| 14 | S1-003-640-110 | | ADJUSTER ARM SPG(B) | 62 | S1-003-640-150 | | DASH SPG |
| 15 | S1-036-370-040 | | HEAD | 63 | S1-003-620-100 | | GEAR SELECTOR |
| 16 | S1-013-820-053 | | ADJUSTER ARM BLUE | 64 | S1-003-630-180 | | COLLER(SELECTOR GEAR) |
| 17 | S1-013-810-060 | | ADJUSTER SHIM(X) | 65 | S1-003-640-030 | | GEAR LOCK ARM SPG |
| 18 | S1-003-820-180 | | GUIDE TAPE | 66 | S1-003-820-140 | | GEAR LOCK ARM |
| 19 | S1-036-320-060 | | LINK ADJUSTER(B) | 67 | S1-003-840-140 | | RATCHET SPG |
| 20 | SX-036-310-020 | | HEAD PLATE ASSY | 68 | S1-003-620-070 | | RATCHET |
| 21 | S1-003-640-060 | | PLATE SPG HEAD | 70 | S1-003-620-040 | | GEAR REDUCTION(A) |
| 22 | SX-036-310-040 | | FR CONVRT ARM ASSY(A) | 71 | S1-003-620-010 | | GEAR IDLE |
| 23 | S1-003-640-170 | | SW SELECT ARM SPG | 72 | S1-003-620-090 | | ARM SENSOR |
| 24 | S1-003-610-510 | | LEVER FF(AT) | 73 | S1-036-330-070 | | ROLLER HP(A) |
| 25 | S1-003-640-010 | | LEVER SPG FF/REW | A | S2-171-200-501 | | E-RING 2 |
| 26 | S1-003-610-530 | | LEVER REW(AT) | B | S2-103-200-25C | | SCREW,M2-2.5 |
| 27 | S1-003-610-290 | | ARM LOCK(A) | C | S1-003-650-240 | | PSW(REEL)B 1.5-3.2-0.25 |
| 28 | S1-003-640-020 | | LEVER SPG LOCK | D | S2-101-200-40C | | SCREW,M2-4 |
| 29 | S1-003-610-230 | | LEVER CHANG(B) | E | S1-013-850-020 | | SCREW,M2-5 |
| 30 | S1-036-330-110 | | ROLLER PROGRAM | F | S2-103-200-70C | | SCREW,M2-7 |
| 31 | S1-003-640-080 | | ARM SPG PROGRAM | G | S2-171-250-601 | | E-RING 2.5 |
| 32 | SX-036-360-020 | | LEVER BRACKET ASSY | H | S2-133-200-40C | | SCREW,S-TYPE M2-4 |
| 33 | S1-036-350-030 | | SELECTOR LINK(B) | I | S2-181-200-30D | | PSW-S 1.2-3.0-0.25 |
| 34 | SX-036-360-030 | | TU GEAR ARM ASSY | J | S2-181-600-32E | | LMW-S 1.6-3.2-0.35 |
| 35 | SX-036-360-050 | | PINCH ARM ASSY(F) | K | S2-133-170-40C | | SCREW,S-TYPE M1.7-4 |
| 36 | S1-036-340-030 | | PINCH ARM SPG(F) | M | S2-138-200-30C | | SCREW,B-TYPE M2-3 |
| 37 | S1-036-370-010 | | SW,MUTE | N | S2-133-170-60C | | SCREW,S-TYPE M1.7-6 |
| 38 | S1-036-370-050 | | SW POWER | | | | |
| 39 | S1-003-620-030 | | GEAR REDUCTION(B) | | | | |
| 39 | S1-036-340-050 | | LEVER SPG EJECT | | | | |
| 40 | S1-003-610-070 | | LEVER EJECT | | | | |
| 42 | S1-036-310-030 | | CAM EJECT | | | | |
| 42 | S1-036-340-060 | | CAM SPG EJECT | | | | |
| 44 | S1-036-370-020 | | SW,SLLLLLIDE | | | | |
| 45 | S1-005-820-215 | | IDLE PULLEY(A) | | | | |

