

# 10. Schematic Diagram

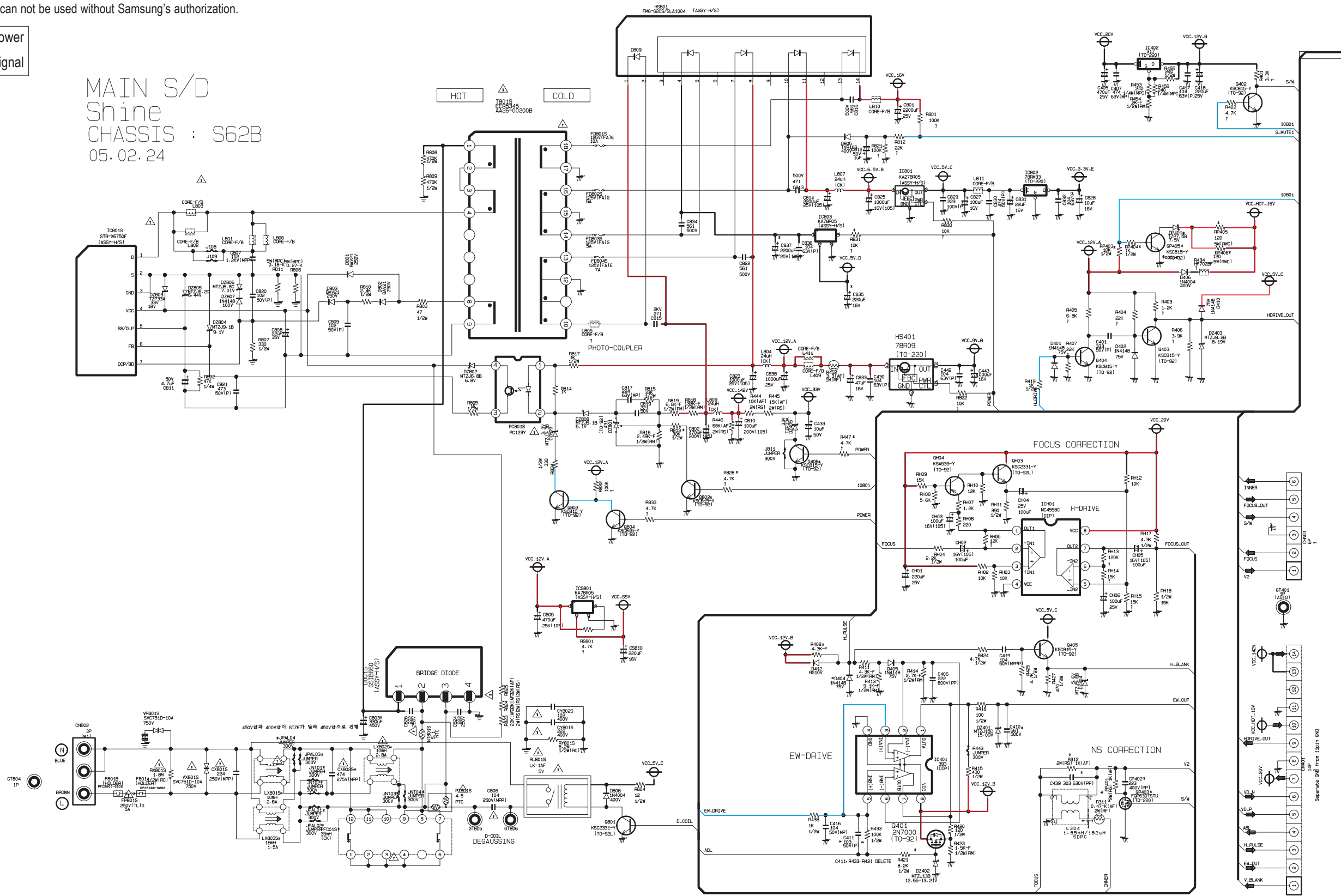
## 10-1 MAIN

### 10-1-1 MAIN 1

This Document can not be used without Samsung's authorization.

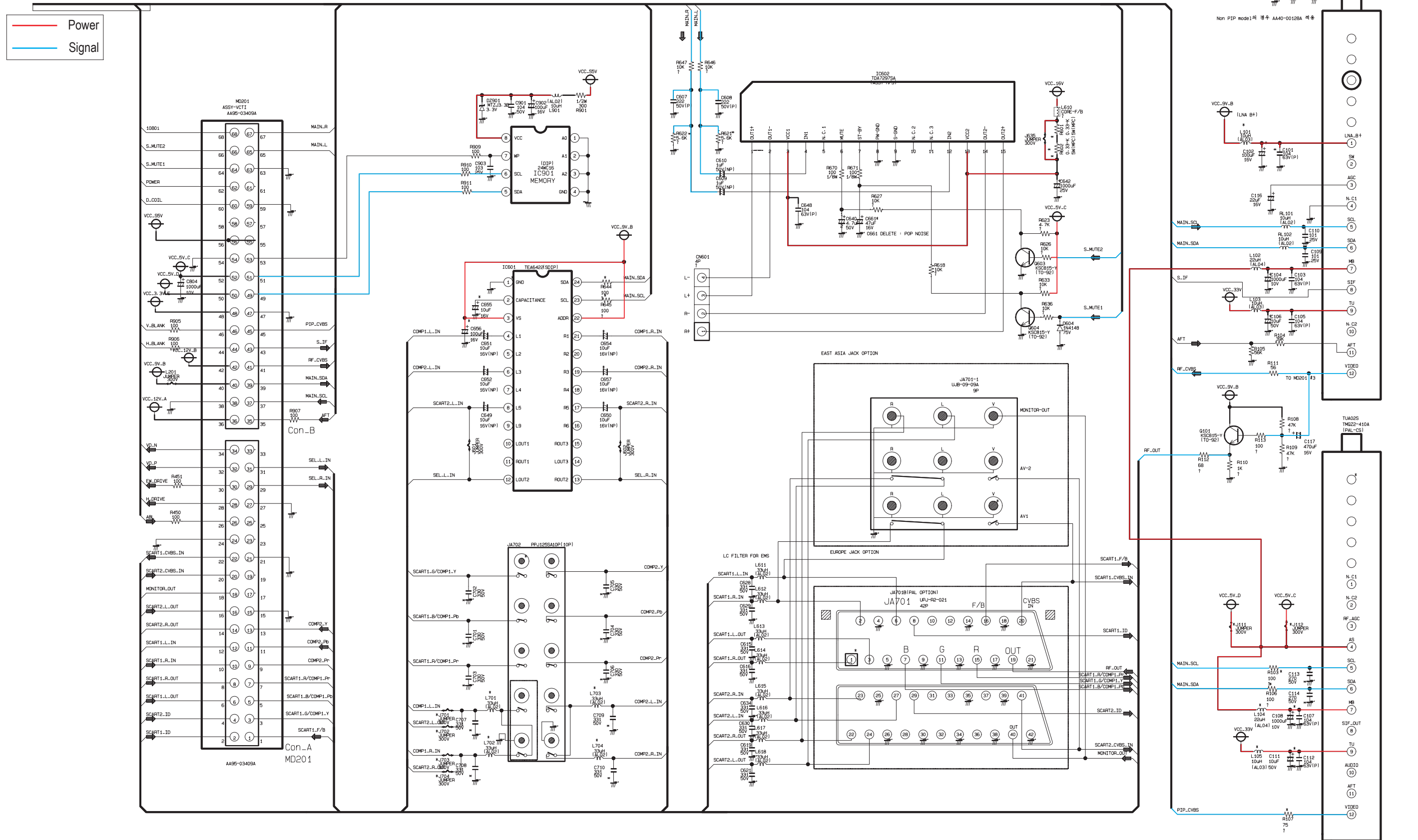


MAIN S/D  
Shine  
CHASSIS : S62B  
05.02.24



### 10-1-2 MAIN 2

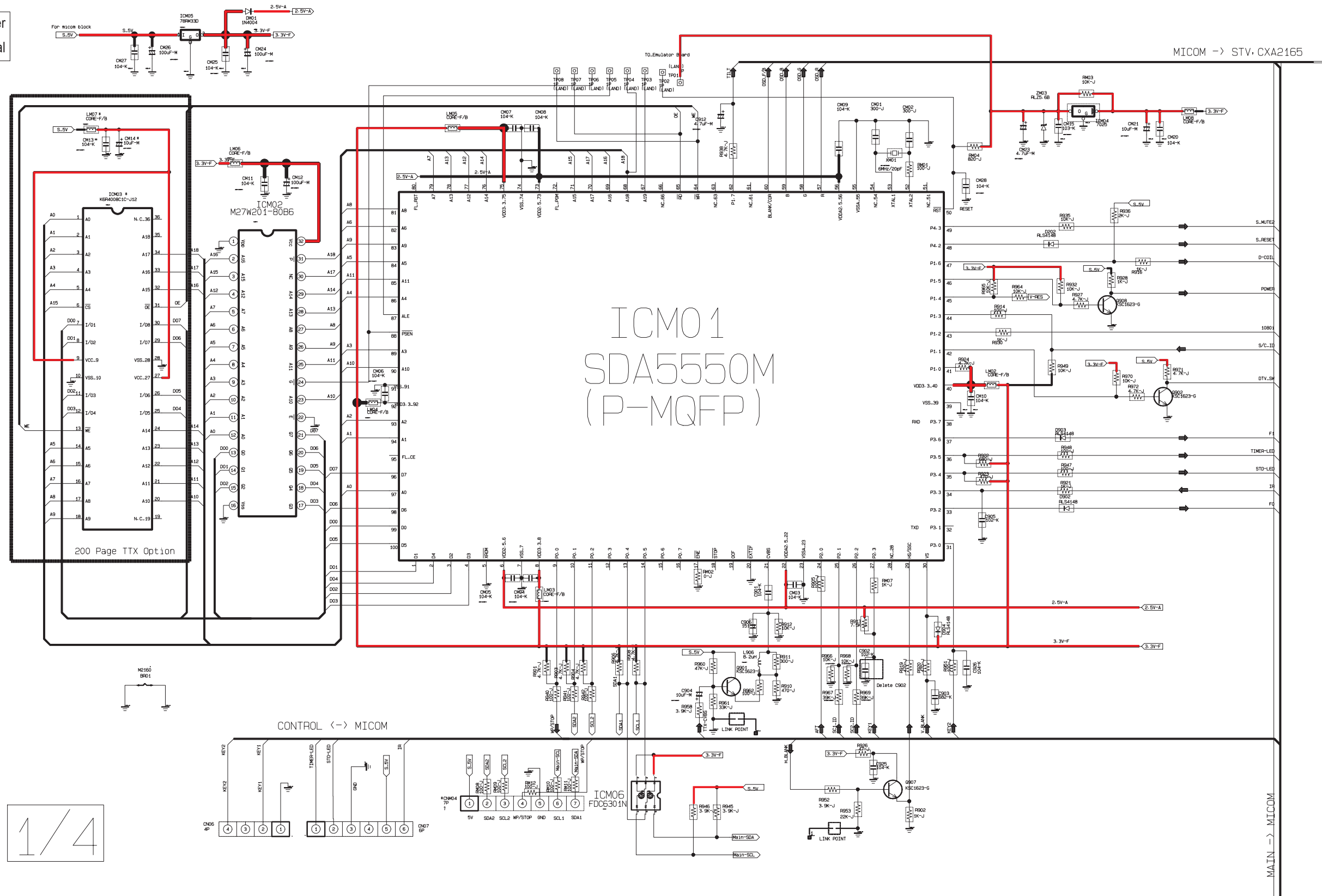
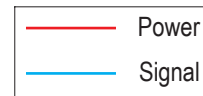
This Document can not be used without Samsung's authorization.



# 10-2 Feature Box

## 10-2-1 Feature Box 1

This Document can not be used without Samsung's authorization.

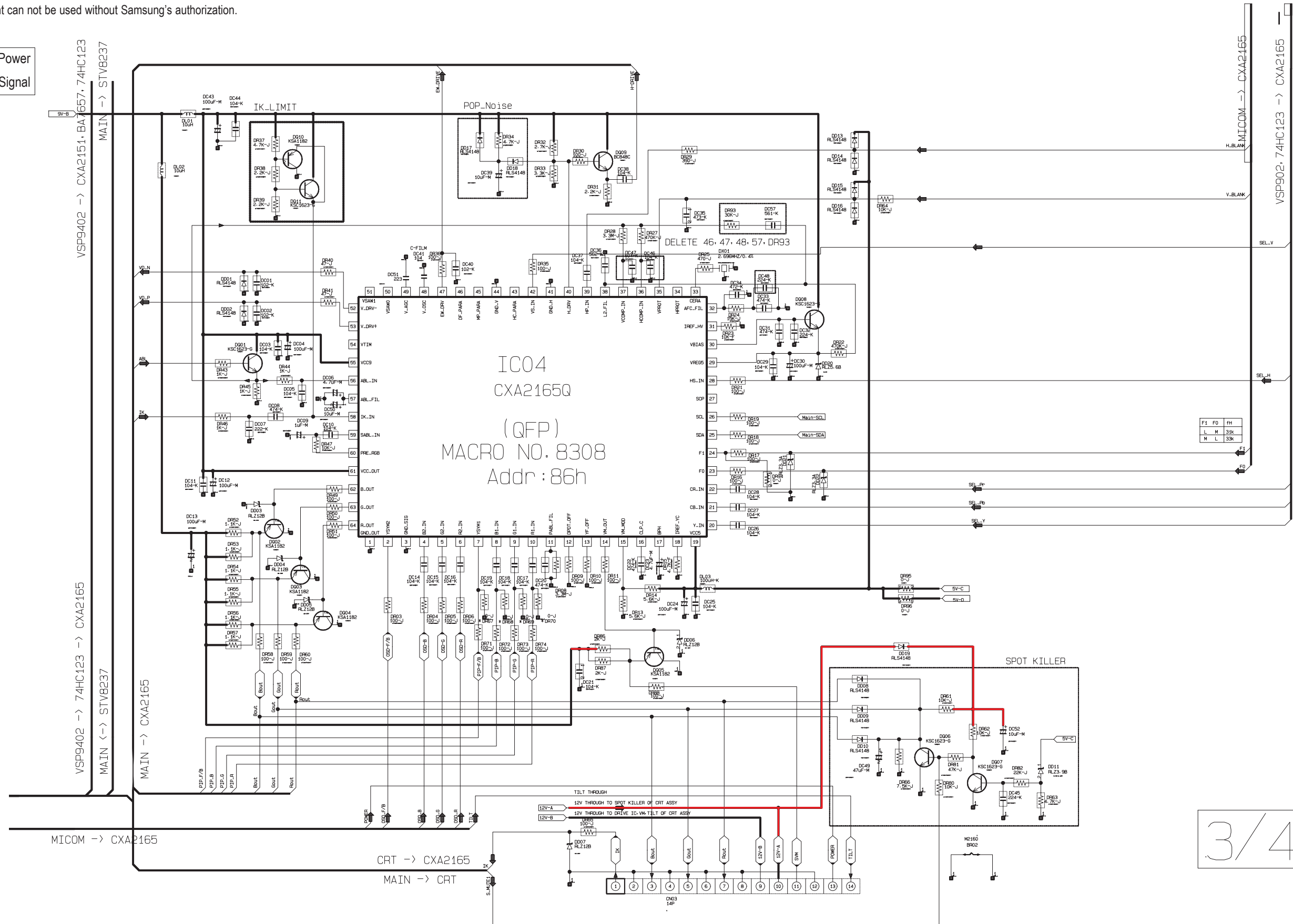
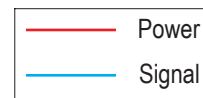


1/4



### 10-2-3 Feature Box 3

This Document can not be used without Samsung's authorization.



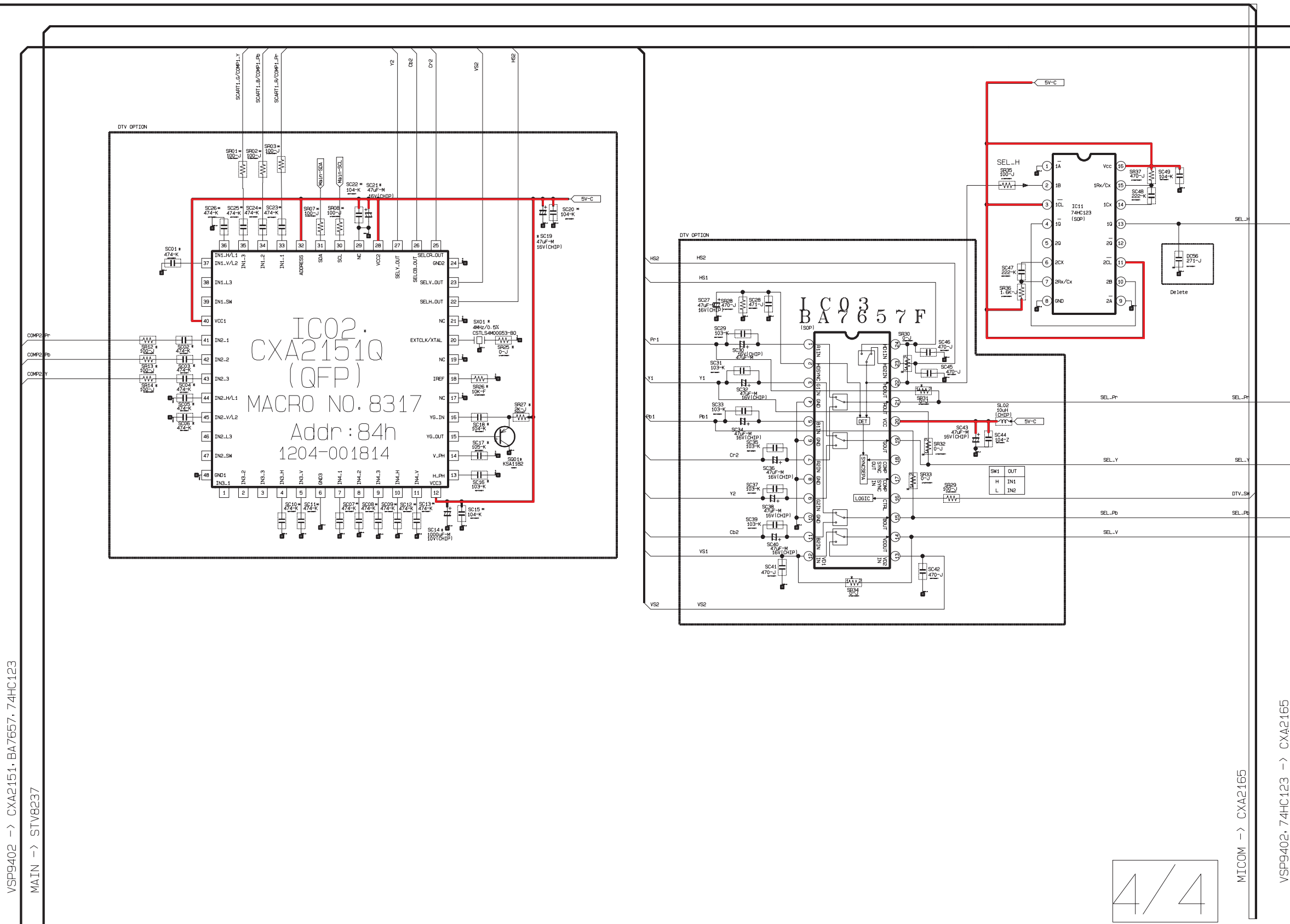
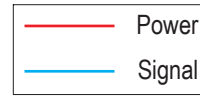
3/4



### 10-2-4 Feature Box 4

This Document can not be used without Samsung's authorization.

MICOM -> STVB237, CXA2165



VSP9402 -> CXA2151, BA7657, 74HC123  
MAIN -> STVB237

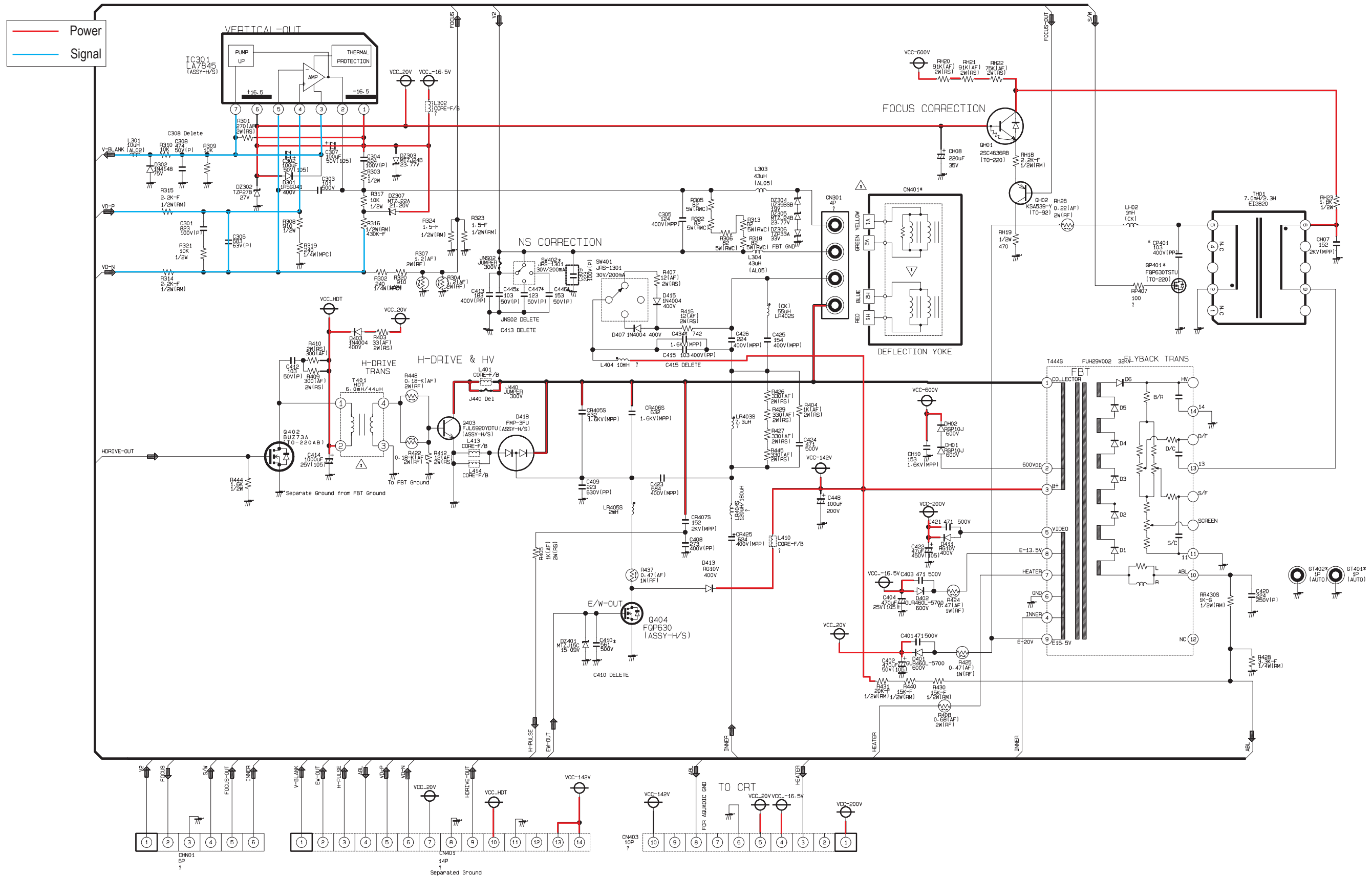
MICOM -> CXA2165  
VSP9402, 74HC123 -> CXA2165





### 10-3 DEFLECTION

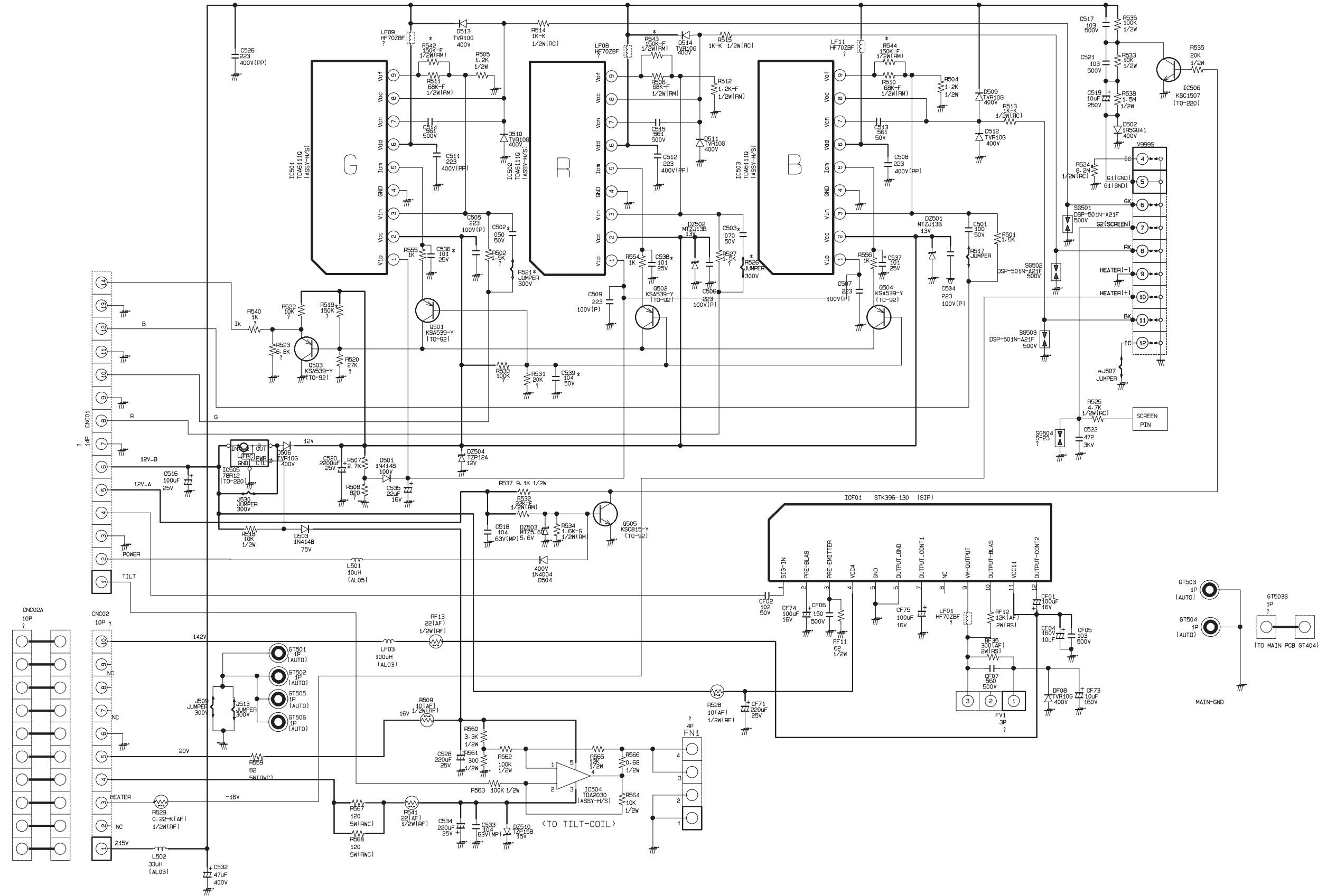
This Document can not be used without Samsung's authorization.





# 10-4 CRT

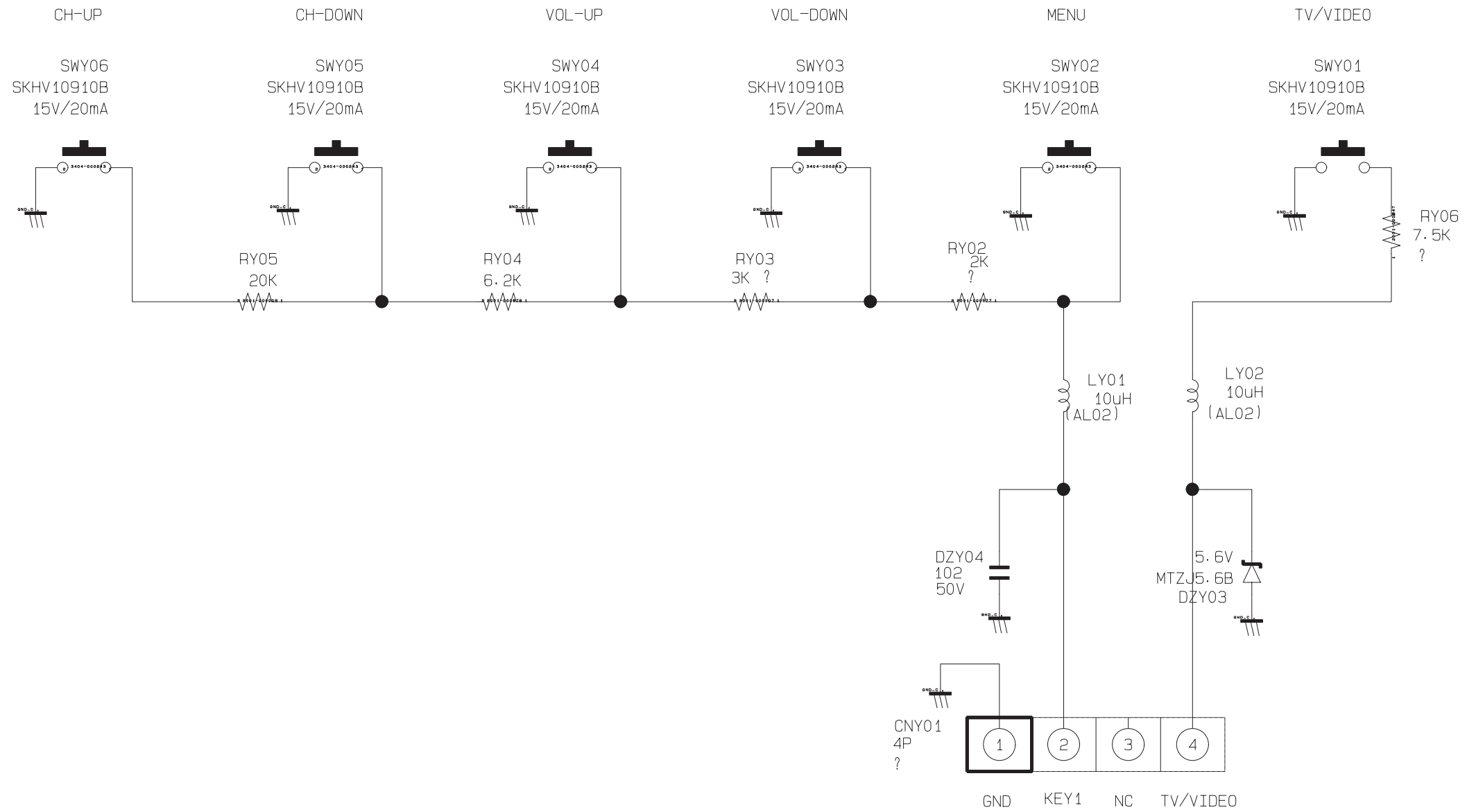
This Document can not be used without Samsung's authorization.





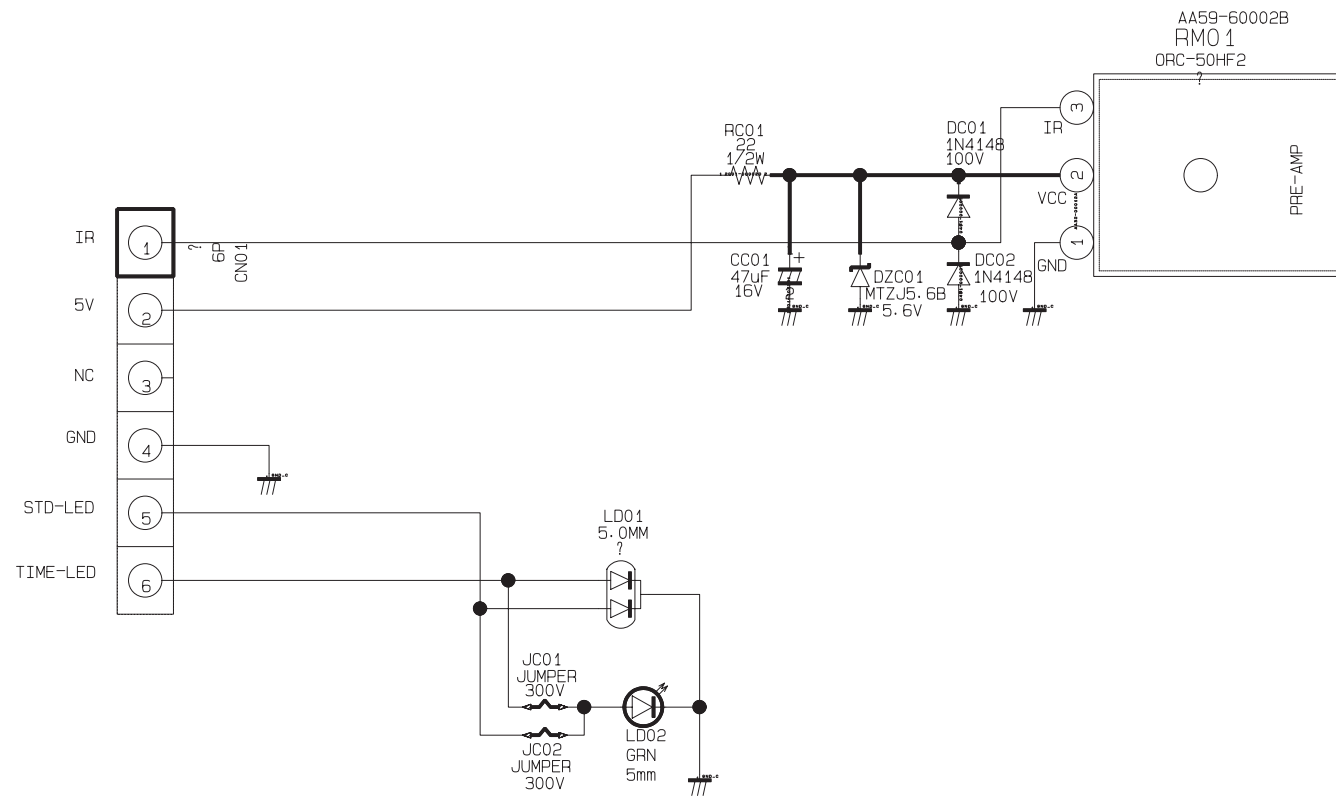
# 10-6 CONTROL

This Document can not be used without Samsung's authorization.



### 10-7 LED Module

This Document can not be used without Samsung's authorization.



### 10-8 Master S/W

This Document can not be used without Samsung's authorization.

