

## Applicable Country & Regions:

All Regions

# Product Service Manual – Level 3

Service Manual for BenQ:  
Projector/MP512  
< 9H.Y1277.000 >



Version: 00a  
Date:2008/06/12

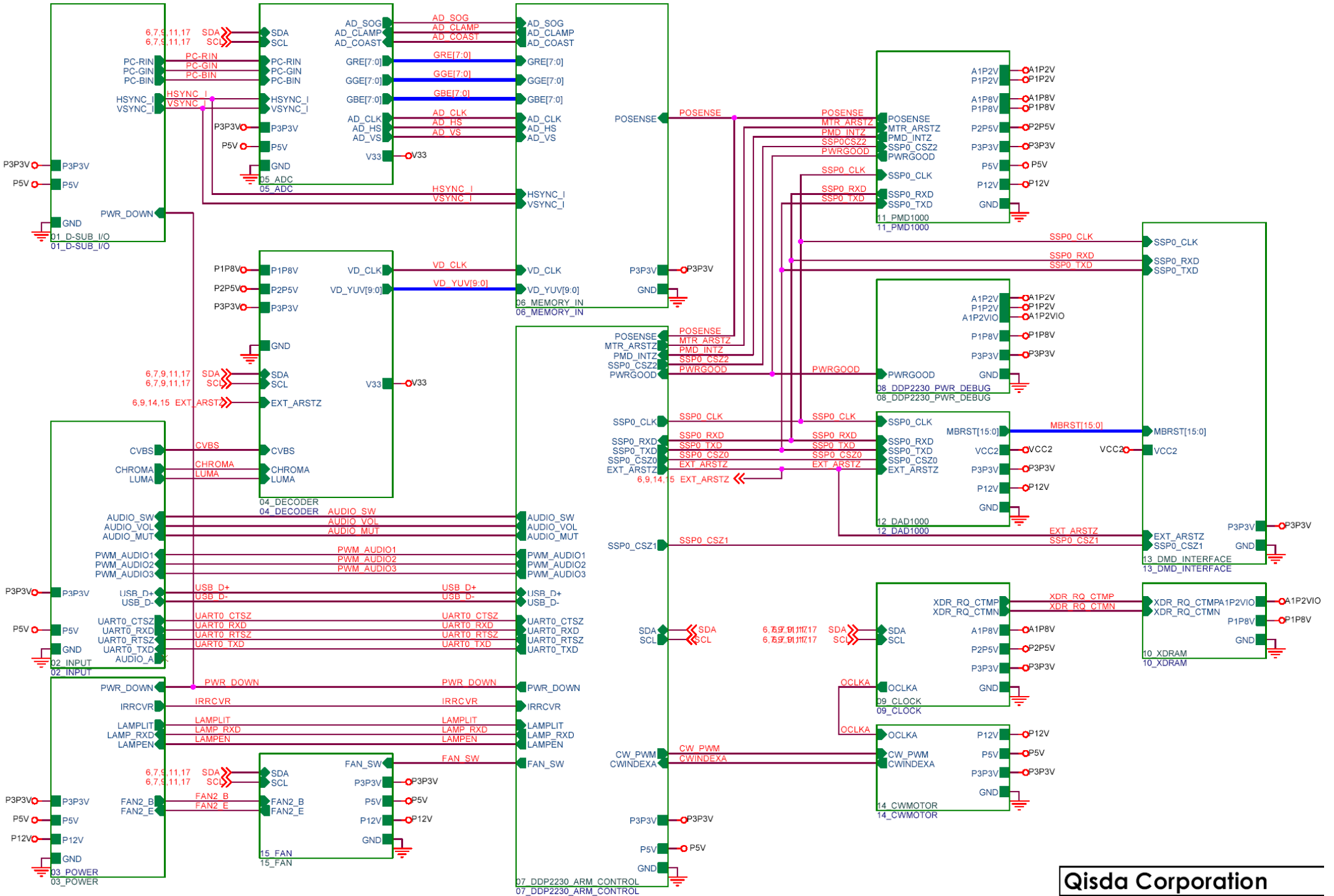
### Notice:

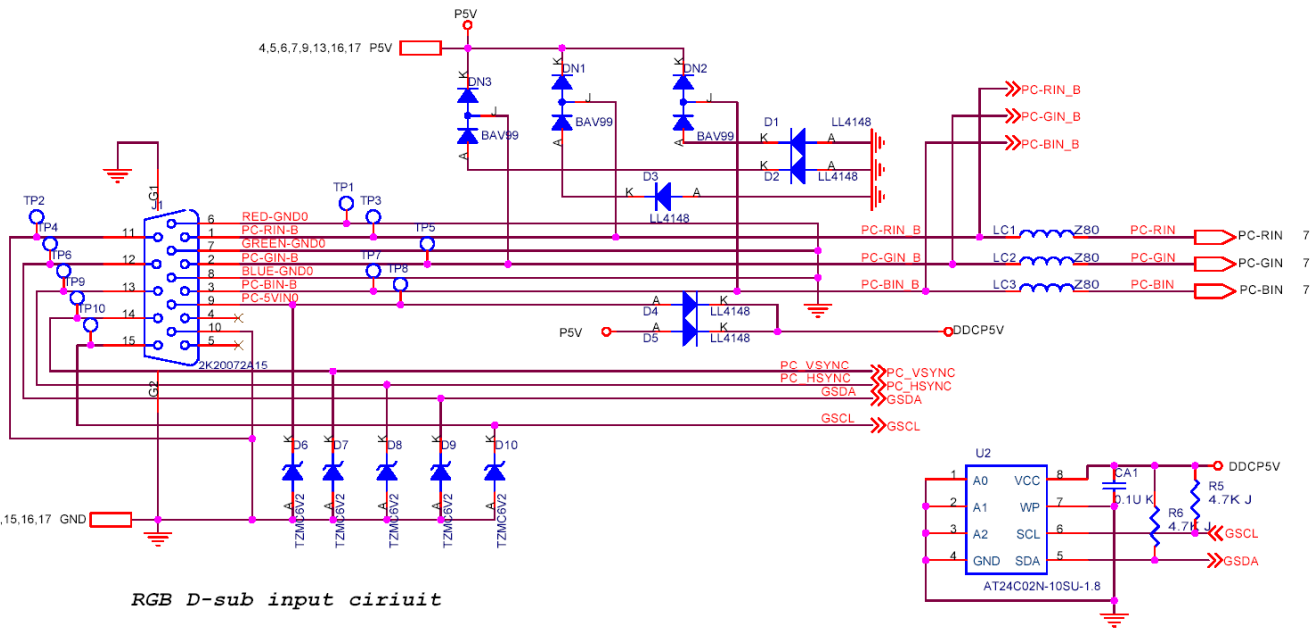
For RO to input specific “Legal Requirement” in specific NS regarding to responsibility and liability statements.

*Please check BenQ’s eSupport web site, <http://esupport.benq.com>, to ensure that you have the most recent version of this manual.*

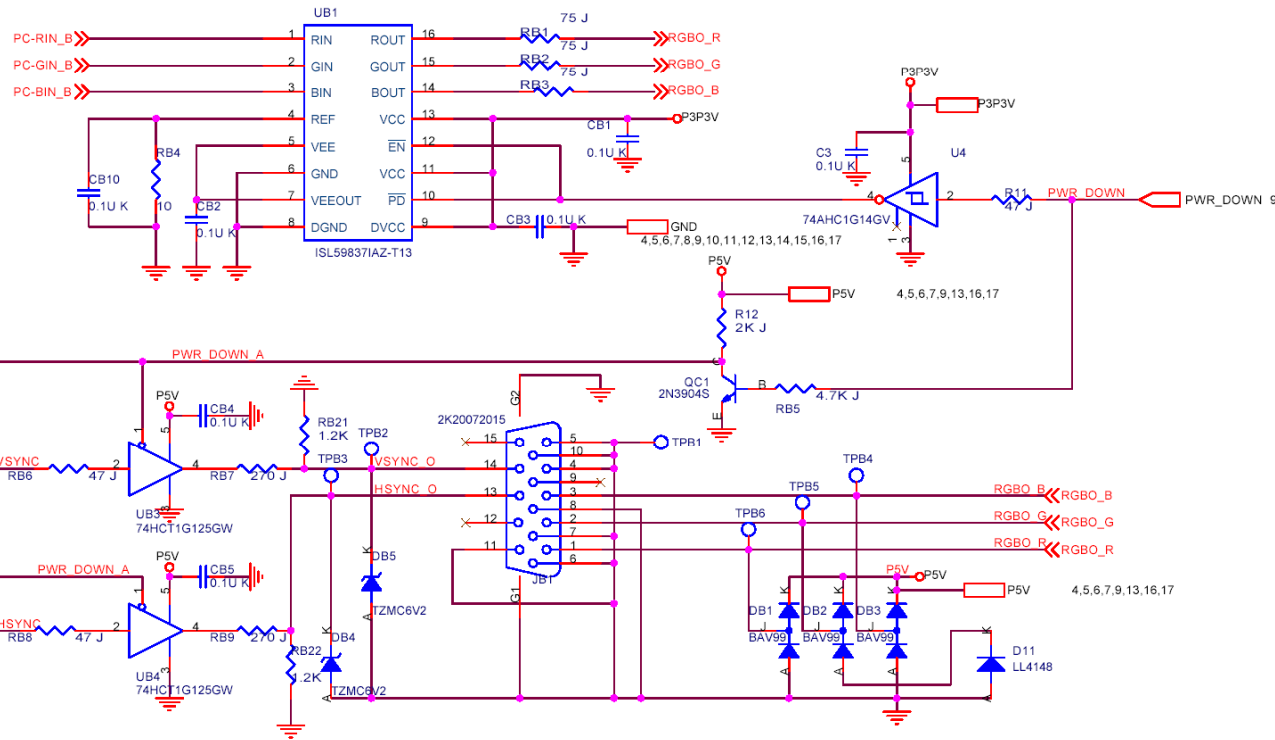
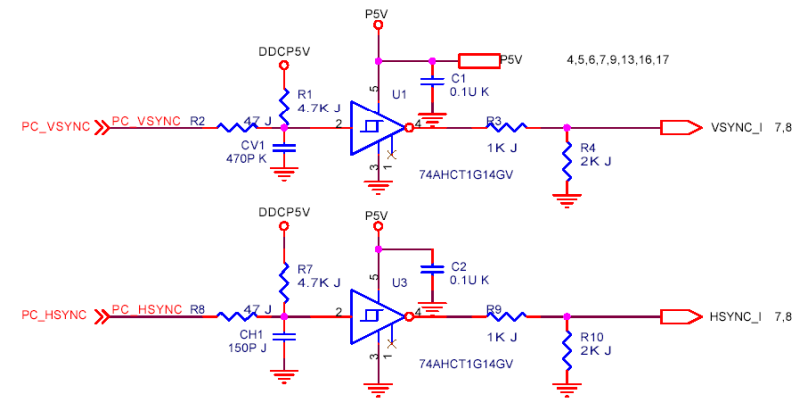
First Edition (Jun 2008)  
© Copyright BenQ Corporation 2007. All Right Reserved.

# Schematics—Main board:



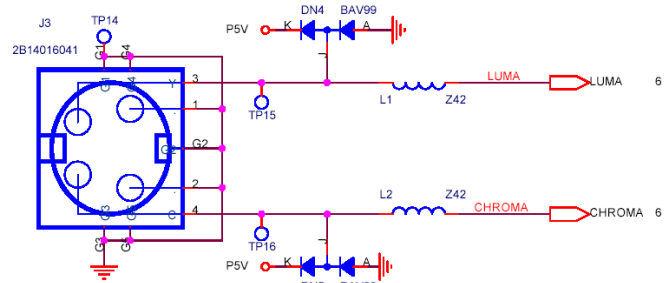


RGB D-sub input circuit

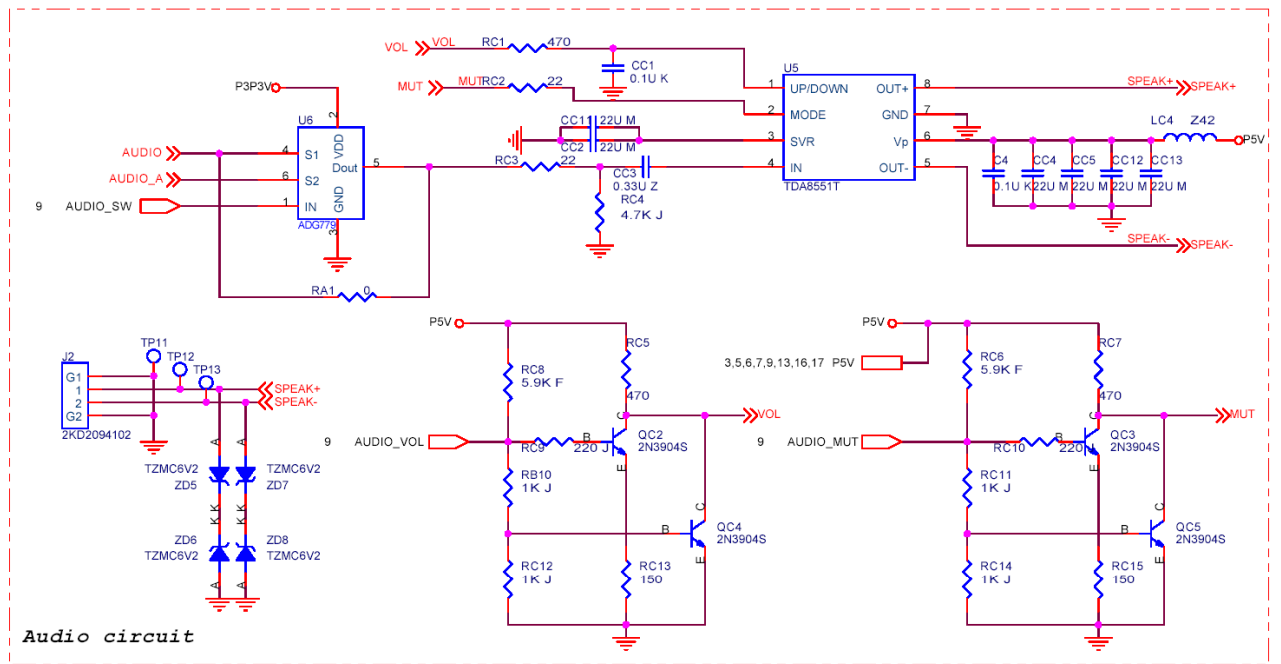
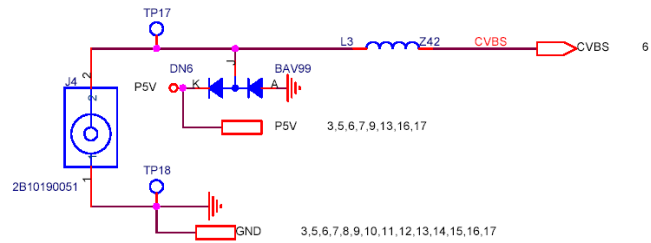


RGB D-sub output circuit

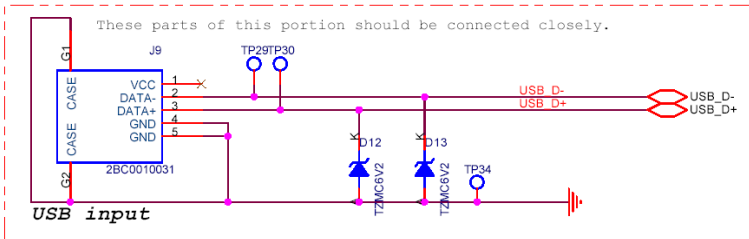
Qisda Corporation		
Project Code	Model Name	OEM/ODM Model N
9J.0GF77.001	MP522	<OEM/ODM>
Title		
MAIN BOARD		
Size	PCB P/N	PCB Rev.
<Size>	4H.0GF01.S03	S03
Document Number		9J.0GF77.000-C3-304-001
Date:	Thursday, February 14, 2008	Sheet 3 of 17



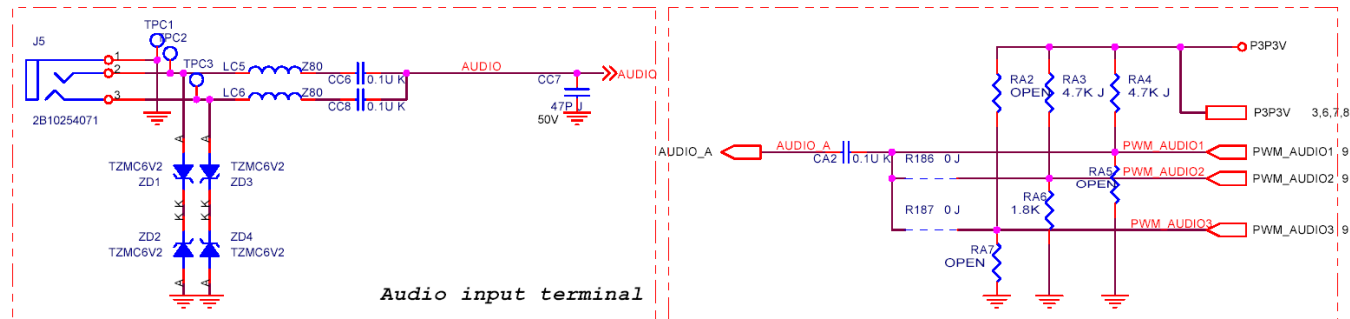
Video input



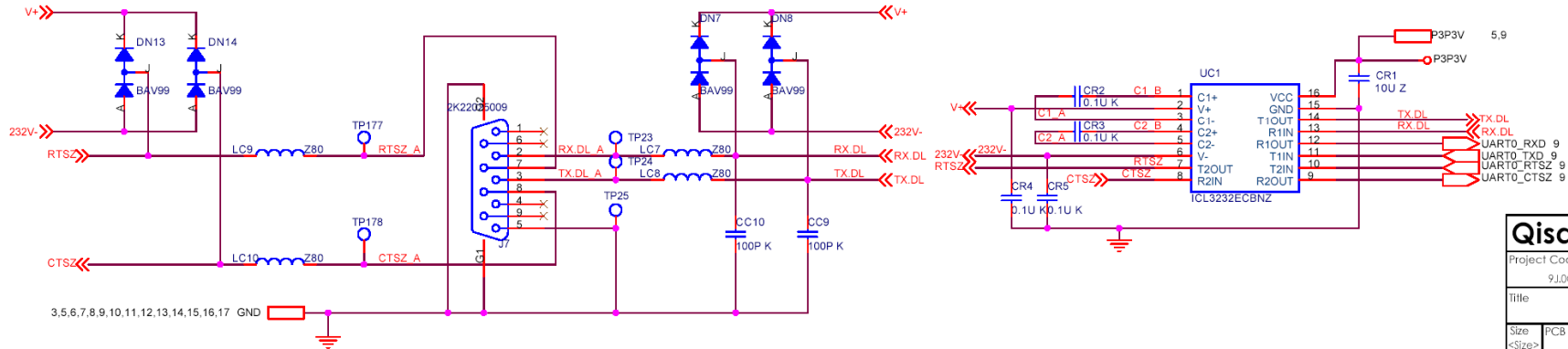
Audio circuit



USB input

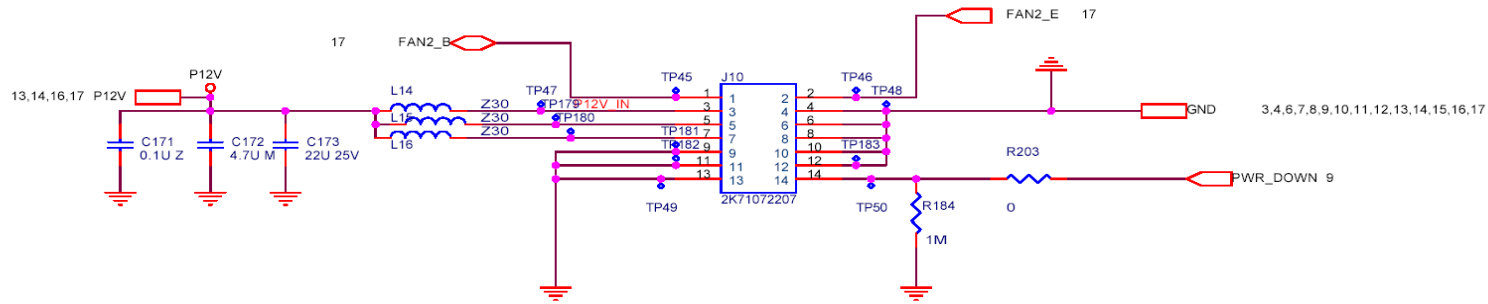


Audio input terminal

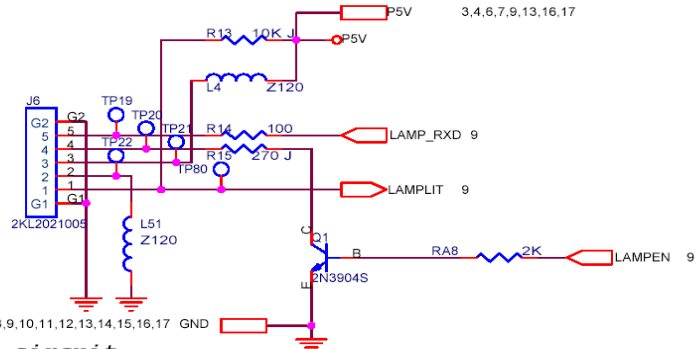


RS232 circuit

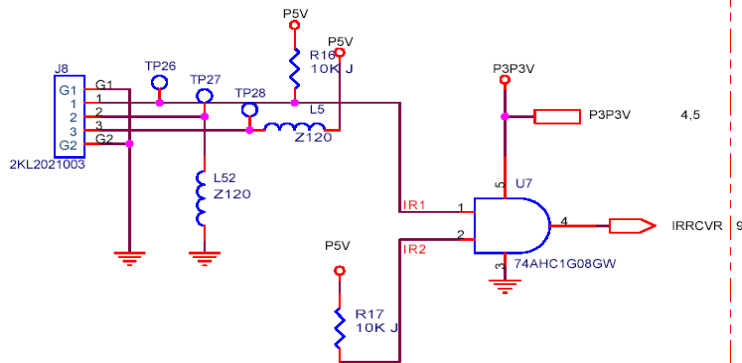
Qisda Corporation			
Project Code	Model Name	OEM/ODM Model Name	
9J.DGF77.001	MP522	<OEM/ODM>	
Title			
MAIN BOARD			
Size	PCB P/N	PCB Rev.	Document Number
<Size>	4H.DGF01.S03	S03	9J.DGF77.000-C3-304-001
Date:	Thursday, February 14, 2008	Sheet	4 of 17



POWER FROM DC/DC BOARD

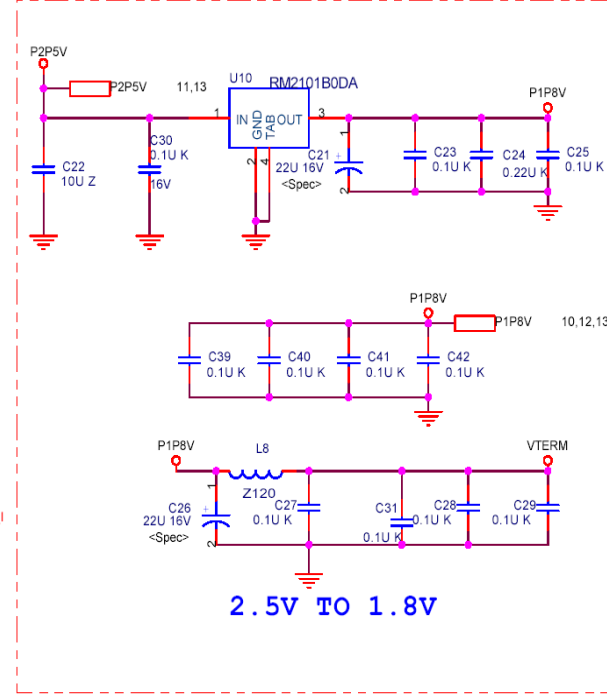
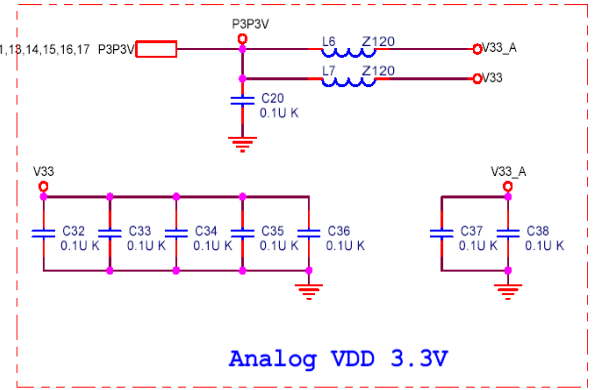
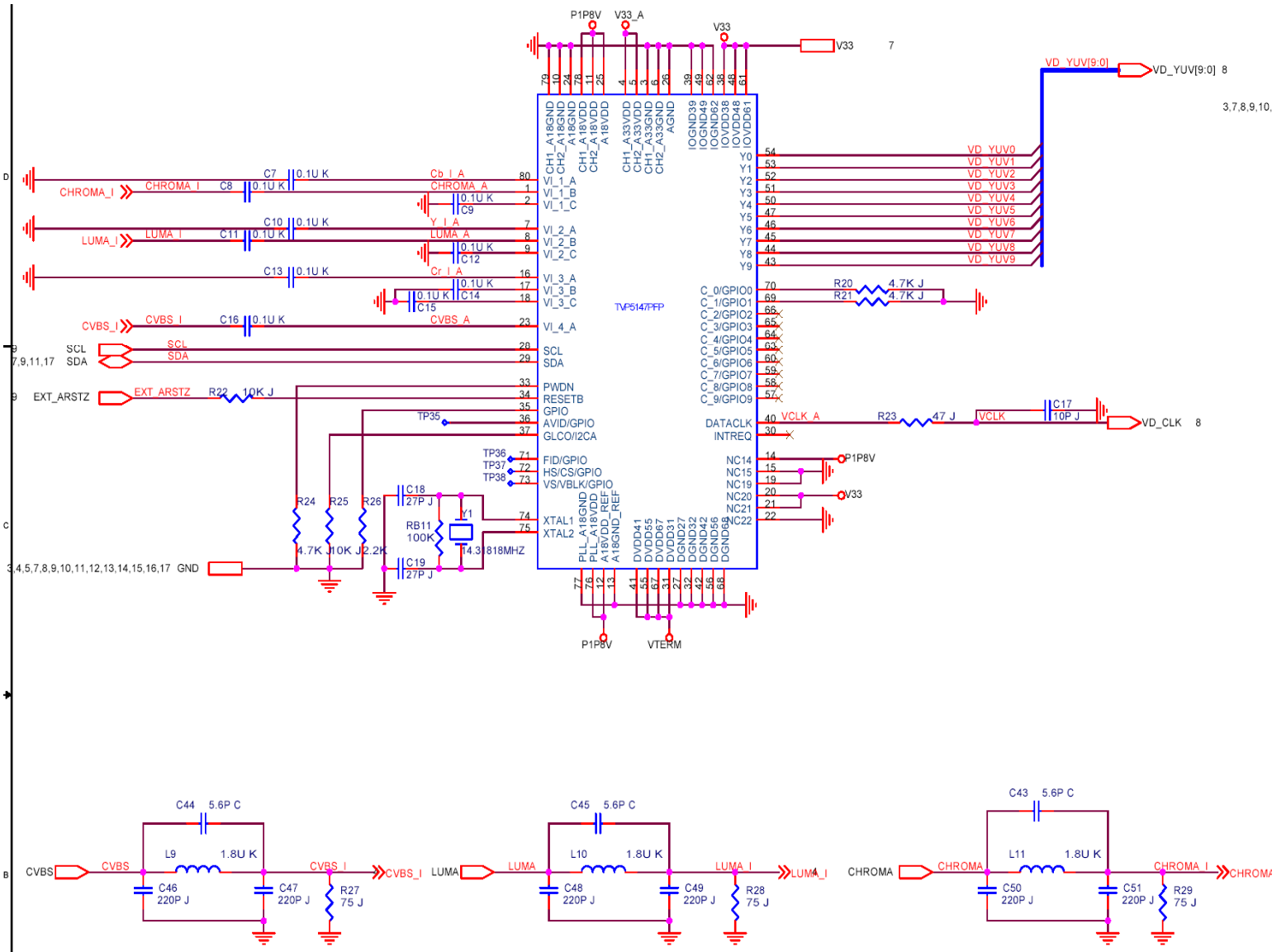


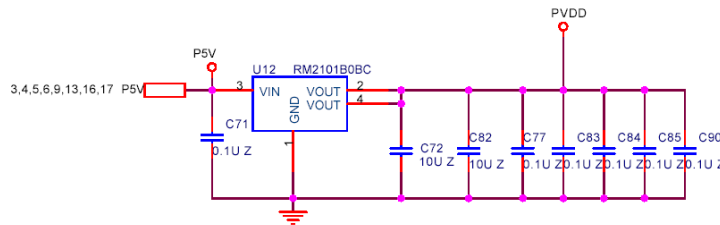
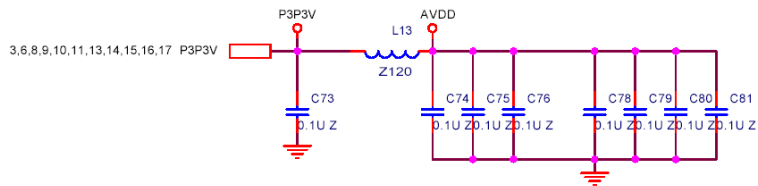
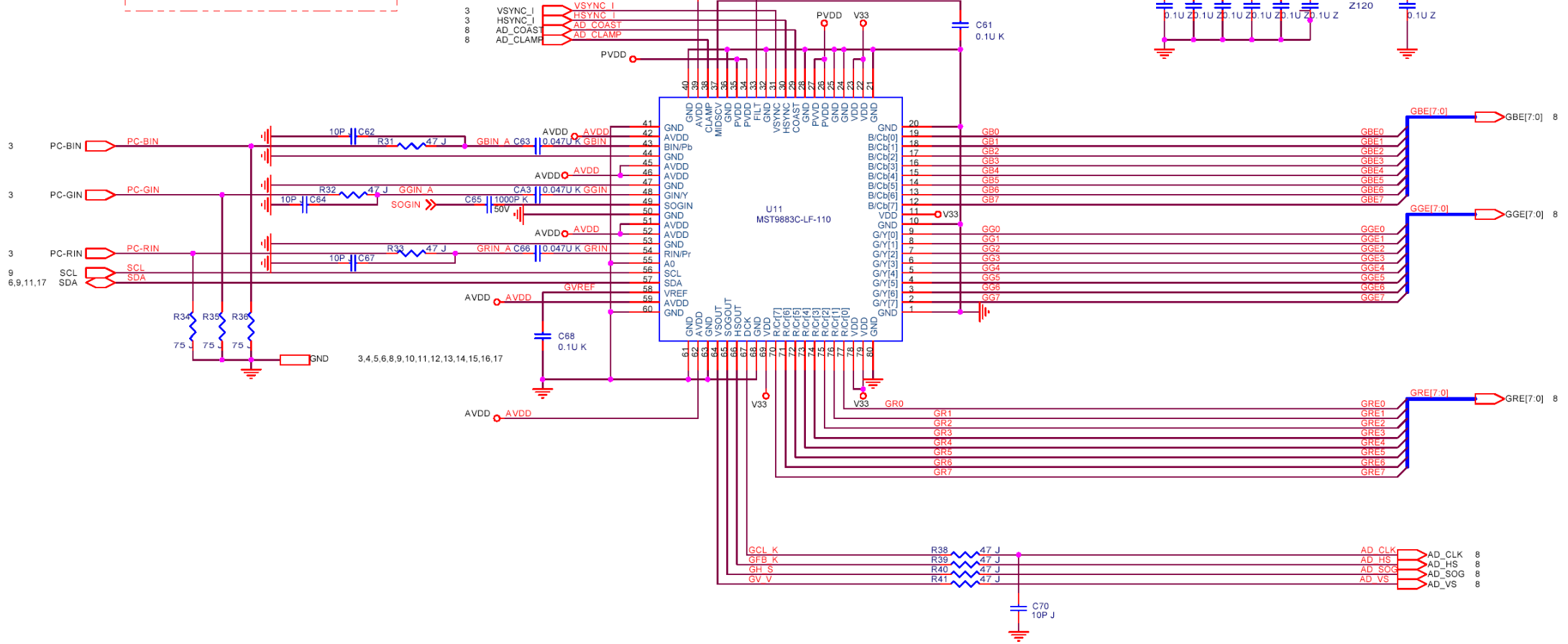
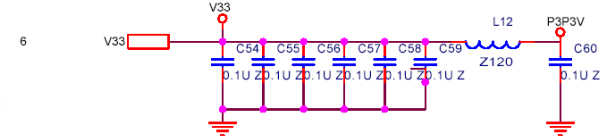
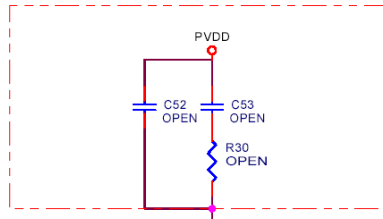
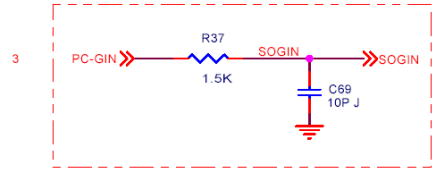
Lamp circuit



IR circuit

<b>Qisda C</b>	
Project Code	9J.0GF77.001
Title	
Size	PCB P/N
<Size>	4H.0GFC
Date:	Thursday, Feb
Prepared By	
	ANGFI HUI



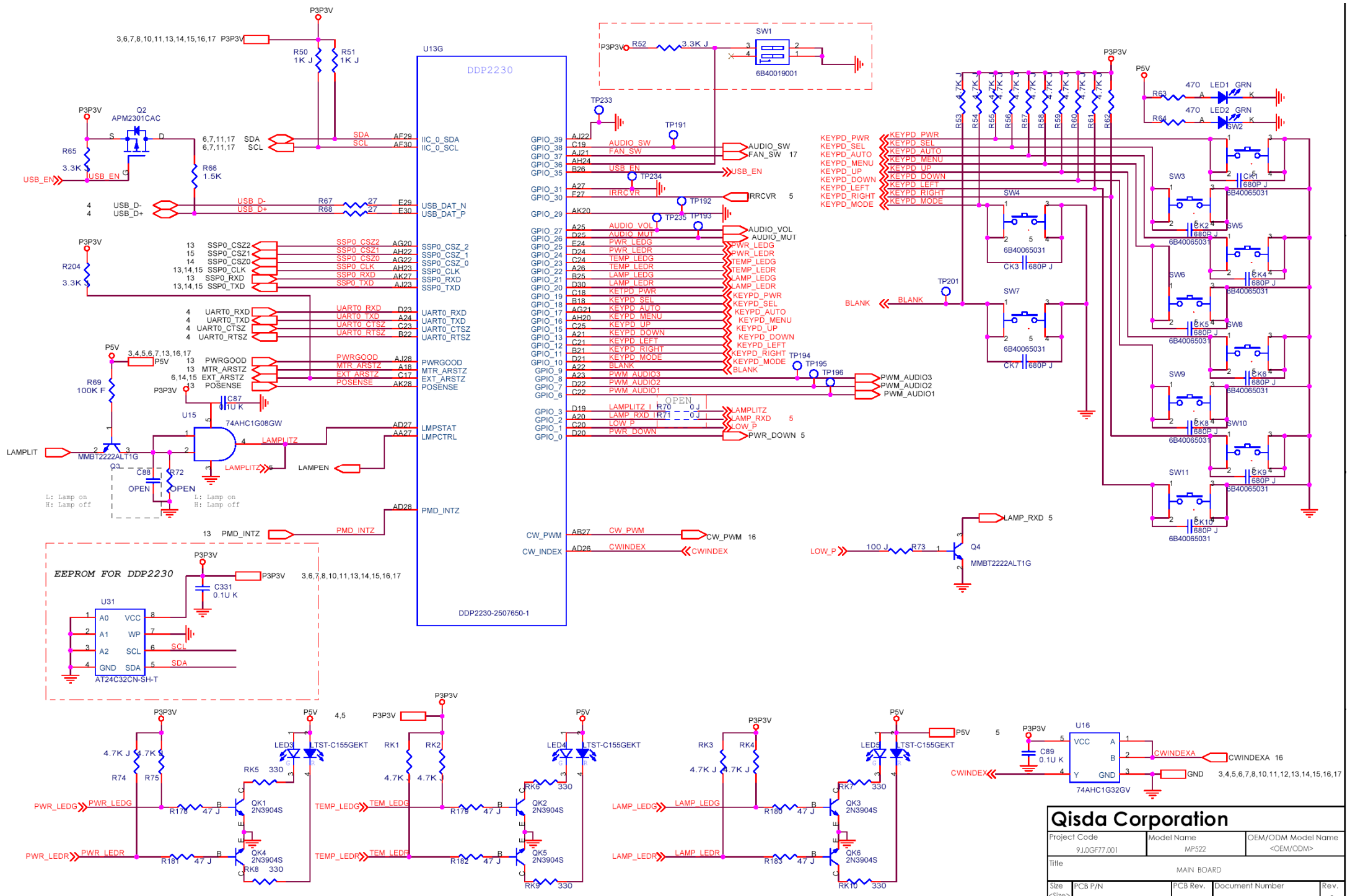


# Qisda Corporation

Project Code	Model Name	OEM/ODM Model Name		
9J.0GF77.001	MP522	<OEM/ODM>		
Title: MAIN BOARD				
Size	PCB P/N	PCB Rev.	Document Number	Rev.
<Size>	4H.0GF01.S03	S03	9J.0GF77.000-C3-304-001	2
Date:	Thursday, February 14, 2008	Sheet	7	of 17
Prepared By	Reviewed By	Approved By		

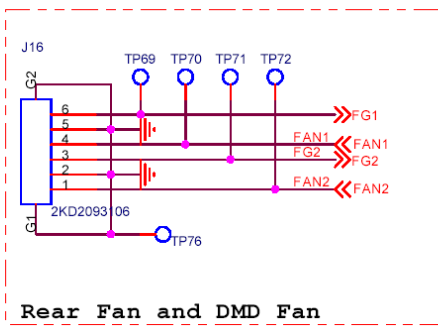
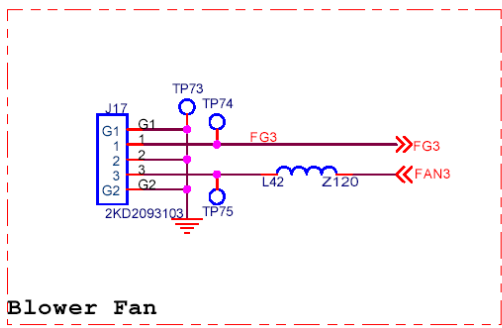
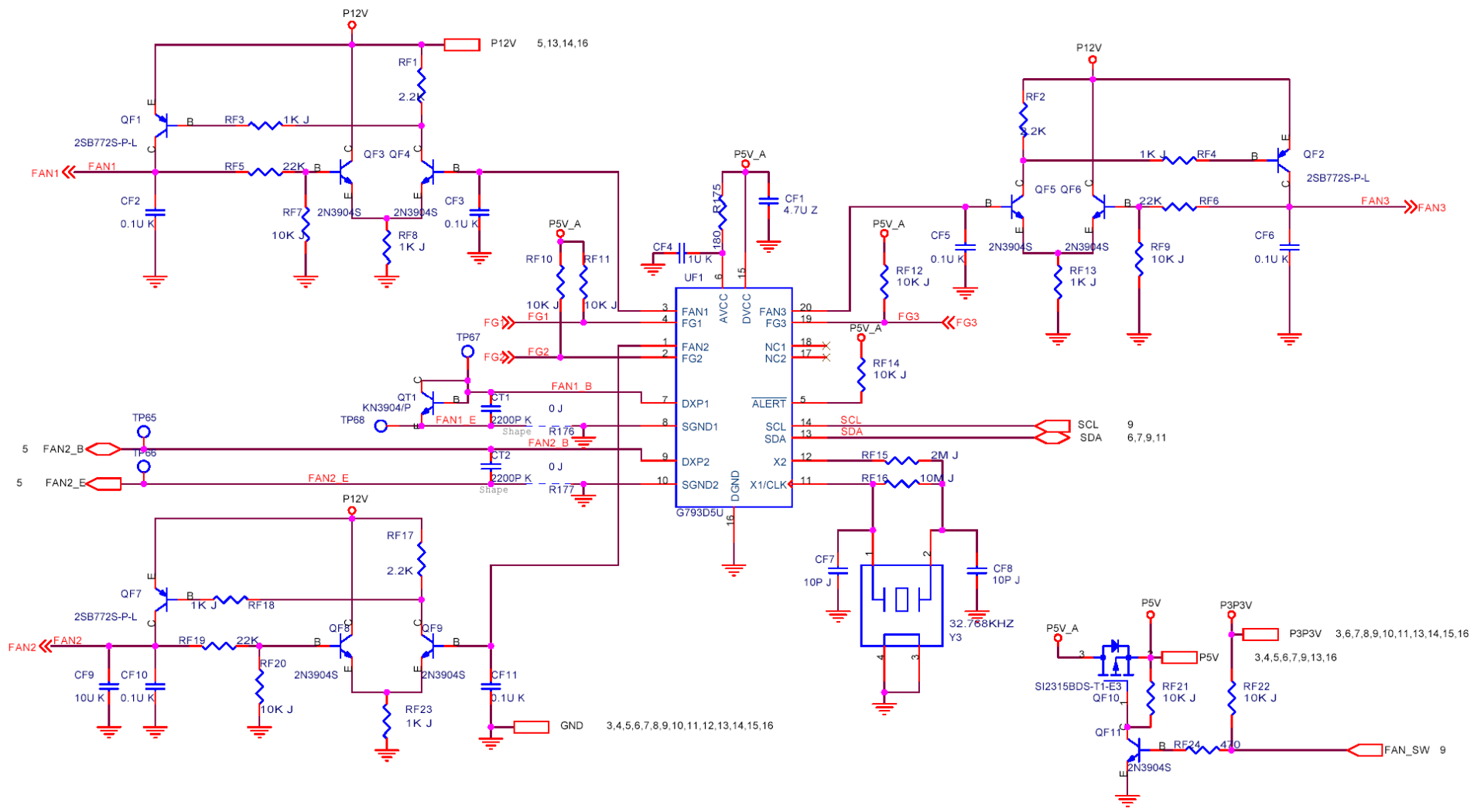






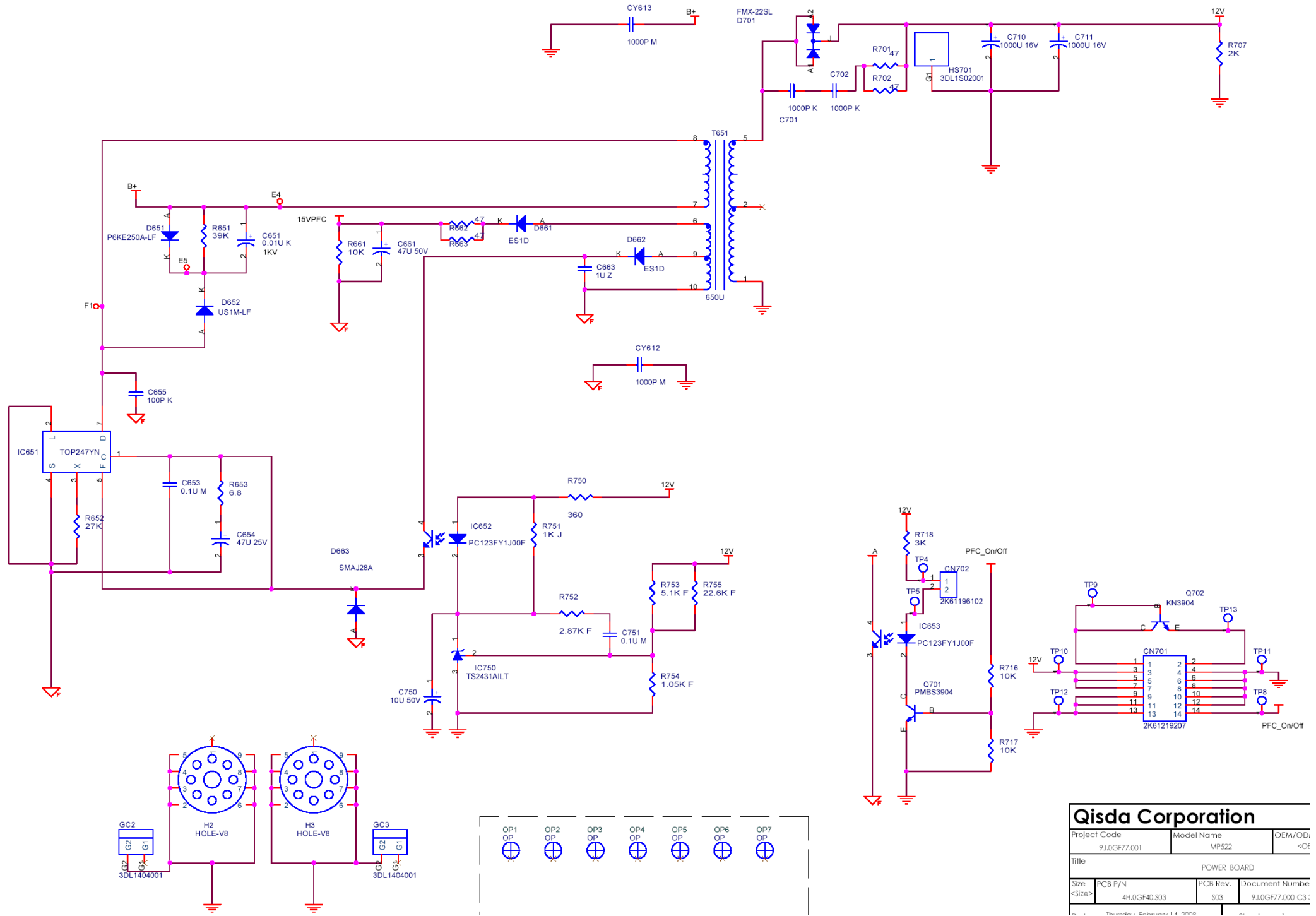
Keypad and LED circuit

<b>Qisda Corporation</b>			
Project Code	Model Name	OEM/ODM Model Name	
91.0GF77.001	MP522	<OEM/ODM>	
Title: MAIN BOARD			
Size	PCB P/N	PCB Rev.	Document Number
<Size>	4H.0GF01.503	S03	91.0GF77.000-C3-304-001
Date:	Thursday, February 14, 2008	Sheet	9 of 17
Prepared By	Reviewed By	Approved By	

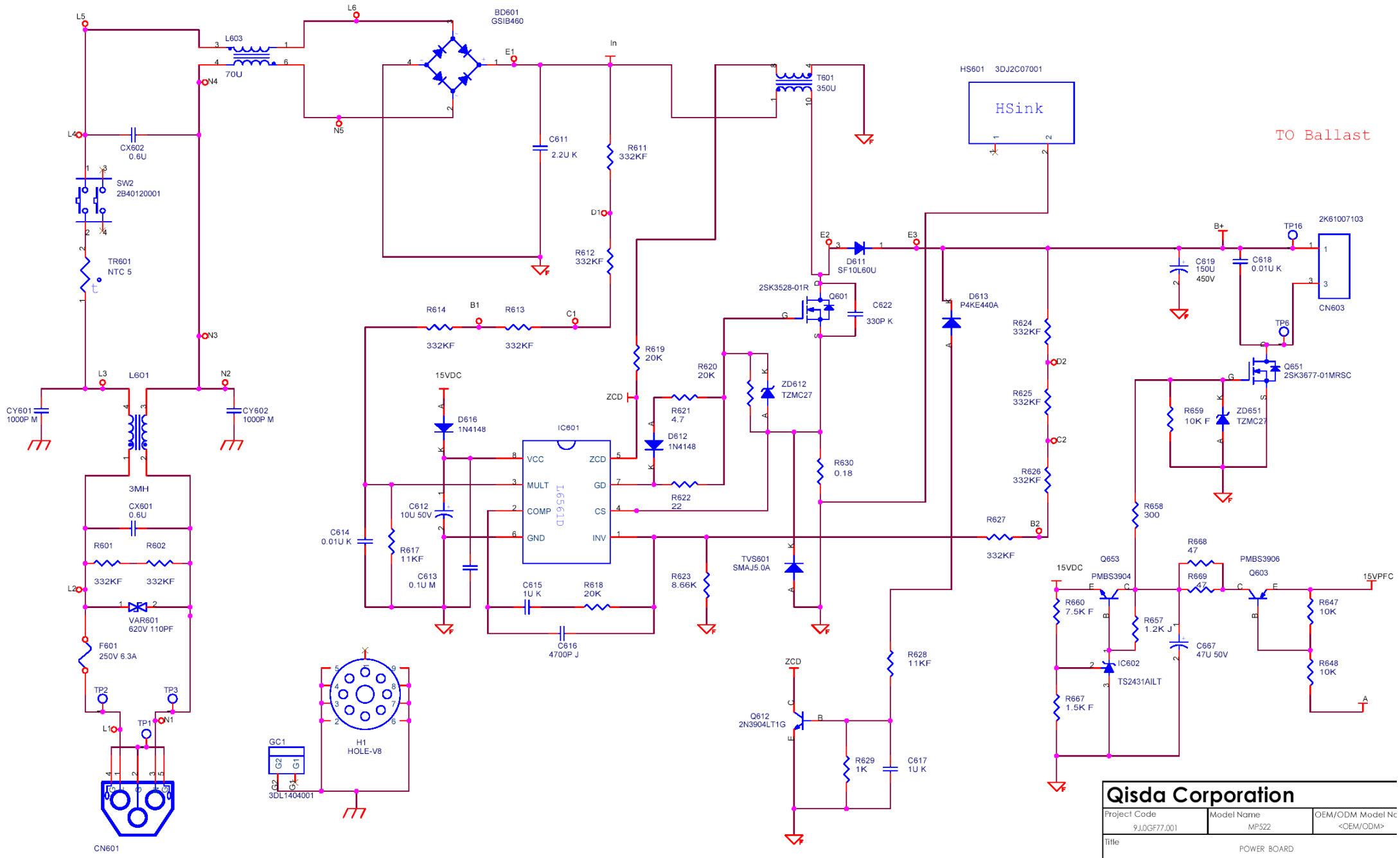


Qisda Corporation		
Project Code	Model Name	O/Ev
9J,0GF77.001	MP522	
Title		
MAIN BOARD		
Size	PCB P/N	PCB Rev. Document Nt

# Power board:



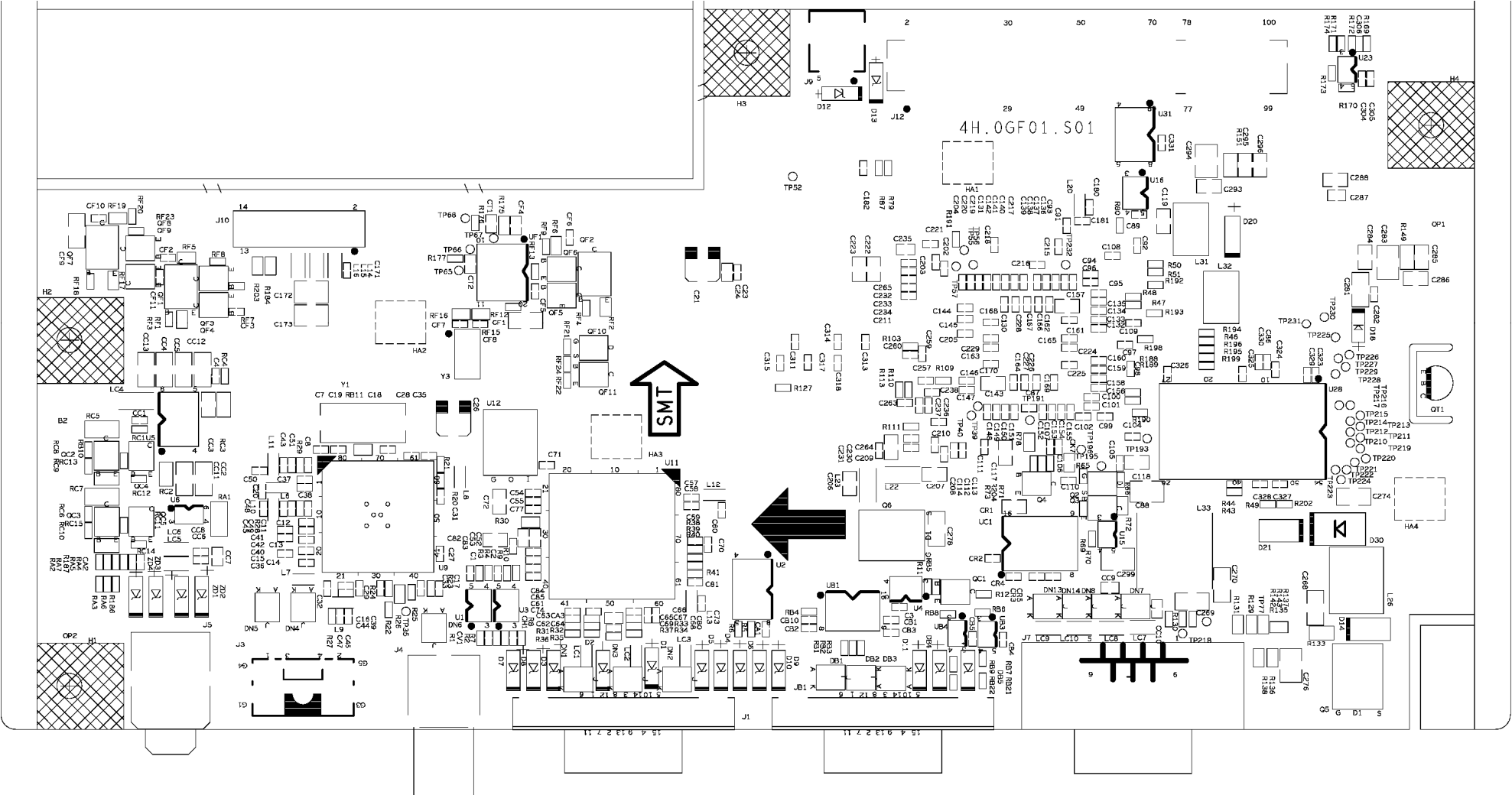
Qisda Corporation			
Project Code	Model Name	OEM/ODI	
9J0GF77.001	MP522	<OE	
Title POWER BOARD			
Size	PCB P/N	PCB Rev.	Document Number
<Size>	4H,0GF40,503	S03	9J,0GF77,000-C3-3
<small>Rev. 1.0 - Thursday, February 14, 2008</small>			



TO Ballast

Qisda Corporation		
Project Code	Model Name	OEM/ODM Model Name
9J.0GF77.001	MP522	<OEM/ODM>
Title		POWER BOARD

# PCB Artwork—Main board:





Power board:

