

SERVICE MANUAL

CD STEREO SYSTEM

BASIC TAPE MECHANISM : 2ZM-3MK2 YPR9NC
BASIC CD MECHANISM : BZG-5 ZD4GNDC2

| SYSTEM | CD CASSEIVER | SPEAKER | REMOTE CONTROLLER |
|----------|--------------|-----------|-------------------|
| NSX-TR99 | CX-SNTR99 | SX-SNTR99 | RC-CAS02 |

aiwa

S/M Code No. 09-029-361-5N2



TABLE OF CONTENTS -1/2

| | |
|--|---------|
| SPECIFICATIONS | 4, 5 |
| PROTECTION OF EYES FROM LASER BEAM DURING SERVICING | 6 |
| NOTE ON BEFORE STARTING REPAIR | 7, 8 |
| ACCESSORIES PARTS LIST..... | 9 |
| ELECTRICAL PARTS LIST | 10 ~ 30 |
| TRANSISTOR ILLUSTRATION | 31 |
| SCHEMATIC DIAGRAM -1/7 (MAIN C.B-1/3, AMP SECTION)..... | 32 |
| SCHEMATIC DIAGRAM -2/7 (MAIN C.B-2/3, TUNER SECTION) | 33 |
| SCHEMATIC DIAGRAM -3/7 (MAIN C.B-3/3, VF SECTION)..... | 34 |
| SCHEMATIC DIAGRAM -4/7 (MIC C.B) | 35 |
| WIRING -1/5 (MAIN C.B/MIC C.B/HP C.B)..... | 36 |
| SCHEMATIC DIAGRAM -5/7 (FRONT C.B/DECK C.B) | 37 |
| WIRING -2/5 (FRONT C.B) | 38 |
| WIRING -3/5 (DECK C.B) | 39 |
| SCHEMATIC DIAGRAM -6/7 (AMP C.B) | 40 |
| WIRING -4/5 (AMP C.B) | 41 |
| SCHEMATIC DIAGRAM -7/7 (POWER C.B) | 42 |
| WIRING -5/5 (POWER C.B)..... | 43 |
| ELECTRICAL ADJUSTMENT | 44 ~ 51 |
| CD TEST MODE | 52 |
| FL DISPLAY | 53, 54 |
| IC BLOCK DIAGRAM..... | 55 |
| IC DESCRIPTION | 56, 57 |
| MECHANICAL EXPLODED VIEW | 58 |
| MECHANICAL MAIN PARTS LIST | 59, 60 |
| COLOR NAME TABLE | 61 |
| TAPE MECHANISM EXPLODED VIEW <2ZM-3MK2> | 62 |
| TAPE MECHANISM PARTS LIST <2ZM-3MK2> | 63 |
| GENERAL SPEAKER DISASSEMBLY INSTRUCTIONS (FOR REFERENCE) | 64 |
| SPEAKER PARTS LIST (SX-SNTR99) | 65 |
| OTHER PARTS LIST | 66, 67 |

TABLE OF CONTENTS -2/2

CD MECHANISM SECTION

| | |
|--|---------|
| CD MECHANISM SECTION | 68 |
| How to Adjust the Rotating Phase of the Gear, Main Cam | 68 |
| ELECTRICAL PARTS LIST | 69 ~ 71 |
| TRANSISTOR ILLUSTRATION | 71 |
| BLOCK DIAGRAM-1/1 | 72 |
| WIRING-1/2 (3CD) | 73 |
| SCHEMATIC DIAGRAM -1/1 | 74 |
| WIRING -2/2 (T-T/MOTOR) | 75 |
| WAVE FORM | 76 |
| IC BLOCK DIAGRAM..... | 77 |
| IC DESCRIPTION | 78, 79 |
| CD MECHANISM EXPLODED VIEW <BZG-5> | 80 |
| CD MECHANISM PARTS LIST <BZG-5> | 81 |
| COLOR NAME TABLE..... | 82 |
| CD MECHANISM EXPLODED VIEW <KSM-2131FAM> | 83 |
| CD MECHANISM PARTS LIST <KSM-2131FAM>..... | 84 |

SPECIFICATIONS -1/2

MAIN UNIT CX-NTR99 (EZ)

TUNER

| | |
|-----------------------------|---|
| FM tuning range | 87.5 MHz to 108 MHz |
| FM usable sensitivity (IHF) | 16.8 dBf |
| FM antenna terminal | 75 ohms (unbalanced) |
| MW tuning range | 531 kHz to 1602 kHz (9 kHz step) 530 kHz to 1710 kHz (10 kHz step) |
| MW usable sensitivity | 350 μ V/m |
| LW tuning range | 144 kHz to 290 kHz |
| LW usable sensitivity | 1400 μ V/m |
| MW/LW antenna | Loop antenna |

AMPLIFIER

| | |
|---------------------------|---|
| Main frequency amplifier | |
| Power output | Rated: 56 W + 56 W (8 ohms, T.H.D. 1 %, 1 kHz/DIN 45500) Reference: 70 W + 70 W (8 ohms, T.H.D. 10 %, 1 kHz/DIN 45324) DIN MUSIC POWER: 115 W + 115 W |
| Total harmonic distortion | 0.08 % (40 W, 1 kHz, 8 ohms, DIN AUDIO) |
| Low frequency amplifier | |
| Power output | Rated: 88 W + 88 W (4 ohms, T.H.D. 1 %, 100 Hz) Reference: 110 W + 110 W (4 ohms, T.H.D. 10 %, 100 Hz) DIN MUSIC POWER: 165 W + 165 W |
| Total harmonic distortion | 0.08 % (60 W, 100 Hz, 4 ohms) |
| Inputs | VIDEO/AUX: 450 mV MIC: 1.7 mV (10 kohms) |
| Outputs | SPEAKERS MAIN: 8 ohms or more SPEAKERS LOW FREQ: 4 ohms or more PHONES: 32 ohms or more |

CASSETTE DECK

| | |
|--------------------|---|
| Track format | 4 tracks, 2 channels stereo |
| Frequency response | 50 Hz – 15 kHz |
| Recording system | AC bias |
| Heads | DECK 1: playback x 1 DECK 2: recording/playback x 1, erase x 1 |

CD PLAYER

| | |
|-----------------------|---|
| Laser | Semiconductor laser ($\lambda = 780$ nm) |
| D/A converter | 1 bit dual |
| Signal-to-noise ratio | 85 dB (1 kHz, 0 dB) |
| Harmonic distortion | 0.05 % (1 kHz, 0 dB) |

GENERAL

| | |
|-----------------------------------|--|
| Power requirements | 230 V AC, 50 Hz |
| Power consumption | 168 W |
| Power consumption in standby mode | With ECO mode on: 0.6 W With ECO mode off: 23 W |
| Dimensions (W x H x D) | 260 x 324 x 391 mm |
| Weight | 10.2 kg |

FRONT SPEAKERS SX-NTR99

| | |
|------------------------|--|
| Speaker system | 3 way, bass reflex |
| Speaker units | Woofer: 140 mm cone x 3 Tweeter: 80 mm cone Super tweeter: 20 mm ceramic |
| Impedance | Main: 8 ohms Low freq.: 4 ohms |
| Dimensions (W x H x D) | 310 x 404 x 340 mm |
| Weight | 8.3 kg |

Specifications and external appearance are subject to change without notice.

SPECIFICATIONS -2/2

MAIN UNIT CX-NTR99 (K)

TUNER

| | |
|-----------------------------|---|
| FM tuning range | 87.5 MHz to 108 MHz |
| FM usable sensitivity (IHF) | 16.8 dBf |
| FM antenna terminal | 75 ohms (unbalanced) |
| MW tuning range | 531 kHz to 1602 kHz (9 kHz step) 530 kHz to 1710 kHz (10 kHz step) |
| MW usable sensitivity | 350 μ V/m |
| LW tuning range | 144 kHz to 290 kHz |
| LW usable sensitivity | 1400 μ V/m |
| MW/LW antenna | Loop antenna |

AMPLIFIER

| | |
|---------------------------|---|
| Main frequency amplifier | |
| Power output | Rated: 56 W + 56 W (8 ohms, T.H.D. 1 %, 1 kHz/DIN 45500) Reference: 70 W + 70 W (8 ohms, T.H.D. 10 %, 1 kHz/DIN 45324) |
| Total harmonic distortion | 0.08 % (40 W, 1 kHz, 8 ohms, DIN AUDIO) |
| Low frequency amplifier | |
| Power output | Rated: 88 W + 88 W (4 ohms, T.H.D. 1 %, 100 Hz) Reference: 110 W + 110 W (4 ohms, T.H.D. 10 %, 100 Hz) |
| Total harmonic distortion | 0.08 % (60 W, 100 Hz, 4 ohms) |
| Inputs | VIDEO/AUX: 450 mV MIC: 1.7 mV (10 kohms) |
| Outputs | SPEAKERS MAIN: 8 ohms or more SPEAKERS LOW FREQ: 4 ohms or more PHONES: 32 ohms or more |

CASSETTE DECK

| | |
|--------------------|---|
| Track format | 4 tracks, 2 channels stereo |
| Frequency response | 50 Hz – 15 kHz |
| Recording system | AC bias |
| Heads | DECK 1: playback x 1 DECK 2: recording/playback x 1, erase x 1 |

CD PLAYER

| | |
|-----------------------|---|
| Laser | Semiconductor laser ($\lambda = 780$ nm) |
| D/A converter | 1 bit dual |
| Signal-to-noise ratio | 85 dB (1 kHz, 0 dB) |
| Harmonic distortion | 0.05 % (1 kHz, 0 dB) |

GENERAL

| | |
|-----------------------------------|--|
| Power requirements | 230 V AC, 50 Hz |
| Power consumption | 168 W |
| Power consumption in standby mode | With ECO mode on: 0.6 W With ECO mode off: 23 W |
| Dimensions (W x H x D) | 260 x 324 x 391 mm |
| Weight | 10.2 kg |

FRONT SPEAKERS SX-NTR99

| | |
|------------------------|---|
| Speaker system | 3 way, bass reflex |
| Speaker units | Woofers: 140 mm cone x 3 Tweeter: 80 mm cone Super tweeter: 20 mm ceramic |
| Impedance | Main: 8 ohms Low freq.: 4 ohms |
| Dimensions (W x H x D) | 310 x 404 x 340 mm |
| Weight | 8.3 kg |

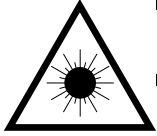
Specifications and external appearance are subject to change without notice.

PROTECTION OF EYES FROM LASER BEAM DURING SERVICING -1/1

This set employs laser. Therefore, be sure to follow carefully the instructions below when servicing.

WARNING!!

WHEN SERVICING, DO NOT APPROACH THE LASER EXIT WITH THE EYE TOO CLOSELY. IN CASE IT IS NECESSARY TO CONFIRM LASER BEAM EMISSION. BE SURE TO OBSERVE FROM A DISTANCE OF MORE THAN 30cm FROM THE SURFACE OF THE OBJECTIVE LENS ON THE OPTICAL PICK-UP BLOCK.



- Caution: Invisible laser radiation when open and interlocks defeated avoid exposure to beam.
- Advarsel: Usynlig laserstråling ved åbning, når sikkerhedsafbrydere er ude af funktion. Undgå udsættelse for stråling.

VAROITUS!

Laiteen Käyttäminen muulla kuin tässä käyttöohjeessa mainitulla tavalla saattaa altistaa käyttäjän turvallisuusluokan 1 ylittävälle näkymättömälle lasersäteilylle.

WARNING!

Om apparaten används på annat sätt än vad som specificeras i denna bruksanvisning, kan användaren utsättas för osynlig laserstråling, som överskrider gränsen för laserklass 1.

CAUTION

Use of controls or adjustments or performance of procedures other than those specified herein may result in hazardous radiation exposure.

ATTENTION

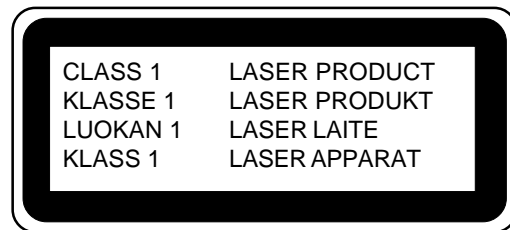
L'utilisation de commandes, réglages ou procédures autres que ceux spécifiés peut entraîner une dangereuse exposition aux radiations.

ADVARSEL

Usynlig laserstråling ved åbning, når sikkerhedsafbrydere er ude af funktion. Undgå udsættelse for stråling.

This Compact Disc player is classified as a CLASS 1 LASER product.

The CLASS 1 LASER PRODUCT label is located on the rear exterior.

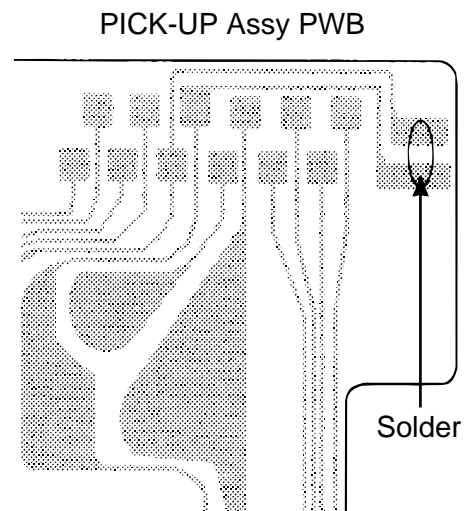


Precaution to replace Optical block

(KSS-213F)

Body or clothes electrostatic potential could ruin laser diode in the optical block. Be sure ground body and workbench, and use care the clothes do not touch the diode.

- 1) After the connection, remove solder shown in right figure.



NOTE ON BEFORE STARTING REPAIR -1/2

1. Forced discharge of electrolytic capacitor of power supply block

When repair is going to be attempted in the set that uses relay circuit in the power supply block, electric potential is kept charged across the electrolytic capacitors (C101, 102) even though AC power cord is removed. If repair is attempted in this condition, secondary defect can occur. In order to prevent the secondary trouble, perform the following measures before starting repair work.

Discharge procedure

- ① Remove the AC power cord.
- ② Connect a discharging resistor at an end of lead wire that has clips at both ends. Connect the other end of the lead wire to metal chassis.
- ③ Contact the other end of the discharging resistor to the positive (+) side (+VH) of C101. (For two seconds)
- ④ Contact the same end of the discharging resistor as step ③ to the negative (-) side (-VH) of C102 in the same way. (For two seconds)
- ⑤ Check that voltage across C101 and C102 has decreased to 1 V or less using a multimeter or an oscilloscope.

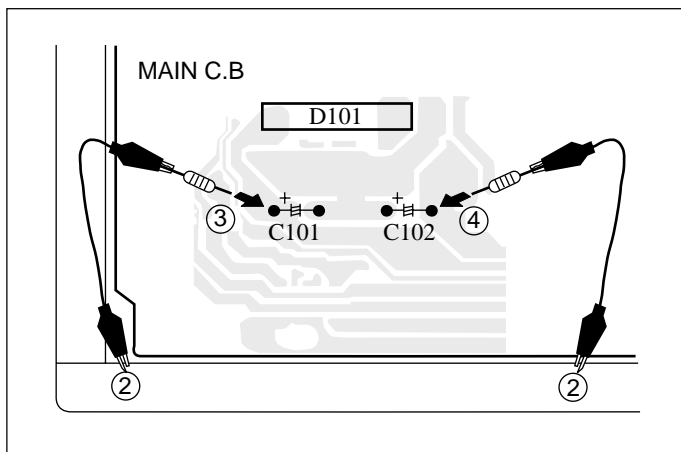


Fig-1

Select a discharging resistor referring to the following table.

| Charging voltage (V) (C101, 102) | Discharging resistor (Ω) | Rated power (W) | Parts number |
|-------------------------------------|-----------------------------------|-----------------|----------------|
| 25-48 | 100 | 3 | 87-A00-247-090 |
| 49-140 | 220 | 5 | 87-A00-232-090 |

Note: The reference numbers (C101, C102) of the electrolytic capacitors can change depending on the models. Be sure to check the reference numbers of the charging capacitors on schematic diagram before starting the discharging work.

2. Check items before exchanging the MICROCOMPUTER

Be sure to check the following items before exchanging the MICROCOMPUTER. Exchange the MICROCOMPUTER after confirming that the MICROCOMPUTER is surely defective.

2-1. Regarding the HOLD terminal of the MICROCOMPUTER

When the HOLD terminal (INPUT) of the MICROCOMPUTER is "H", the MICROCOMPUTER is judged to be operating correctly.

When this terminal is "L", the main power cannot be turned on. Therefore, be sure to check the terminal voltage of the HOLD terminal before exchange.

When the MICROCOMPUTER is not defective, the HOLD terminal can also go "L" when the POWER AMPLIFIER has any abnormalities that triggers the abnormality detection circuit on the MAIN C. B. that sets the HOLD terminal to "L".

- Good or no good judgement of the MICROCOMPUTER

- ① Turn on the AC main power.
- ② Confirm that the main power is turned on and the HOLD terminal of the MICROCOMPUTER keeps the "H" level or not.
- ③ When the HOLD terminal is "L" level, the abnormality detection circuit is judged to be working correctly and the MICROCOMPUTER is judged to be good.

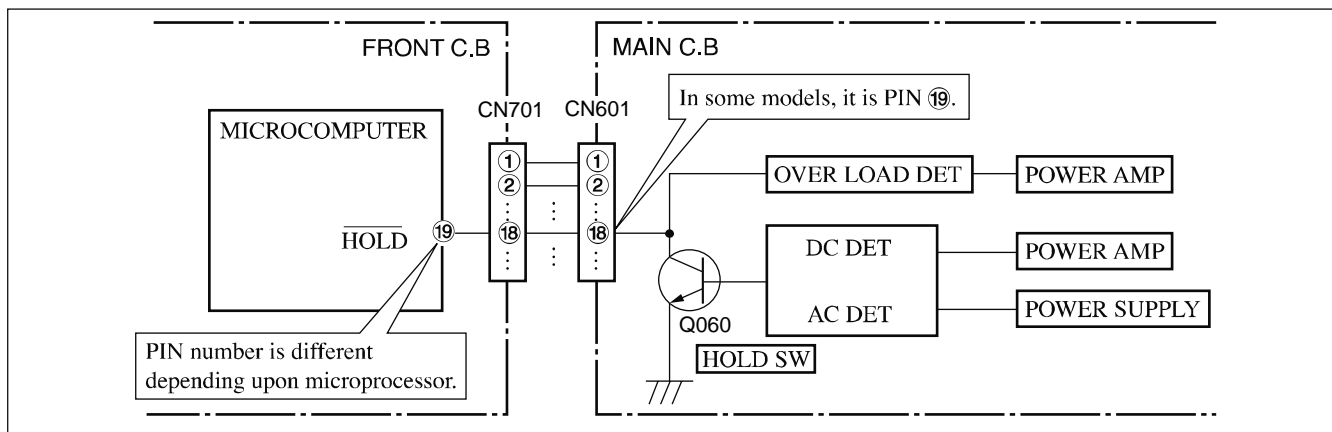


Fig-2-1

NOTE ON BEFORE STARTING REPAIR -2/2

In such a case, check also if the POWER AMPLIFIER circuit or power supply circuit has any abnormalities or not.

2-2. Regarding reset

There are cases that the machine does not work correctly because the MICROCOMPUTER is not reset even though the AC power cord is re-inserted, or the software reset (pressing the STOP key + POWER key) is performed.

When the above described phenomenon occurs, it can lead to wrong judgement as if the MICROCOMPUTER is defective and to exchange the MICROCOMPUTER. In such a case, perform the forced-reset by the following procedure and check good or no good of the MICROCOMPUTER.

- ① Remove the AC power cord.

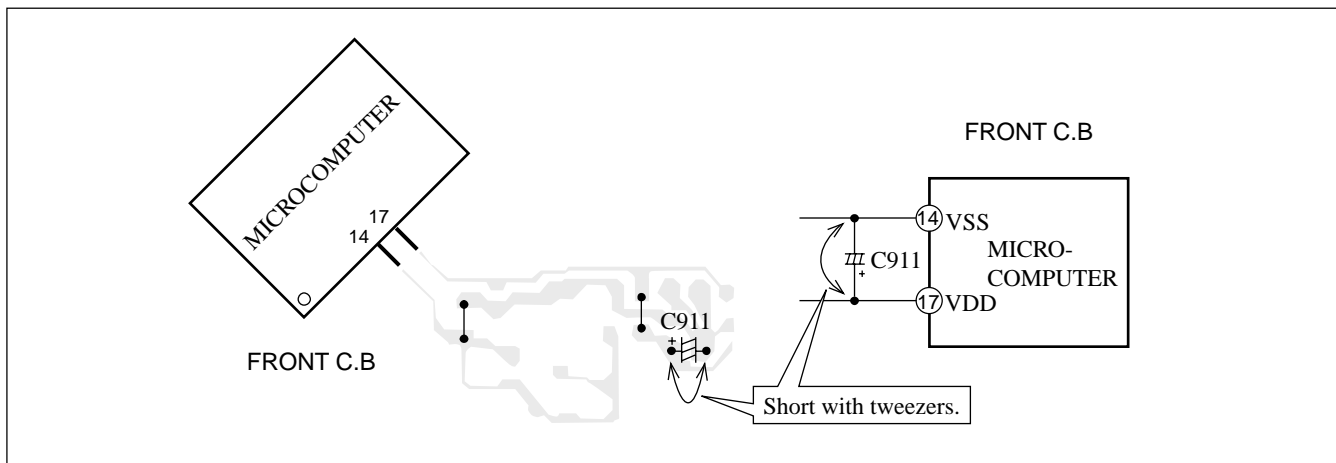


Fig-2-2

- ② Short both ends of the electrolytic capacitor C911 that is connected to VDD of the MICROCOMPUTER with tweezers.
- ③ Connect the AC power cord again. If the MICROCOMPUTER returns to the normal operation, the MICROCOMPUTER is good.

Note: The reference number or MICROCOMPUTER pin number of transistor (Q060) and electrolytic capacitor (C911) can change depending on the models. Be sure to check the reference numbers on schematic diagram before starting the discharging work.

2-3. Confirmation of soldering state of MICROCOMPUTER

Check the soldering state of the MICROCOMPUTER in addition to the above described procedures. Be sure to exchange the MICROCOMPUTER after surely confirming that the trouble is not caused by poor soldering but the MICROCOMPUTER itself.

ACCESSORIES PARTS LIST -1/1

! = Δ SAFTY PARTS

C = Components marked

All components used on this model at the production line are shown in this service manual.

However, please note that not all components will be available as spare parts for after-sales service.

Components marked S and O are designated as spare parts for service and will be stocked at the spare parts centers.

Components marked X and R are not designated as spare parts for after sales service, and will not be stocked at the spare parts centers.

| UNIT-NAME | ! C | REF-NO | PARTS-NO | PARTS-NAME | SUFFIX&MODEL | |
|-----------|-----|--------|----------------|--------------------------|--------------|-----------|
| | | | | | CX-SNTR99 | CX-SNTR99 |
| | | | | | EZSTC | KSTC |
| | O | AS1001 | 8C-NFR-906-010 | IB, EZ (9L) BF NSX-TR99 | a | . |
| | O | AS1001 | 8C-NFR-905-010 | IB, K (E) BF NSX-TR99 | . | b |
| | O | AS1002 | 8C-NF5-701-010 | RC UNIT, RC-CAS02 ALPS | a | b |
| | O | AS1003 | 87-006-225-110 | ANT, LOOP ANT NC2 | a | b |
| | O | AS1004 | 87-A92-346-110 | ANT, WIRE FM (FASTEN) | a | b |
| | X | AS1007 | 87-B50-079-010 | LIST, FACILITY (B) -0007 | a | b |
| | X | AS1009 | 87-B40-085-010 | BAG, PV 0.04-200-350 PL | a | b |

ELECTRICAL PARTS LIST - 1/21

! = Δ SAFTY PARTS
 C = Components marked

All components used on this model at the production line are shown in this service manual.

However, please note that not all components will be available as spare parts for after-sales service.

Components marked S and O are designated as spare parts for service and will be stocked at the spare parts centers.

Components marked X and R are not designated as spare parts for after sales service, and will not be stocked at the spare parts centers.

| UNIT-NAME | ! C | REF-NO | PARTS-NO | PARTS-NAME | SUFFIX&MODEL | |
|-----------|-----|--------|----------------|----------------------------|--------------------|-------------------|
| | | | | | CX-SNTR99 EZSTC | CX-SNTR99 KSTC |
| AMP | O C | 0101 | 87-012-284-080 | C-CAP,U 6800P-50 K B GRM | a | b |
| AMP | O C | 0102 | 87-012-284-080 | C-CAP,U 6800P-50 K B GRM | a | b |
| AMP | O C | 0103 | 87-010-402-080 | CAP,E 2.2-50 M 11L SME | a | b |
| AMP | O C | 0104 | 87-010-402-080 | CAP,E 2.2-50 M 11L SME | a | b |
| AMP | O C | 0107 | 87-010-405-080 | CAP,E 10-50 M 11L SME | a | b |
| AMP | O C | 0108 | 87-010-405-080 | CAP,E 10-50 M 11L SME | a | b |
| AMP | O C | 0109 | 87-012-195-080 | C-CAP,U 100P-50 J CH GRM | a | b |
| AMP | O C | 0110 | 87-012-195-080 | C-CAP,U 100P-50 J CH GRM | a | b |
| AMP | O C | 0111 | 87-010-260-080 | CAP,E 47-25 M 11L SME | a | b |
| AMP | O C | 0112 | 87-010-260-080 | CAP,E 47-25 M 11L SME | a | b |
| AMP | O C | 0113 | 87-012-195-080 | C-CAP,U 100P-50 J CH GRM | a | b |
| AMP | O C | 0114 | 87-012-195-080 | C-CAP,U 100P-50 J CH GRM | a | b |
| AMP | O C | 0117 | 87-A12-317-080 | C-CAP,U 0.1-50 Z F | a | b |
| AMP | O C | 0118 | 87-A12-317-080 | C-CAP,U 0.1-50 Z F | a | b |
| AMP | O C | 0119 | 87-012-286-080 | C-CAP,U 0.01-25 K B GRM | a | b |
| AMP | O C | 0120 | 87-012-286-080 | C-CAP,U 0.01-25 K B GRM | a | b |
| AMP | O C | 0123 | 87-A12-470-080 | C-CAP,U 820P-50 J SL | a | b |
| AMP | O C | 0124 | 87-A12-470-080 | C-CAP,U 820P-50 J SL | a | b |
| AMP | O C | 0125 | 87-012-195-080 | C-CAP,U 100P-50 J CH GRM | a | b |
| AMP | O C | 0126 | 87-012-195-080 | C-CAP,U 100P-50 J CH GRM | a | b |
| AMP | O C | 0186 | 87-010-759-080 | C-CAP,U 0.1-25 Z F CM/CB | a | b |
| AMP | O C | 0187 | 87-010-406-080 | CAP,E 22-50 M 11L SME | a | b |
| AMP | O C | 0188 | 87-010-406-080 | CAP,E 22-50 M 11L SME | a | b |
| AMP | O C | 0193 | 87-012-273-080 | C-CAP,U 820P-50 K B GRM | a | b |
| AMP | O C | 0194 | 87-012-273-080 | C-CAP,U 820P-50 K B GRM | a | b |
| AMP | O C | 0233 | 87-012-282-080 | C-CAP,U 4700P-50 K B GRM | a | b |
| AMP | O C | 0240 | 87-012-278-080 | C-CAP,U 2200P-50 K B GRM | a | b |
| AMP | O C | 0291 | 87-010-831-080 | C-CAP,U 0.1-16 Z F GRM | a | b |
| AMP | O C | 0292 | 87-010-831-080 | C-CAP,U 0.1-16 Z F GRM | a | b |
| AMP | O C | 0293 | 87-010-831-080 | C-CAP,U 0.1-16 Z F GRM | a | b |
| AMP | O C | 0294 | 87-010-831-080 | C-CAP,U 0.1-16 Z F GRM | a | b |
| AMP | O C | 0301 | 87-012-274-080 | C-CAP,U 1000P-50 K B GRM | a | b |
| AMP | O C | 0302 | 87-012-274-080 | C-CAP,U 1000P-50 K B GRM | a | b |
| AMP | O C | 0303 | 87-010-546-080 | CAP,E 0.33-50 M 11L SME | a | b |
| AMP | O C | 0304 | 87-010-546-080 | CAP,E 0.33-50 M 11L SME | a | b |
| AMP | O C | 0307 | 87-010-404-080 | CAP,E 4.7-50 M 11L SME | a | b |
| AMP | O C | 0308 | 87-010-404-080 | CAP,E 4.7-50 M 11L SME | a | b |
| AMP | O C | 0309 | 87-012-195-080 | C-CAP,U 100P-50 J CH GRM | a | b |
| AMP | O C | 0310 | 87-012-195-080 | C-CAP,U 100P-50 J CH GRM | a | b |
| AMP | O C | 0311 | 87-010-406-080 | CAP,E 22-50 M 11L SME | a | b |
| AMP | O C | 0312 | 87-010-406-080 | CAP,E 22-50 M 11L SME | a | b |
| AMP | O C | 0313 | 87-012-195-080 | C-CAP,U 100P-50 J CH GRM | a | b |
| AMP | O C | 0314 | 87-012-195-080 | C-CAP,U 100P-50 J CH GRM | a | b |
| AMP | O C | 0317 | 87-A12-317-080 | C-CAP,U 0.1-50 Z F | a | b |
| AMP | O C | 0318 | 87-A12-317-080 | C-CAP,U 0.1-50 Z F | a | b |
| AMP | O C | 0319 | 87-012-286-080 | C-CAP,U 0.01-25 K B GRM | a | b |
| AMP | O C | 0320 | 87-012-286-080 | C-CAP,U 0.01-25 K B GRM | a | b |
| AMP | O C | 0323 | 87-A12-470-080 | C-CAP,U 820P-50 J SL | a | b |
| AMP | O C | 0324 | 87-A12-470-080 | C-CAP,U 820P-50 J SL | a | b |
| AMP | O C | 0325 | 87-012-195-080 | C-CAP,U 100P-50 J CH GRM | a | b |
| AMP | O C | 0326 | 87-012-195-080 | C-CAP,U 100P-50 J CH GRM | a | b |
| AMP | O C | 0393 | 87-012-273-080 | C-CAP,U 820P-50 K B GRM | a | b |
| AMP | O C | 0394 | 87-012-273-080 | C-CAP,U 820P-50 K B GRM | a | b |
| AMP | O | CN0102 | 87-A61-011-010 | CONN,13P H BLK TAC-L13P-A3 | a | b |
| AMP | O | CN0103 | 87-A61-013-010 | CONN,15P H BLK TAC-L15P-A3 | a | b |
| AMP | S D | 0101 | 87-A40-269-040 | C-DIODE,MC2836 | a | b |
| AMP | S D | 0103 | 87-020-465-080 | DIODE,1SS133 | a | b |
| AMP | S D | 0104 | 87-020-465-080 | DIODE,1SS133 | a | b |
| AMP | S D | 0105 | 87-A40-269-040 | C-DIODE,MC2836 | a | b |
| AMP | S D | 0106 | 87-A40-269-040 | C-DIODE,MC2836 | a | b |
| AMP | S D | 0107 | 87-A40-270-040 | C-DIODE,MC2838 | a | b |
| AMP | S D | 0108 | 87-A40-270-040 | C-DIODE,MC2838 | a | b |
| AMP | S D | 0109 | 87-A40-488-080 | DIODE,1SS244 | a | b |
| AMP | S D | 0110 | 87-A40-488-080 | DIODE,1SS244 | a | b |
| AMP | S D | 0150 | 87-A40-270-040 | C-DIODE,MC2838 | a | b |
| AMP | S D | 0183 | 87-070-178-090 | DIODE,1N5402-BD54 | a | b |
| AMP | S D | 0184 | 87-070-178-090 | DIODE,1N5402-BD54 | a | b |
| AMP | S D | 0185 | 87-070-178-090 | DIODE,1N5402-BD54 | a | b |
| AMP | S D | 0186 | 87-070-178-090 | DIODE,1N5402-BD54 | a | b |
| AMP | S D | 0187 | 87-A40-747-080 | ZENER,UZ5.1BSB | a | b |
| AMP | S D | 0188 | 87-A40-749-080 | ZENER,UZ5.6BSB | a | b |
| AMP | S D | 0189 | 87-A40-270-040 | C-DIODE,MC2838 | a | b |
| AMP | S D | 0190 | 87-A40-269-040 | C-DIODE,MC2836 | a | b |
| AMP | S D | 0191 | 87-A40-764-080 | ZENER,UZ10BSC | a | b |
| AMP | S D | 0192 | 87-020-465-080 | DIODE,1SS133 | a | b |
| AMP | S D | 0193 | 87-020-465-080 | DIODE,1SS133 | a | b |
| AMP | S D | 0201 | 87-A40-270-040 | C-DIODE,MC2838 | a | b |
| AMP | S D | 0210 | 87-A40-269-040 | C-DIODE,MC2836 | a | b |
| AMP | S D | 0211 | 87-A40-270-040 | C-DIODE,MC2838 | a | b |
| AMP | S D | 0260 | 87-A40-270-040 | C-DIODE,MC2838 | a | b |

ELECTRICAL PARTS LIST - 2/21

! = Δ SAFTY PARTS
 C = Components marked

All components used on this model at the production line are shown in this service manual.

However, please note that not all components will be available as spare parts for after-sales service.

Components marked S and O are designated as spare parts for service and will be stocked at the spare parts centers.

Components marked X and R are not designated as spare parts for after sales service, and will not be stocked at the spare parts centers.

| UNIT-NAME | ! C | REF-NO | PARTS-NO | PARTS-NAME | SUFFIX&MODEL | | |
|-----------|-----|--------|----------|----------------|----------------------|-------------------|---|
| | | | | | CX-SNTR99 EZSTC | CX-SNTR99 KSTC | |
| AMP | S | D | 0280 | 87-020-465-080 | DIODE,1SS133 | a | b |
| AMP | S | D | 0281 | 87-020-465-080 | DIODE,1SS133 | a | b |
| AMP | S | D | 0301 | 87-A40-269-040 | C-DIODE,MC2836 | a | b |
| AMP | S | D | 0303 | 87-020-465-080 | DIODE,1SS133 | a | b |
| AMP | S | D | 0304 | 87-020-465-080 | DIODE,1SS133 | a | b |
| AMP | S | D | 0305 | 87-A40-269-040 | C-DIODE,MC2836 | a | b |
| AMP | S | D | 0306 | 87-A40-269-040 | C-DIODE,MC2836 | a | b |
| AMP | S | D | 0307 | 87-A40-270-040 | C-DIODE,MC2838 | a | b |
| AMP | S | D | 0308 | 87-A40-270-040 | C-DIODE,MC2838 | a | b |
| AMP | S | D | 0309 | 87-A40-488-080 | DIODE,1SS244 | a | b |
| AMP | S | D | 0310 | 87-A40-488-080 | DIODE,1SS244 | a | b |
| AMP | S | D | 0350 | 87-A40-270-040 | C-DIODE,MC2838 | a | b |
| AMP | S | D | 0389 | 87-A40-270-040 | C-DIODE,MC2838 | a | b |
| AMP | S | D | 0390 | 87-A40-269-040 | C-DIODE,MC2836 | a | b |
| AMP | S | Q | 0011 | 89-213-702-010 | TR,2SB1370E | a | b |
| AMP | S | Q | 0101 | 87-A30-675-040 | C-TR,2SD1306NE07TL | a | b |
| AMP | S | Q | 0102 | 87-A30-675-040 | C-TR,2SD1306NE07TL | a | b |
| AMP | S | Q | 0103 | 87-A30-669-040 | C-TR,SBT5401 | a | b |
| AMP | S | Q | 0104 | 87-A30-669-040 | C-TR,SBT5401 | a | b |
| AMP | S | Q | 0105 | 87-A30-669-040 | C-TR,SBT5401 | a | b |
| AMP | S | Q | 0106 | 87-A30-669-040 | C-TR,SBT5401 | a | b |
| AMP | S | Q | 0107 | 87-A30-076-040 | C-TR,2SC3052F | a | b |
| AMP | S | Q | 0108 | 87-A30-076-040 | C-TR,2SC3052F | a | b |
| AMP | S | Q | 0109 | 87-A30-076-040 | C-TR,2SC3052F | a | b |
| AMP | S | Q | 0110 | 87-A30-076-040 | C-TR,2SC3052F | a | b |
| AMP | S | Q | 0111 | 87-A30-672-080 | TR,2N5551C | a | b |
| AMP | S | Q | 0112 | 87-A30-672-080 | TR,2N5551C | a | b |
| AMP | S | Q | 0113 | 87-A30-076-040 | C-TR,2SC3052F | a | b |
| AMP | S | Q | 0114 | 87-A30-076-040 | C-TR,2SC3052F | a | b |
| AMP | S | Q | 0115 | 87-A30-670-040 | C-TR,SBT5551 | a | b |
| AMP | S | Q | 0116 | 87-A30-670-040 | C-TR,SBT5551 | a | b |
| AMP | S | Q | 0121 | 87-A30-672-080 | TR,2N5551C | a | b |
| AMP | S | Q | 0122 | 87-A30-672-080 | TR,2N5551C | a | b |
| AMP | S | Q | 0123 | 87-A30-669-040 | C-TR,SBT5401 | a | b |
| AMP | S | Q | 0124 | 87-A30-669-040 | C-TR,SBT5401 | a | b |
| AMP | S | Q | 0127 | 87-A30-076-040 | C-TR,2SC3052F | a | b |
| AMP | S | Q | 0128 | 87-A30-076-040 | C-TR,2SC3052F | a | b |
| AMP | S | Q | 0131 | 87-A30-098-010 | TR,FP1016 | a | b |
| AMP | S | Q | 0132 | 87-A30-098-010 | TR,FP1016 | a | b |
| AMP | S | Q | 0133 | 87-A30-097-010 | TR,FN1016 | a | b |
| AMP | S | Q | 0134 | 87-A30-097-010 | TR,FN1016 | a | b |
| AMP | S | Q | 0183 | 87-A30-186-010 | FET,2SK3053 | a | b |
| AMP | S | Q | 0184 | 87-A30-186-010 | FET,2SK3053 | a | b |
| AMP | S | Q | 0185 | 87-A30-076-040 | C-TR,2SC3052F | a | b |
| AMP | S | Q | 0186 | 87-A30-075-040 | C-TR,2SA1235F | a | b |
| AMP | S | Q | 0187 | 87-A30-075-040 | C-TR,2SA1235F | a | b |
| AMP | S | Q | 0211 | 87-A30-669-040 | C-TR,SBT5401 | a | b |
| AMP | S | Q | 0212 | 87-A30-538-040 | C-TR,SRA2202S | a | b |
| AMP | S | Q | 0226 | 87-A30-669-040 | C-TR,SBT5401 | a | b |
| AMP | S | Q | 0230 | 87-A30-670-040 | C-TR,SBT5551 | a | b |
| AMP | S | Q | 0235 | 87-A30-075-040 | C-TR,2SA1235F | a | b |
| AMP | S | Q | 0280 | 87-A30-538-040 | C-TR,SRA2202S | a | b |
| AMP | S | Q | 0281 | 87-A30-669-040 | C-TR,SBT5401 | a | b |
| AMP | S | Q | 0301 | 87-A30-076-040 | C-TR,2SC3052F | a | b |
| AMP | S | Q | 0302 | 87-A30-076-040 | C-TR,2SC3052F | a | b |
| AMP | S | Q | 0303 | 87-A30-669-040 | C-TR,SBT5401 | a | b |
| AMP | S | Q | 0304 | 87-A30-669-040 | C-TR,SBT5401 | a | b |
| AMP | S | Q | 0305 | 87-A30-669-040 | C-TR,SBT5401 | a | b |
| AMP | S | Q | 0306 | 87-A30-669-040 | C-TR,SBT5401 | a | b |
| AMP | S | Q | 0307 | 87-A30-076-040 | C-TR,2SC3052F | a | b |
| AMP | S | Q | 0308 | 87-A30-076-040 | C-TR,2SC3052F | a | b |
| AMP | S | Q | 0309 | 87-A30-076-040 | C-TR,2SC3052F | a | b |
| AMP | S | Q | 0310 | 87-A30-076-040 | C-TR,2SC3052F | a | b |
| AMP | S | Q | 0311 | 87-A30-672-080 | TR,2N5551C | a | b |
| AMP | S | Q | 0312 | 87-A30-672-080 | TR,2N5551C | a | b |
| AMP | S | Q | 0313 | 87-A30-076-040 | C-TR,2SC3052F | a | b |
| AMP | S | Q | 0314 | 87-A30-076-040 | C-TR,2SC3052F | a | b |
| AMP | S | Q | 0315 | 87-A30-670-040 | C-TR,SBT5551 | a | b |
| AMP | S | Q | 0316 | 87-A30-670-040 | C-TR,SBT5551 | a | b |
| AMP | S | Q | 0317 | 87-A30-528-010 | TR,2SB1686 | a | b |
| AMP | S | Q | 0318 | 87-A30-528-010 | TR,2SB1686 | a | b |
| AMP | S | Q | 0319 | 87-A30-529-010 | TR,2SD2642 | a | b |
| AMP | S | Q | 0320 | 87-A30-529-010 | TR,2SD2642 | a | b |
| AMP | S | Q | 0323 | 87-A30-669-040 | C-TR,SBT5401 | a | b |
| AMP | S | Q | 0324 | 87-A30-669-040 | C-TR,SBT5401 | a | b |
| AMP | S | Q | 0327 | 87-A30-076-040 | C-TR,2SC3052F | a | b |
| AMP | S | Q | 0328 | 87-A30-076-040 | C-TR,2SC3052F | a | b |
| AMP | X | R | 0028 | 88-108-221-080 | C-RES,U 220-1/16W J | a | b |
| AMP | X | R | 0101 | 88-108-682-080 | C-RES,U 6.8K-1/16W J | a | b |
| AMP | X | R | 0102 | 88-108-682-080 | C-RES,U 6.8K-1/16W J | a | b |

ELECTRICAL PARTS LIST - 3/21

! = Δ SAFETY PARTS
 C = Components marked

All components used on this model at the production line are shown in this service manual.

However, please note that not all components will be available as spare parts for after-sales service.

Components marked S and O are designated as spare parts for service and will be stocked at the spare parts centers.

Components marked X and R are not designated as spare parts for after sales service, and will not be stocked at the spare parts centers.

| UNIT-NAME | ! C | REF-NO | PARTS-NO | PARTS-NAME | SUFFIX&MODEL | |
|-----------|-----|--------|----------------|----------------------|--------------------|-------------------|
| | | | | | CX-SNTR99 EZSTC | CX-SNTR99 KSTC |
| AMP | X R | 0103 | 88-108-273-080 | C-RES,U 27K-1/16W J | a | b |
| AMP | X R | 0104 | 88-108-273-080 | C-RES,U 27K-1/16W J | a | b |
| AMP | O R | 0105 | 88-108-223-080 | C-RES,U 22K-1/16W J | a | b |
| AMP | O R | 0106 | 88-108-223-080 | C-RES,U 22K-1/16W J | a | b |
| AMP | O R | 0107 | 88-108-101-080 | C-RES,U 100-1/16W J | a | b |
| AMP | O R | 0108 | 88-108-101-080 | C-RES,U 100-1/16W J | a | b |
| AMP | X R | 0111 | 88-118-102-080 | C-RES,S 1K-1/10W J | a | b |
| AMP | X R | 0112 | 88-118-102-080 | C-RES,S 1K-1/10W J | a | b |
| AMP | O R | 0113 | 88-118-223-080 | C-RES,S 22K-1/10W J | a | b |
| AMP | X R | 0114 | 88-121-223-080 | RES,22K-1/8W J | a | b |
| MP | X R | 0115 | 88-128-222-080 | C-RES, 2.2K-1/8W J | a | b |
| AMP | X R | 0116 | 88-128-222-080 | C-RES, 2.2K-1/8W J | a | b |
| AMP | O R | 0117 | 88-108-103-080 | C-RES,U 10K-1/16W J | a | b |
| AMP | O R | 0118 | 88-108-103-080 | C-RES,U 10K-1/16W J | a | b |
| AMP | X R | 0119 | 88-118-101-080 | C-RES,S 100-1/10W J | a | b |
| AMP | X R | 0120 | 88-118-101-080 | C-RES,S 100-1/10W J | a | b |
| AMP | X R | 0121 | 88-118-101-080 | C-RES,S 100-1/10W J | a | b |
| AMP | X R | 0122 | 88-118-101-080 | C-RES,S 100-1/10W J | a | b |
| AMP | X R | 0123 | 88-128-222-080 | C-RES, 2.2K-1/8W J | a | b |
| AMP | X R | 0124 | 88-128-222-080 | C-RES, 2.2K-1/8W J | a | b |
| AMP | X R | 0125 | 88-128-821-080 | C-RES, 820-1/8W J | a | b |
| AMP | X R | 0126 | 88-128-821-080 | C-RES, 820-1/8W J | a | b |
| AMP | X R | 0127 | 88-118-390-080 | C-RES,S 39-1/10W J | a | b |
| AMP | X R | 0128 | 88-118-390-080 | C-RES,S 39-1/10W J | a | b |
| AMP | X R | 0133 | 88-108-182-080 | C-RES,U 1.8K-1/16W J | a | b |
| AMP | X R | 0134 | 88-108-182-080 | C-RES,U 1.8K-1/16W J | a | b |
| AMP | X R | 0135 | 88-108-222-080 | C-RES,U 2.2K-1/16W J | a | b |
| AMP | X R | 0136 | 88-108-222-080 | C-RES,U 2.2K-1/16W J | a | b |
| AMP | O R | 0137 | 88-108-101-080 | C-RES,U 100-1/16W J | a | b |
| AMP | O R | 0138 | 88-108-101-080 | C-RES,U 100-1/16W J | a | b |
| AMP | X R | 0139 | 88-128-332-080 | C-RES, 3.3K-1/8W J | a | b |
| AMP | X R | 0141 | 88-118-102-080 | C-RES,S 1K-1/10W J | a | b |
| AMP | X R | 0142 | 88-118-102-080 | C-RES,S 1K-1/10W J | a | b |
| AMP | O R | 0147 | 87-A00-262-080 | RES,M/F 0.15-2W J | a | b |
| AMP | O R | 0148 | 87-A00-262-080 | RES,M/F 0.15-2W J | a | b |
| AMP | O R | 0149 | 87-A00-262-080 | RES,M/F 0.15-2W J | a | b |
| AMP | O R | 0150 | 87-A00-262-080 | RES,M/F 0.15-2W J | a | b |
| AMP | O R | 0151 | 88-108-473-080 | C-RES,U 47K-1/16W J | a | b |
| AMP | O R | 0152 | 88-108-473-080 | C-RES,U 47K-1/16W J | a | b |
| AMP | X R | 0153 | 88-118-390-080 | C-RES,S 39-1/10W J | a | b |
| AMP | X R | 0154 | 88-118-390-080 | C-RES,S 39-1/10W J | a | b |
| AMP | X R | 0155 | 88-118-472-080 | C-RES,S 4.7K-1/10W J | a | b |
| AMP | X R | 0156 | 88-118-472-080 | C-RES,S 4.7K-1/10W J | a | b |
| AMP | X R | 0157 | 88-108-472-080 | C-RES,U 4.7K-1/16W J | a | b |
| AMP | X R | 0158 | 88-121-472-080 | RES,4.7K-1/8W J | a | b |
| AMP | X R | 0159 | 88-108-471-080 | C-RES,U 470-1/16W J | a | b |
| AMP | X R | 0160 | 88-108-471-080 | C-RES,U 470-1/16W J | a | b |
| AMP | X R | 0161 | 88-108-472-080 | C-RES,U 4.7K-1/16W J | a | b |
| AMP | X R | 0162 | 88-108-472-080 | C-RES,U 4.7K-1/16W J | a | b |
| AMP | X R | 0163 | 88-108-472-080 | C-RES,U 4.7K-1/16W J | a | b |
| AMP | X R | 0164 | 88-108-472-080 | C-RES,U 4.7K-1/16W J | a | b |
| AMP | X R | 0165 | 88-108-152-080 | C-RES,U 1.5K-1/16W J | a | b |
| AMP | X R | 0166 | 88-108-152-080 | C-RES,U 1.5K-1/16W J | a | b |
| AMP | X R | 0171 | 88-118-222-080 | C-RES,S 2.2K-1/10W J | a | b |
| AMP | X R | 0172 | 88-118-222-080 | C-RES,S 2.2K-1/10W J | a | b |
| AMP | X R | 0173 | 88-118-182-080 | C-RES,S 1.8K-1/10W J | a | b |
| AMP | X R | 0174 | 88-118-182-080 | C-RES,S 1.8K-1/10W J | a | b |
| AMP | X R | 0175 | 88-118-331-080 | C-RES,S 330-1/10W J | a | b |
| AMP | X R | 0176 | 88-118-331-080 | C-RES,S 330-1/10W J | a | b |
| AMP | X R | 0177 | 88-128-332-080 | C-RES, 3.3K-1/8W J | a | b |
| AMP | O R | 0179 | 88-108-102-080 | C-RES,U 1K-1/16W J | a | b |
| AMP | O R | 0180 | 88-108-102-080 | C-RES,U 1K-1/16W J | a | b |
| AMP | X R | 0181 | 88-108-222-080 | C-RES,U 2.2K-1/16W J | a | b |
| AMP | X R | 0182 | 88-121-222-080 | RES,2.2K-1/8W J | a | b |
| AMP | X R | 0184 | 88-118-102-080 | C-RES,S 1K-1/10W J | a | b |
| AMP | O R | 0185 | 88-108-332-080 | C-RES,U 3.3K-1/16W J | a | b |
| AMP | X R | 0186 | 88-118-102-080 | C-RES,S 1K-1/10W J | a | b |
| AMP | X R | 0187 | 88-128-103-080 | C-RES, 10K-1/8W J | a | b |
| AMP | X R | 0188 | 88-118-222-080 | C-RES,S 2.2K-1/10W J | a | b |
| AMP | X R | 0189 | 88-128-222-080 | C-RES, 2.2K-1/8W J | a | b |
| AMP | X R | 0190 | 88-128-222-080 | C-RES, 2.2K-1/8W J | a | b |
| AMP | X R | 0191 | 88-128-222-080 | C-RES, 2.2K-1/8W J | a | b |
| AMP | X R | 0192 | 88-128-332-080 | C-RES, 3.3K-1/8W J | a | b |
| AMP | O R | 0193 | 88-108-103-080 | C-RES,U 10K-1/16W J | a | b |
| AMP | O R | 0194 | 88-108-103-080 | C-RES,U 10K-1/16W J | a | b |
| AMP | O R | 0195 | 88-108-473-080 | C-RES,U 47K-1/16W J | a | b |
| AMP | O R | 0196 | 88-108-473-080 | C-RES,U 47K-1/16W J | a | b |
| AMP | O R | 0197 | 88-108-473-080 | C-RES,U 47K-1/16W J | a | b |
| AMP | O R | 0198 | 88-108-473-080 | C-RES,U 47K-1/16W J | a | b |
| AMP | X R | 0199 | 88-108-225-080 | C-RES,U 2.2M-1/16W J | a | b |

ELECTRICAL PARTS LIST - 4/21

! = Δ SAFETY PARTS
 C = Components marked

All components used on this model at the production line are shown in this service manual.

However, please note that not all components will be available as spare parts for after-sales service.

Components marked S and O are designated as spare parts for service and will be stocked at the spare parts centers.

Components marked X and R are not designated as spare parts for after sales service, and will not be stocked at the spare parts centers.

| UNIT-NAME | ! C | REF-NO | PARTS-NO | PARTS-NAME | SUFFIX&MODEL | |
|-----------|-----|--------|----------|-------------------------------------|--------------------|-------------------|
| | | | | | CX-SNTR99 EZSTC | CX-SNTR99 KSTC |
| AMP | O | R | 0210 | 88-108-473-080 C-RES,U 47K-1/16W J | a | b |
| AMP | X | R | 0211 | 88-108-182-080 C-RES,U 1.8K-1/16W J | a | b |
| AMP | O | R | 0212 | 88-108-103-080 C-RES,U 10K-1/16W J | a | b |
| AMP | O | R | 0213 | 88-108-224-080 C-RES,U 220K-1/16W J | a | b |
| AMP | O | R | 0214 | 88-108-224-080 C-RES,U 220K-1/16W J | a | b |
| AMP | X | R | 0215 | 88-108-333-080 C-RES,U 33K-1/16W J | a | b |
| AMP | O | R | 0216 | 88-108-473-080 C-RES,U 47K-1/16W J | a | b |
| AMP | O | R | 0217 | 88-108-473-080 C-RES,U 47K-1/16W J | a | b |
| AMP | X | R | 0218 | 88-108-105-080 C-RES,U 1M-1/16W J | a | b |
| AMP | X | R | 0219 | 88-108-472-080 C-RES,U 4.7K-1/16W J | a | b |
| AMP | X | R | 0220 | 88-118-473-080 C-RES,S 47K-1/10W J | a | b |
| AMP | X | R | 0223 | 88-118-393-080 C-RES,S 39K-1/10W J | a | b |
| AMP | X | R | 0227 | 88-108-000-080 C-JUMPER,U | a | b |
| AMP | X | R | 0257 | 88-108-683-080 C-RES,U 68K-1/16W J | a | b |
| AMP | O | R | 0259 | 88-108-103-080 C-RES,U 10K-1/16W J | a | b |
| AMP | X | R | 0260 | 88-121-103-080 RES,10K-1/8W J | a | b |
| AMP | X | R | 0261 | 88-118-473-080 C-RES,S 47K-1/10W J | a | b |
| AMP | O | R | 0267 | 88-108-103-080 C-RES,U 10K-1/16W J | a | b |
| AMP | X | R | 0278 | 88-118-103-080 C-RES,S 10K-1/10W J | a | b |
| AMP | O | R | 0280 | 88-108-473-080 C-RES,U 47K-1/16W J | a | b |
| AMP | X | R | 0281 | 88-108-222-080 C-RES,U 2.2K-1/16W J | a | b |
| AMP | O | R | 0282 | 88-108-103-080 C-RES,U 10K-1/16W J | a | b |
| AMP | O | R | 0286 | 88-108-473-080 C-RES,U 47K-1/16W J | a | b |
| AMP | O | R | 0287 | 88-108-473-080 C-RES,U 47K-1/16W J | a | b |
| AMP | O | R | 0301 | 88-108-332-080 C-RES,U 3.3K-1/16W J | a | b |
| AMP | O | R | 0302 | 88-108-332-080 C-RES,U 3.3K-1/16W J | a | b |
| AMP | X | R | 0305 | 88-108-273-080 C-RES,U 27K-1/16W J | a | b |
| AMP | X | R | 0306 | 88-108-273-080 C-RES,U 27K-1/16W J | a | b |
| AMP | O | R | 0307 | 88-108-101-080 C-RES,U 100-1/16W J | a | b |
| AMP | O | R | 0308 | 88-108-101-080 C-RES,U 100-1/16W J | a | b |
| AMP | O | R | 0309 | 88-108-103-080 C-RES,U 10K-1/16W J | a | b |
| AMP | O | R | 0310 | 88-108-103-080 C-RES,U 10K-1/16W J | a | b |
| AMP | X | R | 0311 | 88-118-102-080 C-RES,S 1K-1/10W J | a | b |
| AMP | X | R | 0312 | 88-118-102-080 C-RES,S 1K-1/10W J | a | b |
| AMP | X | R | 0313 | 88-108-273-080 C-RES,U 27K-1/16W J | a | b |
| AMP | X | R | 0314 | 88-108-273-080 C-RES,U 27K-1/16W J | a | b |
| AMP | O | R | 0317 | 88-108-103-080 C-RES,U 10K-1/16W J | a | b |
| AMP | O | R | 0318 | 88-108-103-080 C-RES,U 10K-1/16W J | a | b |
| AMP | X | R | 0319 | 88-118-101-080 C-RES,S 100-1/10W J | a | b |
| AMP | X | R | 0320 | 88-118-101-080 C-RES,S 100-1/10W J | a | b |
| AMP | X | R | 0321 | 88-118-101-080 C-RES,S 100-1/10W J | a | b |
| AMP | X | R | 0322 | 88-118-101-080 C-RES,S 100-1/10W J | a | b |
| AMP | X | R | 0323 | 88-128-222-080 C-RES, 2.2K-1/8W J | a | b |
| AMP | X | R | 0324 | 88-128-222-080 C-RES, 2.2K-1/8W J | a | b |
| AMP | X | R | 0325 | 88-128-222-080 C-RES, 2.2K-1/8W J | a | b |
| AMP | X | R | 0326 | 88-128-222-080 C-RES, 2.2K-1/8W J | a | b |
| AMP | X | R | 0327 | 88-118-390-080 C-RES,S 39-1/10W J | a | b |
| AMP | X | R | 0328 | 88-118-390-080 C-RES,S 39-1/10W J | a | b |
| AMP | O | R | 0333 | 88-108-332-080 C-RES,U 3.3K-1/16W J | a | b |
| AMP | O | R | 0334 | 88-108-332-080 C-RES,U 3.3K-1/16W J | a | b |
| AMP | X | R | 0335 | 88-108-152-080 C-RES,U 1.5K-1/16W J | a | b |
| AMP | X | R | 0336 | 88-108-152-080 C-RES,U 1.5K-1/16W J | a | b |
| AMP | O | R | 0337 | 88-108-101-080 C-RES,U 100-1/16W J | a | b |
| AMP | O | R | 0338 | 88-108-101-080 C-RES,U 100-1/16W J | a | b |
| AMP | X | R | 0341 | 88-118-102-080 C-RES,S 1K-1/10W J | a | b |
| AMP | X | R | 0342 | 88-118-102-080 C-RES,S 1K-1/10W J | a | b |
| AMP | O | R | 0347 | 87-A00-669-080 RES,M/F 0.22-2W J RA | a | b |
| AMP | O | R | 0348 | 87-A00-669-080 RES,M/F 0.22-2W J RA | a | b |
| AMP | O | R | 0349 | 87-A00-669-080 RES,M/F 0.22-2W J RA | a | b |
| AMP | O | R | 0350 | 87-A00-669-080 RES,M/F 0.22-2W J RA | a | b |
| AMP | O | R | 0351 | 88-108-473-080 C-RES,U 47K-1/16W J | a | b |
| AMP | O | R | 0352 | 88-108-473-080 C-RES,U 47K-1/16W J | a | b |
| AMP | X | R | 0355 | 88-118-472-080 C-RES,S 4.7K-1/10W J | a | b |
| AMP | X | R | 0356 | 88-118-472-080 C-RES,S 4.7K-1/10W J | a | b |
| AMP | X | R | 0357 | 88-108-472-080 C-RES,U 4.7K-1/16W J | a | b |
| AMP | X | R | 0358 | 88-108-472-080 C-RES,U 4.7K-1/16W J | a | b |
| AMP | X | R | 0359 | 88-108-471-080 C-RES,U 470-1/16W J | a | b |
| AMP | X | R | 0360 | 88-108-471-080 C-RES,U 470-1/16W J | a | b |
| AMP | X | R | 0361 | 88-108-472-080 C-RES,U 4.7K-1/16W J | a | b |
| AMP | X | R | 0362 | 88-108-472-080 C-RES,U 4.7K-1/16W J | a | b |
| AMP | X | R | 0363 | 88-108-472-080 C-RES,U 4.7K-1/16W J | a | b |
| AMP | X | R | 0364 | 88-108-472-080 C-RES,U 4.7K-1/16W J | a | b |
| AMP | X | R | 0365 | 88-108-152-080 C-RES,U 1.5K-1/16W J | a | b |
| AMP | X | R | 0366 | 88-108-152-080 C-RES,U 1.5K-1/16W J | a | b |
| AMP | X | R | 0371 | 88-118-222-080 C-RES,S 2.2K-1/10W J | a | b |
| AMP | X | R | 0372 | 88-118-222-080 C-RES,S 2.2K-1/10W J | a | b |
| AMP | X | R | 0373 | 88-118-182-080 C-RES,S 1.8K-1/10W J | a | b |
| AMP | X | R | 0374 | 88-118-182-080 C-RES,S 1.8K-1/10W J | a | b |
| AMP | X | R | 0375 | 88-118-331-080 C-RES,S 330-1/10W J | a | b |
| AMP | X | R | 0376 | 88-118-331-080 C-RES,S 330-1/10W J | a | b |

ELECTRICAL PARTS LIST - 5/21

! = Δ SAFETY PARTS
 C = Components marked

All components used on this model at the production line are shown in this service manual.

However, please note that not all components will be available as spare parts for after-sales service.

Components marked S and O are designated as spare parts for service and will be stocked at the spare parts centers.

Components marked X and R are not designated as spare parts for after sales service, and will not be stocked at the spare parts centers.

| UNIT-NAME | ! C | REF-NO | PARTS-NO | PARTS-NAME | SUFFIX&MODEL | |
|-----------|-----|---------|----------------|----------------------------|--------------|-----------|
| | | | | | CX-SNTR99 | CX-SNTR99 |
| | | | | | EZSTC | KSTC |
| AMP | O R | 0379 | 88-108-102-080 | C-RES,U 1K-1/16W J | a | b |
| AMP | O R | 0380 | 88-108-102-080 | C-RES,U 1K-1/16W J | a | b |
| AMP | X R | 0381 | 88-108-472-080 | C-RES,U 4.7K-1/16W J | a | b |
| AMP | X R | 0382 | 88-108-472-080 | C-RES,U 4.7K-1/16W J | a | b |
| AMP | O R | 0395 | 88-108-473-080 | C-RES,U 47K-1/16W J | a | b |
| AMP | O R | 0396 | 88-108-473-080 | C-RES,U 47K-1/16W J | a | b |
| AMP | O R | 0397 | 88-108-473-080 | C-RES,U 47K-1/16W J | a | b |
| AMP | O R | 0398 | 88-108-473-080 | C-RES,U 47K-1/16W J | a | b |
| AMP | O | TH0101 | 87-A91-042-080 | C-THMS,100K 55001 | a | b |
| AMP | O | TH0102 | 87-A91-042-080 | C-THMS,100K 55001 | a | b |
| AMP | O | TH0301 | 87-A91-042-080 | C-THMS,100K 55001 | a | b |
| AMP | O | TH0302 | 87-A91-042-080 | C-THMS,100K 55001 | a | b |
| FR-CD | O | CN0202 | 87-099-194-010 | CONN,6P V BLK 6216 | a | b |
| FR-CD | S | IC0301 | 87-070-289-040 | C-IC,BU2092F | a | b |
| FR-CD | O | LED0202 | 87-A40-317-080 | LED,SLR-342VCT31 RED | a | b |
| FR-CD | O | LED0203 | 87-A40-317-080 | LED,SLR-342VCT31 RED | a | b |
| FR-CD | O | LED0204 | 87-A40-317-080 | LED,SLR-342VCT31 RED | a | b |
| FR-CD | O | LED0213 | 87-A40-317-080 | LED,SLR-342VCT31 RED | a | b |
| FR-CD | O | LED0214 | 87-A40-317-080 | LED,SLR-342VCT31 RED | a | b |
| FR-CD | O | LED0215 | 87-A40-317-080 | LED,SLR-342VCT31 RED | a | b |
| | | | | | CX-SNTR99 | CX-SNTR99 |
| | | | | | EZSTC | KSTC |
| FR-CD | X R | 0201 | 88-121-821-080 | RES,820-1/8W J | a | b |
| FR-CD | X R | 0202 | 88-121-821-080 | RES,820-1/8W J | a | b |
| FR-CD | X R | 0203 | 88-121-821-080 | RES,820-1/8W J | a | b |
| FR-CD | X R | 0355 | 88-108-122-080 | C-RES,U 1.2K-1/16W J | a | b |
| FR-CD | X R | 0356 | 88-108-122-080 | C-RES,U 1.2K-1/16W J | a | b |
| FR-CD | X R | 0357 | 88-108-182-080 | C-RES,U 1.8K-1/16W J | a | b |
| FR-CD | X R | 0358 | 88-108-182-080 | C-RES,U 1.8K-1/16W J | a | b |
| FR-CD | X R | 0359 | 88-108-273-080 | C-RES,U 27K-1/16W J | a | b |
| FR-CD | O | S 0355 | 87-A90-095-080 | SW,TACT EVQ11G04M | a | b |
| FR-CD | O | S 0356 | 87-A90-095-080 | SW,TACT EVQ11G04M | a | b |
| FR-CD | O | S 0357 | 87-A90-095-080 | SW,TACT EVQ11G04M | a | b |
| FR-CD | O | S 0358 | 87-A90-095-080 | SW,TACT EVQ11G04M | a | b |
| FR-CD | O | S 0359 | 87-A90-095-080 | SW,TACT EVQ11G04M | a | b |
| FRONT | O | C 0108 | 87-010-785-080 | C-CAP,U 0.015-25 K B GRM | a | b |
| FRONT | O | C 0153 | 87-010-192-080 | C-CAP,S 0.022-50 Z F C2012 | a | b |
| FRONT | O | C 0154 | 87-010-246-040 | CAP,E 47-35 M 11L SME | a | b |
| FRONT | O | C 0155 | 87-010-404-040 | CAP,E 4.7-50 M 11L SME | a | b |
| FRONT | O | C 0156 | 87-010-404-040 | CAP,E 4.7-50 M 11L SME | a | b |
| FRONT | O | C 0201 | 87-010-759-080 | C-CAP,U 0.1-25 Z F CM/CB | a | b |
| FRONT | O | C 0202 | 87-012-195-080 | C-CAP,U 100P-50 J CH GRM | a | b |
| | | | | | CX-SNTR99 | CX-SNTR99 |
| | | | | | EZSTC | KSTC |
| FRONT | O | C 0203 | 87-012-195-080 | C-CAP,U 100P-50 J CH GRM | a | b |
| FRONT | O | C 0204 | 87-012-195-080 | C-CAP,U 100P-50 J CH GRM | a | b |
| FRONT | O | C 0301 | 87-012-278-080 | C-CAP,U 2200P-50 K B GRM | a | b |
| FRONT | O | C 0351 | 87-A10-353-080 | C-CAP,U 0.22-10 K B | a | b |
| FRONT | O | C 0383 | 87-A11-057-080 | C-CAP,U 0.1-16 K B | a | b |
| FRONT | O | C 0384 | 87-A11-057-080 | C-CAP,U 0.1-16 K B | a | b |
| FRONT | O | C 0385 | 87-A11-057-080 | C-CAP,U 0.1-16 K B | a | b |
| FRONT | O | C 0386 | 87-A11-057-080 | C-CAP,U 0.1-16 K B | a | b |
| FRONT | O | C 0387 | 87-A11-057-080 | C-CAP,U 0.1-16 K B | a | b |
| FRONT | O | C 0601 | 87-010-260-040 | CAP,E 47-25 M 11L SME | a | b |
| FRONT | O | C 0911 | 87-012-274-080 | C-CAP,U 1000P-50 K B GRM | a | b |
| FRONT | O | C 0912 | 87-010-759-080 | C-CAP,U 0.1-25 Z F CM/CB | a | b |
| FRONT | O | C 0913 | 87-010-248-040 | CAP,E 220-10 M 11L SME | a | b |
| FRONT | O | C 0915 | 87-010-759-080 | C-CAP,U 0.1-25 Z F CM/CB | a | b |
| FRONT | O | C 0916 | 87-010-759-080 | C-CAP,U 0.1-25 Z F CM/CB | a | b |
| FRONT | O | C 0917 | 87-010-759-080 | C-CAP,U 0.1-25 Z F CM/CB | a | b |
| FRONT | O | C 0919 | 87-012-286-080 | C-CAP,U 0.01-25 K B GRM | a | b |
| FRONT | O | C 0920 | 87-010-829-080 | C-CAP,U 0.047-16 Z F CM/CB | a | b |
| FRONT | O | C 0921 | 87-012-282-080 | C-CAP,U 4700P-50 K B GRM | a | b |
| FRONT | O | C 0951 | 87-012-176-080 | C-CAP,U 15P-50 J CH GRM | a | b |
| | | | | | CX-SNTR99 | CX-SNTR99 |
| | | | | | EZSTC | KSTC |
| FRONT | O | C 0952 | 87-012-195-080 | C-CAP,U 100P-50 J CH GRM | a | b |
| FRONT | O | C 0953 | 87-012-145-080 | C-CAP,S 270P-50 J CH GRM | a | b |
| FRONT | O | C 0954 | 89-654-155-080 | CAP,TC 15P-50 J CH UP125 | a | b |
| FRONT | O | C 0961 | 87-010-406-040 | CAP,E 22-50 M 11L SME | a | b |
| FRONT | O | C 0963 | 87-010-759-080 | C-CAP,U 0.1-25 Z F CM/CB | a | b |
| FRONT | O | CN0105 | 87-099-750-010 | CONN,15P V 9604SC | a | b |
| FRONT | O | CN0201 | 87-099-194-010 | CONN,6P V BLK 6216 | a | b |
| FRONT | O | CN0301 | 87-099-030-010 | CONN,13P H BLK 6216 | a | b |
| FRONT | O | CN0401 | 87-099-210-010 | CONN,5P H BLK 6216 | a | b |
| FRONT | O | CN0701 | 87-099-720-010 | CONN,30P BLK TYK-B(P) | a | b |
| FRONT | O | CN0731 | 87-099-196-010 | CONN,8P V BLK 6216 | a | b |
| FRONT | S | D 0104 | 87-020-465-080 | DIODE,1SS133 | a | b |
| FRONT | S | D 0301 | 87-A40-748-080 | ZENER,UZ5.6BSA | a | b |
| FRONT | S | D 0302 | 87-020-465-080 | DIODE,1SS133 | a | b |
| FRONT | S | D 0305 | 87-020-465-080 | DIODE,1SS133 | a | b |
| FRONT | S | D 0306 | 87-020-465-080 | DIODE,1SS133 | a | b |
| FRONT | S | D 0381 | 87-020-465-080 | DIODE,1SS133 | a | b |
| FRONT | S | D 0382 | 87-020-465-080 | DIODE,1SS133 | a | b |
| FRONT | S | D 0383 | 87-020-465-080 | DIODE,1SS133 | a | b |
| FRONT | S | D 0384 | 87-020-465-080 | DIODE,1SS133 | a | b |

ELECTRICAL PARTS LIST - 6/21

! = SAFETY PARTS
 C = Components marked

All components used on this model at the production line are shown in this service manual.

However, please note that not all components will be available as spare parts for after-sales service.

Components marked S and O are designated as spare parts for service and will be stocked at the spare parts centers.

Components marked X and R are not designated as spare parts for after sales service, and will not be stocked at the spare parts centers.

| UNIT-NAME | ! C REF-NO | PARTS-NO | PARTS-NAME | SUFFIX&MODEL | |
|-----------|------------|----------------|-----------------------------|--------------------|-------------------|
| | | | | CX-SNTR99 EZSTC | CX-SNTR99 KSTC |
| FRONT | S D 0385 | 87-A40-802-080 | ZENER,UZ5.1BSC | a | b |
| FRONT | S D 0601 | 87-A40-269-040 | C-DIODE,MC2836 | a | b |
| FRONT | S D 0980 | 87-020-465-080 | DIODE,1SS133 | a | b |
| FRONT | S D 0985 | 87-020-465-080 | DIODE,1SS133 | a | b |
| FRONT | S D 0992 | 87-020-465-080 | DIODE,1SS133 | a | b |
| FRONT | O FL0901 | 8C-NFR-605-010 | FL,BP038GNK-CNFR | a | b |
| FRONT | S IC0381 | 87-A21-023-040 | C-IC,BA3835F | a | b |
| FRONT | S IC0601 | 87-A21-021-040 | C-IC,BU2099FV | a | b |
| FRONT | S IC0901 | 8C-NFR-602-030 | C-IC,LC876670B-50H8 | a | b |
| FRONT | S IC0961 | 87-A21-831-010 | IC,SPS-442-1-F1 | a | b |
| FRONT | O L 0951 | 87-A50-657-010 | COIL,CLK 9.43MHZ (TOKO)7KLY | a | b |
| FRONT | O LED0201 | 87-A40-317-080 | LED,SLR-342VCT31 RED | a | b |
| FRONT | S Q 0102 | 87-A30-076-040 | C-TR,2SC3052F | a | b |
| FRONT | S Q 0103 | 87-A30-538-040 | C-TR,SRA2202S | a | b |
| FRONT | S Q 0301 | 87-A30-494-080 | TR,2SA1980G | a | b |
| FRONT | S Q 0302 | 87-A30-076-040 | C-TR,2SC3052F | a | b |
| FRONT | S Q 0303 | 87-A30-076-040 | C-TR,2SC3052F | a | b |
| FRONT | S Q 0601 | 87-A30-495-080 | TR,2SA1981Y | a | b |
| FRONT | S Q 0602 | 87-A30-495-080 | TR,2SA1981Y | a | b |
| FRONT | S Q 0603 | 89-112-965-080 | TR,2SA1296GR | a | b |
| | | | | CX-SNTR99 EZSTC | CX-SNTR99 KSTC |
| FRONT | S Q 0901 | 87-A30-538-040 | C-TR,SRA2202S | a | b |
| FRONT | O R 0109 | 88-108-224-080 | C-RES,U 220K-1/16W J | a | b |
| FRONT | O R 0110 | 88-108-153-080 | C-RES,U 15K-1/16W J | a | b |
| FRONT | X R 0111 | 88-108-333-080 | C-RES,U 33K-1/16W J | a | b |
| FRONT | X R 0112 | 88-108-184-080 | C-RES,U 180K-1/16W J | a | b |
| FRONT | O R 0114 | 88-108-103-080 | C-RES,U 10K-1/16W J | a | b |
| FRONT | X R 0115 | 88-108-183-080 | C-RES,U 18K-1/16W J | a | b |
| FRONT | X R 0116 | 88-108-104-080 | C-RES,U 100K-1/16W J | a | b |
| FRONT | O R 0150 | 88-108-223-080 | C-RES,U 22K-1/16W J | a | b |
| FRONT | X R 0151 | 88-100-000-010 | JUMPER WIRE,PLATING | a | b |
| FRONT | X R 0152 | 88-100-000-010 | JUMPER WIRE,PLATING | a | b |
| FRONT | X R 0153 | 88-118-561-080 | C-RES,S 560-1/10W J | a | b |
| FRONT | X R 0154 | 88-118-561-080 | C-RES,S 560-1/10W J | a | b |
| FRONT | O R 0155 | 88-108-223-080 | C-RES,U 22K-1/16W J | a | b |
| FRONT | X R 0156 | 88-108-000-080 | C-JUMPER,U | a | b |
| FRONT | X R 0157 | 88-108-000-080 | C-JUMPER,U | a | b |
| FRONT | X R 0158 | 88-108-000-080 | C-JUMPER,U | a | b |
| FRONT | X R 0159 | 88-108-000-080 | C-JUMPER,U | a | b |
| FRONT | X R 0160 | 88-108-000-080 | C-JUMPER,U | a | b |
| FRONT | X R 0161 | 88-108-000-080 | C-JUMPER,U | a | b |
| | | | | CX-SNTR99 EZSTC | CX-SNTR99 KSTC |
| FRONT | X R 0162 | 88-108-000-080 | C-JUMPER,U | a | b |
| FRONT | X R 0163 | 88-108-000-080 | C-JUMPER,U | a | b |
| FRONT | X R 0164 | 88-108-000-080 | C-JUMPER,U | a | b |
| FRONT | X R 0165 | 88-108-000-080 | C-JUMPER,U | a | b |
| FRONT | X R 0166 | 88-108-000-080 | C-JUMPER,U | a | b |
| FRONT | X R 0167 | 88-108-000-080 | C-JUMPER,U | a | b |
| FRONT | X R 0168 | 88-108-000-080 | C-JUMPER,U | a | b |
| FRONT | X R 0206 | 88-130-561-080 | RES,560-1/4W J | a | b |
| FRONT | X R 0207 | 88-130-561-080 | RES,560-1/4W J | a | b |
| FRONT | X R 0208 | 88-121-182-080 | RES,1.8K-1/8W J | a | b |
| FRONT | X R 0211 | 88-130-561-080 | RES,560-1/4W J | a | b |
| FRONT | X R 0212 | 88-130-561-080 | RES,560-1/4W J | a | b |
| FRONT | O R 0213 | 88-108-103-080 | C-RES,U 10K-1/16W J | a | b |
| FRONT | O R 0215 | 88-108-103-080 | C-RES,U 10K-1/16W J | a | b |
| FRONT | O R 0216 | 88-108-103-080 | C-RES,U 10K-1/16W J | a | b |
| FRONT | O R 0218 | 88-108-101-080 | C-RES,U 100-1/16W J | a | b |
| FRONT | X R 0301 | 88-108-104-080 | C-RES,U 100K-1/16W J | a | b |
| FRONT | X R 0302 | 88-108-472-080 | C-RES,U 4.7K-1/16W J | a | b |
| FRONT | O R 0303 | 88-108-153-080 | C-RES,U 15K-1/16W J | a | b |
| FRONT | O R 0304 | 88-108-102-080 | C-RES,U 1K-1/16W J | a | b |
| | | | | CX-SNTR99 EZSTC | CX-SNTR99 KSTC |
| FRONT | X R 0306 | 88-108-471-080 | C-RES,U 470-1/16W J | a | b |
| FRONT | O R 0321 | 88-108-103-080 | C-RES,U 10K-1/16W J | a | b |
| FRONT | O R 0341 | 88-108-103-080 | C-RES,U 10K-1/16W J | a | b |
| FRONT | O R 0351 | 88-108-103-080 | C-RES,U 10K-1/16W J | a | b |
| FRONT | O R 0352 | 88-108-102-080 | C-RES,U 1K-1/16W J | a | b |
| FRONT | X R 0353 | 88-108-821-080 | C-RES,U 820-1/16W J | a | b |
| FRONT | X R 0354 | 88-108-122-080 | C-RES,U 1.2K-1/16W J | a | b |
| FRONT | X R 0360 | 88-108-104-080 | C-RES,U 100K-1/16W J | a | b |
| FRONT | O R 0361 | 88-108-101-080 | C-RES,U 100-1/16W J | a | b |
| FRONT | X R 0380 | 88-108-393-080 | C-RES,U 39K-1/16W J | a | b |
| FRONT | X R 0384 | 88-108-104-080 | C-RES,U 100K-1/16W J | a | b |
| FRONT | X R 0386 | 88-108-273-080 | C-RES,U 27K-1/16W J | a | b |
| FRONT | X R 0387 | 88-108-273-080 | C-RES,U 27K-1/16W J | a | b |
| FRONT | X R 0388 | 88-108-273-080 | C-RES,U 27K-1/16W J | a | b |
| FRONT | X R 0390 | 88-121-391-080 | RES,390-1/8W J | a | b |
| FRONT | X R 0391 | 88-108-472-080 | C-RES,U 4.7K-1/16W J | a | b |
| FRONT | X R 0392 | 88-108-472-080 | C-RES,U 4.7K-1/16W J | a | b |
| FRONT | X R 0393 | 88-108-472-080 | C-RES,U 4.7K-1/16W J | a | b |
| FRONT | X R 0394 | 88-108-472-080 | C-RES,U 4.7K-1/16W J | a | b |
| FRONT | O R 0397 | 88-108-223-080 | C-RES,U 22K-1/16W J | a | b |

ELECTRICAL PARTS LIST - 7/21

! = SAFETY PARTS
C = Components marked

All components used on this model at the production line are shown in this service manual.

However, please note that not all components will be available as spare parts for after-sales service.

Components marked S and O are designated as spare parts for service and will be stocked at the spare parts centers.

Components marked X and R are not designated as spare parts for after sales service, and will not be stocked at the spare parts centers.

| UNIT-NAME | ! C | REF-NO | PARTS-NO | PARTS-NAME | SUFFIX&MODEL | |
|-----------|-----|--------|----------------|----------------------|--------------------|-------------------|
| | | | | | CX-SNTR99 EZSTC | CX-SNTR99 KSTC |
| FRONT | X R | 0421 | 88-108-000-080 | C-JUMPER,U | a | b |
| FRONT | O R | 0601 | 88-108-103-080 | C-RES,U 10K-1/16W J | a | b |
| FRONT | X R | 0602 | 88-108-222-080 | C-RES,U 2.2K-1/16W J | a | b |
| FRONT | O R | 0603 | 88-108-103-080 | C-RES,U 10K-1/16W J | a | b |
| FRONT | X R | 0604 | 88-108-222-080 | C-RES,U 2.2K-1/16W J | a | b |
| FRONT | O R | 0605 | 88-108-103-080 | C-RES,U 10K-1/16W J | a | b |
| FRONT | O R | 0606 | 88-108-102-080 | C-RES,U 1K-1/16W J | a | b |
| FRONT | X R | 0607 | 88-108-000-080 | C-JUMPER,U | a | b |
| FRONT | O R | 0611 | 88-108-473-080 | C-RES,U 47K-1/16W J | a | b |
| FRONT | O R | 0612 | 88-108-473-080 | C-RES,U 47K-1/16W J | a | b |
| FRONT | O R | 0613 | 88-108-473-080 | C-RES,U 47K-1/16W J | a | b |
| FRONT | O R | 0614 | 88-108-473-080 | C-RES,U 47K-1/16W J | a | b |
| FRONT | O R | 0615 | 88-108-473-080 | C-RES,U 47K-1/16W J | a | b |
| FRONT | O R | 0616 | 88-108-473-080 | C-RES,U 47K-1/16W J | a | b |
| FRONT | O R | 0617 | 88-108-103-080 | C-RES,U 10K-1/16W J | a | b |
| FRONT | O R | 0619 | 88-108-103-080 | C-RES,U 10K-1/16W J | a | b |
| FRONT | O R | 0701 | 88-108-102-080 | C-RES,U 1K-1/16W J | a | b |
| FRONT | O R | 0702 | 88-108-102-080 | C-RES,U 1K-1/16W J | a | b |
| FRONT | O R | 0703 | 88-108-102-080 | C-RES,U 1K-1/16W J | a | b |
| FRONT | O R | 0704 | 88-108-102-080 | C-RES,U 1K-1/16W J | a | b |
| FRONT | O R | 0705 | 88-108-102-080 | C-RES,U 1K-1/16W J | a | b |
| FRONT | O R | 0706 | 88-108-102-080 | C-RES,U 1K-1/16W J | a | b |
| FRONT | O R | 0707 | 88-108-102-080 | C-RES,U 1K-1/16W J | a | b |
| FRONT | O R | 0708 | 88-108-102-080 | C-RES,U 1K-1/16W J | a | b |
| FRONT | O R | 0709 | 88-108-101-080 | C-RES,U 100-1/16W J | a | b |
| FRONT | O R | 0710 | 88-108-101-080 | C-RES,U 100-1/16W J | a | b |
| FRONT | O R | 0711 | 88-108-101-080 | C-RES,U 100-1/16W J | a | b |
| FRONT | O R | 0712 | 88-108-101-080 | C-RES,U 100-1/16W J | a | b |
| FRONT | O R | 0715 | 88-108-101-080 | C-RES,U 100-1/16W J | a | b |
| FRONT | X R | 0716 | 88-108-472-080 | C-RES,U 4.7K-1/16W J | a | b |
| FRONT | X R | 0719 | 88-121-100-080 | RES,10-1/8W J | a | b |
| FRONT | O R | 0720 | 88-108-101-080 | C-RES,U 100-1/16W J | a | b |
| FRONT | O R | 0721 | 88-108-101-080 | C-RES,U 100-1/16W J | a | b |
| FRONT | O R | 0730 | 88-108-102-080 | C-RES,U 1K-1/16W J | a | b |
| FRONT | O R | 0732 | 88-108-101-080 | C-RES,U 100-1/16W J | a | b |
| FRONT | O R | 0733 | 88-108-101-080 | C-RES,U 100-1/16W J | a | b |
| FRONT | O R | 0734 | 88-108-102-080 | C-RES,U 1K-1/16W J | a | b |
| FRONT | O R | 0735 | 88-108-102-080 | C-RES,U 1K-1/16W J | a | b |
| FRONT | O R | 0740 | 88-108-102-080 | C-RES,U 1K-1/16W J | a | b |
| FRONT | O R | 0741 | 88-108-101-080 | C-RES,U 100-1/16W J | a | b |
| FRONT | O R | 0742 | 88-108-102-080 | C-RES,U 1K-1/16W J | a | b |
| FRONT | X R | 0743 | 88-108-474-080 | C-RES,U 470K-1/16W J | a | b |
| FRONT | X R | 0749 | 88-108-474-080 | C-RES,U 470K-1/16W J | a | b |
| FRONT | X R | 0901 | 88-108-685-080 | C-RES,U 6.8M-1/16W J | a | b |
| FRONT | O R | 0906 | 88-108-103-080 | C-RES,U 10K-1/16W J | a | b |
| FRONT | O R | 0907 | 88-108-103-080 | C-RES,U 10K-1/16W J | a | b |
| FRONT | X R | 0908 | 88-108-104-080 | C-RES,U 100K-1/16W J | a | b |
| FRONT | X R | 0909 | 88-108-104-080 | C-RES,U 100K-1/16W J | a | b |
| FRONT | X R | 0910 | 88-108-104-080 | C-RES,U 100K-1/16W J | a | b |
| FRONT | X R | 0911 | 88-108-104-080 | C-RES,U 100K-1/16W J | a | b |
| FRONT | X R | 0912 | 88-108-104-080 | C-RES,U 100K-1/16W J | a | b |
| FRONT | X R | 0913 | 88-108-104-080 | C-RES,U 100K-1/16W J | a | b |
| FRONT | X R | 0914 | 88-108-104-080 | C-RES,U 100K-1/16W J | a | b |
| FRONT | X R | 0915 | 88-108-104-080 | C-RES,U 100K-1/16W J | a | b |
| FRONT | X R | 0916 | 88-108-104-080 | C-RES,U 100K-1/16W J | a | b |
| FRONT | X R | 0921 | 88-108-104-080 | C-RES,U 100K-1/16W J | a | b |
| FRONT | X R | 0922 | 88-108-104-080 | C-RES,U 100K-1/16W J | a | b |
| FRONT | X R | 0923 | 88-108-104-080 | C-RES,U 100K-1/16W J | a | b |
| FRONT | X R | 0924 | 88-108-104-080 | C-RES,U 100K-1/16W J | a | b |
| FRONT | X R | 0925 | 88-108-104-080 | C-RES,U 100K-1/16W J | a | b |
| FRONT | X R | 0926 | 88-108-104-080 | C-RES,U 100K-1/16W J | a | b |
| FRONT | X R | 0927 | 88-108-104-080 | C-RES,U 100K-1/16W J | a | b |
| FRONT | X R | 0928 | 88-108-104-080 | C-RES,U 100K-1/16W J | a | b |
| FRONT | X R | 0929 | 88-108-104-080 | C-RES,U 100K-1/16W J | a | b |
| FRONT | X R | 0930 | 88-108-104-080 | C-RES,U 100K-1/16W J | a | b |
| FRONT | X R | 0931 | 88-108-104-080 | C-RES,U 100K-1/16W J | a | b |
| FRONT | X R | 0932 | 88-108-104-080 | C-RES,U 100K-1/16W J | a | b |
| FRONT | X R | 0933 | 88-108-104-080 | C-RES,U 100K-1/16W J | a | b |
| FRONT | X R | 0934 | 88-108-683-080 | C-RES,U 68K-1/16W J | a | b |
| FRONT | X R | 0935 | 88-108-683-080 | C-RES,U 68K-1/16W J | a | b |
| FRONT | X R | 0940 | 88-108-104-080 | C-RES,U 100K-1/16W J | a | b |
| FRONT | X R | 0946 | 88-108-000-080 | C-JUMPER,U | a | b |
| FRONT | X R | 0947 | 88-108-104-080 | C-RES,U 100K-1/16W J | a | b |
| FRONT | X R | 0948 | 88-108-104-080 | C-RES,U 100K-1/16W J | a | b |
| FRONT | O R | 0949 | 88-108-102-080 | C-RES,U 1K-1/16W J | a | b |
| FRONT | O R | 0951 | 88-108-101-080 | C-RES,U 100-1/16W J | a | b |
| FRONT | O R | 0961 | 88-108-101-080 | C-RES,U 100-1/16W J | a | b |
| FRONT | O R | 0963 | 88-108-563-080 | C-RES,U 56K-1/16W J | a | b |
| FRONT | X R | 0964 | 88-108-104-080 | C-RES,U 100K-1/16W J | a | b |
| FRONT | X R | 0965 | 88-108-104-080 | C-RES,U 100K-1/16W J | a | b |

ELECTRICAL PARTS LIST - 8/21

! = Δ SAFTY PARTS
 C = Components marked

All components used on this model at the production line are shown in this service manual.

However, please note that not all components will be available as spare parts for after-sales service.

Components marked S and O are designated as spare parts for service and will be stocked at the spare parts centers.

Components marked X and R are not designated as spare parts for after sales service, and will not be stocked at the spare parts centers.

| UNIT-NAME | ! C | REF-NO | PARTS-NO | PARTS-NAME | SUFFIX&MODEL | |
|-----------|-----|---------|----------------|--------------------------------|--------------------|-------------------|
| | | | | | CX-SNTR99 EZSTC | CX-SNTR99 KSTC |
| FRONT | X R | 0966 | 88-108-104-080 | C-RES,U 100K-1/16W J | a | b |
| FRONT | X R | 0967 | 88-108-104-080 | C-RES,U 100K-1/16W J | a | b |
| FRONT | X R | 0968 | 88-108-104-080 | C-RES,U 100K-1/16W J | a | b |
| FRONT | O R | 0969 | 88-108-103-080 | C-RES,U 10K-1/16W J | a | b |
| FRONT | X R | 0970 | 88-108-104-080 | C-RES,U 100K-1/16W J | a | b |
| FRONT | X R | 0971 | 88-108-104-080 | C-RES,U 100K-1/16W J | a | b |
| FRONT | X R | 0972 | 88-108-104-080 | C-RES,U 100K-1/16W J | a | b |
| FRONT | X R | 0973 | 88-108-104-080 | C-RES,U 100K-1/16W J | a | b |
| FRONT | X R | 0974 | 88-108-104-080 | C-RES,U 100K-1/16W J | a | b |
| FRONT | X R | 0975 | 88-108-104-080 | C-RES,U 100K-1/16W J | a | b |
| FRONT | X R | 0976 | 88-108-104-080 | C-RES,U 100K-1/16W J | a | b |
| FRONT | X R | 0977 | 88-108-104-080 | C-RES,U 100K-1/16W J | a | b |
| FRONT | X R | 0978 | 88-108-104-080 | C-RES,U 100K-1/16W J | a | b |
| FRONT | X R | 0979 | 88-108-104-080 | C-RES,U 100K-1/16W J | a | b |
| FRONT | X R | 0980 | 88-108-104-080 | C-RES,U 100K-1/16W J | a | b |
| FRONT | X R | 0981 | 88-108-104-080 | C-RES,U 100K-1/16W J | a | b |
| FRONT | X R | 0982 | 88-108-104-080 | C-RES,U 100K-1/16W J | a | b |
| FRONT | X R | 0983 | 88-108-104-080 | C-RES,U 100K-1/16W J | a | b |
| FRONT | X R | 0984 | 88-108-104-080 | C-RES,U 100K-1/16W J | a | b |
| FRONT | X R | 0985 | 88-108-104-080 | C-RES,U 100K-1/16W J | a | b |
| FRONT | X R | 0986 | 88-108-104-080 | C-RES,U 100K-1/16W J | a | b |
| FRONT | X R | 0987 | 88-108-104-080 | C-RES,U 100K-1/16W J | a | b |
| FRONT | X R | 0988 | 88-108-104-080 | C-RES,U 100K-1/16W J | a | b |
| FRONT | X R | 0989 | 88-108-104-080 | C-RES,U 100K-1/16W J | a | b |
| FRONT | X R | 0999 | 88-108-104-080 | C-RES,U 100K-1/16W J | a | b |
| FRONT | O S | 0352 | 87-A90-095-080 | SW, TACT EVQ11G04M | a | b |
| FRONT | O S | 0353 | 87-A90-095-080 | SW, TACT EVQ11G04M | a | b |
| FRONT | O S | 0354 | 87-A90-095-080 | SW, TACT EVQ11G04M | a | b |
| HP | O C | 0242 | 87-010-831-080 | C-CAP,U 0.1-16 Z F GRM | a | b |
| HP | O | CNA0201 | 8B-NCK-609-010 | CONN ASSY, 7P TID-A(130) | a | b |
| HP | O J | 0202 | 87-A61-546-010 | JACK, 3.5 BLAK ST W/SW HST3000 | a | b |
| HP | X R | 0205 | 88-108-000-080 | C-JUMPER, U | a | b |
| HP | X R | 0206 | 88-108-681-080 | C-RES,U 680-1/16W J | a | b |
| HP | X R | 0239 | 88-130-681-080 | RES, 680-1/4W J | a | b |
| HP | X R | 0240 | 88-130-681-080 | RES, 680-1/4W J | a | b |
| HP | X R | 0241 | 88-130-561-080 | RES, 560-1/4W J | a | b |
| HP | X R | 0242 | 88-130-561-080 | RES, 560-1/4W J | a | b |
| HP | X R | 0243 | 88-130-681-080 | RES, 680-1/4W J | a | b |
| HP | X R | 0244 | 88-130-681-080 | RES, 680-1/4W J | a | b |
| HP | X R | 0245 | 88-130-561-080 | RES, 560-1/4W J | a | b |
| HP | X R | 0246 | 88-130-561-080 | RES, 560-1/4W J | a | b |
| HP | X R | 0265 | 88-128-222-080 | C-RES, 2.2K-1/8W J | a | b |
| HP | X R | 0266 | 88-128-222-080 | C-RES, 2.2K-1/8W J | a | b |
| KEY | O C | 0302 | 87-012-274-080 | C-CAP,U 1000P-50 K B GRM | a | b |
| KEY | O C | 0303 | 87-012-195-080 | C-CAP,U 100P-50 J CH GRM | a | b |
| KEY | O C | 0304 | 87-012-195-080 | C-CAP,U 100P-50 J CH GRM | a | b |
| KEY | O C | 0305 | 87-012-274-080 | C-CAP,U 1000P-50 K B GRM | a | b |
| KEY | O C | 0306 | 87-012-195-080 | C-CAP,U 100P-50 J CH GRM | a | b |
| KEY | O C | 0307 | 87-012-195-080 | C-CAP,U 100P-50 J CH GRM | a | b |
| KEY | O C | 0308 | 87-012-274-080 | C-CAP,U 1000P-50 K B GRM | a | b |
| KEY | O C | 0309 | 87-012-195-080 | C-CAP,U 100P-50 J CH GRM | a | b |
| KEY | O C | 0310 | 87-012-195-080 | C-CAP,U 100P-50 J CH GRM | a | b |
| KEY | O C | 0311 | 87-012-274-080 | C-CAP,U 1000P-50 K B GRM | a | b |
| KEY | O C | 0312 | 87-012-195-080 | C-CAP,U 100P-50 J CH GRM | a | b |
| KEY | O C | 0317 | 87-012-195-080 | C-CAP,U 100P-50 J CH GRM | a | b |
| KEY | O C | 0318 | 87-010-759-080 | C-CAP,U 0.1-25 Z F CM/CB | a | b |
| KEY | O C | 0319 | 87-012-195-080 | C-CAP,U 100P-50 J CH GRM | a | b |
| KEY | O C | 0320 | 87-012-195-080 | C-CAP,U 100P-50 J CH GRM | a | b |
| KEY | O C | 0321 | 87-012-195-080 | C-CAP,U 100P-50 J CH GRM | a | b |
| KEY | O | CN0302 | 87-099-015-010 | CONN, 13P V BLK 6216 | a | b |
| KEY | O | LED0205 | 87-A40-317-080 | LED, SLR-342VCT31 RED | a | b |
| KEY | O | LED0206 | 87-A40-317-080 | LED, SLR-342VCT31 RED | a | b |
| KEY | O | LED0207 | 87-A40-317-080 | LED, SLR-342VCT31 RED | a | b |
| KEY | O | LED0208 | 87-A40-317-080 | LED, SLR-342VCT31 RED | a | b |
| KEY | O | LED0209 | 87-A40-317-080 | LED, SLR-342VCT31 RED | a | b |
| KEY | O | LED0210 | 87-A40-317-080 | LED, SLR-342VCT31 RED | a | b |
| KEY | O | LED0211 | 87-A40-317-080 | LED, SLR-342VCT31 RED | a | b |
| KEY | O | LED0212 | 87-A40-317-080 | LED, SLR-342VCT31 RED | a | b |
| KEY | O | LED0216 | 87-A40-589-040 | LED, SLR-56VCT31 RED | a | b |
| KEY | O | LED0217 | 87-A40-589-040 | LED, SLR-56VCT31 RED | a | b |
| KEY | O | LED0218 | 87-A40-589-040 | LED, SLR-56VCT31 RED | a | b |
| KEY | O | LED0219 | 87-A40-589-040 | LED, SLR-56VCT31 RED | a | b |
| KEY | O | LED0220 | 87-A40-589-040 | LED, SLR-56VCT31 RED | a | b |
| KEY | O | LED0221 | 87-A40-589-040 | LED, SLR-56VCT31 RED | a | b |
| KEY | X R | 0307 | 88-108-683-080 | C-RES,U 68K-1/16W J | a | b |
| KEY | O R | 0308 | 88-108-153-080 | C-RES,U 15K-1/16W J | a | b |
| KEY | X R | 0309 | 88-108-683-080 | C-RES,U 68K-1/16W J | a | b |
| KEY | O R | 0310 | 88-108-153-080 | C-RES,U 15K-1/16W J | a | b |
| KEY | X R | 0311 | 88-108-683-080 | C-RES,U 68K-1/16W J | a | b |
| KEY | O R | 0312 | 88-108-153-080 | C-RES,U 15K-1/16W J | a | b |

ELECTRICAL PARTS LIST - 9/21

! = Δ SAFETY PARTS
 C = Components marked

All components used on this model at the production line are shown in this service manual.

However, please note that not all components will be available as spare parts for after-sales service.

Components marked S and O are designated as spare parts for service and will be stocked at the spare parts centers.

Components marked X and R are not designated as spare parts for after sales service, and will not be stocked at the spare parts centers.

| UNIT-NAME | ! C | REF-NO | PARTS-NO | PARTS-NAME | SUFFIX&MODEL | |
|-----------|-----|--------|----------------|----------------------------|--------------------|-------------------|
| | | | | | CX-SNTR99 EZSTC | CX-SNTR99 KSTC |
| KEY | X R | 0313 | 88-108-683-080 | C-RES,U 68K-1/16W J | a | b |
| KEY | O R | 0314 | 88-108-153-080 | C-RES,U 15K-1/16W J | a | b |
| KEY | X R | 0316 | 88-108-184-080 | C-RES,U 180K-1/16W J | a | b |
| KEY | O R | 0317 | 88-108-103-080 | C-RES,U 10K-1/16W J | a | b |
| KEY | X R | 0318 | 88-108-184-080 | C-RES,U 180K-1/16W J | a | b |
| KEY | O R | 0319 | 88-108-103-080 | C-RES,U 10K-1/16W J | a | b |
| KEY | X R | 0322 | 88-121-102-080 | RES,1K-1/8W J | a | b |
| KEY | X R | 0323 | 88-108-821-080 | C-RES,U 820-1/16W J | a | b |
| KEY | X R | 0324 | 88-121-102-080 | RES,1K-1/8W J | a | b |
| KEY | X R | 0325 | 88-108-122-080 | C-RES,U 1.2K-1/16W J | a | b |
| KEY | X R | 0326 | 88-108-122-080 | C-RES,U 1.2K-1/16W J | a | b |
| KEY | X R | 0327 | 88-108-182-080 | C-RES,U 1.8K-1/16W J | a | b |
| KEY | X R | 0328 | 88-108-182-080 | C-RES,U 1.8K-1/16W J | a | b |
| KEY | O R | 0329 | 88-108-272-080 | C-RES,U 2.7K-1/16W J | a | b |
| KEY | O R | 0330 | 88-108-332-080 | C-RES,U 3.3K-1/16W J | a | b |
| KEY | X R | 0331 | 88-108-472-080 | C-RES,U 4.7K-1/16W J | a | b |
| KEY | X R | 0332 | 88-108-682-080 | C-RES,U 6.8K-1/16W J | a | b |
| KEY | O R | 0333 | 88-108-103-080 | C-RES,U 10K-1/16W J | a | b |
| KEY | X R | 0334 | 88-108-184-080 | C-RES,U 180K-1/16W J | a | b |
| KEY | O R | 0335 | 88-108-103-080 | C-RES,U 10K-1/16W J | a | b |
| | | | | | CX-SNTR99 EZSTC | CX-SNTR99 KSTC |
| KEY | X R | 0336 | 88-108-184-080 | C-RES,U 180K-1/16W J | a | b |
| KEY | O R | 0337 | 88-108-103-080 | C-RES,U 10K-1/16W J | a | b |
| KEY | O R | 0342 | 88-108-102-080 | C-RES,U 1K-1/16W J | a | b |
| KEY | X R | 0343 | 88-121-821-080 | RES,820-1/8W J | a | b |
| KEY | O R | 0344 | 88-108-102-080 | C-RES,U 1K-1/16W J | a | b |
| KEY | X R | 0345 | 88-108-122-080 | C-RES,U 1.2K-1/16W J | a | b |
| KEY | X R | 0346 | 88-108-122-080 | C-RES,U 1.2K-1/16W J | a | b |
| KEY | X R | 0347 | 88-108-182-080 | C-RES,U 1.8K-1/16W J | a | b |
| KEY | O R | 0348 | 88-108-103-080 | C-RES,U 10K-1/16W J | a | b |
| KEY | O R | 0349 | 88-108-103-080 | C-RES,U 10K-1/16W J | a | b |
| KEY | O R | 0350 | 88-108-103-080 | C-RES,U 10K-1/16W J | a | b |
| KEY | O R | 0362 | 88-108-103-080 | C-RES,U 10K-1/16W J | a | b |
| KEY | O R | 0363 | 88-108-103-080 | C-RES,U 10K-1/16W J | a | b |
| KEY | O R | 0364 | 88-108-103-080 | C-RES,U 10K-1/16W J | a | b |
| KEY | O R | 0365 | 88-108-103-080 | C-RES,U 10K-1/16W J | a | b |
| KEY | X R | 0366 | 88-118-102-080 | C-RES,S 1K-1/10W J | a | b |
| KEY | X R | 0367 | 88-118-102-080 | C-RES,S 1K-1/10W J | a | b |
| KEY | X R | 0368 | 88-118-102-080 | C-RES,S 1K-1/10W J | a | b |
| KEY | X R | 0369 | 88-118-102-080 | C-RES,S 1K-1/10W J | a | b |
| KEY | X R | 0370 | 88-118-102-080 | C-RES,S 1K-1/10W J | a | b |
| | | | | | CX-SNTR99 EZSTC | CX-SNTR99 KSTC |
| KEY | X R | 0371 | 88-118-102-080 | C-RES,S 1K-1/10W J | a | b |
| KEY | X R | 0372 | 88-121-101-080 | RES,100-1/8W J | a | b |
| KEY | O S | 0321 | 87-A90-095-080 | SW,TACT EVQ11G04M | a | b |
| KEY | O S | 0322 | 87-A90-095-080 | SW,TACT EVQ11G04M | a | b |
| KEY | O S | 0323 | 87-A90-095-080 | SW,TACT EVQ11G04M | a | b |
| KEY | O S | 0324 | 87-A90-095-080 | SW,TACT EVQ11G04M | a | b |
| KEY | O S | 0325 | 87-A90-095-080 | SW,TACT EVQ11G04M | a | b |
| KEY | O S | 0326 | 87-A90-095-080 | SW,TACT EVQ11G04M | a | b |
| KEY | O S | 0327 | 87-A90-095-080 | SW,TACT EVQ11G04M | a | b |
| KEY | O S | 0328 | 87-A90-095-080 | SW,TACT EVQ11G04M | a | b |
| KEY | O S | 0329 | 87-A90-095-080 | SW,TACT EVQ11G04M | a | b |
| KEY | O S | 0330 | 87-A90-095-080 | SW,TACT EVQ11G04M | a | b |
| KEY | O S | 0331 | 87-A90-095-080 | SW,TACT EVQ11G04M | a | b |
| KEY | O S | 0332 | 87-A90-095-080 | SW,TACT EVQ11G04M | a | b |
| KEY | O S | 0333 | 87-A90-095-080 | SW,TACT EVQ11G04M | a | b |
| KEY | O S | 0341 | 87-A90-095-080 | SW,TACT EVQ11G04M | a | b |
| KEY | O S | 0342 | 87-A90-095-080 | SW,TACT EVQ11G04M | a | b |
| KEY | O S | 0343 | 87-A90-095-080 | SW,TACT EVQ11G04M | a | b |
| KEY | O S | 0344 | 87-A90-095-080 | SW,TACT EVQ11G04M | a | b |
| KEY | O S | 0345 | 87-A90-095-080 | SW,TACT EVQ11G04M | a | b |
| | | | | | CX-SNTR99 EZSTC | CX-SNTR99 KSTC |
| KEY | O S | 0346 | 87-A90-095-080 | SW,TACT EVQ11G04M | a | b |
| KEY | O S | 0347 | 87-A90-095-080 | SW,TACT EVQ11G04M | a | b |
| KEY | O S | 0360 | 87-A92-249-010 | SW,RTRY EC12E24704-30MM | a | b |
| KEY | O S | 0361 | 87-A92-359-010 | SW,RTRY EC12E24604-30MM | a | b |
| KEY | O S | 0362 | 87-A92-359-010 | SW,RTRY EC12E24604-30MM | a | b |
| KEY | O S | 0363 | 87-A92-273-110 | SW,RTRY EC12E12204 30MM | a | b |
| MAIN | O C | 0003 | 87-A12-317-080 | C-CAP,U 0.1-50 Z F | a | b |
| MAIN | O C | 0004 | 87-A12-317-080 | C-CAP,U 0.1-50 Z F | a | b |
| MAIN | O C | 0005 | 87-A12-317-080 | C-CAP,U 0.1-50 Z F | a | b |
| MAIN | O C | 0006 | 87-A12-317-080 | C-CAP,U 0.1-50 Z F | a | b |
| MAIN | O C | 0009 | 87-010-759-080 | C-CAP,U 0.1-25 Z F CM/CB | a | b |
| MAIN | O C | 0010 | 87-010-759-080 | C-CAP,U 0.1-25 Z F CM/CB | a | b |
| MAIN | O C | 0011 | 87-010-759-080 | C-CAP,U 0.1-25 Z F CM/CB | a | b |
| MAIN | O C | 0012 | 87-010-759-080 | C-CAP,U 0.1-25 Z F CM/CB | a | b |
| MAIN | O C | 0013 | 87-012-282-080 | C-CAP,U 4700P-50 K B GRM | a | b |
| MAIN | O C | 0014 | 87-010-263-080 | CAP,E 100-10 M 11L SME | a | b |
| MAIN | O C | 0016 | 87-010-757-080 | C-CAP,U 0.047-25 Z F CM/CB | a | b |
| MAIN | O C | 0019 | 87-A12-827-000 | CAP,E 3300-50 M 85 GS | a | b |
| MAIN | O C | 0020 | 87-A12-827-000 | CAP,E 3300-50 M 85 GS | a | b |
| MAIN | O C | 0021 | 87-A12-829-000 | CAP,E 4700-25 M 85 GS | a | b |

ELECTRICAL PARTS LIST - 10/21

! = Δ SAFTY PARTS
 C = Components marked

All components used on this model at the production line are shown in this service manual.

However, please note that not all components will be available as spare parts for after-sales service.

Components marked S and O are designated as spare parts for service and will be stocked at the spare parts centers.

Components marked X and R are not designated as spare parts for after sales service, and will not be stocked at the spare parts centers.

| UNIT-NAME | ! C | REF-NO | PARTS-NO | PARTS-NAME | SUFFIX&MODEL | |
|-----------|-----|--------|----------------|--------------------------|--------------------|-------------------|
| | | | | | CX-SNTR99 EZSTC | CX-SNTR99 KSTC |
| MAIN | O | C 0022 | 87-A12-829-000 | CAP,E 4700-25 M 85 GS | a | b |
| MAIN | O | C 0034 | 87-010-260-080 | CAP,E 47-25 M 11L SME | a | b |
| MAIN | O | C 0035 | 87-010-404-080 | CAP,E 4.7-50 M 11L SME | a | b |
| MAIN | O | C 0036 | 87-010-112-080 | CAP,E 100-16 M 11L SME | a | b |
| MAIN | O | C 0039 | 87-A12-823-000 | CAP,E 2200-50 M 85 GS | a | b |
| MAIN | O | C 0040 | 87-A12-823-000 | CAP,E 2200-50 M 85 GS | a | b |
| MAIN | O | C 0060 | 87-010-403-080 | CAP,E 3.3-50 M 11L SME | a | b |
| MAIN | O | C 0061 | 87-010-260-080 | CAP,E 47-25 M 11L SME | a | b |
| MAIN | O | C 0083 | 87-010-235-080 | CAP,E 470-16 M SME | a | b |
| MAIN | O | C 0201 | 87-A12-317-080 | C-CAP,U 0.1-50 Z F | a | b |
| MAIN | O | C 0202 | 87-A12-317-080 | C-CAP,U 0.1-50 Z F | a | b |
| MAIN | O | C 0203 | 87-A12-317-080 | C-CAP,U 0.1-50 Z F | a | b |
| MAIN | O | C 0204 | 87-A12-317-080 | C-CAP,U 0.1-50 Z F | a | b |
| MAIN | O | C 0205 | 87-010-191-080 | C-CAP,S 0.015-50 Z F GRM | a | b |
| MAIN | O | C 0206 | 87-010-191-080 | C-CAP,S 0.015-50 Z F GRM | a | b |
| MAIN | O | C 0207 | 87-012-286-080 | C-CAP,U 0.01-25 K B GRM | a | b |
| MAIN | O | C 0208 | 87-012-286-080 | C-CAP,U 0.01-25 K B GRM | a | b |
| MAIN | O | C 0223 | 87-012-272-080 | C-CAP,U 680P-50 K B GRM | a | b |
| MAIN | O | C 0224 | 87-012-272-080 | C-CAP,U 680P-50 K B GRM | a | b |
| MAIN | O | C 0225 | 87-A12-317-080 | C-CAP,U 0.1-50 Z F | a | b |
| MAIN | O | C 0226 | 87-A12-317-080 | C-CAP,U 0.1-50 Z F | a | b |
| MAIN | O | C 0227 | 87-A12-317-080 | C-CAP,U 0.1-50 Z F | a | b |
| MAIN | O | C 0228 | 87-A12-317-080 | C-CAP,U 0.1-50 Z F | a | b |
| MAIN | O | C 0229 | 87-010-191-080 | C-CAP,S 0.015-50 Z F GRM | a | b |
| MAIN | O | C 0230 | 87-010-191-080 | C-CAP,S 0.015-50 Z F GRM | a | b |
| MAIN | O | C 0231 | 87-012-286-080 | C-CAP,U 0.01-25 K B GRM | a | b |
| MAIN | O | C 0232 | 87-012-286-080 | C-CAP,U 0.01-25 K B GRM | a | b |
| MAIN | O | C 0298 | 87-010-759-080 | C-CAP,U 0.1-25 Z F CM/CB | a | b |
| MAIN | O | C 0401 | 87-012-275-080 | C-CAP,U 1200P-50 K B GRM | a | b |
| MAIN | O | C 0402 | 87-012-275-080 | C-CAP,U 1200P-50 K B GRM | a | b |
| MAIN | O | C 0403 | 87-012-275-080 | C-CAP,U 1200P-50 K B GRM | a | b |
| MAIN | O | C 0404 | 87-012-275-080 | C-CAP,U 1200P-50 K B GRM | a | b |
| MAIN | O | C 0405 | 87-012-270-080 | C-CAP,U 470P-50 K B GRM | a | b |
| MAIN | O | C 0406 | 87-012-274-080 | C-CAP,U 1000P-50 K B GRM | a | b |
| MAIN | O | C 0450 | 87-012-274-080 | C-CAP,U 1000P-50 K B GRM | a | b |
| MAIN | O | C 0451 | 87-010-831-080 | C-CAP,U 0.1-16 Z F GRM | a | b |
| MAIN | O | C 0452 | 87-010-406-080 | CAP,E 22-50 M 11L SME | a | b |
| MAIN | O | C 0453 | 87-012-279-080 | C-CAP,U 2700P-50 K B GRM | a | b |
| MAIN | O | C 0454 | 87-012-279-080 | C-CAP,U 2700P-50 K B GRM | a | b |
| MAIN | O | C 0455 | 87-012-279-080 | C-CAP,U 2700P-50 K B GRM | a | b |
| MAIN | O | C 0456 | 87-012-286-080 | C-CAP,U 0.01-25 K B GRM | a | b |
| MAIN | O | C 0457 | 87-A12-361-080 | CAP,M 5600P-100 J CP | a | b |
| MAIN | O | C 0458 | 87-012-278-080 | C-CAP,U 2200P-50 K B GRM | a | b |
| MAIN | O | C 0459 | 87-012-271-080 | C-CAP,U 560P-50 K B GRM | a | b |
| MAIN | O | C 0460 | 87-010-831-080 | C-CAP,U 0.1-16 Z F GRM | a | b |
| MAIN | O | C 0461 | 87-012-158-080 | C-CAP,S 390P-50 J CH GRM | a | b |
| MAIN | O | C 0462 | 87-012-158-080 | C-CAP,S 390P-50 J CH GRM | a | b |
| MAIN | O | C 0463 | 87-010-831-080 | C-CAP,U 0.1-16 Z F GRM | a | b |
| MAIN | O | C 0464 | 87-012-278-080 | C-CAP,U 2200P-50 K B GRM | a | b |
| MAIN | O | C 0465 | 87-012-286-080 | C-CAP,U 0.01-25 K B GRM | a | b |
| MAIN | O | C 0466 | 87-010-196-080 | C-CAP,S 0.1-25 Z F C2012 | a | b |
| MAIN | O | C 0501 | 87-010-401-080 | CAP,E 1-50 M 11L SME | a | b |
| MAIN | O | C 0502 | 87-010-260-080 | CAP,E 47-25 M 11L SME | a | b |
| MAIN | O | C 0503 | 87-010-260-080 | CAP,E 47-25 M 11L SME | a | b |
| MAIN | O | C 0551 | 87-010-545-080 | CAP,E 0.22-50 M 11L SME | a | b |
| MAIN | O | C 0552 | 87-010-545-080 | CAP,E 0.22-50 M 11L SME | a | b |
| MAIN | O | C 0553 | 87-A12-368-080 | CAP,M 0.022-100 J CP | a | b |
| MAIN | O | C 0554 | 87-A12-368-080 | CAP,M 0.022-100 J CP | a | b |
| MAIN | O | C 0555 | 87-010-545-080 | CAP,E 0.22-50 M 11L SME | a | b |
| MAIN | O | C 0556 | 87-010-545-080 | CAP,E 0.22-50 M 11L SME | a | b |
| MAIN | O | C 0557 | 87-010-545-080 | CAP,E 0.22-50 M 11L SME | a | b |
| MAIN | O | C 0558 | 87-010-545-080 | CAP,E 0.22-50 M 11L SME | a | b |
| MAIN | O | C 0563 | 87-010-260-080 | CAP,E 47-25 M 11L SME | a | b |
| MAIN | O | C 0564 | 87-010-260-080 | CAP,E 47-25 M 11L SME | a | b |
| MAIN | O | C 0565 | 87-010-401-080 | CAP,E 1-50 M 11L SME | a | b |
| MAIN | O | C 0566 | 87-010-401-080 | CAP,E 1-50 M 11L SME | a | b |
| MAIN | O | C 0595 | 87-010-544-080 | CAP,E 0.1-50 M 11L SME | a | b |
| MAIN | O | C 0596 | 87-010-544-080 | CAP,E 0.1-50 M 11L SME | a | b |
| MAIN | O | C 0597 | 87-010-544-080 | CAP,E 0.1-50 M 11L SME | a | b |
| MAIN | O | C 0598 | 87-010-544-080 | CAP,E 0.1-50 M 11L SME | a | b |
| MAIN | O | C 0601 | 87-012-188-080 | C-CAP,U 47P-50 J CH GRM | a | b |
| MAIN | O | C 0602 | 87-012-188-080 | C-CAP,U 47P-50 J CH GRM | a | b |
| MAIN | O | C 0603 | 87-010-263-080 | CAP,E 100-10 M 11L SME | a | b |
| MAIN | O | C 0604 | 87-010-263-080 | CAP,E 100-10 M 11L SME | a | b |
| MAIN | X | C 0605 | 88-700-740-810 | CAP,M 6800P-50 J | a | b |
| MAIN | X | C 0606 | 88-700-740-810 | CAP,M 6800P-50 J | a | b |
| MAIN | O | C 0607 | 87-012-270-080 | C-CAP,U 470P-50 K B GRM | a | b |
| MAIN | O | C 0608 | 87-012-270-080 | C-CAP,U 470P-50 K B GRM | a | b |
| MAIN | O | C 0609 | 87-010-400-080 | CAP,E 0.47-50 M 11L SME | a | b |
| MAIN | O | C 0610 | 87-010-400-080 | CAP,E 0.47-50 M 11L SME | a | b |

ELECTRICAL PARTS LIST - 11/21

! = Δ SAFTY PARTS
 C = Components marked

All components used on this model at the production line are shown in this service manual.

However, please note that not all components will be available as spare parts for after-sales service.

Components marked S and O are designated as spare parts for service and will be stocked at the spare parts centers.

Components marked X and R are not designated as spare parts for after sales service, and will not be stocked at the spare parts centers.

| UNIT-NAME | ! C | REF-NO | PARTS-NO | PARTS-NAME | SUFFIX&MODEL | |
|-----------|-----|--------|----------------|----------------------------|--------------------|-------------------|
| | | | | | CX-SNTR99 EZSTC | CX-SNTR99 KSTC |
| MAIN | O | C 0611 | 87-012-273-080 | C-CAP,U 820P-50 K B GRM | a | b |
| MAIN | O | C 0612 | 87-012-273-080 | C-CAP,U 820P-50 K B GRM | a | b |
| MAIN | X | C 0613 | 88-700-610-810 | CAP,M 1000P-50 J | a | b |
| MAIN | X | C 0614 | 88-700-610-810 | CAP,M 1000P-50 J | a | b |
| MAIN | X | C 0615 | 88-700-610-810 | CAP,M 1000P-50 J | a | b |
| MAIN | X | C 0616 | 88-700-610-810 | CAP,M 1000P-50 J | a | b |
| MAIN | O | C 0617 | 87-A10-295-080 | CAP,M 0.01-50 J | a | b |
| MAIN | O | C 0618 | 87-A10-295-080 | CAP,M 0.01-50 J | a | b |
| MAIN | O | C 0619 | 87-A10-295-080 | CAP,M 0.01-50 J | a | b |
| MAIN | O | C 0620 | 87-A10-295-080 | CAP,M 0.01-50 J | a | b |
| MAIN | O | C 0621 | 87-010-545-080 | CAP,E 0.22-50 M 11L SME | a | b |
| MAIN | O | C 0622 | 87-010-545-080 | CAP,E 0.22-50 M 11L SME | a | b |
| MAIN | O | C 0623 | 87-010-545-080 | CAP,E 0.22-50 M 11L SME | a | b |
| MAIN | O | C 0624 | 87-010-545-080 | CAP,E 0.22-50 M 11L SME | a | b |
| MAIN | O | C 0631 | 87-012-195-080 | C-CAP,U 100P-50 J CH GRM | a | b |
| MAIN | O | C 0632 | 87-012-195-080 | C-CAP,U 100P-50 J CH GRM | a | b |
| MAIN | O | C 0633 | 87-012-284-080 | C-CAP,U 6800P-50 K B GRM | a | b |
| MAIN | O | C 0634 | 87-012-284-080 | C-CAP,U 6800P-50 K B GRM | a | b |
| MAIN | O | C 0635 | 87-012-286-080 | C-CAP,U 0.01-25 K B GRM | a | b |
| MAIN | O | C 0636 | 87-012-286-080 | C-CAP,U 0.01-25 K B GRM | a | b |
| MAIN | O | C 0637 | 87-012-278-080 | C-CAP,U 2200P-50 K B GRM | a | b |
| MAIN | O | C 0638 | 87-012-278-080 | C-CAP,U 2200P-50 K B GRM | a | b |
| MAIN | O | C 0641 | 87-010-401-080 | CAP,E 1-50 M 11L SME | a | b |
| MAIN | O | C 0642 | 87-010-401-080 | CAP,E 1-50 M 11L SME | a | b |
| MAIN | O | C 0651 | 87-A12-063-080 | CAP,E 220-10 SMG | a | b |
| MAIN | O | C 0652 | 87-010-260-080 | CAP,E 47-25 M 11L SME | a | b |
| MAIN | O | C 0655 | 87-010-402-080 | CAP,E 2.2-50 M 11L SME | a | b |
| MAIN | O | C 0656 | 87-010-784-080 | C-CAP,U 0.012-25 K B GRM | a | b |
| MAIN | O | C 0657 | 87-010-260-080 | CAP,E 47-25 M 11L SME | a | b |
| MAIN | O | C 0658 | 87-010-260-080 | CAP,E 47-25 M 11L SME | a | b |
| MAIN | O | C 0663 | 87-010-831-080 | C-CAP,U 0.1-16 Z F GRM | a | b |
| MAIN | O | C 0664 | 87-010-831-080 | C-CAP,U 0.1-16 Z F GRM | a | b |
| MAIN | O | C 0665 | 87-A10-504-080 | C-CAP,U 0.047-16 K B | a | b |
| MAIN | O | C 0666 | 87-A10-504-080 | C-CAP,U 0.047-16 K B | a | b |
| MAIN | O | C 0669 | 87-012-271-080 | C-CAP,U 560P-50 K B GRM | a | b |
| MAIN | O | C 0670 | 87-012-271-080 | C-CAP,U 560P-50 K B GRM | a | b |
| MAIN | O | C 0677 | 87-012-286-080 | C-CAP,U 0.01-25 K B GRM | a | b |
| MAIN | O | C 0681 | 87-A10-504-080 | C-CAP,U 0.047-16 K B | a | b |
| MAIN | O | C 0682 | 87-010-787-080 | C-CAP,U 0.022-25 K B GRM | a | b |
| MAIN | O | C 0683 | 87-010-831-080 | C-CAP,U 0.1-16 Z F GRM | a | b |
| MAIN | O | C 0685 | 87-010-831-080 | C-CAP,U 0.1-16 Z F GRM | a | b |
| MAIN | O | C 0687 | 87-A11-058-080 | C-CAP,U 0.22-10 K B | a | b |
| MAIN | O | C 0688 | 87-A11-058-080 | C-CAP,U 0.22-10 K B | a | b |
| MAIN | O | C 0689 | 87-010-831-080 | C-CAP,U 0.1-16 Z F GRM | a | b |
| MAIN | O | C 0690 | 87-010-831-080 | C-CAP,U 0.1-16 Z F GRM | a | b |
| MAIN | O | C 0771 | 87-010-263-080 | CAP,E 100-10 M 11L SME | a | b |
| MAIN | O | C 0772 | 87-012-286-080 | C-CAP,U 0.01-25 K B GRM | a | b |
| MAIN | X | C 0781 | 88-108-000-080 | C-JUMPER,U | a | b |
| MAIN | O | C 0782 | 87-012-286-080 | C-CAP,U 0.01-25 K B GRM | a | b |
| MAIN | O | C 0783 | 87-012-286-080 | C-CAP,U 0.01-25 K B GRM | a | b |
| MAIN | O | C 0784 | 87-012-286-080 | C-CAP,U 0.01-25 K B GRM | a | b |
| MAIN | O | C 0785 | 87-012-286-080 | C-CAP,U 0.01-25 K B GRM | a | b |
| MAIN | O | C 0786 | 87-012-286-080 | C-CAP,U 0.01-25 K B GRM | a | b |
| MAIN | O | C 0788 | 87-012-167-080 | C-CAP,U 5P-50 C CH GRM | a | b |
| MAIN | O | C 0789 | 87-016-118-080 | C-CAP,U 0.022-25 J B GRM | a | b |
| MAIN | O | C 0790 | 87-016-118-080 | C-CAP,U 0.022-25 J B GRM | a | b |
| MAIN | O | C 0791 | 87-010-759-080 | C-CAP,U 0.1-25 Z F CM/CB | a | b |
| MAIN | O | C 0792 | 87-012-286-080 | C-CAP,U 0.01-25 K B GRM | a | b |
| MAIN | O | C 0793 | 87-010-404-080 | CAP,E 4.7-50 M 11L SME | a | b |
| MAIN | O | C 0795 | 87-012-286-080 | C-CAP,U 0.01-25 K B GRM | a | b |
| MAIN | O | C 0796 | 87-012-286-080 | C-CAP,U 0.01-25 K B GRM | a | b |
| MAIN | O | C 0797 | 87-010-405-080 | CAP,E 10-50 M 11L SME | a | b |
| MAIN | O | C 0798 | 87-012-286-080 | C-CAP,U 0.01-25 K B GRM | a | b |
| MAIN | O | C 0799 | 87-010-265-080 | CAP,E 33-16 M 11L SME | a | b |
| MAIN | O | C 0800 | 87-010-829-080 | C-CAP,U 0.047-16 Z F CM/CB | a | b |
| MAIN | O | C 0801 | 87-010-403-080 | CAP,E 3.3-50 M 11L SME | a | b |
| MAIN | O | C 0802 | 87-010-829-080 | C-CAP,U 0.047-16 Z F CM/CB | a | b |
| MAIN | O | C 0803 | 87-010-787-080 | C-CAP,U 0.022-25 K B GRM | a | b |
| MAIN | O | C 0804 | 87-010-263-080 | CAP,E 100-10 M 11L SME | a | b |
| MAIN | O | C 0807 | 87-010-400-080 | CAP,E 0.47-50 M 11L SME | a | b |
| MAIN | O | C 0808 | 87-010-401-080 | CAP,E 1-50 M 11L SME | a | b |
| MAIN | O | C 0809 | 87-010-401-080 | CAP,E 1-50 M 11L SME | a | b |
| MAIN | O | C 0810 | 87-010-759-080 | C-CAP,U 0.1-25 Z F CM/CB | a | b |
| MAIN | O | C 0814 | 87-012-286-080 | C-CAP,U 0.01-25 K B GRM | a | b |
| MAIN | O | C 0815 | 87-010-400-080 | CAP,E 0.47-50 M 11L SME | a | b |
| MAIN | O | C 0816 | 87-010-400-080 | CAP,E 0.47-50 M 11L SME | a | b |
| MAIN | O | C 0818 | 87-012-276-080 | C-CAP,U 1500P-50 K B GRM | a | b |
| MAIN | O | C 0821 | 87-010-405-080 | CAP,E 10-50 M 11L SME | a | b |
| MAIN | X | C 0822 | 88-108-000-080 | C-JUMPER,U | a | b |
| MAIN | O | C 0823 | 87-012-349-080 | C-CAP,S 1000P-50 J CH GRM | a | b |

ELECTRICAL PARTS LIST - 12/21

! = Δ SAFTY PARTS
 C = Components marked

All components used on this model at the production line are shown in this service manual.

However, please note that not all components will be available as spare parts for after-sales service.

Components marked S and O are designated as spare parts for service and will be stocked at the spare parts centers.

Components marked X and R are not designated as spare parts for after sales service, and will not be stocked at the spare parts centers.

| UNIT-NAME | ! C | REF-NO | PARTS-NO | PARTS-NAME | SUFFIX&MODEL | |
|-----------|-----|--------|----------------|----------------------------|--------------------|-------------------|
| | | | | | CX-SNTR99 EZSTC | CX-SNTR99 KSTC |
| MAIN | O | C 0824 | 87-010-404-080 | CAP,E 4.7-50 M 11L SME | a | b |
| MAIN | O | C 0825 | 87-010-596-080 | C-CAP,S 0.047-16 K R C2012 | a | b |
| MAIN | O | C 0831 | 87-010-406-080 | CAP,E 22-50 M 11L SME | a | b |
| MAIN | O | C 0842 | 87-012-286-080 | C-CAP,U 0.01-25 K B GRM | a | b |
| MAIN | O | C 0843 | 87-012-286-080 | C-CAP,U 0.01-25 K B GRM | a | b |
| MAIN | O | C 0844 | 87-012-286-080 | C-CAP,U 0.01-25 K B GRM | a | b |
| MAIN | O | C 0845 | 87-012-286-080 | C-CAP,U 0.01-25 K B GRM | a | b |
| MAIN | O | C 0846 | 87-012-286-080 | C-CAP,U 0.01-25 K B GRM | a | b |
| MAIN | X | C 0847 | 88-108-000-080 | C-JUMPER,U | a | b |
| MAIN | X | C 0848 | 88-108-000-080 | C-JUMPER,U | a | b |
| MAIN | O | C 0849 | 87-012-286-080 | C-CAP,U 0.01-25 K B GRM | a | b |
| MAIN | O | C 0850 | 87-010-260-080 | CAP,E 47-25 M 11L SME | a | b |
| MAIN | O | C 0851 | 87-012-286-080 | C-CAP,U 0.01-25 K B GRM | a | b |
| MAIN | O | C 0852 | 87-012-286-080 | C-CAP,U 0.01-25 K B GRM | a | b |
| MAIN | O | C 0853 | 87-012-286-080 | C-CAP,U 0.01-25 K B GRM | a | b |
| MAIN | O | C 0859 | 87-010-759-080 | C-CAP,U 0.1-25 Z F CM/CB | a | b |
| MAIN | O | C 0860 | 87-012-286-080 | C-CAP,U 0.01-25 K B GRM | a | b |
| MAIN | O | C 0869 | 87-012-286-080 | C-CAP,U 0.01-25 K B GRM | a | b |
| MAIN | O | C 0870 | 87-012-274-080 | C-CAP,U 1000P-50 K B GRM | a | b |
| MAIN | O | C 0871 | 87-012-199-080 | C-CAP,U 220P-50 J CH GRM | a | b |
| MAIN | O | C 0872 | 87-012-199-080 | C-CAP,U 220P-50 J CH GRM | a | b |
| MAIN | O | C 0873 | 87-A10-039-080 | C-CAP,U 470P-50 J CH | a | b |
| MAIN | O | C 0874 | 87-010-405-080 | CAP,E 10-50 M 11L SME | a | b |
| MAIN | O | C 0875 | 87-010-759-080 | C-CAP,U 0.1-25 Z F CM/CB | a | b |
| MAIN | O | C 0876 | 87-010-405-080 | CAP,E 10-50 M 11L SME | a | b |
| MAIN | O | C 0877 | 87-012-286-080 | C-CAP,U 0.01-25 K B GRM | a | b |
| MAIN | O | C 0878 | 87-012-184-080 | C-CAP,U 33P-50 J CH GRM | a | b |
| MAIN | O | C 0879 | 87-012-180-080 | C-CAP,U 22P-50 J CH GRM | a | b |
| MAIN | O | C 0901 | 87-012-162-080 | C-CAP,U 1P-50 C CH GRM | a | b |
| MAIN | O | C 0902 | 87-012-165-080 | C-CAP,U 3P-50 C CH GRM | a | b |
| MAIN | O | C 0903 | 87-012-164-080 | C-CAP,U 2P-50 C CH GRM | a | b |
| MAIN | O | C 0904 | 86-ZA1-615-080 | C-CAP,U 680P-25 J CH | a | b |
| MAIN | O | C 0905 | 87-012-162-080 | C-CAP,U 1P-50 C CH GRM | a | b |
| MAIN | O | C 0906 | 87-012-172-080 | C-CAP,U 10P-50 D CH GRM | a | b |
| MAIN | O | C 0907 | 87-012-166-080 | C-CAP,U 4P-50 C CH GRM | a | b |
| MAIN | O | C 0908 | 87-012-165-080 | C-CAP,U 3P-50 C CH GRM | a | b |
| MAIN | O | C 0909 | 86-ZA1-615-080 | C-CAP,U 680P-25 J CH | a | b |
| MAIN | O | C 0910 | 87-012-164-080 | C-CAP,U 2P-50 C CH GRM | a | b |
| MAIN | O | C 0911 | 87-012-166-080 | C-CAP,U 4P-50 C CH GRM | a | b |
| MAIN | O | C 0912 | 87-012-195-080 | C-CAP,U 100P-50 J CH GRM | a | b |
| MAIN | O | C 0913 | 86-ZA1-616-080 | C-CAP,U 0.01-50 K B (MUR) | a | b |
| MAIN | O | C 0914 | 86-ZA1-616-080 | C-CAP,U 0.01-50 K B (MUR) | a | b |
| MAIN | O | C 0915 | 86-ZA1-616-080 | C-CAP,U 0.01-50 K B (MUR) | a | b |
| MAIN | O | C 0916 | 86-ZA1-616-080 | C-CAP,U 0.01-50 K B (MUR) | a | b |
| MAIN | O | C 0917 | 87-012-178-080 | C-CAP,U 18P-50 J CH GRM | a | b |
| MAIN | O | C 0918 | 87-012-172-080 | C-CAP,U 10P-50 D CH GRM | a | b |
| MAIN | O | C 0919 | 87-012-184-080 | C-CAP,U 33P-50 J CH GRM | a | b |
| MAIN | O | C 0920 | 87-012-184-080 | C-CAP,U 33P-50 J CH GRM | a | b |
| MAIN | O | C 0921 | 87-012-180-080 | C-CAP,U 22P-50 J CH GRM | a | b |
| MAIN | O | C 0922 | 87-012-174-080 | C-CAP,U 12P-50 J CH GRM | a | b |
| MAIN | O | C 0923 | 86-ZA1-616-080 | C-CAP,U 0.01-50 K B (MUR) | a | b |
| MAIN | O | C 0924 | 87-012-164-080 | C-CAP,U 2P-50 C CH GRM | a | b |
| MAIN | O | C 0925 | 87-012-164-080 | C-CAP,U 2P-50 C CH GRM | a | b |
| MAIN | O | C 0926 | 86-ZA1-616-080 | C-CAP,U 0.01-50 K B (MUR) | a | b |
| MAIN | O | C 0931 | 87-A12-319-080 | C-CAP,U 0.1-25 K B | a | b |
| MAIN | O | C 0940 | 87-012-286-080 | C-CAP,U 0.01-25 K B GRM | a | b |
| MAIN | O | C 0942 | 87-012-167-080 | C-CAP,U 5P-50 C CH GRM | a | b |
| MAIN | O | C 0947 | 87-012-286-080 | C-CAP,U 0.01-25 K B GRM | a | b |
| MAIN | O | C 0948 | 87-A10-039-080 | C-CAP,U 470P-50 J CH | a | b |
| MAIN | O | C 0952 | 87-012-286-080 | C-CAP,U 0.01-25 K B GRM | a | b |
| MAIN | O | C 0958 | 87-012-286-080 | C-CAP,U 0.01-25 K B GRM | a | b |
| MAIN | O | C 0959 | 87-010-759-080 | C-CAP,U 0.1-25 Z F CM/CB | a | b |
| MAIN | O | C 0960 | 87-010-759-080 | C-CAP,U 0.1-25 Z F CM/CB | a | b |
| MAIN | O | C 0962 | 87-010-401-080 | CAP,E 1-50 M 11L SME | a | b |
| MAIN | O | C 0963 | 87-A12-319-080 | C-CAP,U 0.1-25 K B | a | b |
| MAIN | O | C 0971 | 87-010-381-080 | CAP,E 330-16 M SME | a | b |
| MAIN | O | C 0972 | 87-010-404-080 | CAP,E 4.7-50 M 11L SME | a | b |
| MAIN | O | C 0973 | 87-012-286-080 | C-CAP,U 0.01-25 K B GRM | a | b |
| MAIN | O | C 0974 | 87-012-286-080 | C-CAP,U 0.01-25 K B GRM | a | b |
| MAIN | O | C 0979 | 87-012-195-080 | C-CAP,U 100P-50 J CH GRM | a | b |
| MAIN | O | C 0981 | 87-010-260-080 | CAP,E 47-25 M 11L SME | a | b |
| MAIN | O | C 0982 | 87-010-759-080 | C-CAP,U 0.1-25 Z F CM/CB | a | b |
| MAIN | O | C 0983 | 87-012-286-080 | C-CAP,U 0.01-25 K B GRM | a | b |
| MAIN | O | C 0984 | 87-012-286-080 | C-CAP,U 0.01-25 K B GRM | a | b |
| MAIN | O | C 0985 | 87-012-195-080 | C-CAP,U 100P-50 J CH GRM | a | b |
| MAIN | O | C 0987 | 87-012-286-080 | C-CAP,U 0.01-25 K B GRM | a | b |
| MAIN | O | C 0989 | 87-012-286-080 | C-CAP,U 0.01-25 K B GRM | a | b |
| MAIN | O | C 0991 | 87-012-176-080 | C-CAP,U 15P-50 J CH GRM | a | b |
| MAIN | O | C 0992 | 87-012-176-080 | C-CAP,U 15P-50 J CH GRM | a | b |
| MAIN | O | C 0993 | 87-012-274-080 | C-CAP,U 1000P-50 K B GRM | a | b |

ELECTRICAL PARTS LIST - 13/21

! = Δ SAFETY PARTS
 C = Components marked

All components used on this model at the production line are shown in this service manual.

However, please note that not all components will be available as spare parts for after-sales service.

Components marked S and O are designated as spare parts for service and will be stocked at the spare parts centers.

Components marked X and R are not designated as spare parts for after sales service, and will not be stocked at the spare parts centers.

| UNIT-NAME | ! C | REF-NO | PARTS-NO | PARTS-NAME | SUFFIX&MODEL | |
|-----------|-----|---------|----------------|--------------------------------|--------------------|-------------------|
| | | | | | CX-SNTR99 EZSTC | CX-SNTR99 KSTC |
| MAIN | O C | 0995 | 87-012-274-080 | C-CAP,U 1000P-50 K B GRM | a | b |
| MAIN | O C | 0997 | 87-010-759-080 | C-CAP,U 0.1-25 Z F CM/CB | a | b |
| MAIN | O C | 0998 | 87-010-260-080 | CAP,E 47-25 M 11L SME | a | b |
| MAIN | O C | 0999 | 87-A11-155-080 | CAP,TC U 0.01-16 Z F | a | b |
| MAIN | O | CF0831 | 87-008-423-010 | FLTR,CF SFE10.7MS3G-A | a | b |
| MAIN | O | CF0832 | 82-785-747-010 | CF,MSGH-A | a | b |
| MAIN | X | CLP0301 | 87-A60-884-010 | PIN,DIAL COATING-SHS | a | b |
| MAIN | X | CLP0601 | 87-A60-884-010 | PIN,DIAL COATING-SHS | a | b |
| MAIN | O | CN0002 | 87-A60-996-010 | CONN,13P V BLK TAC-L13X-A3 | a | b |
| MAIN | O | CN0003 | 87-A60-998-010 | CONN,15P V BLK TAC-L15X-A3 | a | b |
| MAIN | O | CN0201 | 87-A61-109-010 | CONN,7P V TID-A | a | b |
| MAIN | O | CN0401 | 87-A60-620-010 | CONN,3P V 2MM JMT | a | b |
| MAIN | O | CN0402 | 87-A60-625-010 | CONN,8P V 2MM JMT | a | b |
| MAIN | O | CN0504 | 87-A60-619-010 | CONN,2P V 2MM JMT | a | b |
| MAIN | O | CN0601 | 87-099-719-010 | CONN,30P H BLK TYK-B(X) | a | b |
| MAIN | O | CN0602 | 87-A60-131-010 | CONN,6P V FE | a | b |
| MAIN | O | CNA0001 | 8A-NF8-654-010 | CONN ASSY,11P TID-A(480) | a | b |
| MAIN | S D | 0009 | 87-A40-839-090 | DIODE,G5SBA60L-6088 | a | b |
| MAIN | S D | 0010 | 87-A40-673-090 | DIODE,D10XB20 | a | b |
| MAIN | S D | 0011 | 87-A40-270-040 | C-DIODE,MC2838 | a | b |
| | | | | | CX-SNTR99 EZSTC | CX-SNTR99 KSTC |
| MAIN | S D | 0012 | 87-020-465-080 | DIODE,1SS133 | a | b |
| MAIN | S D | 0013 | 87-A40-764-080 | ZENER,UZ10BSC | a | b |
| MAIN | S D | 0029 | 87-A40-780-080 | ZENER,UZ33BSD | a | b |
| MAIN | S D | 0043 | 87-A40-270-040 | C-DIODE,MC2838 | a | b |
| MAIN | S D | 0044 | 87-A40-269-040 | C-DIODE,MC2836 | a | b |
| MAIN | S D | 0063 | 87-A40-270-040 | C-DIODE,MC2838 | a | b |
| MAIN | S D | 0064 | 87-A40-269-040 | C-DIODE,MC2836 | a | b |
| MAIN | S D | 0076 | 87-A40-269-040 | C-DIODE,MC2836 | a | b |
| MAIN | S D | 0077 | 87-A40-270-040 | C-DIODE,MC2838 | a | b |
| MAIN | S D | 0401 | 87-A40-269-040 | C-DIODE,MC2836 | a | b |
| MAIN | S D | 0501 | 87-020-465-080 | DIODE,1SS133 | a | b |
| MAIN | S D | 0502 | 87-020-465-080 | DIODE,1SS133 | a | b |
| MAIN | S D | 0550 | 87-A40-766-080 | ZENER,UZ11BSC | a | b |
| MAIN | S D | 0661 | 87-A40-745-080 | ZENER,UZ4.7BSA | a | b |
| MAIN | S D | 0662 | 87-A40-745-080 | ZENER,UZ4.7BSA | a | b |
| MAIN | S D | 0801 | 87-020-465-080 | DIODE,1SS133 | a | b |
| MAIN | S D | 0803 | 87-020-465-080 | DIODE,1SS133 | a | b |
| MAIN | O D | 0901 | 87-A41-048-040 | C-VARI-CAP,HVM16-03 TL | a | b |
| MAIN | O D | 0902 | 87-A41-048-040 | C-VARI-CAP,HVM16-03 TL | a | b |
| MAIN | O D | 0903 | 87-A41-048-040 | C-VARI-CAP,HVM16-03 TL | a | b |
| | | | | | CX-SNTR99 EZSTC | CX-SNTR99 KSTC |
| MAIN | S D | 0942 | 87-A40-270-040 | C-DIODE,MC2838 | a | b |
| MAIN | S D | 0944 | 87-A40-291-080 | DIODE,1N4148M (CPT) | a | b |
| MAIN | O D | 0951 | 87-A40-799-040 | C-VARI-CAP,KV1610S | a | b |
| MAIN | S D | 0991 | 87-017-149-080 | ZENER,HZS6A2L | a | b |
| MAIN | S D | 0992 | 87-020-465-080 | DIODE,1SS133 | a | b |
| MAIN | S D | 0994 | 87-020-465-080 | DIODE,1SS133 | a | b |
| MAIN | X | FB0601 | 88-108-000-080 | C-JUMPER,U | a | b |
| MAIN | X | FB0602 | 88-108-000-080 | C-JUMPER,U | a | b |
| MAIN | X | FB0603 | 88-100-000-010 | JUMPER WIRE,PLATING | a | b |
| MAIN | S | IC0001 | 87-A21-364-010 | IC,NJM7806FA(A) | a | b |
| MAIN | S | IC0551 | 87-017-888-080 | C-IC,NJM4558MD | a | b |
| MAIN | S | IC0601 | 87-A22-264-040 | C-IC,BD3882FV | a | b |
| MAIN | S | IC0681 | 87-A21-419-040 | C-IC,NJM14558MD-TE2 | a | b |
| MAIN | S | IC0682 | 87-017-726-040 | C-IC,BU4052BCF | a | b |
| MAIN | S | IC0801 | 87-A22-060-010 | IC,LA1845N-A | a | b |
| MAIN | S | IC0861 | 87-A20-440-040 | C-IC,BU1920FS | a | b |
| MAIN | S | IC0991 | 87-A21-928-010 | IC,LC72131D-N | a | b |
| MAIN | O J | 0601 | 87-A60-881-010 | JACK,PIN 2P MSP 242V05 PBSN | a | b |
| MAIN | X J | 0832 | 87-A60-403-110 | TERMINAL,ANT PAL 2P HSP-312V05 | a | b |
| MAIN | O | JR0201 | 88-108-332-080 | C-RES,U 3.3K-1/16W J | a | b |
| | | | | | CX-SNTR99 EZSTC | CX-SNTR99 KSTC |
| MAIN | X | JR0508 | 88-108-183-080 | C-RES,U 18K-1/16W J | a | b |
| MAIN | X | JR0511 | 88-108-183-080 | C-RES,U 18K-1/16W J | a | b |
| MAIN | X | JR0808 | 88-108-474-080 | C-RES,U 470K-1/16W J | a | b |
| MAIN | O | JR0901 | 87-012-286-080 | C-CAP,U 0.01-25 K B GRM | a | b |
| MAIN | O | JR0903 | 87-012-286-080 | C-CAP,U 0.01-25 K B GRM | a | b |
| MAIN | O L | 0201 | 87-A50-610-010 | COIL,1UH K(MDEC) | a | b |
| MAIN | O L | 0202 | 87-A50-610-010 | COIL,1UH K(MDEC) | a | b |
| MAIN | O L | 0203 | 87-A50-610-010 | COIL,1UH K(MDEC) | a | b |
| MAIN | O L | 0204 | 87-A50-610-010 | COIL,1UH K(MDEC) | a | b |
| MAIN | O L | 0451 | 87-007-342-010 | COIL,OSC 85KHZ BIAS | a | b |
| MAIN | O L | 0801 | 87-A50-608-010 | COIL,FM DET-N(TOK) | a | b |
| MAIN | O L | 0802 | 87-A91-551-010 | FLTR,PCFJZH-450 L(TOK) | a | b |
| MAIN | O L | 0811 | 87-005-847-080 | COIL,2.2UH K CECS | a | b |
| MAIN | O L | 0832 | 87-005-847-080 | COIL,2.2UH K CECS | a | b |
| MAIN | O L | 0861 | 87-005-847-080 | COIL,2.2UH K CECS | a | b |
| MAIN | O L | 0901 | 86-ZA1-612-010 | COIL,FM ANT/RF-1-Z | a | b |
| MAIN | O L | 0902 | 86-ZA1-613-010 | COIL,FM ANT/RF-2-Z | a | b |
| MAIN | O L | 0903 | 87-005-847-080 | COIL,2.2UH K CECS | a | b |
| MAIN | O L | 0904 | 86-ZA1-612-010 | COIL,FM ANT/RF-1-Z | a | b |
| MAIN | O L | 0905 | 86-ZA1-613-010 | COIL,FM ANT/RF-2-Z | a | b |

ELECTRICAL PARTS LIST - 14/21

! = SAFETY PARTS
C = Components marked

All components used on this model at the production line are shown in this service manual.

However, please note that not all components will be available as spare parts for after-sales service.

Components marked S and O are designated as spare parts for service and will be stocked at the spare parts centers.

Components marked X and R are not designated as spare parts for after sales service, and will not be stocked at the spare parts centers.

| UNIT-NAME | ! C | REF-NO | PARTS-NO | PARTS-NAME | SUFFIX&MODEL | |
|-----------|-----|----------|----------------|----------------------------|--------------------|-------------------|
| | | | | | CX-SNTR99 EZSTC | CX-SNTR99 KSTC |
| MAIN | | O L 0906 | 87-005-847-080 | COIL, 2.2UH K CECS | a | b |
| MAIN | | O L 0907 | 86-ZA1-614-010 | COIL, FM OSC-Z | a | b |
| MAIN | | O L 0908 | 88-ZA1-624-010 | COIL, FM IFT 7-6.2 (COILS) | a | b |
| MAIN | | O L 0941 | 87-A50-020-010 | COIL, ANT LW (COI) 252KHZ | a | b |
| MAIN | | O L 0942 | 87-A50-019-010 | COIL, OSC LW (COI) 856KHZ | a | b |
| MAIN | | O L 0952 | 87-A50-754-010 | COIL, MW ANT (3BLW) | a | b |
| MAIN | | O L 0953 | 87-A50-755-010 | COIL, MW OSC (3BLW) | a | b |
| MAIN | | S Q 0001 | 87-A30-494-080 | TR, 2SA1980G | a | b |
| MAIN | | S Q 0002 | 87-A30-494-080 | TR, 2SA1980G | a | b |
| MAIN | | S Q 0003 | 87-A30-076-040 | C-TR, 2SC3052F | a | b |
| MAIN | | S Q 0009 | 87-A30-494-080 | TR, 2SA1980G | a | b |
| MAIN | | S Q 0010 | 87-A30-076-040 | C-TR, 2SC3052F | a | b |
| MAIN | | S Q 0012 | 87-A30-630-080 | TR, 2SC5343GL | a | b |
| MAIN | | S Q 0013 | 87-A30-076-040 | C-TR, 2SC3052F | a | b |
| MAIN | | S Q 0014 | 87-A30-075-040 | C-TR, 2SA1235F | a | b |
| MAIN | | S Q 0060 | 87-A30-076-040 | C-TR, 2SC3052F | a | b |
| MAIN | | S Q 0061 | 87-A30-075-040 | C-TR, 2SA1235F | a | b |
| MAIN | | S Q 0062 | 87-A30-076-040 | C-TR, 2SC3052F | a | b |
| MAIN | | S Q 0063 | 87-A30-075-040 | C-TR, 2SA1235F | a | b |
| MAIN | | S Q 0064 | 87-A30-076-040 | C-TR, 2SC3052F | a | b |
| | | | | | CX-SNTR99 EZSTC | CX-SNTR99 KSTC |
| MAIN | | S Q 0065 | 87-A30-075-040 | C-TR, 2SA1235F | a | b |
| MAIN | | S Q 0236 | 87-A30-538-040 | C-TR, SRA2202S | a | b |
| MAIN | | S Q 0237 | 87-A30-076-040 | C-TR, 2SC3052F | a | b |
| MAIN | | S Q 0238 | 87-A30-076-040 | C-TR, 2SC3052F | a | b |
| MAIN | | S Q 0401 | 87-A30-269-040 | C-FET, 2SJ461-T1 | a | b |
| MAIN | | S Q 0402 | 87-A30-269-040 | C-FET, 2SJ461-T1 | a | b |
| MAIN | | S Q 0403 | 87-A30-087-080 | C-FET, 2SK2158 | a | b |
| MAIN | | S Q 0404 | 87-A30-087-080 | C-FET, 2SK2158 | a | b |
| MAIN | | S Q 0405 | 87-A30-269-040 | C-FET, 2SJ461-T1 | a | b |
| MAIN | | S Q 0406 | 87-A30-269-040 | C-FET, 2SJ461-T1 | a | b |
| MAIN | | S Q 0407 | 87-A30-087-080 | C-FET, 2SK2158 | a | b |
| MAIN | | S Q 0408 | 87-A30-087-080 | C-FET, 2SK2158 | a | b |
| MAIN | | S Q 0409 | 87-A30-087-080 | C-FET, 2SK2158 | a | b |
| MAIN | | S Q 0451 | 87-A30-630-080 | TR, 2SC5343GL | a | b |
| MAIN | | S Q 0452 | 87-A30-076-040 | C-TR, 2SC3052F | a | b |
| MAIN | | S Q 0453 | 89-333-317-880 | TR, 2SC3331 (T/U) | a | b |
| MAIN | | S Q 0454 | 89-333-317-880 | TR, 2SC3331 (T/U) | a | b |
| MAIN | | S Q 0455 | 87-A30-119-040 | C-TR, 2SC3906K R | a | b |
| MAIN | | S Q 0456 | 87-A30-076-040 | C-TR, 2SC3052F | a | b |
| MAIN | | S Q 0501 | 87-A30-076-040 | C-TR, 2SC3052F | a | b |
| | | | | | CX-SNTR99 EZSTC | CX-SNTR99 KSTC |
| MAIN | | S Q 0502 | 87-A30-075-040 | C-TR, 2SA1235F | a | b |
| MAIN | | S Q 0503 | 87-A30-494-080 | TR, 2SA1980G | a | b |
| MAIN | | S Q 0601 | 87-A30-538-040 | C-TR, SRA2202S | a | b |
| MAIN | | S Q 0651 | 87-A30-087-080 | C-FET, 2SK2158 | a | b |
| MAIN | | S Q 0652 | 87-A30-087-080 | C-FET, 2SK2158 | a | b |
| MAIN | | S Q 0653 | 87-A30-076-040 | C-TR, 2SC3052F | a | b |
| MAIN | | S Q 0835 | 87-A30-521-080 | C-TR, 2SC5345SF/S(O) | a | b |
| MAIN | | S Q 0836 | 87-A30-677-040 | C-TR, SRA2207S | a | b |
| MAIN | | S Q 0861 | 87-A30-076-040 | C-TR, 2SC3052F | a | b |
| MAIN | | S Q 0863 | 87-A30-076-040 | C-TR, 2SC3052F | a | b |
| MAIN | | S Q 0901 | 89-503-602-080 | C-FET, 2SK360E | a | b |
| MAIN | | S Q 0902 | 87-A30-664-080 | C-TR, 2SC2620B | a | b |
| MAIN | | S Q 0903 | 87-A30-664-080 | C-TR, 2SC2620B | a | b |
| MAIN | | S Q 0904 | 87-A30-699-040 | C-TR, 2SC5477-T22 | a | b |
| MAIN | | S Q 0905 | 87-A30-664-080 | C-TR, 2SC2620B | a | b |
| MAIN | | S Q 0948 | 87-A30-675-040 | C-TR, 2SD1306NE07TL | a | b |
| MAIN | | S Q 0951 | 87-A30-484-040 | C-TR, KRA102S | a | b |
| MAIN | | S Q 0952 | 87-A30-675-040 | C-TR, 2SD1306NE07TL | a | b |
| MAIN | | S Q 0953 | 89-503-602-080 | C-FET, 2SK360E | a | b |
| MAIN | | S Q 0981 | 87-A30-494-080 | TR, 2SA1980G | a | b |
| | | | | | CX-SNTR99 EZSTC | CX-SNTR99 KSTC |
| MAIN | | S Q 0982 | 87-A30-076-040 | C-TR, 2SC3052F | a | b |
| MAIN | | S Q 0983 | 87-A30-076-040 | C-TR, 2SC3052F | a | b |
| MAIN | | X R 0001 | 88-100-000-010 | JUMPER WIRE, PLATING | a | b |
| MAIN | | X R 0005 | 88-100-000-010 | JUMPER WIRE, PLATING | a | b |
| MAIN | | X R 0007 | 88-118-473-080 | C-RES, S 47K-1/10W J | a | b |
| MAIN | | X R 0008 | 88-118-473-080 | C-RES, S 47K-1/10W J | a | b |
| MAIN | | O R 0009 | 88-108-223-080 | C-RES, U 22K-1/16W J | a | b |
| MAIN | | O R 0010 | 88-108-223-080 | C-RES, U 22K-1/16W J | a | b |
| MAIN | | X R 0011 | 88-118-472-080 | C-RES, S 4.7K-1/10W J | a | b |
| MAIN | | X R 0012 | 88-118-472-080 | C-RES, S 4.7K-1/10W J | a | b |
| MAIN | | X R 0013 | 88-108-472-080 | C-RES, U 4.7K-1/16W J | a | b |
| MAIN | | X R 0014 | 88-118-689-080 | C-RES, S 6.8-1/10W J | a | b |
| MAIN | | O R 0024 | 88-108-103-080 | C-RES, U 10K-1/16W J | a | b |
| MAIN | | X R 0026 | 88-118-472-080 | C-RES, S 4.7K-1/10W J | a | b |
| MAIN | | O R 0027 | 88-108-823-080 | C-RES, U 82K-1/16W J | a | b |
| MAIN | | O R 0029 | 88-108-473-080 | C-RES, U 47K-1/16W J | a | b |
| MAIN | | X R 0031 | 88-121-154-080 | RES, 150K-1/8W J | a | b |
| MAIN | | X R 0032 | 88-108-392-080 | C-RES, U 3.9K-1/16W J | a | b |
| MAIN | | X R 0033 | 88-108-392-080 | C-RES, U 3.9K-1/16W J | a | b |
| MAIN | | X R 0035 | 88-108-472-080 | C-RES, U 4.7K-1/16W J | a | b |

ELECTRICAL PARTS LIST - 15/21

! = SAFETY PARTS
 C = Components marked

All components used on this model at the production line are shown in this service manual.

However, please note that not all components will be available as spare parts for after-sales service.

Components marked S and O are designated as spare parts for service and will be stocked at the spare parts centers.

Components marked X and R are not designated as spare parts for after sales service, and will not be stocked at the spare parts centers.

| UNIT-NAME | ! C | REF-NO | PARTS-NO | PARTS-NAME | SUFFIX&MODEL | |
|-----------|-----|--------|----------------|-----------------------|--------------------|-------------------|
| | | | | | CX-SNTR99 EZSTC | CX-SNTR99 KSTC |
| MAIN | X R | 0043 | 88-100-000-010 | JUMPER WIRE, PLATING | a | b |
| MAIN | X R | 0044 | 88-130-181-080 | RES, 180-1/4W J | a | b |
| MAIN | X R | 0045 | 88-130-221-080 | RES, 220-1/4W J | a | b |
| MAIN | X R | 0046 | 88-130-221-080 | RES, 220-1/4W J | a | b |
| MAIN | X R | 0047 | 88-130-221-080 | RES, 220-1/4W J | a | b |
| MAIN | X R | 0048 | 88-130-221-080 | RES, 220-1/4W J | a | b |
| MAIN | X R | 0049 | 88-130-221-080 | RES, 220-1/4W J | a | b |
| MAIN | X R | 0050 | 88-121-183-080 | RES, 18K-1/8W J | a | b |
| MAIN | O R | 0051 | 88-108-102-080 | C-RES, U 1K-1/16W J | a | b |
| MAIN | O R | 0052 | 88-108-102-080 | C-RES, U 1K-1/16W J | a | b |
| MAIN | O R | 0053 | 88-108-563-080 | C-RES, U 56K-1/16W J | a | b |
| MAIN | X R | 0054 | 88-118-562-080 | C-RES, S 5.6K-1/10W J | a | b |
| MAIN | X R | 0056 | 88-118-680-080 | C-RES, S 68-1/10W J | a | b |
| MAIN | X R | 0057 | 88-108-472-080 | C-RES, U 4.7K-1/16W J | a | b |
| MAIN | O R | 0058 | 88-108-103-080 | C-RES, U 10K-1/16W J | a | b |
| MAIN | X R | 0059 | 88-108-221-080 | C-RES, U 220-1/16W J | a | b |
| MAIN | X R | 0060 | 88-108-471-080 | C-RES, U 470-1/16W J | a | b |
| MAIN | O R | 0061 | 88-108-123-080 | C-RES, U 12K-1/16W J | a | b |
| MAIN | O R | 0062 | 88-108-223-080 | C-RES, U 22K-1/16W J | a | b |
| MAIN | O R | 0063 | 88-108-223-080 | C-RES, U 22K-1/16W J | a | b |
| MAIN | X R | 0064 | 88-108-682-080 | C-RES, U 6.8K-1/16W J | a | b |
| MAIN | O R | 0065 | 88-108-123-080 | C-RES, U 12K-1/16W J | a | b |
| MAIN | X R | 0066 | 88-108-104-080 | C-RES, U 100K-1/16W J | a | b |
| MAIN | O R | 0067 | 88-108-103-080 | C-RES, U 10K-1/16W J | a | b |
| MAIN | O R | 0068 | 88-108-103-080 | C-RES, U 10K-1/16W J | a | b |
| MAIN | O R | 0069 | 88-108-101-080 | C-RES, U 100-1/16W J | a | b |
| MAIN | X R | 0070 | 88-108-000-080 | C-JUMPER, U | a | b |
| MAIN | X R | 0071 | 88-130-123-080 | RES, 12K-1/4W J | a | b |
| MAIN | X R | 0074 | 88-130-123-080 | RES, 12K-1/4W J | a | b |
| MAIN | X R | 0075 | 88-130-123-080 | RES, 12K-1/4W J | a | b |
| MAIN | O R | 0076 | 88-108-102-080 | C-RES, U 1K-1/16W J | a | b |
| MAIN | O R | 0077 | 88-108-102-080 | C-RES, U 1K-1/16W J | a | b |
| MAIN | X R | 0082 | 88-130-392-080 | RES, 3.9K-1/4W J | a | b |
| MAIN | X R | 0083 | 88-130-392-080 | RES, 3.9K-1/4W J | a | b |
| MAIN | X R | 0084 | 88-121-823-080 | RES, 82K-1/8W J | a | b |
| MAIN | X R | 0085 | 88-118-393-080 | C-RES, S 39K-1/10W J | a | b |
| MAIN | O R | 0086 | 88-108-153-080 | C-RES, U 15K-1/16W J | a | b |
| MAIN | X R | 0087 | 88-121-823-080 | RES, 82K-1/8W J | a | b |
| MAIN | X R | 0088 | 88-118-393-080 | C-RES, S 39K-1/10W J | a | b |
| MAIN | O R | 0089 | 88-108-153-080 | C-RES, U 15K-1/16W J | a | b |
| MAIN | X R | 0201 | 88-130-100-080 | RES, 10-1/4W J | a | b |
| MAIN | X R | 0202 | 88-130-100-080 | RES, 10-1/4W J | a | b |
| MAIN | X R | 0203 | 88-128-100-080 | C-RES, 10-1/8W J | a | b |
| MAIN | X R | 0204 | 88-128-100-080 | C-RES, 10-1/8W J | a | b |
| MAIN | X R | 0224 | 88-121-153-080 | RES, 15K-1/8W J | a | b |
| MAIN | X R | 0225 | 88-121-472-080 | RES, 4.7K-1/8W J | a | b |
| MAIN | X R | 0227 | 88-100-000-010 | PLATING-JW, 0.58 SN95 | a | b |
| MAIN | X R | 0228 | 88-108-000-080 | C-JUMPER, U | a | b |
| MAIN | X R | 0231 | 88-118-682-080 | C-RES, S 6.8K-1/10W J | a | b |
| MAIN | X R | 0232 | 88-118-682-080 | C-RES, S 6.8K-1/10W J | a | b |
| MAIN | X R | 0247 | 88-130-100-080 | RES, 10-1/4W J | a | b |
| MAIN | X R | 0248 | 88-130-100-080 | RES, 10-1/4W J | a | b |
| MAIN | X R | 0249 | 88-128-100-080 | C-RES, 10-1/8W J | a | b |
| MAIN | X R | 0250 | 88-128-100-080 | C-RES, 10-1/8W J | a | b |
| MAIN | X R | 0401 | 88-108-393-080 | C-RES, U 39K-1/16W J | a | b |
| MAIN | X R | 0402 | 88-108-393-080 | C-RES, U 39K-1/16W J | a | b |
| MAIN | O R | 0403 | 88-108-823-080 | C-RES, U 82K-1/16W J | a | b |
| MAIN | O R | 0404 | 88-108-823-080 | C-RES, U 82K-1/16W J | a | b |
| MAIN | O R | 0405 | 88-108-224-080 | C-RES, U 220K-1/16W J | a | b |
| MAIN | X R | 0451 | 88-121-222-080 | RES, 2.2K-1/8W J | a | b |
| MAIN | X R | 0453 | 88-118-472-080 | C-RES, S 4.7K-1/10W J | a | b |
| MAIN | X R | 0454 | 88-130-829-080 | RES, 8.2-1/4W J | a | b |
| MAIN | X R | 0455 | 88-108-183-080 | C-RES, U 18K-1/16W J | a | b |
| MAIN | X R | 0456 | 88-108-183-080 | C-RES, U 18K-1/16W J | a | b |
| MAIN | X R | 0457 | 88-108-104-080 | C-RES, U 100K-1/16W J | a | b |
| MAIN | O R | 0458 | 88-108-563-080 | C-RES, U 56K-1/16W J | a | b |
| MAIN | X R | 0459 | 88-118-472-080 | C-RES, S 4.7K-1/10W J | a | b |
| MAIN | X R | 0461 | 88-108-472-080 | C-RES, U 4.7K-1/16W J | a | b |
| MAIN | X R | 0462 | 88-108-471-080 | C-RES, U 470-1/16W J | a | b |
| MAIN | O R | 0463 | 88-108-102-080 | C-RES, U 1K-1/16W J | a | b |
| MAIN | O R | 0464 | 88-108-102-080 | C-RES, U 1K-1/16W J | a | b |
| MAIN | X R | 0467 | 88-121-472-080 | RES, 4.7K-1/8W J | a | b |
| MAIN | O R | 0468 | 88-108-272-080 | C-RES, U 2.7K-1/16W J | a | b |
| MAIN | X R | 0501 | 88-121-473-080 | RES, 47K-1/8W J | a | b |
| MAIN | X R | 0502 | 88-108-474-080 | C-RES, U 470K-1/16W J | a | b |
| MAIN | O R | 0503 | 88-108-332-080 | C-RES, U 3.3K-1/16W J | a | b |
| MAIN | X R | 0504 | 88-108-221-080 | C-RES, U 220-1/16W J | a | b |
| MAIN | O R | 0505 | 88-108-103-080 | C-RES, U 10K-1/16W J | a | b |
| MAIN | O R | 0506 | 88-108-103-080 | C-RES, U 10K-1/16W J | a | b |
| MAIN | X R | 0507 | 88-118-399-080 | C-RES, S 3.9-1/10W J | a | b |

ELECTRICAL PARTS LIST - 16/21

! = Δ SAFETY PARTS
 C = Components marked

All components used on this model at the production line are shown in this service manual.
 However, please note that not all components will be available as spare parts for after-sales service.
 Components marked S and O are designated as spare parts for service and will be stocked at the spare parts centers.
 Components marked X and R are not designated as spare parts for after sales service, and will not be stocked at the spare parts centers.

| UNIT-NAME | ! C | REF-NO | PARTS-NO | PARTS-NAME | SUFFIX&MODEL | |
|-----------|-----|--------|----------------|----------------------|--------------------|-------------------|
| | | | | | CX-SNTR99 EZSTC | CX-SNTR99 KSTC |
| MAIN | X R | 0511 | 88-108-472-080 | C-RES,U 4.7K-1/16W J | a | b |
| MAIN | X R | 0512 | 88-108-472-080 | C-RES,U 4.7K-1/16W J | a | b |
| MAIN | O R | 0551 | 88-108-103-080 | C-RES,U 10K-1/16W J | a | b |
| MAIN | X R | 0552 | 88-121-103-080 | RES,10K-1/8W J | a | b |
| MAIN | O R | 0553 | 88-108-103-080 | C-RES,U 10K-1/16W J | a | b |
| MAIN | O R | 0554 | 88-108-103-080 | C-RES,U 10K-1/16W J | a | b |
| MAIN | O R | 0555 | 88-108-153-080 | C-RES,U 15K-1/16W J | a | b |
| MAIN | O R | 0556 | 88-108-153-080 | C-RES,U 15K-1/16W J | a | b |
| MAIN | X R | 0557 | 88-121-823-080 | RES,82K-1/8W J | a | b |
| MAIN | X R | 0558 | 88-121-823-080 | RES,82K-1/8W J | a | b |
| MAIN | X R | 0569 | 88-121-223-080 | RES,22K-1/8W J | a | b |
| MAIN | X R | 0570 | 88-121-223-080 | RES,22K-1/8W J | a | b |
| MAIN | X R | 0571 | 88-108-394-080 | C-RES,U 390K-1/16W J | a | b |
| MAIN | X R | 0572 | 88-108-394-080 | C-RES,U 390K-1/16W J | a | b |
| MAIN | X R | 0573 | 88-108-331-080 | C-RES,U 330-1/16W J | a | b |
| MAIN | X R | 0574 | 88-108-331-080 | C-RES,U 330-1/16W J | a | b |
| MAIN | O R | 0575 | 88-108-223-080 | C-RES,U 22K-1/16W J | a | b |
| MAIN | O R | 0576 | 88-108-223-080 | C-RES,U 22K-1/16W J | a | b |
| MAIN | X R | 0579 | 88-121-154-080 | RES,150K-1/8W J | a | b |
| MAIN | X R | 0580 | 88-121-154-080 | RES,150K-1/8W J | a | b |
| MAIN | X R | 0594 | 88-130-181-080 | RES,180-1/4W J | a | b |
| MAIN | X R | 0595 | 88-121-101-080 | RES,100-1/8W J | a | b |
| MAIN | X R | 0601 | 88-108-680-080 | C-RES,U 68-1/16W J | a | b |
| MAIN | X R | 0602 | 88-108-680-080 | C-RES,U 68-1/16W J | a | b |
| MAIN | X R | 0603 | 88-108-394-080 | C-RES,U 390K-1/16W J | a | b |
| MAIN | X R | 0604 | 88-108-394-080 | C-RES,U 390K-1/16W J | a | b |
| MAIN | X R | 0605 | 88-108-122-080 | C-RES,U 1.2K-1/16W J | a | b |
| MAIN | X R | 0606 | 88-108-122-080 | C-RES,U 1.2K-1/16W J | a | b |
| MAIN | X R | 0607 | 88-108-183-080 | C-RES,U 18K-1/16W J | a | b |
| MAIN | X R | 0608 | 88-108-183-080 | C-RES,U 18K-1/16W J | a | b |
| MAIN | X R | 0611 | 88-108-682-080 | C-RES,U 6.8K-1/16W J | a | b |
| MAIN | X R | 0612 | 88-108-682-080 | C-RES,U 6.8K-1/16W J | a | b |
| MAIN | X R | 0613 | 88-108-682-080 | C-RES,U 6.8K-1/16W J | a | b |
| MAIN | X R | 0614 | 88-108-682-080 | C-RES,U 6.8K-1/16W J | a | b |
| MAIN | X R | 0615 | 88-108-273-080 | C-RES,U 27K-1/16W J | a | b |
| MAIN | X R | 0616 | 88-108-273-080 | C-RES,U 27K-1/16W J | a | b |
| MAIN | X R | 0617 | 88-121-822-080 | RES,8.2K-1/8W J | a | b |
| MAIN | X R | 0618 | 88-121-822-080 | RES,8.2K-1/8W J | a | b |
| MAIN | O R | 0619 | 88-108-153-080 | C-RES,U 15K-1/16W J | a | b |
| MAIN | O R | 0620 | 88-108-153-080 | C-RES,U 15K-1/16W J | a | b |
| MAIN | O R | 0621 | 88-108-332-080 | C-RES,U 3.3K-1/16W J | a | b |
| MAIN | O R | 0622 | 88-108-332-080 | C-RES,U 3.3K-1/16W J | a | b |
| MAIN | X R | 0623 | 88-108-682-080 | C-RES,U 6.8K-1/16W J | a | b |
| MAIN | X R | 0624 | 88-108-682-080 | C-RES,U 6.8K-1/16W J | a | b |
| MAIN | O R | 0625 | 88-108-332-080 | C-RES,U 3.3K-1/16W J | a | b |
| MAIN | O R | 0626 | 88-108-332-080 | C-RES,U 3.3K-1/16W J | a | b |
| MAIN | X R | 0627 | 88-108-222-080 | C-RES,U 2.2K-1/16W J | a | b |
| MAIN | X R | 0628 | 88-108-222-080 | C-RES,U 2.2K-1/16W J | a | b |
| MAIN | O R | 0629 | 88-108-103-080 | C-RES,U 10K-1/16W J | a | b |
| MAIN | O R | 0630 | 88-108-103-080 | C-RES,U 10K-1/16W J | a | b |
| MAIN | X R | 0631 | 88-108-222-080 | C-RES,U 2.2K-1/16W J | a | b |
| MAIN | X R | 0632 | 88-108-222-080 | C-RES,U 2.2K-1/16W J | a | b |
| MAIN | O R | 0633 | 88-108-272-080 | C-RES,U 2.7K-1/16W J | a | b |
| MAIN | O R | 0634 | 88-108-272-080 | C-RES,U 2.7K-1/16W J | a | b |
| MAIN | O R | 0635 | 88-108-102-080 | C-RES,U 1K-1/16W J | a | b |
| MAIN | O R | 0636 | 88-108-102-080 | C-RES,U 1K-1/16W J | a | b |
| MAIN | X R | 0637 | 88-108-331-080 | C-RES,U 330-1/16W J | a | b |
| MAIN | X R | 0638 | 88-108-331-080 | C-RES,U 330-1/16W J | a | b |
| MAIN | X R | 0639 | 88-108-183-080 | C-RES,U 18K-1/16W J | a | b |
| MAIN | X R | 0640 | 88-108-183-080 | C-RES,U 18K-1/16W J | a | b |
| MAIN | X R | 0641 | 88-121-223-080 | RES,22K-1/8W J | a | b |
| MAIN | X R | 0642 | 88-108-222-080 | C-RES,U 2.2K-1/16W J | a | b |
| MAIN | X R | 0643 | 88-108-104-080 | C-RES,U 100K-1/16W J | a | b |
| MAIN | X R | 0644 | 88-108-104-080 | C-RES,U 100K-1/16W J | a | b |
| MAIN | X R | 0647 | 88-108-124-080 | C-RES,U 120K-1/16W J | a | b |
| MAIN | X R | 0648 | 88-108-124-080 | C-RES,U 120K-1/16W J | a | b |
| MAIN | O R | 0649 | 88-108-332-080 | C-RES,U 3.3K-1/16W J | a | b |
| MAIN | O R | 0650 | 88-108-332-080 | C-RES,U 3.3K-1/16W J | a | b |
| MAIN | O R | 0651 | 88-108-101-080 | C-RES,U 100-1/16W J | a | b |
| MAIN | O R | 0652 | 88-108-101-080 | C-RES,U 100-1/16W J | a | b |
| MAIN | X R | 0656 | 88-108-474-080 | C-RES,U 470K-1/16W J | a | b |
| MAIN | X R | 0657 | 88-108-684-080 | C-RES,U 680K-1/16W J | a | b |
| MAIN | X R | 0658 | 88-108-684-080 | C-RES,U 680K-1/16W J | a | b |
| MAIN | X R | 0659 | 88-108-394-080 | C-RES,U 390K-1/16W J | a | b |
| MAIN | X R | 0660 | 88-108-274-080 | C-RES,U 270K-1/16W J | a | b |
| MAIN | O R | 0661 | 88-108-332-080 | C-RES,U 3.3K-1/16W J | a | b |
| MAIN | O R | 0662 | 88-108-332-080 | C-RES,U 3.3K-1/16W J | a | b |
| MAIN | X R | 0663 | 88-108-392-080 | C-RES,U 3.9K-1/16W J | a | b |
| MAIN | X R | 0664 | 88-108-392-080 | C-RES,U 3.9K-1/16W J | a | b |
| MAIN | X R | 0669 | 88-108-273-080 | C-RES,U 27K-1/16W J | a | b |

ELECTRICAL PARTS LIST - 17/21

! = SAFETY PARTS
 C = Components marked

All components used on this model at the production line are shown in this service manual.

However, please note that not all components will be available as spare parts for after-sales service.

Components marked S and O are designated as spare parts for service and will be stocked at the spare parts centers.

Components marked X and R are not designated as spare parts for after sales service, and will not be stocked at the spare parts centers.

| UNIT-NAME | ! C | REF-NO | PARTS-NO | PARTS-NAME | SUFFIX&MODEL | |
|-----------|-----|--------|----------------|-------------------------|--------------------|-------------------|
| | | | | | CX-SNTR99 EZSTC | CX-SNTR99 KSTC |
| MAIN | X R | 0670 | 88-108-273-080 | C-RES,U 27K-1/16W J | a | b |
| MAIN | O R | 0672 | 88-108-103-080 | C-RES,U 10K-1/16W J | a | b |
| MAIN | X R | 0673 | 88-108-182-080 | C-RES,U 1.8K-1/16W J | a | b |
| MAIN | X R | 0676 | 88-108-124-080 | C-RES,U 120K-1/16W J | a | b |
| MAIN | O R | 0677 | 88-108-223-080 | C-RES,U 22K-1/16W J | a | b |
| MAIN | O R | 0678 | 88-108-223-080 | C-RES,U 22K-1/16W J | a | b |
| MAIN | O R | 0681 | 88-108-473-080 | C-RES,U 47K-1/16W J | a | b |
| MAIN | O R | 0682 | 88-108-473-080 | C-RES,U 47K-1/16W J | a | b |
| MAIN | O R | 0683 | 88-108-223-080 | C-RES,U 22K-1/16W J | a | b |
| MAIN | O R | 0684 | 88-108-223-080 | C-RES,U 22K-1/16W J | a | b |
| MAIN | X R | 0685 | 88-108-683-080 | C-RES,U 68K-1/16W J | a | b |
| MAIN | O R | 0686 | 88-108-223-080 | C-RES,U 22K-1/16W J | a | b |
| MAIN | X R | 0687 | 88-121-223-080 | RES,22K-1/8W J | a | b |
| MAIN | O R | 0688 | 88-108-223-080 | C-RES,U 22K-1/16W J | a | b |
| MAIN | O R | 0689 | 88-108-223-080 | C-RES,U 22K-1/16W J | a | b |
| MAIN | X R | 0691 | 88-108-105-080 | C-RES,U 1M-1/16W J | a | b |
| MAIN | X R | 0692 | 88-108-105-080 | C-RES,U 1M-1/16W J | a | b |
| MAIN | X R | 0693 | 88-121-472-080 | RES,4.7K-1/8W J | a | b |
| MAIN | X R | 0694 | 88-108-472-080 | C-RES,U 4.7K-1/16W J | a | b |
| MAIN | X R | 0696 | 88-108-000-080 | C-JUMPER,U | a | b |
| | | | | | CX-SNTR99 EZSTC | CX-SNTR99 KSTC |
| MAIN | X R | 0789 | 88-108-333-080 | C-RES,U 33K-1/16W J | a | b |
| MAIN | O R | 0790 | 87-012-286-080 | C-CAP,U 0.01-25 K B GRM | a | b |
| MAIN | O R | 0791 | 88-108-102-080 | C-RES,U 1K-1/16W J | a | b |
| MAIN | X R | 0793 | 88-108-221-080 | C-RES,U 220-1/16W J | a | b |
| MAIN | X R | 0795 | 88-108-000-080 | C-JUMPER,U | a | b |
| MAIN | O R | 0801 | 88-108-103-080 | C-RES,U 10K-1/16W J | a | b |
| MAIN | O R | 0802 | 88-108-223-080 | C-RES,U 22K-1/16W J | a | b |
| MAIN | X R | 0803 | 88-128-183-080 | C-RES, 18K-1/8W J | a | b |
| MAIN | X R | 0804 | 88-108-000-080 | C-JUMPER,U | a | b |
| MAIN | O R | 0805 | 88-108-332-080 | C-RES,U 3.3K-1/16W J | a | b |
| MAIN | X R | 0806 | 88-108-682-080 | C-RES,U 6.8K-1/16W J | a | b |
| MAIN | O R | 0809 | 88-108-102-080 | C-RES,U 1K-1/16W J | a | b |
| MAIN | O R | 0810 | 88-108-102-080 | C-RES,U 1K-1/16W J | a | b |
| MAIN | X R | 0811 | 88-108-000-080 | C-JUMPER,U | a | b |
| MAIN | X R | 0812 | 88-108-000-080 | C-JUMPER,U | a | b |
| MAIN | O R | 0813 | 88-108-224-080 | C-RES,U 220K-1/16W J | a | b |
| MAIN | X R | 0814 | 88-108-222-080 | C-RES,U 2.2K-1/16W J | a | b |
| MAIN | X R | 0815 | 88-121-682-080 | RES,6.8K-1/8W J | a | b |
| MAIN | O R | 0818 | 88-108-103-080 | C-RES,U 10K-1/16W J | a | b |
| MAIN | X R | 0821 | 88-108-000-080 | C-JUMPER,U | a | b |
| | | | | | CX-SNTR99 EZSTC | CX-SNTR99 KSTC |
| MAIN | O R | 0823 | 88-108-473-080 | C-RES,U 47K-1/16W J | a | b |
| MAIN | O R | 0826 | 88-108-223-080 | C-RES,U 22K-1/16W J | a | b |
| MAIN | X R | 0832 | 88-108-391-080 | C-RES,U 390-1/16W J | a | b |
| MAIN | X R | 0840 | 88-108-331-080 | C-RES,U 330-1/16W J | a | b |
| MAIN | O R | 0850 | 88-108-103-080 | C-RES,U 10K-1/16W J | a | b |
| MAIN | X R | 0851 | 88-118-470-080 | C-RES,S 47-1/10W J | a | b |
| MAIN | O R | 0853 | 88-108-102-080 | C-RES,U 1K-1/16W J | a | b |
| MAIN | X R | 0854 | 88-108-391-080 | C-RES,U 390-1/16W J | a | b |
| MAIN | X R | 0855 | 88-108-183-080 | C-RES,U 18K-1/16W J | a | b |
| MAIN | O R | 0856 | 88-108-103-080 | C-RES,U 10K-1/16W J | a | b |
| MAIN | X R | 0857 | 88-108-181-080 | C-RES,U 180-1/16W J | a | b |
| MAIN | X R | 0858 | 88-108-271-080 | C-RES,U 270-1/16W J | a | b |
| MAIN | O R | 0860 | 88-108-101-080 | C-RES,U 100-1/16W J | a | b |
| MAIN | X R | 0861 | 88-108-471-080 | C-RES,U 470-1/16W J | a | b |
| MAIN | O R | 0862 | 88-108-272-080 | C-RES,U 2.7K-1/16W J | a | b |
| MAIN | X R | 0863 | 88-108-104-080 | C-RES,U 100K-1/16W J | a | b |
| MAIN | O R | 0864 | 88-108-123-080 | C-RES,U 12K-1/16W J | a | b |
| MAIN | X R | 0865 | 88-108-471-080 | C-RES,U 470-1/16W J | a | b |
| MAIN | X R | 0867 | 88-108-104-080 | C-RES,U 100K-1/16W J | a | b |
| MAIN | X R | 0870 | 88-121-102-080 | RES,1K-1/8W J | a | b |
| | | | | | CX-SNTR99 EZSTC | CX-SNTR99 KSTC |
| MAIN | X R | 0871 | 88-121-102-080 | RES,1K-1/8W J | a | b |
| MAIN | X R | 0901 | 88-108-104-080 | C-RES,U 100K-1/16W J | a | b |
| MAIN | X R | 0902 | 88-108-104-080 | C-RES,U 100K-1/16W J | a | b |
| MAIN | X R | 0903 | 88-108-330-080 | C-RES,U 33-1/16W J | a | b |
| MAIN | O R | 0904 | 88-108-103-080 | C-RES,U 10K-1/16W J | a | b |
| MAIN | O R | 0905 | 88-108-102-080 | C-RES,U 1K-1/16W J | a | b |
| MAIN | X R | 0906 | 88-108-564-080 | C-RES,U 560K-1/16W J | a | b |
| MAIN | X R | 0908 | 88-108-271-080 | C-RES,U 270-1/16W J | a | b |
| MAIN | X R | 0909 | 88-108-181-080 | C-RES,U 180-1/16W J | a | b |
| MAIN | X R | 0910 | 88-108-334-080 | C-RES,U 330K-1/16W J | a | b |
| MAIN | X R | 0911 | 88-108-181-080 | C-RES,U 180-1/16W J | a | b |
| MAIN | X R | 0912 | 88-108-104-080 | C-RES,U 100K-1/16W J | a | b |
| MAIN | X R | 0913 | 88-108-152-080 | C-RES,U 1.5K-1/16W J | a | b |
| MAIN | X R | 0914 | 88-108-472-080 | C-RES,U 4.7K-1/16W J | a | b |
| MAIN | X R | 0915 | 88-108-104-080 | C-RES,U 100K-1/16W J | a | b |
| MAIN | X R | 0916 | 88-108-470-080 | C-RES,U 47-1/16W J | a | b |
| MAIN | O R | 0926 | 88-108-101-080 | C-RES,U 100-1/16W J | a | b |
| MAIN | O R | 0944 | 88-108-101-080 | C-RES,U 100-1/16W J | a | b |
| MAIN | X R | 0945 | 88-108-104-080 | C-RES,U 100K-1/16W J | a | b |
| MAIN | X R | 0947 | 88-108-183-080 | C-RES,U 18K-1/16W J | a | b |

ELECTRICAL PARTS LIST - 18/21

! = SAFETY PARTS
C = Components marked

All components used on this model at the production line are shown in this service manual.

However, please note that not all components will be available as spare parts for after-sales service.

Components marked S and O are designated as spare parts for service and will be stocked at the spare parts centers.

Components marked X and R are not designated as spare parts for after sales service, and will not be stocked at the spare parts centers.

| UNIT-NAME | ! C | REF-NO | PARTS-NO | PARTS-NAME | SUFFIX&MODEL | |
|-----------|-----|---------|----------------|--------------------------------|--------------------|-------------------|
| | | | | | CX-SNTR99 EZSTC | CX-SNTR99 KSTC |
| MAIN | X R | 0948 | 88-108-472-080 | C-RES,U 4.7K-1/16W J | a | b |
| MAIN | O R | 0952 | 88-108-562-080 | C-RES,U 5.6K-1/16W J | a | b |
| MAIN | X R | 0954 | 88-108-222-080 | C-RES,U 2.2K-1/16W J | a | b |
| MAIN | X R | 0956 | 88-108-471-080 | C-RES,U 470-1/16W J | a | b |
| MAIN | X R | 0958 | 88-108-472-080 | C-RES,U 4.7K-1/16W J | a | b |
| MAIN | O R | 0959 | 88-108-103-080 | C-RES,U 10K-1/16W J | a | b |
| MAIN | X R | 0962 | 88-121-102-080 | RES,1K-1/8W J | a | b |
| MAIN | X R | 0964 | 88-108-330-080 | C-RES,U 33-1/16W J | a | b |
| MAIN | O R | 0968 | 88-108-822-080 | C-RES,U 8.2K-1/16W J | a | b |
| MAIN | O R | 0969 | 88-108-102-080 | C-RES,U 1K-1/16W J | a | b |
| MAIN | O R | 0973 | 88-108-102-080 | C-RES,U 1K-1/16W J | a | b |
| MAIN | O R | 0975 | 88-108-562-080 | C-RES,U 5.6K-1/16W J | a | b |
| MAIN | O R | 0976 | 88-108-102-080 | C-RES,U 1K-1/16W J | a | b |
| MAIN | O R | 0977 | 88-108-102-080 | C-RES,U 1K-1/16W J | a | b |
| MAIN | X R | 0978 | 88-108-681-080 | C-RES,U 680-1/16W J | a | b |
| MAIN | O R | 0979 | 88-108-123-080 | C-RES,U 12K-1/16W J | a | b |
| MAIN | X R | 0980 | 88-108-684-080 | C-RES,U 680K-1/16W J | a | b |
| MAIN | X R | 0981 | 88-121-471-080 | RES,470-1/8W J | a | b |
| MAIN | X R | 0982 | 88-108-682-080 | C-RES,U 6.8K-1/16W J | a | b |
| MAIN | X R | 0983 | 88-108-392-080 | C-RES,U 3.9K-1/16W J | a | b |
| MAIN | O R | 0984 | 88-108-102-080 | C-RES,U 1K-1/16W J | a | b |
| MAIN | X R | 0985 | 88-121-471-080 | RES,470-1/8W J | a | b |
| MAIN | X R | 0986 | 88-121-221-080 | RES,220-1/8W J | a | b |
| MAIN | X R | 0987 | 88-121-472-080 | RES,4.7K-1/8W J | a | b |
| MAIN | O R | 0988 | 88-108-103-080 | C-RES,U 10K-1/16W J | a | b |
| MAIN | X R | 0989 | 88-121-102-080 | RES,1K-1/8W J | a | b |
| MAIN | O R | 0990 | 88-108-563-080 | C-RES,U 56K-1/16W J | a | b |
| MAIN | O R | 0991 | 87-012-195-080 | C-CAP,U 100P-50 J CH GRM | a | b |
| MAIN | O R | 0992 | 88-108-103-080 | C-RES,U 10K-1/16W J | a | b |
| MAIN | O R | 0993 | 87-012-195-080 | C-CAP,U 100P-50 J CH GRM | a | b |
| MAIN | O R | 0994 | 88-108-103-080 | C-RES,U 10K-1/16W J | a | b |
| MAIN | O R | 0995 | 87-012-195-080 | C-CAP,U 100P-50 J CH GRM | a | b |
| MAIN | O R | 0996 | 88-108-103-080 | C-RES,U 10K-1/16W J | a | b |
| MAIN | X R | 0997 | 88-108-154-080 | C-RES,U 150K-1/16W J | a | b |
| MAIN | O R | 0998 | 88-108-102-080 | C-RES,U 1K-1/16W J | a | b |
| MAIN | O R | 0999 | 88-108-103-080 | C-RES,U 10K-1/16W J | a | b |
| MAIN | O | SFR0451 | 87-A90-432-080 | SFR,30K H NVZ6TLTA | a | b |
| MAIN | O | SFR0452 | 87-A90-432-080 | SFR,30K H NVZ6TLTA | a | b |
| MAIN | X | SH0301 | 8C-NF5-221-010 | PLATE,SHLD DECK M | a | b |
| MAIN | X | SH0831 | 87-A90-023-010 | SHLD-PLATE,ANT | a | b |
| MAIN | X | SH0901 | 8C-NF9-619-010 | SHLD-CASE,CNF-9 EZ P | a | b |
| MAIN | O | TB0201 | 87-A61-899-010 | TERMINAL,SPMSP-328V 8P V0 | a | b |
| MAIN | O | TC0942 | 87-A91-774-080 | TRIMMER,PLY 30P 6.8X5.4 CDYL | a | b |
| MAIN | O | VR0521 | 86-NFA-607-010 | VR,RTRY 10K15AX1 1 V XV0121PVN | a | b |
| MAIN | X | W 0521 | 8B-CLX-625-010 | WIRE,FASTON ASSY KEY-2 | a | b |
| MAIN | O | WH0001 | 87-A91-179-010 | HLDR,WIRE 2.5-11P | a | b |
| MAIN | O | WH0201 | 87-A90-460-010 | HLDR,WIRE 2.5-7P | a | b |
| MAIN | O | X 0862 | 87-A70-307-010 | VIB,XTAL 4.332MHZ CSA-309ST | a | b |
| MAIN | O | X 0992 | 87-A70-306-010 | VIB,XTAL 4.500MHZ CSA-309ST | a | b |
| MIC | O | C 0521 | 87-012-282-080 | C-CAP,U 4700P-50 K B GRM | a | b |
| MIC | O | C 0522 | 87-010-112-080 | CAP,E 100-16 M 11L SME | a | b |
| MIC | O | C 0523 | 87-010-545-080 | CAP,E 0.22-50 M 11L SME | a | b |
| MIC | O | C 0524 | 87-012-191-080 | C-CAP,U 68P-50 J CH GRM | a | b |
| MIC | O | C 0525 | 87-010-545-080 | CAP,E 0.22-50 M 11L SME | a | b |
| MIC | O | C 0526 | 87-015-692-080 | CAP,E 0.22-50 M 7L SRA | a | b |
| MIC | O | C 0527 | 87-010-405-080 | CAP,E 10-50 M 11L SME | a | b |
| MIC | O | C 0528 | 87-012-195-080 | C-CAP,U 100P-50 J CH GRM | a | b |
| MIC | O | C 0529 | 87-010-392-080 | CAP,E 33-35 M 11L SME | a | b |
| MIC | O | C 0533 | 87-010-177-080 | C-CAP,S 820P-50 J SL C2012 | a | b |
| MIC | O | C 0536 | 87-010-829-080 | C-CAP,U 0.047-16 Z F CM/CB | a | b |
| MIC | O | CN0522 | 87-099-212-010 | CONN,5P V BLK 6216 | a | b |
| MIC | O | FB0521 | 87-008-372-080 | FLTR,EMI BL01 RN1 | a | b |
| MIC | O | J 0521 | 87-A61-243-010 | JACK,6.3 BLK MONO W/SW V MSC | a | b |
| MIC | S | Q 0521 | 87-A30-076-040 | C-TR,2SC3052F | a | b |
| MIC | S | Q 0522 | 87-A30-075-040 | C-TR,2SA1235F | a | b |
| MIC | S | Q 0523 | 87-A30-076-040 | C-TR,2SC3052F | a | b |
| MIC | S | Q 0524 | 87-A30-075-040 | C-TR,2SA1235F | a | b |
| MIC | S | Q 0525 | 87-A30-087-080 | C-FET,2SK2158 | a | b |
| MIC | S | Q 0526 | 87-A30-076-040 | C-TR,2SC3052F | a | b |
| MIC | X R | 0521 | 88-108-472-080 | C-RES,U 4.7K-1/16W J | a | b |
| MIC | X R | 0522 | 88-108-104-080 | C-RES,U 100K-1/16W J | a | b |
| MIC | X R | 0523 | 88-118-101-080 | C-RES,S 100-1/10W J | a | b |
| MIC | X R | 0524 | 88-108-222-080 | C-RES,U 2.2K-1/16W J | a | b |
| MIC | O R | 0525 | 88-108-102-080 | C-RES,U 1K-1/16W J | a | b |
| MIC | X R | 0526 | 88-108-334-080 | C-RES,U 330K-1/16W J | a | b |
| MIC | O R | 0527 | 88-108-473-080 | C-RES,U 47K-1/16W J | a | b |
| MIC | O R | 0528 | 88-108-562-080 | C-RES,U 5.6K-1/16W J | a | b |
| MIC | O R | 0529 | 88-108-101-080 | C-RES,U 100-1/16W J | a | b |
| MIC | O R | 0530 | 88-108-223-080 | C-RES,U 22K-1/16W J | a | b |
| MIC | X R | 0531 | 88-108-561-080 | C-RES,U 560-1/16W J | a | b |

ELECTRICAL PARTS LIST - 19/21

! = Δ SAFETY PARTS
 C = Components marked

All components used on this model at the production line are shown in this service manual.
 However, please note that not all components will be available as spare parts for after-sales service.
 Components marked S and O are designated as spare parts for service and will be stocked at the spare parts centers.
 Components marked X and R are not designated as spare parts for after sales service, and will not be stocked at the spare parts centers.

| UNIT-NAME | ! C REF-NO | PARTS-NO | PARTS-NAME | SUFFIX&MODEL | |
|-----------|------------|----------------|-----------------------|-------------------------|------------------------|
| | | | | CX-SNTR99 EZSTC | CX-SNTR99 KSTC |
| MIC | X R 0532 | 88-108-274-080 | C-RES,U 270K-1/16W J | a | b |
| MIC | X R 0533 | 88-108-333-080 | C-RES,U 33K-1/16W J | a | b |
| MIC | O R 0534 | 88-108-102-080 | C-RES,U 1K-1/16W J | a | b |
| MIC | X R 0535 | 88-108-000-080 | C-JUMPER,U | a | b |
| MIC | O R 0536 | 88-108-224-080 | C-RES,U 220K-1/16W J | a | b |
| MIC | X R 0537 | 88-108-274-080 | C-RES,U 270K-1/16W J | a | b |
| MIC | X R 0538 | 88-108-184-080 | C-RES,U 180K-1/16W J | a | b |
| POWER | O C 0002 | 87-A11-132-080 | CAP,TC U 0.01-50 K B | a | b |
| POWER | O CN0001 | 87-A61-122-010 | CONN,11P V TID-A | a | b |
| POWER | S D 0082 | 87-020-465-080 | DIODE,1SS133 | a | b |
| POWER | S D 0083 | 87-020-465-080 | DIODE,1SS133 | a | b |
| POWER | S D 0084 | 87-020-465-080 | DIODE,1SS133 | a | b |
| POWER | S D 0085 | 87-020-465-080 | DIODE,1SS133 | a | b |
| POWER | X FB0001 | 88-100-000-010 | JUMPER WIRE,PLATING | a | b |
| POWER | X FB0002 | 88-100-000-010 | JUMPER WIRE,PLATING | a | b |
| POWER | !O PT0001 | 8C-NFR-642-010 | PT,EZ CNF-R | a | b |
| POWER | !O PT0003 | 8B-MA6-675-010 | PT,SUB BMA E (VRK) | a | b |
| POWER | !O RY0001 | 87-A91-418-010 | RELAY,AC 12V G5PA-1-M | a | b |
| POWER | O T 0001 | 87-A60-317-010 | TERMINAL, 1P MSC | a | b |
| POWER | O T 0002 | 87-A60-317-010 | TERMINAL, 1P MSC | a | b |
| POWER | !O W 0001 | 87-A80-157-210 | AC CORD ASSY,E BLK CC | CX-SNTR99 EZSTC a | CX-SNTR99 KSTC b |

ELECTRICAL PARTS LIST <2ZM-3MK2> 20/21

! = Δ SAFETY PARTS
 C = Components marked

All components used on this model at the production line are shown in this service manual.
 However, please note that not all components will be available as spare parts for after-sales service.
 Components marked S and O are designated as spare parts for service and will be stocked at the spare parts centers.
 Components marked X and R are not designated as spare parts for after sales service, and will not be stocked at the spare parts centers.

| UNIT-NAME | ! C | REF-NO | PARTS-NO | PARTS-NAME | SUFFIX&MODEL |
|-----------|-----|--------|----------------|-----------------------|--------------|
| | | | | | 2ZM-3MK2 |
| | | | | | YPR9NC |
| DECK | O | CON1 | 87-099-756-010 | CONN, 15P 9604S F | a |
| DECK | S | IC 1 | 87-020-454-010 | IC, DN6851 | a |
| DECK | S | IC 2 | 87-A21-269-010 | IC, EW732 | a |
| DECK | O | M 1 | 87-045-347-010 | MOT, SHU2L 70 | a |
| DECK | S | Q 1 | 87-026-463-080 | TR, 2SA933S (0.3W) | a |
| DECK | X | R 1 | 88-121-104-080 | RESISTOR, 100K 1/8W | a |
| DECK | X | R 2 | 88-121-392-080 | RES, 3.9K-1/8W J | a |
| DECK | X | R 3 | 88-121-822-080 | RES, 8.2K-1/8W J | a |
| DECK | O | SFR1 | 87-024-581-010 | SFR, 3.3K DIA6V K0A | a |
| DECK | O | SOL1 | 82-ZM3-627-010 | SOL ASSY 27 SO | a |
| DECK | O | SOL2 | 82-ZM3-627-010 | SOL ASSY 27 SO | a |
| DECK | O | SW 1 | 87-A90-248-010 | SW, MICRO ESE11SH2CXQ | a |
| DECK | O | SW 2 | 87-A90-248-010 | SW, MICRO ESE11SH2CXQ | a |
| DECK | O | SW 4 | 87-036-110-010 | PUSH SWITCH | a |
| DECK | O | SW 6 | 87-036-110-010 | PUSH SWITCH | a |
| DECK | O | SW 8 | 87-A90-248-010 | SW, MICRO ESE11SH2CXQ | a |
| DECK | O | SW 9 | 87-A90-248-010 | SW, MICRO ESE11SH2CXQ | a |

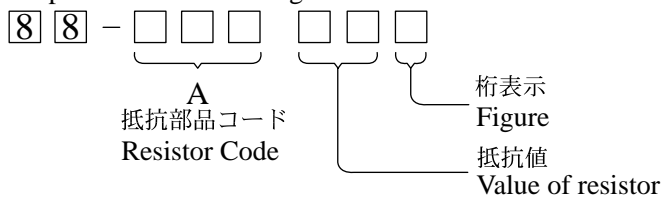
- Regarding connectors, they are not stocked as they are not the initial order items.

The connectors are available after they are supplied from connector manufacturers upon the order is received.

○チップ抵抗部品コード/CHIP RESISTOR PART CODE

チップ抵抗部品コードの成り立ち

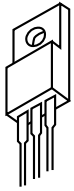
Chip Resistor Part Coding



チップ抵抗
Chip resistor

| 容量 Wattage | 種類 Type | 許容誤差 Tolerance | 記号 Symbol | 寸法/Dimensions (mm) | | | 抵抗コード : A Resistor Code : A | |
|---------------|------------|-------------------|--------------|--------------------|-----|------|--------------------------------|-----|
| | | | | 外形/Form | L | W | | t |
| 1/16W | 1005 | ± 5% | CJ | | 1.0 | 0.5 | 0.35 | 104 |
| 1/16W | 1608 | ± 5% | CJ | | 1.6 | 0.8 | 0.45 | 108 |
| 1/10W | 2125 | ± 5% | CJ | | 2 | 1.25 | 0.45 | 118 |
| 1/8W | 3216 | ± 5% | CJ | | 3.2 | 1.6 | 0.55 | 128 |

TRANSISTOR ILLUSTRATION -1/1



B C E

2SB1686
2SD2642
FN1016
FP1016



E C B

2SA1296GR
2SA933S



E C B

2SA1980G
2SA1981Y
2SC3331(T/U)



E C B

2SC5343GL



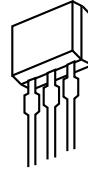
E C B

2N5551C



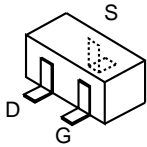
G D S

2SK3053
2SB1370E

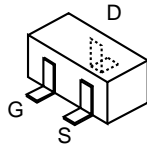


S D G

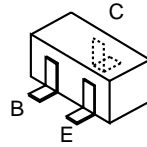
2SJ461-T1



2SK360E



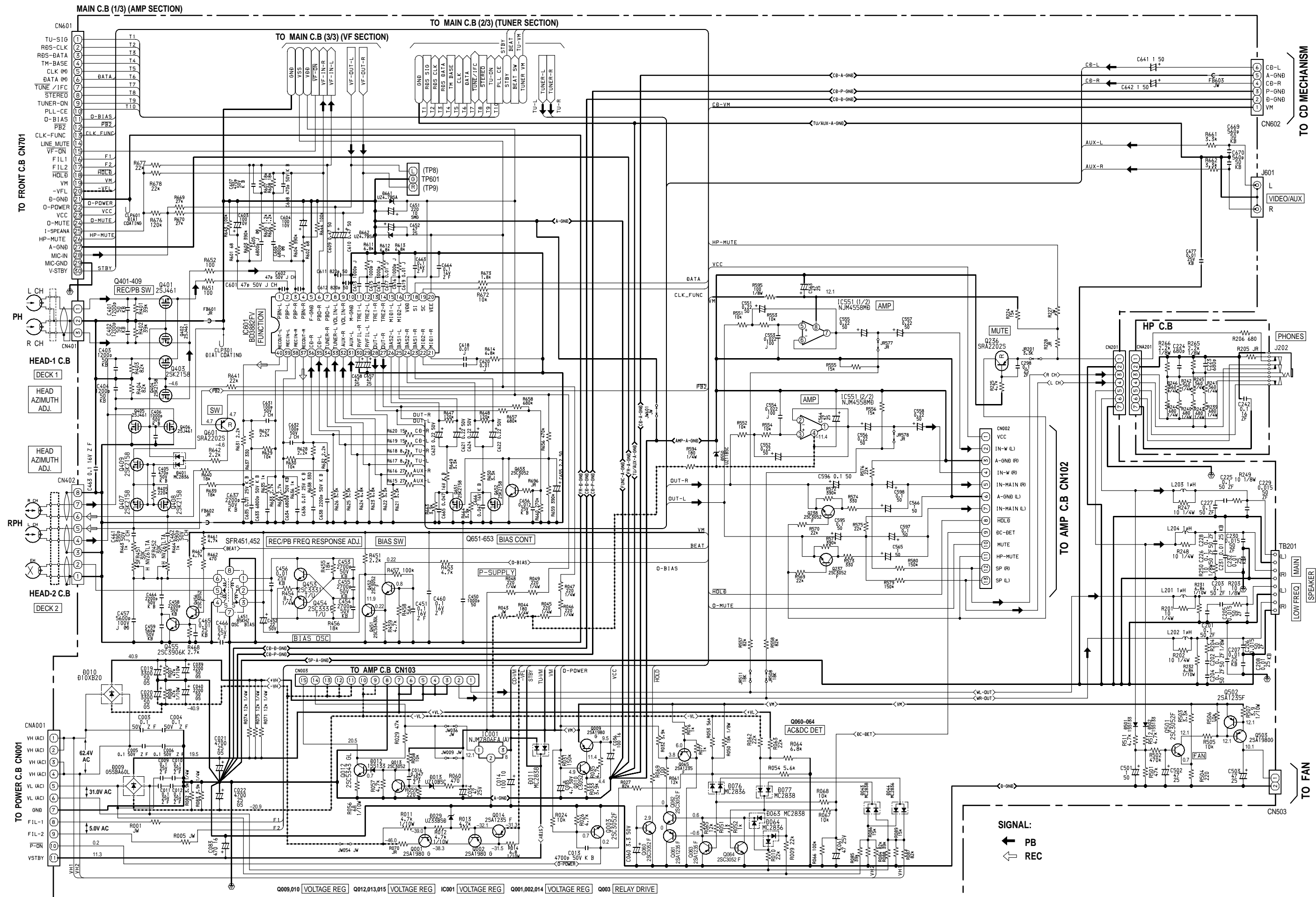
2SK2158



2SA1235F
2SC2620B
2SC3052F
2SC3906KR
2SC5477-T22
2SC5345SF/S(O)
2SD1306NE07TL

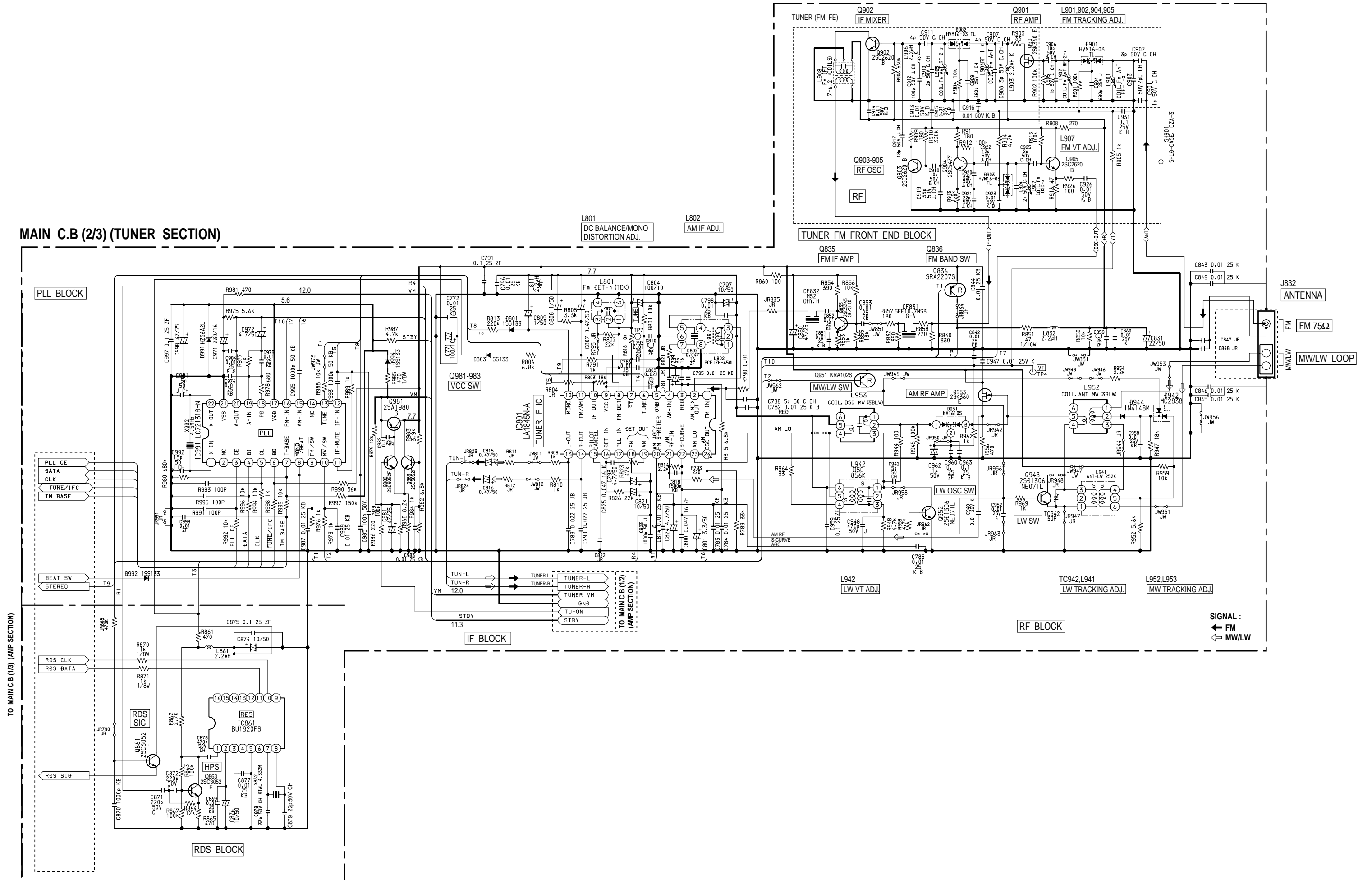
KRA102S
SBT5401
SBT5551
SRA2202S
SRA2207S

SCHEMATIC DIAGRAM - 1/7 (MAIN C.B -1/3, AMP SECTION) /HP C.B

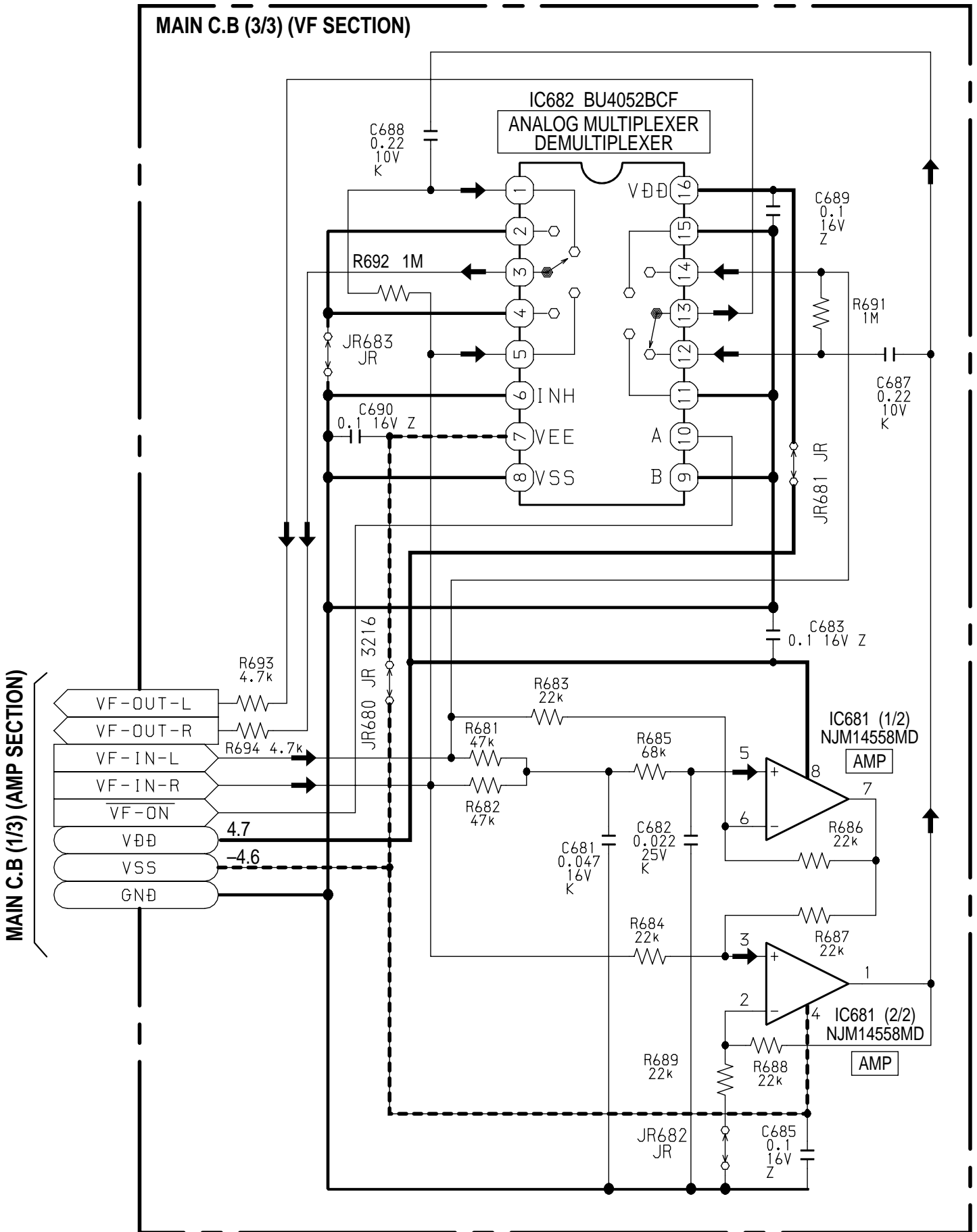


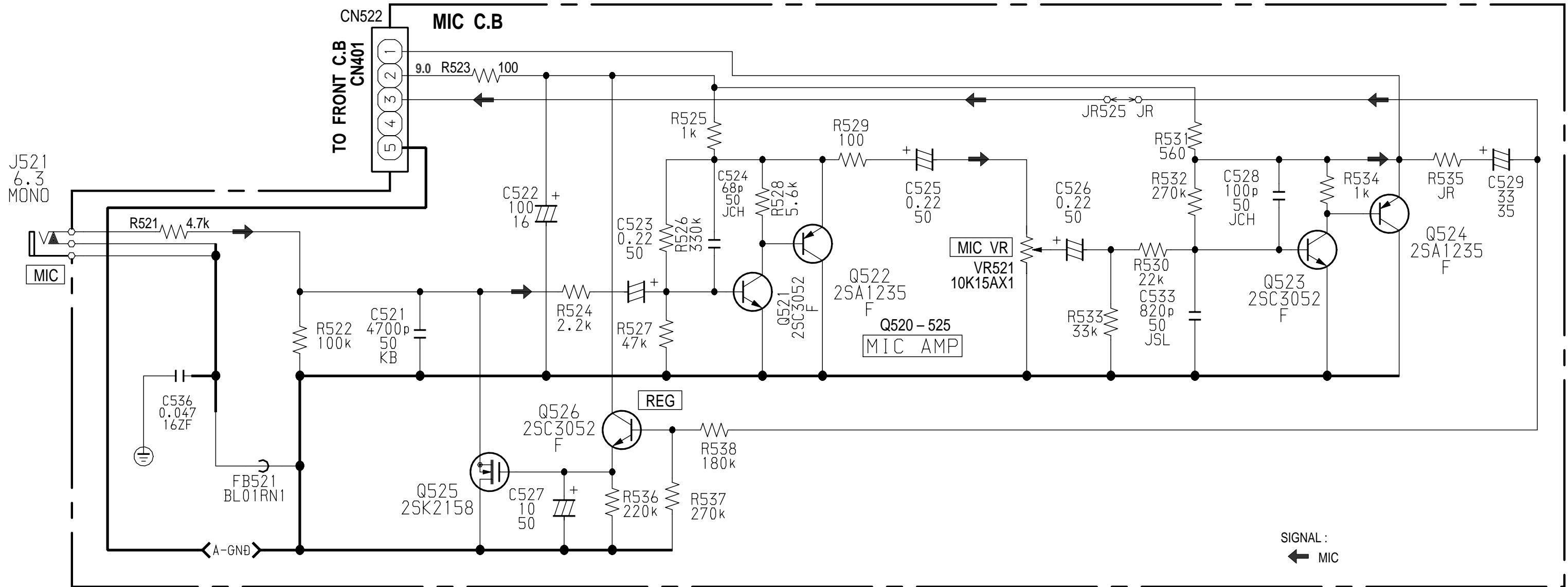
SCHEMATIC DIAGRAM - 2/7 (MAIN C.B - 2/3, TUNER SECTION)

MAIN C.B (2/3) (TUNER SECTION)

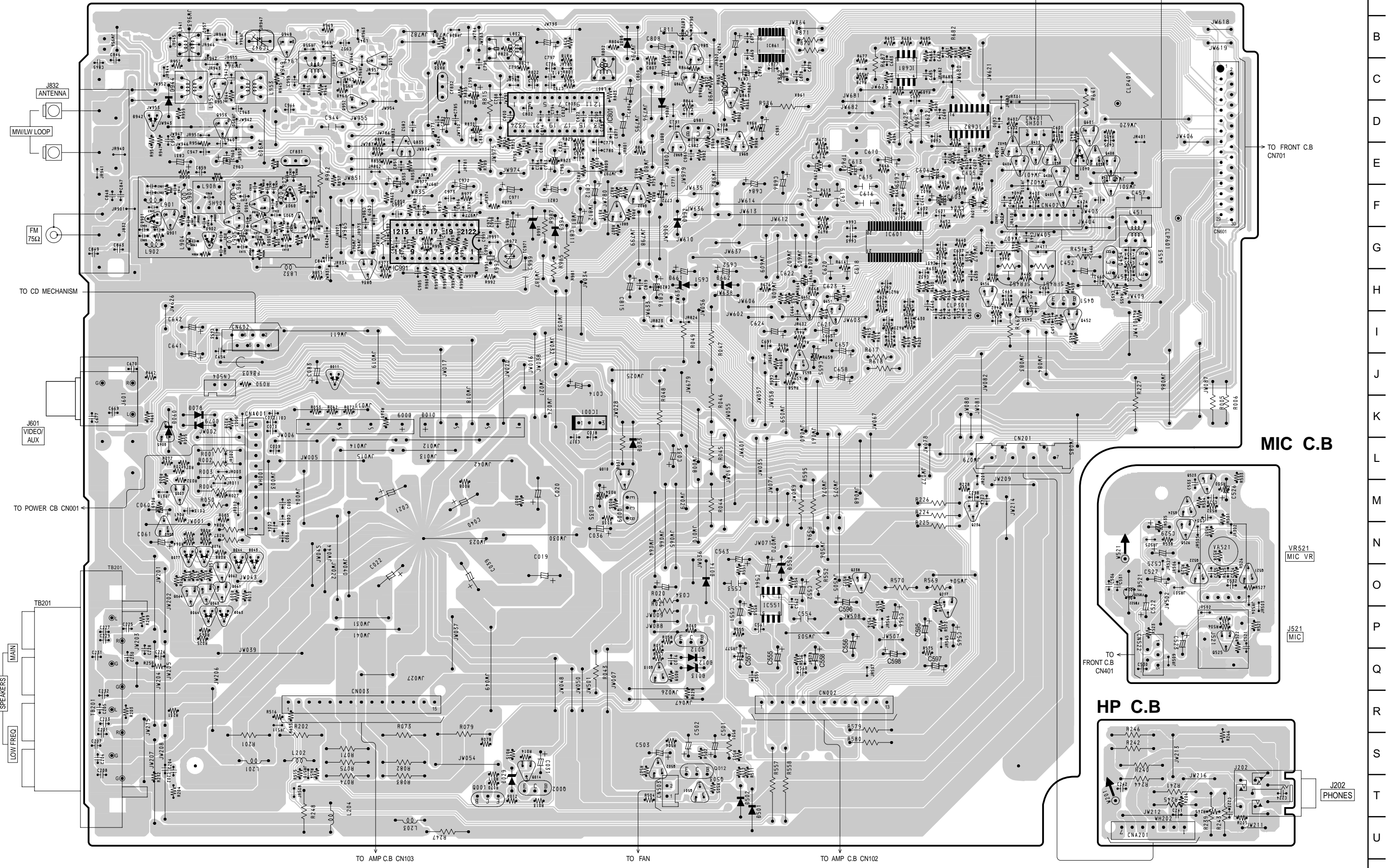


SCHEMATIC DIAGRAM - 3/7 (MAIN C.B - 3/3, VF SECTION)





MAIN C.B

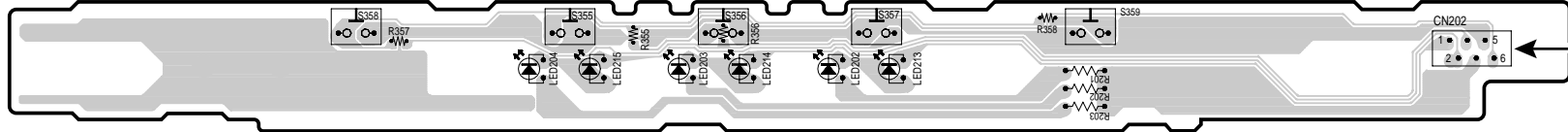


MIC C.B

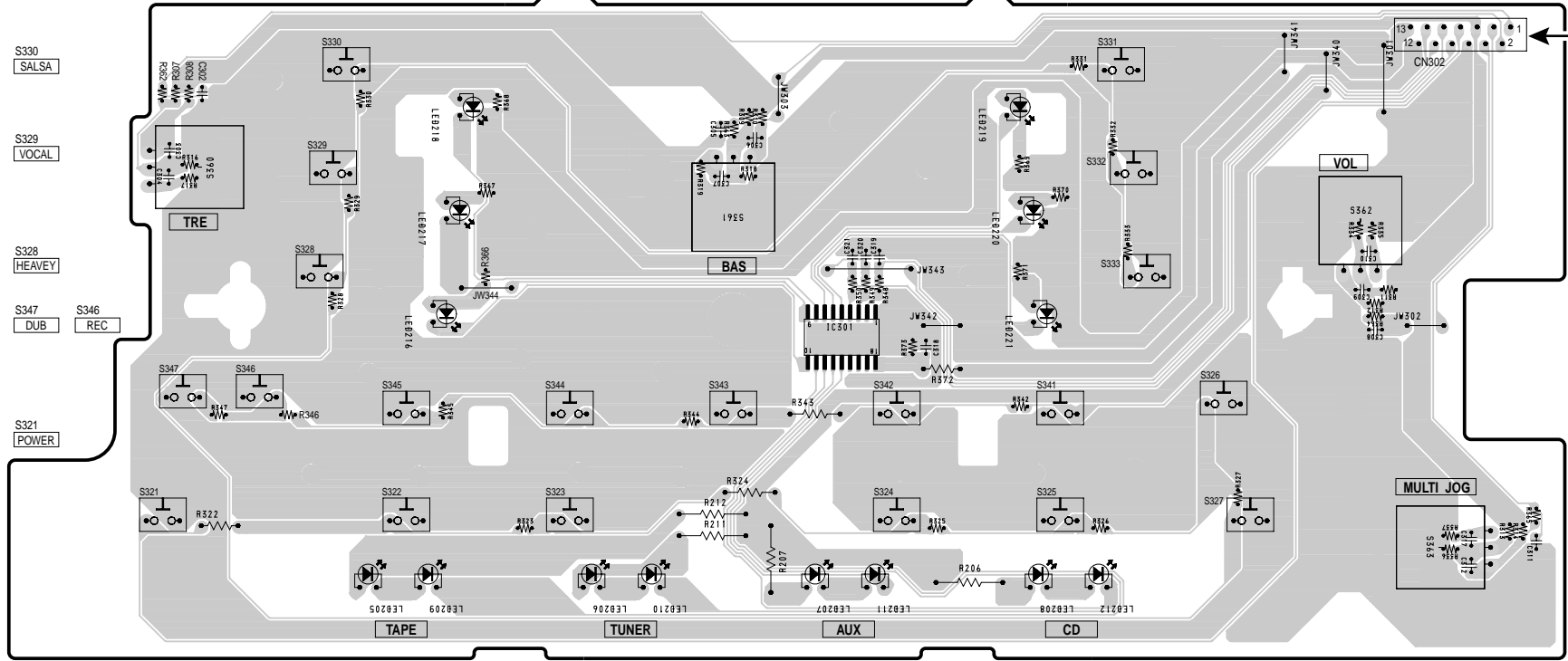
HP C.B

32 31 30 29 28 27 26 25 24 23 22 21 20 19 18 17 16 15 14 13 12 11 10 9 8 7 6 5 4 3 2 1

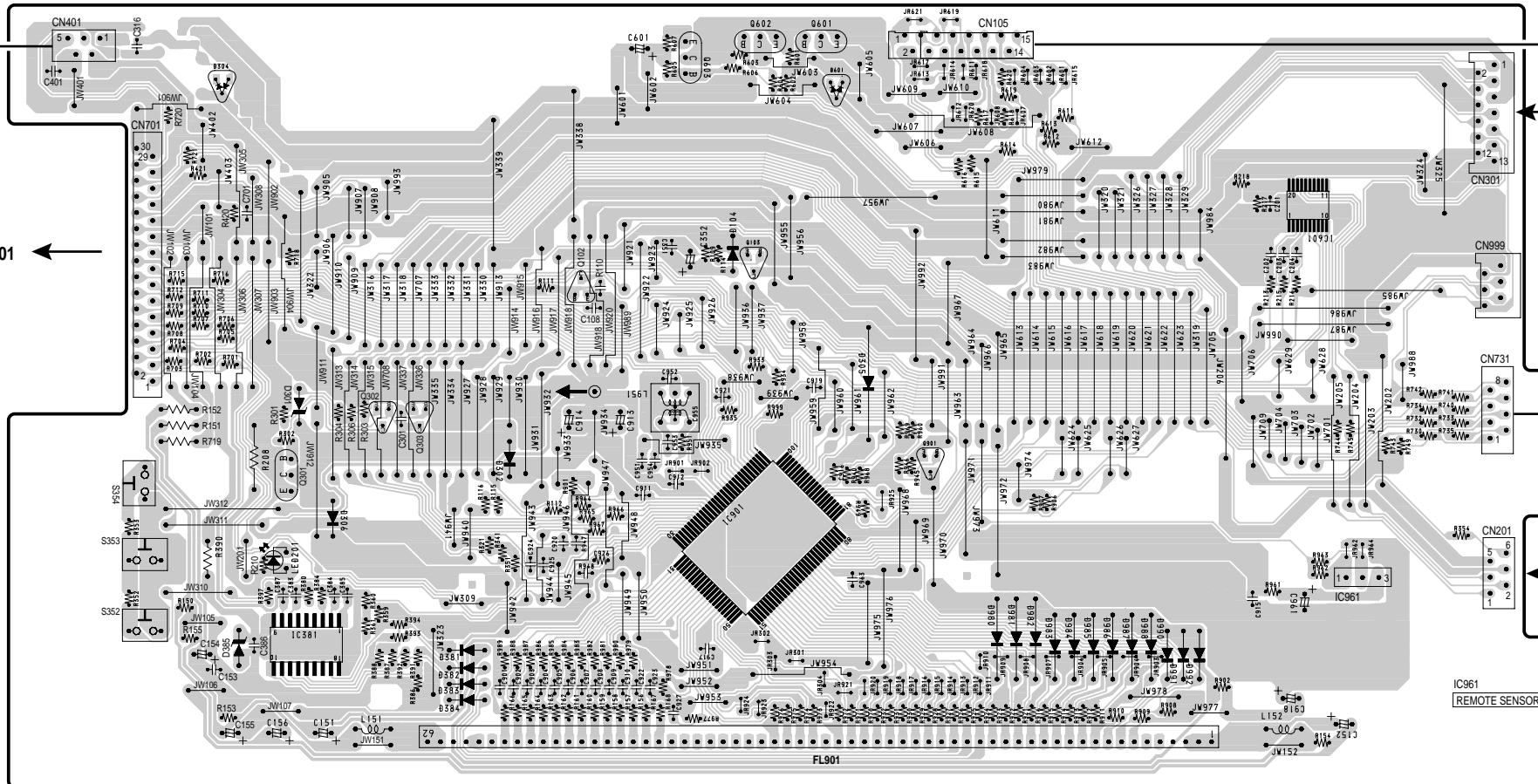
FR-CD C.B.



KEY C.B.



FRONT C.B.



TO MIC C.B. CN522

TO MAIN C.B. CN601

TO DECK C.B. CON1

TO CD MECHANISM

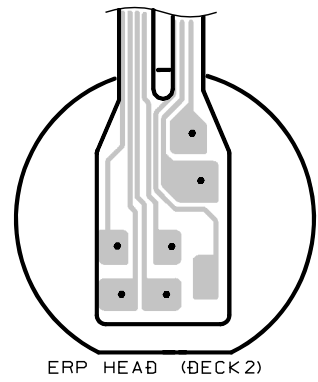
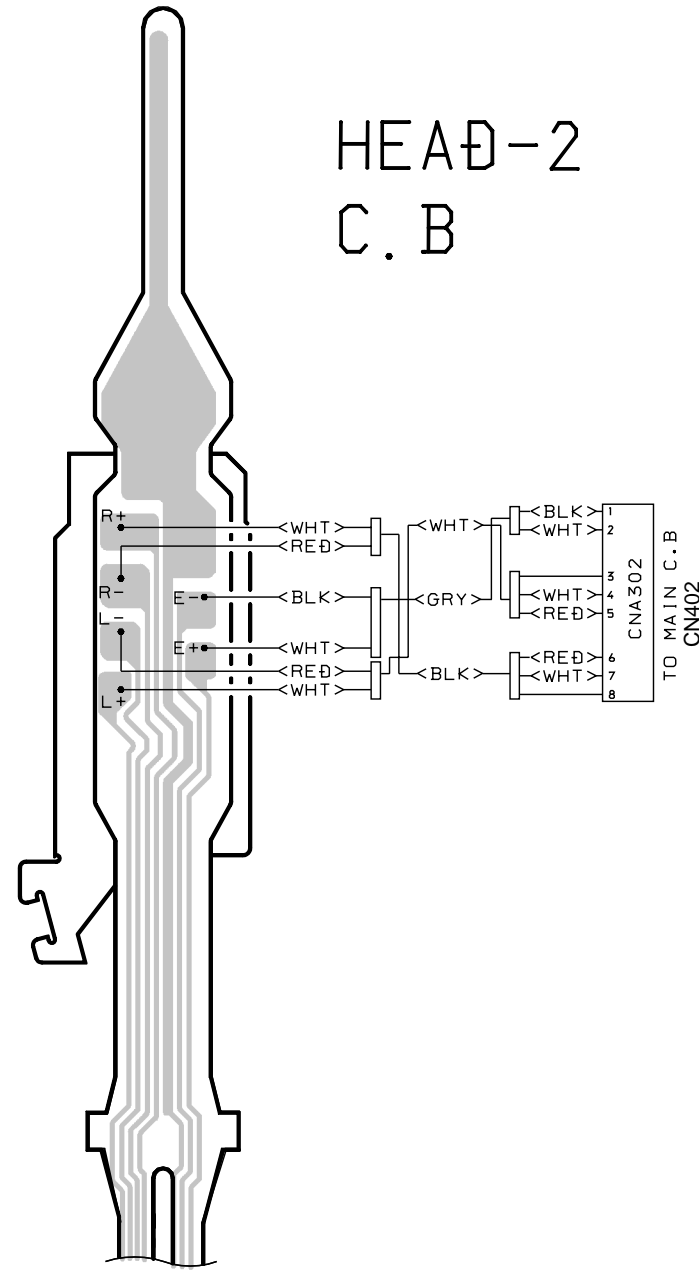
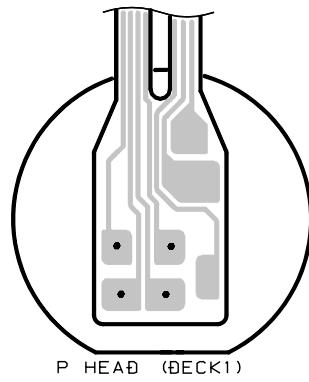
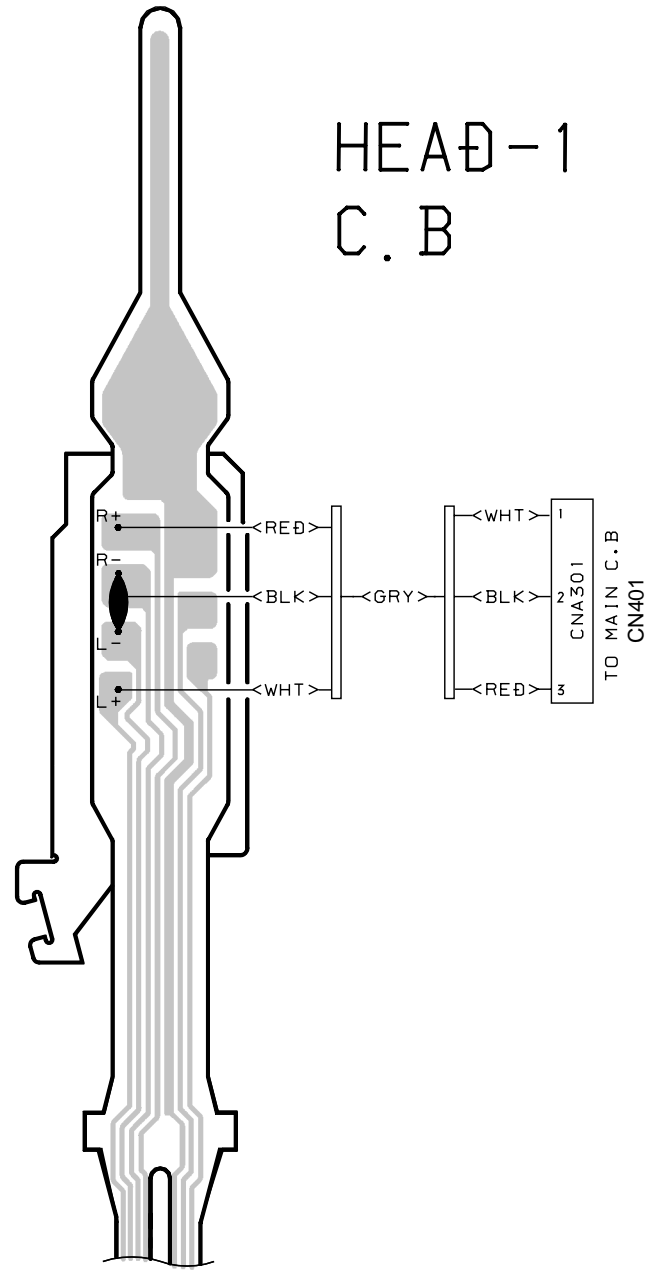
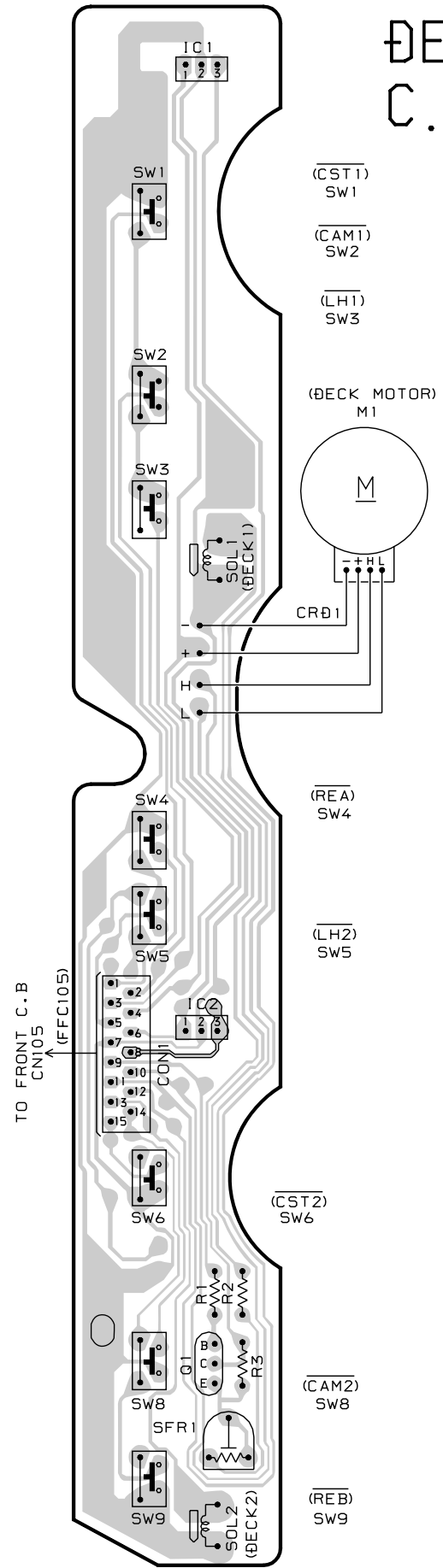
A
B
C
D
E
F
G
H
I
J
K
L
M
N
O
P
Q
R
S
T
U

LED201
POWER STAND-BY

FL901
DISPLAY

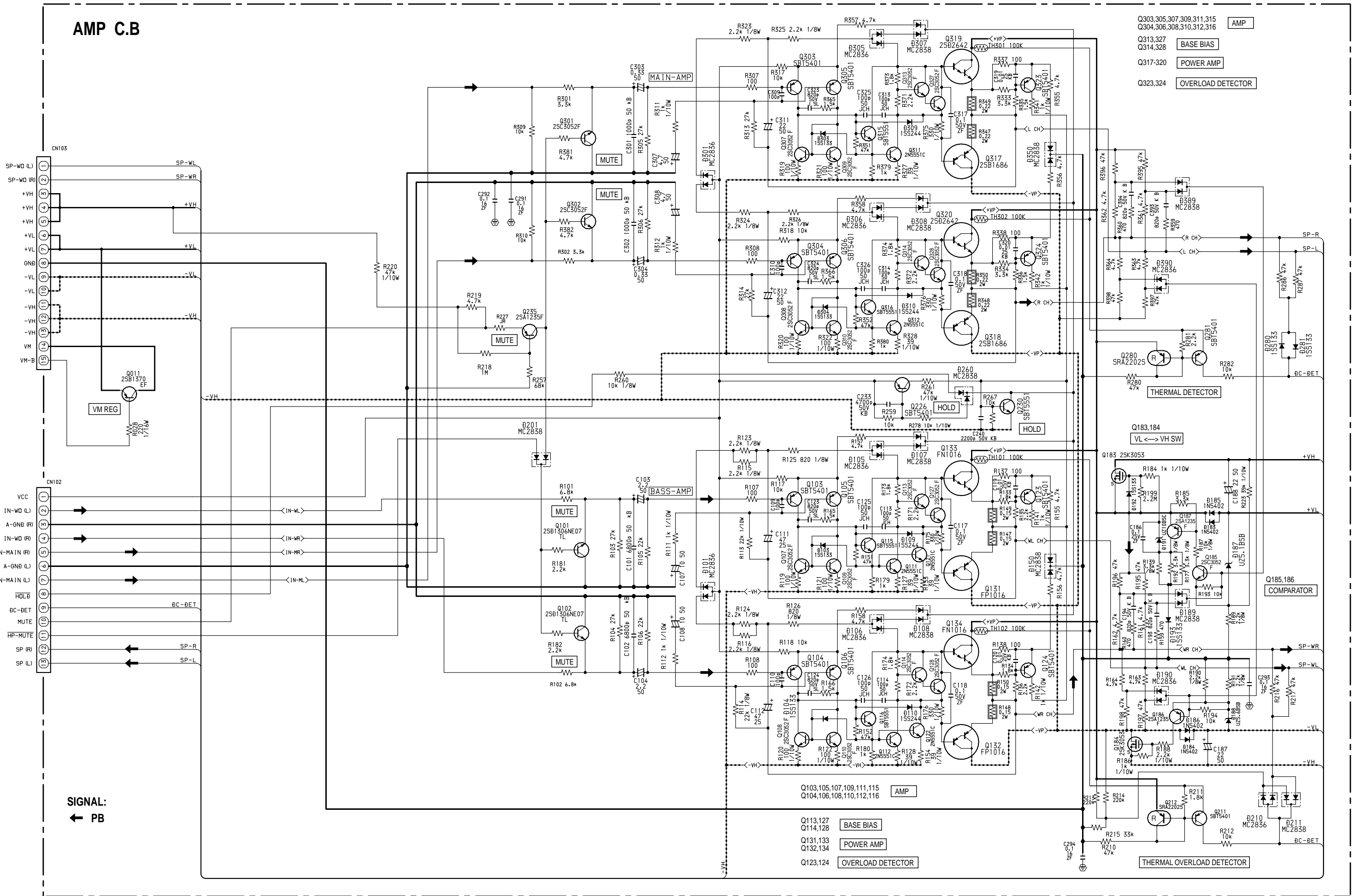
| | | | | | | | | | | | | | | | | | | | | | | | | | | | | | | | |
|----|----|----|----|----|----|----|----|----|----|----|----|----|----|----|----|----|----|----|----|----|----|----|---|---|---|---|---|---|---|---|---|
| 32 | 31 | 30 | 29 | 28 | 27 | 26 | 25 | 24 | 23 | 22 | 21 | 20 | 19 | 18 | 17 | 16 | 15 | 14 | 13 | 12 | 11 | 10 | 9 | 8 | 7 | 6 | 5 | 4 | 3 | 2 | 1 |
|----|----|----|----|----|----|----|----|----|----|----|----|----|----|----|----|----|----|----|----|----|----|----|---|---|---|---|---|---|---|---|---|

| |
|---|
| A |
| B |
| C |
| D |
| E |
| F |
| G |
| H |
| I |
| J |
| K |
| L |
| M |
| N |
| O |
| P |
| Q |
| R |
| S |
| T |
| U |



SCHEMATIC DIAGRAM - 6/7 (AMP C.B)

TO MAIN C.B (1/3) (AMP SECTION) CN003
TO MAIN C.B (1/3) (AMP SECTION) CN002



WIRING - 4/5 (AMP C.B)

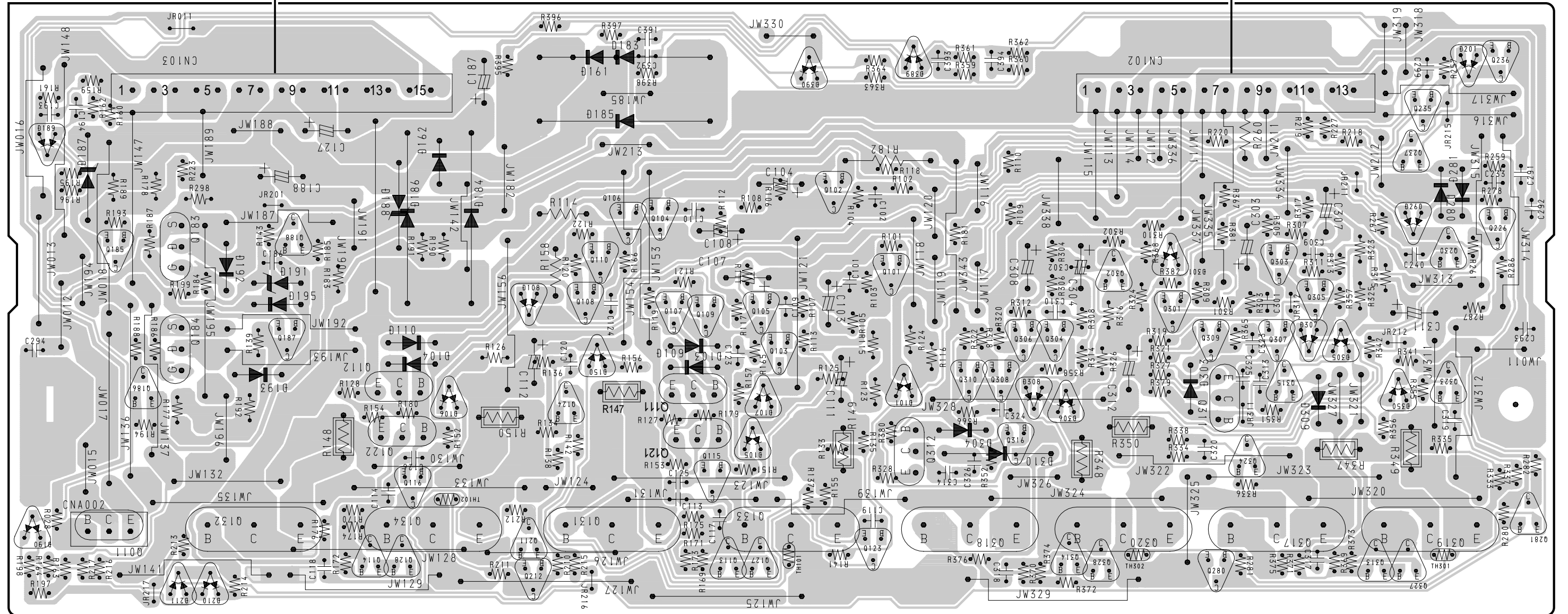
| | | | | | | | | | | | | | | | | | | | | | | | | | | | | | | | |
|----|----|----|----|----|----|----|----|----|----|----|----|----|----|----|----|----|----|----|----|----|----|----|---|---|---|---|---|---|---|---|---|
| 32 | 31 | 30 | 29 | 28 | 27 | 26 | 25 | 24 | 23 | 22 | 21 | 20 | 19 | 18 | 17 | 16 | 15 | 14 | 13 | 12 | 11 | 10 | 9 | 8 | 7 | 6 | 5 | 4 | 3 | 2 | 1 |
|----|----|----|----|----|----|----|----|----|----|----|----|----|----|----|----|----|----|----|----|----|----|----|---|---|---|---|---|---|---|---|---|

| |
|---|
| A |
| B |
| C |
| D |
| E |
| F |
| G |
| H |
| I |
| J |
| K |
| L |
| M |
| N |
| O |
| P |
| Q |
| R |
| S |
| T |
| U |

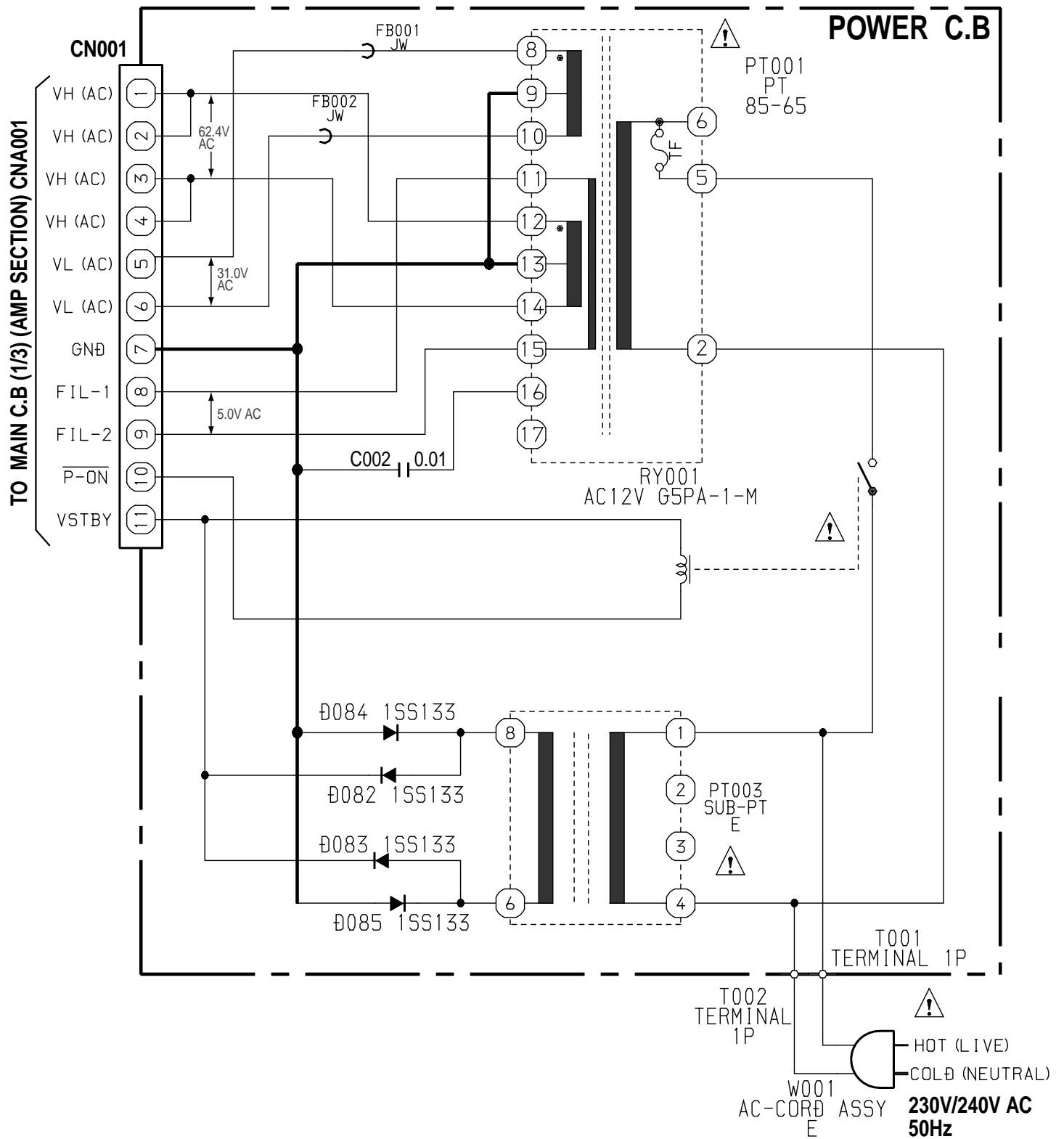
AMP C.B

TO MAIN C.B CN003

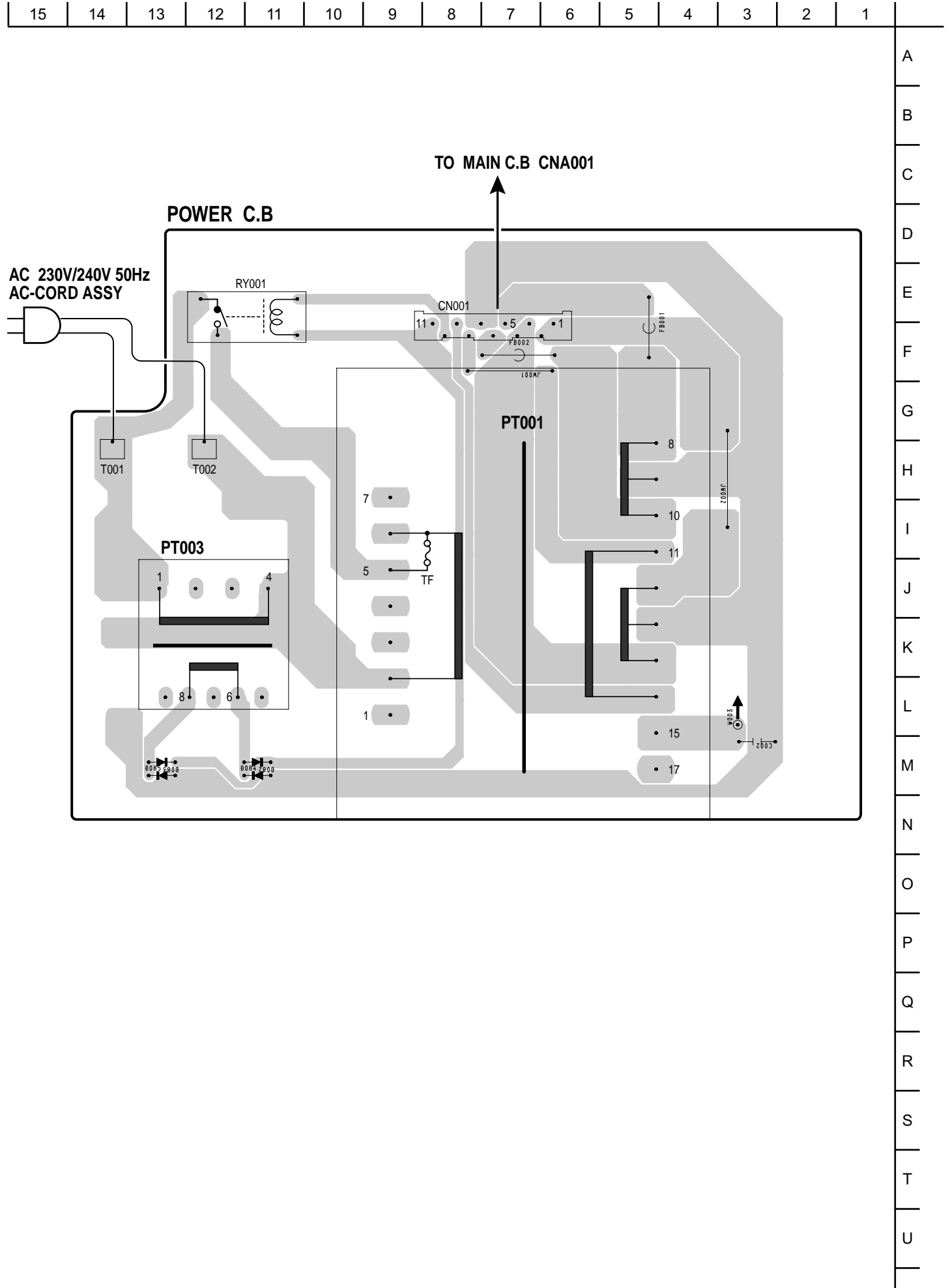
TO MAIN C.B CN002



SCHEMATIC DIAGRAM - 7/7 (POWER C.B)

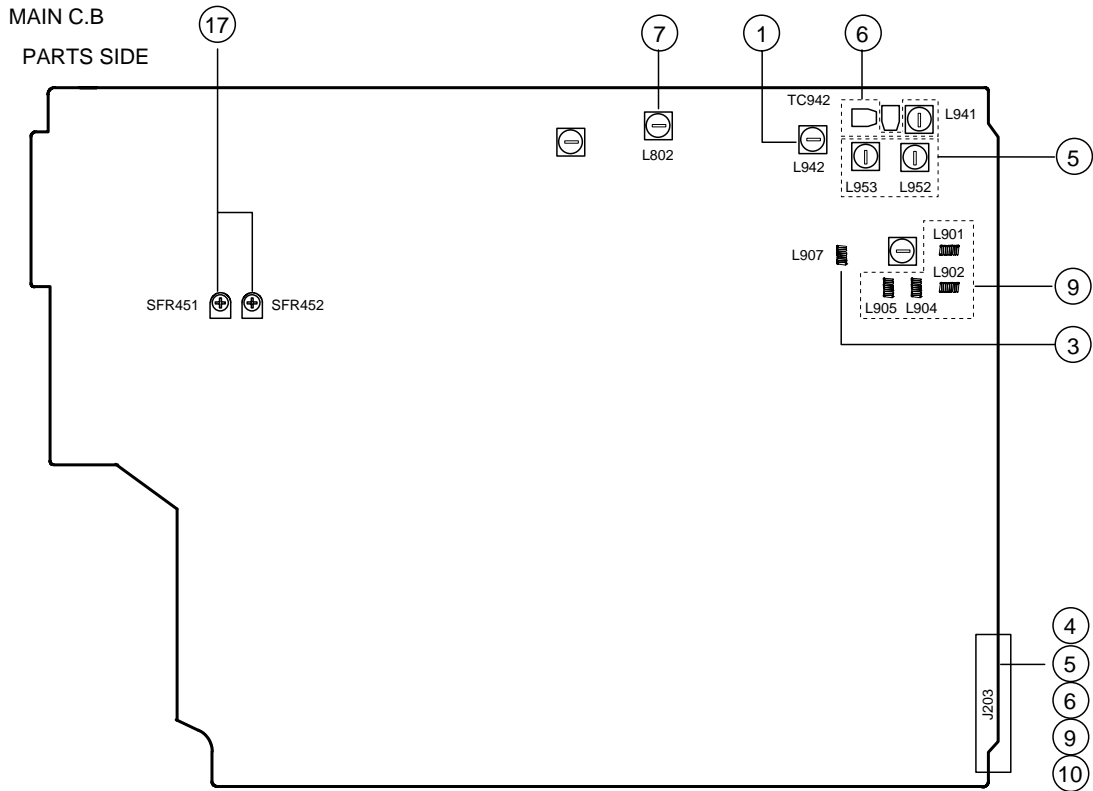


WIRING - 5/5 (POWER C.B)

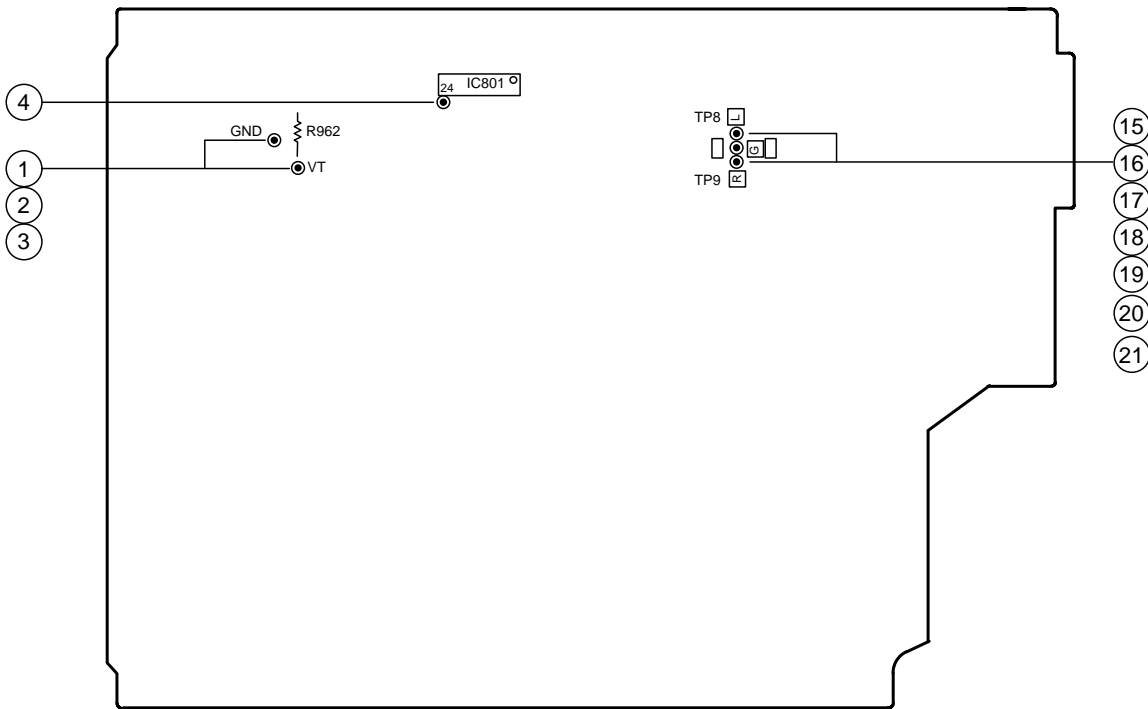


ELECTRICAL ADJUSTMENT -1/8

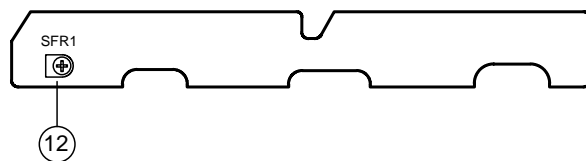
ADJUSTMENT (TUNER/DECK)



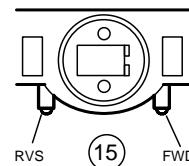
MAIN C.B PATTERN SIDE



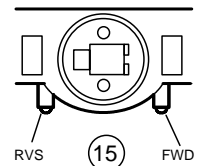
DECK C.B



DECK1 PH



DECK2 RPH



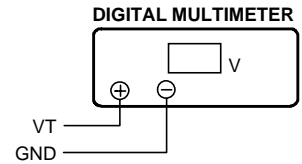
ELECTRICAL ADJUSTMENT -2/8

<TUNER Adjustment>

1. VT Adjustment (LW)

Requirements

- Measuring instrument: Digital multimeter
Test points: VT, GND
- Adjustment point: L942
 - 1) Connect the digital multimeter between VT and GND.
 - 2) Set the function to LW, and tune the receiving frequency of the unit at 144 kHz.
 - 3) Adjust L942 so that the digital multimeter ranges at 1.3 ± 0.05 V.



2. VT Check (MW)

Requirements: Same as above.

- 1) Connect the digital multimeter between VT and GND.
- 2) Set the function to MW, and tune the receiving frequency of the unit at 1,602 kHz.
- 3) Check that the digital multimeter ranges under 8.0 V.
- 4) Tune the receiving frequency of the unit at 531 kHz.
- 5) Check that the digital multimeter ranges above 0.5 V.

3. VT Adjustment and Check (FM)

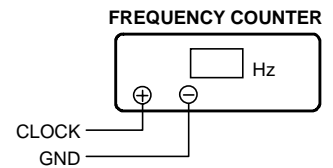
Requirements: Same as the above.

- Adjustment point: L907
 - 1) Connect the digital multimeter between VT and GND.
 - 2) Set the function to FM, and tune the receiving frequency of the unit at 108.0 MHz.
 - 3) Adjust L907 so that the digital multimeter ranges at 7.0 ± 0.3 V.
 - 4) Tune the receiving frequency of the unit at 87.5 MHz.
 - 5) Check that the digital multimeter ranges under 0.5 V.

4. CLOCK Check

Requirements

- Measuring instrument: Frequency counter
Test point: CLOCK (IC801 24PIN), GND
- 1) Connect the frequency counter between CLOCK and GND.
- 2) Set the function to MW, and tune the receiving frequency of the unit at 1,602 kHz.
- 3) Check that the frequency counter ranges at $2,160 \text{ kHz} \pm 45 \text{ Hz}$.



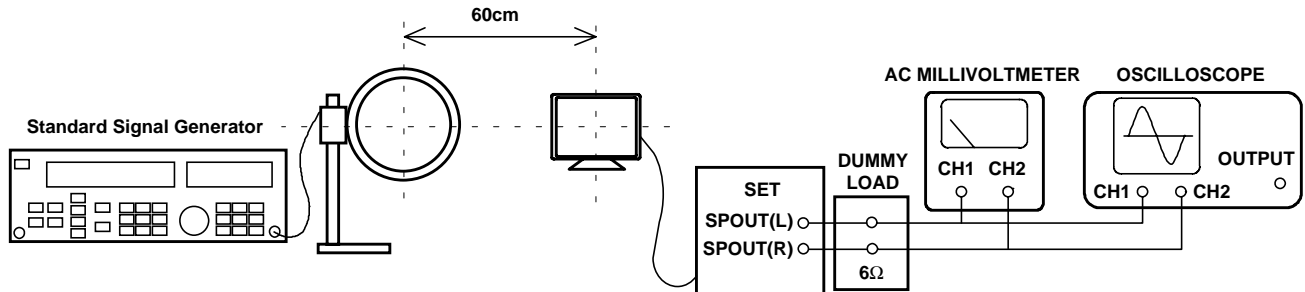
ELECTRICAL ADJUSTMENT -3/8

<MW/LW Adjustment>

Make the following preparations for MW/LW adjustment.

Preparations

- Standard Signal Generator (S.S.G.) / Loop antenna / Oscilloscope / Millivoltmeter / Dummy resistance (6Ω)
 - 1) Connect the unit and measuring instruments as shown in the diagram below
 - 2) Position the loop antenna connected to S.S.G. and the one connected to the unit 60 cm apart.



5. Tracking Adjustment (MW)

Requirements: As instructed in preparations.

- Adjustment point: L952 / L953
 - 1) Set S.S.G. to AM; carrier of 999 kHz with 30% modulation, and source at 1 kHz, position output at maximum.
 - 2) Tune the receiving frequency of the unit at MW 999 kHz.
 - 3) While monitoring the waveform at 1kHz through the oscilloscope, lower the output level of S.S.G. maximum (till a certain degree of noise is monitored).
 - 4) Adjust L952 so that the millivoltmeter points maximum.
 - 5) Set S.S.G. to AM; carrier of 603 kHz with 30% modulation, and source at 1 kHz.
 - 6) Tune the receiving frequency of the unit at MW 603 kHz.
 - 7) Adjust L953 so that the millivoltmeter points maximum.
 - 8) Repeat above steps 1) to 7) 2 to 3 times.

6. Tracking Adjustment (LW)

Requirements: As instructed in preparations.

- Adjustment point: TC942/L941
 - 1) Set TC942 its mechanical centre position.
 - 2) Set S.S.G. to AM; carrier of 144 kHz with 30% modulation, and source at 1 kHz, position output at maximum.
 - 3) Tune the receiving frequency of the unit at LW144 kHz.
 - 4) While monitoring the waveform at 1kHz through the oscilloscope, lower the output level of S.S.G. maximum (till a certain degree of noise is monitored).
 - 5) Adjust L941 so that the millivoltmeter points maximum.
 - 6) Set S.S.G. to LW; carrier of 290 kHz with 30% modulation, and source at 1 kHz.
 - 7) Tune the receiving frequency of the unit at LW 290 kHz.
 - 8) Adjust TC942 so that the millivoltmeter points maximum.
 - 9) Repeat above steps 2) to 8) 2 to 3 times.

7. IF Adjustment (MW)

Requirements: As instructed in preparations.

- Test point: SP OUT (Lch, Rch)
- Adjustment point: L802
 - 1) Set S.S.G. to AM; carrier of 999 kHz with 30% modulation, and source at 1 kHz, position output at maximum.
 - 2) Tune the receiving frequency of the unit at MW 999 kHz.
 - 3) While monitoring the waveform at 1 kHz through the oscilloscope, lower the output level of S.S.G. maximum (till a certain degree of noise is monitored).
 - 4) Adjust L802 so that the millivoltmeter points maximum.

ELECTRICAL ADJUSTMENT -4/8

8. Auto-Stop Check (MW)

Requirements: As instructed in preparations.

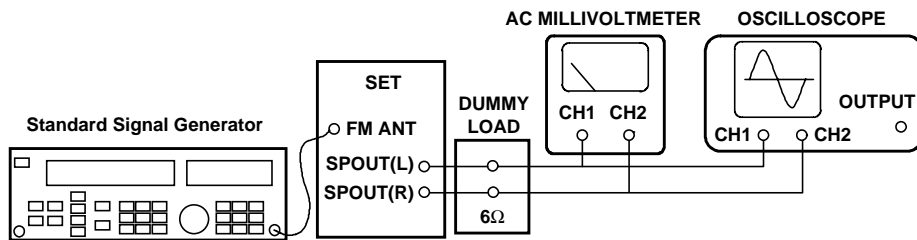
- 1) Set S.S.G. to AM; carrier of 999 kHz with 30% modulation, source at 1 kHz, and output of 40 to 65 dBuV.
- 2) Apply the tuning search function, and check that the unit automatically stops at MW 999 kHz.

<FM Adjustment>

Make the following preparations for FM adjustment.

Preparations

- Standard Signal Generator (S.S.G.) / Loop antenna / Oscilloscope / Millivoltmeter / Dummy resistance (6Ω)
 - 1) Connect the unit and measuring instruments as shown in the diagram below.
 - 2) Connect the output of S.S.G. to the antenna input of the unit.



9. Tracking Adjustment

Requirements: As instructed in preparations.

- Adjustment point: L901/L902/L904/L905
 - 1) Set S.S.G. to FM; carrier of 98 MHz with 75 kHz modulation, and source at 1 kHz, position output at maximum.
 - 2) Tune the receiving frequency of the unit at FM 98 MHz.
 - 3) While monitoring the waveform at 1kHz through the oscilloscope, lower the output level of S.S.G. maximum (till a certain degree of noise is monitored).
 - 4) Adjust L905 -> L904 -> L902 -> L901 -> L902 -> L904 -> L905 sequentially and repeat adjustment 2 to 3 times, so that the millivoltmeter points maximum.

10. Separation Check

Requirements: As instructed in preparations.

- 1) Set S.S.G. to FM; carrier of 98 MHz with 67.5 kHz modulation, source at 1 kHz, and output at 74 dBuV.
- 2) Switch S.S.G. to PILOT ON, and set PILOT at 7.5 kHz.
- 3) Tune the receiving frequency of the unit at FM 98 MHz.
- 4) Allow the output of S.S.G. only from Lch, and check that the difference between Lch and Rch is 12 dB or above.
- 5) Apply the above check to Rch.

11. Auto-Stop Check

Requirements: As instructed in preparations.

- 1) Set S.S.G. to FM; carrier of 98 MHz with 75 kHz modulation, source at 1kHz, and output at 10 to 35 dBuV.
- 2) Apply the tuning search function, and check that the unit automatically stops at FM 98 MHz.

ELECTRICAL ADJUSTMENT -5/8

<DECK Section>

Make the following preparations for DECK section adjustment.

Preparations

Measuring Equipment: Audio Signal Generator / Attenuator / Wow and Flutter Meter (Frequency Counter) / Oscilloscope / Millivoltmeter / Dummy resistance (6Ω)

Test Tape: TTA-100 / TTA-300 (or TTA-310, 320) / TTA-200 / TTA-602 / TTA-665 (or equivalent recording and Playback Test Tapes)

12. Tape Speed Adjustment (DECK 2)

Requirements

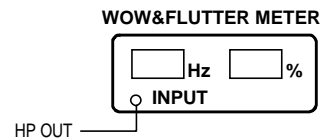
- Measuring instrument: Wow and flutter meter (frequency counter)

Test tape: TTA-100 (3 kHz)

Test point: HP OUT

Adjustment point: SFR1

- 1) Connect the wow and flutter meter to HP OUT of the unit.
- 2) Insert the test tape (TTA-100) to DECK 2. Forward and play back the middle part of the tape, and adjust SFR1 so that the level 3,000 Hz \pm 5 Hz is monitored.
- 3) Reverse and play back the middle part of the tape, and check that the level is ranged within \pm 45 Hz as compared to the forward tape speed.



13. Tape Speed Check (DECK 1)

Requirements: Same as the above, 12.

- 1) Insert the test tape (TTA-100) to DECK 1. Play back the middle part of the tape, and check that the level is ranged within \pm 55 Hz as compared to the speed monitored for DECK 2.

14. Wow and Flutter Check (DECK 1 and DECK 2)

Requirements: Same as the above, 12.

- 1) Connect the wow and flutter meter to HP OUT of the unit.
- 2) Set the wow and flutter to JIS for INDICATOR and to W RMS (WTD) for mode.
- 3) Play back the middle part of the test tape (TTA-100), and check that the level ranges under 0.21%.

15. Head Azimuth Adjustment (DECK 1 and DECK 2)

Requirements

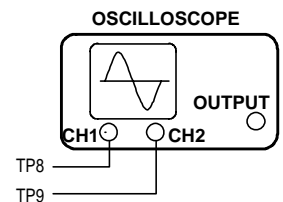
- Measuring instrument: Oscilloscope

Test tape: TTA-300 (10 kHz)

Test point: TP8 (Lch), TP9 (Rch)

Adjustment point: Head azimuth adjustment screws (FWD and RVS)

- 1) Connect the probe CH1 of the oscilloscope to TP8 (Lch) and CH2 to TP9 (Rch).
- 2) Set V mode of the oscilloscope to ADD.
- 3) Insert the test tape (TTA-300) to DECK 1. Forward and play back the middle part of the tape, and adjust the head azimuth adjustment screw (FWD) so that the waveform achieves its maximum level when 10 kHz is played.
- 4) Reverse and play back the middle part of the tape, and adjust the head azimuth adjustment screw (RVS) so that the waveform achieves its maximum level when 10 kHz is played.
- 5) After adjustment, secure the screw with glue (1600 B).
- 6) Apply the above steps 3) and 5) to DECK 2.



16. Playback Frequency Check (DECK 1 and DECK 2)

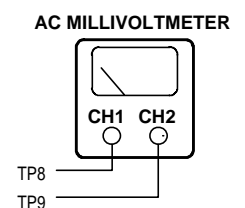
Requirements

- Measuring instrument: Millivoltmeter

Test tape: TTA-300 (315 Hz / 10 kHz)

Test point: TP8 (Lch), TP9 (Rch)

- 1) Connect CH1 of the millivoltmeter to TP8 (Lch) and CH2 to TP9 (Rch).
- 2) Insert the test tape (TTA-300) to DECK 1, and play back 315 Hz and 10 kHz.
- 3) Check that the level of 10 kHz is ranged within 0 ± 3 dB compared to the output level of 315 Hz as a reference.
- 4) Apply the above steps 2) and 3) to DECK 2.



ELECTRICAL ADJUSTMENT -6/8

17. Playback Sensitivity Check (DECK 1 and DECK 2)

Requirements

- Measuring instrument: Millivoltmeter
Test tape: TTA-200 (400 kHz)
Test points: TP8 (Lch), TP9 (Rch)
 - Connect CH1 of the millivoltmeter to TP8 (Lch) and CH2 to TP9 (Rch).
 - Insert the test tape (TTA-200) to DECK 1 and play back.
 - Check that the output level is ranged within $140 \text{ mV} \pm 3 \text{ dB}$.
 - Apply the above steps, 2) and 3) to DECK 2.

18. Record/Playback Frequency Response Adjustment (DECK 2 for Normal Tape)

Requirements

- Measuring instrument: Millivoltmeter, Audio signal oscillator (low frequency oscillator), Attenuator

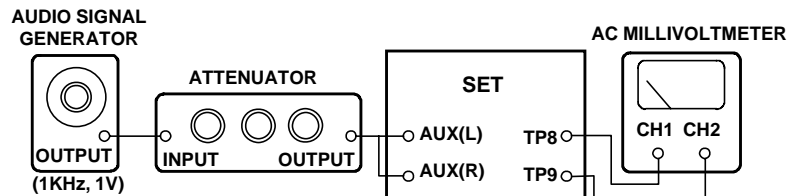
Test tape: TTA-602 (NORMAL)

Test points: TP8 (Lch), TP9 (Rch)

Input point: AUX (1 kHz / 8 kHz)

Adjustment points: SFR451 (Lch), SFR452 (Rch)

- Connect CH1 of the millivoltmeter to TP8 (Lch) and CH2 to TP9 (Rch).
- Connect the output of the oscillator to the attenuator, and then the attenuator to AUX of the unit.
- Insert the test tape (TTA-602) to DECK 2, and record 1 kHz signal from AUX.
- Adjust the attenuator so that the output levels at TP8 and TP9 are ranged at 10 mV.
- Record 1 kHz and 8 kHz alternatively.
- Play back the tape. Adjust SFR451 (Lch) / SFR452 (Rch) so that the playback output level of 8 kHz is ranged within $0 \pm 1 \text{ dB}$ compared to the playback output level of 1 kHz as reference.



19. Record/Playback Frequency Response Adjustment (DECK 2 for CrO2 Tape)

Requirements

- Measuring instrument: Same as the above, 18
- Test tape: TTA-665 (CrO2)
- Test point: TP8 (Lch), TP9 (Rch)
- Input point: AUX (1 kHz / 8 kHz)
- Connect CH1 of the millivoltmeter to TP8 (Lch) and CH2 to TP9 (Rch).
 - Connect the output of the oscillator to the attenuator, and then the attenuator to AUX of the unit.
 - Insert the test tape (TTA-665) to DECK 2, and record 1 kHz signal from AUX.
 - Adjust the attenuator so that the output levels at TP8 and TP9 are ranged at 10 mV.
 - Record 1 kHz and 8 kHz alternatively.
 - Play back the tape. Confirm that the playback output level of 8 kHz is ranged within $0 \pm 2.5 \text{ dB}$ compared to the playback output level of 1 kHz as reference.

ELECTRICAL ADJUSTMENT -7/8

20. Record/Playback Sensitivity Check (DECK 2 for Normal Tape)

Requirements

- Measuring instrument: Same as the above, 18
- Test tape: TTA-602 (NORMAL)
Test point: TP8 (Lch),TP9 (Rch)
Input point: AUX (1 kHz)
- 1) Insert the test tape (TTA-602) to DECK 2, and record 1 kHz signal from AUX.
 - 2) Adjust the attenuator so that the output levels at TP8 and TP9 are 100 mV.
 - 3) Play back 1kHz, and check that the output level is ranged within $0 \text{ dB} \pm 2.5 \text{ dB}$ compared to the recording output level.

21. Record/Playback Sensitivity Check (DECK 2 for CrO2 Tape)

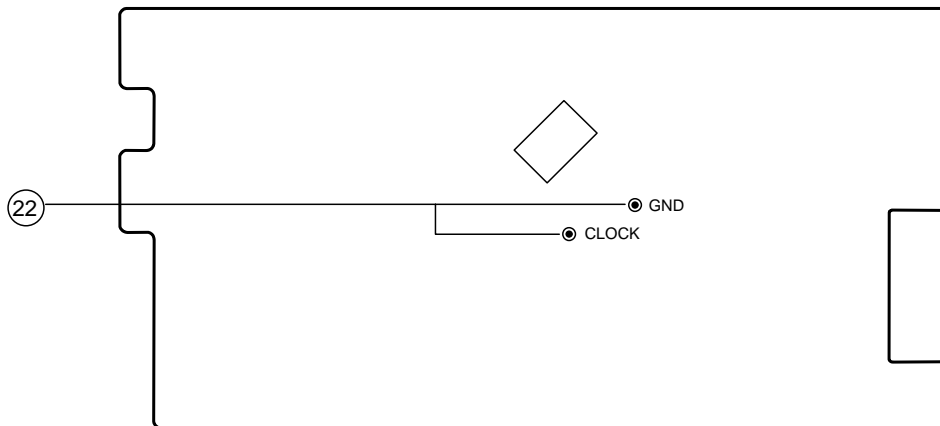
Requirements

- Measuring instrument: Same as the above, 18
- Test tape: TTA-665 (CrO2)
Test point: TP8 (Lch),TP9 (Rch)
Input point: AUX (1 kHz)
- 1) Insert the test tape (TTA-665) to DECK 2, and record 1 kHz signal from AUX.
 - 2) Adjust the attenuator so that the output levels at TP8 and TP9 are 100 mV.
 - 3) Play back 1kHz, and check that the output level is ranged within $0 \text{ dB} \pm 3 \text{ dB}$ compared to the recording output level.

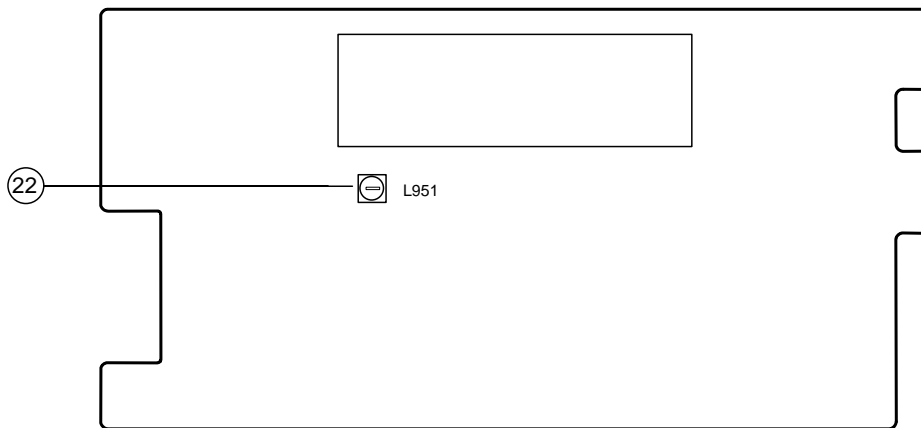
ELECTRICAL ADJUSTMENT -8/8

<FRONT Section>

FRONT C.B PATTERN SIDE



FRONT C.B PARTS SIDE



22. Clock Adjustment

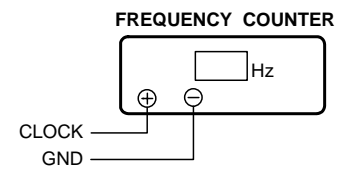
Requirements

- Measuring instrument: Frequency counter

Test point: CLOCK, GND

Adjustment point: L951

- 1) While pressing the FF and POWER button, insert the AC plug to the outlet.
- 2) Adjust L951 so that the frequency counter indicates the frequency level within 250.471 ± 0.25 Hz.



CD TEST MODE -1/1

CD TEST MODE

1. Starting CD Test Mode

While pressing and holding down the CD FUNCTION button, insert the AC plug to outlet.
When test mode starts, the message, CD TEST appears on the display.

2. Exiting CD Test Mode

Press the POWER button or other FUNCTION button, remove the AC plug from outlet.

3. Function of CD Test Mode

| No | Mode | Function Key | Display | Movement | Check |
|----|---------------|-----------------------------|----------|--|---|
| 1 | Start Mode | | All lit. | FL all lit. | FL check Microcomputer check |
| 2 | Search Mode | STOP button | READING | LD constantly lit. Focus search continuous movement *1, 2 Spindle motor continuous kick | APC circuit check Laser current electricity measurement Focus search waveform check Focus error waveform check (DRF is ignored during search mode.) |
| 3 | Play Mode | PLAY button | Normal | Normal playback If TOC READ is unavailable, focus search is continued. | Each servo circuit check DRF check DRF waveform check (approx. 1.5Vp-p) |
| 4 | Traverse Mode | PAUSE button | Normal | Tracking servo OFF/ON OFF and ON is repeated by every press of the PAUSE button. | Tracking balance check |
| 5 | Sled Mode | FF button | CD TEST | PU moves to the innermost position. *3 At the same time, lens is kicked toward inner position. | Sled circuit check Tracking circuit check Mechanism movement check PU check |
| | | RWD button | CD TEST | PU moves to the outermost position. *3 At the same time, lens is kicked toward outer position. | |
| 6 | Spindle Mode | ●REC/ REC MUTE button | All lit. | When the button is pressed at the first time, spindle motor rotates forward (at rough speed). At the second press, rotation is reversed. At the third press, rotation stops. | Spindle circuit check Spindle motor check |

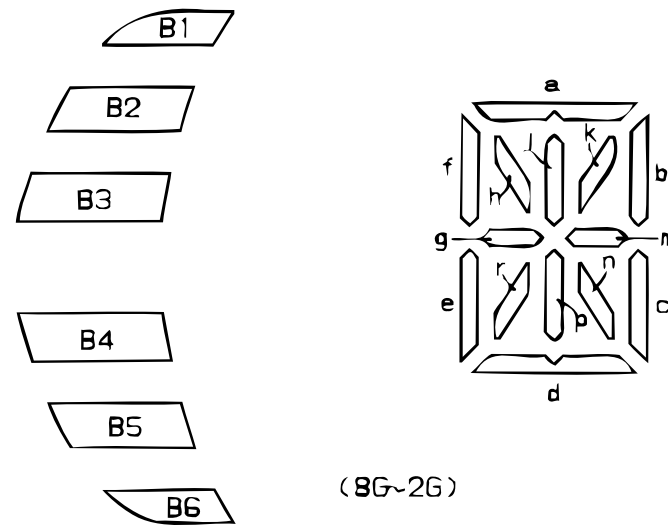
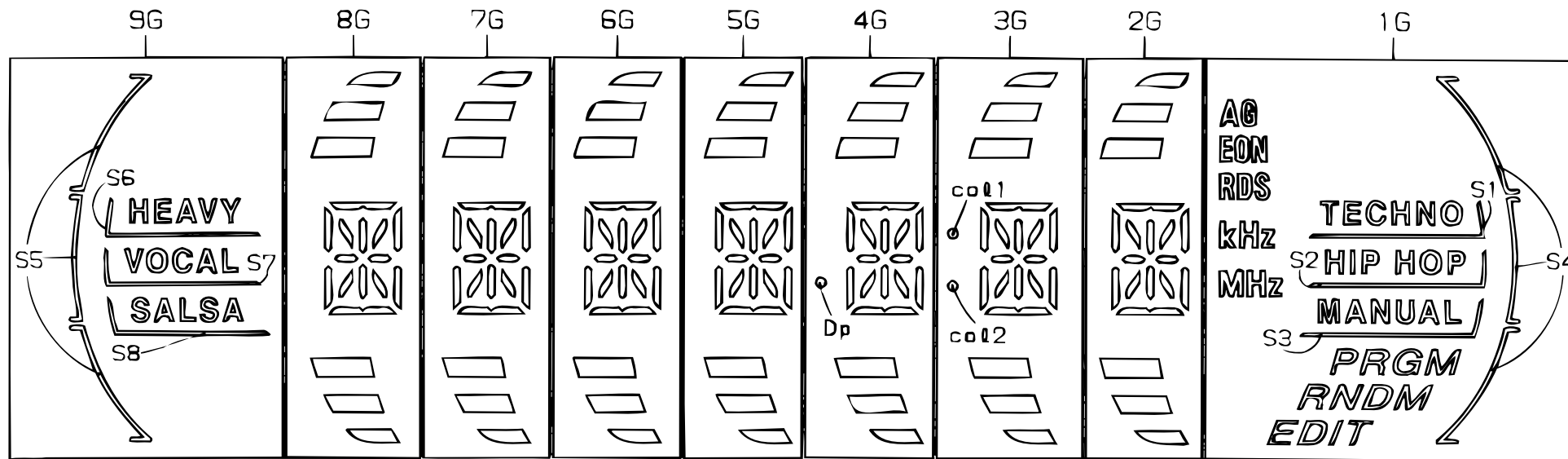
* 1 When Focus Search operates continuously more than 10 minutes, the protection circuit is activated due to heat generation of the driver IC.

In this case, turn off the power, wait for approximately 10 minutes so that heat is released, and then restart.

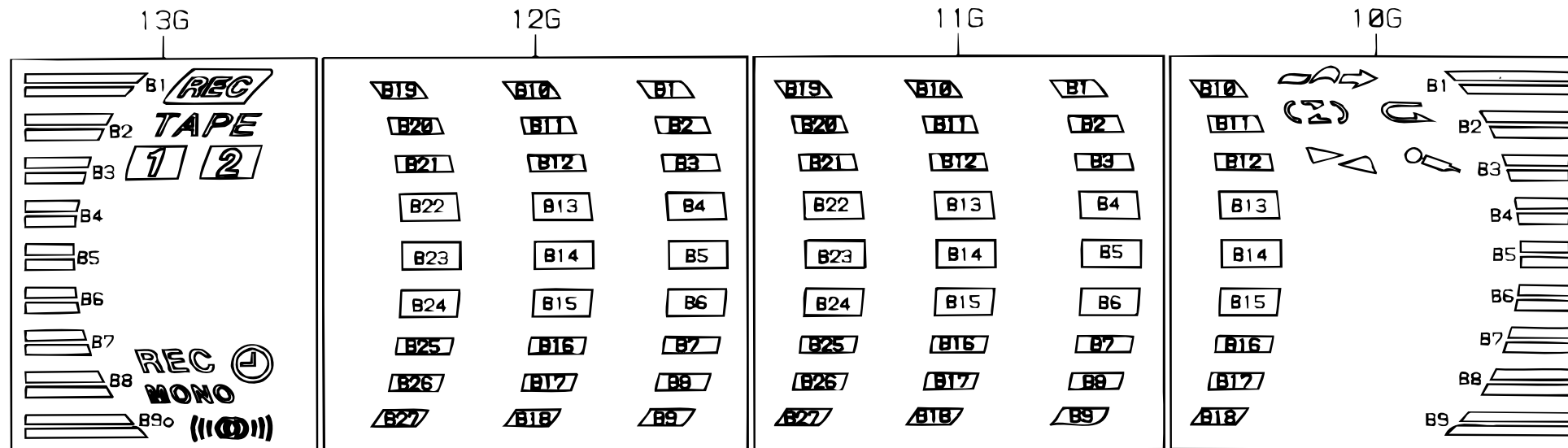
* 2 When the Focus Search fails three times, the gain is switched for CD-RW at the fourth time.

* 3 Be careful not to damage the gear because the sled motor rotates while the FF or RWD button is being pressed even if the pickup is located in the innermost track or the outermost track.

GRID ASSIGNMENT (FRONT)

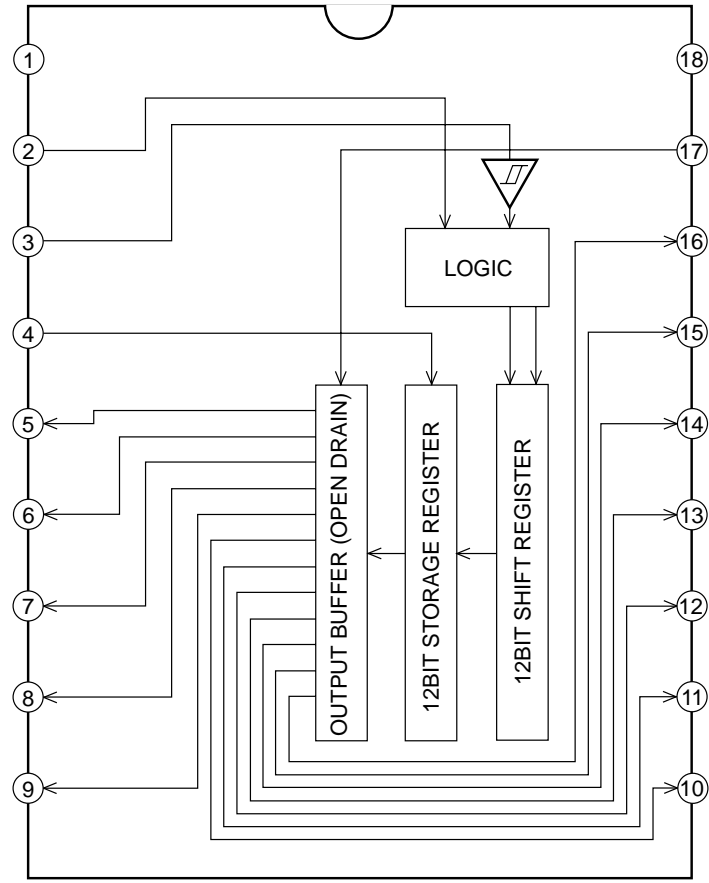


GRID ASSIGNMENT (REAR)

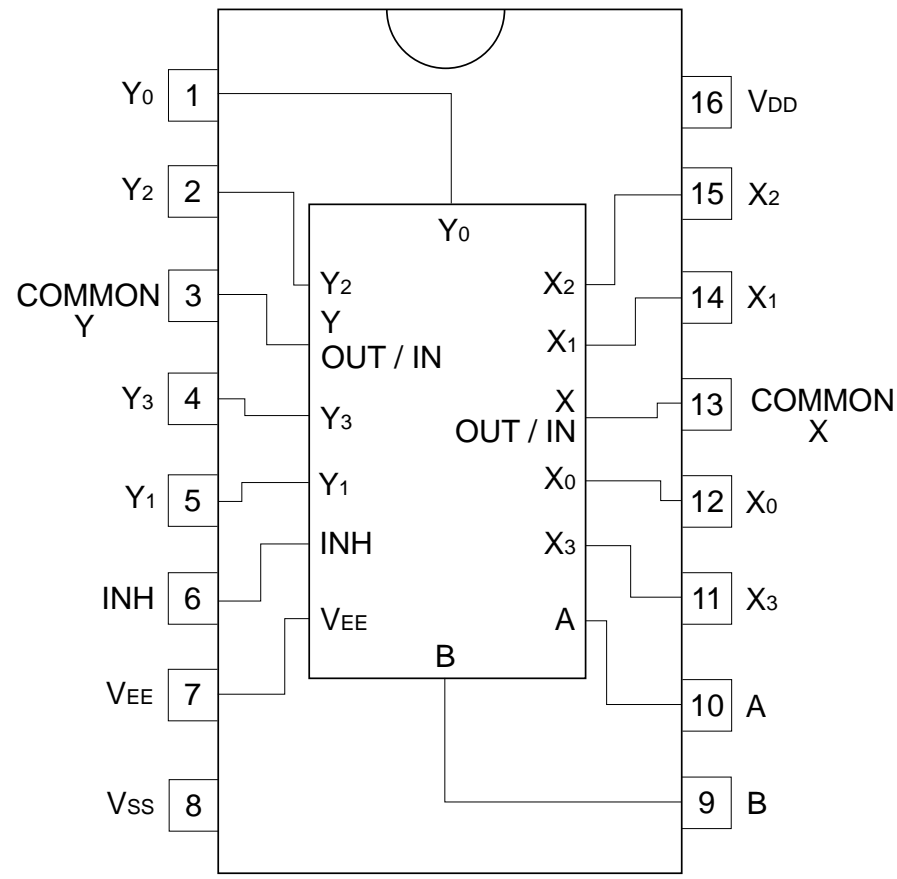


IC BLOCK DIAGRAM -1/1

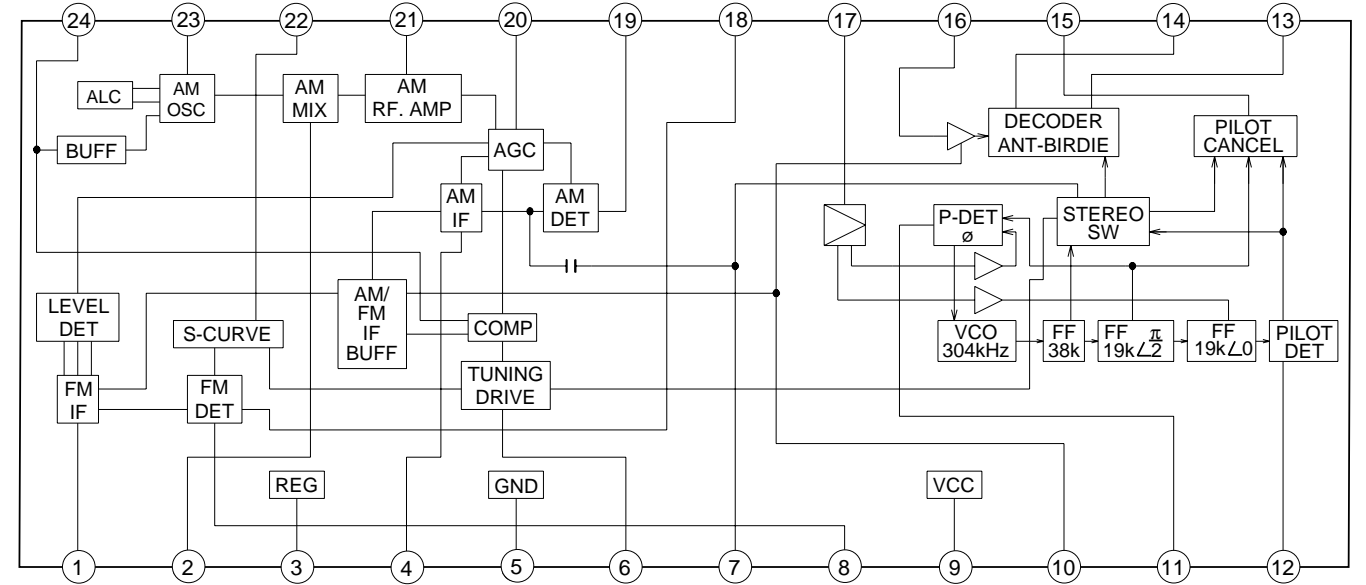
IC, BU2092F



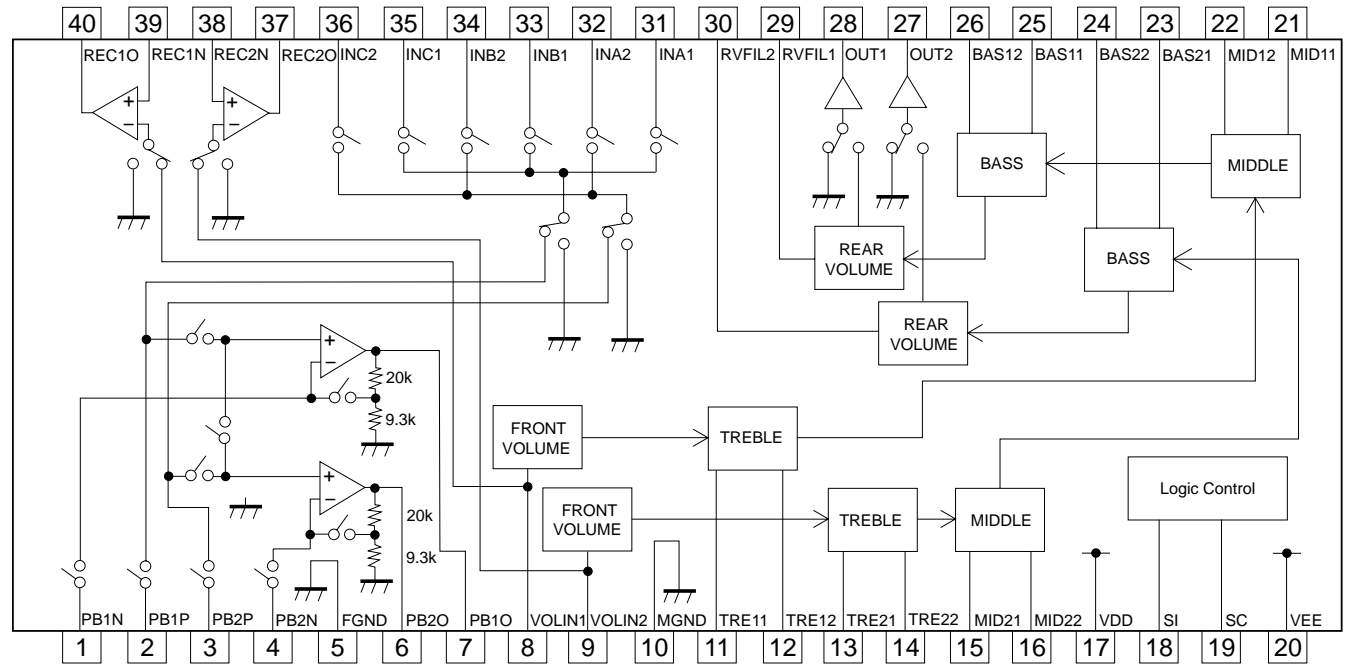
IC, BU4052BCF



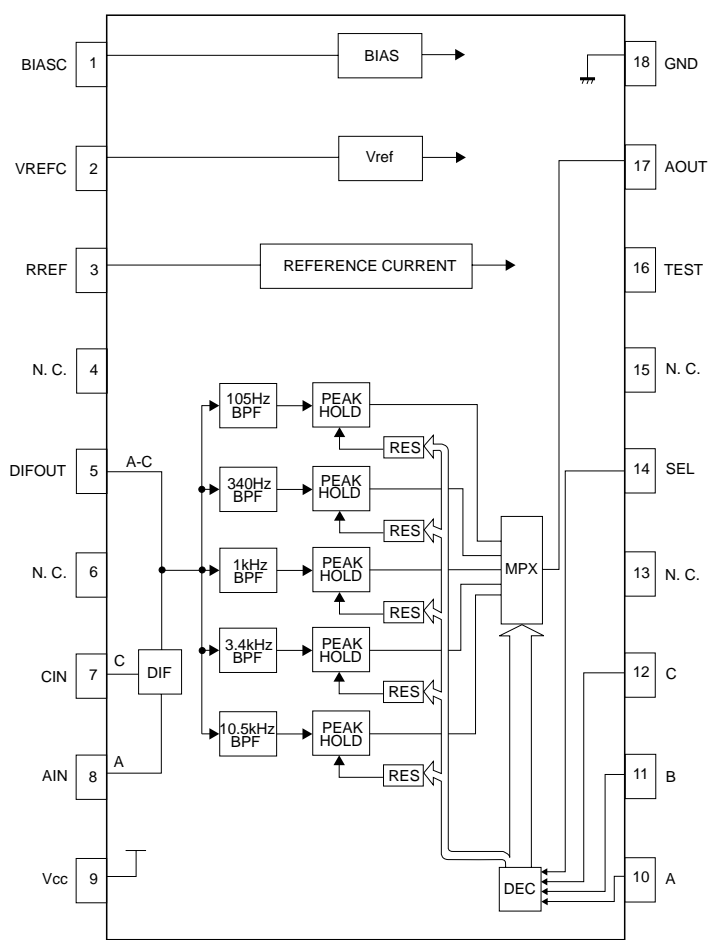
IC, LA1845N-A



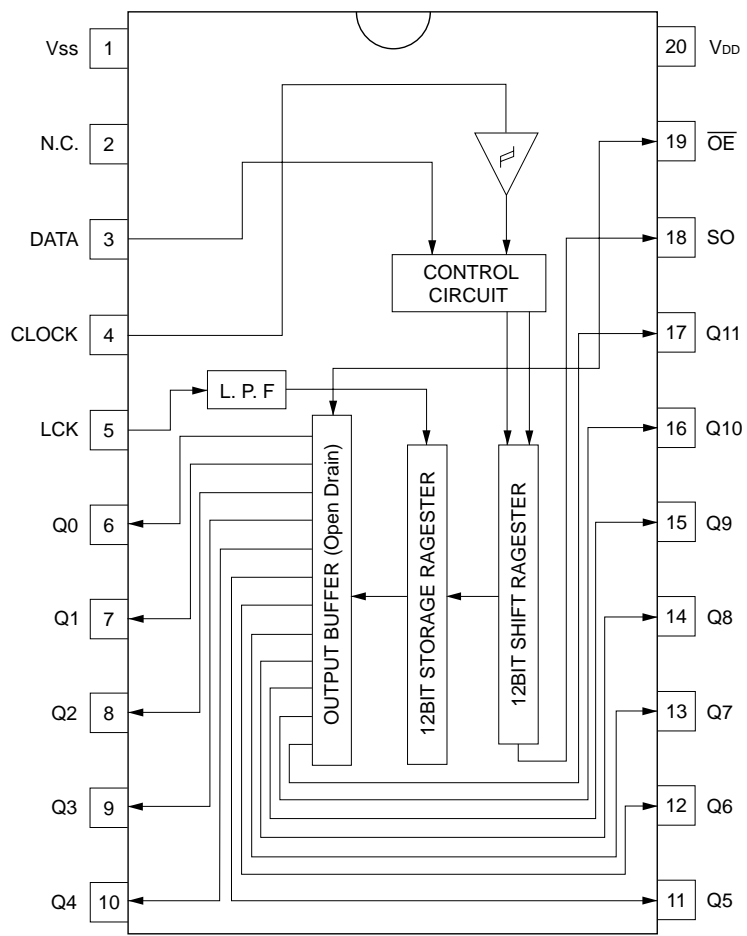
IC, BD3882FV



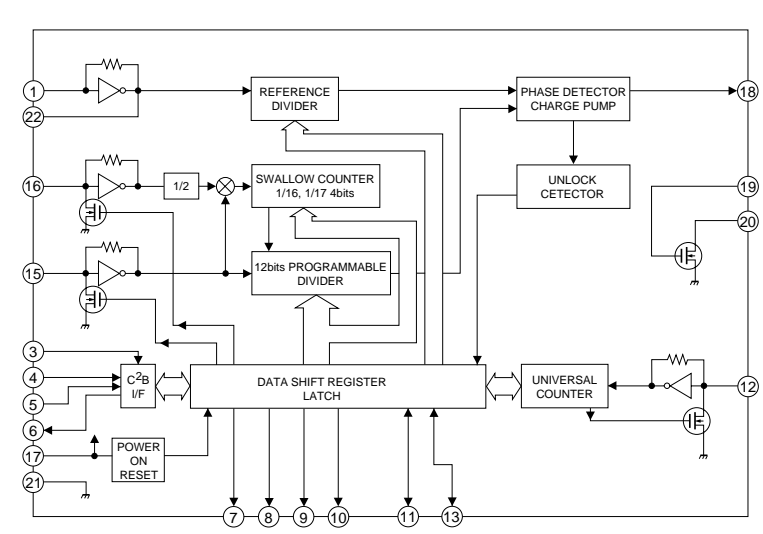
IC, BA3835F



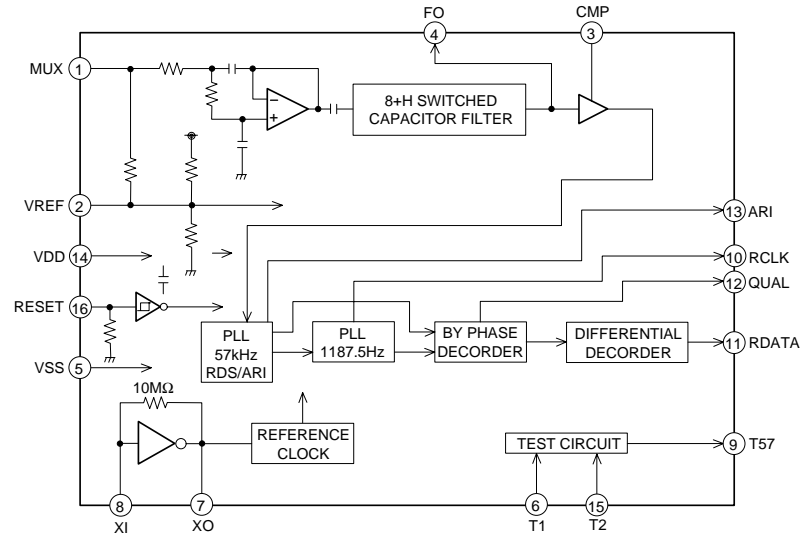
IC, BU2099FV



IC, LC72131D-N



IC, BU1920FS

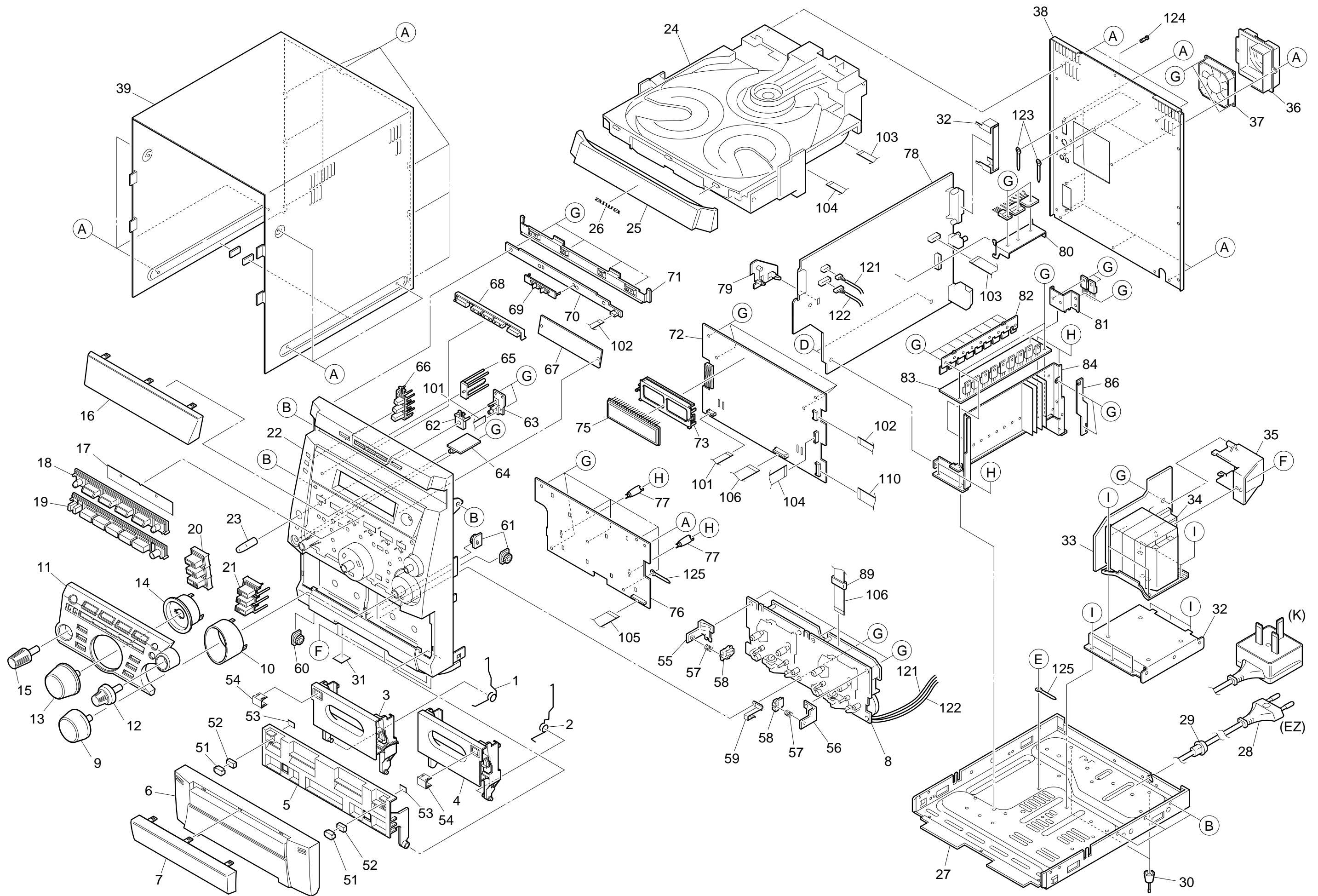


IC DESCRIPTION -1/1 (LC876670B-50H8) -1/2

| Pin No. | Pin Name | I/O | Description |
|---------|------------------|-----|---|
| 1 | I-DISH | I | CD turntable photo sensor input. |
| 2 | O-LED_STB | O | STB output for shift register. |
| 3 | I-STEREO | I | TUNER stereo input. |
| 4 | I-RDS_DATA | I | TUNER RDS data input (RDS only). |
| 5 | O-DSC/O-DATA | O | FRONT • MAIN IC data output. |
| 6 | O-CLK | O | FRONT • MAIN IC clock output. |
| 7 | O-CLK_SFT | O | MICON clock shift output. |
| 8 | O-CLK_FUNC | O | FUNCTION IC clock output. |
| 9 | I-IFC | I | TUNER IF count serial data input. |
| 10 | O-BIAS | O | DECK BIAS output. |
| 11 | RESET | – | System reset input. |
| 12 | I-TM_BASE | I | Reference clock input for timer watch. |
| 13 | I-SPEANA | I | Input spectrum analyzer data input. |
| 14 | VSS1 | – | GND |
| 15 | X1 | I | 9.43MHz oscillator circuit . |
| 16 | X2 | O | 9.43MHz oscillator circuit. |
| 17 | VDD1 | – | VDD |
| 18 | I-HOLD | I | Power failure detected input. |
| 19 | I-TRE | I | Rotary encoder TREBLE input. |
| 20 | I-BAS | I | Rotary encoder BASS input. |
| 21 | I-VOL | I | Rotary encoder VOLUME input. |
| 22 | I-JOG | I | Rotary encoder JOG input. |
| 23 | I-TU_SIG (I-MIC) | I | TUNER RDS signal input (RDS only) MIC input for the vocal fader (MIC only). |
| 24 | I-CDSW | I | CD mechanical switch A/D converter input. |
| 25 | I-KEY1 | I | KEY1 input. |
| 26 | I-KEY2 | I | KEY2 input. |
| 27 | I-KEY3 | I | KEY3 input. |
| 28 | I-RDS_CLK | I | TUNER RDS clock input (RDS only). |
| 29 | I-RMC | I | System remote control signal input. |
| 30 ~ 42 | G1 ~ G13 | O | FL grid output G1 ~ G13. |
| 43 ~ 45 | P1 ~ P3 | O | FL segment output G1 ~ G3. |
| 46 | VDD3 | – | VDD |
| 47 ~ 50 | P4 ~ P7 | O | FL segment output G4 ~ G7. |
| 51 | FIX0 | – | GND |
| 52 ~ 57 | P8 ~ P13 | O | FL segment output G8 ~ G13. |
| 58 | P14/SPEANA_C | O | FL segment output G14/SPEANA IC C output. |
| 59 | P15/SPEANA_B | O | FL segment output G15/SPEANA IC B output. |
| 60 | P16/SPEANA_A | O | FL segment output G16/SPEANA IC A output. |
| 61 | P17/RDS | O | FL segment output G17. |
| 62 | P18/OIRT | O | FL segment output G18. |
| 63 | P19/SW | O | FL segment output G19. |
| 64 | P20/AM9K | I/O | FL segment output G20/AM9K diode input. |

IC DESCRIPTION -1/1 (LC876670B-50H8) -2/2

| Pin No. | Pin Name | I/O | Description |
|---------|-------------|-----|--|
| 65 | P21/FMWIDE | O | FL segment output G21. |
| 66 | P22/LW | O | FL segment output G22. |
| 67 | P23/1+1 | I/O | FL segment output G23/1+1 diode input. |
| 68 | P24/R+1 | I/O | FL segment output G24/R+1 diode input. |
| 69 | P25/MPX | I/O | FL segment output G25/MPX diode input. |
| 70 | P26/ECO-OFF | I/O | FL segment output G26/ECO OFF diode input. |
| 71 | P27/DEMO | I/O | FL segment output G27/DEMO diode input. |
| 72 | VDD4 | – | VDD |
| 73 | P28/KARAOKE | I/O | FL segment output G28/KARAOKE diode input. |
| 74 | I-AUTO2 | I | DECK2 auto stop signal input. |
| 75 | I-AUTO1 | I | DECK1 auto stop signal input. |
| 76 | I-CST2 | I | DECK2 cassette detect switch data input. |
| 77 | I-CST1 | I | DECK1 cassette detect switch data input. |
| 78 | I-REB | I | DECK2 B side REC enable switch data input. |
| 79 | I-REA | I | DECK2 A side REC enable switch data input. |
| 80 | I-CAM2 | I | DECK2 CAM switch data input. |
| 81 | I-CAM1 | I | DECK1 CAM switch data input. |
| 82 | I-HPMUTE | O | Headphone MUTE output. |
| 83 | NC | – | Not connected. |
| 84 | NC | – | Not connected. |
| 85 | O-MOTOR | O | DECK motor ON/OFF output. |
| 86 | O-SOL1 | O | DECK1 solenoid output. |
| 87 | O-SOL2 | O | DECK2 solenoid output. |
| 88 | O-MUTE | O | System mute ON/OFF output. |
| 89 | VSS2 | – | GND |
| 90 | VDD2 | – | VDD |
| 91 | O-LINE_MUTE | O | Line mute output. |
| 92 | O-KSCAN | O | Segment input scan timing output. |
| 93 | O-PLL_CE | O | PLL IC chip enable output. |
| 94 | O-POWER | O | System power supply ON/OFF output. |
| 95 | O-CD_DATA | O | CD data output. |
| 96 | O-CD_CLK | O | CD clock output. |
| 97 | O-CD_CE | O | CD chip enable output. |
| 98 | I-SUBQ | I | CD SUBQ data input. |
| 99 | I-DRF | I | CD focus on detect data input. |
| 100 | I-WRQ | I | CD interruption signal input. |



MECHANICAL MAIN PARTS LIST -1/2

! = SAFETY PARTS
 C = Components marked

All components used on this model at the production line are shown in this service manual.

However, please note that not all components will be available as spare parts for after-sales service.

Components marked S and O are designated as spare parts for service and will be stocked at the spare parts centers.

Components marked X and R are not designated as spare parts for after sales service, and will not be stocked at the spare parts centers.

| UNIT-NAME | ! C | REF-NO | PARTS-NO | PARTS-NAME | SUFFIX&MODEL | |
|-----------|-----|---------|----------------|-----------------------------|--------------------|-------------------|
| | | | | | CX-SNTR99 EZSTC | CX-SNTR99 KSTC |
| | O | MC1001 | 8A-NF8-281-010 | SPR-T, EJECT 1 | a | b |
| | O | MC1002 | 8A-NF8-282-010 | SPR-T, EJECT 2 | a | b |
| | O | MC1003 | 8C-NFR-002-010 | BOX, CASS 1 | a | b |
| | O | MC1004 | 8C-NFR-003-010 | BOX, CASS 2 | a | b |
| | O | MC1005 | 8C-NFR-004-010 | BOX, DOOR | a | b |
| | O | MC1006 | 8C-NFR-005-010 | PANEL, DOOR | a | b |
| | O | MC1007 | 8C-NFR-006-010 | WINDOW, CASS | a | b |
| | X | MC1008 | M8-2ZM-38E-170 | 2ZM-3MK2 YPR9NC | a | b |
| | O | MC1009 | 8C-NFR-014-010 | KNOB, RTRY VOL | a | b |
| | O | MC1010 | 8C-NFR-007-010 | RING, VOL | a | b |
| | O | MC1011 | 8C-NFR-010-010 | PANEL, FR | a | b |
| | O | MC1012 | 8C-NFR-015-010 | KNOB, RTRY JOG | a | b |
| | O | MC1013 | 8C-NFR-016-010 | KNOB, RTRY BASS | a | b |
| | O | MC1014 | 8C-NFR-021-010 | PANEL, BASS | a | b |
| | O | MC1015 | 8C-NFR-017-010 | KNOB, RTRY TRE | a | b |
| | O | MC1016 | 8C-NFR-037-010 | WINDOW, DISPLAY RDS | a | b |
| | X | MC1017 | 8C-NFR-038-010 | SH, FUN | a | b |
| | O | MC1018 | 8C-NFR-032-010 | KEY, ASSY POWER | a | b |
| | X | MC1018a | 8C-NFR-011-010 | KEY, POWER | a | b |
| | X | MC1018b | 8C-NFR-019-010 | REFLECTOR, FUN | a | b |
| | | | | | CX-SNTR99 EZSTC | CX-SNTR99 KSTC |
| | O | MC1019 | 8C-NFR-013-010 | KEY, OPERATION | a | b |
| | O | MC1020 | 8C-NFR-046-110 | KEY ASSY, GEQ L | a | b |
| | X | MC1020a | 8C-NFR-022-110 | KEY, GEQ L | a | b |
| | X | MC1020b | 8C-NFR-033-110 | REFLECTOR, GEQ L | a | b |
| | O | MC1021 | 8C-NFR-047-110 | KEY ASSY, GEQ R | a | b |
| | X | MC1021a | 8C-NFR-023-110 | KEY, GEQ R | a | b |
| | X | MC1021b | 8C-NFR-034-110 | REFLECTOR, GEQ R | a | b |
| | O | MC1022 | 8C-NFR-001-010 | CABI, FR EZ | a | b |
| | O | MC1023 | 8C-NFR-028-010 | KNOB, RTRY MIC | a | b |
| | X | MC1024 | M8-BZG-587-070 | BZG-5 ZD4GNDC2 | a | b |
| | O | MC1025 | 8C-NFR-009-010 | PANEL, TRAY | a | b |
| | O | MC1026 | 87-B00-002-010 | BADGE, AIWA 30 ABS SIL | a | b |
| | X | MC1027 | 8C-NFR-216-010 | CHAS, MAIN CC FAN | a | b |
| | ! | MC1028 | 87-A80-157-210 | AC CORD ASSY, E BLK CC | a | b |
| | ! | MC1028a | 87-099-811-110 | PLUG, ADPTR CONV (K) | . | b |
| | O | MC1029 | 87-085-185-010 | BUSHING, AC CORD (E) CM-22B | . | b |
| | O | MC1030 | 8C-NFR-214-010 | FOOT, 20 FF-852-PP | a | b |
| | X | MC1031 | 86-NFZ-205-010 | CUSH, 12.5-15.5-2 (NP) | a | b |
| | X | MC1032 | 8C-NFR-217-010 | PLATE, PT | a | b |
| | X | MC1033 | 8C-NFR-655-010 | PWB, PT U/EZ 4M | a | b |
| | | | | | CX-SNTR99 EZSTC | CX-SNTR99 KSTC |
| | ! | MC1034 | 8C-NFR-642-010 | PT, EZ CNF-R | a | b |
| | O | MC1035 | 8B-NF1-203-010 | HLDR, PWB PT | a | b |
| | O | MC1036 | 8B-NF8-227-010 | HLDR, FAN | a | b |
| | O | MC1037 | 87-A91-751-010 | FAN, DSB0812M-S382 -400MM | a | b |
| | O | MC1038 | 8C-NFR-042-010 | PANEL, REAR EZSC | a | b |
| | O | MC1038 | 8C-NFR-044-010 | PANEL, REAR KSC | . | b |
| | O | MC1039 | 8C-NFR-024-010 | CABI, STEEL | a | b |
| | O | MC1051 | 8C-NFR-224-010 | COVER, MAGNET | a | b |
| | O | MC1052 | 8C-NFR-222-010 | MAGNET, BOX 11-6-4 | a | b |
| | X | MC1053 | 8C-NFR-225-010 | SH, 12.5-17.5-0.07 W/ADH | a | b |
| | O | MC1054 | 8C-NFR-223-010 | PLATE, BOX | a | b |
| | O | MC1055 | 87-NF4-216-010 | HLDR, LOCK 1 | a | b |
| | O | MC1056 | 87-NF4-217-110 | HLDR, LOCK 2 | a | b |
| | O | MC1057 | 86-NF9-224-010 | SPR-C, LOCK | a | b |
| | O | MC1058 | 82-NF5-229-010 | PLATE, LOCK (*) | a | b |
| | X | MC1059 | 8C-NFR-210-010 | PLATE, EARTH MECHA | a | b |
| | O | MC1060 | 8Z-NF6-210-010 | DMPR, 150 N | a | b |
| | O | MC1061 | 8A-NF8-209-010 | OIL-DMPR, 120 | a | b |
| | O | MC1062 | 8C-NFR-027-010 | PLATE, KNOB MIC | a | b |
| | X | MC1063 | 8C-NFR-624-010 | PWB, MIC NFR | a | b |
| | | | | | CX-SNTR99 EZSTC | CX-SNTR99 KSTC |
| | X | MC1064 | 8C-NFR-633-010 | PWB, HP EZ/K | a | b |
| | O | MC1065 | 8C-NFR-020-010 | REFLECTOR, ECO | a | b |
| | O | MC1066 | 8C-NFR-025-010 | KEY, RDS | a | b |
| | X | MC1067 | 8C-NFR-039-010 | SH, FL | a | b |
| | O | MC1068 | 8C-NFR-026-010 | KEY, ASSY CD | a | b |
| | X | MC1068a | 8C-NFR-012-010 | KEY, CD | a | b |
| | X | MC1068b | 8C-NFR-018-010 | REFLECTOR, CD | a | b |
| | O | MC1069 | 8C-NFR-201-010 | GUIDE, CD | a | b |
| | X | MC1070 | 8C-NFR-614-010 | PWB, FR CD-LED NFR | . | b |
| | O | MC1071 | 8C-NFR-204-010 | HLDR, CD | a | b |
| | X | MC1072 | 8C-NFR-613-010 | PWB, FR KEY NFR | a | b |
| | X | MC1073 | 8C-NFR-213-010 | GUIDE, FL | a | b |
| | X | MC1074 | 8C-ZA3-618-010 | SHLD-CASE, CZA-3 EZ S | a | b |
| | O | MC1075 | 8C-NFR-605-010 | FL, BP038GNK-CNFR | a | b |
| | X | MC1076 | 8C-NFR-612-010 | PWB, FR MICON NFR | a | b |
| | X | MC1077 | 8C-NFR-203-010 | HLDR, PWB FR | a | b |
| | X | MC1078 | 8C-NFR-632-010 | PWB, MAIN EZ/K | a | b |
| | O | MC1079 | 8A-NF8-206-010 | HLDR, PWB M | a | b |
| | X | MC1080 | 8C-NFR-209-110 | HT-SINK, DIODE | a | b |
| | X | MC1081 | 8C-NFR-226-010 | HT-SINK, FET | a | b |

MECHANICAL MAIN PARTS LIST -2/2

! = Δ SAFTY PARTS
 C = Components marked

All components used on this model at the production line are shown in this service manual.

However, please note that not all components will be available as spare parts for after-sales service.

Components marked S and O are designated as spare parts for service and will be stocked at the spare parts centers.

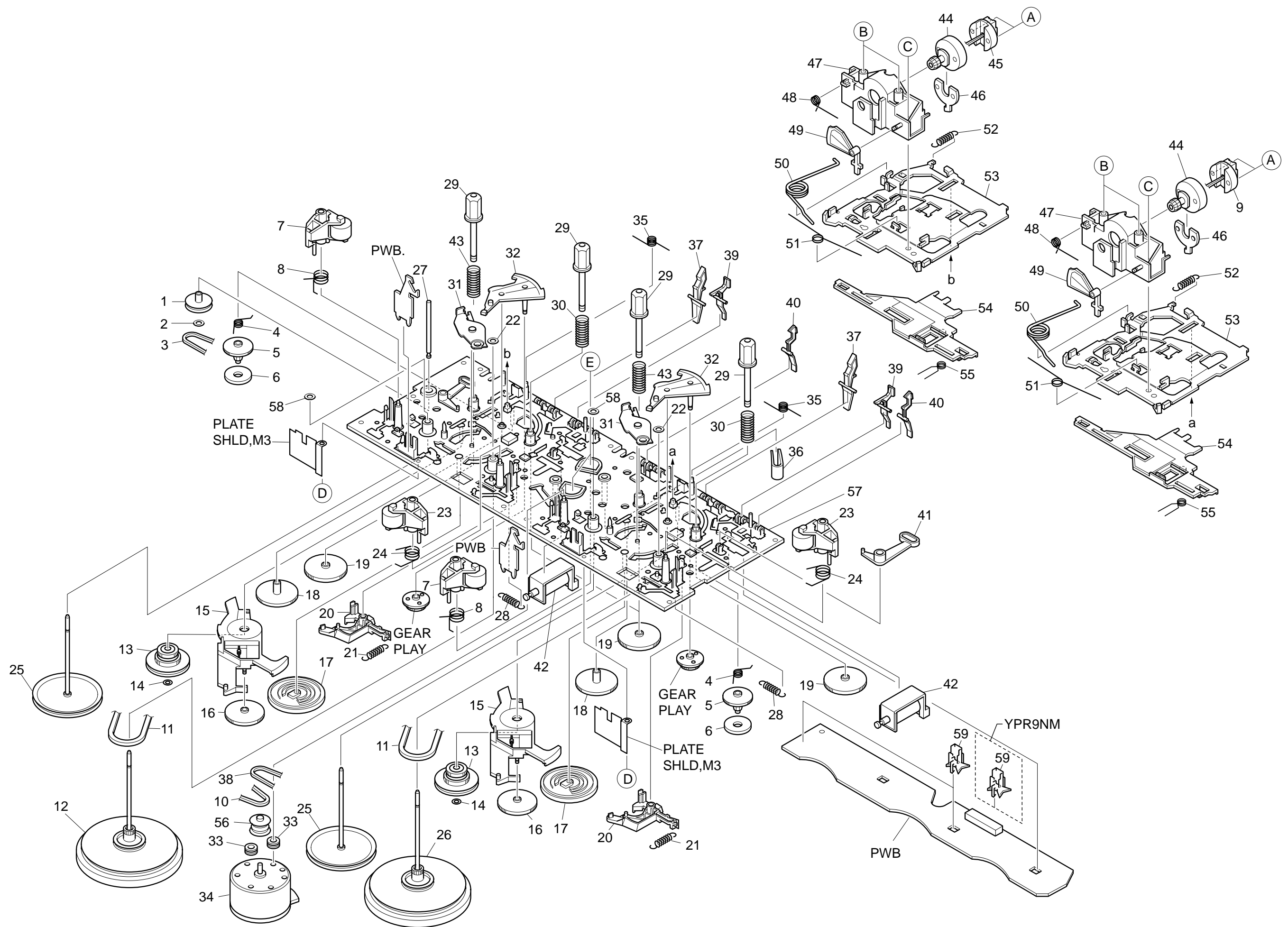
Components marked X and R are not designated as spare parts for after sales service, and will not be stocked at the spare parts centers.

| UNIT-NAME | ! C | REF-NO | PARTS-NO | PARTS-NAME | SUFFIX&MODEL | |
|-----------|-----|---------|----------------|--------------------------|--------------------|-------------------|
| | | | | | CX-SNTR99 EZSTC | CX-SNTR99 KSTC |
| | X | MC1082 | 8C-NFR-215-010 | HLDR, TR AMP 2 | a | b |
| | X | MC1083 | 8C-NFR-651-010 | PWB, AMP NFR 2M | a | b |
| | X | MC1084 | 8C-NFR-220-010 | HT-SINK, ASSY 180W | a | b |
| | X | MC1084a | 8C-NFR-205-010 | HT-SINK, MAIN T3 | a | b |
| | X | MC1084b | 8C-NFR-218-010 | HT-SINK, FIN138-34-T1 | a | b |
| | X | MC1086 | 8C-NFR-635-010 | PWB, HOLDR EZ/K | a | b |
| | O | MC1089 | 87-A92-438-010 | F-BEAD, SSC-33.5-8ED | a | b |
| | O | MC1101 | 88-905-151-110 | FF-CABLE, 5P 1.25 150MM | a | b |
| | O | MC1102 | 88-906-201-110 | FF-CABLE, 6P 1.25 | a | b |
| | O | MC1103 | 88-906-251-110 | FF-CABLE, 6P 1.25 | a | b |
| | O | MC1104 | 88-908-301-110 | FF-CABLE, 8P 1.25 300MM | a | b |
| | O | MC1105 | 88-913-101-110 | FF-CABLE, 13P 1.25 100MM | a | b |
| | O | MC1106 | 88-915-151-110 | FF-CABLE, 15P 1.25 150MM | a | b |
| | O | MC1121 | 87-NF6-615-010 | CONN ASSY, 3P PB | a | b |
| | O | MC1122 | 87-NF6-616-010 | CONN ASSY, 8P RPB | a | b |
| | O | MC1123 | 87-064-185-010 | HLDR, WIRE PVC 0.5 | a | b |
| | O | MC1124 | 87-084-077-010 | RIVET, NYL3.5-4.5 | a | b |
| | X | MC1125 | 87-064-080-010 | BINDER, WIRE | a | b |
| | O | MC1B | 87-721-096-410 | QT2+3-10 W/O SLOT | a | b |
| | O | MC1D | 87-NF4-224-010 | S-SCREW, IT3B+3-8 CU | a | b |
| | | | | | CX-SNTR99 EZSTC | CX-SNTR99 KSTC |
| | O | MC1E | 87-B10-315-010 | BVIT3B+3-8 R W/O | a | b |
| | O | MC1F | 87-743-095-410 | UT2+3-8 W/O SLOT BLK | a | b |
| | O | MC1G | 87-067-703-010 | BVT2+3-10 W/O SLOT | a | b |
| | O | MC1G | 87-067-703-010 | BVT2+3-10 W/O SLOT | a | b |
| | O | MC1G | 87-067-703-010 | BVT2+3-10 W/O SLOT | a | b |
| | O | MC1H | 87-067-581-010 | BVT2+3-15 W/O SLOT | a | b |
| | O | MC1I | 87-078-200-010 | S-SCREW, ITC+4-8 R | a | b |
| | O | MC1K | 88-AR1-217-010 | S-SCREW, BFT2+3-8 | a | b |

COLOR NAME TABLE -1/1

| Basic color symbol | Color | Basic color symbol | Color | Basic color symbol | Color |
|--------------------|-------------------|--------------------|--------------------|--------------------|--------------------|
| B | Black | C | Cream | D | Orange |
| G | Green | H | Gray | L | Blue |
| LT | Transparent Blue | N | Gold | P | Pink |
| R | Red | S | Silver | ST | Titan Silver |
| T | Brown | V | Violet | W | White |
| WT | Transparent White | Y | Yellow | YT | Transparent Yellow |
| LM | Metallic Blue | LL | Light Blue | GT | Transparent Green |
| LD | Dark Blue | DT | Transparent Orange | GM | Metallic Green |
| YM | Metallic Yellow | DM | Metallic Orange | PT | Transparent Pink |
| LA | Aqua Blue | GL | Light Green | HT | Transparent Gray |
| HM | Metallic Gray | NH | Champagne Gold | M | Wood Pattern |

TAPE MECHANISM EXPLODED VIEW -1/1 <2ZM-3MK2>



TAPE MECHANISM PARTS LIST -1/1 <ZM-3MK2 >

! = SAFETY PARTS
 C = Components marked

All components used on this model at the production line are shown in this service manual.

However, please note that not all components will be available as spare parts for after-sales service.

Components marked S and O are designated as spare parts for service and will be stocked at the spare parts centers.

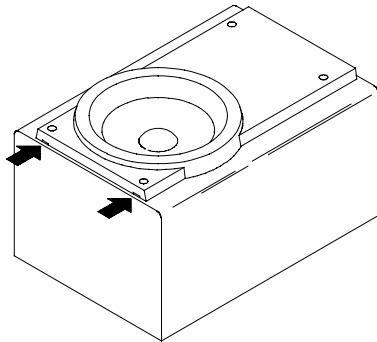
Components marked X and R are not designated as spare parts for after sales service, and will not be stocked at the spare parts centers.

| UNIT-NAME | ! C | REF-NO | PARTS-NO | PARTS-NAME | SUFFIX&MODEL |
|-----------|-----|--------|----------------|---------------------------|--------------------|
| | | | | | 2ZM-3MK2 YPR9NC |
| | O | ST1001 | 82-ZM3-335-310 | PULLEY, COUPLER M3 | a |
| | O | ST1002 | 87-B10-043-010 | W-P, 0.99-4-0.25 SLT | a |
| | O | ST1003 | 86-ZM1-206-010 | BELT, MAIN L | a |
| | O | ST1004 | 82-ZM1-322-010 | SPR-T, FR 60 | a |
| | O | ST1005 | 82-ZM1-220-210 | GEAR, IDLER | a |
| | O | ST1006 | 82-ZM3-616-010 | RING MAGNET 4 | a |
| | O | ST1007 | 82-ZM1-341-210 | LVR ASSY, PINCH L2 | a |
| | O | ST1008 | 82-ZM1-258-210 | SPR-T, PINCH L | a |
| | O | ST1009 | 87-A90-821-110 | HEAD, RPH HADKH56 FPC | a |
| | O | ST1010 | 82-ZM3-342-010 | BELT, SBU MOT 3 | a |
| | O | ST1011 | 82-ZM1-338-110 | BELT, FR 4 | a |
| | O | ST1012 | 09-001-420-010 | FLY-WHL, R ASSY | a |
| | O | ST1013 | 82-ZM3-333-310 | SLIP DISK ASSY 2 | a |
| | O | ST1014 | 82-ZM3-334-010 | PW 2.16-6-0.4 | a |
| | O | ST1015 | 82-ZM3-306-110 | LVR, FR M2 | a |
| | O | ST1016 | 82-ZM1-225-210 | GEAR, FR | a |
| | O | ST1017 | 82-ZM3-305-310 | GEAR, CAM M2 (*) | a |
| | O | ST1018 | 82-ZM1-226-010 | GEAR, REW | a |
| | O | ST1019 | 82-ZM1-216-510 | GEAR, REEL | a |
| | O | ST1020 | 82-ZM1-227-310 | LVR, TRIG | a |
| | | | | | 2ZM-3MK2 YPR9NC |
| | O | ST1021 | 82-ZM1-265-310 | SPR-E, TRIG | a |
| | O | ST1022 | 80-ZM6-243-010 | SH 1.75-3.6-0.5 SLT | a |
| | O | ST1023 | 82-ZM1-344-210 | LVR ASSY, PINCH R2 | a |
| | O | ST1024 | 82-ZM1-259-210 | SPR-T, PINCH R | a |
| | O | ST1025 | 82-ZM1-234-310 | FLY-WHL, L ASSY | a |
| | O | ST1026 | 82-ZM1-237-610 | FLY-WHL, R ASSY | a |
| | O | ST1027 | 82-ZM3-339-110 | SHAFT, COUPLER N3 | a |
| | O | ST1028 | 82-ZM1-255-310 | SPR-E, LVR DIR | a |
| | O | ST1029 | 82-ZM1-217-410 | REEL TABLE | a |
| | O | ST1030 | 82-ZM1-285-410 | SPR-C, BT L | a |
| | O | ST1031 | 82-ZM1-333-210 | PLATE, LINK2 | a |
| | O | ST1032 | 82-ZM1-222-310 | LVR, PLAY (*) | a |
| | O | ST1033 | 82-ZM3-307-010 | CUSH-G, DIA3.7-8-3.2 | a |
| | O | ST1034 | 87-045-347-010 | MOT, SHU2L 70 | a |
| | O | ST1035 | 82-ZM1-257-010 | SPR-T, CAS | a |
| | O | ST1036 | 82-ZM3-340-010 | SH, BELT D2 | a |
| | O | ST1037 | 82-ZM1-242-010 | LVR, CAS | a |
| | O | ST1038 | 82-ZM3-329-410 | BELT, SBU R2 | a |
| | O | ST1039 | 82-ZM1-243-010 | LVR, STOP | a |
| | O | ST1040 | 82-ZM1-240-110 | LVR, REC (*) | a |
| | | | | | 2ZM-3MK2 YPR9NC |
| | O | ST1041 | 82-ZM1-264-010 | LVR, EJECT R | a |
| | O | ST1042 | 82-ZM3-627-010 | SOL ASSY 27 SO | a |
| | O | ST1043 | 82-ZM1-244-510 | SPR-C, BT | a |
| | O | ST1044 | 82-ZM1-208-310 | HLDR, HEAD | a |
| | O | ST1045 | 87-A90-820-110 | HEAD, PH HADKH25 FPC | a |
| | O | ST1046 | 82-ZM1-314-110 | PLATE, HEAD | a |
| | O | ST1047 | 82-ZM1-207-910 | GUIDE, TAPE | a |
| | O | ST1048 | 82-ZM3-353-010 | SPR-T, HEAD 2 | a |
| | O | ST1049 | 82-ZM1-210-110 | GEAR, H T | a |
| | O | ST1050 | 82-ZM1-219-110 | SPR-T, LINK | a |
| | O | ST1051 | 82-ZM1-269-210 | SPR-T, BRG | a |
| | O | ST1052 | 82-ZM1-218-010 | SPR-E, HB | a |
| | O | ST1053 | 82-ZM1-206-910 | CHAS, HEAD | a |
| | O | ST1054 | 82-ZM1-266-310 | LVR, DIR | a |
| | O | ST1055 | 82-ZM1-214-010 | SPR-T, DIR | a |
| | O | ST1056 | 82-ZM3-221-210 | PULLEY, MOT 2M | a |
| | O | ST1057 | 82-ZM3-301-610 | CHAS ASSY, M2 | a |
| | O | ST1058 | 82-ZM1-288-010 | SH, 1.63-3.2-0.5 SLT | a |
| | O | ST1059 | 82-ZM1-245-210 | HLDR, IC <YPR9NF><YPR9NC> | a |
| | O | ST1A | 80-ZM6-207-010 | V+1.6-7 | a |
| | | | | | 2ZM-3MK2 YPR9NC |
| | O | ST1B | 86-ZM4-206-110 | S-SCREW, AZIMUTH L | a |
| | O | ST1C | 85-ZM3-202-010 | S-SCREW, TG | a |
| | O | ST1D | 82-ZM3-222-010 | S-SCREW, SHILD PLATE | a |
| | O | ST1E | 82-ZM3-318-110 | S-SCREW W, MOTOR M2 | a |

GENERAL SPEAKER DISASSEMBLY INSTRUCTIONS (FOR REFERENCE) -1/1

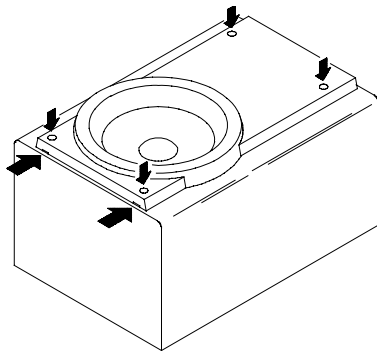
Type.1

Insert a flat-bladed screwdriver into the position indicated by the arrows and remove the panel. Remove the screws of each speaker unit and then remove the speaker units.



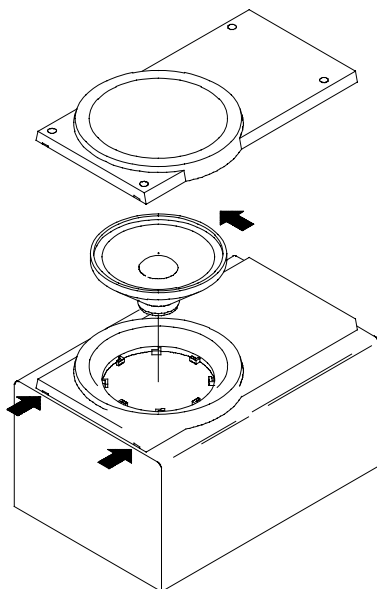
Type.2

Remove the grill frame and four pieces of rubber caps by pulling out with a flat-bladed screwdriver. Remove the screws from hole where installed rubber caps. Insert a flat-bladed screwdriver into the position indicated by the arrows and remove the panel. Remove the screws of each speaker unit and then remove the speaker units.

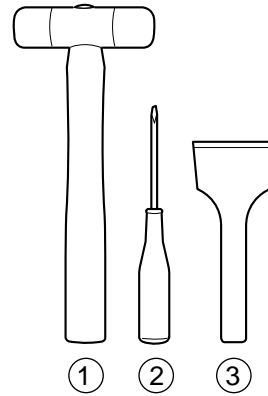


Type.3

Insert a flat-bladed screwdriver into the position indicated by the arrows and remove the panel. Turn the speaker unit to counter-clockwise direction while inserting a flat-bladed screwdriver into one of the hollows around speaker unit, and then remove the speaker unit. After replacing the speaker unit, install it turning to clockwise direction until "click" sound comes out.



Type.4



TOOLS

- ① Plastic head hammer
- ② ⊖ flat head screwdriver
- ③ Cut chisel

How to Remove the PANEL, FR

1. Insert the ⊖ flat head screwdriver tip into the gap between the PANEL, FR and the PANEL, SPKR. Tap the head of the ⊖ flat head screwdriver with the plastic hammer head, and create the clearance as shown in Fig-1.
2. Insert the cut chisel in the clearance, and tap the head of the cut chisel with plastic hammer as shown in Fig-2, to remove the PANEL, FR.
3. Place the speaker horizontally. Tap head of the cut chisel with plastic hammer as shown in Fig-3, and remove the PANEL, FR completely.

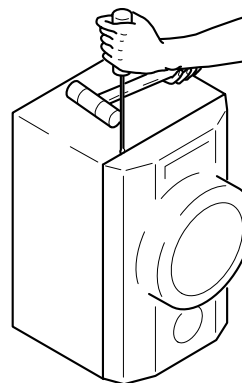


Fig-1

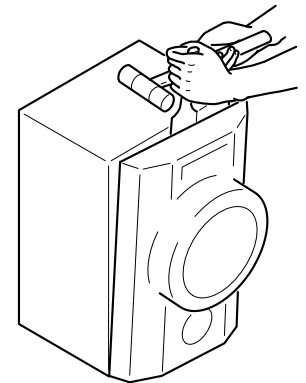


Fig-2

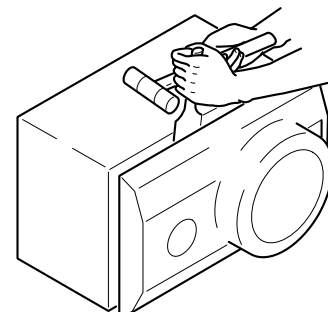


Fig-3

How to Attach the PANEL, FR

Attach the PANEL, FR to the PANEL, SPKR. Tap the four corners of the PANEL, FR with the plastic hammer to fit the PANEL, FR into the PANEL, SPKR completely.

SPEAKER PARTS LIST -1/1 <SX-SNTR99>

! = Δ SAFETY PARTS

C = Components marked

All components used on this model at the production line are shown in this service manual.

However, please note that not all components will be available as spare parts for after-sales service.

Components marked S and O are designated as spare parts for service and will be stocked at the spare parts centers.

Components marked X and R are not designated as spare parts for after sales service, and will not be stocked at the spare parts centers.

| UNIT-NAME | ! C | REF-NO | PARTS-NO | PARTS-NAME | SUFFIX&MODEL |
|-----------|-----|--------|----------------|-------------------------|--------------|
| | | | | | SX-SNTR99 |
| | | | | | YSTN |
| | O | SP1001 | 88-NSK-610-010 | SPKR, CERAMIC ASSY | a |
| | O | SP1002 | 8A-NSJ-006-110 | BADGE,AIWA S35 | a |
| | O | SP1003 | 8C-NSR-612-010 | CORD,SPKR R/B | a |
| | O | SP1004 | 8C-NSR-614-010 | CORD,SPKR L/B | a |
| | O | SP1005 | 8C-NSR-610-010 | SPKR, T 80 | a |
| | O | SP1006 | 8C-NSR-604-010 | SPKR, W 140 30/4 | a |
| | O | SP1007 | 8C-NSR-606-010 | SPKR, W 140 25/4 HIGH S | a |
| | O | SP1008 | 8C-NSR-608-010 | SPKR, W 140 25/4 B | a |
| | O | SP1009 | 8C-NSR-018-010 | PANEL,FR R | a |
| | O | SP1010 | 8C-NSR-005-010 | PANEL,FR L | a |
| | O | SP1011 | 8C-NSR-006-010 | PANEL, TOP | a |
| | X | SP1012 | 8C-NSR-003-010 | PANEL,BA | a |
| | O | SP1013 | 8C-NSR-007-010 | PLATE,NAME | a |
| | O | SP1014 | 8C-NSR-012-010 | PROTECTOR, W | a |
| | X | SP1015 | 8Z-NS3-026-010 | CORD,BUSH L | a |
| | O | SP1016 | 8C-NSR-001-010 | CABI,ASSY | a |
| | O | SP1017 | 8C-NSR-011-010 | HLDR,TW | a |
| | O | SP1018 | 8C-NSR-008-010 | RING,W | a |
| | O | SP1019 | 8C-NSR-009-010 | RING,TW | a |
| | O | SP1020 | 8C-NSR-010-010 | RING,PIEZO | a |

OTHER PARTS LIST -1/2

- ! = Δ SAFETY PARTS
- C = Components marked

All components used on this model at the production line are shown in this service manual.
 However, please note that not all components will be available as spare parts for after-sales service.
 Components marked S and O are designated as spare parts for service and will be stocked at the spare parts centers.
 Components marked X and R are not designated as spare parts for after sales service, and will not be stocked at the spare parts centers.

| UNIT-NAME | ! C | REF-NO | PARTS-NO | PARTS-NAME | SUFFIX&MODEL | |
|-----------|-----|--------|----------------|-----------------------------|--------------|-----------|
| | | | | | | |
| | | | | | CX-SNTR99 | CX-SNTR99 |
| | | | | | EZSTC | KSTC |
| | X | | 8C-NFR-233-010 | CUSH, 10-20-2.8 W/ADH | a | b |
| | X | | 87-B40-426-010 | SH, 20-5-0.65 W/ADH | a | b |
| | X | | 87-B40-447-010 | SH, 28-10-0.35 W/ADH | a | b |
| | X | | 87-B40-098-010 | BAG, PV 0.025-650-750 PL | a | b |
| | X | | 93-704-337-010 | SH, FOAMED-MAT 0.31-800-500 | a | b |
| | X | | 80-MQ1-209-010 | CLOTH, 20-7 | a | b |
| | X | | 8C-NFR-851-010 | CUSHION, FRONT C | a | b |
| | X | | 8C-NFR-852-010 | CUSHION, REAR C | a | b |
| | X | | 87-B40-281-010 | LBL, BAR-CODE A 35X8 | a | b |
| | X | | 8C-NFR-232-010 | SH, SHLD HP CU W/ADH | a | b |
| | X | | 87-056-168-010 | SH, CAUTION INF-WARR (EC) | a | b |
| | X | | 8C-NFR-973-010 | LBL, POP EZ | a | b |
| | X | | 87-B40-057-010 | BAG, PP 0.03-150-200 | a | . |

OTHER PARTS LIST -2/2 <TAPE MECHANISM 2ZM-3MK2>

- ! = Δ SAFTY PARTS
- C = Components marked

All components used on this model at the production line are shown in this service manual.
 However, please note that not all components will be available as spare parts for after-sales service.
 Components marked S and O are designated as spare parts for service and will be stocked at the spare parts centers.
 Components marked X and R are not designated as spare parts for after sales service, and will not be stocked at the spare parts centers.

| UNIT-NAME | ! C | REF-NO | PARTS-NO | PARTS-NAME | SUFFIX&MODEL |
|-----------|-----|--------|----------------|----------------------|--------------|
| | | | | | 2ZM-3MK2 |
| | X | | 82-ZM3-987-010 | BAG, PV 0.04-300-210 | YPR9NC a |

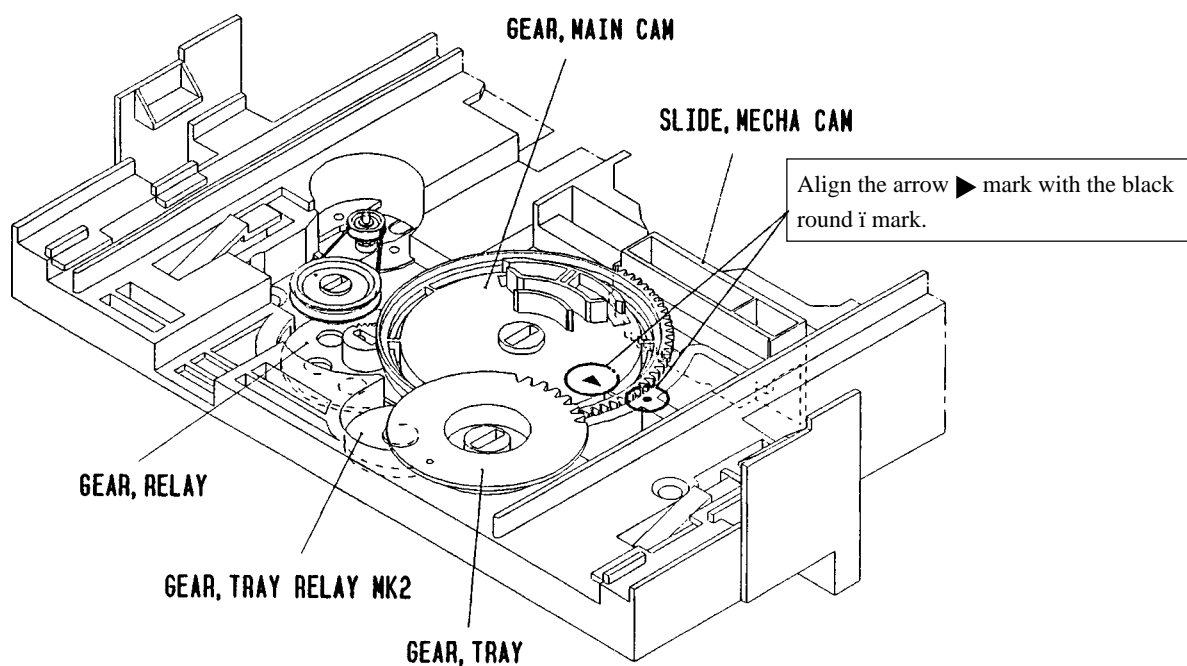
CD MECHANISM SECTION

CD MECHANISM SECTION

How to Adjust the Rotating Phase of the Gear, Main Cam

- 1) Push down the hooking catch of the CHAS. MECH, and remove the TRAY.
- 2) Align the arrow mark of the Gear, Main Cam with the black round mark of the CHAS, MECHA as shown below.
- 3) Confirm that the Slide, Mech Cam is located in the right position, then insert the TRAY gently.

Caution: If the rotating phase of the Gear, Main Cam is incorrectly adjusted, the chucking operation and tray movement will have malfunction.



ELECTRICAL PARTS LIST -1/3

! = SAFETY PARTS
 C = Components marked

All components used on this model at the production line are shown in this service manual.

However, please note that not all components will be available as spare parts for after-sales service.

Components marked S and O are designated as spare parts for service and will be stocked at the spare parts centers.

Components marked X and R are not designated as spare parts for after sales service, and will not be stocked at the spare parts centers.

| UNIT-NAME | ! C | REF-NO | PARTS-NO | PARTS-NAME | SUFFIX&MODEL |
|-----------|------|--------|----------------|---------------------------|------------------|
| | | | | | CZA-1 ZD4NDC2 |
| 3CD | O C | 1 | 87-010-759-080 | C-CAP,U 0.1-25 Z F CM/CB | a |
| 3CD | O C | 101 | 87-A10-504-080 | C-CAP,U 0.047-16 K B | a |
| 3CD | O C | 102 | 87-010-759-080 | C-CAP,U 0.1-25 Z F CM/CB | a |
| 3CD | O C | 103 | 87-012-195-080 | C-CAP,U 100P-50 J CH GRM | a |
| 3CD | O C | 104 | 87-012-282-080 | C-CAP,U 4700P-50 K B GRM | a |
| 3CD | O C | 105 | 87-010-759-080 | C-CAP,U 0.1-25 Z F CM/CB | a |
| 3CD | O C | 106 | 87-010-263-080 | CAP,E 100-10 M 11L SME | a |
| 3CD | O C | 107 | 87-010-263-080 | CAP,E 100-10 M 11L SME | a |
| 3CD | O C | 108 | 87-010-759-080 | C-CAP,U 0.1-25 Z F CM/CB | a |
| 3CD | O C | 109 | 87-010-263-080 | CAP,E 100-10 M 11L SME | a |
| 3CD | O C | 110 | 87-010-405-080 | CAP,E 10-50 M 11L SME | a |
| 3CD | O C | 111 | 87-010-401-080 | CAP,E 1-50 M 11L SME | a |
| 3CD | O C | 114 | 87-012-188-080 | C-CAP,U 47P-50 J CH GRM | a |
| 3CD | O C | 115 | 87-010-759-080 | C-CAP,U 0.1-25 Z F CM/CB | a |
| 3CD | O C | 116 | 87-010-263-080 | CAP,E 100-10 M 11L SME | a |
| 3CD | O C | 117 | 87-010-263-080 | CAP,E 100-10 M 11L SME | a |
| 3CD | O C | 118 | 87-010-759-080 | C-CAP,U 0.1-25 Z F CM/CB | a |
| 3CD | O C | 121 | 87-010-263-080 | CAP,E 100-10 M 11L SME | a |
| 3CD | O C | 122 | 87-010-759-080 | C-CAP,U 0.1-25 Z F CM/CB | a |
| 3CD | O C | 123 | 87-012-169-080 | C-CAP,U 7P-50 D CH | a |
| | | | | | CZA-1 ZD4NDC2 |
| 3CD | O C | 124 | 87-012-172-080 | C-CAP,U 10P-50 D CH | a |
| 3CD | O C | 125 | 87-016-083-080 | C-CAP,S 0.15-16 K R | a |
| 3CD | O C | 126 | 87-010-263-080 | CAP,E 100-10 M 11L SME | a |
| 3CD | O C | 127 | 87-010-759-080 | C-CAP,U 0.1-25 Z F CM/CB | a |
| 3CD | O C | 128 | 87-A10-504-080 | C-CAP,U 0.047-16 K B | a |
| 3CD | O C | 129 | 87-010-403-080 | CAP,E 3.3-50 M 11L SME | a |
| 3CD | O C | 130 | 87-010-759-080 | C-CAP,U 0.1-25 Z F CM/CB | a |
| 3CD | O C | 131 | 87-010-759-080 | C-CAP,U 0.1-25 Z F CM/CB | a |
| 3CD | O C | 132 | 87-010-263-080 | CAP,E 100-10 M 11L SME | a |
| 3CD | O C | 133 | 87-010-405-080 | CAP,E 10-50 M 11L SME | a |
| 3CD | O C | 134 | 87-010-759-080 | C-CAP,U 0.1-25 Z F CM/CB | a |
| 3CD | O C | 135 | 87-010-260-080 | CAP,E 47-25 M 11L SME | a |
| 3CD | O C | 136 | 87-010-759-080 | C-CAP,U 0.1-25 Z F CM/CB | a |
| 3CD | O C | 137 | 87-A10-915-080 | C-CAP,U 1000P-25 J CH | a |
| 3CD | O C | 138 | 87-012-349-080 | C-CAP,S 1000P-50 J CH GRM | a |
| 3CD | O C | 2 | 87-010-263-080 | CAP,E 100-10 M 11L SME | a |
| 3CD | O C | 203 | 87-010-112-080 | CAP,E 100-16 M 11L SME | a |
| 3CD | O C | 204 | 87-010-759-080 | C-CAP,U 0.1-25 Z F CM/CB | a |
| 3CD | O C | 205 | 87-010-263-080 | CAP,E 100-10 M 11L SME | a |
| 3CD | O C | 208 | 87-010-759-080 | C-CAP,U 0.1-25 Z F CM/CB | a |
| | | | | | CZA-1 ZD4NDC2 |
| 3CD | O C | 212 | 87-010-405-080 | CAP,E 10-50 M 11L SME | a |
| 3CD | O C | 213 | 87-010-759-080 | C-CAP,U 0.1-25 Z F CM/CB | a |
| 3CD | O C | 3 | 87-A10-915-080 | C-CAP,U 1000P-25 J CH | a |
| 3CD | O C | 301 | 87-010-382-080 | CAP,E 22-25 M 11L SME | a |
| 3CD | O C | 302 | 87-010-759-080 | C-CAP,U 0.1-25 Z F CM/CB | a |
| 3CD | O C | 303 | 87-010-260-080 | CAP,E 47-25 M 11L SME | a |
| 3CD | O C | 304 | 87-010-759-080 | C-CAP,U 0.1-25 Z F CM/CB | a |
| 3CD | O C | 305 | 87-012-274-080 | C-CAP,U 1000P-50 K B GRM | a |
| 3CD | O C | 306 | 87-A11-567-080 | C-CAP,S 0.01-50 K B | X a |
| 3CD | O C | 4 | 87-010-759-080 | C-CAP,U 0.1-25 Z F CM/CB | a |
| 3CD | O C | 401 | 87-012-195-080 | C-CAP,U 100P-50 J CH GRM | a |
| 3CD | O C | 402 | 87-012-195-080 | C-CAP,U 100P-50 J CH GRM | a |
| 3CD | O C | 403 | 87-012-195-080 | C-CAP,U 100P-50 J CH GRM | a |
| 3CD | O C | 404 | 87-012-195-080 | C-CAP,U 100P-50 J CH GRM | a |
| 3CD | O C | 405 | 87-012-195-080 | C-CAP,U 100P-50 J CH GRM | a |
| 3CD | O C | 5 | 87-010-263-080 | CAP,E 100-10 M 11L SME | a |
| 3CD | O C | 6 | 87-010-405-080 | CAP,E 10-50 M 11L SME | a |
| 3CD | O CN | 1 | 87-A60-429-010 | CONN,16P H TOC-A | a |
| 3CD | O CN | 201 | 84-ZG1-648-010 | CONN ASSY,6P | a |
| 3CD | O CN | 202 | 87-A60-130-010 | CONN,5P V FE | a |
| | | | | | CZA-1 ZD4NDC2 |
| 3CD | O CN | 301 | 87-A60-154-010 | CONN,6P H FE | a |
| 3CD | O CN | 401 | 87-099-201-010 | CONN,8P H BLK 6216 | a |
| 3CD | S D | 101 | 87-A40-743-080 | ZENER,UZ4.3BSA | a |
| 3CD | S D | 102 | 87-020-465-080 | DIODE,1SS133 | a |
| 3CD | S D | 301 | 87-A40-753-080 | ZENER,UZ6.8BSB | a |
| 3CD | S D | 302 | 87-A40-313-080 | C-DIODE,MC2840 | a |
| 3CD | S IC | 101 | 87-A21-821-130 | C-IC,LC78645NE | a |
| 3CD | S IC | 201 | 87-A21-822-010 | IC,LA6568 | a |
| 3CD | O L | 101 | 87-005-469-080 | COIL,4.7UH J FLR50 | a |
| 3CD | S Q | 1 | 87-026-609-080 | TR,KTA1266GR | a |
| 3CD | S Q | 101 | 87-026-610-080 | TR,KTC3198GR | a |
| 3CD | S Q | 301 | 87-A30-076-080 | C-TR,2SC3052F | a |
| 3CD | S Q | 302 | 87-A30-515-080 | TR,2SA19790/Y | a |
| 3CD | S Q | 303 | 87-A30-515-080 | TR,2SA19790/Y | a |
| 3CD | S Q | 304 | 87-A30-515-080 | TR,2SA19790/Y | a |
| 3CD | S Q | 305 | 87-A30-515-080 | TR,2SA19790/Y | a |
| 3CD | S Q | 306 | 87-A30-515-080 | TR,2SA19790/Y | a |
| 3CD | S Q | 307 | 87-A30-075-080 | C-TR,2SA1235F | a |
| 3CD | O R | 104 | 87-012-286-080 | C-CAP,U 0.01-25 K B GRM | a |
| 3CD | O R | 106 | 87-012-274-080 | C-CAP,U 1000P-50 K B GRM | a |

ELECTRICAL PARTS LIST -2/3

- ! = Δ SAFTY PARTS
- C = Components marked

All components used on this model at the production line are shown in this service manual.
 However, please note that not all components will be available as spare parts for after-sales service.
 Components marked S and O are designated as spare parts for service and will be stocked at the spare parts centers.
 Components marked X and R are not designated as spare parts for after sales service, and will not be stocked at the spare parts centers.

| UNIT-NAME | ! C | REF-NO | PARTS-NO | PARTS-NAME | SUFFIX&MODEL |
|-----------|-----|--------|----------------|-----------------------------|--------------|
| | | | | | CZA-1 |
| | | | | | ZD4NDC2 |
| 3CD | O | SW 401 | 87-036-109-010 | SW,MICRO SPPB61 | a |
| 3CD | O | SW 402 | 87-036-109-010 | SW,MICRO SPPB61 | a |
| 3CD | O | X 101 | 87-A70-318-010 | VIB,XTAL 33.8688MHZ CSA-309 | a |
| T.T | O | C 401 | 87-A11-148-080 | CAP,TC U 0.1-50 Z F | a |
| T.T | O | CON401 | 86-NFZ-675-010 | CONN,5P H 6216-11H | a |
| T.T | O | M 401 | 87-045-364-010 | MOT,BCH3B | a |
| T.T | O | PS 401 | 87-A90-156-010 | SNSR,SG-240 | a |
| T.T | X | R 408 | 88-121-561-080 | RES,560-1/8W J | a |
| T.T | X | R 409 | 88-121-273-080 | RES,27K-1/8W J | a |
| MOTOR | O | M 2 | 9X-262-513-210 | 2M SLED MOTOR | a |
| MOTOR | O | PIN3 | 91-564-722-110 | 1C CONNECTOR 6P | a |
| MOTOR | O | SW 1 | 91-572-085-110 | 1B LEAF SW | a |

ELECTRICAL PARTS LIST-3/3

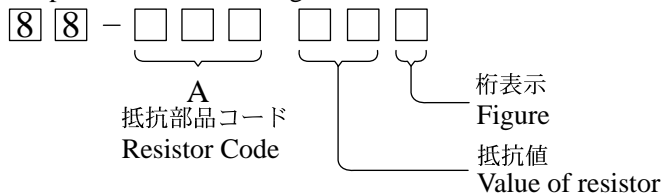
Regarding connectors, they are not stocked as they are not the initial order items.

The connectors are available after they are supplied from connector manufacturers upon the order is received.

○チップ抵抗部品コード/CHIP RESISTOR PART CODE

チップ抵抗部品コードの成り立ち

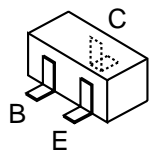
Chip Resistor Part Coding



チップ抵抗 Chip resistor

| 容量 Wattage | 種類 Type | 許容誤差 Tolerance | 記号 Symbol | 寸法/Dimensions (mm) | | | 抵抗コード : A Resistor Code : A | |
|---------------|------------|-------------------|--------------|--------------------|-----|------|--------------------------------|-----|
| | | | | 外形/Form | L | W | | t |
| 1/16W | 1005 | ± 5% | CJ | | 1.0 | 0.5 | 0.35 | 104 |
| 1/16W | 1608 | ± 5% | CJ | | 1.6 | 0.8 | 0.45 | 108 |
| 1/10W | 2125 | ± 5% | CJ | | 2 | 1.25 | 0.45 | 118 |
| 1/8W | 3216 | ± 5% | CJ | | 3.2 | 1.6 | 0.55 | 128 |

TRANSISTOR ILLUSTRATION-1/1

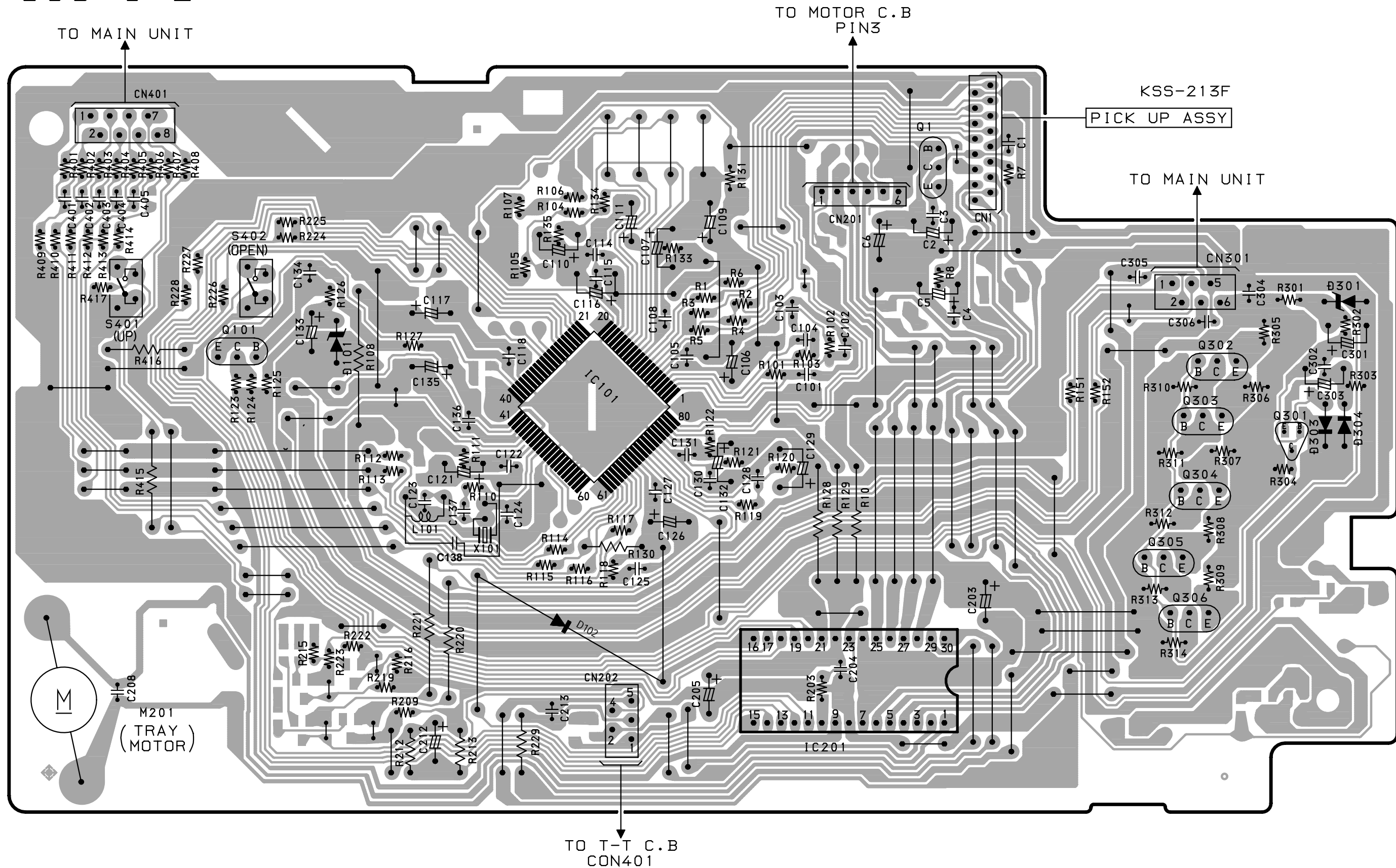


2SC3052
2SA1235

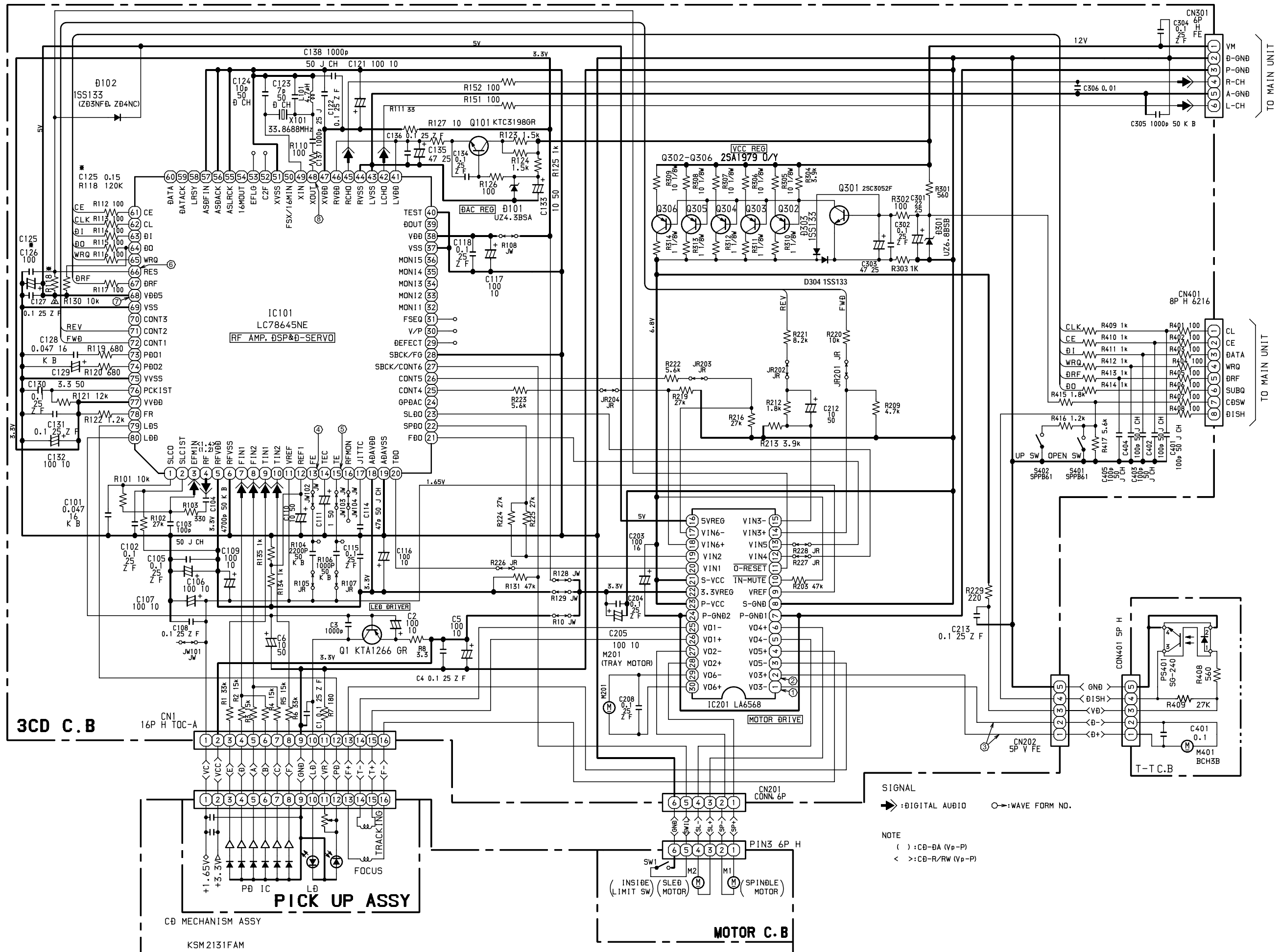


KTA1266
KTC3198
2SA19790

3CD C.B



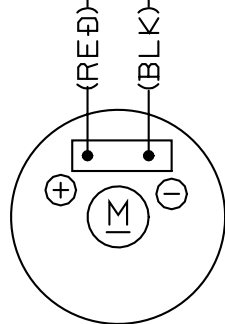
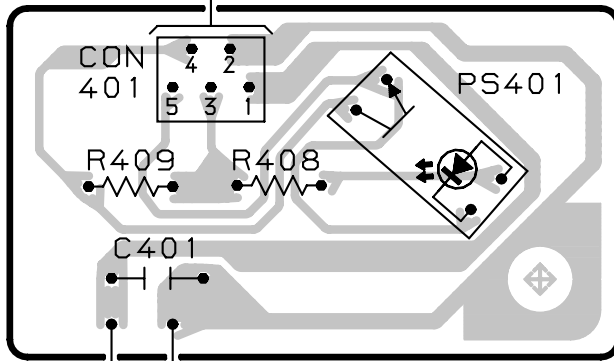
A
B
C
D
E
F
G
H
I
J
K
L
M
N
O
P
Q
R
S
T
U



| | | | | | | | | | | | | | | |
|----|----|----|----|----|----|---|---|---|---|---|---|---|---|---|
| 15 | 14 | 13 | 12 | 11 | 10 | 9 | 8 | 7 | 6 | 5 | 4 | 3 | 2 | 1 |
|----|----|----|----|----|----|---|---|---|---|---|---|---|---|---|

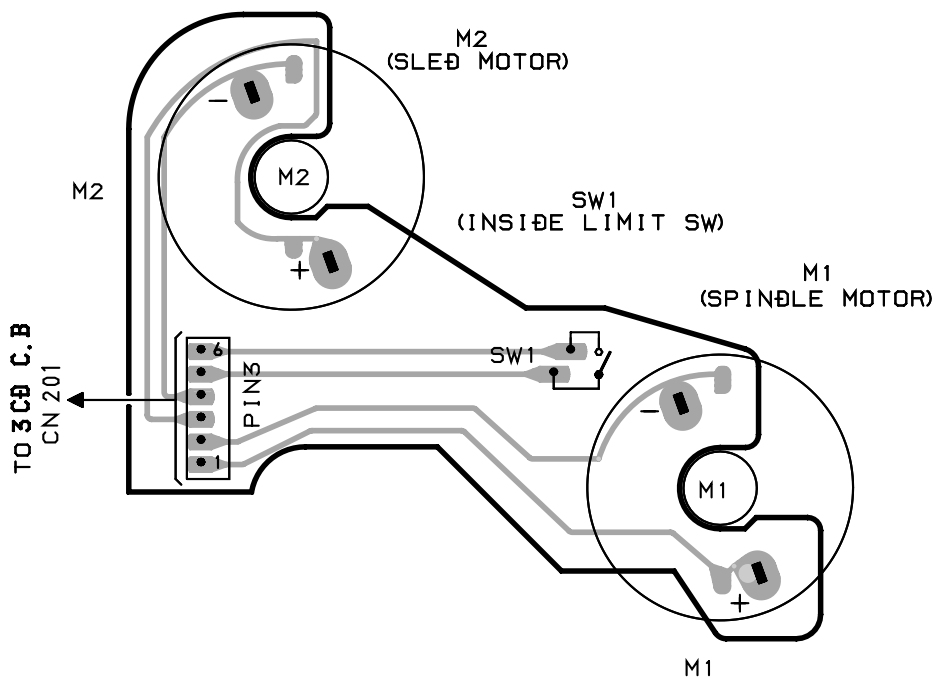
T-T C.B

TO 3CØ C.B
CN202



M401
(TURN TABLE)
MOTOR

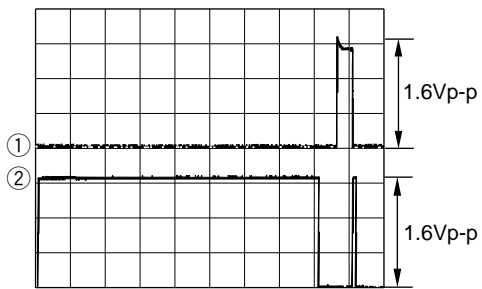
MOTOR C.B



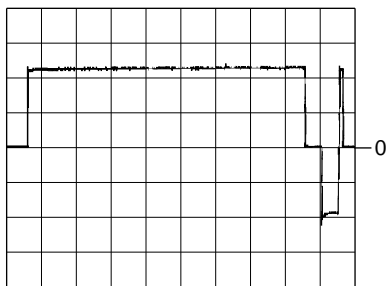
A
B
C
D
E
F
G
H
I
J
K
L
M
N
O
P
Q
R
S
T
U

WAVE FORM

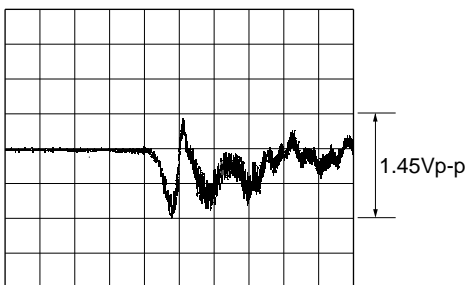
① IC201 ① (Vo3-) VOLT/DIV: 500mV
 ② IC201 ② (Vo3+) TIME/DIV: 200mS



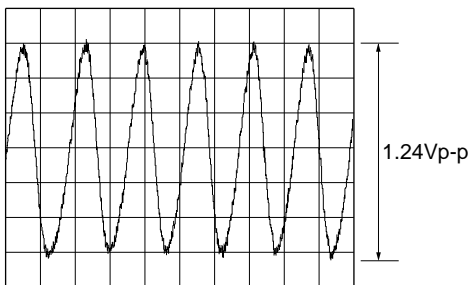
③ Between CN202 ① and ② (② Pin: 0 Level) VOLT/DIV: 1V
 TIME/DIV: 200mS



④ IC101 ⑬ (FE) VOLT/DIV: 500mV
 TIME/DIV: 5mS

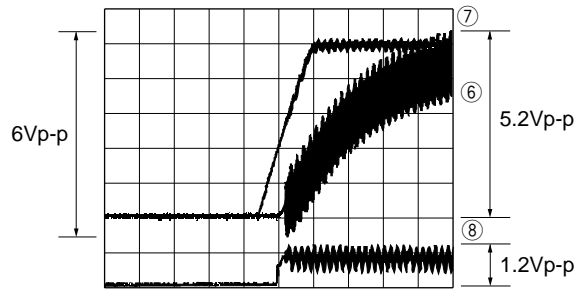


⑤ IC101 ⑮ (TE) VOLT/DIV: 200mV
 TIME/DIV: 200μS



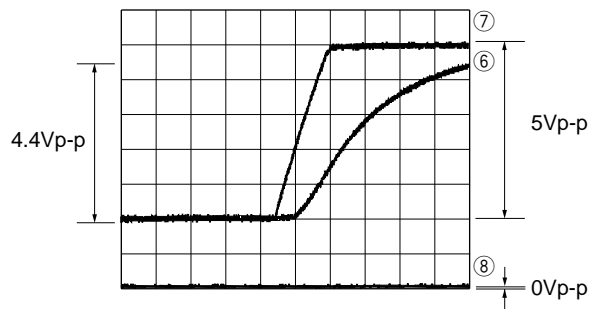
⑥ IC101 ⑥⑥ (RES) VOLT/DIV: 1V
 ⑦ IC101 ⑥⑧ (VDD5) TIME/DIV: 10mS

⑧ IC101 ④⑧ (XOUT)

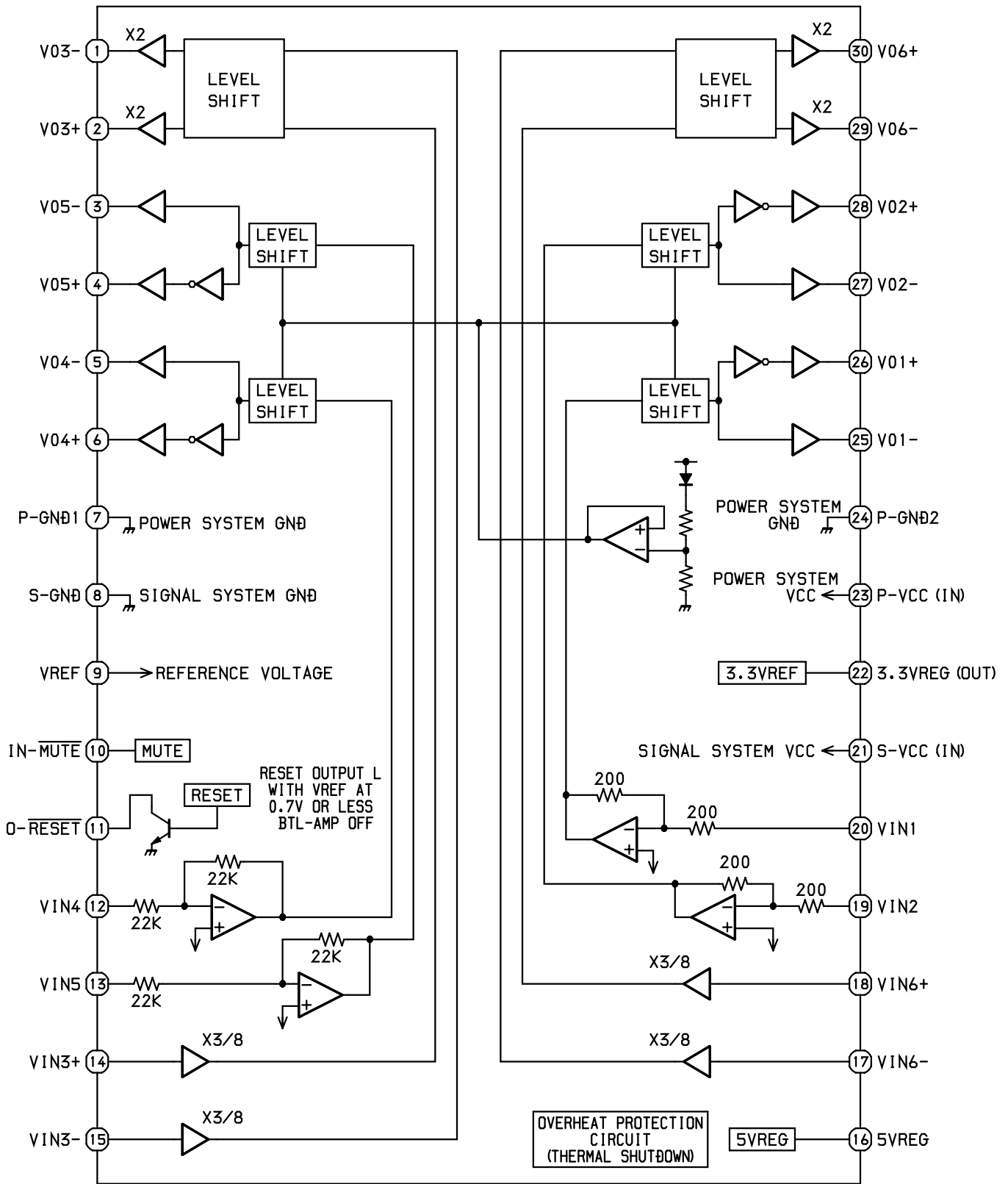


⑥ IC101 ⑥⑥ (RES) VOLT/DIV: 1V
 ⑦ IC101 ⑥⑧ (VDD5) TIME/DIV: 10mS

⑧ IC101 ④⑧ (XOUT)



IC BLOCK DIAGRAM
IC, LA6568



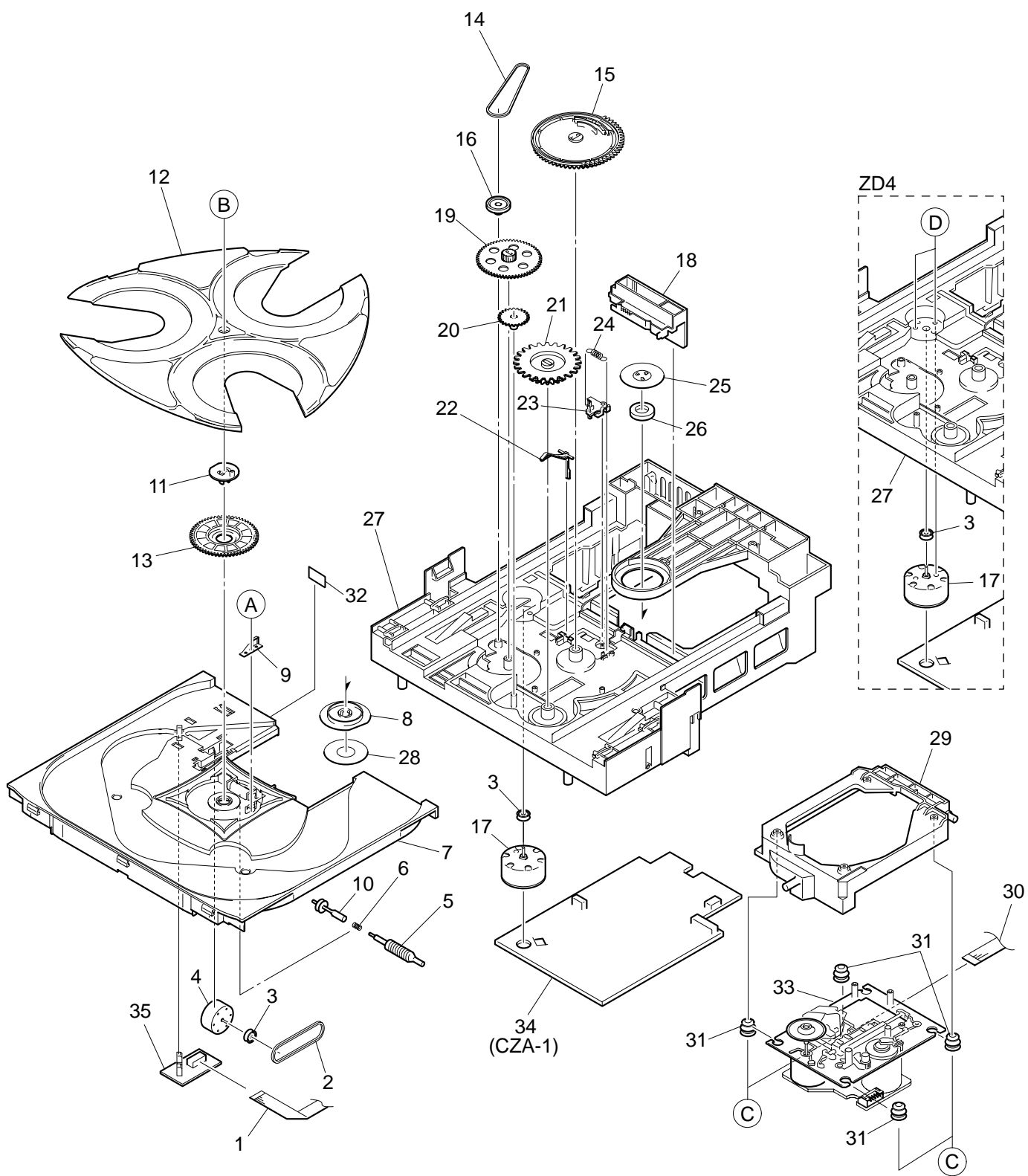
IC DESCRIPTION (LC78645)-1/2

| Pin No. | Pin Name | I/O | Description | |
|---------|------------|-----|--|---|
| 1 | SLCO | O | Slice level control | Control output. |
| 2 | SLCIST | I | | SLCO output current adjustment resistor connection pin. |
| 3 | EFMIN | I | | RF signal input pin. |
| 4 | RF | O | RF monitor pin. | |
| 5 | RFVDD | — | RF power supply pin. | |
| 6 | RFVSS | — | RF ground pin. | |
| 7 | FIN1 | I | A+C signal input pin. | |
| 8 | FIN2 | I | B+D signal input pin. | |
| 9 | TIN1 | I | E signal input pin. | |
| 10 | TIN2 | I | F signal input pin. | |
| 11 | VREF | O | VREF voltage output pin. | |
| 12 | REFI | I | Reference voltage output setting pin. | |
| 13 | EF | O | FE signal monitor pin. | |
| 14 | TEC | O | TE signal LPF capacitor connection pin. | |
| 15 | TE | O | TE signal monitor pin. | |
| 16 | RFMON | O | RF internal signal monitor pin. | |
| 17 | JITTC | O | Jitter detection capacitor connection pin. | |
| 18 | ADAVDD | — | Servo A/D, D/A supply pin. | |
| 19 | ADAVSS | — | Servo A/D, D/A ground pin. | |
| 20 | TDO | O | Tracking control output pin. D/A output. | |
| 21 | FDO | O | Focus control output pin. D/A output. | |
| 22 | SPDO | O | Spindle control output pin. D/A output. | |
| 23 | SLDO | O | Thread control output pin. D/A output. | |
| 24 | GPDAC | O | Servo D/A general-purpose output pin. (Not connected) | |
| 25, 26 | CONT4, 5 | I/O | General-purpose input/output pin 4, 5. | |
| 27 | SBCK/CONT6 | I/O | General-purpose input/output pin 6, or subcode read clock input pin. | |
| 28 | SBCK/FG | I | Subcode read clock input pin/FG signal input pin/external emphasis setting pin. Set to command -pin function. | |
| 29 | DEFECT | O | Defect pin. | |
| 30 | V/P | O | Rouge servo/phase control automatic switching monitor output pin. “H” for rough servo and “L” for phase servo. | |
| 31 | FSEQ | O | Synchronization signal detection output pin. Outputs a high level when the synchronization signal detected from the EFM signal and the internally generated synchronization signal agree. | |
| 32, 36 | MONI1, 5 | O | Internal signal monitor pin 1, 5. (Not connected) | |
| 37 | VSS | — | Digital ground pin. | |
| 38 | VDD | — | Digital power supply pin. | |
| 39 | DOUT | O | Digital OUT output pin. | |
| 40 | TEST | I | Test input pin. | |
| 41 | LVDD | — | L channel D/A converter | L channel power supply pin. |
| 42 | LCHO | O | | L channel output pin. |

IC DESCRIPTION (LC78645)-2/2

| Pin No. | Pin Name | I/O | Description | |
|---------|-----------|-----|---|---|
| 43 | LVSS | — | L channel D/A converter | L channel ground pin. |
| 44 | RVSS | — | R channel D/A converter | R channel ground pin. |
| 45 | RCHO | O | | R channel output pin. |
| 46 | RVDD | — | | R channel power supply pin. |
| 47 | XVDD | — | Crystal oscillator | Crystal oscillator power supply pin. |
| 48 | XOUT | O | | Connection for a 33.8688MHz crystal oscillator pin. |
| 49 | XIN | I | | |
| 50 | FSX/16MIN | I/O | 7.35kHz synchronization signal output pin. DF, DAC external clock input pin. (Not connected) | |
| 51 | XVSS | — | Crystal oscillator | Crystal oscillator ground pin. |
| | | | | Must be connected to 0V. |
| 52 | C2F | O | C2 flag output pin. | |
| 53 | EFLG | O | C1, C2 error correction monitor pin. | |
| 54 | 16MOUT | O | 16.9344MHz output pin. (Not connected) | |
| 55 | ASLRCK | I | Antishock mode | L/R clock input pin. |
| 56 | ASDACK | I | | Bit clock input pin. |
| 57 | ASDFIN | I | | L/R channel data input pin. |
| 58 | LRSY | O | Digital data output | L/R clock output pin. (Not connected) |
| 59 | DATAACK | O | | Bit clock output pin. (Not connected) |
| 60 | DATA | O | | L/R channel data output pin. (Not connected) |
| 61 | CE | I | Microprocessor interface | Chip enable signal input pin. |
| 62 | CL | I | | Data transfer clock input pin. |
| 63 | DI | I | | Data input pin. |
| 64 | DO | O | | Data output pin. (Nch open drain output) |
| 65 | WRQ | O | | Interruption signal output pin. |
| 66 | RES | I | Reset input pin. This pin must be set low briefly after power is first applied. | |
| 67 | DRF | O | Focus ON detect pin. | |
| 68 | VDD5 | — | Microprocessor interface power supply pin. | |
| 69 | VSS | — | Digital ground pin. | |
| 70 | CONT3 | I/O | General-purpose output pin 3. (Not connected) | |
| 71, 72 | CONT2, 1 | I/O | General-purpose output pin 2, 1. | |
| 73, 74 | PD01, 2 | O | PLL | Phase comparison output pin 1, 2 to control built-in VCO. |
| 75 | VVSS | — | | Built-in VCO GND pin. |
| 76 | PCKIST | I | | Resistor connection pin to set current for PD01 and 02 outputs. |
| 77 | VVDD | — | | Built-in VCO power supply pin. |
| 78 | FR | I | | Resistor connection pin to set the frequency range of built-in VCO. |
| 79 | LDS | I | Laser power detection signal input pin. | |
| 80 | LDD | O | Laser power control signal output pin. | |

CD MECHANISM EXPLODED VIEW <BZG-5>



CD MECHANISM PARTS LIST -1/2

! = Δ SAFTY PARTS
 C = Components marked

All components used on this model at the production line are shown in this service manual.
 However, please note that not all components will be available as spare parts for after-sales service.
 Components marked S and O are designated as spare parts for service and will be stocked at the spare parts centers.
 Components marked X and R are not designated as spare parts for after sales service, and will not be stocked at the spare parts centers.

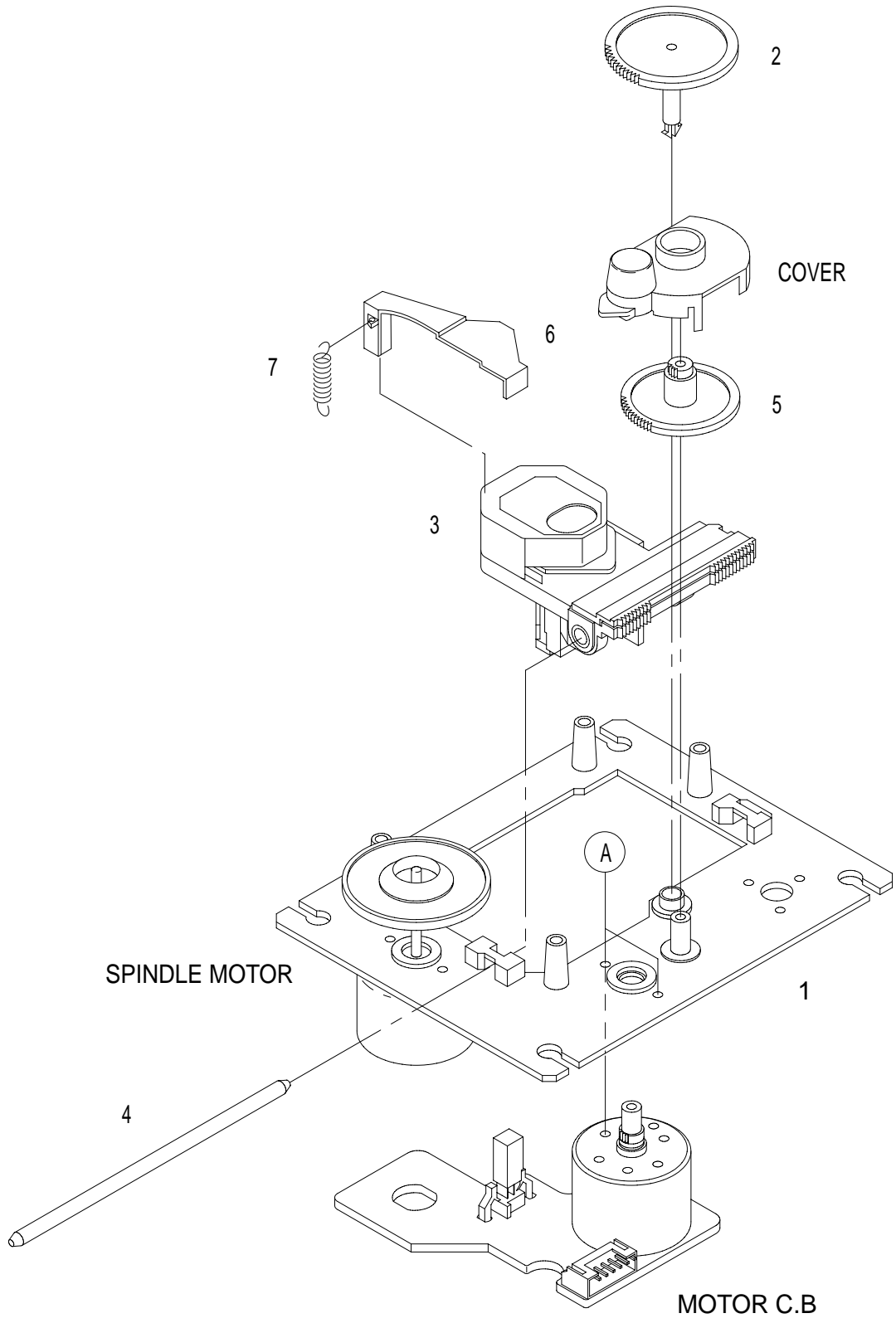
| UNIT-NAME | ! C | REF-NO | PARTS-NO | PARTS-NAME | SUFFIX&MODEL |
|-----------|-----|--------|----------------|--------------------------------|-------------------|
| | | | | | BZG-5 ZD4GNDC2 |
| | O | SC1001 | 84-ZG1-672-010 | F-CABLE, 5P 1.25 210MM WHITE N | a |
| | O | SC1002 | 84-ZG1-225-010 | BELT, SQ1.0-63.3 | a |
| | O | SC1003 | 84-ZG1-267-010 | PULLEY, LOAD MO 8 | a |
| | O | SC1004 | 87-045-364-010 | MOT, BCH3B | a |
| | O | SC1005 | 84-ZG1-238-010 | GEAR, WORM N | a |
| | O | SC1006 | 84-ZG1-248-010 | SPR-C, WORM | a |
| | O | SC1007 | 8B-ZG9-001-010 | TRAY, GRA | a |
| | O | SC1008 | 84-ZG1-291-210 | HLDR, MAGNET 4 NAT | a |
| | O | SC1009 | 84-ZG1-259-010 | SPR-P, WORM | a |
| | O | SC1010 | 84-ZG1-273-010 | PULLEY, WORM 4 | a |
| | O | SC1011 | 84-ZG1-288-010 | LEVER, TT NUT | a |
| | O | SC1012 | 8B-ZG5-001-010 | TURN TABLE, GRA | a |
| | O | SC1013 | 84-ZG1-269-010 | GEAR, MAIN TT 4 | a |
| | O | SC1014 | 84-ZG1-209-010 | BELT, SQ1.8-117.7 | a |
| | O | SC1015 | 84-ZG1-203-410 | GEAR, MAIN CAM | a |
| | O | SC1016 | 84-ZG1-271-010 | PULLEY, RELAY 8 | a |
| | O | SC1017 | 87-045-383-010 | MOT, M9I T2 | a |
| | O | SC1018 | 84-ZG1-204-310 | SLIDE, MECHA CAM | a |
| | O | SC1019 | 84-ZG1-206-110 | GEAR RELAY | a |
| | O | SC1020 | 81-ZG1-250-110 | GEAR, TRAY RELAY MK2* | a |
| | | | | | BZG-5 ZD4GNDC2 |
| | O | SC1021 | 84-ZG1-205-210 | GEAR, TRAY (*) | a |
| | O | SC1022 | 83-ZG3-213-010 | LVR, SW | a |
| | O | SC1023 | 84-ZG1-208-210 | LEVER, CAM | a |
| | O | SC1024 | 84-ZG1-211-010 | SPR-E, CAM S | a |
| | O | SC1025 | 84-ZG1-255-110 | PLATE, MAGNET MK2 | a |
| | O | SC1026 | 83-ZG3-604-010 | RING, MAG 2 | a |
| | O | SC1027 | 84-ZG1-292-010 | CHAS, MECHA N NAT | a |
| | O | SC1028 | 8A-ZG1-214-110 | SH, 25-40-0.5 PC | a |
| | O | SC1029 | 84-ZG1-287-010 | HLDR, MECHA NAT | a |
| | O | SC1030 | 85-NFT-611-110 | FF-CABLE 16P-1.0 | a |
| | O | SC1031 | 80-CD3-214-010 | CUSH CD A | a |
| | X | SC1032 | 84-ZG1-242-010 | CUSH-G 8-6-1 | a |
| | X | SC1033 | M8-1ZK-19A-170 | KSM-2131FAM | a |
| | X | SC1034 | A8-CZA-197-070 | CZA-1 ZD4NDC2 | a |
| | X | SC1035 | 84-ZG1-665-010 | PWB, T-T | a |
| | O | SC1A | 87-067-981-010 | BVT2+3-6 BLK | a |
| | O | SC1B | 87-B10-331-010 | VF+3-6 BLK | a |
| | O | SC1C | 81-ZG1-271-010 | S-SCREW, MECH REAR | a |
| | O | SC1D | 87-251-070-410 | U+2.6-3 | a |

COLOR NAME TABLE

COLOR NAME TABLE

| Basic color symbol | Color | Basic color symbol | Color | Basic color symbol | Color |
|--------------------|-------------------|--------------------|--------------------|--------------------|--------------------|
| B | Black | C | Cream | D | Orange |
| G | Green | H | Gray | L | Blue |
| LT | Transparent Blue | N | Gold | P | Pink |
| R | Red | S | Silver | ST | Titan Silver |
| T | Brown | V | Violet | W | White |
| WT | Transparent White | Y | Yellow | YT | Transparent Yellow |
| LM | Metallic Blue | LL | Light Blue | GT | Transparent Green |
| LD | Dark Blue | DT | Transparent Orange | GM | Metallic Green |
| YM | Metallic Yellow | DM | Metallic Orange | PT | Transparent Pink |
| LA | Aqua Blue | GL | Light Green | HT | Transparent Gray |
| HM | Metallic Gray | NH | Champagne Gold | M | Wood Pattern |

CD MECHANISM EXPLODED VIEW <KSM-2131FAM>



CD MECHANISM PARTS LIST <KSM-2131FAM>

| REF. NO | PART NO. | KANRI NO. | DESCRIPTION |
|---------|----------------|--------------|------------------------------|
| 1 | 9X-264-629-220 | | MOTOR CHASSIS ASSY (MB) (FR) |
| 2 | 92-626-907-010 | | GEAR (A) (S) |
| 3 | 87-A90-836-010 | | OPTICAL PICK UP KSS-213F |
| 4 | 92-626-908-020 | | SHAFT SLED |
| 5 | 92-627-003-010 | | GEAR (B) |
| 6 | 92-646-697-020 | | LENS SHUTTER (F) |
| 7 | 92-646-702-010 | | SPRIG EXTENSION |
| A | 97-621-255-150 | | SCREW+P2-3 |



アイワ株式会社 〒110-8710 東京都台東区池之端1-2-11 ☎03(3827)3111 (代表)
AIWA CO.,LTD. 2-11, IKENOHATA 1-CHOME, TAITO-KU, TOKYO 110-8710, JAPAN TEL:03 (3827) 3111
