

# XTI-300

---

## Service manual

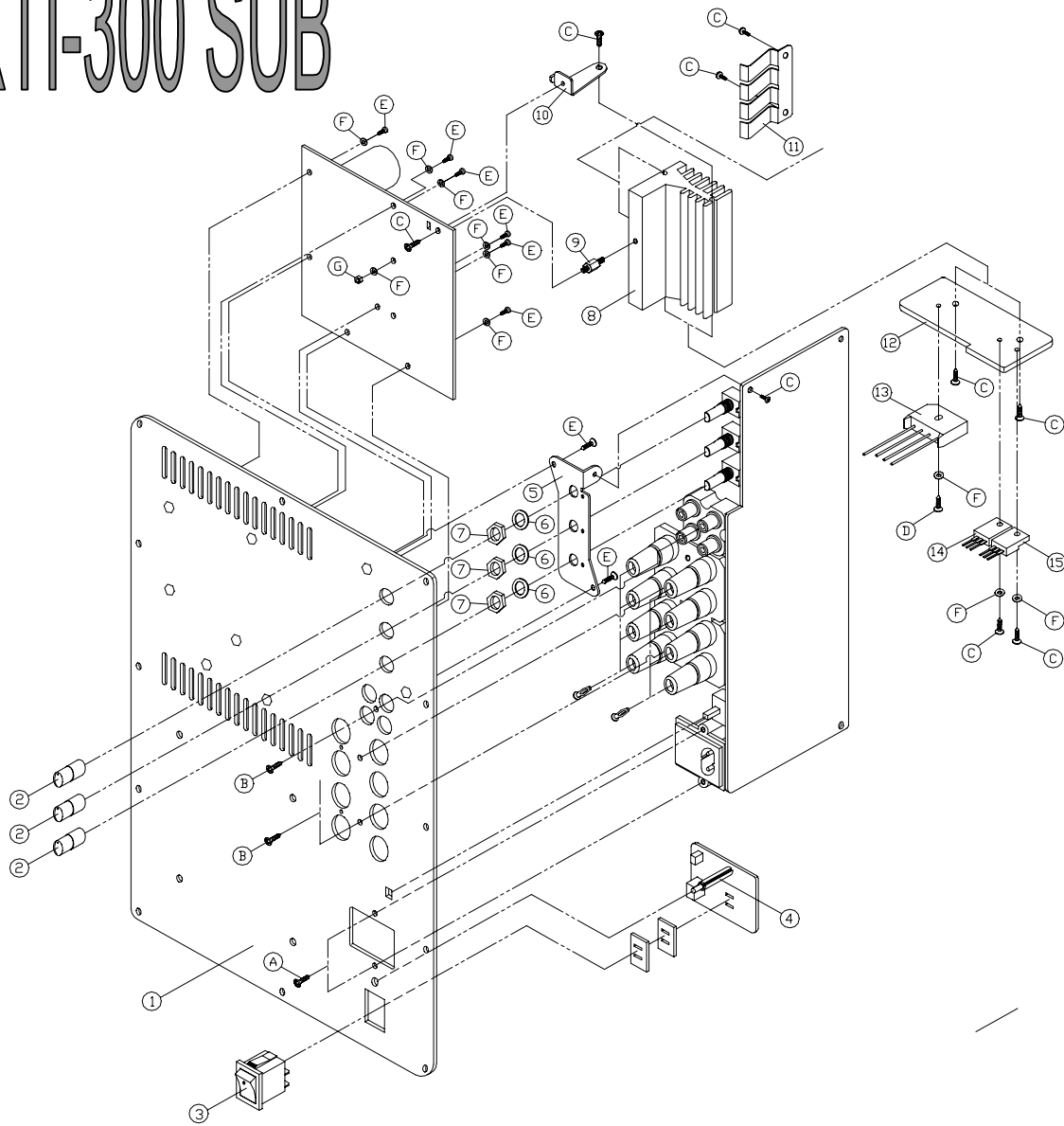


### **SPECIFICATIONS:**

#### **General Section**

- Frequency Response: 25Hz - 130Hz
- Built-in Amplifier: 300 Watts Class D
- Crossover Frequency: 40Hz - 130Hz, 24dB/octave
- Low-Frequency Driver: 12" Poly laminate
- Input / Outputs: Line- and high-level
- Finish: Beech or Brown Cherry Real Wood Veneer
- Dimensions (H x W x D): 550mm x 410mm x 500mm
- Weight: 28kg

# JBL XTI-300 SUB



|    |                   |                |      |                   |
|----|-------------------|----------------|------|-------------------|
| G  | NUT-HEXAGON       | XNHB-03000-ZY0 | 1    | HEX-SM3*0.5 FE-ZY |
| F  | WASHER-FLAT(3.0)  | MMAC-15380-ZZ4 | 10   | AK-10             |
| E  | SCREW-MACHINE     | MMAC-16860-004 | 8    | M3x6 pi0.5 Cr     |
| D  | SCREW-TAPPING     | XSTB-30120-ZY4 | 1    | BHT2T 3x12 FE-ZY  |
| C  | SCREW-TAPPING     | XSTB-30080-ZY4 | 9    | BHT2T 3x8 FE-ZY   |
| B  | SCREW-T/P-TOOTH   | MMAC-16400-004 | 3    | 3x10 BLACK        |
| A  | SCREW-TAPPING     | XSTB-30100-ZB4 | 2    | BHT2T 3x10 FE-ZB  |
| 16 | CORK-TERMINAL     | MJAG-13060-ZZ4 | 8    | ABS HF-380        |
| 15 | IC-REGULATOR      | ICRG-00440-SG0 | 1    | NJM7912FA         |
| 14 | IC-REGULATOR      | ICRG-01110-SG0 | 1    | NJM7812FA         |
| 13 | BRIDGE-RECTIFIER  | DD4B-00340-TB0 | 1    | BU8-06            |
| 12 | HEAT-SINK-TR2     | MEAC-16820-004 | 1    | Alp t3.0          |
| 11 | BRACKET-TR        | MPAC-16800-004 | 1    | SUS-304 t0.5      |
| 10 | BRACKET-HEAT SINK | MPAC-16810-004 | 1    | SECC t1.0         |
| 9  | SCREW-HEAT SINK   | MMAC-16830-004 | 1    | AK-10 Cr          |
| 8  | HEAT-SINK-TR1     | MEAC-05000-003 | 1    | A6063 T-5         |
| 7  | NUT               |                | 3    | M7                |
| 6  | WASHER            |                | 3    | M7                |
| 5  | BRACKET-VOLUME    | MPAC-16790-004 | 1    | SECCt1.0          |
| 4  | SUPPORT-LED       | MRAG-13710-004 | 1    | RUBBER 18.5m/m    |
| 3  | LOCKER-SWITCH     | SWVS-00120-S40 | 1    | R13-73A-09        |
| 2  | KNOB-ROTARY       | MJAF-15420-ZZ4 | 3    | ABS-720           |
| 1  | PANEL-BACK        | MPAC-04990-ZZ2 | 1    | SECCt2.0          |
| No | PARTS NAME        | CODE No        | Q,TY | REMARK            |

**BILL OF MATERIAL(MASTER P/L)**

MODEL CODE: 91AM-K1000-01E MODEL NAME: AMP-250

BUYER: JBL

DESTINATION: EUROPE

Date: 2002.03.18

| ASS'Y CODE         | PARTS CODE   | DESCRIPTION         | SPECIFICATION          | Q'TY  | Loc. No |
|--------------------|--------------|---------------------|------------------------|-------|---------|
| <b>Ass'y Mecha</b> |              |                     |                        |       |         |
| A2AMK1000A1E       | DD4B00340TB0 | BRIDGE RECTIFER     | BU8-06                 | 1     | BR1     |
| A2AMK1000A1E       | FGFBS2002837 | FUSE GLASS          | 2A 250V 50T            | 1     | F101    |
| A2AMK1000A1E       | FIBA00020S6V | FUSE-COVER          | L-A20                  | 1     |         |
| A2AMK1000A1E       | ICRG00440SG0 | IC REGULATOR        | NJM7912FA TO-220       | 1     |         |
| A2AMK1000A1E       | ICRG01110SG0 | IC REGULATOR        | NJM7812FA 12V          | 1     |         |
| A2AMK1000A1E       | MEAC05000003 | HEAT SINK-TR1       | A6063 T-5              | 1     |         |
| A2AMK1000A1E       | MEAC16820004 | HEAT SINK-TR2       | ALP T3.0               | 1     |         |
| A2AMK1000A1E       | MJAF15420024 | KNOB-ROTARY         | AMP 250 ABS-720        | 3     |         |
| A2AMK1000A1E       | MJAG13060014 | CORK-TERMINAL       | AVR100READY ABS HF-380 | 8     |         |
| A2AMK1000A1E       | MMAC15380014 | WASHER-FLAT(3.0)    | A-900                  | 10    |         |
| A2AMK1000A1E       | MMAC16400004 | SCREW-T/P-TOOTH     | 3X10 BLACK             | 3     |         |
| A2AMK1000A1E       | MMAC16830004 | SCREW-HEAT SINK     | AK-10 CR               | 1     |         |
| A2AMK1000A1E       | MMAC16860004 | SCREW-MACHINE       | M3*6*PI0.5 CR WHITE    | 8     |         |
| A2AMK1000A1E       | MPAC04990012 | PANEL-BACK          | AMP 250 SECC T1.6 SPR  | 1     |         |
| A2AMK1000A1E       | MPAC16790004 | BRACKET-VOLUME      | SECC T1.0              | 1     |         |
| A2AMK1000A1E       | MPAC16800004 | BRACKET-TR          | SUS-304                | 1     |         |
| A2AMK1000A1E       | MPAC16810004 | BRACKET-HEAT SINK   | SECC T1.0              | 1     |         |
| A2AMK1000A1E       | PTAN03740YJV | POWER TRANSFORMER   | A86-374Y-V(250V 50Hz)  | 1     |         |
| A2AMK1000A1E       | XNHB03000ZY0 | NUT-HEXAGON         | HEX-SM3*0.5 FE-ZY      | 1     |         |
| A2AMK1000A1E       | XSTB30080ZY4 | SCREW-TAPPING       | BHT2T 3x8 FE-ZY        | 9     |         |
| A2AMK1000A1E       | XSTB30100ZB4 | SCREW-TAPPING       | BHT2T 3x10 FE-ZB       | 2     |         |
| A2AMK1000A1E       | XSTB30120ZY4 | SCREW-TAPPING       | BHT2T 3x12 FE-ZY       | 1     |         |
| A2AMK1000A1E       | XSTB40080ZB8 | SCREW-TAPPING       | BHT3T 4x8 FE-ZB        | 4     |         |
| A2AMK1000A1E       | YGAP15350014 | BOX-GIFT            | AMP 250 DW-2 533*473*3 | 0.125 |         |
| A2AMK1000A1E       | YSAP01650001 | CUSHION             | EPS 530*470*195        | 0.25  |         |
| A2AMK1000A1E       | YVAP15360014 | POLY-BAG            | AMP 250 PE-LD 390*360* | 1     |         |
| A2AMK1000A1E       | KDAC0012EPA8 | CORD-AC             | KKP-419C,KLCE-2F 2M    | 1     |         |
| A2AMK1000A1E       | 777700000105 | ROCKER S/W          | SF-W101A-30BB          | 1     |         |
| <b>Ass'y Main</b>  |              |                     |                        |       |         |
| A2AMK1000A2E       | BTEM00040470 | T-FILTER            | 470PF 25V 6A           | 2     | L15     |
| A2AMK1000A2E       | BTEM00040470 | T-FILTER            | 470PF 25V 6A           | 2     | L17     |
| A2AMK1000A2E       | CCMBF105Z0AJ | CAPACITOR CHIP/MONO | GRM42-6Y5V 105Z 25PE   | 8     | C18     |
| A2AMK1000A2E       | CCMBF105Z0AJ | CAPACITOR CHIP/MONO | GRM42-6Y5V 105Z 25PE   | 8     | C2      |
| A2AMK1000A2E       | CCMBF105Z0AJ | CAPACITOR CHIP/MONO | GRM42-6Y5V 105Z 25PE   | 8     | C24     |
| A2AMK1000A2E       | CCMBF105Z0AJ | CAPACITOR CHIP/MONO | GRM42-6Y5V 105Z 25PE   | 8     | C42     |
| A2AMK1000A2E       | CCMBF105Z0AJ | CAPACITOR CHIP/MONO | GRM42-6Y5V 105Z 25PE   | 8     | C43     |
| A2AMK1000A2E       | CCMBF105Z0AJ | CAPACITOR CHIP/MONO | GRM42-6Y5V 105Z 25PE   | 8     | C52     |
| A2AMK1000A2E       | CCMBF105Z0AJ | CAPACITOR CHIP/MONO | GRM42-6Y5V 105Z 25PE   | 8     | C53     |
| A2AMK1000A2E       | CCMBF105Z0AJ | CAPACITOR CHIP/MONO | GRM42-6Y5V 105Z 25PE   | 8     | C6      |
| A2AMK1000A2E       | CCMBJ103K0AH | CAPACITOR CHIP/MONO | GRM40 X7R 103 50PT     | 16    | C1      |
| A2AMK1000A2E       | CCMBJ103K0AH | CAPACITOR CHIP/MONO | GRM40 X7R 103 50PT     | 16    | C11     |
| A2AMK1000A2E       | CCMBJ103K0AH | CAPACITOR CHIP/MONO | GRM40 X7R 103 50PT     | 16    | C12     |
| A2AMK1000A2E       | CCMBJ103K0AH | CAPACITOR CHIP/MONO | GRM40 X7R 103 50PT     | 16    | C13     |
| A2AMK1000A2E       | CCMBJ103K0AH | CAPACITOR CHIP/MONO | GRM40 X7R 103 50PT     | 16    | C4      |
| A2AMK1000A2E       | CCMBJ103K0AH | CAPACITOR CHIP/MONO | GRM40 X7R 103 50PT     | 16    | C40     |
| A2AMK1000A2E       | CCMBJ103K0AH | CAPACITOR CHIP/MONO | GRM40 X7R 103 50PT     | 16    | C41     |
| A2AMK1000A2E       | CCMBJ103K0AH | CAPACITOR CHIP/MONO | GRM40 X7R 103 50PT     | 16    | C57     |
| A2AMK1000A2E       | CCMBJ103K0AH | CAPACITOR CHIP/MONO | GRM40 X7R 103 50PT     | 16    | C58     |
| A2AMK1000A2E       | CCMBJ103K0AH | CAPACITOR CHIP/MONO | GRM40 X7R 103 50PT     | 16    | C59     |
| A2AMK1000A2E       | CCMBJ103K0AH | CAPACITOR CHIP/MONO | GRM40 X7R 103 50PT     | 16    | C60     |
| A2AMK1000A2E       | CCMBJ103K0AH | CAPACITOR CHIP/MONO | GRM40 X7R 103 50PT     | 16    | C61     |
| A2AMK1000A2E       | CCMBJ103K0AH | CAPACITOR CHIP/MONO | GRM40 X7R 103 50PT     | 16    | C62     |
| A2AMK1000A2E       | CCMBJ103K0AH | CAPACITOR CHIP/MONO | GRM40 X7R 103 50PT     | 16    | C63     |
| A2AMK1000A2E       | CCMBJ103K0AH | CAPACITOR CHIP/MONO | GRM40 X7R 103 50PT     | 16    | C64     |
| A2AMK1000A2E       | CCMBJ103K0AH | CAPACITOR CHIP/MONO | GRM40 X7R 103 50PT     | 16    | C9      |
| A2AMK1000A2E       | CCMBJ104K0AH | CAPACITOR CHIP/MONO | GRM40 X7R 104K 50PE    | 4     | C16     |
| A2AMK1000A2E       | CCMBJ104K0AH | CAPACITOR CHIP/MONO | GRM40 X7R 104K 50PE    | 4     | C17     |
| A2AMK1000A2E       | CCMBJ104K0AH | CAPACITOR CHIP/MONO | GRM40 X7R 104K 50PE    | 4     | C19     |
| A2AMK1000A2E       | CCMBJ104K0AH | CAPACITOR CHIP/MONO | GRM40 X7R 104K 50PE    | 4     | C20     |
| A2AMK1000A2E       | CCMBJ220J0AH | CAPACITOR CHIP/MONO | GRM40 COG 220J 50PT    | 11    | C14     |
| A2AMK1000A2E       | CCMBJ220J0AH | CAPACITOR CHIP/MONO | GRM40 COG 220J 50PT    | 11    | C15     |
| A2AMK1000A2E       | CCMBJ220J0AH | CAPACITOR CHIP/MONO | GRM40 COG 220J 50PT    | 11    | C3      |

| ASS'Y CODE   | PARTS CODE   | DESCRIPTION          | SPECIFICATION             | Q'TY | Loc. No |
|--------------|--------------|----------------------|---------------------------|------|---------|
| A2AMK1000A2E | CCMBJ220J0AH | CAPACITOR CHIP/MONO  | GRM40 COG 220J 50PT       | 11   | C30     |
| A2AMK1000A2E | CCMBJ220J0AH | CAPACITOR CHIP/MONO  | GRM40 COG 220J 50PT       | 11   | C31     |
| A2AMK1000A2E | CCMBJ220J0AH | CAPACITOR CHIP/MONO  | GRM40 COG 220J 50PT       | 11   | C32     |
| A2AMK1000A2E | CCMBJ220J0AH | CAPACITOR CHIP/MONO  | GRM40 COG 220J 50PT       | 11   | C33     |
| A2AMK1000A2E | CCMBJ220J0AH | CAPACITOR CHIP/MONO  | GRM40 COG 220J 50PT       | 11   | C44     |
| A2AMK1000A2E | CCMBJ220J0AH | CAPACITOR CHIP/MONO  | GRM40 COG 220J 50PT       | 11   | C45     |
| A2AMK1000A2E | CCMBJ220J0AH | CAPACITOR CHIP/MONO  | GRM40 COG 220J 50PT       | 11   | C54     |
| A2AMK1000A2E | CCMBJ220J0AH | CAPACITOR CHIP/MONO  | GRM40 COG 220J 50PT       | 11   | C55     |
| A2AMK1000A2E | CCMBJ222J0AH | CAPACITOR CHIP/MONO  | GRM40 X7R 222K 50PT       | 6    | C46     |
| A2AMK1000A2E | CCMBJ222J0AH | CAPACITOR CHIP/MONO  | GRM40 X7R 222K 50PT       | 6    | C47     |
| A2AMK1000A2E | CCMBJ222J0AH | CAPACITOR CHIP/MONO  | GRM40 X7R 222K 50PT       | 6    | C48     |
| A2AMK1000A2E | CCMBJ222J0AH | CAPACITOR CHIP/MONO  | GRM40 X7R 222K 50PT       | 6    | C49     |
| A2AMK1000A2E | CCMBJ222J0AH | CAPACITOR CHIP/MONO  | GRM40 X7R 222K 50PT       | 6    | C5      |
| A2AMK1000A2E | CCMBJ222J0AH | CAPACITOR CHIP/MONO  | GRM40 X7R 222K 50PT       | 6    | R52     |
| A2AMK1000A2E | CCMBJ331J0AH | CAPACITOR CHIP/MONO  | GRM40 COG 331J 50PT       | 4    | C21     |
| A2AMK1000A2E | CCMBJ331J0AH | CAPACITOR CHIP/MONO  | GRM40 COG 331J 50PT       | 4    | C23     |
| A2AMK1000A2E | CCMBJ331J0AH | CAPACITOR CHIP/MONO  | GRM40 COG 331J 50PT       | 4    | C56     |
| A2AMK1000A2E | CCMBJ331J0AH | CAPACITOR CHIP/MONO  | GRM40 COG 331J 50PT       | 4    | C84     |
| A2AMK1000A2E | CCMBN101J0AJ | CAPACITOR CHIP/MONO  | GRM40 COG 101J 100PT      | 4    | C25     |
| A2AMK1000A2E | CCMBN101J0AJ | CAPACITOR CHIP/MONO  | GRM40 COG 101J 100PT      | 4    | C26     |
| A2AMK1000A2E | CCMBN101J0AJ | CAPACITOR CHIP/MONO  | GRM40 COG 101J 100PT      | 4    | C77     |
| A2AMK1000A2E | CCMBN101J0AJ | CAPACITOR CHIP/MONO  | GRM40 COG 101J 100PT      | 4    | C78     |
| A2AMK1000A2E | CCMBN102K0CG | CAPACITOR CHIP       | 1000pF 100V X7R 10%       | 1    | C73     |
| A2AMK1000A2E | CCMBN103K0CG | CAPACITOR CHIP       | 0.01uF 100V X7R           | 6    | C35     |
| A2AMK1000A2E | CCMBN103K0CG | CAPACITOR CHIP       | 0.01uF 100V X7R           | 6    | C36     |
| A2AMK1000A2E | CCMBN103K0CG | CAPACITOR CHIP       | 0.01uF 100V X7R           | 6    | C74     |
| A2AMK1000A2E | CCMBN103K0CG | CAPACITOR CHIP       | 0.01uF 100V X7R           | 6    | C75     |
| A2AMK1000A2E | CCMBN103K0CG | CAPACITOR CHIP       | 0.01uF 100V X7R           | 6    | C81     |
| A2AMK1000A2E | CCMBN103K0CG | CAPACITOR CHIP       | 0.01uF 100V X7R           | 6    | C82     |
| A2AMK1000A2E | CCMBN473K0CG | CAPACITOR CHIP       | 0.047uF 100V X7R 10%      | 4    | C37     |
| A2AMK1000A2E | CCMBN473K0CG | CAPACITOR CHIP       | 0.047uF 100V X7R 10%      | 4    | C39     |
| A2AMK1000A2E | CCMBN473K0CG | CAPACITOR CHIP       | 0.047uF 100V X7R 10%      | 4    | C79     |
| A2AMK1000A2E | CCMBN473K0CG | CAPACITOR CHIP       | 0.047uF 100V X7R 10%      | 4    | C80     |
| A2AMK1000A2E | CCMBR223K0AJ | CAPACITOR CHIP/MONO  | GRM42-6 X7R 223K 200PE    | 5    | C22     |
| A2AMK1000A2E | CCMBR223K0AJ | CAPACITOR CHIP/MONO  | GRM42-6 X7R 223K 200PE    | 5    | C38     |
| A2AMK1000A2E | CCMBR223K0AJ | CAPACITOR CHIP/MONO  | GRM42-6 X7R 223K 200PE    | 5    | C50     |
| A2AMK1000A2E | CCMBR223K0AJ | CAPACITOR CHIP/MONO  | GRM42-6 X7R 223K 200PE    | 5    | C51     |
| A2AMK1000A2E | CCMBR223K0AJ | CAPACITOR CHIP/MONO  | GRM42-6 X7R 223K 200PE    | 5    | C76     |
| A2AMK1000A2E | CEEBE470MDX1 | CAPACITOR E/ALUMINUM | 47uF /16V (7SC1CAB476M)   | 5    | C10     |
| A2AMK1000A2E | CEEBE470MDX1 | CAPACITOR E/ALUMINUM | 47uF /16V (7SC1CAB476M)   | 5    | C65     |
| A2AMK1000A2E | CEEBE470MDX1 | CAPACITOR E/ALUMINUM | 47uF /16V (7SC1CAB476M)   | 5    | C66     |
| A2AMK1000A2E | CEEBE470MDX1 | CAPACITOR E/ALUMINUM | 47uF /16V (7SC1CAB476M)   | 5    | C67     |
| A2AMK1000A2E | CEEBE470MDX1 | CAPACITOR E/ALUMINUM | 47uF /16V (7SC1CAB476M)   | 5    | C68     |
| A2AMK1000A2E | CEETG471MHN4 | CAPACITOR E/ALUMINUM | 470uF/35v(1SG1VWM477M)    | 2    | C69     |
| A2AMK1000A2E | CEETG471MHN4 | CAPACITOR E/ALUMINUM | 470uF/35v(1SG1VWM477M)    | 2    | C70     |
| A2AMK1000A2E | CEETM222MPS1 | CAPACITOR E/ALUMINUM | 2200UF/80V(3HE1KVB228MHA) | 3    | C27     |
| A2AMK1000A2E | CEETM222MPS1 | CAPACITOR E/ALUMINUM | 2200UF/80V(3HE1KVB228MHA) | 3    | C28     |
| A2AMK1000A2E | CEETM222MPS1 | CAPACITOR E/ALUMINUM | 2200UF/80V(3HE1KVB228MHA) | 3    | C29     |
| A2AMK1000A2E | CFMSJ684KKC0 | MMK CAPACITOR        | 680NF 100V 10%            | 1    | C34     |
| A2AMK1000A2E | DDBP00010VX0 | DUAL DIODE           | BAV70(SMT)                | 4    | D1      |
| A2AMK1000A2E | DDBP00010VX0 | DUAL DIODE           | BAV70(SMT)                | 4    | D2      |
| A2AMK1000A2E | DDBP00010VX0 | DUAL DIODE           | BAV70(SMT)                | 4    | D4      |
| A2AMK1000A2E | DDBP00010VX0 | DUAL DIODE           | BAV70(SMT)                | 4    | D5      |
| A2AMK1000A2E | DD4B00350TB0 | BRIDGE RECTIFER      | DF01S(SMT)                | 1    | BR2     |
| A2AMK1000A2E | DPLT00821RR3 | DOT-LED              | LTL-1CHP RED R3.1         | 1    | D3      |
| A2AMK1000A2E | ICCM01530VX0 | RETIG TIMER IC       | MM74HC123AM               | 1    | U16     |
| A2AMK1000A2E | ICCM01540T20 | AND GATE IC          | 74VHC08M                  | 1    | U5      |
| A2AMK1000A2E | ICCM01550VX0 | EX-OR GATE IC        | 74AC86SC                  | 1    | U6      |
| A2AMK1000A2E | ICCM01560VX0 | SCHMITT TRIGGER IC   | 74VHC132M                 | 1    | U4      |
| A2AMK1000A2E | ICHY00390TS0 | H-BRIDGE DROVER IC   | HIP2100IB                 | 2    | U8      |
| A2AMK1000A2E | ICHY00390TS0 | H-BRIDGE DROVER IC   | HIP2100IB                 | 2    | U9      |
| A2AMK1000A2E | ICHY00410W70 | EQUILOG MODULATOR    | EQ 805                    | 1    | U11     |
| A2AMK1000A2E | ICOP03200TC0 | OP-AMP IC            | MC33079DR2                | 1    | U10     |
| A2AMK1000A2E | ICOP03300T20 | COMPARATOR IC        | LM393MX                   | 1    | U1      |
| A2AMK1000A2E | ICRG01070TC0 | 5V REGULATOR         | MC78L05ACDR2              | 1    | U13     |
| A2AMK1000A2E | ICRG01080TC0 | -5V REGULATOR        | MC79L05ACD(SMD)           | 1    | U15     |
| A2AMK1000A2E | ICTT00430S70 | INVERTER IC          | N74F07AD                  | 1    | U7      |
| A2AMK1000A2E | KIBK00310EHO | DUAL INDUCTOR        | 30uH 10A                  | 1    | L20     |

| ASS'Y CODE   | PARTS CODE   | DESCRIPTION          | SPECIFICATION              | Q'TY | Loc. No |
|--------------|--------------|----------------------|----------------------------|------|---------|
| A2AMK1000A2E | KNCW009705T9 | CONNECTOR-WAFER      | JE202-1T-5P                | 1    | ST1     |
| A2AMK1000A2E | KORB00120C00 | FERRIT BEAD          | BL01RN1-A62-001            | 3    | L1      |
| A2AMK1000A2E | KORB00120C00 | FERRIT BEAD          | BL01RN1-A62-001            | 3    | L2      |
| A2AMK1000A2E | KORB00120C00 | FERRIT BEAD          | BL01RN1-A62-001            | 3    | L5      |
| A2AMK1000A2E | KORI00020000 | AORCORE INDUCTOR     | 75nH                       | 4    | L3      |
| A2AMK1000A2E | KORI00020000 | AORCORE INDUCTOR     | 75nH                       | 4    | L4      |
| A2AMK1000A2E | KORI00020000 | AORCORE INDUCTOR     | 75nH                       | 4    | L6      |
| A2AMK1000A2E | KORI00020000 | AORCORE INDUCTOR     | 75nH                       | 4    | L7      |
| A2AMK1000A2E | PCSA053101KB | PCB-(EPOXY 4 LAYER)  | A1A-531,FR2(100x100x1.6t)  | 1    |         |
| A2AMK1000A2E | RCPBBX009520 | CHIP RESISTOR(SMT)   | 681 50PPM 0.1% (MMA0204)   | 2    | R36     |
| A2AMK1000A2E | RCPBBX009520 | CHIP RESISTOR(SMT)   | 681 50PPM 0.1% (MMA0204)   | 2    | R38     |
| A2AMK1000A2E | RCPBBX010Z22 | RESISTOR-CHIP C/FILM | 33.2k 1/10W 1% B           | 2    | R3      |
| A2AMK1000A2E | RCPBBX010Z22 | RESISTOR-CHIP C/FILM | 33.2k 1/10W 1% B           | 2    | R53     |
| A2AMK1000A2E | RCPBB000J21C | RESISTOR-CHIP C/FILM | 0ohm 1/10W 5% B            | 3    | R76     |
| A2AMK1000A2E | RCPBB000J21C | RESISTOR-CHIP C/FILM | 0ohm 1/10W 5% B            | 3    | R80     |
| A2AMK1000A2E | RCPBB000J21C | RESISTOR-CHIP C/FILM | 0ohm 1/10W 5% B            | 3    | R82     |
| A2AMK1000A2E | RCPBB102F21C | RESISTOR-CHIP C/FILM | 1Kohm 1% CHIP              | 1    | R54     |
| A2AMK1000A2E | RCPBB103F21C | RESISTOR-CHIP C/FILM | 10Kohm 1/10W 1% B          | 6    | R1      |
| A2AMK1000A2E | RCPBB103F21C | RESISTOR-CHIP C/FILM | 10Kohm 1/10W 1% B          | 6    | R11     |
| A2AMK1000A2E | RCPBB103F21C | RESISTOR-CHIP C/FILM | 10Kohm 1/10W 1% B          | 6    | R16     |
| A2AMK1000A2E | RCPBB103F21C | RESISTOR-CHIP C/FILM | 10Kohm 1/10W 1% B          | 6    | R6      |
| A2AMK1000A2E | RCPBB103F21C | RESISTOR-CHIP C/FILM | 10Kohm 1/10W 1% B          | 6    | R61     |
| A2AMK1000A2E | RCPBB103F21C | RESISTOR-CHIP C/FILM | 10Kohm 1/10W 1% B          | 6    | R8      |
| A2AMK1000A2E | RCPBB104F21C | RESISTOR-CHIP C/FILM | 100K 1/10W 1% B            | 5    | R39     |
| A2AMK1000A2E | RCPBB104F21C | RESISTOR-CHIP C/FILM | 100K 1/10W 1% B            | 5    | R40     |
| A2AMK1000A2E | RCPBB104F21C | RESISTOR-CHIP C/FILM | 100K 1/10W 1% B            | 5    | R5      |
| A2AMK1000A2E | RCPBB104F21C | RESISTOR-CHIP C/FILM | 100K 1/10W 1% B            | 5    | R58     |
| A2AMK1000A2E | RCPBB104F21C | RESISTOR-CHIP C/FILM | 100K 1/10W 1% B            | 5    | R78     |
| A2AMK1000A2E | RCPBB105J21C | RESISTOR-CHIP C/FILM | 1Mohm 1/10W 5% B           | 1    | R4      |
| A2AMK1000A2E | RCPBB150F21C | RESISTOR-CHIP C/FILM | 15ohm 1/10W 1% B           | 4    | R22     |
| A2AMK1000A2E | RCPBB150F21C | RESISTOR-CHIP C/FILM | 15ohm 1/10W 1% B           | 4    | R23     |
| A2AMK1000A2E | RCPBB150F21C | RESISTOR-CHIP C/FILM | 15ohm 1/10W 1% B           | 4    | R24     |
| A2AMK1000A2E | RCPBB150F21C | RESISTOR-CHIP C/FILM | 15ohm 1/10W 1% B           | 4    | R25     |
| A2AMK1000A2E | RCPBB151F21C | RESISTOR-CHIP C/FILM | 150ohm 1% CHIP             | 1    | R74     |
| A2AMK1000A2E | RCPBB182F21C | RESISTOR-CHIP C/FILM | 1.8K 1% 1/10W chip         | 1    | R70     |
| A2AMK1000A2E | RCPBB203F21C | RESISTOR-CHIP C/FILM | 20Kohm 1/10W 1% B          | 2    | R12     |
| A2AMK1000A2E | RCPBB203F21C | RESISTOR-CHIP C/FILM | 20Kohm 1/10W 1% B          | 2    | R69     |
| A2AMK1000A2E | RCPBB221F21C | RESISTOR-CHIP C/FILM | 220R 1% 1/10W chip         | 4    | R43     |
| A2AMK1000A2E | RCPBB221F21C | RESISTOR-CHIP C/FILM | 220R 1% 1/10W chip         | 4    | R44     |
| A2AMK1000A2E | RCPBB221F21C | RESISTOR-CHIP C/FILM | 220R 1% 1/10W chip         | 4    | R45     |
| A2AMK1000A2E | RCPBB221F21C | RESISTOR-CHIP C/FILM | 220R 1% 1/10W chip         | 4    | R46     |
| A2AMK1000A2E | RCPBB224J21C | RESISTOR-CHIP C/FILM | 220Kohm 1/10W 5% B         | 1    | R2      |
| A2AMK1000A2E | RCPBB242F21C | RESISTOR-CHIP C/FILM | 2.4Kohm 1/10W 1% B         | 2    | R20     |
| A2AMK1000A2E | RCPBB242F21C | RESISTOR-CHIP C/FILM | 2.4Kohm 1/10W 1% B         | 2    | R21     |
| A2AMK1000A2E | RCPBB283F21C | RESISTOR-CHIP C/FILM | 28Kohm 1/10W 1% B          | 1    | R34     |
| A2AMK1000A2E | RCPBB331F21C | RESISTOR-CHIP C/FILM | 330R 1% 1/10W chip         | 2    | R48     |
| A2AMK1000A2E | RCPBB331F21C | RESISTOR-CHIP C/FILM | 330R 1% 1/10W chip         | 2    | R50     |
| A2AMK1000A2E | RCPBB332F21C | RESISTOR-CHIP C/FILM | 3.3K 1/10W 1% B            | 1    | R7      |
| A2AMK1000A2E | RCPBB472F21C | RESISTOR-CHIP C/FILM | 4.7K 1% 1/10W chip         | 9    | R10     |
| A2AMK1000A2E | RCPBB472F21C | RESISTOR-CHIP C/FILM | 4.7K 1% 1/10W chip         | 9    | R17     |
| A2AMK1000A2E | RCPBB472F21C | RESISTOR-CHIP C/FILM | 4.7K 1% 1/10W chip         | 9    | R41     |
| A2AMK1000A2E | RCPBB472F21C | RESISTOR-CHIP C/FILM | 4.7K 1% 1/10W chip         | 9    | R42     |
| A2AMK1000A2E | RCPBB472F21C | RESISTOR-CHIP C/FILM | 4.7K 1% 1/10W chip         | 9    | R56     |
| A2AMK1000A2E | RCPBB472F21C | RESISTOR-CHIP C/FILM | 4.7K 1% 1/10W chip         | 9    | R57     |
| A2AMK1000A2E | RCPBB472F21C | RESISTOR-CHIP C/FILM | 4.7K 1% 1/10W chip         | 9    | R59     |
| A2AMK1000A2E | RCPBB472F21C | RESISTOR-CHIP C/FILM | 4.7K 1% 1/10W chip         | 9    | R60     |
| A2AMK1000A2E | RCPBB472F21C | RESISTOR-CHIP C/FILM | 4.7K 1% 1/10W chip         | 9    | R9      |
| A2AMK1000A2E | RCPBB560F21C | RESISTOR-CHIP C/FILM | 56R 1% 1/10W chip          | 2    | R15     |
| A2AMK1000A2E | RCPBB560F21C | RESISTOR-CHIP C/FILM | 56R 1% 1/10W chip          | 2    | R34     |
| A2AMK1000A2E | RCPBF103F520 | CHIP RESISTOR(SMT)   | 10K 50ppm 0.1% (MMA0204)   | 2    | R35     |
| A2AMK1000A2E | RCPBF103F520 | CHIP RESISTOR(SMT)   | 10K 50ppm 0.1% (MMA0204)   | 2    | R37     |
| A2AMK1000A2E | RCPBF120F520 | CHIP RESISTOR(SMT)   | 12R 50ppm 1%(SSM0204 MELF) | 2    | R26     |
| A2AMK1000A2E | RCPBF120F520 | CHIP RESISTOR(SMT)   | 12R 50ppm 1%(SSM0204 MELF) | 2    | R27     |
| A2AMK1000A2E | RCPBF3R0F520 | CHIP RESISTOR(SMT)   | 3R 50ppm 1%(SSM0204 MELF)  | 6    | R28     |
| A2AMK1000A2E | RCPBF3R0F520 | CHIP RESISTOR(SMT)   | 3R 50ppm 1%(SSM0204 MELF)  | 6    | R29     |
| A2AMK1000A2E | RCPBF3R0F520 | CHIP RESISTOR(SMT)   | 3R 50ppm 1%(SSM0204 MELF)  | 6    | R64     |
| A2AMK1000A2E | RCPBF3R0F520 | CHIP RESISTOR(SMT)   | 3R 50ppm 1%(SSM0204 MELF)  | 6    | R65     |
| A2AMK1000A2E | RCPBF3R0F520 | CHIP RESISTOR(SMT)   | 3R 50ppm 1%(SSM0204 MELF)  | 6    | R66     |

| ASS'Y CODE         | PARTS CODE   | DESCRIPTION          | SPECIFICATION              | Q'TY | Loc. No |
|--------------------|--------------|----------------------|----------------------------|------|---------|
| A2AMK1000A2E       | RCPBF3R0F520 | CHIP RESISTOR(SMT)   | 3R 50ppm 1%(SSM0204 MELF)  | 6    | R67     |
| A2AMK1000A2E       | RCPBF682F520 | CHIP RESISTOR(SMT)   | 6K8 50ppm 1%(SSM0204 MELF) | 2    | R47     |
| A2AMK1000A2E       | RCPBF682F520 | CHIP RESISTOR(SMT)   | 6K8 50ppm 1%(SSM0204 MELF) | 2    | R49     |
| A2AMK1000A2E       | RCPBH1R0F620 | CHIP RESISTOR(SMT)   | 1R0 50ppm 1%(SSM0207 MELF) | 4    | R30     |
| A2AMK1000A2E       | RCPBH1R0F620 | CHIP RESISTOR(SMT)   | 1R0 50ppm 1%(SSM0207 MELF) | 4    | R31     |
| A2AMK1000A2E       | RCPBH1R0F620 | CHIP RESISTOR(SMT)   | 1R0 50ppm 1%(SSM0207 MELF) | 4    | R32     |
| A2AMK1000A2E       | RCPBH1R0F620 | CHIP RESISTOR(SMT)   | 1R0 50ppm 1%(SSM0207 MELF) | 4    | R33     |
| A2AMK1000A2E       | TRBA01770TC0 | TR                   | MMBT2222ALT1(SMT)          | 4    | Q3      |
| A2AMK1000A2E       | TRBA01770TC0 | TR                   | MMBT2222ALT1(SMT)          | 4    | Q5      |
| A2AMK1000A2E       | TRBA01770TC0 | TR                   | MMBT2222ALT1(SMT)          | 4    | Q7      |
| A2AMK1000A2E       | TRBA01770TC0 | TR                   | MMBT2222ALT1(SMT)          | 4    | Q9      |
| A2AMK1000A2E       | TRBC01950TC0 | TRANSISTOR           | MMBT2907ALT1(SMT)          | 4    | Q10     |
| A2AMK1000A2E       | TRBC01950TC0 | TRANSISTOR           | MMBT2907ALT1(SMT)          | 4    | Q4      |
| A2AMK1000A2E       | TRBC01950TC0 | TRANSISTOR           | MMBT2907ALT1(SMT)          | 4    | Q6      |
| A2AMK1000A2E       | TRBC01950TC0 | TRANSISTOR           | MMBT2907ALT1(SMT)          | 4    | Q8      |
| A2AMK1000A2E       | TRSK00270W20 | MOSFER(100V)         | IRF1540N                   | 4    | Q11     |
| A2AMK1000A2E       | TRSK00270W20 | MOSFER(100V)         | IRF1540N                   | 4    | Q12     |
| A2AMK1000A2E       | TRSK00270W20 | MOSFER(100V)         | IRF1540N                   | 4    | Q14     |
| A2AMK1000A2E       | TRSK00270W20 | MOSFER(100V)         | IRF1540N                   | 4    | Q15     |
| A2AMK1000A2E       | KNCW0201008T | WAFER                | LW0640-08                  | 1    | ST2     |
| A2AMK1000A2E       | KNCW0202001T | WAFER                | 35718-4410                 | 1    | J2      |
| A2AMK1000A2E       | KNCW0203001T | WAFER                | 35725-4410                 | 1    | J1      |
| <b>Ass'y Front</b> |              |                      |                            |      |         |
| A2AMK1000A3E       | CCATF103ZAAF | CAPACITOR CERAMIC    | 0.01uF Z 25V F T           | 4    | C103    |
| A2AMK1000A3E       | CCATF103ZAAF | CAPACITOR CERAMIC    | 0.01uF Z 25V F T           | 4    | C105    |
| A2AMK1000A3E       | CCATF103ZAAF | CAPACITOR CERAMIC    | 0.01uF Z 25V F T           | 4    | C25     |
| A2AMK1000A3E       | CCATF103ZAAF | CAPACITOR CERAMIC    | 0.01uF Z 25V F T           | 4    | C30     |
| A2AMK1000A3E       | CCATJ102KAAB | CAPACITOR CERAMIC    | 1000PF K 50V B T           | 14   | C10     |
| A2AMK1000A3E       | CCATJ102KAAB | CAPACITOR CERAMIC    | 1000PF K 50V B T           | 14   | C15     |
| A2AMK1000A3E       | CCATJ102KAAB | CAPACITOR CERAMIC    | 1000PF K 50V B T           | 14   | C16     |
| A2AMK1000A3E       | CCATJ102KAAB | CAPACITOR CERAMIC    | 1000PF K 50V B T           | 14   | C17     |
| A2AMK1000A3E       | CCATJ102KAAB | CAPACITOR CERAMIC    | 1000PF K 50V B T           | 14   | C20     |
| A2AMK1000A3E       | CCATJ102KAAB | CAPACITOR CERAMIC    | 1000PF K 50V B T           | 14   | C22     |
| A2AMK1000A3E       | CCATJ102KAAB | CAPACITOR CERAMIC    | 1000PF K 50V B T           | 14   | C26     |
| A2AMK1000A3E       | CCATJ102KAAB | CAPACITOR CERAMIC    | 1000PF K 50V B T           | 14   | C31     |
| A2AMK1000A3E       | CCATJ102KAAB | CAPACITOR CERAMIC    | 1000PF K 50V B T           | 14   | C32     |
| A2AMK1000A3E       | CCATJ102KAAB | CAPACITOR CERAMIC    | 1000PF K 50V B T           | 14   | C33     |
| A2AMK1000A3E       | CCATJ102KAAB | CAPACITOR CERAMIC    | 1000PF K 50V B T           | 14   | C34     |
| A2AMK1000A3E       | CCATJ102KAAB | CAPACITOR CERAMIC    | 1000PF K 50V B T           | 14   | C4      |
| A2AMK1000A3E       | CCATJ102KAAB | CAPACITOR CERAMIC    | 1000PF K 50V B T           | 14   | C5      |
| A2AMK1000A3E       | CCATJ102KAAB | CAPACITOR CERAMIC    | 1000PF K 50V B T           | 14   | C8      |
| A2AMK1000A3E       | CCATJ104ZAAF | CAPACITOR CERAMIC    | 0.1uF Z 50V F T            | 2    | C115    |
| A2AMK1000A3E       | CCATJ104ZAAF | CAPACITOR CERAMIC    | 0.1uF Z 50V F T            | 2    | C116    |
| A2AMK1000A3E       | CCATJ220JAAZ | CAPACITOR CERAMIC    | 22PF J 50V SL T            | 1    | C35     |
| A2AMK1000A3E       | CCATJ330JAAZ | CAPACITOR CERAMIC    | 33PF J 50V SL T            | 2    | C1      |
| A2AMK1000A3E       | CCATJ330JAAZ | CAPACITOR CERAMIC    | 33PF J 50V SL T            | 2    | C29     |
| A2AMK1000A3E       | CEETE101MDI0 | CAPACITOR E/ALUMINUM | 100uF M 16V 6.3x11 T       | 1    | C118    |
| A2AMK1000A3E       | CEETF220MCI0 | CAPACITOR E/ALUMINUM | 22uF M 25V 5x11 T          | 1    | C101    |
| A2AMK1000A3E       | CEETF470MCI0 | CAPACITOR E/ALUMINUM | 47uF M 25V 5x11 T          | 4    | C102    |
| A2AMK1000A3E       | CEETF470MCI0 | CAPACITOR E/ALUMINUM | 47uF M 25V 5x11 T          | 4    | C104    |
| A2AMK1000A3E       | CEETF470MCI0 | CAPACITOR E/ALUMINUM | 47uF M 25V 5x11 T          | 4    | C106    |
| A2AMK1000A3E       | CEETF470MCI0 | CAPACITOR E/ALUMINUM | 47uF M 25V 5x11 T          | 4    | C107    |
| A2AMK1000A3E       | CEETJ1R0MCI0 | CAPACITOR E/ALUMINUM | 1.0uF M 50V 5x11 T         | 1    | C108    |
| A2AMK1000A3E       | CEETJ100MCI0 | CAPACITOR E/ALUMINUM | 10uF M 50V 5x11 T          | 7    | C117    |
| A2AMK1000A3E       | CEETJ100MCI0 | CAPACITOR E/ALUMINUM | 10uF M 50V 5x11 T          | 7    | C18     |
| A2AMK1000A3E       | CEETJ100MCI0 | CAPACITOR E/ALUMINUM | 10uF M 50V 5x11 T          | 7    | C19     |
| A2AMK1000A3E       | CEETJ100MCI0 | CAPACITOR E/ALUMINUM | 10uF M 50V 5x11 T          | 7    | C24     |
| A2AMK1000A3E       | CEETJ100MCI0 | CAPACITOR E/ALUMINUM | 10uF M 50V 5x11 T          | 7    | C6      |
| A2AMK1000A3E       | CEETJ100MCI0 | CAPACITOR E/ALUMINUM | 10uF M 50V 5x11 T          | 7    | C7      |
| A2AMK1000A3E       | CEETJ100MCI0 | CAPACITOR E/ALUMINUM | 10uF M 50V 5x11 T          | 7    | C9      |
| A2AMK1000A3E       | CFMTJ474JDF0 | CAPACITOR F/POLYESTR | 0.47uF J 50V 6x8 TL        | 3    | C201    |
| A2AMK1000A3E       | CFMTJ474JDF0 | CAPACITOR F/POLYESTR | 0.47uF J 50V 6x8 TL        | 3    | C27     |
| A2AMK1000A3E       | CFMTJ474JDF0 | CAPACITOR F/POLYESTR | 0.47uF J 50V 6x8 TL        | 3    | C28     |
| A2AMK1000A3E       | CFMTL224JEF0 | CAPACITOR F/POLYESTR | 0.22uF J 63V 7.5x8.5 TL    | 2    | C12     |
| A2AMK1000A3E       | CFMTL224JEF0 | CAPACITOR F/POLYESTR | 0.22uF J 63V 7.5x8.5 TL    | 2    | C14     |
| A2AMK1000A3E       | CFMTL684JF10 | CAPACITOR F/POLYESTR | 0.68uF J 63V 8x11.5 TL     | 2    | C2      |
| A2AMK1000A3E       | CFMTL684JF10 | CAPACITOR F/POLYESTR | 0.68uF J 63V 8x11.5 TL     | 2    | C3      |
| A2AMK1000A3E       | CFMTN154JHH0 | CAPACITOR F/POLYESTR | 0.15uF J 100V 10.3x9.8 T   | 1    | C23     |

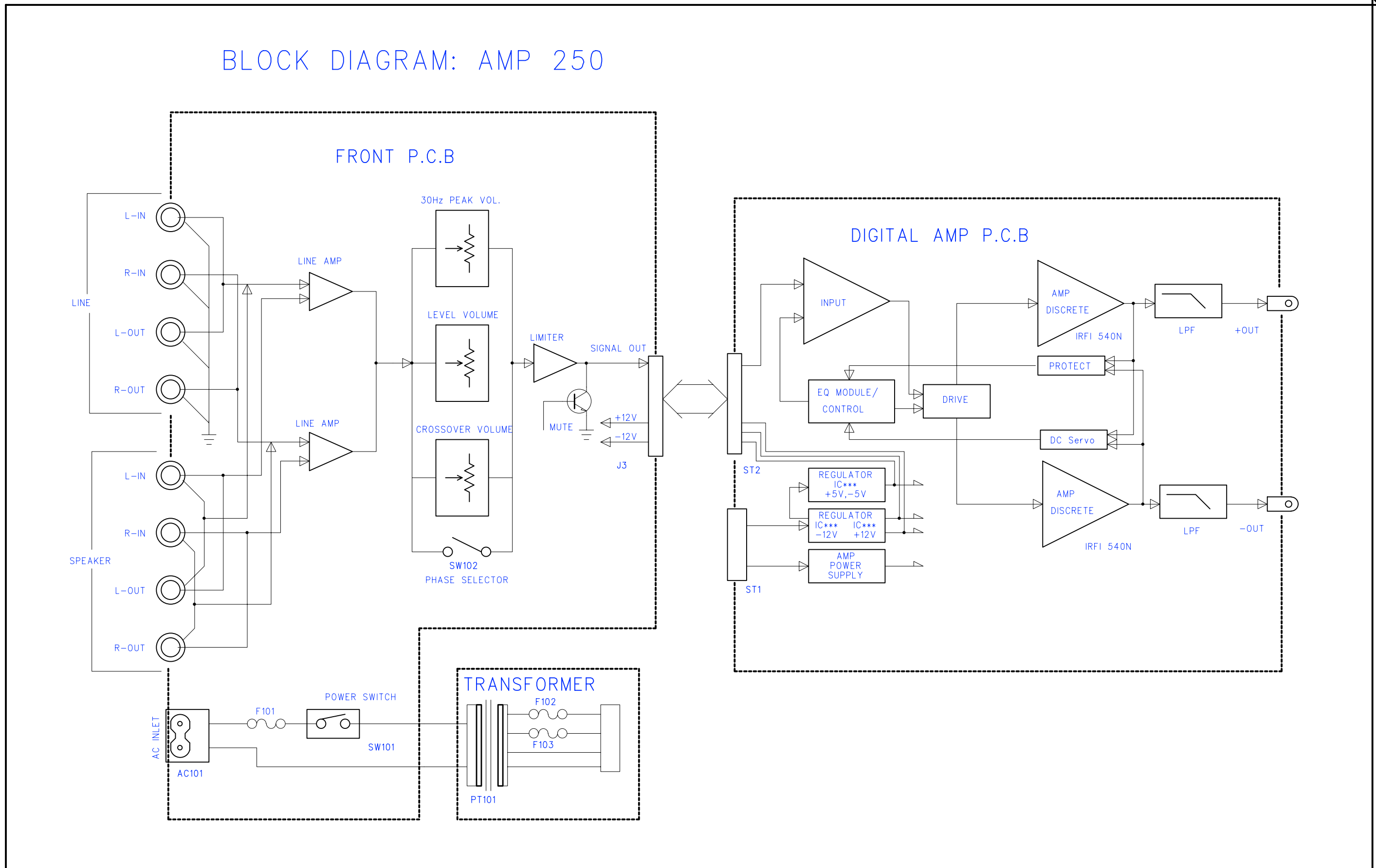
| ASS'Y CODE   | PARTS CODE   | DESCRIPTION          | SPECIFICATION              | Q'TY | Loc. No |
|--------------|--------------|----------------------|----------------------------|------|---------|
| A2AMK1000A3E | CFMTN223JEK0 | CAPACITOR F/POLYESTR | 0.022uF J 100V 7.4x13 T    | 2    | C11     |
| A2AMK1000A3E | CFMTN223JEK0 | CAPACITOR F/POLYESTR | 0.022uF J 100V 7.4x13 T    | 2    | C13     |
| A2AMK1000A3E | CFTTJ104JEC0 | CAPACITOR F/TF       | 0.1uF J 50V ECQ-V1H104JL3  | 1    | C21     |
| A2AMK1000A3E | DDTS00070SO0 | DIODE-SI             | 1SS133 (40V 0.11A) DO-40 T | 9    | D1      |
| A2AMK1000A3E | DDTS00070SO0 | DIODE-SI             | 1SS133 (40V 0.11A) DO-40 T | 9    | D2      |
| A2AMK1000A3E | DDTS00070SO0 | DIODE-SI             | 1SS133 (40V 0.11A) DO-40 T | 9    | D201    |
| A2AMK1000A3E | DDTS00070SO0 | DIODE-SI             | 1SS133 (40V 0.11A) DO-40 T | 9    | D202    |
| A2AMK1000A3E | DDTS00070SO0 | DIODE-SI             | 1SS133 (40V 0.11A) DO-40 T | 9    | D203    |
| A2AMK1000A3E | DDTS00070SO0 | DIODE-SI             | 1SS133 (40V 0.11A) DO-40 T | 9    | D204    |
| A2AMK1000A3E | DDTS00070SO0 | DIODE-SI             | 1SS133 (40V 0.11A) DO-40 T | 9    | D205    |
| A2AMK1000A3E | DDTS00070SO0 | DIODE-SI             | 1SS133 (40V 0.11A) DO-40 T | 9    | D206    |
| A2AMK1000A3E | DDTS00070SO0 | DIODE-SI             | 1SS133 (40V 0.11A) DO-40 T | 9    | D3      |
| A2AMK1000A3E | DPLT00840MG3 | DOT-LED              | LTL-1CHG GRN R3.1          | 1    | LD1     |
| A2AMK1000A3E | ICOP03310TV0 | IC OP AMP            | TL074ACD                   | 2    | U1      |
| A2AMK1000A3E | ICOP03310TV0 | IC OP AMP            | TL074ACD                   | 2    | U2      |
| A2AMK1000A3E | KNCW002402T9 | CONNECTOR-WAFER      | 53014-02 2.0mm WHT         | 1    | CH104   |
| A2AMK1000A3E | KNCW009902T9 | CONNECTOR-WAFER      | JE202A-1T-02               | 2    | CN101   |
| A2AMK1000A3E | KNCW009902T9 | CONNECTOR-WAFER      | JE202A-1T-02               | 2    | CN102   |
| A2AMK1000A3E | MPAC11620004 | FUSE CLIP            | 5.2Pi TAPPING TYPE         | 2    | FC101   |
| A2AMK1000A3E | MPAC11620004 | FUSE CLIP            | 5.2Pi TAPPING TYPE         | 2    | FC102   |
| A2AMK1000A3E | MRAG13710004 | SUPPORT-LED          | RUBBER 12.7m/m             | 1    |         |
| A2AMK1000A3E | PCSA0532011B | PCB                  | A1A-532,FR1(247x247x1.6t)  | 1    | PCB1    |
| A2AMK1000A3E | RCFTE102J000 | RESISTOR-CARBON FILM | 1Kohm 1/5W 5% T            | 1    | R202    |
| A2AMK1000A3E | RCFTE103J000 | RESISTOR-CARBON FILM | 10Kohm 1/5W 5% T           | 5    | R110    |
| A2AMK1000A3E | RCFTE103J000 | RESISTOR-CARBON FILM | 10Kohm 1/5W 5% T           | 5    | R114    |
| A2AMK1000A3E | RCFTE103J000 | RESISTOR-CARBON FILM | 10Kohm 1/5W 5% T           | 5    | R15     |
| A2AMK1000A3E | RCFTE103J000 | RESISTOR-CARBON FILM | 10Kohm 1/5W 5% T           | 5    | R18     |
| A2AMK1000A3E | RCFTE103J000 | RESISTOR-CARBON FILM | 10Kohm 1/5W 5% T           | 5    | R20     |
| A2AMK1000A3E | RCFTE222J000 | RESISTOR-CARBON FILM | 2.2Kohm 1/5W 5% T          | 1    | R107    |
| A2AMK1000A3E | RCFTE223J000 | RESISTOR-CARBON FILM | 22Kohm 1/5W 5% T           | 2    | R26     |
| A2AMK1000A3E | RCFTE223J000 | RESISTOR-CARBON FILM | 22Kohm 1/5W 5% T           | 2    | R33     |
| A2AMK1000A3E | RCFTE271J000 | RESISTOR-CARBON FILM | 270ohm 1/5W 5% T           | 1    | R201    |
| A2AMK1000A3E | RCFTE272J000 | RESISTOR-CARBON FILM | 2.7Kohm 1/5W 5% T          | 3    | R11     |
| A2AMK1000A3E | RCFTE272J000 | RESISTOR-CARBON FILM | 2.7Kohm 1/5W 5% T          | 3    | R6      |
| A2AMK1000A3E | RCFTE272J000 | RESISTOR-CARBON FILM | 2.7Kohm 1/5W 5% T          | 3    | R7      |
| A2AMK1000A3E | RCFTE273J000 | RESISTOR-CARBON FILM | 27Kohm 1/5W 5% T           | 2    | R25     |
| A2AMK1000A3E | RCFTE273J000 | RESISTOR-CARBON FILM | 27Kohm 1/5W 5% T           | 2    | R5      |
| A2AMK1000A3E | RCFTE393J000 | RESISTOR-CARBON FILM | 39Kohm 1/5W 5% T           | 1    | R30     |
| A2AMK1000A3E | RCFTE433J000 | RESISTOR-CARBON FILM | 43Kohm 1/5W 5% T           | 1    | R24     |
| A2AMK1000A3E | RCFTE470J000 | RESISTOR-CARBON FILM | 47ohm 1/5W 5% T            | 4    | R102    |
| A2AMK1000A3E | RCFTE470J000 | RESISTOR-CARBON FILM | 47ohm 1/5W 5% T            | 4    | R103    |
| A2AMK1000A3E | RCFTE470J000 | RESISTOR-CARBON FILM | 47ohm 1/5W 5% T            | 4    | R104    |
| A2AMK1000A3E | RCFTE470J000 | RESISTOR-CARBON FILM | 47ohm 1/5W 5% T            | 4    | R105    |
| A2AMK1000A3E | RCFTE472J000 | RESISTOR-CARBON FILM | 4.7Kohm 1/5W 5% T          | 5    | R106    |
| A2AMK1000A3E | RCFTE472J000 | RESISTOR-CARBON FILM | 4.7Kohm 1/5W 5% T          | 5    | R108    |
| A2AMK1000A3E | RCFTE472J000 | RESISTOR-CARBON FILM | 4.7Kohm 1/5W 5% T          | 5    | R109    |
| A2AMK1000A3E | RCFTE472J000 | RESISTOR-CARBON FILM | 4.7Kohm 1/5W 5% T          | 5    | R34     |
| A2AMK1000A3E | RCFTE472J000 | RESISTOR-CARBON FILM | 4.7Kohm 1/5W 5% T          | 5    | R35     |
| A2AMK1000A3E | RCFTE473J000 | RESISTOR-CARBON FILM | 47Kohm 1/5W 5% T           | 7    | R111    |
| A2AMK1000A3E | RCFTE473J000 | RESISTOR-CARBON FILM | 47Kohm 1/5W 5% T           | 7    | R17     |
| A2AMK1000A3E | RCFTE473J000 | RESISTOR-CARBON FILM | 47Kohm 1/5W 5% T           | 7    | R22     |
| A2AMK1000A3E | RCFTE473J000 | RESISTOR-CARBON FILM | 47Kohm 1/5W 5% T           | 7    | R28     |
| A2AMK1000A3E | RCFTE473J000 | RESISTOR-CARBON FILM | 47Kohm 1/5W 5% T           | 7    | R29     |
| A2AMK1000A3E | RCFTE473J000 | RESISTOR-CARBON FILM | 47Kohm 1/5W 5% T           | 7    | R3      |
| A2AMK1000A3E | RCFTE473J000 | RESISTOR-CARBON FILM | 47Kohm 1/5W 5% T           | 7    | R4      |
| A2AMK1000A3E | RCFTE474J000 | RESISTOR-CARBON FILM | 470Kohm 1/5W 5% T          | 4    | R12     |
| A2AMK1000A3E | RCFTE474J000 | RESISTOR-CARBON FILM | 470Kohm 1/5W 5% T          | 4    | R16     |
| A2AMK1000A3E | RCFTE474J000 | RESISTOR-CARBON FILM | 470Kohm 1/5W 5% T          | 4    | R19     |
| A2AMK1000A3E | RCFTE474J000 | RESISTOR-CARBON FILM | 470Kohm 1/5W 5% T          | 4    | R21     |
| A2AMK1000A3E | RCFTE513J000 | RESISTOR-CARBON FILM | 51Kohm 1/5W 5% T           | 1    | R27     |
| A2AMK1000A3E | RCFTE562J000 | RESISTOR-CARBON FILM | 5.6Kohm 1/5W 5% T          | 4    | R10     |
| A2AMK1000A3E | RCFTE562J000 | RESISTOR-CARBON FILM | 5.6Kohm 1/5W 5% T          | 4    | R112    |
| A2AMK1000A3E | RCFTE562J000 | RESISTOR-CARBON FILM | 5.6Kohm 1/5W 5% T          | 4    | R113    |
| A2AMK1000A3E | RCFTE562J000 | RESISTOR-CARBON FILM | 5.6Kohm 1/5W 5% T          | 4    | R23     |
| A2AMK1000A3E | RCFTE563J000 | RESISTOR-CARBON FILM | 56Kohm 1/5W 5% T           | 1    | R31     |
| A2AMK1000A3E | RCFTE683J000 | RESISTOR-CARBON FILM | 68Kohm 1/5W 5% T           | 3    | R1      |
| A2AMK1000A3E | RCFTE683J000 | RESISTOR-CARBON FILM | 68Kohm 1/5W 5% T           | 3    | R14     |
| A2AMK1000A3E | RCFTE683J000 | RESISTOR-CARBON FILM | 68Kohm 1/5W 5% T           | 3    | R9      |

| ASS'Y CODE       | PARTS CODE   | DESCRIPTION          | SPECIFICATION              | Q'TY | Loc. No |
|------------------|--------------|----------------------|----------------------------|------|---------|
| A2AMK1000A3E     | RJWT0000AAA0 | RESISTOR-JUMPER WIRE | 60mm-TX123 F               | 35   | JW1     |
| A2AMK1000A3E     | RJWT0000AAA0 | RESISTOR-JUMPER WIRE | 60mm-TX123 F               | 35   | JW14    |
| A2AMK1000A3E     | RJWT0000AAA0 | RESISTOR-JUMPER WIRE | 60mm-TX123 F               | 35   | JW15    |
| A2AMK1000A3E     | RJWT0000AAA0 | RESISTOR-JUMPER WIRE | 60mm-TX123 F               | 35   | JW16    |
| A2AMK1000A3E     | RJWT0000AAA0 | RESISTOR-JUMPER WIRE | 60mm-TX123 F               | 35   | JW17    |
| A2AMK1000A3E     | RJWT0000AAA0 | RESISTOR-JUMPER WIRE | 60mm-TX123 F               | 35   | JW18    |
| A2AMK1000A3E     | RJWT0000AAA0 | RESISTOR-JUMPER WIRE | 60mm-TX123 F               | 35   | JW19    |
| A2AMK1000A3E     | RJWT0000AAA0 | RESISTOR-JUMPER WIRE | 60mm-TX123 F               | 35   | JW2     |
| A2AMK1000A3E     | RJWT0000AAA0 | RESISTOR-JUMPER WIRE | 60mm-TX123 F               | 35   | JW20    |
| A2AMK1000A3E     | RJWT0000AAA0 | RESISTOR-JUMPER WIRE | 60mm-TX123 F               | 35   | JW21    |
| A2AMK1000A3E     | RJWT0000AAA0 | RESISTOR-JUMPER WIRE | 60mm-TX123 F               | 35   | JW22    |
| A2AMK1000A3E     | RJWT0000AAA0 | RESISTOR-JUMPER WIRE | 60mm-TX123 F               | 35   | JW23    |
| A2AMK1000A3E     | RJWT0000AAA0 | RESISTOR-JUMPER WIRE | 60mm-TX123 F               | 35   | JW24    |
| A2AMK1000A3E     | RJWT0000AAA0 | RESISTOR-JUMPER WIRE | 60mm-TX123 F               | 35   | JW25    |
| A2AMK1000A3E     | RJWT0000AAA0 | RESISTOR-JUMPER WIRE | 60mm-TX123 F               | 35   | JW26    |
| A2AMK1000A3E     | RJWT0000AAA0 | RESISTOR-JUMPER WIRE | 60mm-TX123 F               | 35   | JW27    |
| A2AMK1000A3E     | RJWT0000AAA0 | RESISTOR-JUMPER WIRE | 60mm-TX123 F               | 35   | JW28    |
| A2AMK1000A3E     | RJWT0000AAA0 | RESISTOR-JUMPER WIRE | 60mm-TX123 F               | 35   | JW29    |
| A2AMK1000A3E     | RJWT0000AAA0 | RESISTOR-JUMPER WIRE | 60mm-TX123 F               | 35   | JW30    |
| A2AMK1000A3E     | RJWT0000AAA0 | RESISTOR-JUMPER WIRE | 60mm-TX123 F               | 35   | JW31    |
| A2AMK1000A3E     | RJWT0000AAA0 | RESISTOR-JUMPER WIRE | 60mm-TX123 F               | 35   | JW32    |
| A2AMK1000A3E     | RJWT0000AAA0 | RESISTOR-JUMPER WIRE | 60mm-TX123 F               | 35   | JW33    |
| A2AMK1000A3E     | RJWT0000AAA0 | RESISTOR-JUMPER WIRE | 60mm-TX123 F               | 35   | JW34    |
| A2AMK1000A3E     | RJWT0000AAA0 | RESISTOR-JUMPER WIRE | 60mm-TX123 F               | 35   | JW35    |
| A2AMK1000A3E     | RJWT0000AAA0 | RESISTOR-JUMPER WIRE | 60mm-TX123 F               | 35   | JW36    |
| A2AMK1000A3E     | RJWT0000AAA0 | RESISTOR-JUMPER WIRE | 60mm-TX123 F               | 35   | JW37    |
| A2AMK1000A3E     | RJWT0000AAA0 | RESISTOR-JUMPER WIRE | 60mm-TX123 F               | 35   | JW38    |
| A2AMK1000A3E     | RJWT0000AAA0 | RESISTOR-JUMPER WIRE | 60mm-TX123 F               | 35   | JW39    |
| A2AMK1000A3E     | RJWT0000AAA0 | RESISTOR-JUMPER WIRE | 60mm-TX123 F               | 35   | JW4     |
| A2AMK1000A3E     | RJWT0000AAA0 | RESISTOR-JUMPER WIRE | 60mm-TX123 F               | 35   | JW40    |
| A2AMK1000A3E     | RJWT0000AAA0 | RESISTOR-JUMPER WIRE | 60mm-TX123 F               | 35   | JW5     |
| A2AMK1000A3E     | RJWT0000AAA0 | RESISTOR-JUMPER WIRE | 60mm-TX123 F               | 35   | JW6     |
| A2AMK1000A3E     | RJWT0000AAA0 | RESISTOR-JUMPER WIRE | 60mm-TX123 F               | 35   | JW7     |
| A2AMK1000A3E     | RJWT0000AAA0 | RESISTOR-JUMPER WIRE | 60mm-TX123 F               | 35   | JW8     |
| A2AMK1000A3E     | RJWT0000AAA0 | RESISTOR-JUMPER WIRE | 60mm-TX123 F               | 35   | JW9     |
| A2AMK1000A3E     | SKAO0220C50  | AC POWER SOCKET      | HJC-028                    | 1    | AC101   |
| A2AMK1000A3E     | SKRC00400041 | SOCKET-RCA           | JK0400450N                 | 1    | J1      |
| A2AMK1000A3E     | SWSL01000098 | SLIDE SWITCH         | SSAF122NB                  | 1    | SW102   |
| A2AMK1000A3E     | TESP0046008S | TERMINAL SPEAKER     | SH0810361P 8P              | 1    | J2      |
| A2AMK1000A3E     | TRTA0008YSD0 | TRANSISTOR P-H FREQ  | KTA1266-Y TO92             | 1    | Q106    |
| A2AMK1000A3E     | TRTA00940SD0 | TRANSISTOR P-H FREQ  | KRA107M W/RESIST TO92M     | 3    | Q101    |
| A2AMK1000A3E     | TRTA00940SD0 | TRANSISTOR P-H FREQ  | KRA107M W/RESIST TO92M     | 3    | Q104    |
| A2AMK1000A3E     | TRTA00940SD0 | TRANSISTOR P-H FREQ  | KRA107M W/RESIST TO92M     | 3    | Q105    |
| A2AMK1000A3E     | TRTD00200SD0 | TRANSISTOR N-L FREQ  | KTD-1302 TO92              | 2    | Q102    |
| A2AMK1000A3E     | TRTD00200SD0 | TRANSISTOR N-L FREQ  | KTD-1302 TO92              | 2    | Q103    |
| A2AMK1000A3E     | U20811713250 | WIRE-ASS'Y           | UL1007#26 BRN-130          | 1    |         |
| A2AMK1000A3E     | U3629B312480 | WIRE-ASS'Y           | UL1618#18 WHT 120 3P       | 1    |         |
| A2AMK1000A3E     | U82971613200 | WIRE-ASS'Y           | UL1007#24 VIT-130          | 1    |         |
| A2AMK1000A3E     | CACSS472M200 | CAPACITOR AC         | KH DE1310E 472M 250V P10mm | 1    | C114    |
| A2AMK1000A3E     | VRDED024B103 | V/R RK09 10KB*4      | RK0971410-10KBx4           | 1    | VR101   |
| A2AMK1000A3E     | VRDED025A503 | V/R RK09 50KA        | RK0971110-50KA             | 2    | VR201   |
| A2AMK1000A3E     | VRDED025A503 | V/R RK09 50KA        | RK0971110-50KA             | 2    | VR301   |
| <b>Ass'y Sub</b> |              |                      |                            |      |         |
| A2AMK1000AZE     | ZBNG007004ZL | BOND-ADHESIVE        | #575                       | 0.5  |         |
| A2AMK1000AZE     | ZSBR00010060 | SOLDER-BAR           | SN60                       | 15   |         |
| A2AMK1000AZE     | ZSWR00010F60 | SOLDER-WIRE          | D1.0 SN60                  | 15   | #       |
| A2AMK1000AZE     | ZZFX00010000 | FLUX                 | ROSIN 28                   | 7    | #       |
| A2AMK1000AZE     | ZZTH00010000 | DILUENT              | ROSIN                      | 2    |         |
| A2AMK1000AZE     | ZBNG004000ZL | BOND-ADHESIVE        | SC-306                     | 0.5  |         |



| NO | DATE | POS. | CONTENTS | NO | DATE | POS. | CONTENTS |
|----|------|------|----------|----|------|------|----------|
|    |      |      |          |    |      |      |          |

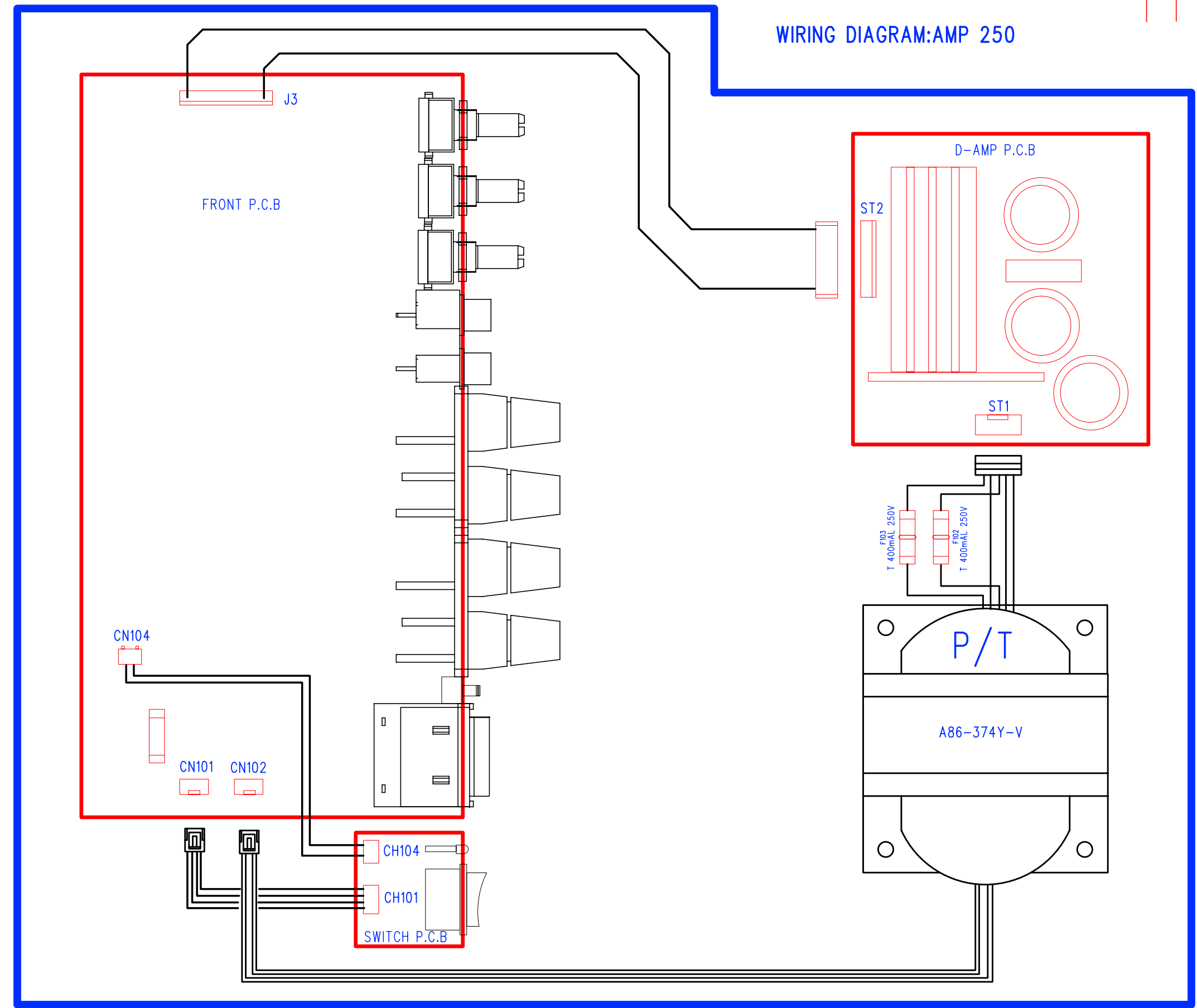
# BLOCK DIAGRAM: AMP 250



| CONFIDENTIAL/CONTROL COPY |                            |        |      |                |
|---------------------------|----------------------------|--------|------|----------------|
| FILENAME<br>AMP250BK.SCH  | CODE NO.<br>GBAM-K1000-A0E | DESIGN |      | SHEET<br>1 / 1 |
| MODEL<br>AMP 250          | DESIGN<br>HyungWon<br>Kang | CHKD   | CHKD | APPROVAL       |
| DESIGN DATE<br>2000.07.11 | 2000.07.11                 |        |      | 2000.07.12     |

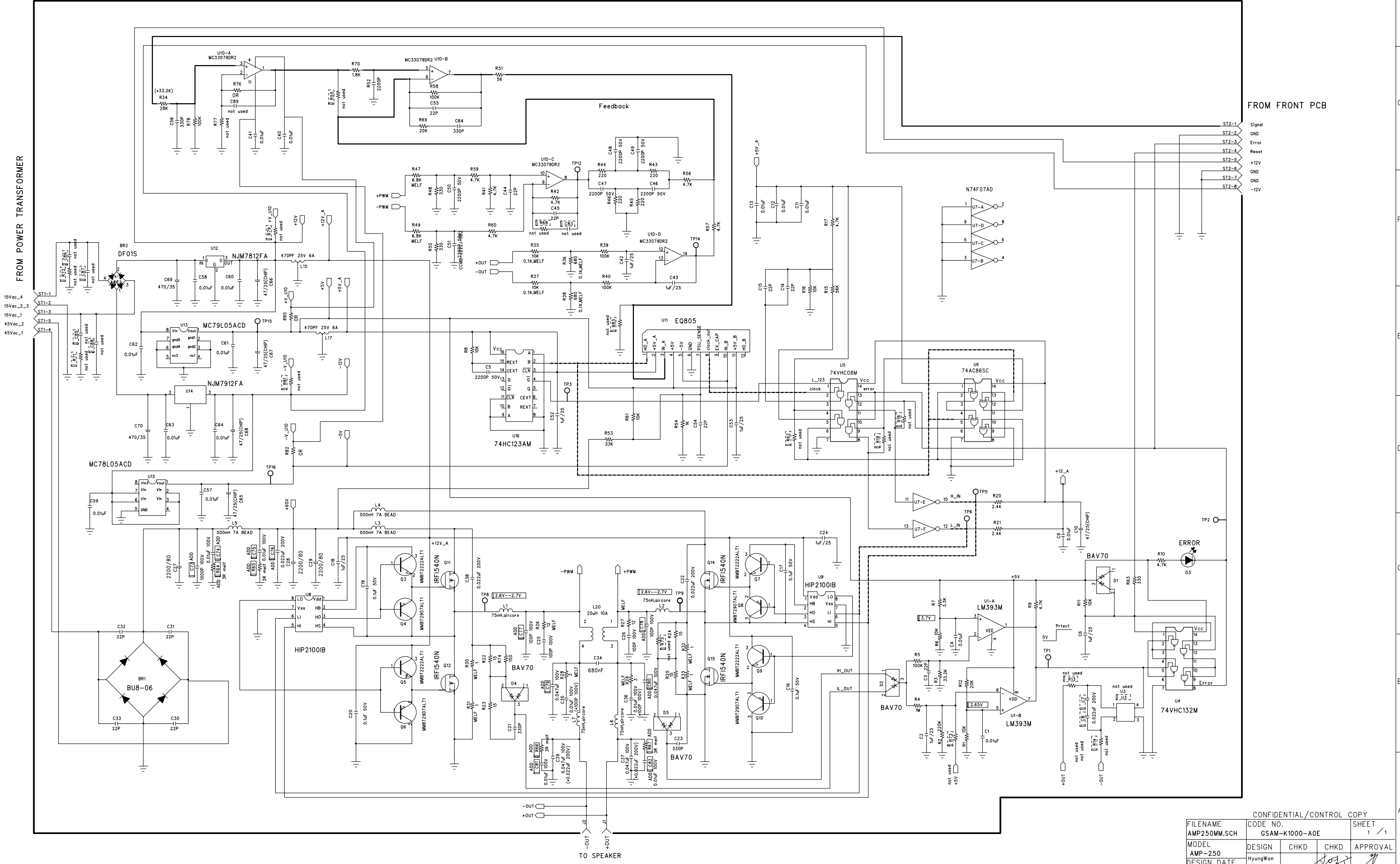
| 3  |      |      |          | 2  |      |      |          | 1  |      |      |          |
|----|------|------|----------|----|------|------|----------|----|------|------|----------|
| NO | DATE | POS. | CONTENTS | NO | DATE | POS. | CONTENTS | NO | DATE | POS. | CONTENTS |
|    |      |      |          |    |      |      |          |    |      |      |          |

WIRING DIAGRAM:AMP 250



| CONFIDENTIAL/CONTROL COPY |                            |                    |                        |
|---------------------------|----------------------------|--------------------|------------------------|
| FILENAME<br>AMP250WIJOB   | CODE NO.<br>GWAM-K1000-A0E | SHEET<br>1 / 1     |                        |
| MODEL<br>AMP-250          | DESIGN<br>HyungWon Kang    | CHKD<br>2000.07.12 | APPROVAL<br>2000.07.12 |
| DESIGN DATE<br>2000.07.11 |                            |                    |                        |

# CIRCUIT DIAGRAM: AMP-250 DIGITAL AMPLIFIER(MP 2000.07.11)



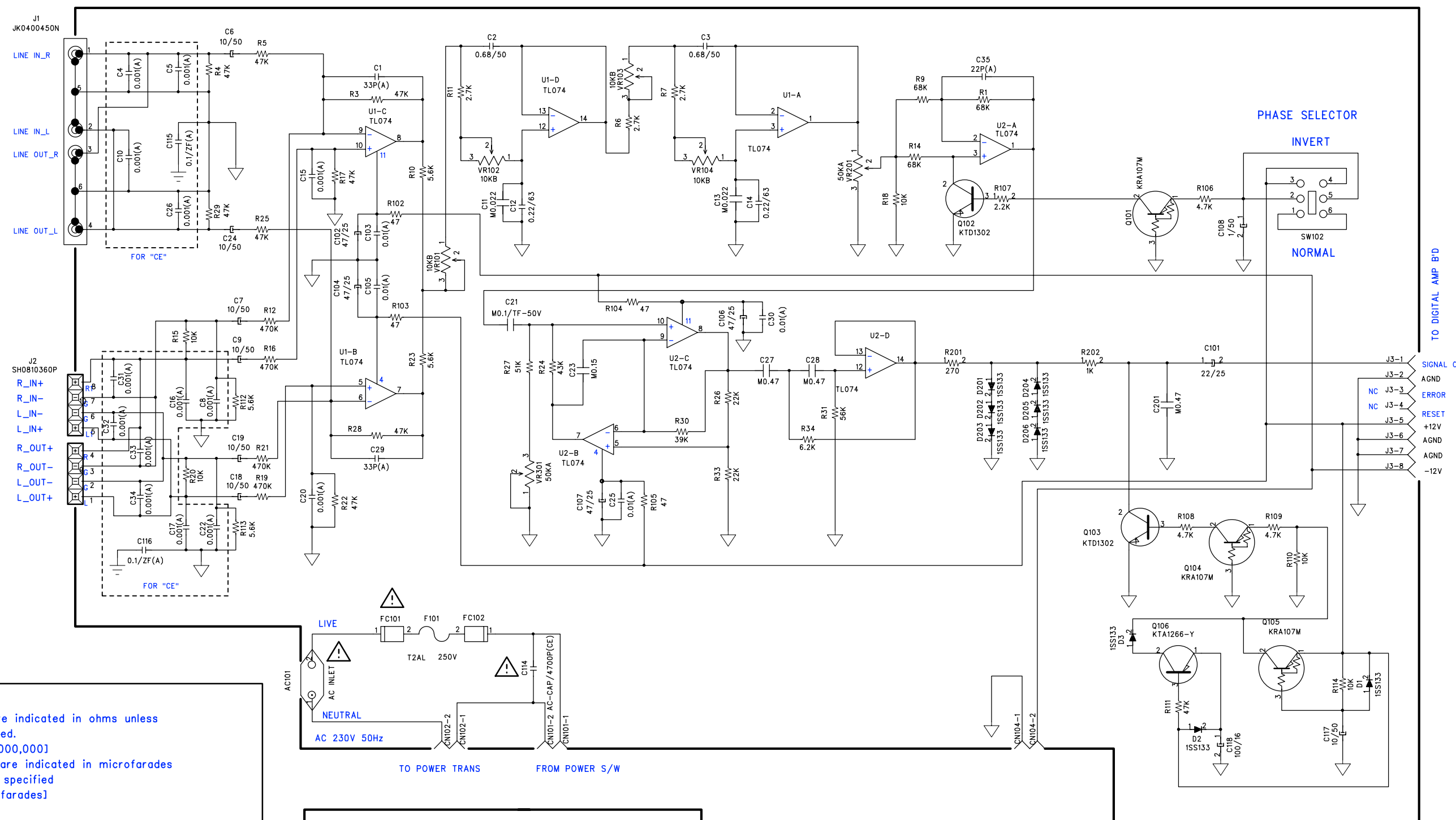
FROM FRONT PCB

- ST2-1 Signal
- ST2-2 GND
- ST2-3 Error
- ST2-4 Reset
- ST2-5 +12V
- ST2-6 GND
- ST2-7 GND
- ST2-8 -12V

|                           |                            |                |            |            |
|---------------------------|----------------------------|----------------|------------|------------|
| CONFIDENTIAL/CONTROL COPY |                            |                |            |            |
| FILENAME<br>AMP250MM.SCH  | CODE NO.<br>GSAM-K1000-A0E | SHEET<br>1 / 1 |            |            |
| MODEL<br>AMP-250          | DESIGN                     | CHKD           | CHKD       | APPROVAL   |
| DESIGN DATE<br>2000.07.11 | HyungWon<br>Kang           | 2000.07.12     | 2000.07.12 | 2000.07.12 |

| NO | DATE | POS. | CONTENTS | NO | DATE | POS. | CONTENTS |
|----|------|------|----------|----|------|------|----------|
|    |      |      |          |    |      |      |          |

# CIRCUIT DIAGRAM: AMP-250 FRONT (MP 07-11-2000)



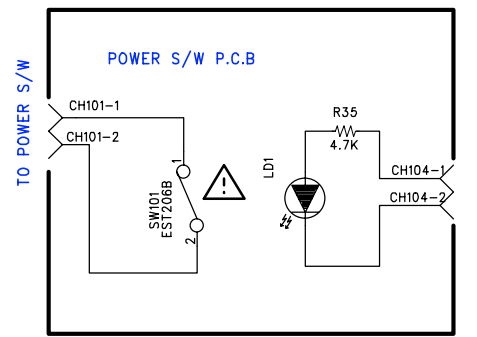
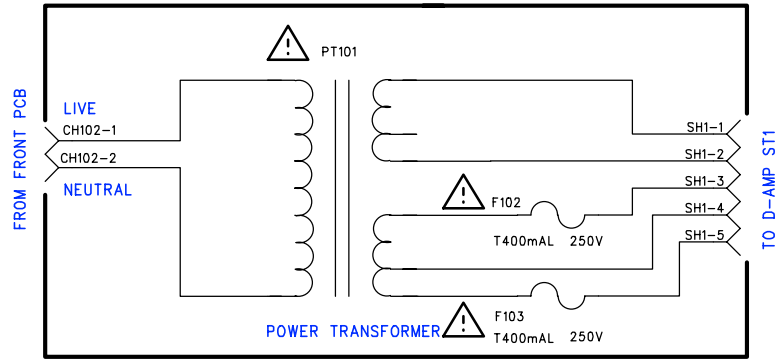
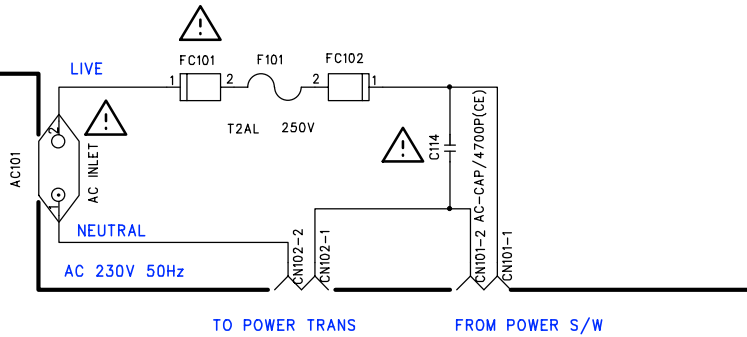
**NOTES**

- Resistor values are indicated in ohms unless otherwise specified.  
[K=1,000 M=1,000,000]
- Capacitor values are indicated in microfarades unless otherwise specified  
[p=micro-micro farades]

**CAUTION**

Safety precaution to be followed during servicing

- Since those parts marked with are critical parts for safety. Use only the one described in the parts list.
- Before returning the set to the customer make appropriate leakage current or resistance measurements to determine the exposed parts are properly insulated from the supply circuit.

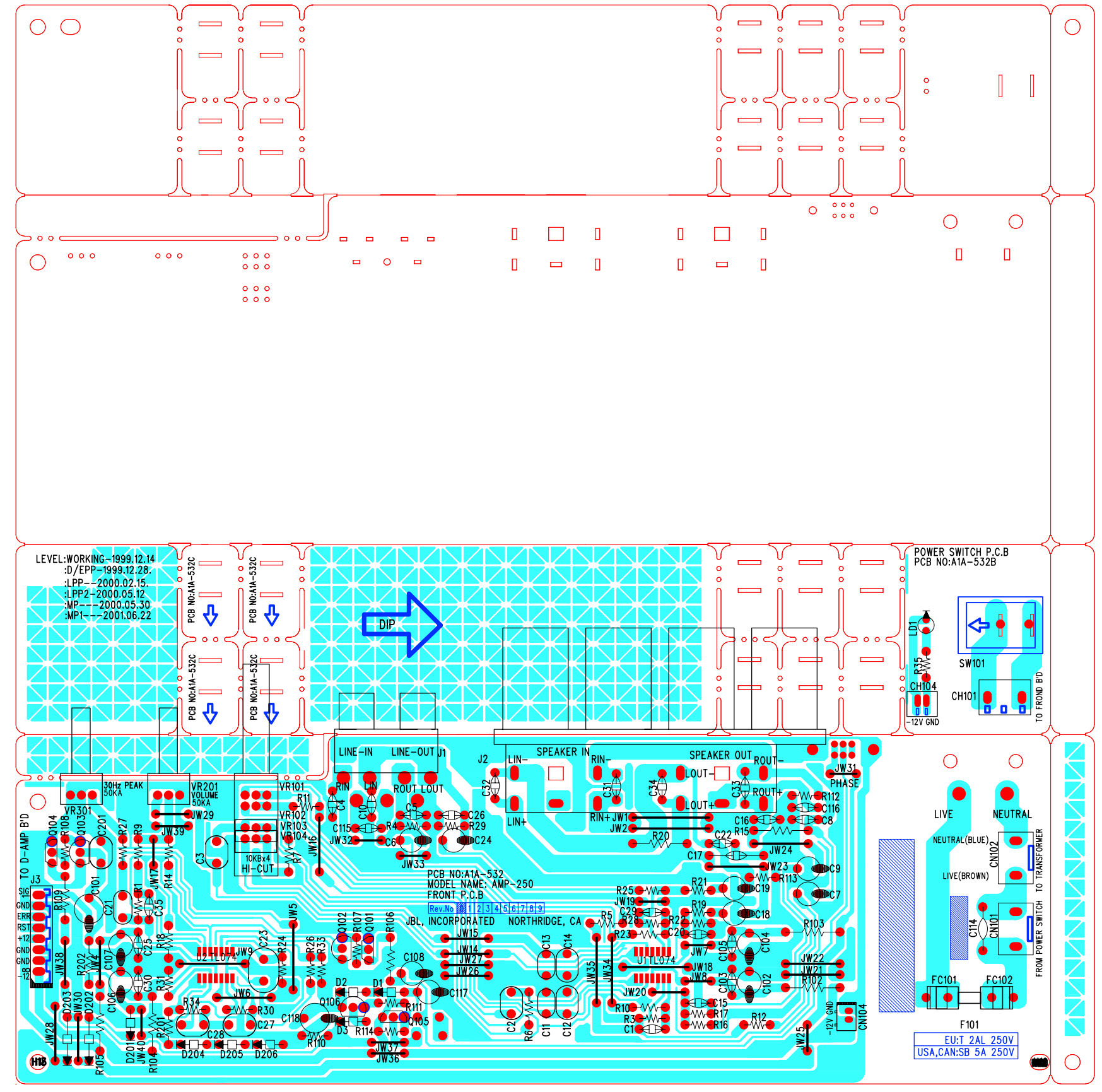


CONFIDENTIAL/CONTROL COPY

|                           |                            |                        |
|---------------------------|----------------------------|------------------------|
| FILENAME<br>AMP250FM.SCH  | CODE NO.<br>GSAM-K1000-B0E | SHEET<br>1 / 1         |
| MODEL<br>AMP250(FRONT)    | DESIGN<br>HyungWan<br>Kang | CHKD<br>               |
| DESIGN DATE<br>2000.07.11 | 2000.07.11                 | APPROVAL<br>2000.07.12 |

| NO | DATE | POS. | CONTENTS | NO | DATE | POS. | CONTENTS |
|----|------|------|----------|----|------|------|----------|
|    |      |      |          |    |      |      |          |

LAYOUT DIAGRAM:AMP 250 FRONT P.C.BOARD



LEVEL:WORKING-1999.12.14  
 :D/EPP-1999.12.28  
 :LPP2-2000.02.15  
 :LPP2-2000.05.12  
 :MP-2000.05.30  
 :MP1-2001.06.22

POWER SWITCH P.C.B  
 PCB NO:A1A-532B

DIP

PCB NO:A1A-532  
 MODEL NAME: AMP-250  
 FRONT P.C.B  
 Rev.No 111231416171819  
 JBL, INCORPORATED  
 NORTHBRIDGE, CA

F101  
 EU:T 2AL 250V  
 USA,CAN:SB 5A 250V

| CONFIDENTIAL/CONTROL COPY |                |       |      |          |
|---------------------------|----------------|-------|------|----------|
| FILENAME                  | CODE NO.       | SHEET |      | APPROVAL |
| AMP25FM_A.pcb             | GLAM-K1000-BOE | 1 / 1 |      |          |
| MODEL                     | DESIGN         | CHKD  | CHKD |          |
| AMP_250                   |                |       |      |          |
| DESIGN DATE               |                |       |      |          |
| 2001.06.29                | HyungWon Kang  |       |      |          |
|                           | 2001.06.29     |       |      |          |