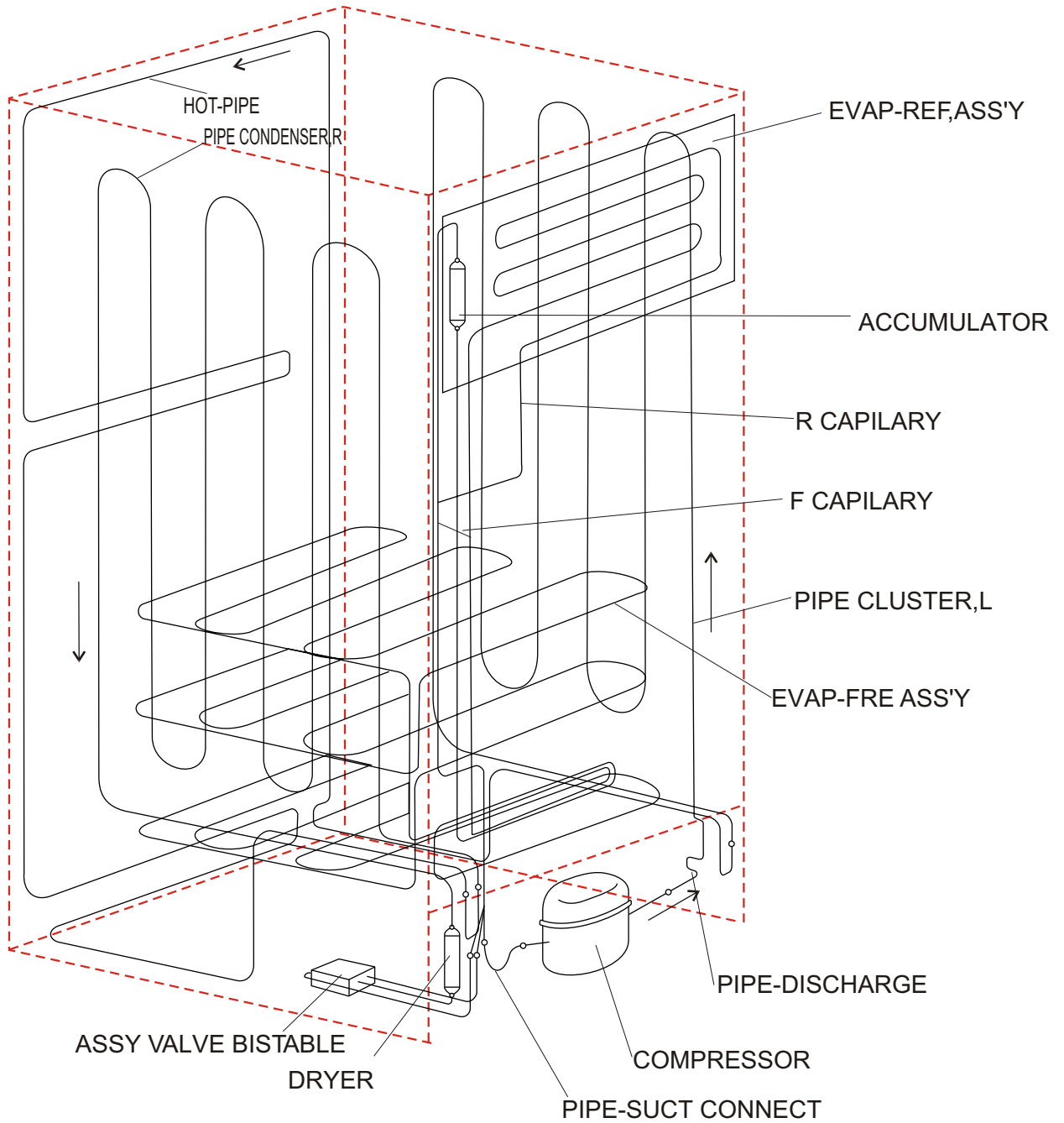


# 5. COOLING SYSTEM CYCLE WORKFOLW



○ 25% silver welding rod soldering
● 2% silver welding rod soldering
flash soldering (aluminium/braze)