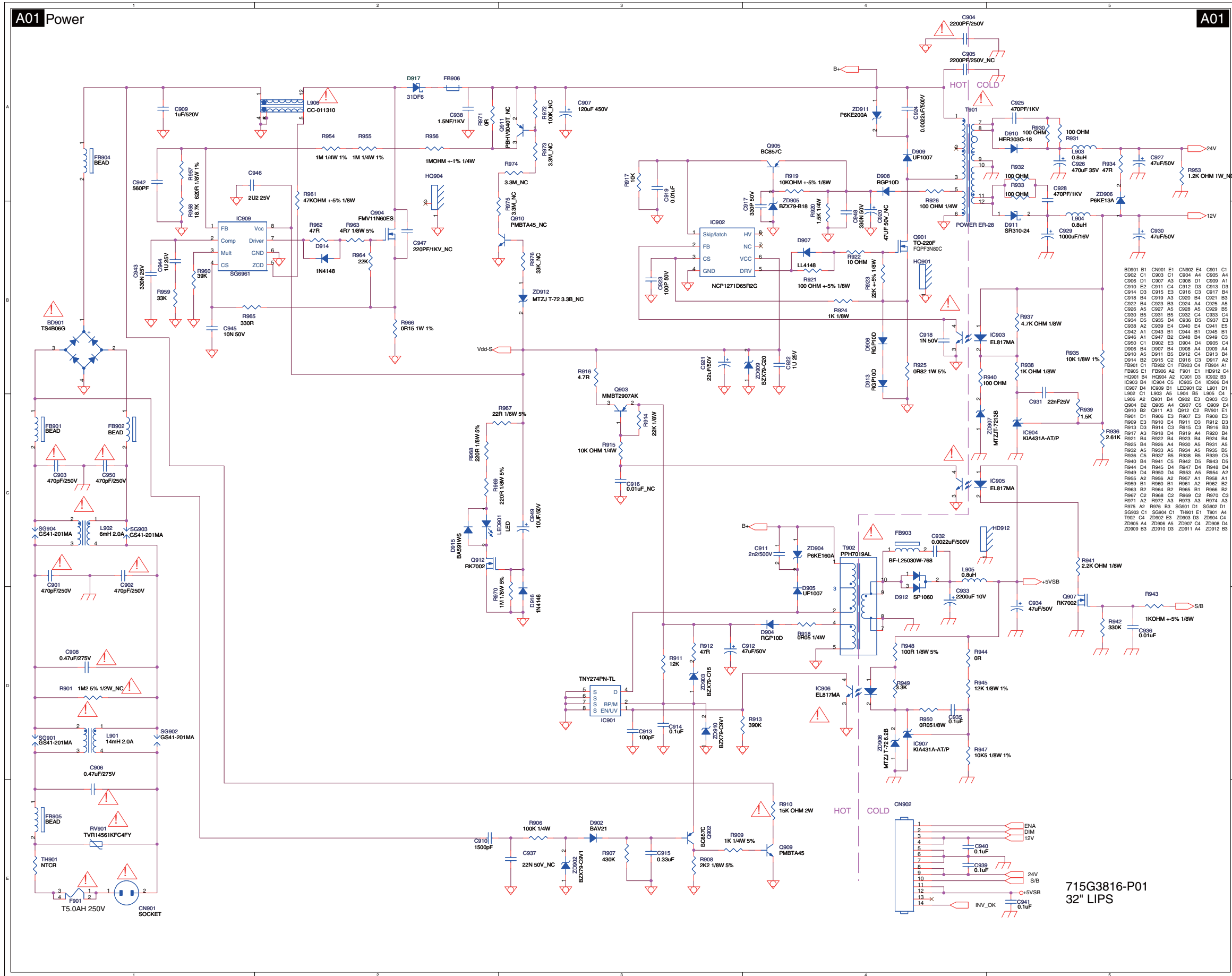


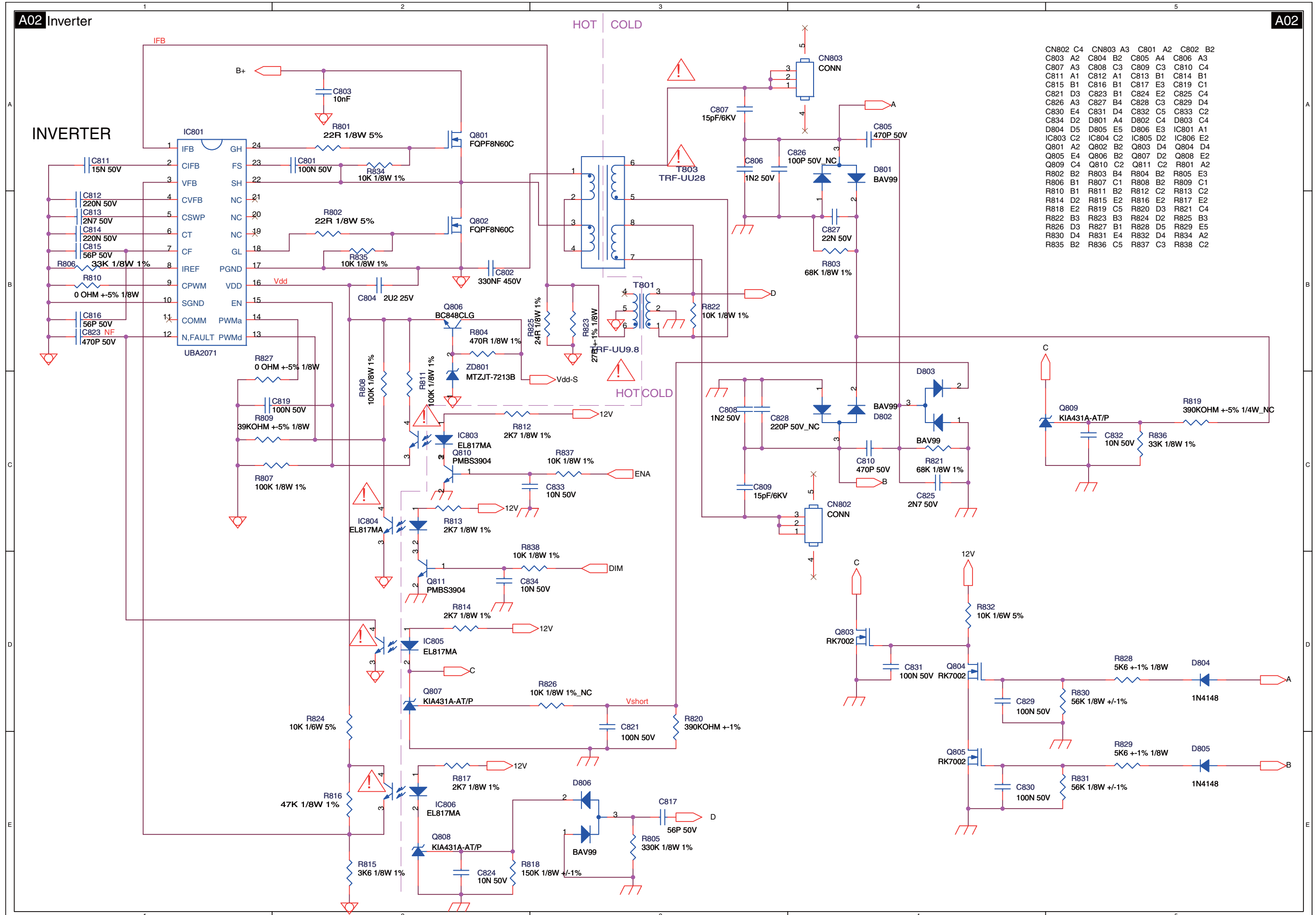
# 10. Circuit Diagrams and PWB Layouts

## Power Board: Power, 32"



715G3816-P01  
32" LIPS

Power Board: Inverter, 32"



|       |    |       |    |       |    |       |    |
|-------|----|-------|----|-------|----|-------|----|
| CN802 | C4 | CN803 | A3 | C801  | A2 | C802  | B2 |
| C803  | A2 | C804  | B2 | C805  | A4 | C806  | A3 |
| C807  | A3 | C808  | C3 | C809  | C3 | C810  | C4 |
| C811  | A1 | C812  | A1 | C813  | B1 | C814  | B1 |
| C815  | B1 | C816  | B1 | C817  | E3 | C818  | C1 |
| C821  | D3 | C823  | B1 | C824  | E2 | C825  | C4 |
| C826  | A3 | C827  | B4 | C828  | C3 | C829  | D4 |
| C830  | E4 | C831  | D4 | C832  | C5 | C833  | C2 |
| C834  | D2 | D801  | A4 | D802  | C4 | D803  | C4 |
| D804  | D5 | D805  | E5 | D806  | E3 | IC801 | A1 |
| IC803 | C2 | IC804 | C2 | IC805 | D2 | IC806 | E2 |
| Q801  | A2 | Q802  | B2 | Q803  | D4 | Q804  | D4 |
| Q805  | E4 | Q806  | B2 | Q807  | D2 | Q808  | E2 |
| Q809  | C4 | Q810  | C2 | Q811  | C2 | R801  | A2 |
| R802  | B2 | R803  | B4 | R804  | B2 | R805  | E3 |
| R806  | B1 | R807  | C1 | R808  | B2 | R809  | C1 |
| R810  | B1 | R811  | B2 | R812  | C2 | R813  | C2 |
| R814  | D2 | R815  | E2 | R816  | E2 | R817  | E2 |
| R818  | E2 | R819  | C5 | R820  | D3 | R821  | C4 |
| R822  | B3 | R823  | B3 | R824  | D2 | R825  | B3 |
| R826  | D3 | R827  | B1 | R828  | D5 | R829  | E5 |
| R830  | D4 | R831  | E4 | R832  | D4 | R834  | A2 |
| R835  | B2 | R836  | C5 | R837  | C3 | R838  | C2 |