

Service Manual



Colour Television

TC-21PM10R

MX-7 Chassis

Specifications

Power Source : AC AUTO 110-240V, 50/60Hz

Power Consumption : 81W

Aerial Impedance: 75 Ω unbalanced
Coaxial type

Receiving System : 17 System

Receiving Channels :

VHF	2-12	(PAL/SECAM B,K1)
	0-12	(PAL B AUST)
	1-9	(PAL B N.Z)
	1-12	(PAL/SECAM D)
	1-12	(NTSC M JAPAN)
	2-13	(NTSC M U.S.A)
UHF	21-69	(PAL G,H,I/SECAM G,K,K1)
	28-69	(PAL B AUST)
	13-57	(PAL D,K)
	13-62	(NTSC M JAPAN)
	14-69	(NTSC M U.S.A)
CATV	S1-S41	(OSCAR)
	1-125	(U.S.A CATV)
	C13-C41	(JAPAN)
	S21-S41	(HYPER)
	Z1-Z37	(CHINA)

Intermediate Frequency :

Video	38.0 MHz
Sound	31.5 MHz (D,K) / 32.5MHz (B,G)
	32.0 MHz (I) / 32.5MHz (M)
Colour	33.57 MHz (PAL)
	33.6 MHz (SECAM)
	32.5 MHz (B,G)
	33.75 MHz (SECAM)
	34.42 MHz (NTSC)

Video / Audio Terminals :

FAV In :	Video In 1 Vp-p 75 Ω
	Video In Approx, 400mVrms
RAV In :	Video In 1 Vp-p 75 Ω
	Audio In Approx, 400mVrms
Monitor Out :	Video Out 1 Vp-p 75 Ω
	Audio Out Approx, 400mVrms

High Voltage : 28.0 kV (+/- 1.0)
at zero beam current

Picture Tube : XA51LSK955X-A
51 cm (2 $\frac{1}{8}$ inches)
Measured diagonally, 90° deflection

Audio Output : 3.5W

Dimensions : Height : 470 mm
Width : 508 mm
Depth : 475 mm

Mass : 23 kg

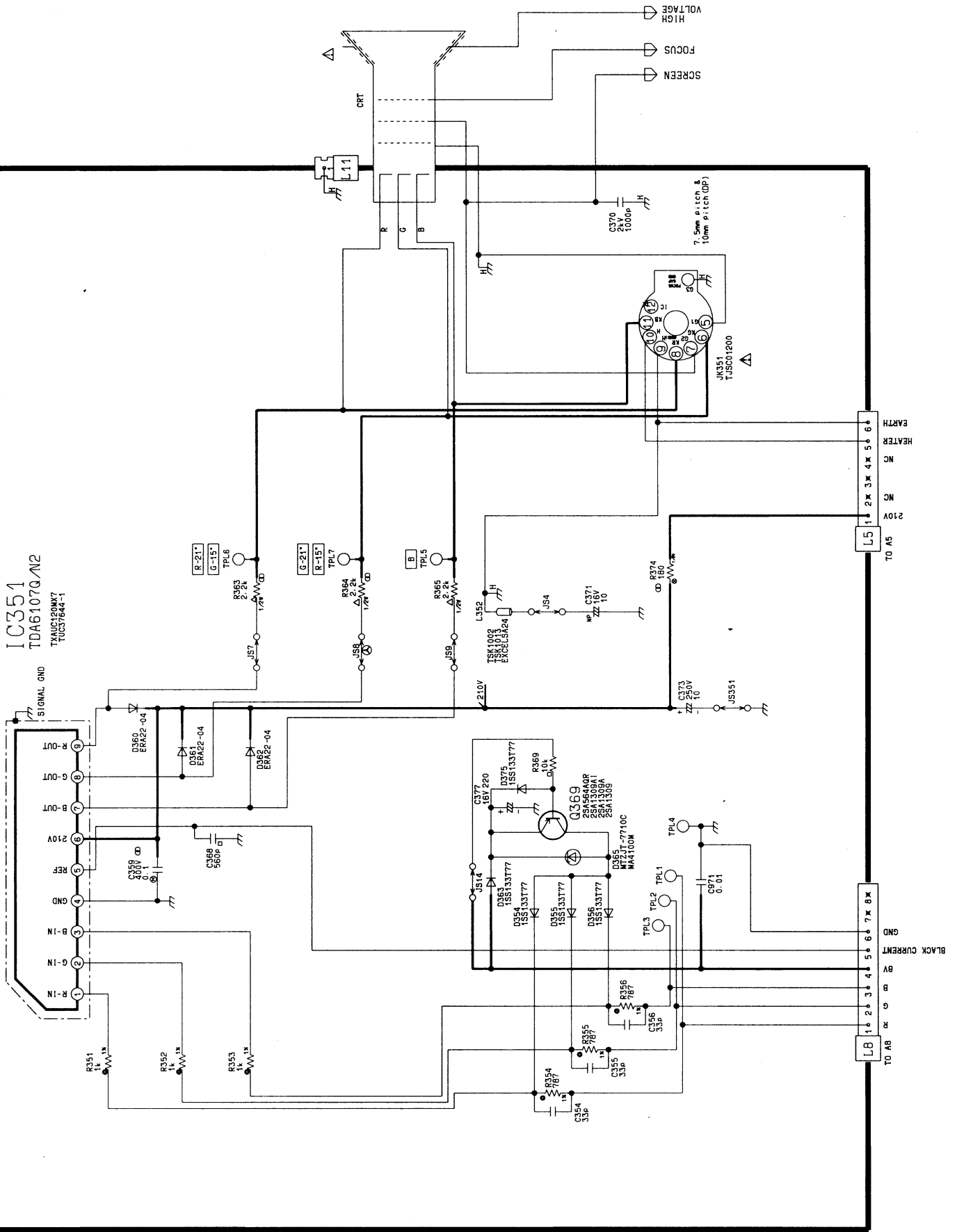
Specifications are subject to change without notice. Mass and dimensions shown are approximate.

© 2000 Matsushita Electric Industrial Co., Ltd.
All right reserved. Unauthorized copying and distribution is a violation of law.

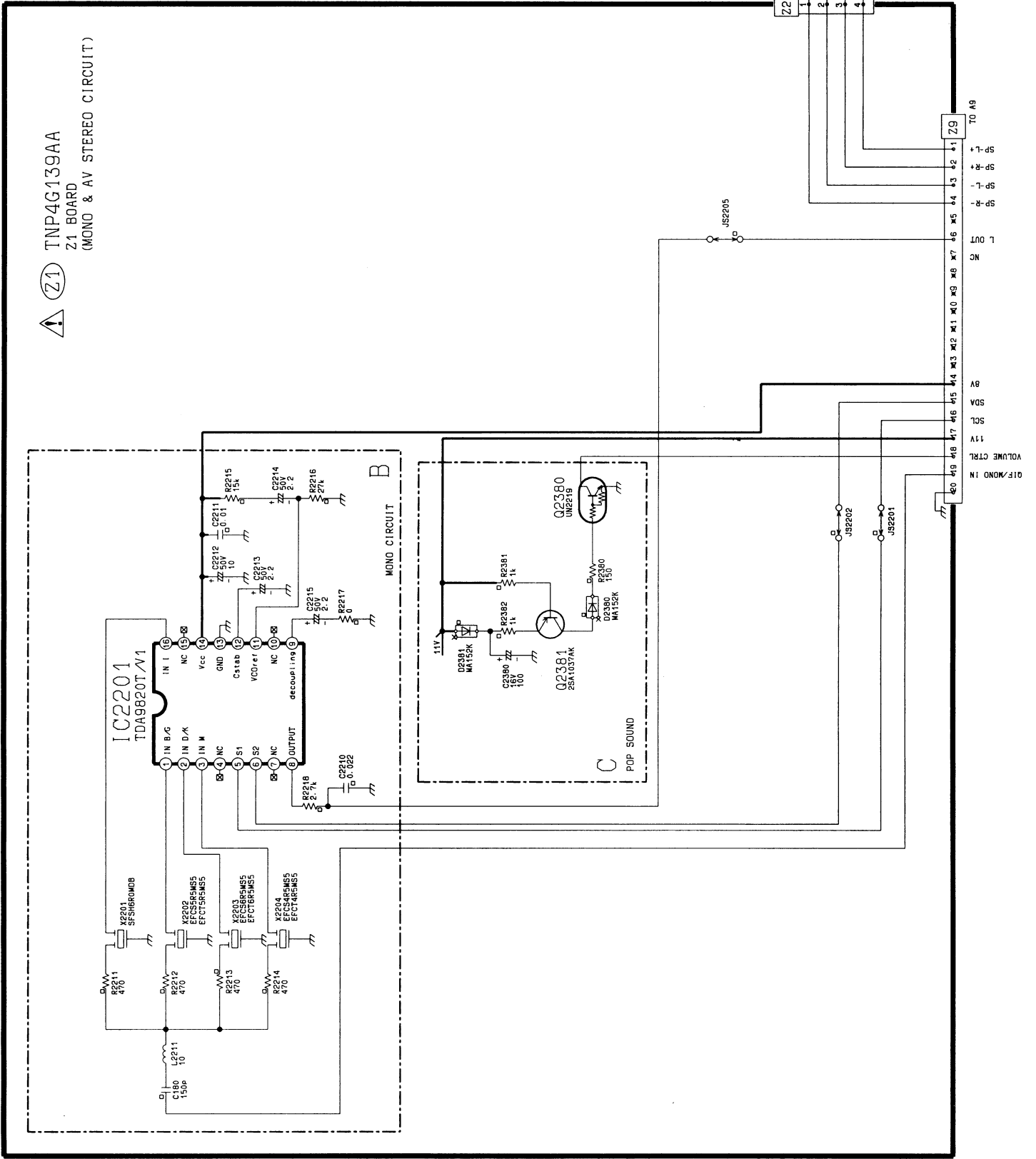
Panasonic

TNP4G137AA
CRT CIRCUIT

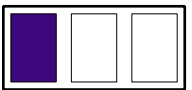
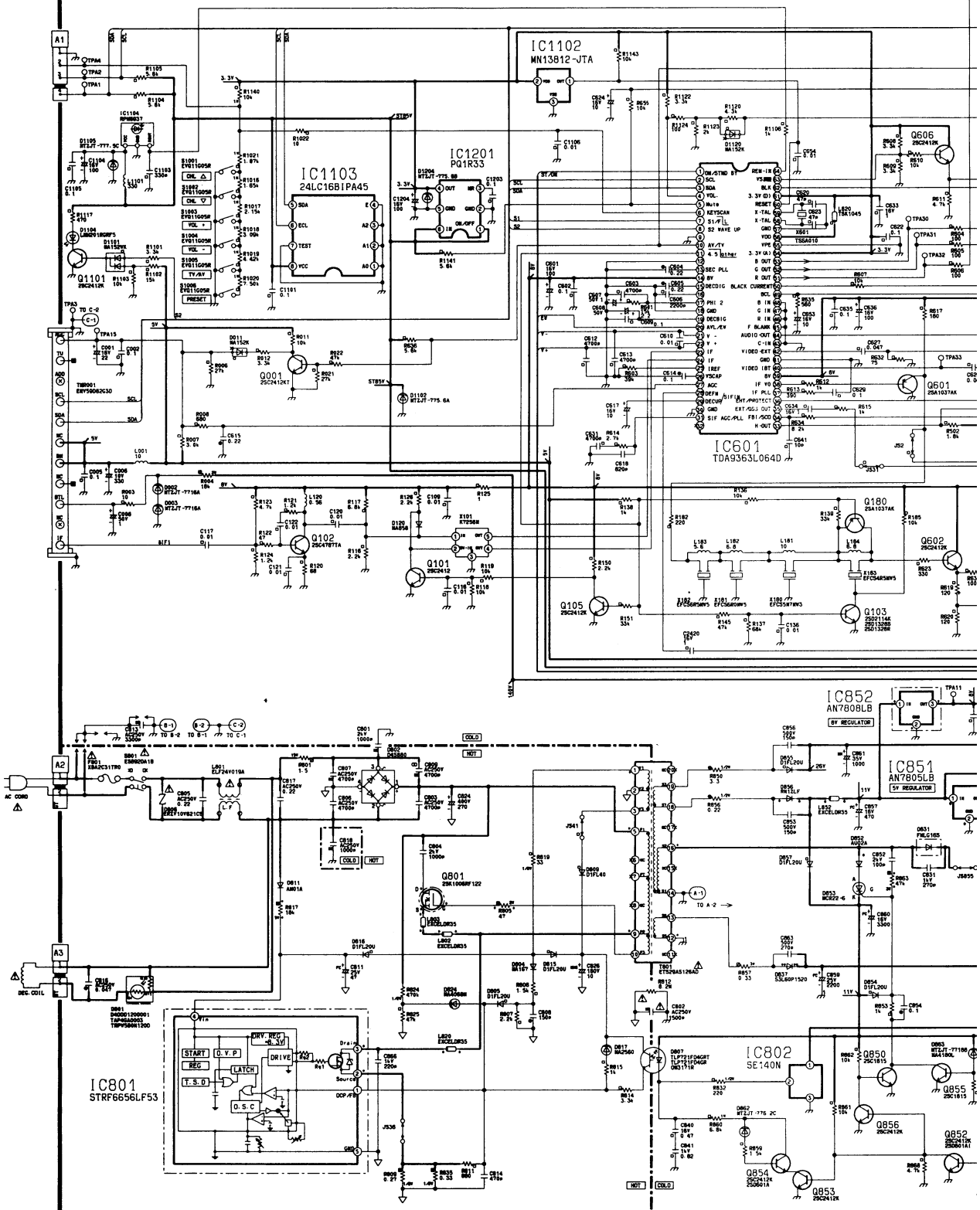
IC351
TDA6107Q/M2
TXAUC120M7
TUC37644-1

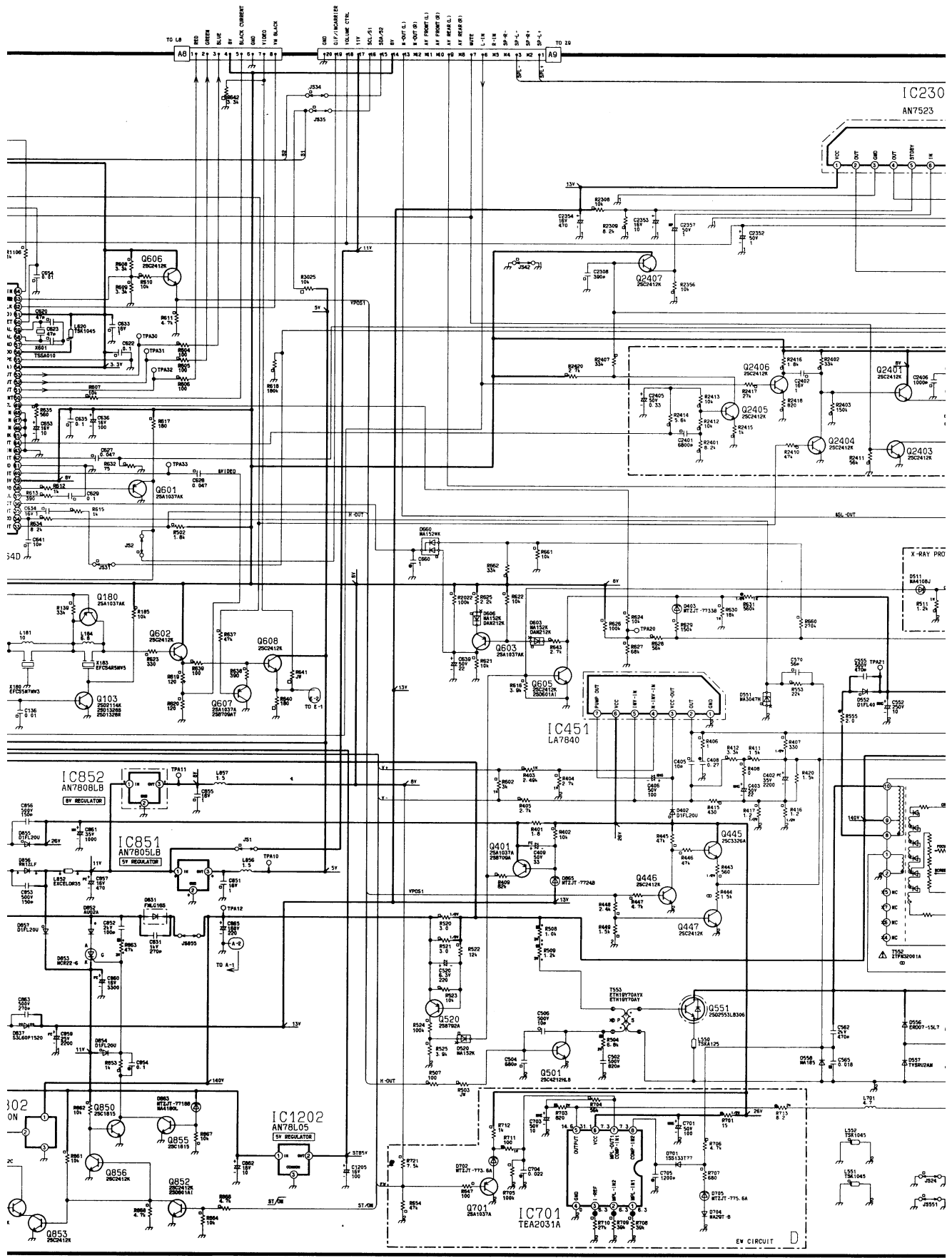


⚠ (Z1) TNP4G139AA
Z1 BOARD
(MONO & AV STEREO CIRCUIT)



⚠ (A) MAIN CIRCUIT
TNP4G136AA (SINGAPORE)
TNP4G136AB (M. EAST)
TNP4G136AT (C. I. S.)





IC230
AN7523

IC451
LA7840

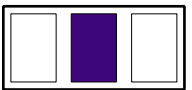
IC852
AN7808LB
BY REGULATOR

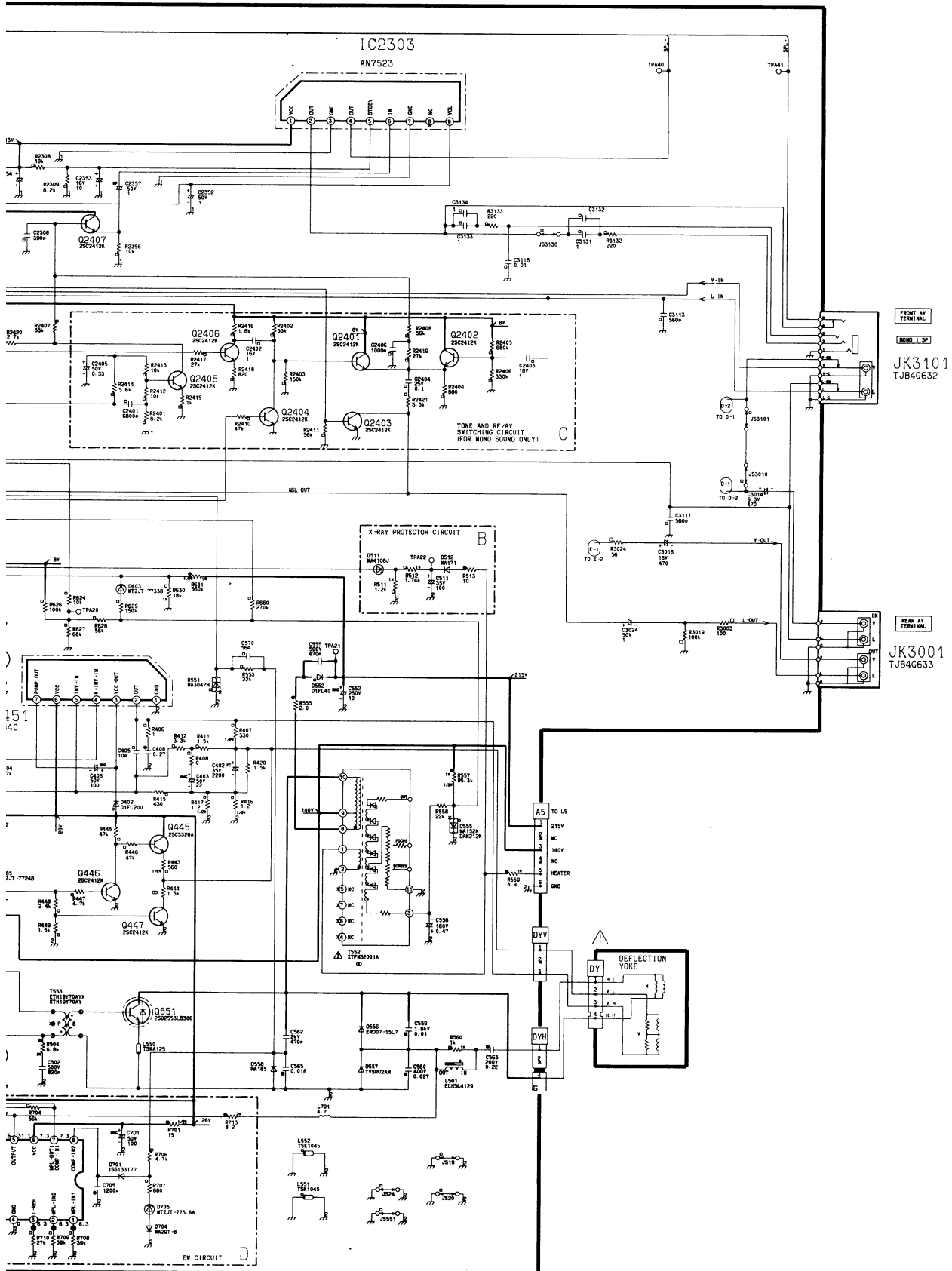
IC851
AN7805LB
5V REGULATOR

IC1202
AN78L05
5V REGULATOR

IC701
TEA2031A

EW CIRCUIT D





FRONT AV TERMINAL
MONO 1.5P
JK3101
TJB4G632

REAR AV TERMINAL
JK3001
TJB4G633

