

HOT

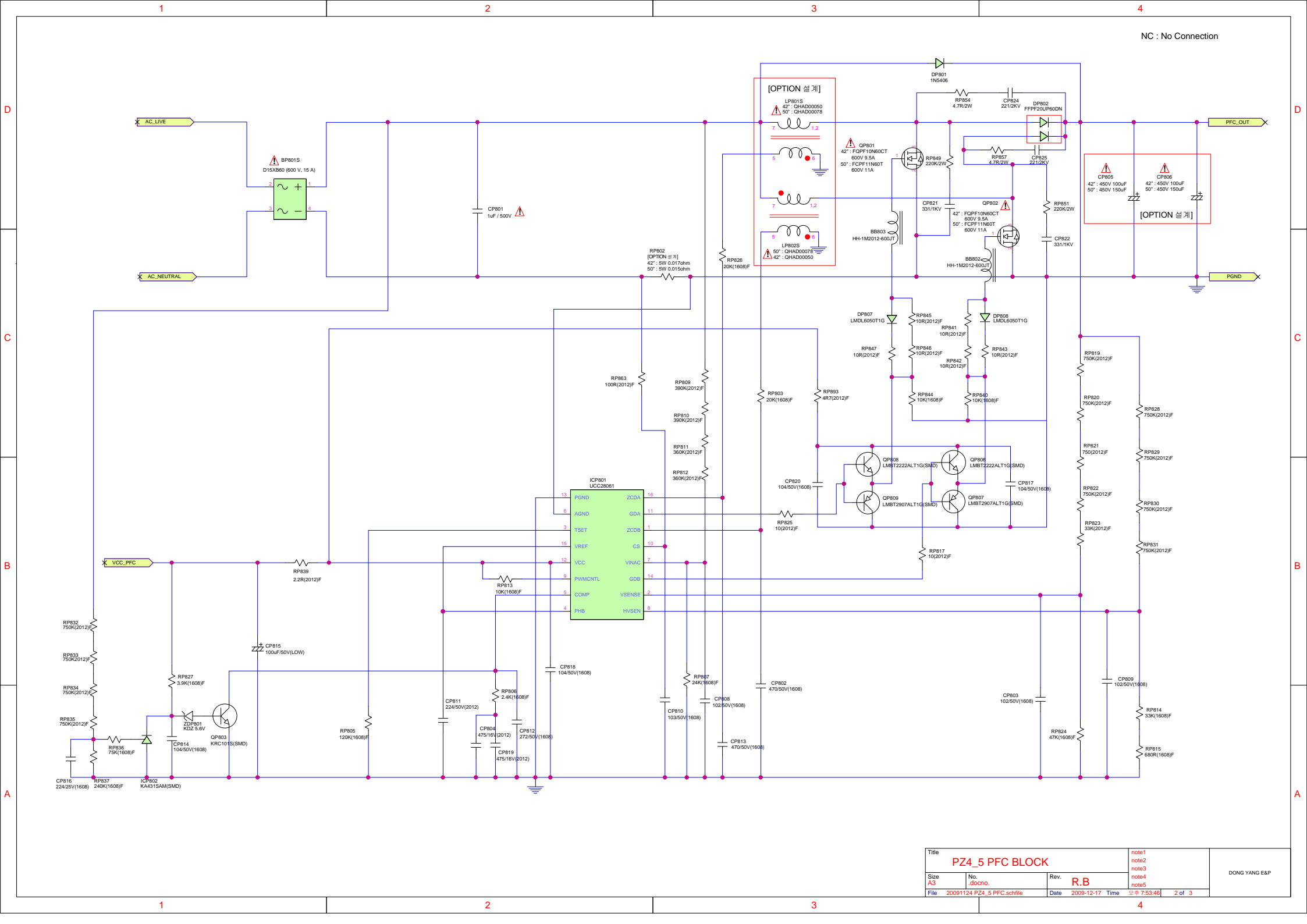
COLD

NC : No Connection

COLD

Title		PZ4_5 STAND+MULTI BLOCK		note1	
Size		A3	No. docto.	note2	
File		20091219 PZ4_5 STAND+MULTI.schfile		note3	
Date		2009-12-31		note4	
Time		2 = 3:00:38		note5	
				1 of 3	

DONG YANG E & P



NC : No Connection

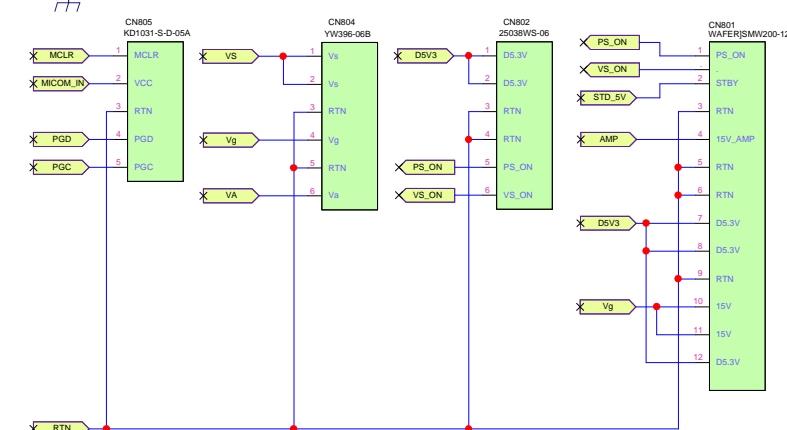
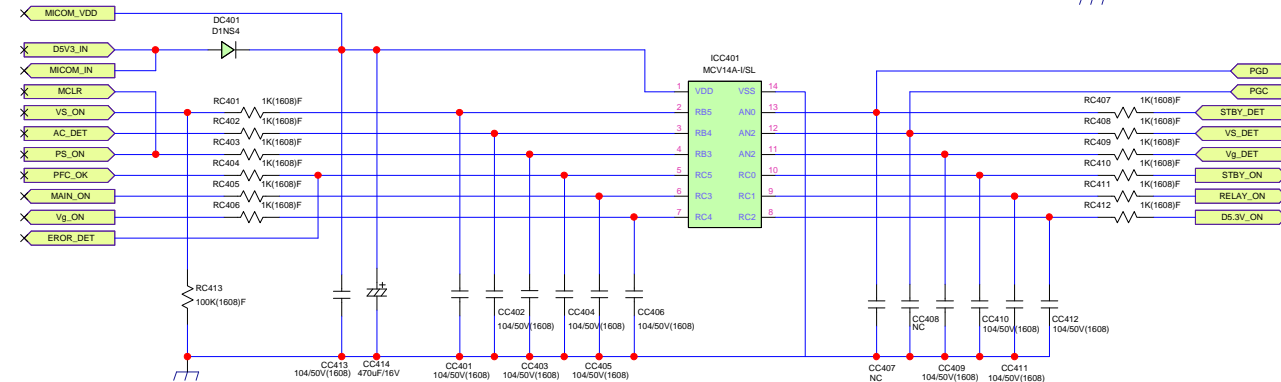
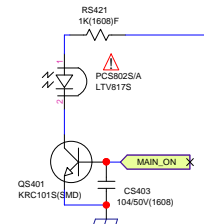
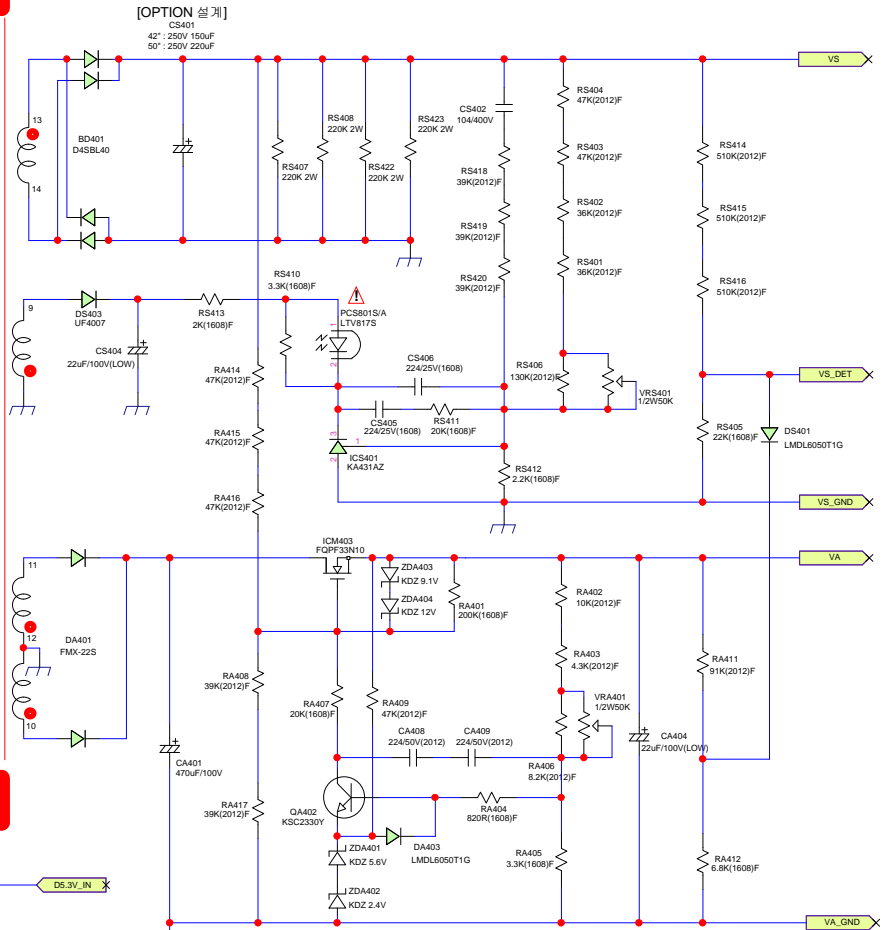
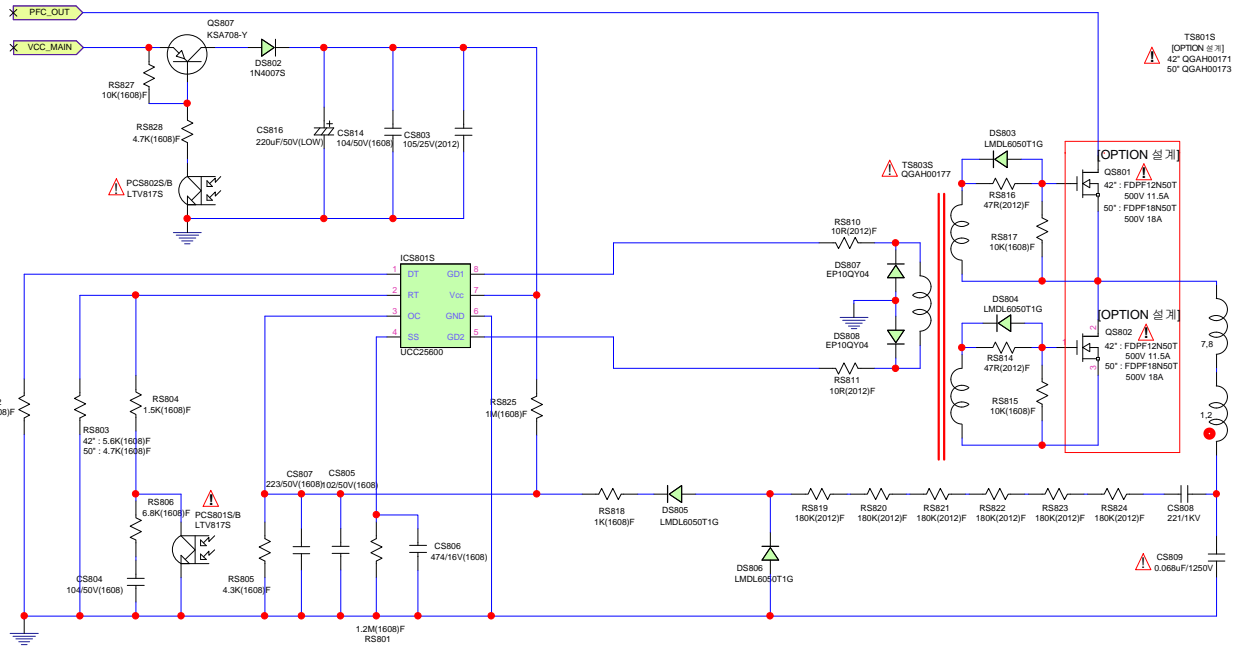
[OPTION 설계]

[OPTION 설계]

Title		PZ4_5 PFC BLOCK		note1	DONG YANG E&P
Size	A3	No.	.docno.	note2	
File	20091124 PZ4_5 PFC.schfile	Rev.	R.B	note3	
Date	2009-12-17	Time	2009-12-17 7:53:46	note4	
				note5	
				2 of 3	

# HOT COLD

NC : No Connection



Title		PZ4_5 Vs+Va BLOCK		Rev.		R.B		Date		Time		Page	
Size	A3	No.	docno.	Rev.		Date	2009-12-23	Time	10:26:19	Page	3 of 3		
File	20091219 PZ4_5 VS+VA.schfile												