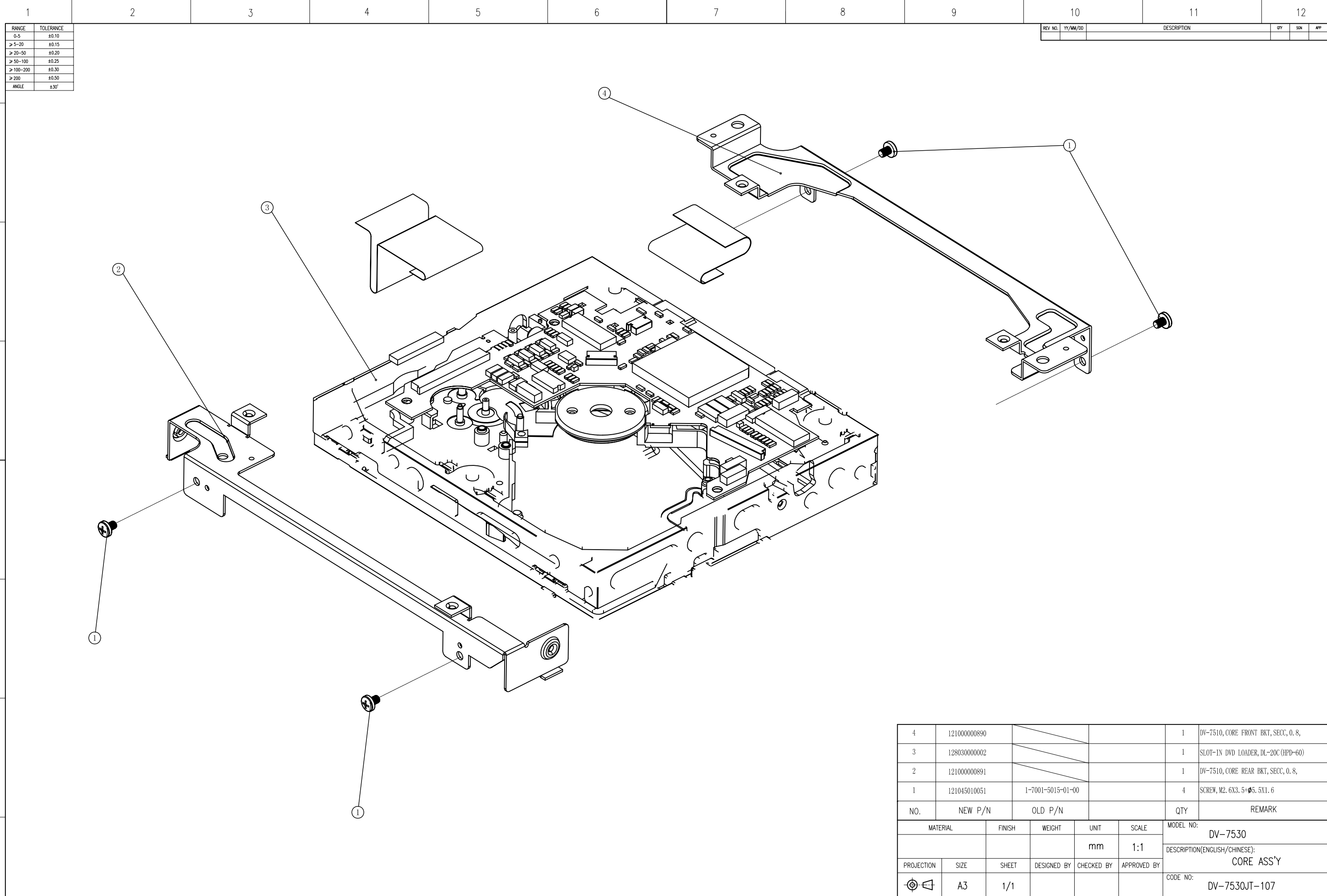


# Cameron CA-735DVD



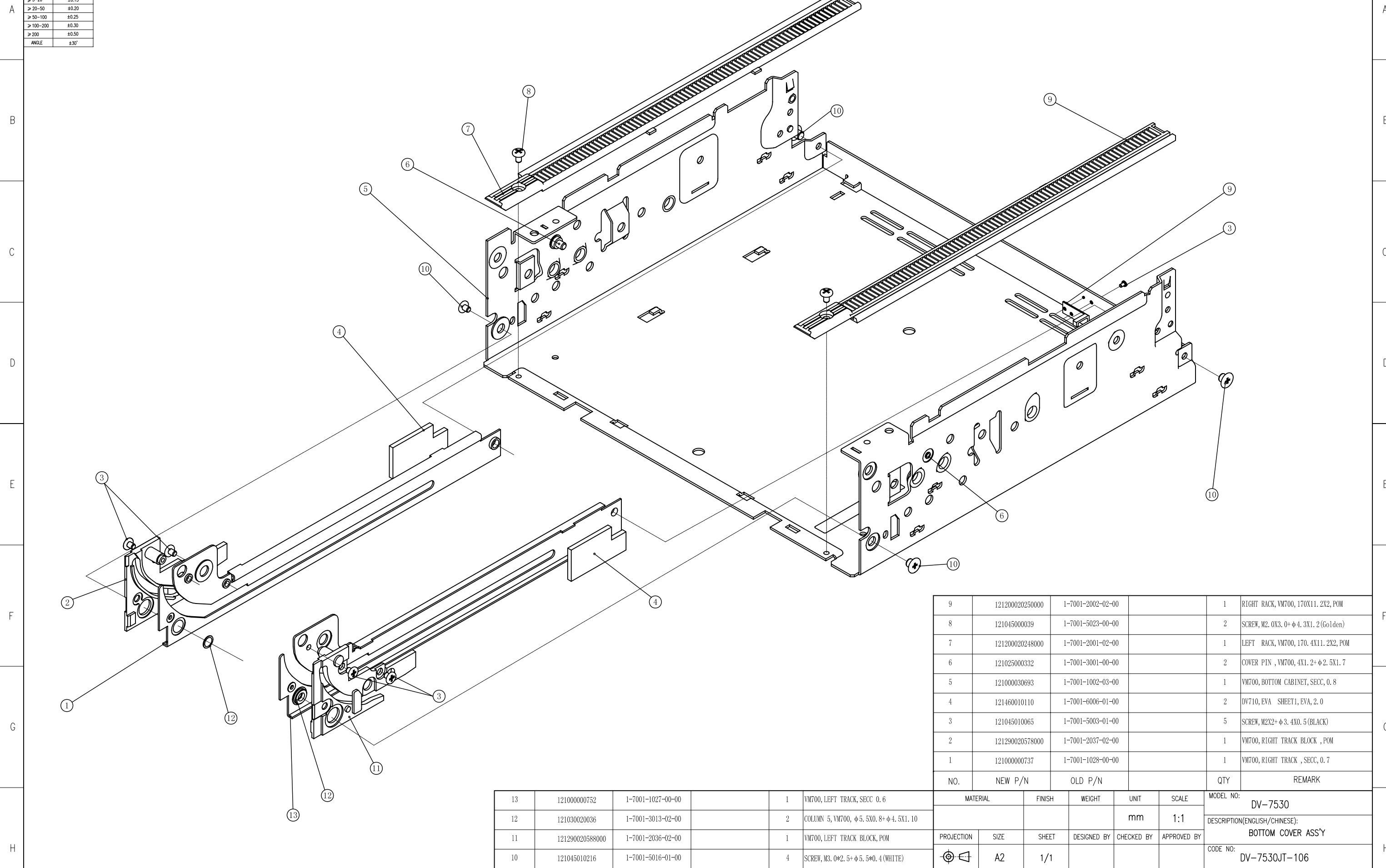
RANGE	TOLERANCE
0-5	±0.10
≥ 5-20	±0.15
≥ 20-50	±0.20
≥ 50-100	±0.25
≥ 100-200	±0.30
≥ 200	±0.50
ANGLE	±30'

REV. NO.	YY/MM/DD	DESCRIPTION	QTY	SN	APP

4	121000000890			1	DV-7510, CORE FRONT BKT, SECC, 0.8,				
3	128030000002			1	SLOT-IN DVD LOADER, DL-20C (HPD-60)				
2	121000000891			1	DV-7510, CORE REAR BKT, SECC, 0.8,				
1	121045010051	1-7001-5015-01-00		4	SCREW, M2. 6X3.5+Ø5.5X1.6				
NO.	NEW P/N	OLD P/N		QTY	REMARK				
MATERIAL				FINISH	WEIGHT	UNIT	SCALE	MODEL NO: DV-7530	
						mm	1:1	DESCRIPTION(ENGLISH/CHINESE): CORE ASS'Y	
PROJECTION	SIZE	SHEET	DESIGNED BY	CHECKED BY	APPROVED BY	CODE NO: DV-7530JT-107			
	A3	1/1							

RANGE	TOLERANCE
0-5	±0.10
≥ 5-20	±0.15
≥ 20-50	±0.20
≥ 50-100	±0.25
≥ 100-200	±0.30
≥ 200	±0.50
ANGLE	±30'

REV. NO.	YY/MM/DD	DESCRIPTION	QTY	SN	APP



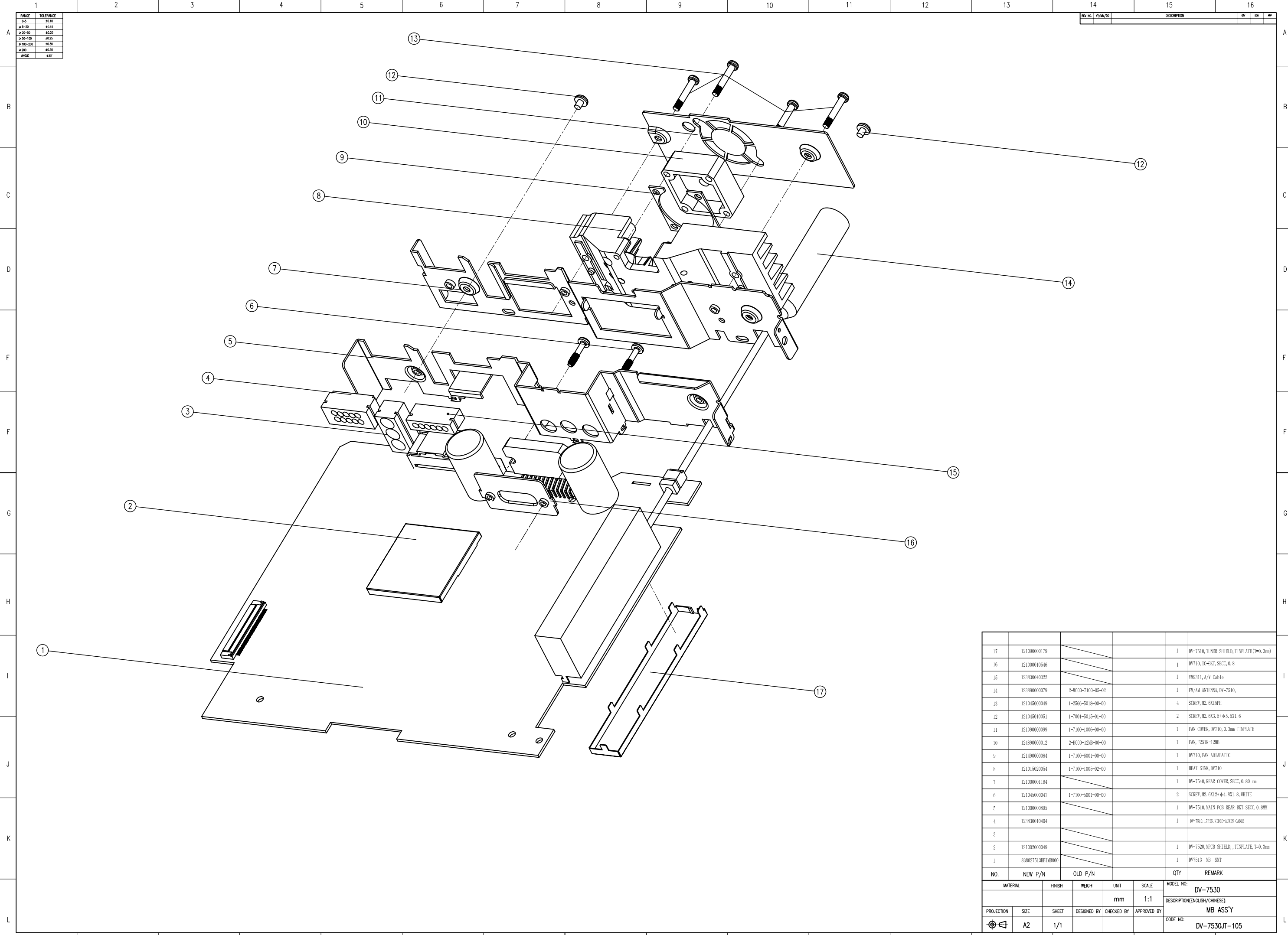
9	121200020250000	1-7001-2002-02-00	1	RIGHT RACK, VM700, 170X11. 2X2, POM
8	121045000039	1-7001-5023-00-00	2	SCREW, M2. 0X3. 0+φ4. 3X1. 2(Golden)
7	121200020248000	1-7001-2001-02-00	1	LEFT RACK, VM700, 170. 4X11. 2X2, POM
6	121025000332	1-7001-3001-00-00	2	COVER PIN , VM700, 4X1. 2+φ2. 5X1. 7
5	121000030693	1-7001-1002-03-00	1	VM700, BOTTOM CABINET, SECC, 0. 8
4	121460010110	1-7001-6006-01-00	2	DV710, EVA SHEET1, EVA, 2. 0
3	121045010065	1-7001-5003-01-00	5	SCREW, M2X2+φ3. 4X0. 5(BLACK)
2	121290020578000	1-7001-2037-02-00	1	VM700, RIGHT TRACK BLOCK , POM
1	121000000737	1-7001-1028-00-00	1	VM700, RIGHT TRACK , SECC, 0. 7
NO.	NEW P/N	OLD P/N	QTY	REMARK

13	121000000752	1-7001-1027-00-00	1	VM700, LEFT TRACK, SECC 0. 6
12	121030020036	1-7001-3013-02-00	2	COLUMN 5, VM700, φ5. 5X0. 8+φ4. 5X1. 10
11	121290020588000	1-7001-2036-02-00	1	VM700, LEFT TRACK BLOCK, POM
10	121045010216	1-7001-5016-01-00	4	SCREW, M3. 0*2. 5+φ5. 5*0. 4(WHITE)

MATERIAL	FINISH	WEIGHT	UNIT	SCALE	MODEL NO:
PROJECTION	SIZE	SHEET	DESIGNED BY	CHECKED BY	APPROVED BY
	A2	1/1			
					DESCRIPTION(ENGLISH/CHINESE):
					BOTTOM COVER ASS'Y
					CODE NO:
					DV-7530JT-106

RANGE	TOLERANCE
0-5	±0.10
>5-20	±0.15
>20-50	±0.20
>50-100	±0.25
>100-200	±0.30
>200	±0.50
ANGLE	±30'

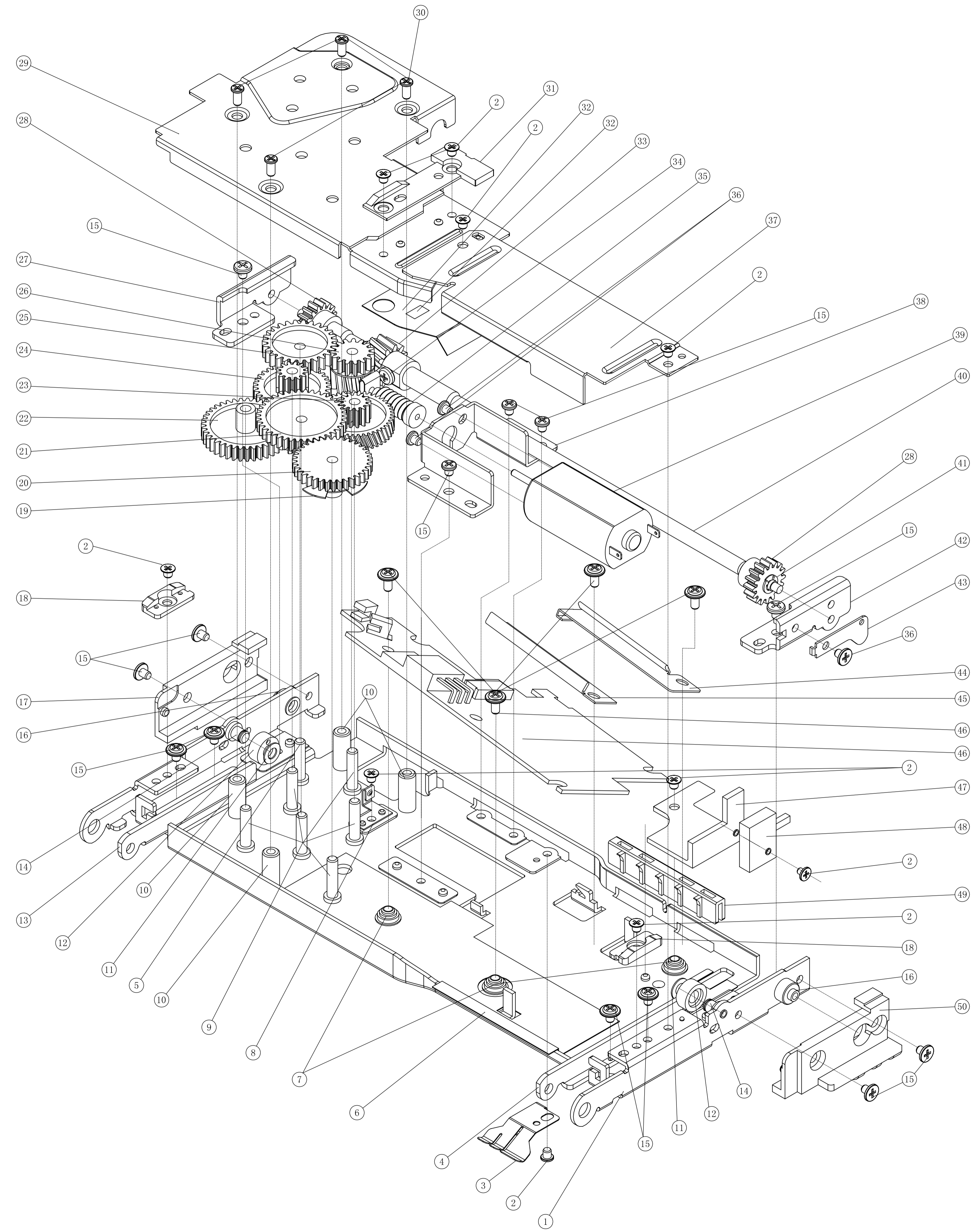
REV. NO.	TY/AM/DO	DESCRIPTION	APP	CHK	APP



NO.	NEW P/N	OLD P/N	QTY	REMARK
17	121090000179		1	DV-7510, TUNER SHIELD, TINPLATE(T=0.3mm)
16	121000010546		1	DV710, IC-BKT, SECC, 0.8
15	123830040322		1	VHS11, A/V Cable
14	123890000079	2-4000-7100-05-02	1	FM/AM ANTENNA, DV-7510,
13	121045000049	1-2566-5018-00-00	4	SCREW, M2, 6X1.6PH
12	121045010051	1-7001-5015-01-00	2	SCREW, M2, 6X3, 5-φ5, 5X1.6
11	121090000099	1-7100-1006-00-00	1	FAN COVER, DV710, 0.3mm TINPLATE
10	124890000012	2-4000-1240-00-00	1	FAN, P251R-12MB
9	121490000084	1-7100-6001-00-00	1	DV710, FAN ADIABATIC
8	121013020054	1-7100-1005-02-00	1	HEAT SINK, DV710
7	121000001164		1	DV-7540, REAR COVER, SECC, 0.80 mm
6	121045000047	1-7100-5001-00-00	2	SCREW, M2, 6X1.2-φ4.8X1.8, WHITE
5	121000000895		1	DV-7510, MAIN PCB REAR BKT, SECC, 0.8MM
4	123830010404		1	DV-7510, 17PIN, VIDEO-REAR CABLE
3				
2	121002000049		1	DV-7520, MPGB SHIELD, TINPLATE, T=0.3mm
1	838027513HBTMB000		1	DV7513 MB SMT
				MODEL NO: DV-7530
				DESCRIPTION(ENGLISH/CHINESE): MB ASS'Y
				CODE NO: DV-7530JT-105

RANGE	TOLERANCE
0-5	±0.10
5-20	±0.15
20-50	±0.20
50-100	±0.25
100-200	±0.30
200	±0.50
ANGLE	±30'

REV. NO.	TV/WM/DO	DESCRIPTION	QTY	SR	APP

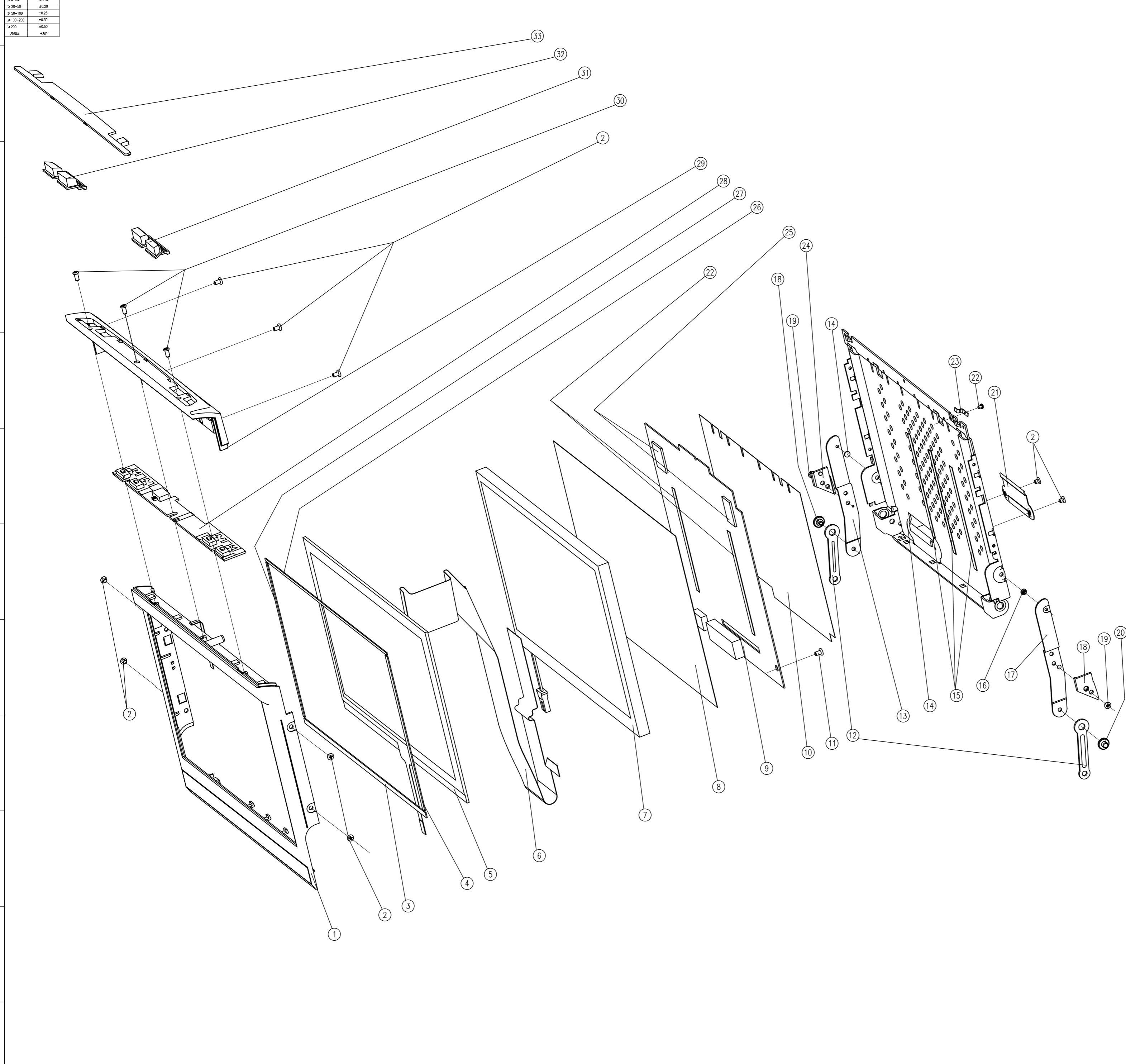


50	121290010580000	1-7001-2034-01-00	1	VT00, RIGHT SLIDE BLOCK, POM
49	121290000563	1-7001-2030-00-00	1	VT00, SHAFT LIMIT BAR, POM
48	123215000008		1	DETECT SW, SPPB120200
47	121000000897		1	DV-7510, SWITCH BKT, SECC, 0.8MM
46	121045010074	1-7001-5012-01-00	4	SCREW, M2X3, 5+φ5X1.2(Golden)
45	121005000110		1	DV-7510, 50PIN FFC FRONT BKT, SUS301, 0.4MM
44	121005000109		1	DV-7510, 50PIN FFC REAR BKT, SUS301, 0.4MM
43	121005000088	1-7001-1009-00-00	1	VT00, SHAFT SPRING, SUS, 0.5
42	121000010743	1-7001-1008-01-00	1	VT00, RIGHT SHAFT BKT, SECC, 1.2
41	121090000084	2-1712-0045-00-00	2	WASHER 1, DV-710N
40	121025010339	1-7001-3002-01-00	1	DRIVER SHAFT, VT00, φ4.5X156.3
39	124825000003	2-2000-1170-00-00	1	MOTOR, FF-050SK-11170
38	12100000704	1-7001-1006-00-00	1	VT00, MOTOR BKT, SECC, 0.8
37	121000010720	1-7001-1024-01-00	1	VT00, WIRE SHEET, SPCC, 0.6
36	121045010068	1-7001-5006-01-00	3	SCREW, M2X2+φ3.4X1(Golden)
35	121200000265	1-7001-2010-00-00	1	WORM, VT00, φ5X0.4HX13.5, POM
34	121045010088	1-7001-5014-01-00	1	SCREW, M2X1+φ4.3X1.2
33	121200010241000	1-7001-2012-01-00	1	SLOPE GEAR-R, VT00, 11TX0.6MX5.9, PA
32	121445000069	1-7001-6016-00-00	1	DOUBLE TAPE 4, DV710, S10HD
32	121460000125	1-7001-6001-00-00	1	DV710, PVC SHEET L, PVC, 0.2
31	121290010572000	1-7001-2031-01-00	1	VT00, SMALL BLOCK (C), POM
30	121045010079	1-7001-5011-01-00	4	SCREW, M2X1+φ3.4X0.4 (BLACK)
29	121000010701	1-7001-1023-01-00	1	VT00, GEAR SHEET, SPCC, 0.6
28	121200000245000	1-7001-2011-00-00	2	WALK GEAR, VT00, 16TX0.6MX3, POM
27	121000010758	1-7001-1007-01-00	1	VT00, LEFT SHAFT BKT, SECC, 1.2
26	121200010243000	1-7001-2008-01-00	1	SLOPE GEAR-A, VT00, 15Tφ0.6M+11Tφ0.6M, PA
25	121200020253000	1-7001-2007-02-00	1	GEAR 5, VT00, 27TX0.6M, PA
24	121200010257000	1-7001-2006-01-00	1	GEAR 4, VT00, 34TX0.5M+42TX0.6M, PA
23	121200000252000	1-7001-2003-00-00	1	GEAR 1, VT00, 24TX0.4M+13TX0.5M, POM
22	121200000262000	1-7001-2005-00-00	1	GEAR 3, VT00, 39TX0.5M, POM
21	121200010264000	1-7001-2004-01-00	1	GEAR 2, VT00, 40T X0.5M +42T X0.6M, POM
20	121200030259000	1-7001-2009-03-00	1	SPEED GEAR, VT00, 35TX0.5M, POM
19	121005010087	1-7001-1005-01-00	1	VT00, SED SHEET, SUS, 0.3
18	121290000570000	1-7001-2032-00-00	2	VT00, SMALL BLOCK (S), POM
17	121290010592000	1-7001-2033-01-00	1	VT00, LEFT SLIDE BLOCK, POM
16	121025010347	1-7001-3006-01-00	2	ROCK SHAFT, VT00, φ5.5X2.8+φ4.5X1.3
15	121045010023	1-7001-5008-01-00	11	SCREW, DV620, M2X2.3+φ4.3X1.2(Golden)
14	121025010338	1-7001-3005-01-00	2	ROLL SHAFT, VT00, φ4.4X1+φ3X3.3
13	121000000756	1-7001-1021-00-00	1	VT00, LEFT PIN BKT, SECC, 1.2
12	121200010266000	1-7001-2035-01-00	2	VT00, ROLL, φ7.4φ3, POM
11	1210900000086	2-1802-8052-30-00	2	WASHER 2, DV-710N
10	121025010345	1-7001-3011-01-00	4	COLUMN 4, VT00, φ4X9.9+φ2X1.3φ2
9	1210250202043	1-7001-3007-02-00	6	GEAR SHAFT, VT00, φ4X1+φ2.5X10.4
8	121005010091	1-7001-1026-01-00	1	VT00, WORM SPRING, SUS, 0.2
7	121030010038	1-7001-3008-01-00	4	COLUMN 1, VT00, φ5X1+φ4X1.3φ2
6	121460020014	1-7001-6002-02-00	1	PVC SHEET 2, 91X22
5	1210250000349	1-7001-3014-00-00	1	GEAR SHAFT2, VT00, φ4X1+φ2.5X10.4
4	121000000741	1-7001-1022-00-00	1	VT00, RIGHT PIN BKT, SECC, 1.2
3	121005010078	1-7001-1025-01-00	1	VT00, BKT SPRING, SUS, 0.2
2	121045010065	1-7001-5003-01-00	10	SCREW, M2X2+φ3.4X0.5 (BLACK)
1	121006000006		1	DV-7510, SLIDE BKT, SPCC, T=1.0
NO.	NEW P/N	OLD P/N	QTY	REMARK

MATERIAL	FINISH	WEIGHT	UNIT	SCALE	MODEL NO.
			mm	1:1	DV-7530
PROJECTION	SIZE	SHEET	DESIGNED BY	CHECKED BY	APPROVED BY
⊕	A1	1/1			
					DESCRIPTION(ENGLISH/CHINESE): SLIDE BKT ASS'Y
					CODE NO.: DV-7530JT-104

RANGE	TOLERANCE
0-5	±0.10
>5-20	±0.15
>20-50	±0.20
>50-100	±0.25
>100-200	±0.30
>200	±0.50
ANGLE	±30'

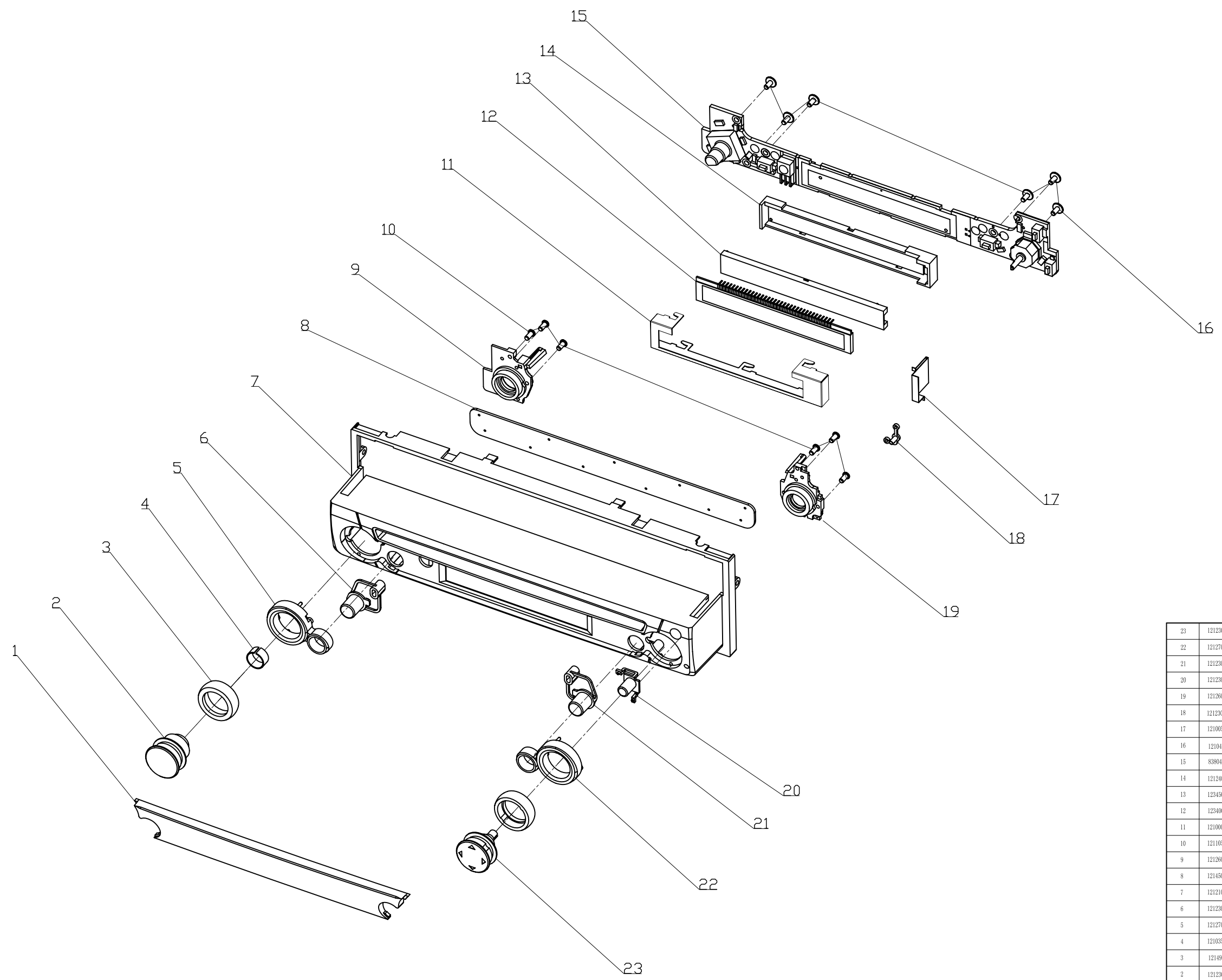
REV. NO.	Y/M/D	DESCRIPTION	CH	ISA	APP



33	121220000299028			1	DV-7530, TFT LENS, PMMA, BLACK
32	121230201193014			1	DV-7530, BAND BUTTON, PC, METAL, TITANIUM
31	121230201192014			1	DV-7530, OPEN BUTTON, PC, METAL, TITANIUM
30	1211050000001			3	DV-7510, SCREW, SP, BLACK NI, 1.4*5.0MM
29	121210200654014			1	DV-7530, SCREEN BOT PANEL, PC-ABS, METAL, TITANIUM
28	8380207523SCK8003			1	DV7523 SC KB SMT
27	121410000062	1-7100-6603-00-00		1	DV-710JSD, LEFT CUSHION, PO, 0.30mm
26	121410000059	1-7100-6601-00-00		1	DV-710JSD, TOP CUSHION, 0.30mm
25	121090010122	1-7001-1038-01-00		2	GROUND SPRING, VM700, 6.0X3.0X0.1(thi:cross)
24	121240030259	1-7001-2023-03-00		1	VM700, RIGHT LINK BLOCK, POM(090S)
23	141006000005			1	VM9311TS, GROUND SPRING
22	121040000305			1	VM9311TS, SCREW M1.7X1.5
21	121005000083	1-7001-1019-00-00		1	VM700, SCREEN WE CLIP, SUS, 0.3
20	121025010351	1-7001-3004-01-00		2	ROCK PIN, VM700, φ6X1.3*φ2.9X2.3
19	121045010059	1-7001-5004-01-00		2	SCREW, M2X2+φ3.4X0.2(BLACK)
18	121240030261	1-7001-2022-03-00		1	VM700, LEFT LINK BLOCK, POM(090S)
17	121000000754	1-7001-1010-00-00		1	VM700, LEFT LINK, SECC, 0.8
16	121025020334	1-7001-3003-02-00		2	LINK PIN, VM700, φ3.0X0.4*φ2.0X0.8*φ1.5X0.8
15	121445010067	1-7001-6014-01-00		5	DOUBLE TAPE, DV710, S10RD
14	141090000127	1-7100-1801-00-00		1	VM9311, SCREEN BOT BKT
13	121000000739	1-7001-1011-00-00		1	VM700, RIGHT LINK, SECC, 0.8
12	121000000734	1-7001-1016-00-00		2	VM700, ROCK, SECC, 1.0
11	121045000036	1-1005-5003-00-00		2	SCREW, M2, 4
10	121460000233	1-7001-6004-03-00		1	DV-7510, PVC SHEET, PVC, 0.1MM
9	8380407523TF005			1	DV7520 TFT DIP
8	121415000054			1	DV-7520, TFT SHEET, PVC
7	123420000003	2-1504-FW01-00-00		1	TFT, A070FW03-Y4
6	123020000037			1	PC, DV-7510, MONOLAYER, MAIN PCB TO TFT 50PIN, 0.5MM
5	124890000027	2-2005-0780-06-00		1	VM-9311TS, ITO-0812, 1.4mm
4	121410000061	1-7100-6604-00-00		1	DV-710JSD, RIGHT CUSHION, PO, 0.30mm
3	121410000060	1-7100-6602-00-00		1	DV-710JSD, BOTTOM CUSHION, PO, 0.30mm
2	121045040062	1-7001-5005-01-02		9	SCREW, M2X2+φ3.4X0.3(BLACK)
1	121210200561084			1	DV-7530, FR TFT PANEL, PC-ABS, MET+TI
NO.	NEW P/N	OLD P/N		QTY	REMARK
MATERIAL FINISH WEIGHT UNIT SCALE MODEL NO: DV-7530					
mm 1:1 DESCRIPTION(ENGLISH/CHINESE):					
PROJECTION SIZE SHEET DESIGNED BY CHECKED BY APPROVED BY SCREEN ASS'Y/显示屏组件爆炸图					
CODE NO: DV-7530JT-103					

RANGE	TOLERANCE
0-5	±0.10
>5-20	±0.15
>20-50	±0.20
>50-100	±0.25
>100-200	±0.30
>200	±0.50
ANGLE	±30'

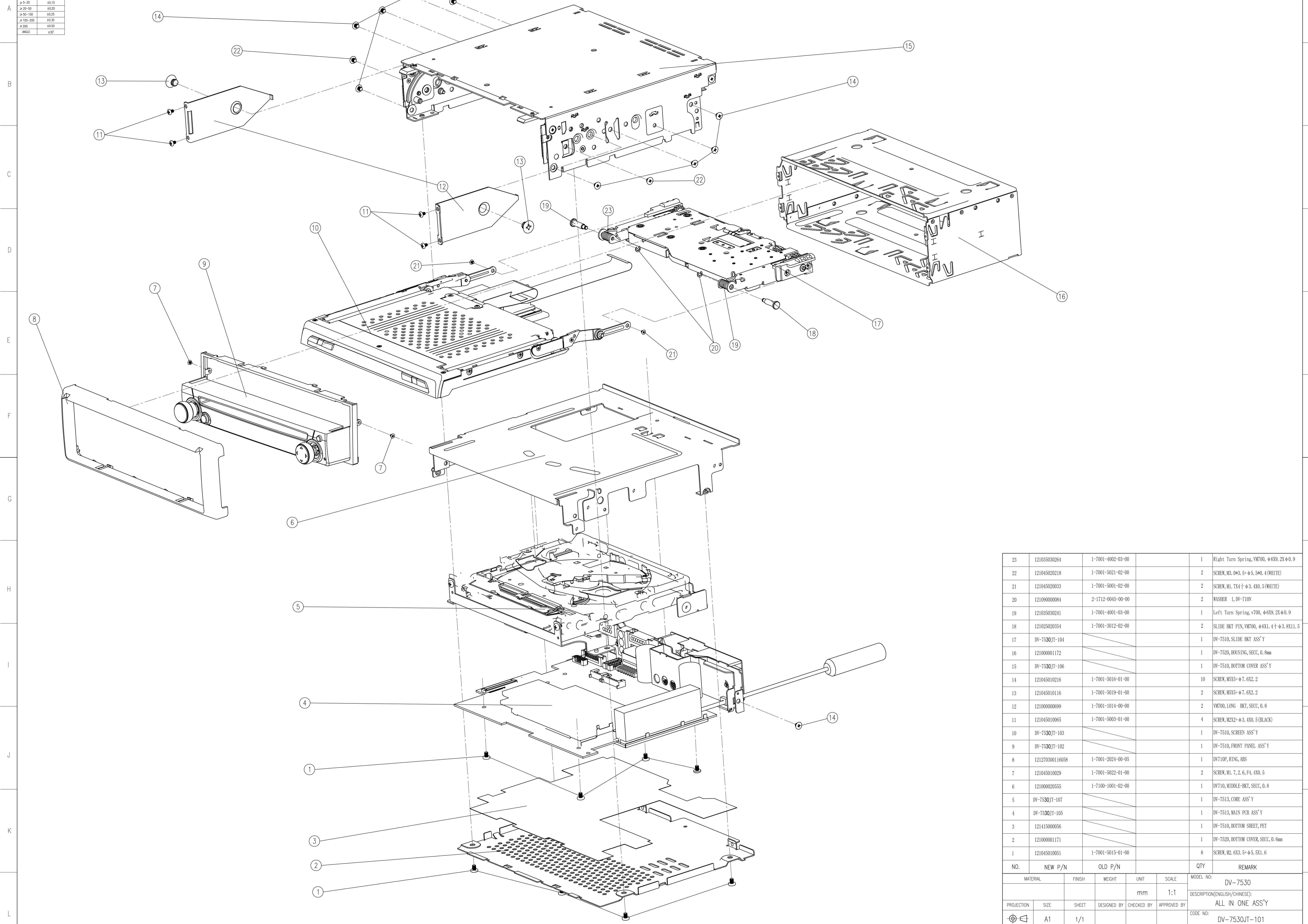
REV. NO.	TY/AM/DO	DESCRIPTION	APP	CHK	APP



23	121230500766014			1	DV-7530, FIVE DIRECTION BUTTON, ABS PLATING, TITANIUM
22	121270510065027			1	DV-7530, RIGHT DECORATE RING, ABS, PLT, SLIVING
21	121230201189014			1	DV-7530, MUTE BUTTON, PC, METAL, TI
20	121230201194014			1	DV-7530, REJECT BUTTON, PC, METAL, TI
19	121260300108011			1	DV-7530, RIGHT LIGHT RING, PC, GENERAL, WHITE
18	121230201195014			1	DV-7530, RESET BUTTON, PC, METAL, TITANIUM
17	1210050000111			6	DV-7510, CLAPBOARD, SUS301, T=0.10mm, BLACK
16	1210450000007	1-2530-5013-00-00		1	SCREW, R, R2, 6
15	838040V7323X8003			1	DV7523 KB DIP
14	121240000292000			1	DV-7510, LIGHT BKT, ABS(7770)
13	123450000017			1	DV-7510, BACK LIGHT
12	123400000091			1	DV-7510, LCD DISPLAY
11	121000000907			1	DV-7510, LCD BRT, T=0.3mm, TINPLATE
10	1211050000001			6	DV-7510, SCREW SP, BLACK NI, 1.4*5, 0MM
9	121260300107011			1	DV-7530, LEFT LIGHT RING, PC, GENERAL, WHITE
8	1214500020075			1	DV-7510, DUSTPROOF CLOTH, DUSTPROOF, CLOTH+PC
7	121210200655024			1	DV-7530, FRONT PANEL, PC+ABS, MET+TI
6	121230201189014			1	DV-7530, SRC BUTTON, PC, METAL, TITANIUM
5	121270510064027			1	DV-7530, LEFT DECORATE RING, ABS, PLATING, SLIVING
4	1210350000351			1	DV-750, VOLUME-SPRING, T=0.400
3	121490000209			2	DV-7512, RUBBER-RING, RUBBER
2	121230500771014			1	DV-7520, VOLUME KNOB, ABS, PLATING, TITANIUM
1	121230000300028			1	DV-7530, LENS, PMMA, BLACK
序号	新编号	旧编号	名称	数量	备注
MATERIAL		FINISH	WEIGHT	UNIT	SCALE
				mm	MODEL NO: DV-7530
PROJECTION	SIZE	SHEET	DESIGNED BY	CHECKED BY	APPROVED BY
	A2	1/1			
					DESCRIPTION(ENGLISH/CHINESE): FRONT PANEL ASS'Y/前面板组件
					CODE NO: DV-7530JT-102

RANGE	TOLERANCE
0-3	±0.10
>3-30	±0.15
>30-50	±0.20
>50-100	±0.25
>100-200	±0.30
>200	±0.50
ANGLE	±30'

REV. NO.	TV/M/DO	DESCRIPTION	QTY	ISS	APP



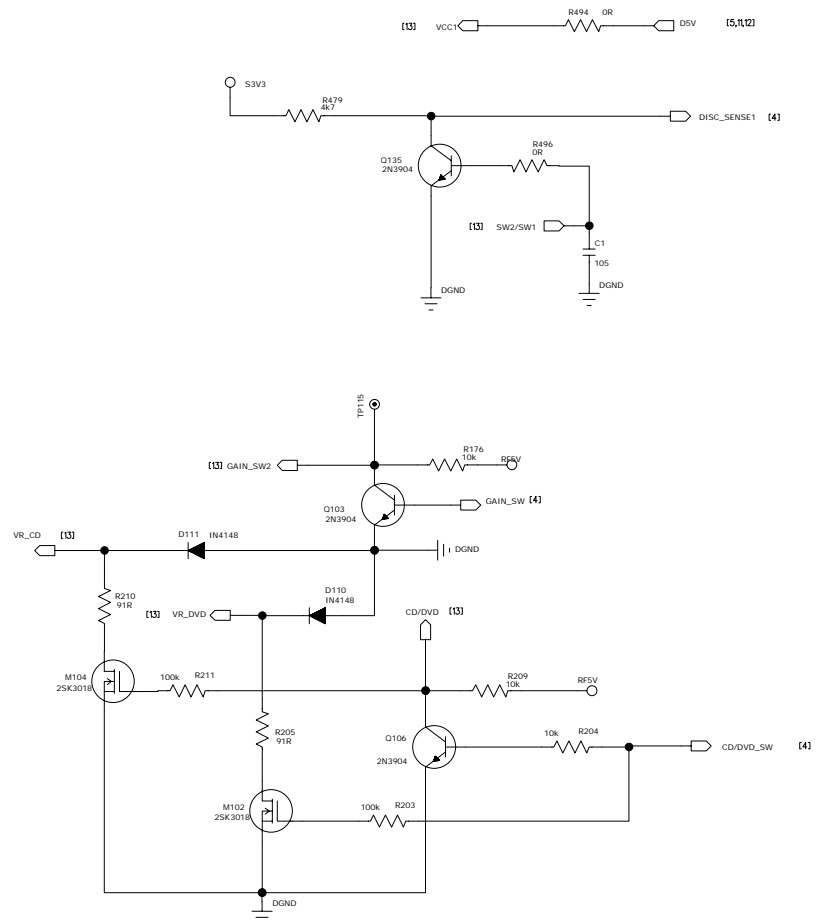
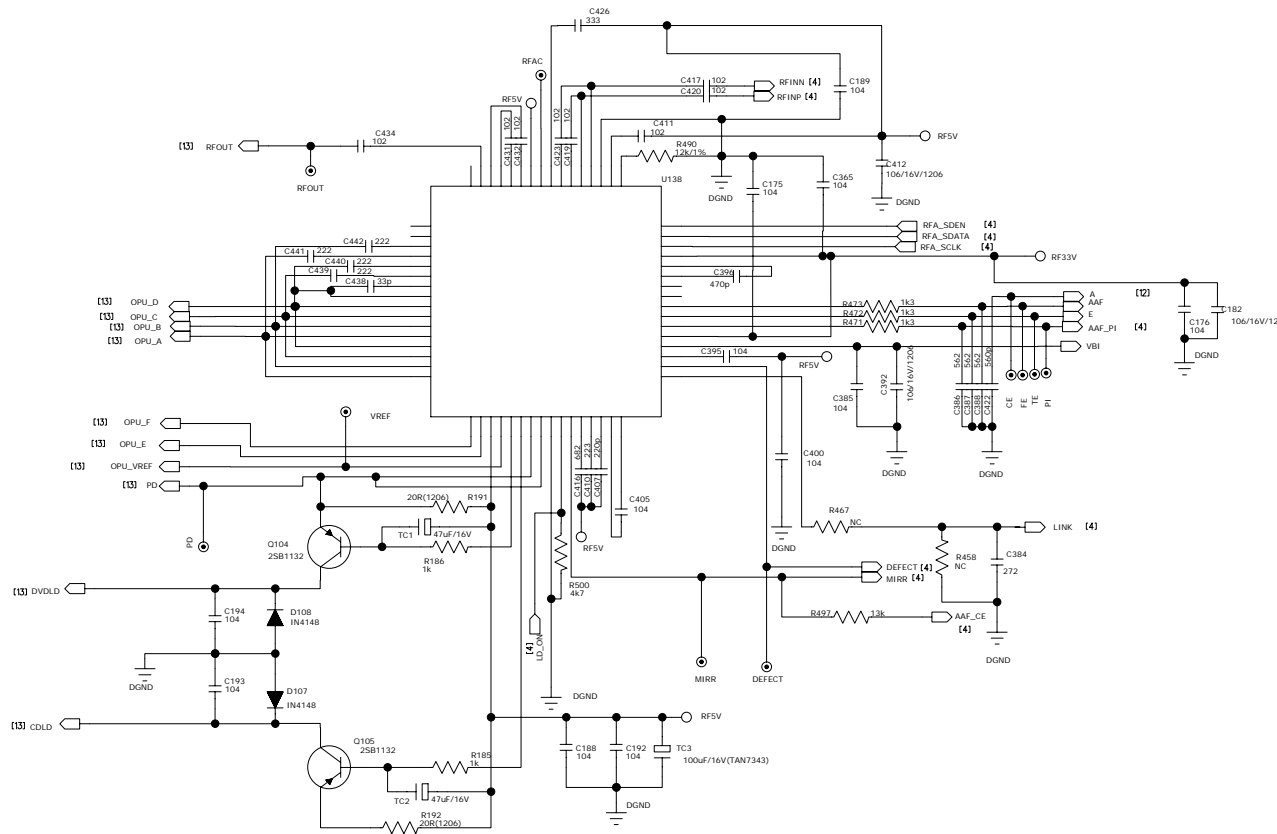
23	12103503264	1-7001-4002-03-00	1	Right Turn Spring, VM700, φ 6X9, 2Xφ 0.9				
22	121045020218	1-7001-5021-02-00	2	SCREW, M3, 0x3.5+φ 5.5x0.4 (WHITE)				
21	121090000033	1-7001-5001-02-00	2	SCREW, M1.7X4+φ 3.4X0.5 (WHITE)				
20	121090000084	2-1712-0045-00-00	2	WASHER 1, DW-710N				
19	121035030241	1-7001-4001-03-00	1	Left Turn Spring, v700, φ 6X9, 2Xφ 0.9				
18	121025020354	1-7001-3012-02-00	2	SLIDE BKT PIN, VM700, φ 6X1.4+φ 3.8X11.5				
17	DW-7530JT-104		1	DW-7510, SLIDE BKT ASS'Y				
16	121000001172		1	DW-7520, HOUSING, SECC, 0.8mm				
15	DW-7530JT-106		1	DW-7510, BOTTOM COVER ASS'Y				
14	121045010216	1-7001-5016-01-00	10	SCREW, MSX5+φ 7.6X2.2				
13	121045010116	1-7001-5019-01-00	2	SCREW, MSX5+φ 7.6X2.2				
12	121000000699	1-7001-1014-00-00	2	VM700, LONG BKT, SECC, 0.8				
11	121045010065	1-7001-5003-01-00	4	SCREW, M2X2+φ 3.4X0.5 (BLACK)				
10	DW-7530JT-103		1	DW-7510, SCREEN ASS'Y				
9	DW-7530JT-102		1	DW-7510, FRONT PANEL ASS'Y				
8	121270300116058	1-7001-2024-00-05	1	DW710P, RING, ABS				
7	121045010029	1-7001-5022-01-00	2	SCREW, M1.7, 2.6, P4, 4X0.5				
6	121000020555	1-7100-1001-02-00	1	DW710, MIDDLE-BKT, SECC, 0.8				
5	DW-7530JT-107		1	DW-7513, CORE ASS'Y				
4	DW-7530JT-105		1	DW-7513, MAIN PCB ASS'Y				
3	121415000056		1	DW-7510, BOTTOM SHEET, PET				
2	121000001171		1	DW-7520, BOTTOM COVER, SECC, 0.6mm				
1	121045010051	1-7001-5015-01-00	8	SCREW, M2, 6X3.5+φ 5.5X1.6				
NO.	NEW P/N	OLD P/N	QTY	REMARK				
MATERIAL				FINISH	WEIGHT	UNIT	SCALE	MODEL NO.
						mm	1:1	DW-7530
PROJECTION				SIZE	SHEET	DESIGNED BY	CHECKED BY	APPROVED BY
A1				1/1				DESCRIPTION(ENGLISH/CHINESE): ALL IN ONE ASS'Y
								CODE NO. DW-7530JT-101


## **Spare Parts List (CA-735DVD)**

Item	Description	QTY	Part №
			(Код ЗЧД=Номер ЗЧД)
1	пульт д/у		845VM9312RM180
2	кабель		143835000186
3	антенна		124845000020
4	тюнер внешний		144815000055

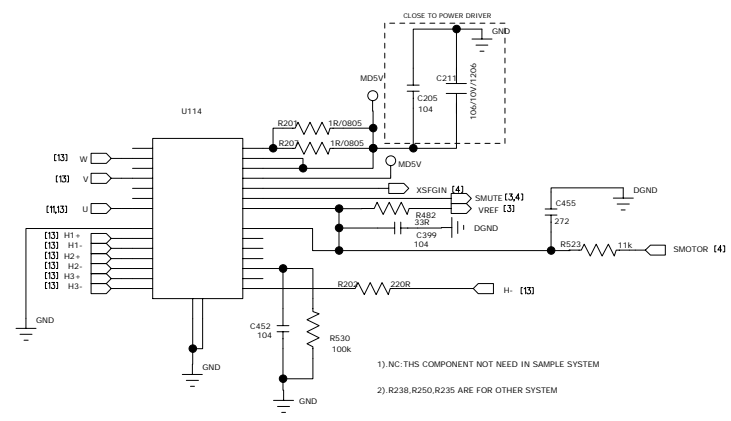
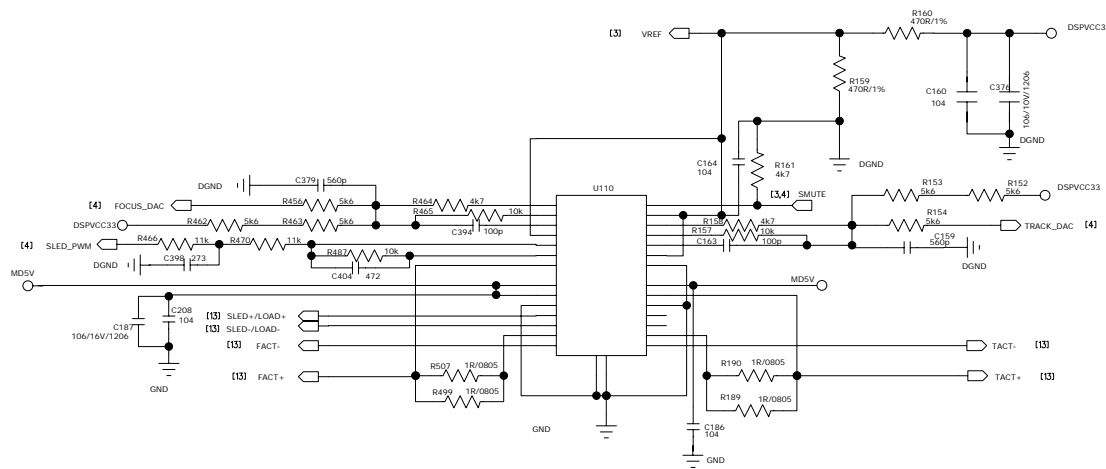


CHANGE	MARKS	REF NO	DESCRIPTION	SGN	APP
	1				
	2				
	3				
	4				
	5				




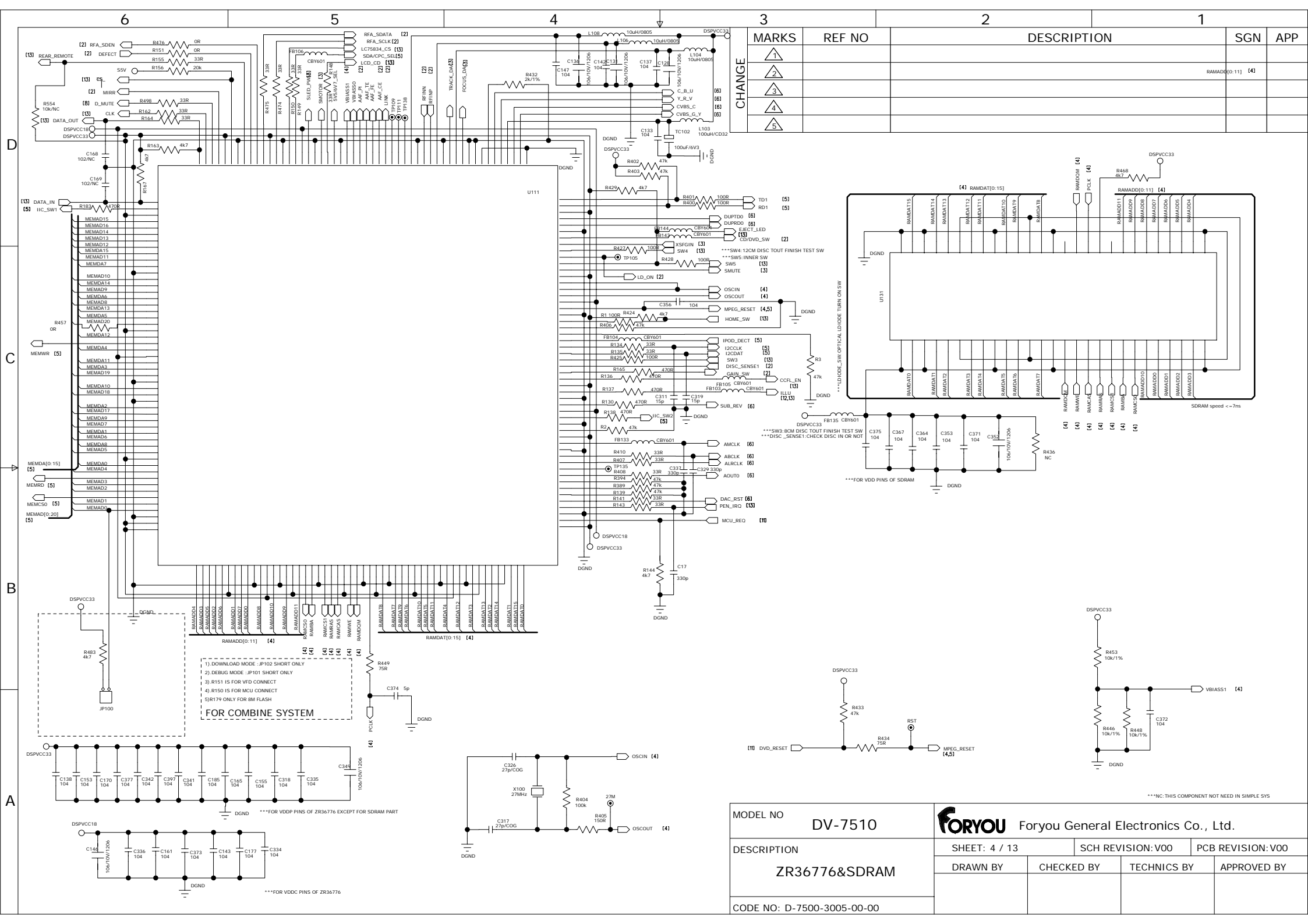
MODEL NO	DV-7510			 <b>Foryou General Electronics Co., Ltd.</b>	
DESCRIPTION	FRONT END		SHEET: 2 / 13		SCH REVISION:V00
CODE NO: D-7500-3005-00-00	DRAWN BY	CHECKED BY	TECHNICS BY	APPROVED BY	

CHANGE	MARKS	REF NO	DESCRIPTION	SGN	APP
	1				
	2				
	3				
	4				
5					

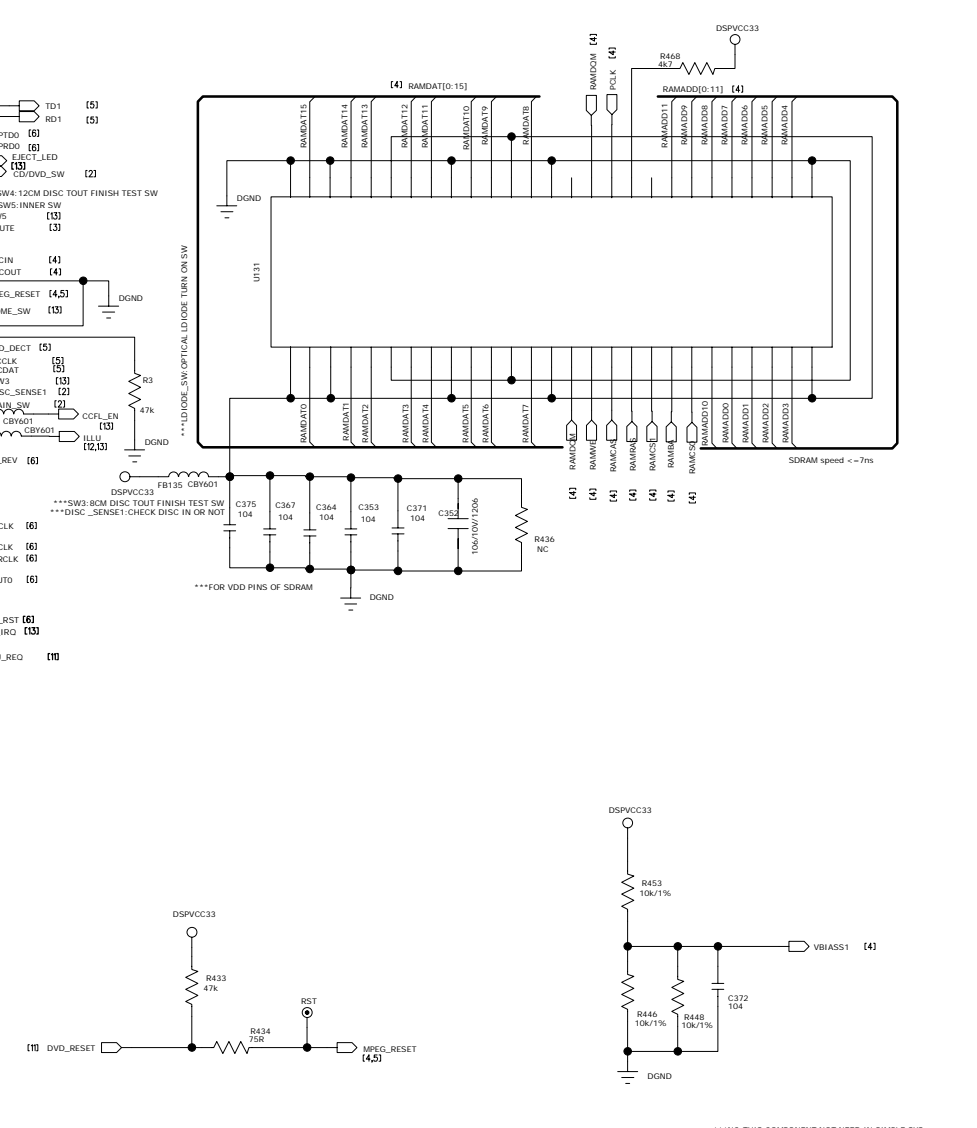


1) NC: THIS COMPONENT NOT NEED IN SAMPLE SYSTEM  
 2) R238, R250, R235 ARE FOR OTHER SYSTEM

MODEL NO	DV-7510			 <b>Foryou General Electronics Co., Ltd.</b>
DESCRIPTION	SHEET: 3 / 13	SCH REVISION: V00	PCB REVISION: V00	
MOTOR DRIVER	DRAWN BY	CHECKED BY	TECHNICS BY	APPROVED BY
CODE NO: D-7500-3005-00-00				



MARKS	REF NO	DESCRIPTION	SGN	APP
1				
2				
3				
4				
5				



- FOR COMBINE SYSTEM**
- 1) DOWNLOAD MODE : JP102 SHORT ONLY
  - 2) DEBUG MODE : JP101 SHORT ONLY
  - 3) R151 IS FOR VFD CONNECT
  - 4) R150 IS FOR MCU CONNECT
  - 5) R179 ONLY FOR 8M FLASH

MODEL NO	DV-7510		
DESCRIPTION	ZR36776&SDRAM		
CODE NO:	D-7500-3005-00-00		
	SHEET: 4 / 13	SCH REVISION: V00	PCB REVISION: V00
	DRAWN BY	CHECKED BY	TECHNICS BY
			APPROVED BY

\*\*\*NC: THIS COMPONENT NOT NEED IN SIMPLE SYS

\*\*\*FOR VDDP PINS OF ZR36776 EXCEPT FOR SDRAM PART

\*\*\*FOR VDDC PINS OF ZR36776





6

5

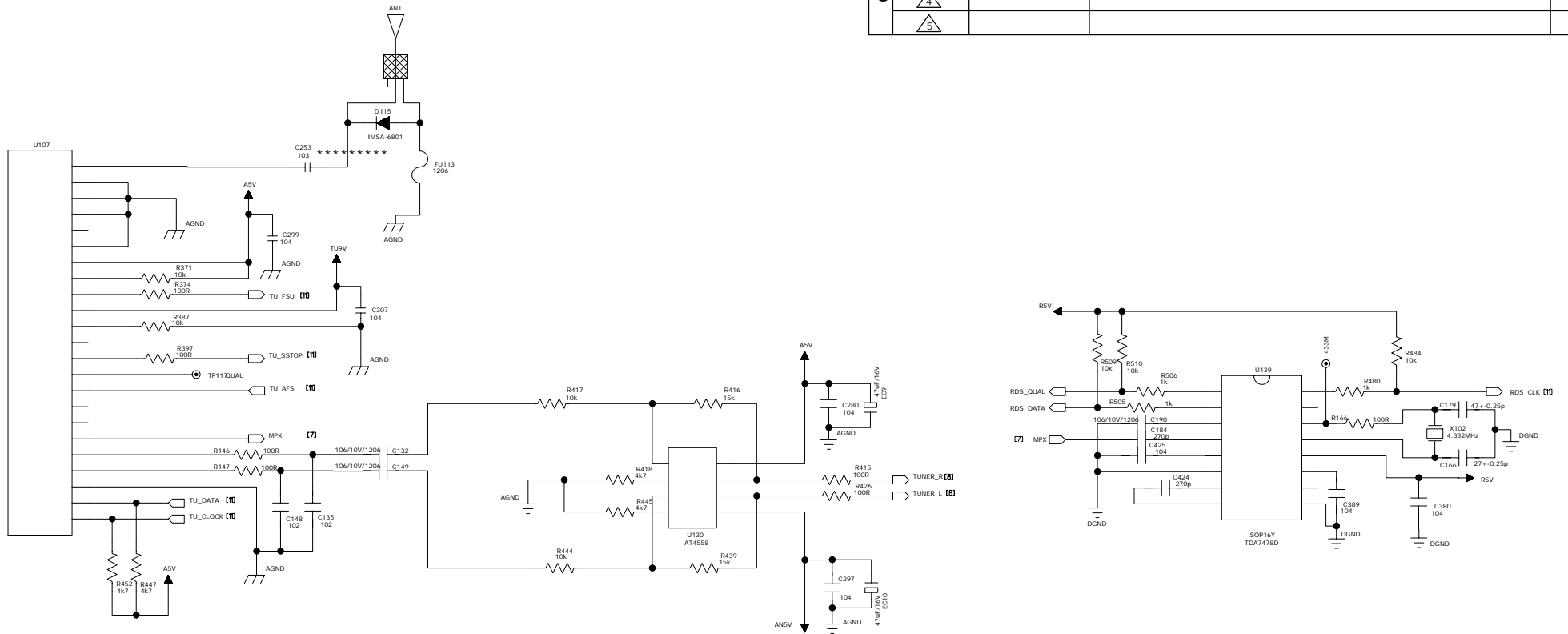
4


3

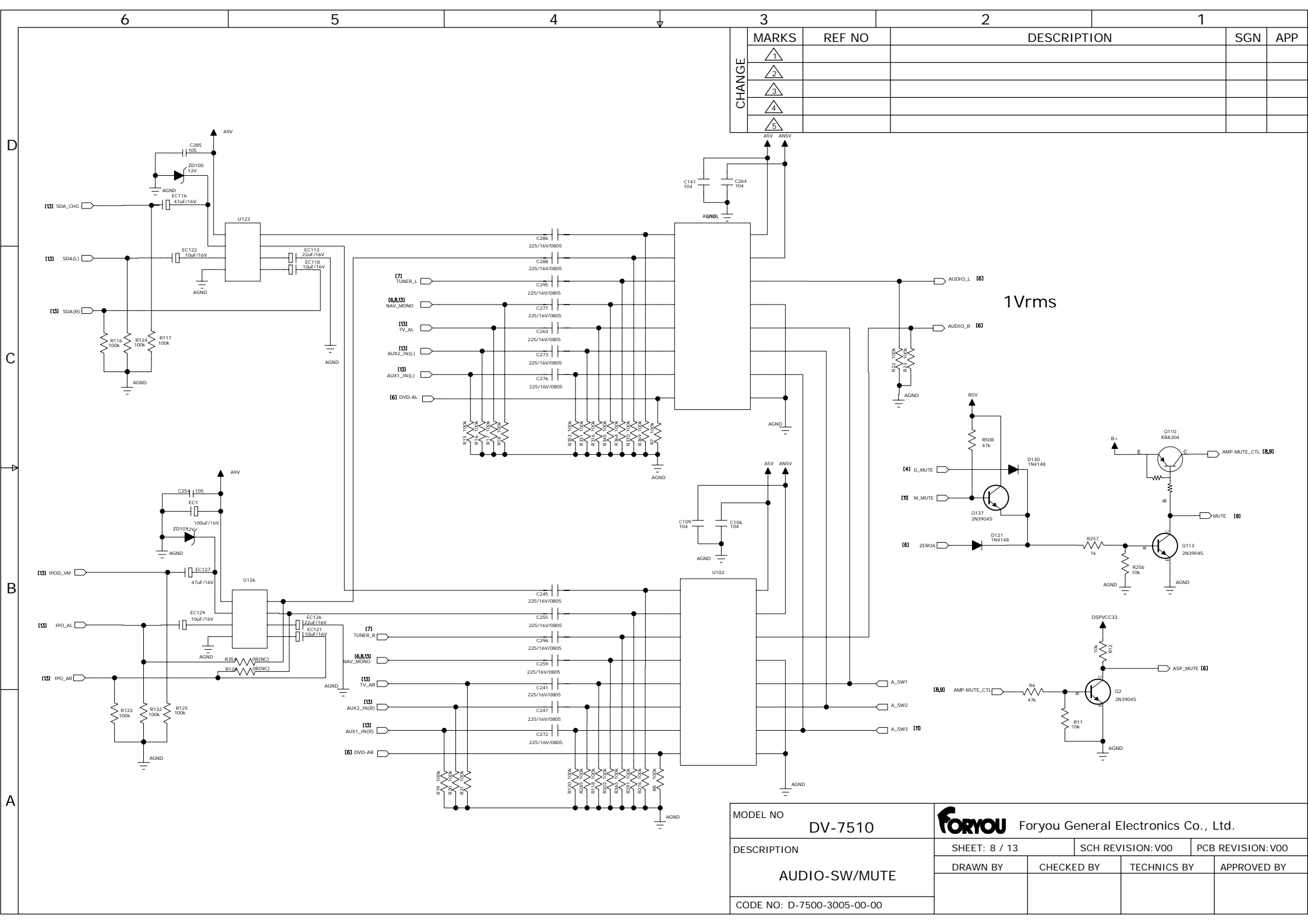
2

1

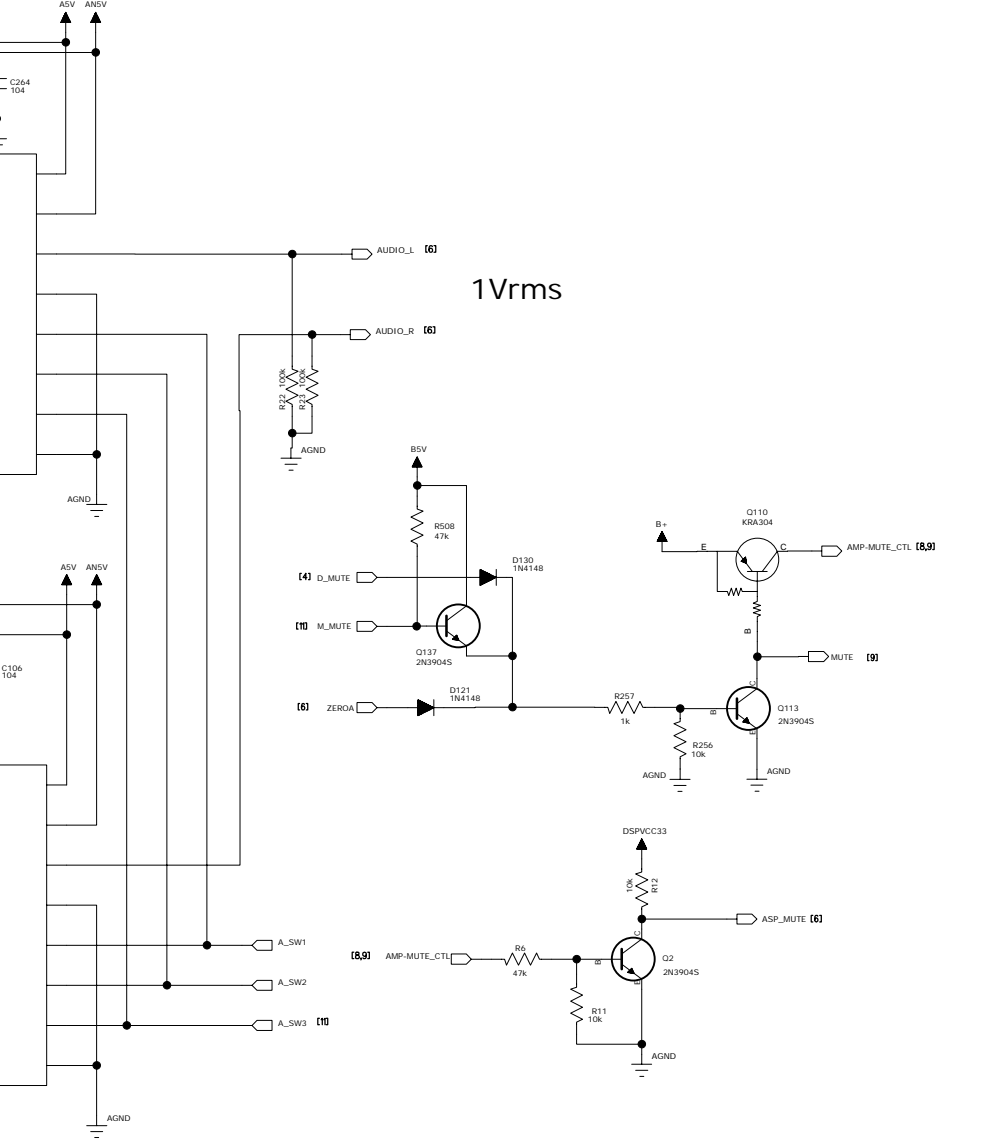
CHANGE	MARKS	REF NO	DESCRIPTION	SGN	APP
	1				
	2				
	3				
	4				
	5				



MODEL NO	DV-7510		 Foryou General Electronics Co., Ltd.			
DESCRIPTION	SHEET: 7 / 13		SCH REVISION:V000	PCB REVISION:V00		
	TUNER/RDS		DRAWN BY	CHECKED BY	TECHNICS BY	APPROVED BY
CODE NO: D-7500-3005-00-00						



MARKS	REF NO	DESCRIPTION	SGN	APP
1				
2				
3				
4				
5				



MODEL NO	DV-7510
DESCRIPTION	AUDIO-SW/MUTE
CODE NO:	D-7500-3005-00-00

<b>FORYOU</b> Foryou General Electronics Co., Ltd.			
SHEET: 8 / 13	SCH REVISION: V00	PCB REVISION: V00	
DRAWN BY	CHECKED BY	TECHNICS BY	APPROVED BY

6

5

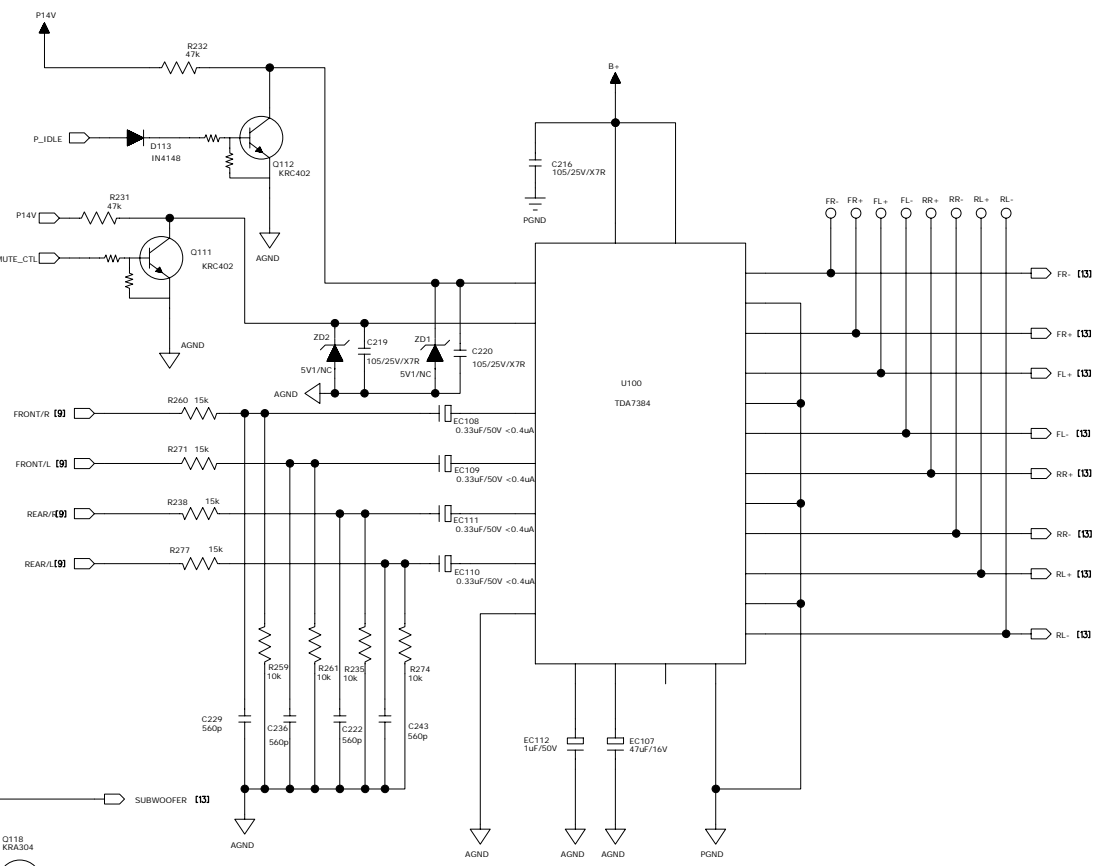
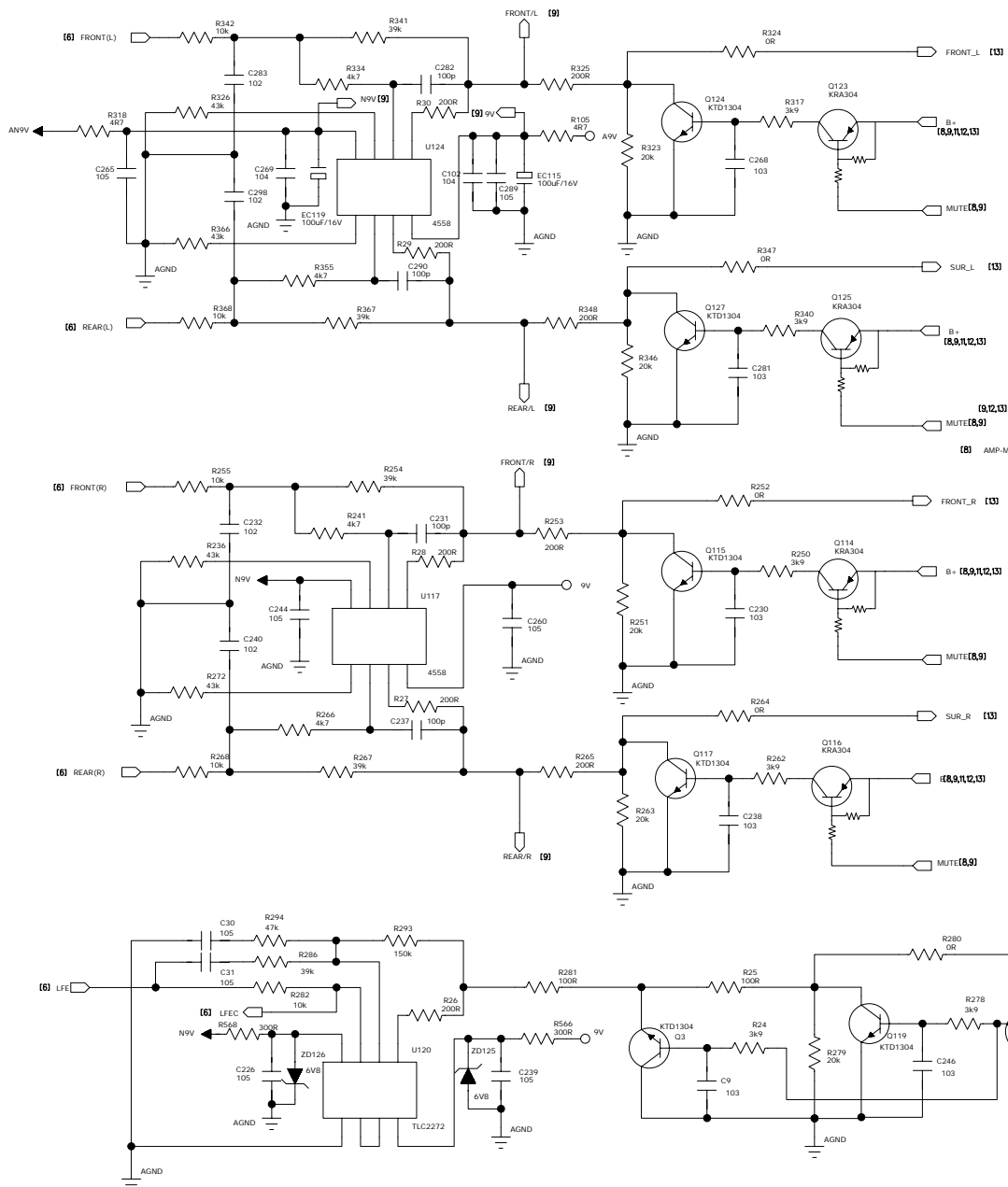
4

3

2

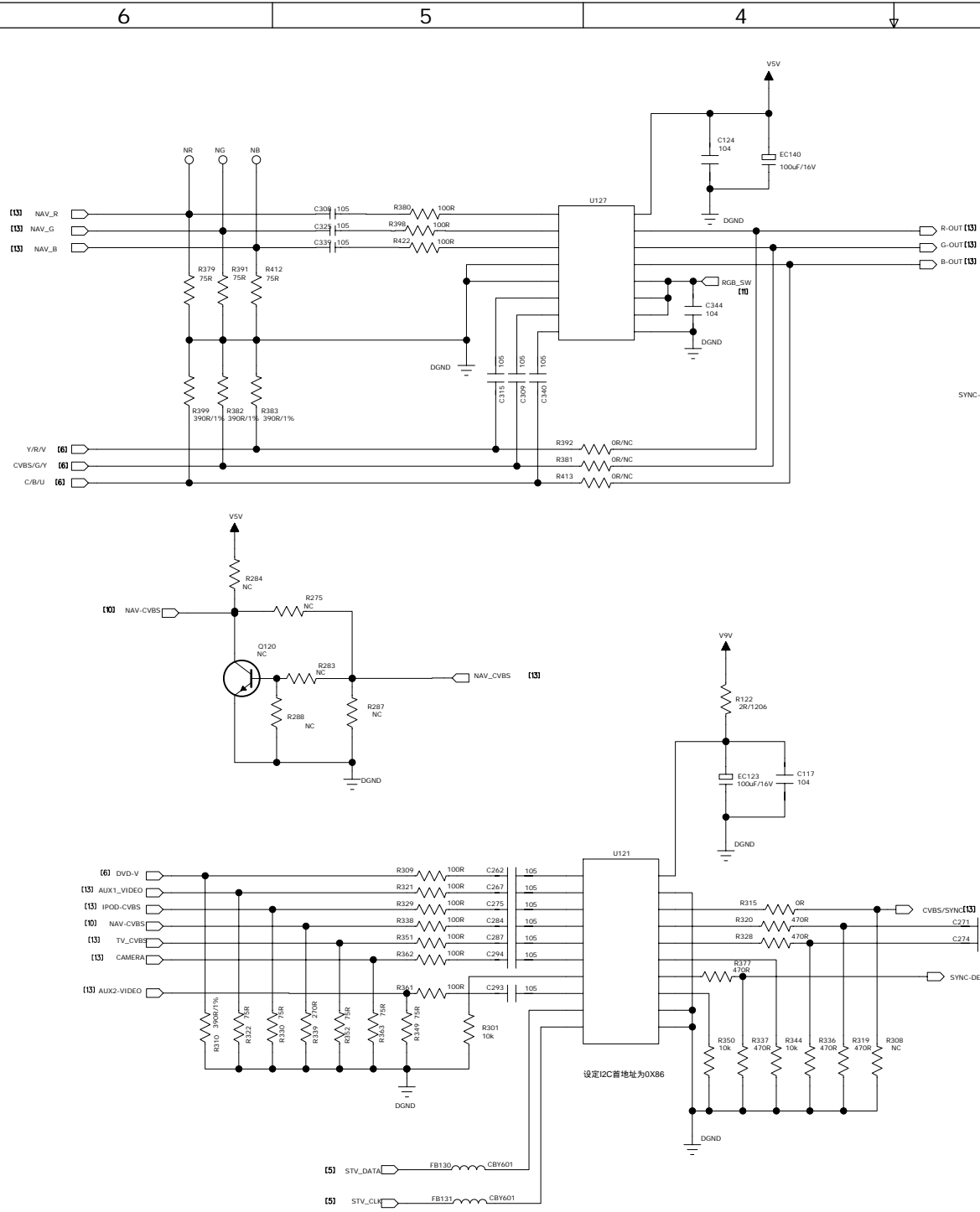
1

CHANGE	MARKS	REF NO	DESCRIPTION	SGN	APP
	1				
	2				
	3				
	4				
5					

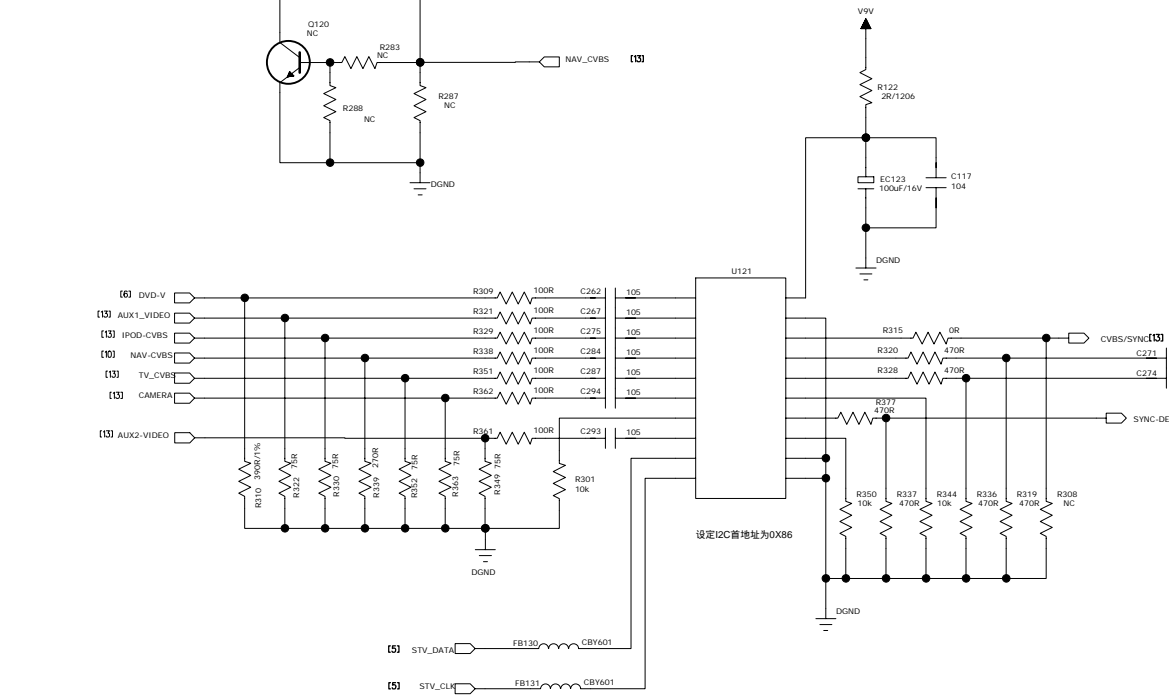
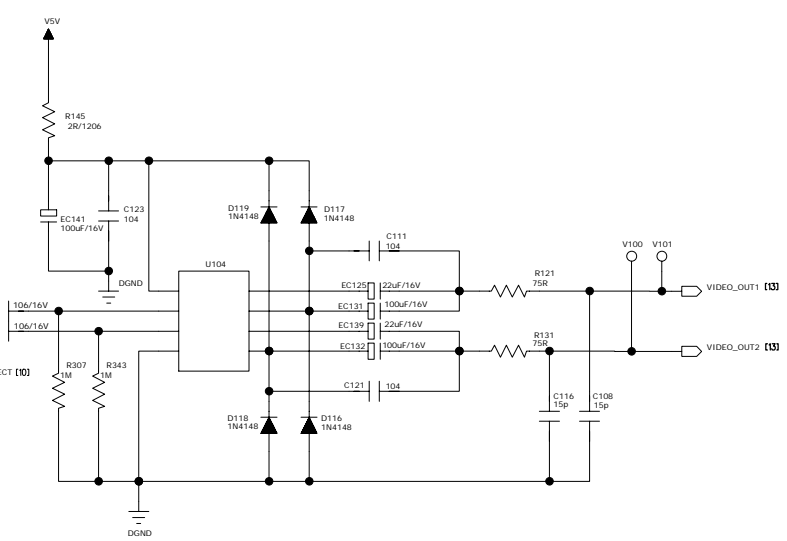
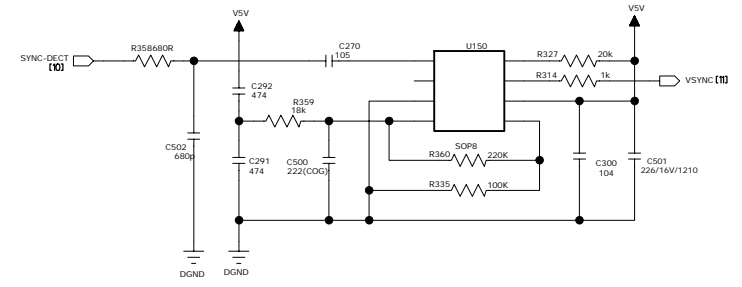


MODEL NO	DV-7510			<b>Foryou General Electronics Co., Ltd.</b>	
DESCRIPTION	SHEET: 9 / 13		SCH REVISION: V00	PCB REVISION: V00	
LINEOUT/PWR-AMP	DRAWN BY	CHECKED BY	TECHNICS BY	APPROVED BY	
	CODE NO: D-7500-3005-00-00				



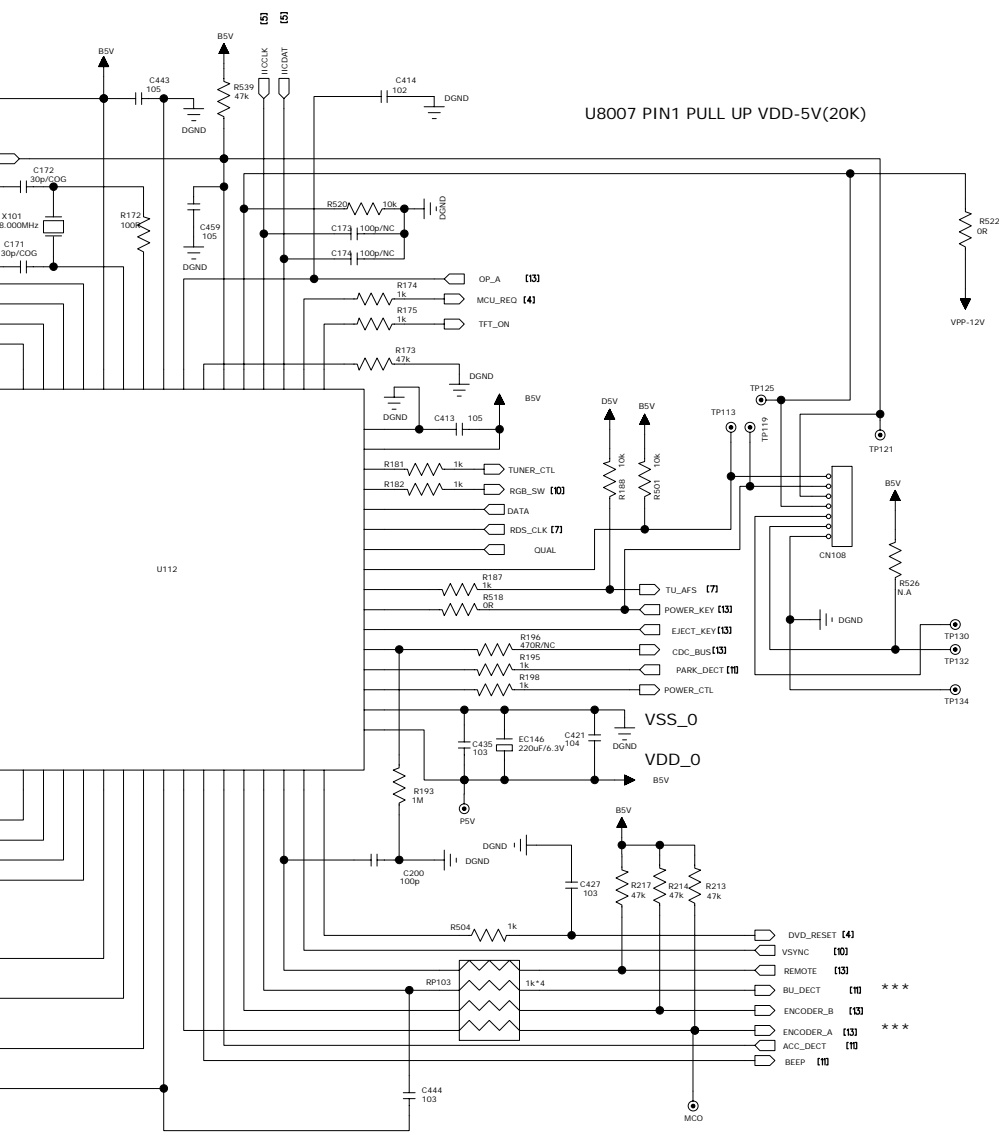
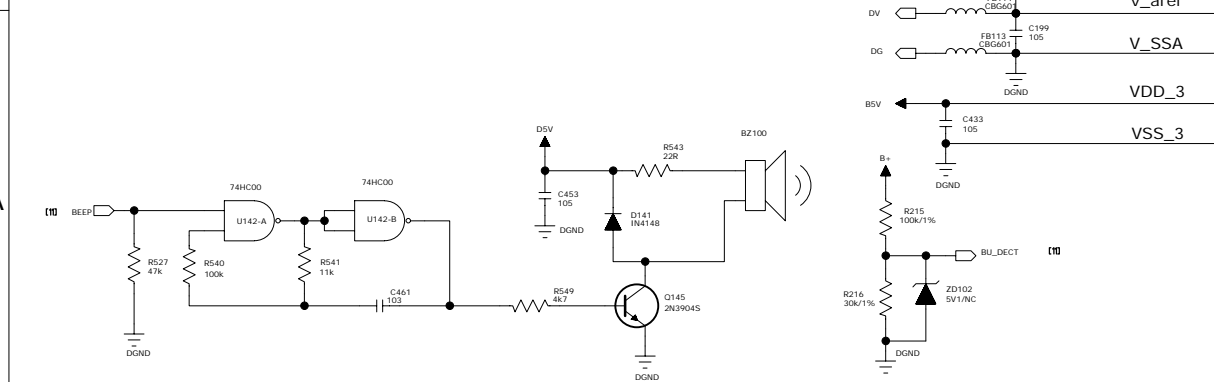
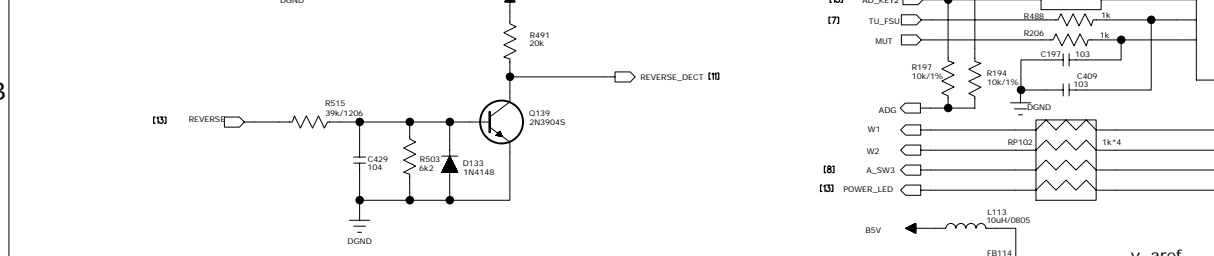
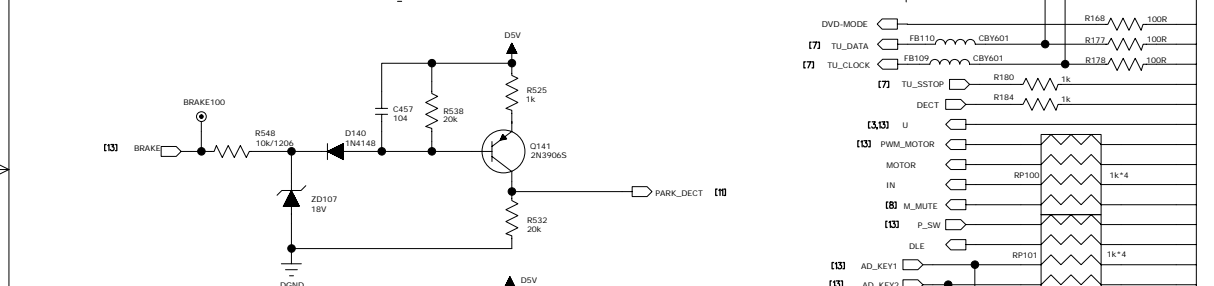
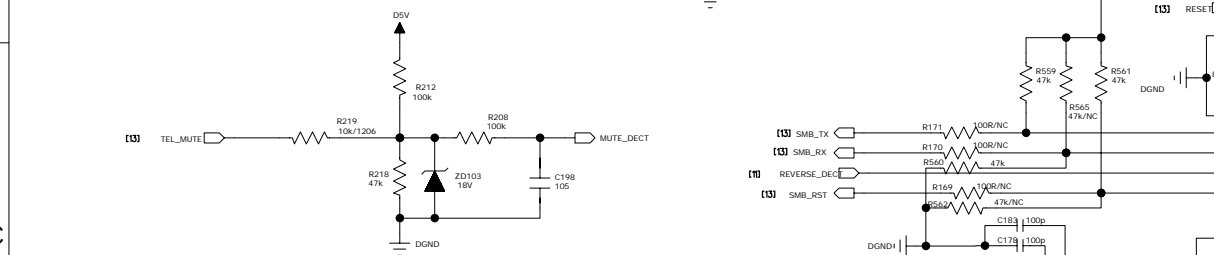
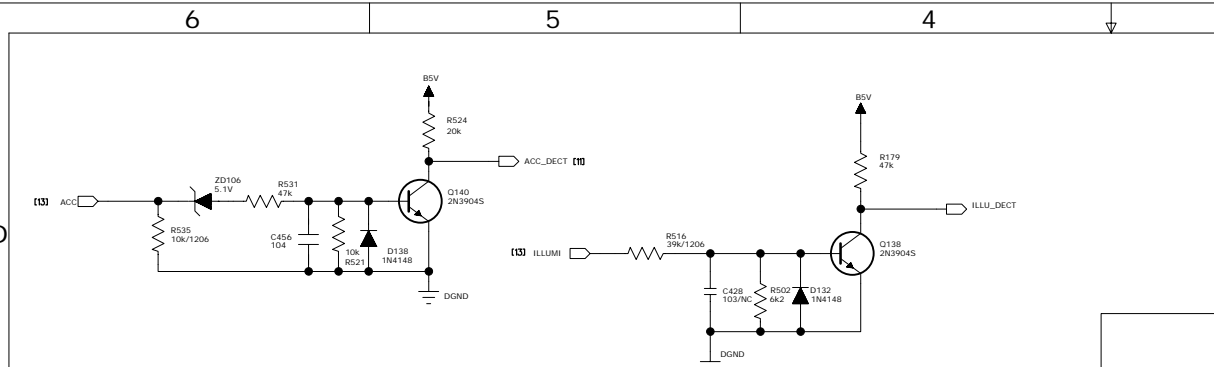


MARKS	REF NO	DESCRIPTION	SGN	APP
1				
2				
3				
4				
5				



MODEL NO	DV-7510		<b>FORYOU</b> Foryou General Electronics Co., Ltd.	
DESCRIPTION	VIDEO		SHEET: 10 / 13	SCH REVISION: V00
	DRAWN BY	CHECKED BY	TECHNICS BY	APPROVED BY
CODE NO: D-7500-3005-00-00				

CHANGE	MARKS	REF NO	DESCRIPTION	SGN	APP
	1				
	2				
	3				
	4				
5					



U8007 PIN1 PULL UP VDD-5V(20K)

MODEL NO	DV-7510
DESCRIPTION	MCU
CODE NO:	D-7500-3005-00-00

Foryou General Electronics Co., Ltd.			
SHEET: 11 / 13	SCH REVISION: V00	PCB REVISION: V00	
DRAWN BY	CHECKED BY	TECHNICS BY	APPROVED BY



