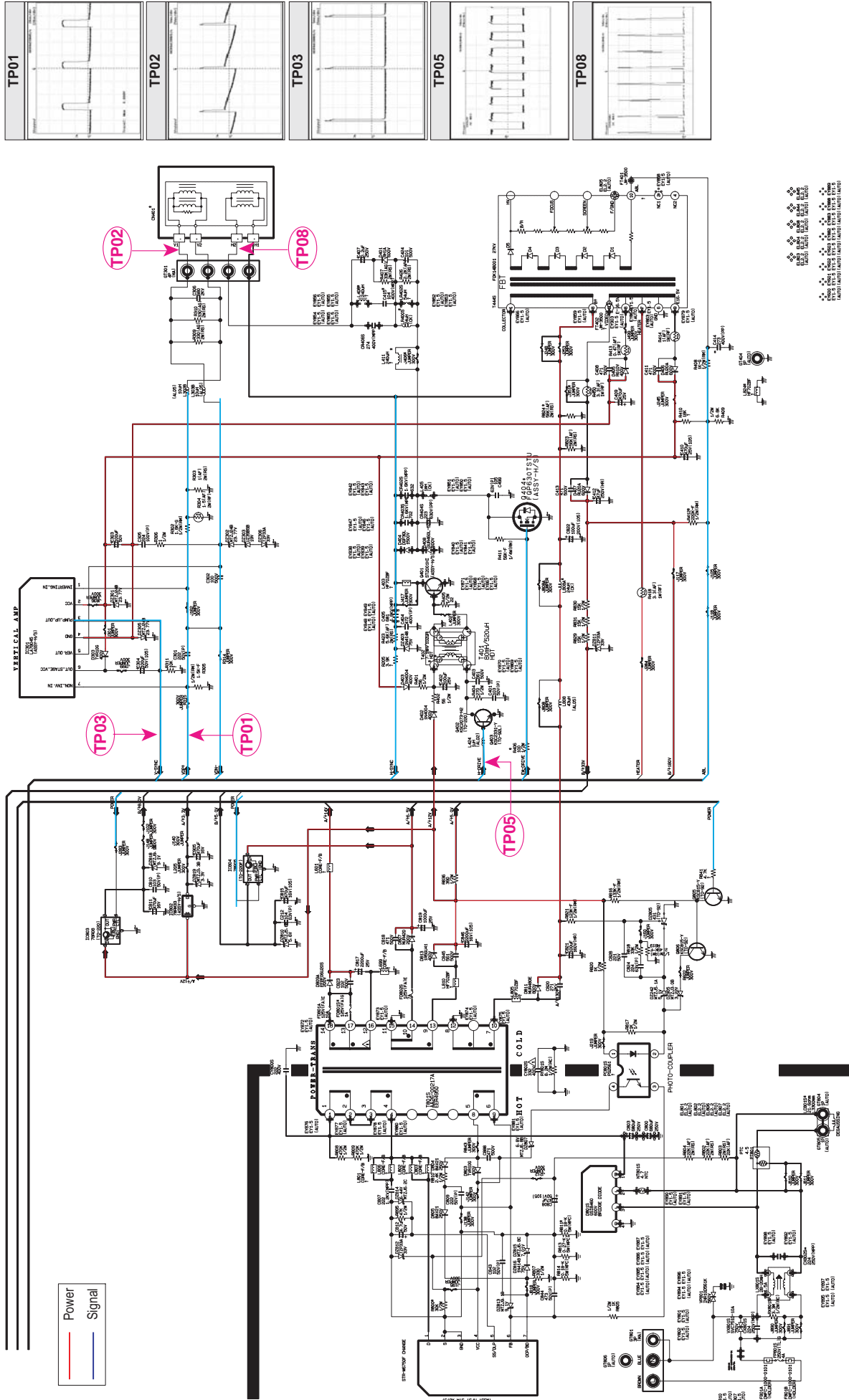


# 10. Schematic Diagram

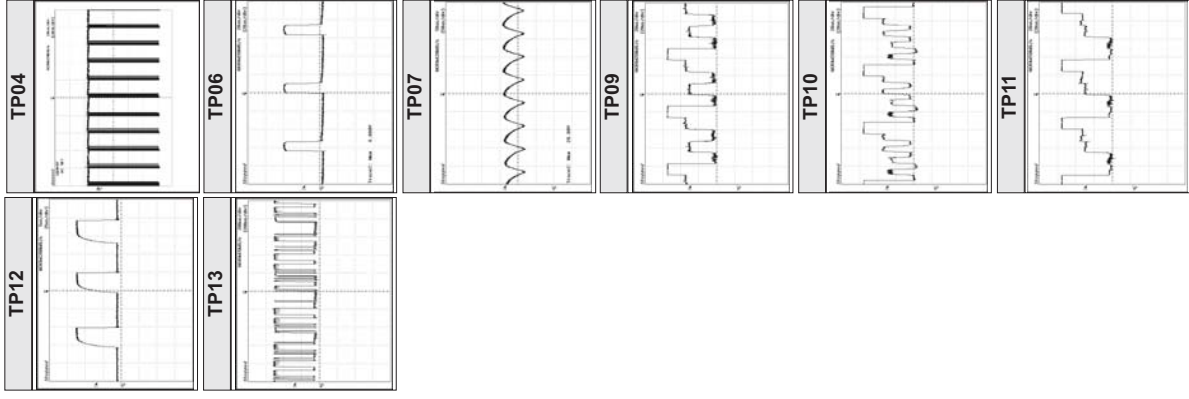
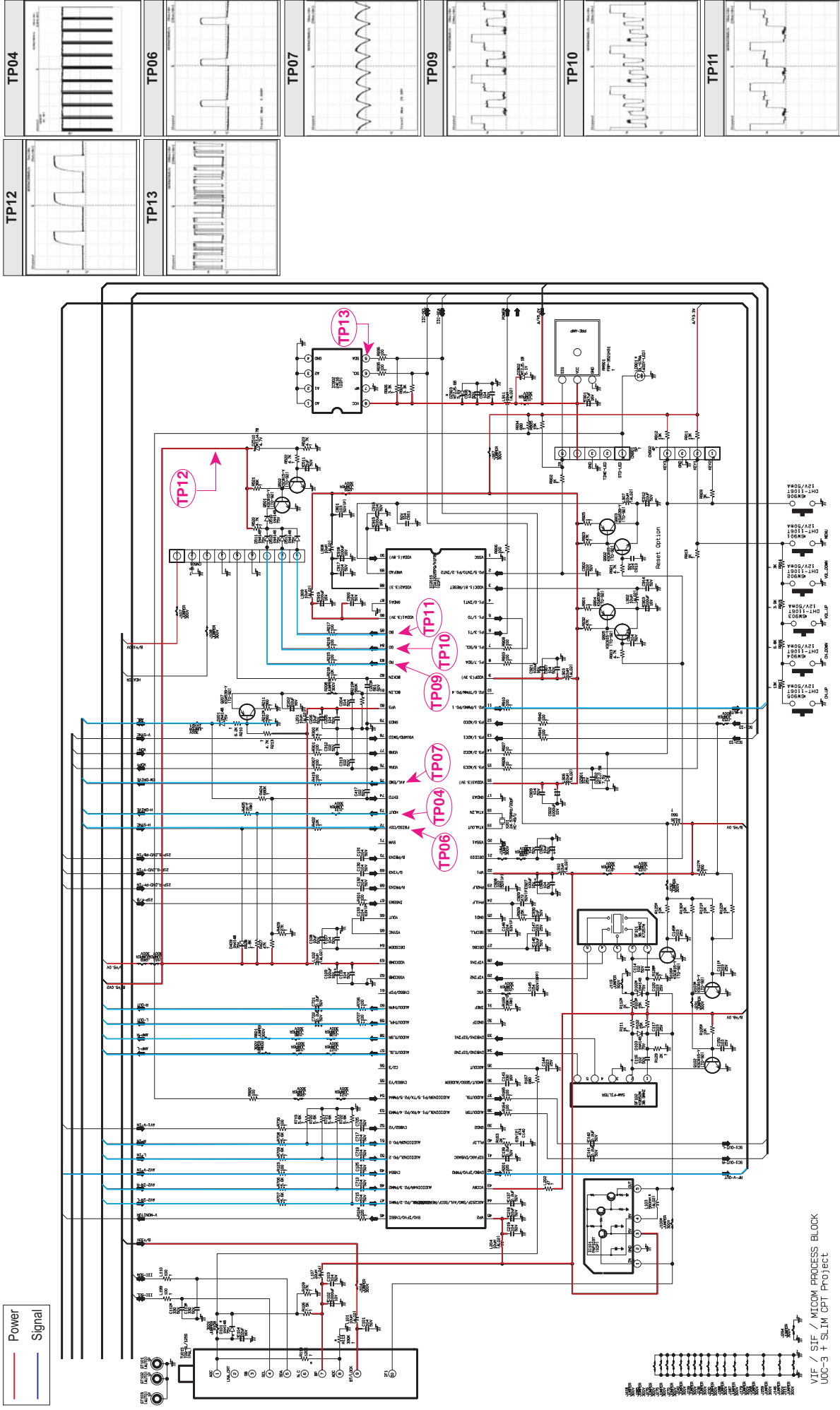
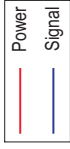
## 10-1 Power

This Document can not be used without Samsung's authorization.



### 10-2 Main

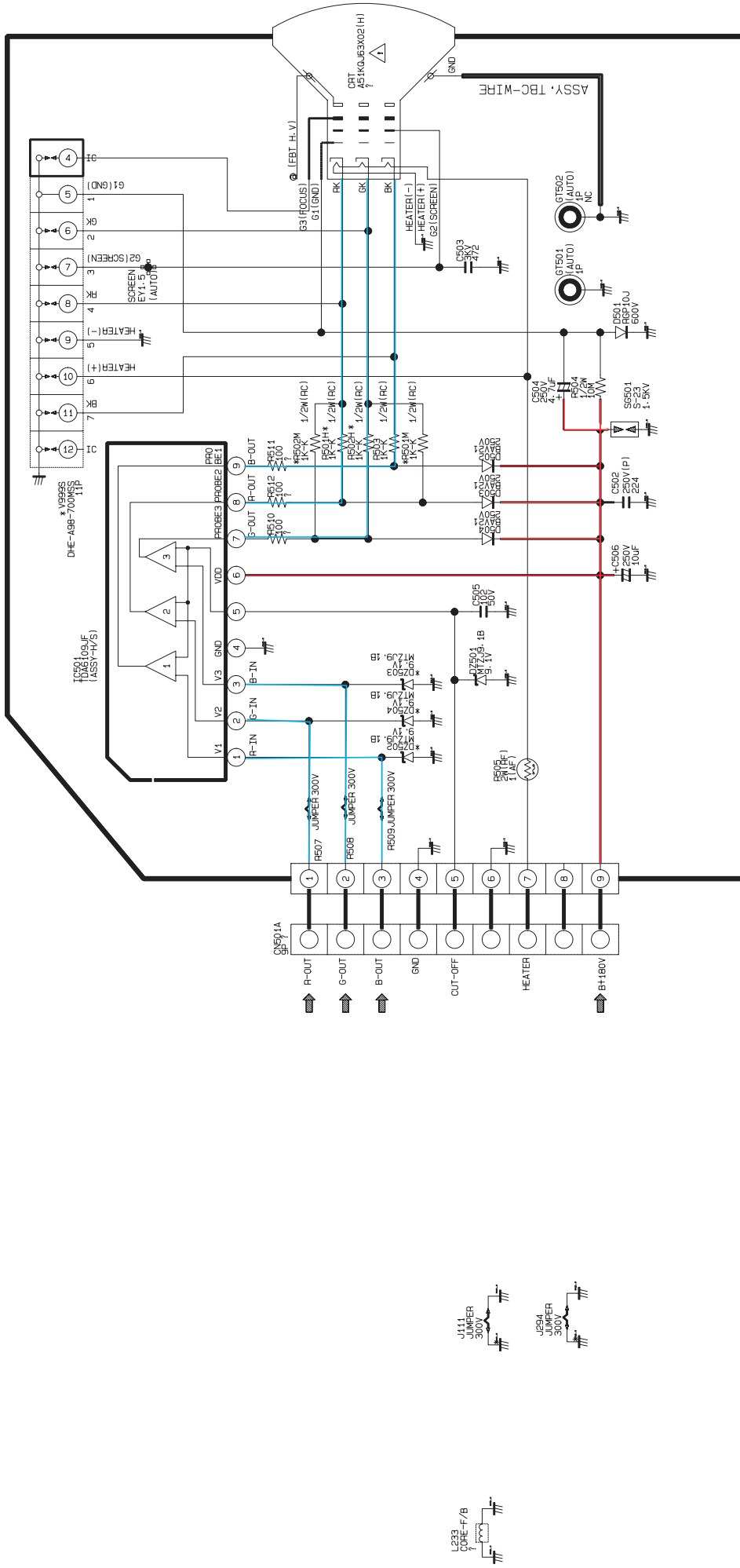
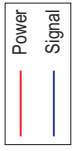
This Document can not be used without Samsung's authorization.



VTF / SIF / MICOM PROCESS BLOCK  
UCC-3 + SLIM CPT Project

### 10-3 CRT

This Document can not be used without Samsung's authorization.



### 10-4 Sound

This Document can not be used without Samsung's authorization.

